

'LH' TORANA

Parts Catalogue

EFFECTIVE: SEPTEMBER, 1975
 CATALOGUE NO. M37687 (Supersedes M37459
 M37536 - L34 OPTION)

ISBN NO. 0 909989 49 4
 Printed in Australia.

CONTENT

INTRODUCTION - MODEL IDENTIFICATION

INDEX - ALPHABETICAL

INDEX - ILLUSTRATIONS

CHASSIS

ENGINE - CLUTCH	0.000
COOLING - GRILLE - OILING	1.000
ELECTRICAL - INSTRUMENTS	2.000
FUEL - EXHAUST - CARBURETTOR	3.000
TRANSMISSION. BRAKE CONTROL.	4.000
BRAKE OPERATING. REAR AXLE & DRIVE	5.000
FRONT SUSPENSION. STEERING.	6.000
FRAME - SPRINGS - BUMPERS	7.000
SHEET METAL	8.000
ACCESSORIES. AIR CONDITIONER - HEATER	9.000

BODY

WINDSHIELD. DOOR HARDWARE - GLASS	10.000
REAR GLASS. SEAT & ADJUSTER	11.000
MOULDINGS & CLIPS. SHEET METAL	12.000
BODY WIRING HARNESS	13.000
INTERIOR TRIM	14.000
REAR TRIM - MATS - CARPETS	15.000

INDEX - NUMERICAL

COPYRIGHT - GENERAL MOTORS-HOLDEN'S PTY. LTD.
 Reproduction in whole or in part prohibited without written approval.

introduction

This Holden Torana Parts Catalogue has been compiled to cover Replacement Parts, Kits and Accessories applicable to the 'LH' Series.

CONTENTS:

Parts and Accessories Catalogued, are arranged as follows:—

Introduction	
Model/Series Identification	
Alphabetical Index	
Illustration Index	
Chassis Parts Listing Groups	0.00 – 9.787
Body Parts Listing Groups	10.001 – 15.520
Numerical Index	

GROUP SYSTEM AND HOW TO LOCATE PARTS:

The Group System used is identical with that operating throughout the General Motors Organisation and briefly is as follows:—

Main units of the car are identified by the Numeral preceding the Decimal, i.e.,

Engine	0
Cooling and Oiling	1.
Electrical	2.
Fuel System	3.

Individual Parts are assigned a Group Number, the first Numeral identifying the Main Unit with which it is affiliated. Following the Decimal is the Sub-Group Number, under which all parts of the same name and function are listed; for instance: Group 0.096: "0" indicates that it is an Engine part. "096" is the location where all Part Numbers of Crankshaft Front Bearing Units now being serviced may be found.

To locate the listing of a Part, determine the model vehicle and refer to the Catalogue under the Group Number identifying it, which may be determined by using any of the following three methods:

1. Consult Alphabetical Index, at front of Catalogue, which lists Parts by noun and descriptive names and refers to the exact Group Number where all Parts of similar kind may be found. If Name of desired Part is not readily found in the Index, a co-related Part Name will suggest approximate location.
2. Consult Illustrations in this publication, on which Group Numbers, Part Numbers and Noun Names are shown, which will refer to the Part or Assembly required.
3. Consult Numerical Index if a Part Number is known, and use its Group Number to locate a similar part, or be directed to the approximate location of co-related Parts.

OPTION EQUIPMENT and HOW TO INTERPRET:

As optional equipment which includes items such as Engines, Transmissions, Brakes, Seats together with alternate types and colours of interior trim is available to the customer's choice the cataloging of replacement parts, where differences exist, has been achieved by stipulating the type of equipment against the specific part. (Refer Production Option Codes - Page).

The method used to indicate major units or equipment is as follows:-

ENGINE:- 4 Cylinder. Further qualified if necessary.
6 Cylinder. Further qualified if necessary.
8 Cylinder. Further qualified if necessary.

Additional identification, if required, is provided by reference to the Rocker Cover/Air Cleaner Transfer or Engine No. Prefix - Refer Engine Identification and Specifications.

TRANSMISSION:

(M) - Manual Transmission Further qualified if necessary.
(A) - Automatic Transmission. Further qualified if necessary.

BRAKES:

Drum Brakes - Drum brakes on all wheels.
Power Brakes - Drum brakes on all wheels, power assisted.
Power brake qualification added only when necessary to differentiate from un-assisted Drum Brakes.
Disc Brakes - Disc brakes on front wheels, drum brakes on rear wheels.

BODY:

Body Style Number is:- 69 Four Door Sedan.

SEATS:

Bench Seats - Single full width front seat.
Bucket Seats - Twin front seats, Reclining.

DIMENSIONS:

When using the dimensions and other data shown in the Description Column the following should be noted:

1. "Length overall" refers to the total length of a part measured over the longest dimension. An irregular shaped piece is measured over the longest dimension regardless of contours and bends.
2. "dev. length" (Developed length) refers to the total length of a part such as a tail pipe or fuel pipe measured as though the pipe were straightened out. This measurement can be taken on formed pipes by using a string to follow the contours of the pipe and then measuring the length of string used.
3. "I.D." refers to inside diameter; "O.D." refers to outside diameter; "O.S." refers to oversize; "U.S." refers to undersize.

ILLUSTRATIONS:

Illustrations are included to assist in the identification of Parts, but as some parts which perform a similar function vary in detail of design etc., all illustrations should be regarded as typical. Views of Assemblies/Sections are exploded, all visible Parts are referenced by number to show the Part Name and Group. Therefore, once a Part is located in an illustration, it may be positively identified by referring to the Group in which it is listed.

In some instances, certain Parts appear on an illustration as "N.S.S." (Not Serviced Separately) or "N.L.S." (No Longer Serviced), unless these items are in current production, as a rule they cannot be obtained.

GROUP SYSTEM AND HOW TO LOCATE PARTS (Cont'd)

SPECIAL NOTE – SIDE:

Provision is made between the "Description/Model and Part No." columns to indicate when the item is for fitment to the LH (Left Hand) or RH (Right Hand) side of the vehicle. These letters are NOT a prefix to the Part Number and MUST NOT be quoted as such.

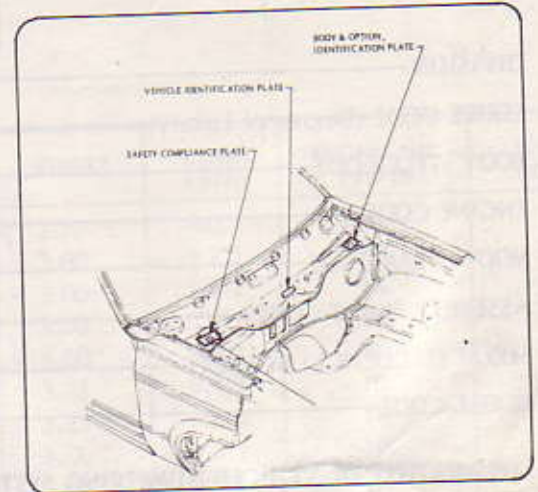
REPLACEMENT PARTS INTERPRETATION:

Plates attached to Passenger Vehicles carry coded information which could be significant in part interpretation.

LOCATION OF IDENTIFICATION PLATES

Plates are attached to the top ledge of the Dash Panel under the Engine Hood, Refer Illustration opposite.

- A. Safety Compliance Plate
- B. Vehicle Identification Plate
- C. Body Identification Plate



SAFETY COMPLIANCE PLATE (Not Applicable to Export)

Plate stamped with the following information:—
 Australian Design Rule Numbers. (A.D.R.)
 Vehicle Make – Holden
 Vehicle Model Name and Style
 Month and Year of Manufacture
 Vehicle Serial Number
 Seating Capacity of Vehicle

THIS VEHICLE WAS MANUFACTURED BY
 GENERAL MOTORS-HOLDEN'S PTY. LTD.
 TO COMPLY WITH AUSTRALIAN DESIGN RULES-NOS.

1, 2, 3, 4A, 5B, 6, 7, 8, 9, 10B, 11, 12, 14, 15,
 16, 18, 20, 21, 22, 23, 24, 25, 27, 28

HOLDEN
LH TORANA SEDAN 4 DOOR

5-75
 GVW

LBS

BLH 039414M
 SEATING CAP. 5

THIS PLATE IS AFFIXED WITH THE APPROVAL OF THE
 AUSTRALIAN MOTOR VEHICLE CERTIFICATION BOARD.

BODY IDENTIFICATION PLATE

Plate stamped with the following information:—
 Model, Body Serial Number
 Trim, (Catalogue purposes e.g. 19V), Paint
 Production option numbers for Engine
 Transmission and Rear Axle Numbers
 M – Assembly Plant Codes:—

- A – Adelaide
- B – Brisbane
- S – Sydney
- M – Melbourne

GENERAL MOTORS-HOLDEN'S PTY. LTD.
 CORRESPONDENCE MUST BEAR THESE NUMBERS

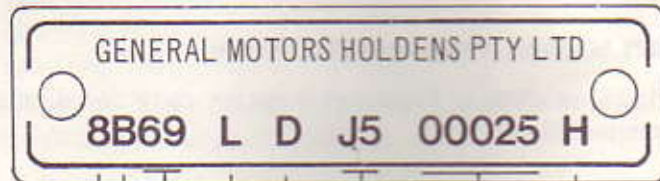
MODEL: A LH 8VC69
 BODY No. 447630 M
 TRIM: 1879-19V
 PAINT: 567-15821
 TOP: 568-13134

ENG. L20 TRANS. M40 RR. AXLE GUB
 MADE IN AUSTRALIA

REPLACEMENT PARTS INTERPRETATION (Cont'd)

MODEL IDENTIFICATION BY V.I.N. PLATE:

The Vehicle Identification Numbering System (V.I.N.) is based on the uniform Car Model Designation System. The reason for this is to identify the vehicle entirely in one coded series of fourteen characters.



- DIVISION _____
- SERIES CODE (Degree of Luxury) _____
- BODY STYLE CODE _____
- ENGINE CODE _____
- MODEL YEAR CODE _____
- ASSEMBLY PLANT CODE _____
- SERIAL (SEQUENCE) NUMBER _____
- MODEL CODE _____

EXPLANATION OF VEHICLE NUMBERING SYSTEM

The significance of these characters or blocks of characters is explained below, using as an Example Identification Number 8B69 LDJ 500025H.

1st. Character	8	Standard Numeral Allocation to GMH Pty. Ltd.
2nd. Character	B	Degree of Luxury:— 'B' — 6 or 8 Cyl. 'S' 'C' — 6 or 8 Cyl. 'SL' 'D' — 6 or 8 Cyl. 'SLR' 'G' — 4 Cyl. 'S'
3rd. & 4th. Character	69	Standard Body Style Identification '69' — All 4 Door Sedan Body Styles
5th. Character	L	Engine Identification Code (Refer Engine Identification Page 7)
6th. Character	D	Identifies Model Year. This Letter changes September 1st. each year and relates to GM Internal Operations only:— D—1974, E—1975
7th. & 8th. Character	J5	Australian Assembly Plant Identification Code:— H1 thru H4 — Brisbane H5 thru H9 — Sydney J1 thru J9 — Dandenong L1 thru L5 — Adelaide
9th. thru 13th. Character	00025	Sequential Production Serial. This Designates the Serial Unit Number at each Vehicle Assembly Plant, starting at (0001); and to continue in Numerical Sequence regardless of Vehicle Type
14th. Character	H	GMH PTY. LTD. Model Code Designation for each Model Programme For Example:— Torana 'LH' Programme — H

HOLDEN "LH" PARTS CATALOGUE

REPLACEMENT PARTS INTERPRETATION (Cont'd)

ENGINE SERIAL NUMBER STAMPING LOCATION

L4 – On Pad at LH side of Engine below No. 2 Spark Plug
Example:– 19S – V0003823Y

L6 – On Pad above Engine Mounting Bosses RH side of Engine

V8 – On Pad at top front LH side of Cylinder Case.

ENGINE IDENTIFICATION and SPECIFICATIONS

† TRANSFER ON ROCKER COVER ON AIR CLEANER	TYPE	BORE	STROKE	COMP. RATIO	ENGINE NO. PREFIX	IDENT. CODE
1900	L4	3.66"	2.75"	9.0:1	*	Y
2250	L6	3.125"	3.00"	9.2:1	HB	B
Low Compression 2250	L6	3.125"	3.00"	7.8:1	HC	C
2850	L6	3.50"	3.00"	9.4:1	HD	D
Low Compression 2850	L6	3.50"	3.00"	8.3:1	HE	E
3300	L6	3.62"	3.25"	9.4:1	HL	L
Low Compression 3300	L6	3.62"	3.25"	7.8:1	HM	M
4.2 Litre	V8	3.62"	3.06"	9.0:1	HR	R
5 Litre	V8	4.00"	3.06"	9.0:1	HT	T
(34 Option) 5 Litre	V8	4.00"	3.06"	9.8:1	HZ	Z
† Transfers deleted on later Production Vehicles						
* Engine No. Suffix 'Y'						

TRANSMISSION SERIAL NUMBER LOCATION

TRI-MATIC: Plate attached to lower front, left side of
Transmission Case.

INTERIOR TRIM

All items of trim are identified by a part number consisting of a basic number which identifies the item and a suffix consisting of alphabetical symbols which denotes the colour, e.g.,

BASIC NO.	SUFFIX	COMPLETE NO.
9931477	DC	9931477DC

To interpret trim requirements it is necessary to determine the model and trim number from the Body Identification Plate attached to the top ledge of the dash panel under the engine hood, also the type of seats etc., fitted with the exception of door trims, seat cushions and back covers. refer Model and Trim Combination Number to the 'Trim Colour Chart' on Page 9, to establish the specific colour name.

Trim Numbers will be allocated to identify trim colour only and will not indicate trim design requirements. The colour will be predicted by the colour of the vinyl used in seat construction.

Separate numbers will be allocated for vinyl and vinyl/cloth combinations.

The codes will consist of 2 numeric characters and one alphabetical character established as follows:

Characters 1 & 2

Will identify colour family and shade

The first digit will identify the colour family and the second digit the shade.

Shade numbers will be allocated from light to dark in ascending number order.

00-09 Open	50-59 Yellow - Gold
10-19 Neutral	60-69 Brown - Beige - Orange
20-29 Blue	70-79 Pink - Red - Plum
30-39 Aqua - Turquoise	80-89 Miscellaneous
40-49 Green	90-99 Firemist Metallic.

Character 3

Will identify as a Vinyl and Vinyl/Cloth combinations

'V' will indicate Vinyl

'X','Y' will indicate Vinyl and Cloth.

Shown below as examples are the combination numbers allocated to cover Jade Trim:-

45V	Jade Vinyl Trim
45X,45Y	Jade Vinyl and Cloth Trim

HOLDEN "LH" PARTS CATALOGUE

TRIM COLOUR CHARTS

MODEL: UG, VB

	12V	14V	18R,18S,18T 18V,18W	19V	45V	46V	60V	62V	64V	66V
BAR - Horn actuating	Black	Black	Black	Black	Black	Black	Black	Black	Black	Black
CARPET - Front & rear floor	Ash	Dark Grey	Black	Black	Jade	Juniper	Covert	Chestnut	Tan	Chestnut
HEADLINING	Ash	Dove Grey	Black	Black	Jade	Juniper	Chamois	Doeskin	Gazelle	Chestnut
HEADLINING (N)	N.A.	N.A.	Dove Grey	Ash	Chamois	Doeskin	N.A.	N.A.	N.A.	Doeskin
HOOK - Coat	Ash	Dove Grey	Black	Black	Jade	Juniper	Chamois	Doeskin	Gazelle	Chestnut
HOOK - Coat (N)	Ash	Dove Grey	Dove Grey	Ash	Chamois	Doeskin	Chamois	Doeskin	Gazelle	Doeskin
KNOB - Gearshift lever	Black	Black	Black	Black	Black	Black	Black	Black	Black	Black
KNOB - Turn signal lever	Black	Black	Black	Black	Black	Black	Black	Black	Black	Black
MAT - Front & rear floor	Ash	Dark Grey	Black	Black	Jade	Juniper	Covert	Chestnut	Tan	Chestnut
PAD - Instrument panel	Black	Black	Black	Black	Black	Black	Black	Black	Black	Black
SUN VISOR	Ash	Dove Grey	Black	Black	Jade	Juniper	Chamois	Doeskin	Gazelle	Chestnut
SUN VISOR (N)	N.A.	N.A.	Dove Grey	Ash	Chamois	Doeskin	N.A.	N.A.	N.A.	Doeskin
TRIM - Centre pillar	Ash	Dove Grey	Slate Black	Black	Jade	Juniper	Chamois	Doeskin	Gazelle	Chestnut
TRIM - Cowl panel	Dark Ash	Dove Grey	Black	Black	Jade	Juniper	Chamois	Chestnut	Gazelle	Chestnut
TRIM - Package tray	Black	Black	Black	Black	Black	Black	Black	Black	Black	Black
TRIM - Rear quarter	Ash	Dove Grey	Slate Black	Black	Jade	Juniper	Chamois	Doeskin	Gazelle	Chestnut
WHEEL - Steering	Black	Black	Black	Black	Black	Black	Black	Black	Black	Black
WINDLACE	Ash	Dove Grey	Black	Black	Jade	Juniper	Chamois	Doeskin	Gazelle	Chestnut

NOTE: (N) Neutral Colour Headlining

MODEL: UH, VC

	12V	14V,14X	18V,18X	19V,19X	45V,45X	46V,46X	60V,60X	62V,62X	63V,63X	64V,64X	66V,66X
BAR - Horn actuating	Dark Ash	Dark Grey	Black	Black	Black	Black	Covert	Chestnut	Black	Tan	Chestnut
CARPET - Front & rear floor	Dark Ash	Dark Grey	Black	Black	Jade	Juniper	Covert	Chestnut	Black	Tan	Chestnut
HANDLE - Assist grip	Ash	Dove Grey	Black	Black	Jade	Juniper	Chamois	Doeskin	Doeskin	Gazelle	Chestnut
HEADLINING	Ash	Dove Grey	Black	Black	Jade	Juniper	Chamois	Doeskin	Doeskin	Gazelle	Chestnut
HEADLINING (N)	N.A.	N.A.	Dove Grey	Ash	Chamois	Doeskin	N.A.	N.A.	N.A.	N.A.	Doeskin
KNOB - Gearshift lever	Dark Ash	Dark Grey	Black	Black	Black	Black	Covert	Chestnut	Black	Tan	Chestnut
KNOB - Turn signal lever	Dark Ash	Dark Grey	Black	Black	Black	Black	Covert	Chestnut	Black	Tan	Chestnut
PAD - Instrument panel	Dark Ash	Dark Grey	Black	Black	Black	Black	Covert	Chestnut	Black	Tan	Chestnut
SUN VISOR	Ash	Dove Grey	Black	Black	Jade	Juniper	Chamois	Doeskin	Doeskin	Gazelle	Chestnut
SUN VISOR (N)	N.A.	N.A.	Dove Grey	Ash	Chamois	Doeskin	N.A.	N.A.	N.A.	N.A.	Doeskin
TRIM - Centre pillar	Ash	Dove Grey	Slate Black	Black	Jade	Juniper	Chamois	Doeskin	Doeskin	Gazelle	Chestnut
TRIM - Cowl panel	Dark Ash	Dove Grey	Black	Black	Jade	Juniper	Chamois	Chestnut	Black	Gazelle	Chestnut
TRIM - Package tray	Dark Ash	Dark Grey	Black	Black	Black	Black	Chamois	Chestnut	Black	Tan	Chestnut
TRIM - Rear quarter	Ash	Dove Grey	Slate Black	Black	Jade	Juniper	Chamois	Doeskin	Doeskin	Gazelle	Chestnut
WHEEL - Steering	Dark Ash	Dark Grey	Black	Black	Black	Black	Covert	Chestnut	Black	Tan	Chestnut
WINDLACE	Ash	Dove Grey	Black	Black	Jade	Juniper	Chamois	Doeskin	Doeskin	Gazelle	Chestnut

NOTE: (N) Neutral Colour Headlining

MODEL: VD

	12V,12X	14V,14X,14Y	18V,18X,18Y	19V,19X	45V,45X,45Y	60V,60X,60Y	62V,62X	63V,63X	64V,64X,64Y	66V,66X
CARPET - Front & rear floor	Dark Ash	Dark Grey	Black	Black	Jade	Covert	Chestnut	Black	Tan	Chestnut
FACIA - Instrument panel	Dark Ash *	Dark Grey *	Black	Black	Black	Covert *	Chestnut	Black	Tan	Chestnut *
HANDLE - Assist grip	Ash	Dove Grey	Black	Black	Jade	Chamois	Doeskin	Doeskin	Gazelle	Doeskin
HEADLINING	Ash	Dove Grey	Black	Black	Jade	Chamois	Doeskin	Doeskin	Gazelle	Chestnut
HEADLINING (N)	N.A.	N.A.	Dove Grey	Ash	Chamois	N.A.	N.A.	N.A.	N.A.	Doeskin
KNOB - Turn signal lever	Black	Black	Black	Black	Black	Black	Black	Black	Black	Black
PAD - Instrument panel	Dark Ash *	Dark Grey *	Black	Black	Black	Covert *	Chestnut	Black	Tan	Chestnut *
SUN VISOR	Ash	Dove Grey	Black	Black	Jade	Chamois	Doeskin	Doeskin	Gazelle	Chestnut
SUN VISOR (N)	N.A.	N.A.	Dove Grey	Ash	Chamois	N.A.	N.A.	N.A.	N.A.	Doeskin
TRIM - Centre pillar	Ash	Dove Grey	Slate Black	Black	Jade	Chamois	Doeskin	Doeskin	Gazelle	Chestnut
TRIM - Cowl panel	Dark Ash	Dove Grey	Black	Black	Jade	Chamois	Chestnut	Black	Gazelle	Chestnut
TRIM - Package tray	Dark Ash	Dark Grey	Black	Black	Black	Covert	Chestnut	Black	Tan	Chestnut
TRIM - Rear quarter	Ash	Dove Grey	Slate Black	Black	Jade	Chamois	Doeskin	Doeskin	Gazelle	Chestnut
WINDLACE	Ash	Dove Grey	Black	Black	Jade	Chamois	Doeskin	Doeskin	Gazelle	Chestnut

NOTE: (N) Neutral Colour Headlining
(*) Use Black with SLR 5000

MODEL IDENTIFICATION



8UG69

CODE			INTRODUCED
8UG69	Torana 'S'	4 Door Sedan 4 Cyl.	May, 1974
8UH69	Torana 'SL'	4 Door Sedan 4 Cyl.	May, 1974

FIG. 1

CODE	INTRODUCED

FIG. 2

PRODUCED IN RIGHT HAND DRIVE AND LEFT HAND DRIVE



8VC69

CODE			INTRODUCED
• 8VB69	Torana 'S'	4 Door Sedan 6 & 8 Cyl.	March, 1974
• 8VC69	Torana 'SL'	4 Door Sedan 6 & 8 Cyl.	March, 1974
• Included in the Options available with this Model, Production Option XV1 (GPak) Refer Fig. 4.			

FIG. 3

HOLDEN "LH" PARTS CATALOGUE

MODEL IDENTIFICATION (Cont'd)



GPak

CODE

8VB69 Torana GPak 4 Door Sedan 6 Cyl.

INTRODUCED

February, 1975

FIG. 4



8VD69

CODE

- 8VD69 Torana 'SLR' 4 Door Sedan 6 & 8 Cyl.
- Included in the Options available with this Model, Production Option L34. Refer Fig. 6.

INTRODUCED

March, 1974

FIG. 5



"L34"

CODE

8VD69 Torana 'SLR' 4 Door Sedan 8 Cyl. Prod.Opt. 'L34'

INTRODUCED

July, 1974

HOLDEN "LH" PARTS CATALOGUE

PRODUCTION OPTION CHART

The following Production Option listing is included to facilitate the interpretation of Option Codes referred to by Production and Vehicle Sales.

OPTION	DESCRIPTION	OPTION	DESCRIPTION
A02	LAMINATED TINTED WINDSHIELD GLASS	L32	ENGINE - V8 H/C 4146 c.c.
A22	LAMINATED WINDSHIELD GLASS	L34	ENGINE - V8 H/C 5047 c.c.
A48	DELETE FRONT & REAR SEAT BELTS	LD1	ENGINE - 6 CYL. H/C 2834 c.c.
A52	FRONT BENCH SEAT	LD2	ENGINE - 6 CYL. L/C 2834 c.c.
A58	FRONT SEAT RETRACTING BELTS	M11	CONSOLE FLOOR SHIFT
B30	CARPET FLOOR COVERING	M15	MANUAL TRANS. 3 SPEED
B84	BODY SIDE MOULDING	M20	MANUAL TRANS. 4 SPEED 3.05:1-1ST.
C08	EXTERIOR SOFT TRIM ROOF COVER - GAZELLE	M21	MANUAL TRANS. 4 SPEED 2.54:1-1ST.
C27	EXTERIOR SOFT TRIM ROOF COVER - BLACK	M40	AUTOMATIC TRANS. 3 SPEED - TRI-MATIC
C48	DELETE HEATER	MC2	MANUAL TRANS. 3 SPEED
C49	REAR WINDOW HEATER - ELECTRIC	MC6	MANUAL TRANS. 4 SPEED 3.40:1-1ST.
C58	FORCED VENT SYSTEM - NON HEATED	N05	FUEL TANK LOCKING TAP
C60	AIR CONDITIONER - MANUAL	N10	DUAL EXHAUST SYSTEM
C66	A/C PREPARATORY EQUIP. - HIGH AMBIENT	N66	WHEEL - SPORTS 6.00JJ x 13
CB1	EXTERIOR SOFT TRIM ROOF COVER - DOVE GREY	N70	WHEEL - Wide RIM 5.95JJ x 13
CB3	EXTERIOR SOFT TRIM ROOF COVER - CHAMOIS	PO2	WHEEL TRIM DISC
D31	ANTI-GLARE REAR VISION MIRROR	PO3	WHEEL TRIM DISC & CHROME WHEEL NUTS
D55	SEAT SEPARATOR	T62	BATTERY - DRY CHARGED
D99	EXTERIOR TWO TONE PAINT	T64	DELETE BATTERY
E28	ASSIST HANDLES - 1 FRONT 1 REAR	T89	TAIL & STOP LAMP ASSY.
F71	SPRINGS & SHOCK ABSORBERS - HEAVY DUTY	U11	SPEEDOMETER - POLICE - NEW ZEALAND
G66	SUPERLIFT REAR SHOCK ABSORBERS	U21	INST. CLUSTER - OIL, WATER, VOLT. TACHOMETER
G80	LIMITED SLIP DIFFERENTIAL	U60	RADIO - MANUAL - 11 TRANSISTOR
GU4	REAR AXLE 3.08:1 RATIO	U63	RADIO - PUSH BUTTON - 11 TRANSISTOR
GU7	REAR AXLE 2.78:1 RATIO	U75	ANTENNA - POWER - REAR
GU8	REAR AXLE 3.90:1 RATIO	U80	REAR SEAT SPEAKER
GV4	REAR AXLE 3.36:1 RATIO	UR3	FUEL ECONOMY WARNING LIGHT (with Intro. 7 Fig. Odo)
JL2	FRONT WHEEL DISC BRAKES	VO1	HEAVY DUTY RADIATOR
K45	HEAVY DUTY AIR CLEANER	V77	UNDERBODY PROOF COATING
K69	IGNITION KEY - 3 KEY SET	VE5	FRONT & REAR BUMPER BAR RUB STRIP
K75	DELETE. EVAP. EMISSION CONTROLS	X56	RECLINING BUCKET SEATS
L16	ENGINE - 4 CYL. OPEL 1900-9.0:1 RATIO	X57	FUEL TANK CAPTIVE FILLER CAP & SPRING
L20	ENGINE - 6 CYL. H/C 3310 c.c.	X59	VINYL & NYLON CLOTH TRIM
L23	ENGINE - 6 CYL. H/C 3310 c.c.	XV1	PERFORMANCE APPEARANCE PACKAGE - GPAK
L31	ENGINE - V8 H/C 5047 c.c.	XY9	NEUTRAL HEADLINING TRIM

E - EXPORT

G/E - GOVERNMENT AND/OR EXPORT

HOLDEN "LH" PARTS CATALOGUE

POWER TRAIN COMBINATIONS:

Refer Production Option Chart for Code Description

ENGINE	TRANSMISSION	REAR AXLE		DRIVE	UG	UH	VB	VC	VD
		STANDARD	OPTIONAL						
L16	M20 *	GU8 - 3.90 ⁺		R -	S	S			
	MC6	GU8 - 3.90		R -	S	S			
	M40	GV4 - 3.36		R -	A	A			
* MC6 Replaced M20 as Standard Trans. 1975.									
LD1	M15	GV4 - 3.36		R -			S	S	
	MC2	GV4 - 3.36		- L			E	E	
	M20	GV4 - 3.36		R L			A	A	
	M40	GU7 - 2.78	GV4 - 3.36	R L			A	A	
LD2	M15	GV4 - 3.36		R -			A	A	
	MC2	GV4 - 3.36		- L			E	E	
	M20	GV4 - 3.36		R L			A	A	
	M40	GU7 - 2.78		R L			A	A	
L20	M15	GU4 - 3.08	GV4 - 3.36	R -			A	A	
	MC2	GV4 - 3.36		- L			E	E	
	M20	GU4 - 3.08	GV4 - 3.36	R L			A	A	S
	M40	GU7 - 2.78	GV4 - 3.36	R L			A	A	
L23	M15	GV4 - 3.36		R -			E	E	
	MC2	GV4 - 3.36		- L			E	E	
	M20	GV4 - 3.36		R L			E	E	
	M40	GU7 - 2.78		R L			E	E	
L31	M21	GU7 - 2.78		R L					A
	M40	GU7 - 2.78		R -					A
L32	M20	GU4 - 3.08		R -					A
				R L			A	A	
	M40	GU7 - 2.78		R -					A
				R L			A	A	
L34	M21	GU7 - 2.78	GU4 - 3.08	R -					A

SYMBOL: A = AVAILABLE
 S = STANDARD
 E = EXPORT

NOTES

A

ACTUATOR - Air cond. vacuum	9,280
ACTUATOR - Trans. parking lock	4,294
ADAPTOR - Air cond. control	9,278
ADAPTOR - Carburettor flange	3,726
ADAPTOR - Engine sender unit	0,277
ADAPTOR - Horn button	2,824
ADAPTOR - Oil filter	1,835
ADAPTOR - Oil pressure sender unit	1,803
ADAPTOR - Speedometer drive	4,337
ADAPTOR - Trans. rear bearing	4,317
ADAPTOR - Vacuum	3,265
ADHESIVE	8,800
ADJUSTER - Front seat	11,561
AIR CLEANER	3,402
AIR HORN - Carburettor	3,763
ANCHOR - Hood lock control rod	8,077
ANTENNA - Radio	9,662
ANTI-FREEZE - Radiator	8,800
ARM - Front suspension control	6,168
ARM - Fuel pump rocker	3,920
ARM - Rear suspension control	5,382
ARM - Steering	6,103
ARM - Valve rocker	0,333
ARM - Windshield wiper	10,147
ARM REST - Console	15,288
ARM REST - Front door	14,686
ARM REST - Rear door	14,762
ARMATURE - Starter motor	2,043
ARMATURE - Windshield wiper motor	10,150
ARRESTOR - Trans. support mounting	4,081
ASHTRAY - Instrument panel	12,030
ASHTRAY - Rear door	12,030

B

BACK - Rear seat	14,998
BAFFLE - Automatic choke heat tube	3,720
BAFFLE - Carburettor float chamber	3,776
BAFFLE - Engine oil pan	1,426
BAIL - Brake main cylinder cover	4,651
BAIL - Fuel pump bowl	3,906
BAIL - Carburettor pump check	3,760
BALL - Dist. breaker plate retaining	2,385
BALL - Reverse idler shaft	4,433
BALL - Steel	8,899
BALL - Trans. control valve	4,265
BALL - Windshield wiper motor	10,150
BALL JOINT - Control arm	6,168
BAND - Transmission reaction	4,251
BAR - Bumper	7,831
BAR - Carburettor air horn reinforcing	3,763
BAR - Horn actuating	2,830
BAR - Tow	9,600
BAR - Underbody cross	12,982
BARREL & KEY - Deck lid	12,248
BARREL & KEY - Door locking	10,550
BASE - Air cond. control	9,279
BASE - Dome lamp	11,925
BASE - Tail, stop & turn signal lamp	2,679

BATTERY	2,332
BEARING - Axle shaft	5,855
BEARING - Booster relay lever	4,628
BEARING - Brake pedal pivot	4,626
BEARING - Camshaft thrust	0,533
BEARING - Clutch gear	4,355
BEARING - Clutch throwout	0,799
BEARING - Counter shaft	4,422
BEARING - Crankshaft clutch pilot	0,649
BEARING - Differential side	5,536
BEARING - Front pinion	5,447
BEARING - Front wheel inner	6,311
BEARING - Front wheel outer	6,313
BEARING - Generator drive end	2,306
BEARING - Generator slip ring end	2,298
BEARING - Main shaft front	4,352
BEARING - Main shaft rear	4,408
BEARING - Planet pinion	4,177
BEARING - Rear pinion	5,484
BEARING - Steering gear	6,530
BEARING - Steering shaft lower	6,524
BEARING - Steering shaft upper	6,521
BEARING - Trans. input sun gear	4,177
BEARING - Trans. reaction sun gear	4,177
BEARING - Valve rocker arm	0,429
BEARING SET - Camshaft	0,536
BEARING SET - Connecting rod	0,616
BEARING SET - Crankshaft	0,094
BEARING UNIT - Crankshaft centre	0,101
BEARING UNIT - Crankshaft front	0,096
BEARING UNIT - Crankshaft front inter	0,099
BEARING UNIT - Crankshaft rear	0,106
BEARING UNIT - Crankshaft rear inter	0,103
BELT - Air cond. compressor	9,180
BELT - Fan and generator	1,066
BELT - Front seat	14,798
BELT - Rear seat	15,040
BEZEL - Rear licence plate lamp	2,706
BLADE - Fan	1,064
BLADE - Windshield wiper	10,146
BLEEDER - Carburettor high speed	3,751
BLOCK - Cylinder	0,033
BODY - Air cond. terminal	9,276
BODY - Body wiring harness	13,090
BODY - Brake main cylinder	4,650
BODY - Brake wheel cylinder	4,665
BODY - Carburettor main	3,748
BODY - Carburettor throttle	3,727
BODY - Clutch main cylinder	0,902
BODY - Front door jamb switch	11,950
BODY - Fuel pump	3,902
BODY - Governor valve	4,256
BODY - Oil pump	1,653
BODY - Parking brake warning lamp switch	4,610
BODY - Rear compartment lamp switch	11,960
BODY - Shell	10,002
BODY - Shock absorber tee valve	7,347
BODY - Stop lamp lead	13,090
BODY - Trans. control valve	4,265
BODY - Water pump	1,073
BODY - Wiring harness	2,555
BODY ASSEMBLY	10,001
BODY & CABLE - Turn signal lamp	2,586

HOLDEN "LH" PARTS CATALOGUE

BODY & GEAR - Trans. oil pump	4,226	BRACKET - Clutch brace	0,852
BOLT - Air cond. belt pulley	9,180	BRACKET - Clutch fork return spring	0,846
BOLT - Battery mounting	2,333	BRACKET - Clutch pedal support	0,833
BOLT - Brake backing plate	5,002	BRACKET - Console rear mounting	15,290
BOLT - Brake pedal pivot	4,636	BRACKET - Deck lid hinge	12,184
BOLT - Camshaft locator bolt	0,533	BRACKET - Differential pinion nose bumper ..	5,395
BOLT - Clutch housing to block	0,683	BRACKET - Distributor	2,414
BOLT - Clutch pedal retainer	0,837	BRACKET - Engine mounting	0,027
BOLT - Connecting rod	0,623	BRACKET - Front end air dam	8,126
BOLT - Converter to driven plate	4,156	BRACKET - Fuel tank filler door	12,966
BOLT - Crankshaft bearing cap	0,056	BRACKET - Fuel tank mounting	3,001
BOLT - Cylinder head	0,293	BRACKET - Fuel tank stone guard	3,001
BOLT - Differential carrier	5,506	BRACKET - Fuse panel mounting	2,481
BOLT - Differential carrier to housing	5,387	BRACKET - Generator drive end	2,305
BOLT - Exhaust pipe to muffler	3,616	BRACKET - Generator mounting	2,277
BOLT - Flywheel to crankshaft	0,669	BRACKET - Generator slip ring end	2,297
BOLT - Front engine mounting	0,027	BRACKET - Hood lock	8,085
BOLT - Front seat adjuster handle	11,588	BRACKET - Hood lock control rod	8,077
BOLT - Front seat belt	14,798	BRACKET - Ignition coil	2,170
BOLT - Fuel pump	3,900	BRACKET - Parking brake cable	4,829
BOLT - Generator through	2,316	BRACKET - Power plant mounting	6,008
BOLT - Muffler to tail pipe	3,706	BRACKET - Rear suspension control arm	5,382
BOLT - Rear suspension control arm	5,382	BRACKET - Rear vision mirror	10,187
BOLT - Ring gear	5,531	BRACKET - Seat belt retractor mounting	14,798
BOLT - Spare wheel retaining	7,632	BRACKET - Solenoid detent switch	4,054
BOLT - Starter motor	2,041	BRACKET - Starter motor steady	2,041
BOLT - Starter motor through	2,077	BRACKET - Steering column support	6,760
BOLT - Steering gear to crossmember	6,509	BRACKET - Throttle cable retainer	3,430
BOLT - Trans. servo piston	4,233	BRACKET & INSULATOR - Tail pipe support ..	3,710
BOLT - Valve push rod cover	0,449	BRACKET & SUPPORT - Muffler	3,704
BOLT - Valve rocker arm pivot	0,429	BREATHER - Air cleaner	3,410
BOLT - Wheel hub	5,812	BREATHER - Rear axle housing	5,387
BOLT - Windshield wiper through	10,150	BRIDGE - Air cleaner	3,403
BOOSTER - Brake vacuum servo	4,902	BRIDGE - Generator rectifier	2,289
BOOT - Booster relay push rod	4,659	BRUSH - Distributor cap	2,370
BOOT - Brake booster	4,907	BRUSH SET - Generator	2,285
BOOT - Brake main cylinder	4,659	BRUSH SET - Starter motor	2,051
BOOT - Brake wheel cylinder	4,670	BUFFER - Starter motor drive pinion	2,087
BOOT - Clutch fork	0,797	BULB - Combined instrument	2,515
BOOT - Gearshift lever	4,015	BULB - Dome lamp	11,925
BOOT - Spark plug	2,258	BULB - Instrument panel compartment lamp ..	10,270
BOOT - Steering tie rod socket	6,233	BULB - Rear compartment lamp	11,960
BOOT - Tie rod	6,255	BULB - Rear licence plate lamp	2,700
BOW - Roof	12,952	BULB - Tail and stop lamp	2,679
BOWL - Fuel pump	3,903	BULB - Trans. control illumination	4,038
BOX - Generator brush	2,291	BULB - Trans. control indicator	4,038
BRACE - Air cond. compressor	9,171	BULB - Turn signal and back-up lamp	2,679
BRACE - Deck lid hinge bracket	12,184	BULB - Turn signal indicator	2,893
BRACE - Generator	2,317	BULB - Turn signal lamp	2,586
BRACE - Instrument panel to dash	6,761	BUMPER - Clutch pedal	0,830
BRACE - Rear shock absorber	12,984	BUMPER - Console lid	15,292
BRACE - Side member to rocker inner panel ..	12,982	BUMPER - Control arm	6,176
BRACKET - Accelerator return spring	3,430	BUMPER - Deck lid	12,212
BRACKET - Air cond. actuator	9,280	BUMPER - Differential pinion nose	5,395
BRACKET - Air cond. compressor	9,171	BUMPER - Door to pillar	10,587
BRACKET - Air cond. hose support	9,220	BUMPER - Fan guard	1,270
BRACKET - Air cond. receiver & dehydrator ..	9,195	BUMPER - Front license plate	7,796
BRACKET - Battery mounting bolt	2,333	BUMPER - Fuel tank filler door	12,966
BRACKET - Brake booster	4,901	BUMPER - Hood	8,024
BRACKET - Brake hose	4,681	BUMPER - Instrument panel ashtray	12,030
BRACKET - Bumper bar mounting	7,836	BUMPER - Instrument panel compartment door ..	10,263
BRACKET - Carburettor choke cable	3,795	BUMPER - Rear axle	7,535
BRACKET - Clutch actuating cylinder	0,934	BUSHING - Air cond. mode valve	9,280

HOLDEN "LH" PARTS CATALOGUE

BUSHING - Brake adjuster	5.103
BUSHING - Brake pedal shaft	4.626
BUSHING - Clutch pedal shaft	0.831
BUSHING - Clutch relay lever pivot	0.852
BUSHING - Converter housing	0.683
BUSHING - Distributor	2.362
BUSHING - Door hinge	10.466
BUSHING - Front stabilizer spacer	7.240
BUSHING - Gearshift control shaft	4.040
BUSHING - Lighting switch	2.487
BUSHING - Lower control arm	6.170
BUSHING - Parking brake pedal release rod	4.594
BUSHING - Rear suspension control arm	5.382
BUSHING - Reverse idler gear	4.433
BUSHING - Shock absorber mounting	7.370
BUSHING - Starter motor comm. end	2.083
BUSHING - Starter motor drive end	2.083
BUSHING - Starter motor drive pinion	2.087
BUSHING - Temp. gauge sender unit	0.277
BUSHING - Transmission case	4.103
BUSHING - Trans. oil pump body	4.226
BUSHING - Trans. rear extension housing	4.317
BUSHING - Trans. second clutch hub	4.158
BUSHING - Trans. sun gear	4.158
BUSHING - Upper control arm	6.164
BUTTON - Gearshift control	4.009
BUTTON & EMBLEM - Horn	2.820

C

CABLE - Battery ground	2.341
CABLE - Heater control	9.779
CABLE - Hood lock control	8.075
CABLE - Parking brake	4.826
CABLE - Speedometer	4.342
CABLE - Starter	2.342
CABLE - Throttle control	3.430
CALIPER - Brake	5.010
CAM - Carburettor fast idle	3.735
CAM - Distributor	2.381
CAM - Fuel gauge tank unit retainer	3.107
CAM - Sliding glass	10.783
CAM - Trans. detent	4.311
CAMSHAFT	0.519
CANISTER - Fuel vapour	3.130
CAP - Air cond. compressor valve	9.170
CAP - Clutch main cylinder	0.907
CAP - Crankshaft centre bearing	0.100
CAP - Crankshaft front bearing	0.095
CAP - Crankshaft front inter. bearing	0.098
CAP - Crankshaft rear bearing	0.105
CAP - Crankshaft rear inter. bearing	0.102
CAP - Distributor	2.367
CAP - Front door trim clip sealing	14.685
CAP - Fuel tank filler	3.028
CAP - Oil filler	1.758
CAP - Oil pressure regulator valve	1.609
CAP - Radiator pressure	1.203
CAP - Rear door trim clip sealing	14.760
CAP - Shock absorber air valve	7.347
CAP - Spark plug wire guard	2.258
CAP - Starter motor armature bearing	2.063
CAP - Valve spring	0.309

CAP - Wheel hub	5.858
CARBURETTOR	3.725
CARPET - Console	15.291
CARPET - Front floor	15.286
CARPET - Rear floor	15.306
CARRIER - Trans. planetary	4.177
CARRIER - Water bag	9.608
CARRIER & CAP - Differential	5.505
CASE - Combined instrument	2.515
CASE - Differential	5.510
CASE - Heater	9.779
CASE - Instrument panel compartment lock ..	10.266
CASE - Transmission	4.103
CATCH - Hood safety	8.036
CEMENT - Neoprene	8.800
CHAIN - Camshaft timing	0.724
CHANNEL - Front door glass	10.685
CHANNEL - Front door glass run	10.701
CHANNEL - Rear door division	10.829
CHANNEL - Rear door glass lifter	10.747
CHANNEL - Rear door glass run	10.759
CHANNEL - Rear window glass	11.207
CHANNEL - Windshield glass	10.092
CIRCLIP - Clutch cable insulator	0.787
CIRCLIP - Distributor cam retainer	2.381
CIRCLIP - Generator drive end shaft	2.307
CIRCLIP - Steering shaft upper bearing	6.524
CIRCLIP BREAKER - Air conditioner	9.275
CLAMP - Air cleaner	3.403
CLAMP - Air cond. hose	9.220
CLAMP - Brake vacuum servo hose	4.931
CLAMP - Carburettor choke cable	3.795
CLAMP - Clutch cable	0.787
CLAMP - Distributor	2.414
CLAMP - Exhaust pipe to muffler	3.616
CLAMP - Heater hose	9.779
CLAMP - Inlet manifold water hose	3.260
CLAMP - Manifold	3.273
CLAMP - Muffler to tail pipe	3.706
CLAMP - Radiator hose	1.166
CLAMP - Tail pipe support	3.710
CLAMP - Trans. shifter rod	4.035
CLEVIS - Clutch main cylinder push rod	0.920
CLIP - Air cond. control link	9.280
CLIP - Automatic choke heat pipe	3.720
CLIP - Body wiring harness	13.092
CLIP - Brake caliper	5.020
CLIP - Brake hose	4.681
CLIP - Brake pipe	4.685
CLIP - Carburettor fast idle rod	3.793
CLIP - Distributor vacuum control rod	2.410
CLIP - Front door trim	14.685
CLIP - Front seat back cover	11.373
CLIP - Front seat back rear trim	14.803
CLIP - Fuel pipe	3.202
CLIP - Hood lock cable	8.075
CLIP - Instrument panel pad	14.655
CLIP - Parking brake cable	4.826
CLIP - Parking brake lever retainer	5.158
CLIP - Rear door ashtray retainer	12.030
CLIP - Rear door trim	14.760
CLIP - Rocker moulding	8.304
CLIP - Spark control pipe to fuel pipe	2.424

HOLDEN "LH" PARTS CATALOGUE

CLIP - Speedometer cable	4,342	COVER - Heater opening	12,803
CLIP - Speedometer drive gear.....	4,337	COVER - Oil pump	1,723
CLIP - Starter cable	2,342	COVER - Rear seat back.....	15,000
CLIP - Tie rod boot	6,255	COVER - Rear seat cushion	15,035
CLIP - Trans. oil pipe	4,128	COVER - Roof panel	12,810
CLIP - Vacuum modulator pipe	4,205	COVER - Spare wheel.....	15,222
CLIP - Windshield washer hose	8,798	COVER - Starter motor solenoid switch	2,102
CLIP - Windshield wiper link	10,160	COVER - Steering column	6,518
CLIP - Wiring harness.....	2,555	COVER - Steering column to dash	6,758
CLIP & TERMINAL - Fuse holder	2,481	COVER - Steering wheel	9,610
CLOCK - Combined instrument	2,515	COVER - Transmission	4,105
CLUTCH - Fan	1,050	COVER - Trans. control housing.....	15,293
CLUTCH - Transmission second	4,158	COVER - Trans. control pointer	4,038
CLUTCH - Transmission third.....	4,153	COVER - Trans. servo	4,212
COCK - Drain	0,033	COVER - Valve push rod	0,439
COIL - Ignition	2,170	COVER - Valve rocker	0,386
COIL SET - Starter motor field.....	2,049	COVER & PRESSURE PLATE - Clutch	0,861
COLLAR - Generator drive end	2,307	COWL - Body front end	12,803
COLLAR - Starter motor drive end	2,096	CRANK - Windshield wiper motor	10,150
COLLAR - Starter motor pinion bearing	2,087	CRANKSHAFT	0,646
COLLECTOR - Exhaust	3,609	CUP - Brake wheel cylinder	4,667
COLUMN - Steering	6,508	CUP - Clutch actuating cylinder	0,937
COMPARTMENT - Instrument panel	10,260	CUP - Clutch main cylinder piston	0,911
COMPRESSOR - Air conditioner	9,170	CUP - Clutch main cylinder piston sec'd.	0,912
CONDENSER - Air conditioner	9,190	CUP - Differential side bearing	5,536
CONDENSER - Distributor	2,393	CUP - Front pinion bearing	5,447
CONE - Differential side bearing	5,536	CUP - Rear pinion bearing	5,484
CONE - Front pinion bearing	5,447	CUSHION - Rear seat	15,033
CONE - Rear pinion bearing	5,484	CYLINDER - Brake main	4,650
CONE - Windshield wiper motor thrust	10,150	CYLINDER - Brake wheel	4,665
CONNECTOR - Brake pipe.....	4,686	CYLINDER - Clutch actuating	0,934
CONNECTOR - Clutch actuating cylinder... ..	0,929	CYLINDER - Clutch main.....	0,902
CONNECTOR - Fuel hose to fuel pump	3,163	CYLINDER BLOCK.....	0,033
CONNECTOR - Parking brake cable.....	4,830	CYLINDER HEAD	0,269
CONTACT SET - Distributor.....	2,384		
CONTROL - Air conditioner	9,278	D	
CONTROL - Choke	3,521	DAM - Front end air.....	8,126
CONTROL - Door lock remote	10,500	DAMPER - Crankshaft.....	0,659
CONTROL - Heater.....	9,779	DAMPER - Gearshift lever plunger	4,006
CONVERTER - Transmission	4,156	DAMPER - Timing chain	0,726
COOLER - Engine oil	1,540	DAMPER & VALVE - Air cleaner pre-heat	3,415
COOLER - Radiator oil	1,219	DEFLECTOR - Air cond. evaporator air.....	9,169
CORE - Air cond. compressor valve	9,170	DEFLECTOR - Fender mud	9,620
CORE - Air cond. evaporator	9,210	DIAL - Radio	9,662
CORE - Heater.....	9,779	DIAL - Trans. control indicator	4,038
CORE - Radiator	1,219	DIAPHRAGM - Air cleaner pre-heat	3,415
CORE - Shock absorber air valve	7,347	DIAPHRAGM - Brake booster.....	4,908
COUPLING - Steering shaft flexible.....	6,524	DIAPHRAGM - Brake main cylinder cover	4,651
COVER - Brake adjusting hole.....	5,188	DIAPHRAGM - Carburettor choke kick	3,799
COVER - Brake main cylinder	4,651	DIAPHRAGM - Fuel pump	3,925
COVER - Camshaft	0,386	DIFFERENTIAL & CARRIER	5,504
COVER - Carburettor float chamber	3,763	DISC - Brake booster	4,907
COVER - Carburettor pump	3,782	DISTRIBUTOR	2,361
COVER - Carburettor thermostat	3,796	DOOR - Air cond. demist	9,280
COVER - Clutch housing	0,679	DOOR - Front.....	10,351
COVER - Console rear mounting.....	15,293	DOOR - Fuel tank filler	12,966
COVER - Converter housing.....	0,679	DOOR - Instrument panel compartment.....	10,261
COVER - Crankcase front end	0,206	DOOR - Rear	10,373
COVER - Cylinder head side	0,269	DOWEL - Carburettor thermostat housing	3,796
COVER - Front seat back	14,800	DRIVE - Starter motor	2,086
COVER - Front seat cushion	14,880	DRUM - Brake	5,809
COVER - Front wheel bearing	5,858	DRUM - Trans. second clutch.....	4,158
COVER - Fuel pump	3,910		

HOLDEN "LH" PARTS CATALOGUE

DRUM & INPUT SHAFT - Trans. clutch 4.153
 DUCT - Heater 9.779

E

ECCENTRIC - Clutch pedal bumper 0.830
 ECCENTRIC - Fuel pump 3.900
 ELBOW - Pipe 8.963
 ELEMENT - Air cleaner 3.410
 ENGINE 0.000
 EQUALIZER - Parking brake cable 4.764
 EQUALIZER - Tow bar load 9.600
 ESCUTCHEON - Instrument panel compt. lock 10.266
 ESCUTCHEON - Rear window glass 11.208
 ESCUTCHEON - Windshield channel 10.093
 EXPANDER - Brake wheel cylinder 4.668
 EXTENSION - Brake pedal return spring 4.639
 EXTENSION - Front floor pan 12.972
 EXTENSION - Rear compartment front panel 12.971
 EXTENSION - Trans. rear 4.317

F

FACIA - Air conditioner control 9.278
 FACIA - Instrument 2.515
 FACIA - Instrument panel cover 9.743
 FAN - Generator 2.274
 FASTENER - Cowl side trim 14.630
 FASTENER - Front seat back trim 14.800
 FASTENER - Package tray trim 15.024
 FASTENER - Valve to air cleaner 3.415
 FELT - Distributor 2.362
 FENDER - Front 8.130
 FERRULE - Gearshift lever boot 4.015
 FILLER - Front door lifter channel 10.696
 FILTER - Brake booster 4.903
 FILTER - Fuel 3.787
 FILTER - Oil 1.835
 FINGER - Windshield wiper motor earth 10.150
 FITTING - Air cond. compressor 9.170
 FLANGE - Differential pinion 5.545
 FLANGE - Exhaust pipe packing 3.610
 FLARE - Front fender 8.130
 FLARE - Quarter panel 12.940
 FLARE - Rear door 12.940
 FLASHER - Trailer wiring 9.644
 FLASHER - Turn signal 2.892
 FLOAT - Carburettor 3.773
 FLUID - Brake 8.800
 FLYWHEEL & RING GEAR 0.666
 FORK - Clutch 0.795
 FORK - Trans. 1st & rev. shift 4.304
 FORK - Trans. 1st & 2nd shift 4.303
 FORK - Trans. reverse shift 4.304
 FORK - Trans. 2nd & 3rd shift 4.303
 FORK - Trans. 3rd & 4th shift 4.303
 FRAME - Front seat back 11.373
 FRAME - Generator drive end 2.305
 FRAME - Generator slip ring end 2.297
 FRAME - Rear window 11.200
 FRAME - Starter motor commutator end 2.067
 FRAME - Windshield 12.807
 FUSE 2.481

G

GASKET - Air cleaner 3.410
 GASKET - Air cleaner to carburettor 3.403
 GASKET - Air cond. evaporator 9.169
 GASKET - Air cond. resistor 9.275
 GASKET - Air cond. valves-in-receiver 9.195
 GASKET - Axle housing 5.508
 GASKET - Axle housing plug 5.400
 GASKET - Camshaft cover 0.386
 GASKET - Carburettor air horn 3.765
 GASKET - Carburettor air idle valve 3.766
 GASKET - Carburettor flange 3.726
 GASKET - Carburettor float chamber cover .. 3.765
 GASKET - Carburettor float needle valve seat 3.772
 GASKET - Carburettor main body 3.749
 GASKET - Carburettor metering jet plug 3.756
 GASKET - Carb. pump & power by-pass jet .. 3.757
 GASKET - Carb. pump nozzle 3.758
 GASKET - Carb. thermostat cover 3.796
 GASKET - Carb. throttle body 3.749
 GASKET - Clutch gear bearing retainer 4.858
 GASKET - Crankcase front end cover 0.207
 GASKET - Cylinder head 0.289
 GASKET - Cylinder head side cover 0.269
 GASKET - Cylinder head water outlet 1.154
 GASKET - Deck lid lock cylinder 12.248
 GASKET - Distributor 2.362
 GASKET - Door lock cylinder 10.550
 GASKET - Door lock remote control 10.516
 GASKET - Fuel pump bowl 3.904
 GASKET - Fuel pump flange 3.932
 GASKET - Fuel pump valve & cage 3.913
 GASKET - Manifold 3.270
 GASKET - Oil pan 1.429
 GASKET - Oil pan drain screw 1.453
 GASKET - Oil pressure regulator spring plug . 1.611
 GASKET - Oil pressure regulator valve cap .. 1.609
 GASKET - Oil pump cover 1.724
 GASKET - Oil pump to block 1.654
 GASKET - Pressure relief valve 12.942
 GASKET - Starter motor solenoid switch 2.102
 GASKET - Steering gear pinion cover plate .. 6.809
 GASKET - Tail, stop & turn signal lamp 2.684
 GASKET - Thermostat housing 1.252
 GASKET - Trans. cover 4.109
 GASKET - Trans. drain screw 4.195
 GASKET - Trans. governor 4.256
 GASKET - Trans. oil pan 4.196
 GASKET - Trans. oil pump 4.226
 GASKET - Trans. oil pump screen 10.223
 GASKET - Trans. plug 4.103
 GASKET - Trans. rear extension housing 4.318
 GASKET - Trans. servo cover 4.212
 GASKET - Trans. solenoid detent 4.265
 GASKET - Trans. transfer plate 4.265
 GASKET - Trans. vac. modulator 4.265
 GASKET - Turn signal lamp 2.590
 GASKET - Valve push rod cover 0.443
 GASKET - Valve rocker cover 0.423
 GASKET - Water pump to block 1.079
 GASKET - Windshield wiper motor 10.150

HOLDEN "LH" PARTS CATALOGUE

GASKET KIT - Carburettor	3.724	HARNES - Combined instrument	2.515
GASKET KIT - Transmission	4.005	HANDLE - Door lock remote	10.512
GASKET SET - Engine	0.010	HANDLE - Door outside	10.527
GATE - Gearshift control	4.016	HANDLE - Door pull	9.640
GAUGE - Fuel, dash	2.515	HANDLE - Door window regulator	10.797
GAUGE - Fuel tank unit	3.107	HARNES - Engine	2.555
GAUGE - Voltmeter & oil pressure	2.515	HANDLE - Front seat adjuster	11.588
GEAR - Camshaft	0.736	HANDLE - Gearshift control	4.009
GEAR - Clutch	4.351	HARNES - Instrument	2.555
GEAR - Counter	4.421	HARNES - Lighting	2.555
GEAR - Crankshaft distributor drive	0.728	HARNES - Main wiring	2.555
GEAR - Crankshaft timing	0.728	HARNES - Neutral starting switch	4.055
GEAR - Distributor	2.374	HARNES - Trailer wiring	9.644
GEAR - Flywheel ring	0.673	HEAD - Cylinder	0.269
GEAR - Input sun	4.177	HEADLINING	14.640
GEAR - Mainshaft first speed	4.418	HINGE - Deck lid	12.184
GEAR - Mainshaft reverse	4.418	HINGE - Front door lower	10.454
GEAR - Mainshaft second speed	4.395	HINGE - Front door upper	10.450
GEAR - Mainshaft third speed	4.415	HINGE - Hood	8.015
GEAR - Oil pump	1.659	HINGE - Instrument panel compartment door ..	10.262
GEAR - Oil pump drive	1.643	HINGE - Rear door lower	10.460
GEAR - Reverse idler	4.430	HINGE - Rear door upper	10.456
GEAR - Speedometer drive	4.337	HOLDER - Generator brush	2.291
GEAR - Speedometer driven	4.337	HOLDER - Starter motor brush	2.052
GEAR - Steering	6.508	HOOK - Coat	14.651
GEAR - Trans. ring	4.187	HOOK - Seat belt stowage	14.799
GEAR - Windshield wiper motor	10.150	HORN	2.810
GEAR & DRUM - Reaction sun	4.177	HOSE - Air cleaner thermal vacuum valve	3.415
GEAR SET - Differential	5.527	HOSE - Air conditioner	9.220
GEAR SET - Transmission	4.177	HOSE - Air condition motor	9.215
GENERATOR	2.275	HOSE - Air cond. vacuum	9.281
GLASS - Front door	10.681	HOSE - Automatic choke heat	3.720
GLASS - Rear door fixed	10.827	HOSE - Brake	4.680
GLASS - Rear door window sliding	10.741	HOSE - Brake vacuum servo	4.931
GLASS - Rear window	11.204	HOSE - Carburettor choke kick vacuum	3.799
GLASS - Windshield	10.027	HOSE - Crankcase ventelator	1.762
GOVERNOR - Transmission	4.256	HOSE - Fuel canister to engine	3.120
GRILLE - Radiator	1.266	HOSE - Fuel line	3.163
GRILLE - Shroud ventelator	10.307	HOSE - Fuel tank vent	3.003
GRIP - Roof hand rail	15.390	HOSE - Heater	9.779
GROMMET - Body wiring harness	13.092	HOSE - Inlet manifold water	3.260
GROMMET - Brake vacuum servo booster	4.904	HOSE - Radiator	1.159
GROMMET - Choke control to dash panel	3.521	HOSE - Spark control	2.424
GROMMET - Clutch cable to fork	0.787	HOSE - Stove to air cleaner	3.417
GROMMET - Hood lock control	8.076	HOSE - Windshield washer	8.798
GROMMET - Shock absorber air tube	7.347	HOUSING - Air cond. evaporator	9.169
GROMMET - Starter motor cable outlet	2.101	HOUSING - Carburettor vacuum	3.766
GROMMET - Throttle cable insulator	3.430	HOUSING - Clutch	0.683
GROMMET - Turn signal lamp	2.586	HOUSING - Console	15.290
GROMMET - Valve cover to block vent	1.745	HOUSING - Converter	0.683
GROMMET - Windshield wiper motor	10.152	HOUSING - Heater blower duct	9.779
GUARD - Bumper bar	9.624	HOUSING - Heater outlet	9.779
GUARD - Engine compartment splash	8.112	HOUSING - Rear axle	5.387
GUARD - Fuel tank stone	3.001	HOUSING - Starter motor drive	2.085
GUARD - Headlamp stone	9.632	HOUSING - Steering column	6.518
GUIDE - Parking brake cable	4.829	HOUSING - Steering gear rack	6.803
GUIDE - Roller chain rail	0.724	HOUSING - Steering tie rod ball	6.235
GUTTER - Roof drip	12.811	HOUSING - Thermostat	1.251
		HOUSING - Timing sprocket	0.206
		HOUSING - Trans. rear	4.317
		HOUSING - Windshield wiper motor	10.150
		HUB - Front wheel	6.307
		HUB - Water pump	1.063
H			
HARNES - Air cond. wiring	9.276		
HARNES - Body wiring	13.090		

I

IMPELLER - Air cond. motor	9.215
IMPELLER - Heater blower	9.779
INDICATOR - Engine oil level	1.516
INDICATOR - Timing	0.210
INDICATOR - Trans. oil level	4.133
INHIBITOR - Radiator	8.800
INLET - Air cond. air	9.211
INLET - Heater air	9.779
INSERT - Brake main cylinder tube	4.652
INSERT - Carburettor main body	3.762
INSERT - Gearshift pattern	15.293
INSERT - Rear window glass channel	11.208
INSERT - Shock absorber air tube	7.347
INSERT - Windshield glass channel	10.093
INSTRUMENT - Combined	2.515
INSULATOR - Air cond. water valve	9.275
INSULATOR - Automatic choke heat pipe ..	3.720
INSULATOR - Carburettor flange	3.726
INSULATOR - Clutch cable to dash	0.787
INSULATOR - Clutch strut	0.852
INSULATOR - Dash	15.280
INSULATOR - Engine rear mounting support.	12.982
INSULATOR - Front seat back	14.802
INSULATOR - Front stabilizer shaft	7.242
INSULATOR - Gearshift control lever	4.015
INSULATOR - Gearshift control rod	4.040
INSULATOR - Gearshift 1st & rev. shift	4.020
INSULATOR - Gearshift 2nd & 3rd shift	4.019
INSULATOR - Generator positive terminal ..	2.289
INSULATOR - Muffler support	3.704
INSULATOR - Rear spring	7.545
INSULATOR - Starter motor field coil	2.049
INSULATOR - Steering column	6.758
INSULATOR - Trans. shifter rod	4.035

J

JACK - Lifting	8.820
JACKET - Steering column	6.518
JET - Carburettor air correction	3.752
JET - Carburettor enrichment	3.757
JET - Carburettor idle	3.752
JET - Carburettor main discharge	3.754
JET - Carburettor main metering	3.754
JET - Carburettor pass-over	3.752
JET - Carburettor power by-pass	3.757
JET - Carburettor pump by-pass	3.757

K

KEY - Camshaft gear	0.736
KEY - Crankshaft gear	0.728
KEY - Reverse idler shaft	4.433
KEY - Trans. synchronizer	4.384
KEY - Valve stem	0.310
KIT - Brake booster repair	4.902
KIT - Brake caliper repair	4.667
KIT - Brake main cylinder repair	4.649
KIT - Brake wheel cylinder repair	4.665

KIT - Carburettor repair	3.725
KIT - Fuel pump repair	3.901
KIT - Starter motor shift repair	2.108
KIT - Timing parts	0.732
KIT - Transmission gasket	4.005
KIT - Transmission repair	4.003
KIT - Transmission seal	4.005
KIT - Transmission seal ring	4.127
KIT - Water pump repair	1.071
KNOB - Clock reset	2.515
KNOB - Door inside locking rod	10.559
KNOB - Gearshift control	4.009
KNOB - Heater control	9.779
KNOB - Parking brake release rod	4.592
KNOB - Turn signal lamp switch	2.897
KNOB - Windshield wiper switch	10.163
KNUCKLE - Steering	6.020

L

LACE - Door finish	15.520
LACING - Hood ledge	9.127
LAMP - Instrument panel compartment	10.270
LAMP - Rear licence plate	2.700
LAMP - Tail, stop & turn signal	2.679
LAMP PACKAGE - Auxiliary driving	9.648
LAMP PACKAGE - Rear compartment	11.960
LEAD - Air cond. compressor earth	9.170
LEAD - Air cond. motor	9.215
LEAD - Air cond. wiring	9.276
LEAD - Clock	2.515
LEAD - Distributor	2.400
LEAD - Dome lamp	11.925
LEAD - Front door jamb switch	11.950
LEAD - Horn	2.810
LEAD - Horn bar earth	2.830
LEAD - Instrument panel compartment lamp ..	10.270
LEAD - Rear compartment lamp	11.960
LEAD - Stop lamp	13.090
LEAD - Tachometer	2.520
LEAD - Trans. control indicator illum.	4.038
LEAD - Windshield washer pump	8.798
LENS - Dome lamp	11.928
LENS - Rear licence plate lamp	2.709
LENS - Tail, stop & turn signal lamp	2.682
LENS - Turn signal lamp	2.589
LETTER - Deck lid	12.182
LEVER - Air cond. control	9.278
LEVER - Air cond. door	9.280
LEVER - Booster relay	4.628
LEVER - Brake adjuster	5.103
LEVER - Carburettor choke	3.791
LEVER - Carburettor fast idle	3.792
LEVER - Carburettor fast idle cam	3.735
LEVER - Carburettor pump	3.780
LEVER - Carburettor thermostat	3.797
LEVER - Carburettor throttle	3.731
LEVER - Clutch relay	0.852
LEVER - Door hinge detent	10.468
LEVER - Gearshift control	4.008
LEVER - Gearshift control external	4.041
LEVER - Gearshift control lower	4.040
LEVER - Gearshift 1st & rev. shift	4.020

HOLDEN "LH" PARTS CATALOGUE

LEVER - Gearshift 2nd & 3rd shift	4,019
LEVER - Parking brake	5,149
LEVER - Reverse shift internal	4,316
LEVER - Starter motor shift	2,108
LEVER - Throttle cable	3,731
LEVER - Transmission control	4,030
LEVER - Trans, 1st & rev. shift	4,309
LEVER - Trans, 1st & rev. shift ext.	4,050
LEVER - Trans, parking lock & range selector	4,279
LEVER - Trans, 2nd & 3rd shift ext.	4,046
LEVER - Trans, shifter shaft	4,045
LEVER - Turn signal lamp switch	2,897
LEVER & PIVOT - Accelerator pedal	3,430
LID - Console	15,292
LID - Deck	12,181
LIFTER - Hydraulic valve	0,459
LIGHTER - Cigarette	9,709
LINK - Air cond. control	9,280
LINK - Brake adjuster	5,105
LINK - Brake wheel cylinder connecting ...	4,675
LINK - Door hinge detent	10,466
LINK - Engine harness fusible	2,555
LINK - Fuel pump	3,931
LINK - Trans, manual valve	4,265
LINK - Windshield wiper	10,159
LOCATOR - Camshaft	0,533
LOCATOR - Valve push rod	0,426
LOCK - Deck lid	12,242
LOCK - Differential side bearing adj. nut ..	5,539
LOCK - Ignition	2,188
LOCK - Instrument panel comp. door	10,266
LOCK & SEAL - Front door	10,470
LOCK & SEAL - Rear door	10,473
LOCK & SUPPORT - Hood	8,079

M

MAGNET - Transmission case	4,103
MANIFOLD - Exhaust	3,601
MANIFOLD - Inlet	3,265
MANUAL - Owner	8,823
MANUAL - Workshop	8,823
MASK - Combined instrument	2,515
MAT - Front floor	15,286
MAT - Luggage compartment floor	15,294
MAT - Rear floor	15,306
MEMBER - Frame side	12,980
MEMBER - Underbody side	12,982
MIRROR - Rear vision	10,185
MIRROR - Vanity	10,222
MODULATOR - Trans, vacuum	4,265
MOTOR - Air cond. blower	9,215
MOTOR - Heater	9,779
MOTOR - Starter	2,041
MOTOR - Windshield wiper	10,150
MOULDING - Front door	12,112
MOULDING - Front fender side	8,132
MOULDING - Generator brush box	2,291
MOULDING - Rear door	12,114
MOULDING - Rear quarter	12,116
MOULDING - Rocker panel	8,304
MOULDING - Roof side reveal	12,075
MOULDING - Tail lamp reveal	12,116

MOULDING PACKAGE - Body side	8,132
MOUNTING - Engine	0,027
MOUNTING - Gearshift control	4,010
MOUNTING - Rear shock absorber	12,984
MOUNTING - Trans, support	4,081
MUFFLER	3,701

N

NOZZLE - Carburettor pump	3,758
NOZZLE - Heater outlet	9,779
NOZZLE - Timing gear oil	0,748
NOZZLE - Windshield washer	8,798
NUT - Air cleaner wing	3,410
NUT - Air cond. impeller	9,215
NUT - Battery mounting wing	2,333
NUT - Brake adjusting screw	5,111
NUT - Brake pedal pivot	4,636
NUT - Carburettor fast idle lever	3,792
NUT - Carburettor pump lever	3,781
NUT - Carburettor thermostat lever	3,797
NUT - Clutch fork adjusting	0,839
NUT - Clutch gear bearing retainer	4,357
NUT - Clutch pedal retainer	0,833
NUT - Connecting rod bolt	0,626
NUT - Differential carrier to housing	5,537
NUT - Differential pinion flange	5,545
NUT - Differential side bearing adjusting ...	5,537
NUT - Exhaust pipe to manifold	3,275
NUT - Front fender	8,143
NUT - Front stabilizer shaft mounting	7,242
NUT - Gearshift knob	4,009
NUT - Gearshift lever boot	4,015
NUT - Generator	2,280
NUT - Generator stator terminal	2,310
NUT - Headlamp adjusting	2,729
NUT - Headlamp rim	2,728
NUT - Heater impeller	9,779
NUT - Mat & carpet retainer	15,286
NUT - Rear suspension control arm bolt	5,382
NUT - Shock absorber mounting	7,370
NUT - Spare wheel retaining	7,633
NUT - Starter motor shift lever	2,108
NUT - Starter motor shift pivot pin	2,108
NUT - Starter motor solenoid contact bolt ...	2,102
NUT - Starter motor colenoid switch	2,100
NUT - Starter motor support	2,041
NUT - Steering tie rod	6,234
NUT - Stop light switch	2,447
NUT - Wheel hub bolt	5,813
NUT - Windshield wiper switch	10,163

O

"O" RING - Air conditioner tube	9,220
"O" RING - Gearshift lever boot	4,015
"O" RING - Speedometer driven gear	4,338
"O" RING - Timing chain tensioner housing ..	0,726
OPTIKLEEN	8,800
ORNAMENT - Hood	8,055
OUTLET - Cylinder head water	1,153

P

PACKING - Exhaust pipe	3,611	PIN - Differential pinion shaft lock	5,518
PAD - Brake pedal	4,625	PIN - Distributor gear	2,379
PAD - Clutch pedal	0,830	PIN - Door hinge	10,466
PAD - Front seat back	14,802	PIN - Door window regulator lifter	10,791
PAD - Front seat cushion	14,890	PIN - Dowel	0,033
PAD - Front seat head restraint	14,925	PIN - Fuel pump rocker arm	3,921
PAD - Instrument panel	14,655	PIN - Fuel tank filler door	12,966
PAD - Parking brake pedal	4,591	PIN - Gearshift control tube	4,007
PAD - Rear quarter upper	15,103	PIN - Hood safety catch	8,036
PAD - Rear seat back	15,002	PIN - Parking brake lever	5,158
PAD - Rear seat cushion	15,036	PIN - Piston	0,636
PAD - Rear vision mirror mounting	10,187	PIN - Starter motor shift pivot	2,108
PAD - Windshield wiper armature thrust	10,150	PIN - Steering shaft coupling cotter	6,524
PAD SET - Brake	5,018	PIN - Trans. accumulator piston	4,283
PAN - Engine oil	1,426	PIN - Trans. brake band	4,251
PAN - Front floor	12,972	PIN - Trans. control valve	4,265
PAN - Rear floor	12,981	PIN - Trans. detent cam	4,311
PAN - Trans. oil	4,195	PIN - Trans. pressure reg. valve	4,226
PANEL - Body side frame	12,805	PINION - Steering gear	6,524
PANEL - Centre pillar	12,491	PINION - Trans. planet	4,177
PANEL - Cowl top	12,805	PIPE - Automatic choke heat air inlet	3,720
PANEL - Dash	12,804	PIPE - Brake	4,685
PANEL - Front door	12,895	PIPE - Carburettor fuel	3,201
PANEL - Front end	1,266	PIPE - Clutch main cylinder	0,929
PANEL - Fuse	2,481	PIPE - Exhaust	3,609
PANEL - Hood	8,000	PIPE - Fuel	3,158
PANEL - Instrument	10,230	PIPE - Fuel separator to canister	3,120
PANEL - Instrument panel ashtray mounting	12,030	PIPE - Fuel tank filler	3,003
PANEL - Plenum chamber	12,803	PIPE - Fuel tank to separator	3,120
PANEL - Radiator support	1,270	PIPE - Fuel tank vent	3,003
PANEL - Rear body lock pillar	12,942	PIPE - Radiator overflow	1,219
PANEL - Rear compartment front	12,971	PIPE - Spark control	2,424
PANEL - Rear door	12,913	PIPE - Tail	3,705
PANEL - Rear end	12,966	PIPE - Trans. oil cooler	4,128
PANEL - Rear quarter inner	12,941	PISTON - Brake caliper	4,668
PANEL - Rear quarter outer	12,940	PISTON - Brake main cylinder	4,653
PANEL - Rocker	12,934	PISTON - Brake wheel cylinder	4,668
PANEL - Roof	12,810	PISTON - Carburettor vacuum power	3,788
PANEL - Wheelhouse outer	12,944	PISTON - Clutch actuating cylinder	0,936
PAWL - Door lock cylinder	10,550	PISTON - Clutch main cylinder	0,910
PAWL - Trans. parking lock	4,294	PISTON - Trans. accumulator	4,228
PEDAL - Accelerator	3,451	PISTON - Trans. clutch	4,166
PEDAL - Brake	4,625	PISTON - Trans. servo	4,228
PEDAL - Clutch	0,830	PISTON & PIN	0,629
PEDAL - Parking brake	4,591	PIVOT - Valve rocker arm	0,429
PILLAR - Front body outer	12,805	PIVOT - Windshield wiper	10,159
PIN - Booster push rod clevis	4,662	PLATE - Air cond. evaporator	9,169
PIN - Brake anchor	5,055	PLATE - Battery mounting retainer lock	2,333
PIN - Brake main cylinder rod clevis	4,662	PLATE - Booster relay lever	4,628
PIN - Brake shoe hold down	5,041	PLATE - Brake adjuster lever pivot	5,103
PIN - Camshaft sprocket	0,736	PLATE - Brake backing	5,001
PIN - Carburettor fast idle cam	3,736	PLATE - Brake backing plate mounting lock	5,002
PIN - Carburettor float fulcrum	3,775	PLATE - Brake booster pressure	4,906
PIN - Clutch brace to strut	0,852	PLATE - Brake shoe guide	5,045
PIN - Clutch housing dowel	0,683	PLATE - Clutch	0,886
PIN - Clutch relay lever pivot	0,852	PLATE - Clutch cylinder hole cover	12,803
PIN - Crankcase front cover	0,206	PLATE - Clutch fork guide	0,797
PIN - Cylinder head dowel	0,269	PLATE - Clutch fork sliding	0,797
PIN - Deck lid hinge	12,186	PLATE - Clutch strut insulator	0,852
		PLATE - Deck lid name	12,182
		PLATE - Differential pinion flange lock	5,546
		PLATE - Distributor breaker	2,385
		PLATE - Door lock striker anchor	10,571

HOLDEN "LH" PARTS CATALOGUE

PLATE - Door paint protection	9.658
PLATE - Door window regulator handle	10.797
PLATE - Engine size name	8.132
PLATE - Engine size name	12.182
PLATE - Front door moulding	12.112
PLATE - Front door scuff	11.175
PLATE - Front fender name	8.132
PLATE - Front stabilizer shaft mounting	7.242
PLATE - Fuel pump dia. pulsator cover	3.926
PLATE - Generator diode	2.287
PLATE - Generator drive end	2.305
PLATE - Generator drive end bearing ret. ..	2.307
PLATE - Generator field terminal	2.289
PLATE - Generator slip ring end	2.297
PLATE - Planet pinion shaft	4.177
PLATE - Radiator name	1.265
PLATE - Rear door scuff	11.179
PLATE - Rear vision mirror support mounting	10.187
PLATE - Reverse gear anti-lash	4.419
PLATE - Shock absorber mounting	7.370
PLATE - Starter motor brush holder	2.052
PLATE - Starter motor pinion thrust	2.087
PLATE - Steering gear housing pinion cover .	6.807
PLATE - Trans. clutch	4.163
PLATE - Trans. control cover	4.038
PLATE - Trans. control ind. lamp	4.038
PLATE - Trans. oil pump wear	4.226
PLATE - Trans. synchronizer	4.384
PLATE - Trans. transfer	4.265
PLATE - Windshield wiper motor cover	10.150
PLUG - Axle housing	5.400
PLUG - Brake main cylinder	4.652
PLUG - Camshaft rear bearing	0.553
PLUG - Carburettor	3.767
PLUG - Carburettor main metering jet	3.755
PLUG - Carburettor pump check valve	3.784
PLUG - Choke control hole	9.743
PLUG - Cylinder block	0.033
PLUG - Cylinder block oil gallery	1.928
PLUG - Cylinder head	0.269
PLUG - Door weatherstrip	10.695
PLUG - Fuel pump rocker arm	3.921
PLUG - Oil pan drain	1.453
PLUG - Oil pressure regulator spring	1.611
PLUG - Oil pump cover	1.723
PLUG - Spark	2.270
PLUG - Transmission	4.103
PLUG - Trans. control valve	4.265
PLUNGER - Cigarette lighter	9.709
PLUNGER - Front door jamb switch	11.950
PLUNGER - Gearshift lever	4.006
PLUNGER - Hood lock	8.085
PLUNGER - Parking brake warning lamp switch	4.610
PLUNGER - Rear compartment lamp switch .	11.960
PLUNGER - Trans. vac. modulator	4.265
POINTER - Trans. control indicator	4.038
PROTECTOR - Brake main cylinder piston ..	4.654
PROTECTOR - Brake pipe	4.685
PROTECTOR - Fuel tank filler pipe	3.003
PULLEY - Crankshaft	0.659
PULLEY - Generator	2.274
PULLEY - Water pump	1.062
PULSATOR - Fuel pump diaphragm	3.926

PUMP - Fuel	3.900
PUMP - Oil	1.652
PUMP - Water	1.069
PUMP - Windshield washer	8.798

R

RACE - Trans. input sprag	4.158
RACK - Steering gear	6.525
RACK & ROD - Ignition switch actuator	2.195
RADIATOR	1.219
RADIO	9.662
RAIL - Roller chain guide	0.724
RAIL - Roller chain slide	0.726
RAIL - Roof side	12.956
RECEIVER & DEHYDRATOR - Air cond.	9.195
RECLINER - Front seat	11.388
RECTIFIER - Generator	2.289
REGULATOR - Combined instrument voltage .	2.515
REGULATOR - Front door window	10.783
REGULATOR - Rear door window	10.791
REGULATOR - Voltage & current	2.500
REINFORCEMENT - Body side frame	12.805
REINFORCEMENT - Rear body lock pillar	12.942
REINFORCEMENT - Rear compt. lid opening .	12.971
REINFORCEMENT - Tail pipe support insulator	9.710
REINFORCEMENT - Trans. support mounting .	4.081
REINFORCEMENT - Trans. transfer plate	4.265
REINFORCEMENT - Valve rocker cover	0.413
RELAY - Air conditioner	9.275
RELAY - Horn	2.815
REPAIR KIT - Brake booster	4.902
REPAIR KIT - Brake caliper	4.667
REPAIR KIT - Brake main cylinder	4.649
REPAIR KIT - Brake wheel cylinder	4.665
REPAIR KIT - Carburettor	3.725
REPAIR KIT - Fuel pump	3.901
REPAIR KIT - Starter motor shift	2.108
REPAIR KIT - Transmission	4.003
REPAIR KIT - Water pump	1.071
RESERVOIR - Clutch main cylinder	0.906
RESERVOIR - Windshield washer	8.798
RESISTOR - Air conditioner	9.275
RESONATOR	3.701
RETAINER - Air cleaner breather	3.410
RETAINER - Air cleaner pre-heat diaphragm .	3.415
RETAINER - Battery mounting	2.333
RETAINER - Booster relay push rod	4.658
RETAINER - Brake main cylinder piston spring	4.655
RETAINER - Clutch gear bearing	4.356
RETAINER - Clutch relay lever pin	0.852
RETAINER - Console lid	15.292
RETAINER - Deck lid lock cylinder	12.248
RETAINER - Distributor	2.414
RETAINER - Distributor breaker plate ball ...	2.385
RETAINER - Door glass run channel	10.701
RETAINER - Door lock cylinder	10.553
RETAINER - Door lock striker anchor plate ..	10.571
RETAINER - Gearshift control rod	4.040
RETAINER - Gearshift control shaft	4.030
RETAINER - Gearshift 1st & rev. shift	4.020
RETAINER - Gearshift lever boot	4.015
RETAINER - Gearshift 2nd & 3rd shift	4.019

HOLDEN "LH" PARTS CATALOGUE

RETAINER - Hood catch spring	8.085	ROD - Deck lid hinge torque	12.187
RETAINER - Rear axle bearing	5.816	ROD - Door control connecting	10.556
RETAINER - Rear door moulding	12.114	ROD - Door inside locking	10.563
RETAINER - Rear seat back	11.634	ROD - Door lock cylinder connector	10.507
RETAINER - Rocker panel moulding	8.304	ROD - Door lock remote control	10.506
RETAINER - Spare wheel mounting bolt	7.632	ROD - Door outside handle	10.529
RETAINER - Spark plug wire	2.251	ROD - Gearshift control	4.040
RETAINER - Speedometer cable	4.342	ROD - Gearshift 1st & rev. shift	4.020
RETAINER - Steering shaft upper bearing ...	6.521	ROD - Gearshift 2nd & 3rd shift	4.019
RETAINER - Throttle cable	3.430	ROD - Lighting switch control	2.486
RETAINER - Trans. control indicator bulb ..	4.038	ROD - Parking brake pedal release	4.594
RETAINER - Trans. oil pump valve	4.226	ROD - Steering tie	6.230
RETAINER - Trans. servo piston	4.233	ROD - Trans. servo piston	4.230
RETAINER - Valve lifter plunger	0.459	ROD - Transmission shifter	4.035
RIM - Headlamp	2.728	ROD - Valve push	0.426
RING - Brake main cylinder lock	4.656	ROLLER - Door hinge detent	10.466
RING - Camshaft gear spacing	0.738	ROLLER - Door window regulator	10.791
RING - Carb. thermostat cover retaining ...	3.796	ROLLER & SPRING - Trans. man. detent	4.279
RING - Clutch gear bearing	4.376	ROTATOR - Exhaust valve	0.309
RING - Clutch main cylinder lock	0.914	ROTOR - Distributor	2.382
RING - Distributor cam spacer	2.381	ROTOR - Generator	2.279
RING - Headlamp mounting	2.726	ROTOR - Water pump	1.109
RING - Headlamp retaining	2.731		
RING - Main shaft rear bearing	4.412	S	
RING - Rear axle bearing retainer	5.816	SCREEN - Carb. pump strainer	3.787
RING - Starter motor collar retaining	2.096	SCREEN - Engine oil pump	1.656
RING - Starter motor pinion lock	2.087	SCREEN - Fuel pump	3.929
RING - Steering shaft upper	6.521	SCREEN - Radiator insect	9.665
RING - Trans. accumulator piston	4.127	SCREEN - Trans. governor valve	4.256
RING - Trans. accumulator piston ret.	4.128	SCREEN - Trans. oil pump	4.224
RING - Trans. bearing	4.412	SCREW - Brake adjusting	5.110
RING - Trans. clutch piston ret.	4.128	SCREW - Brake hose bracket	4.681
RING - Trans. clutch ret.	4.128	SCREW - Brake main cylinder piston	4.656
RING - Trans. detent cam	4.311	SCREW - Brake main cylinder piston stop ...	4.653
RING - Trans. governor hub	4.127	SCREW - Camshaft stop	0.736
RING - Trans. governor ret.	4.128	SCREW - Carburettor air horn	3.763
RING - Trans. parking lock	4.294	SCREW - Carburettor air idle valve	3.766
RING - Trans. ring gear ret.	4.128	SCREW - Carburettor choke kick diaphragm ..	3.799
RING - Trans. second clutch	4.127	SCREW - Carburettor choke valve	3.789
RING - Trans. servo piston	4.127	SCREW - Carburettor fast idle	3.737
RING - Trans. servo piston ret.	4.128	SCREW - Carburettor main body	3.748
RING - Trans. synchronizer	4.383	SCREW - Carburettor pump nozzle	3.759
RING - Trans. synchronizer snap	4.382	SCREW - Carburettor slow idle adjusting	3.734
RING - Universal joint bearing	5.586	SCREW - Carburettor throttle valve	3.729
RING GEAR & PINION - Differential	5.529	SCREW - Clutch cover to housing	0.679
RING KIT - Transmission seal	4.127	SCREW - Distributor breaker plate support ...	2.385
RING SET - Piston	0.643	SCREW - Distributor condenser	2.330
RIVET - Door hinge detent lever	10.466	SCREW - Distributor contact breaker	2.387
ROD - Air cleaner	3.403	SCREW - Front fender	8.143
ROD - Booster relay push	4.658	SCREW - Fuel pump cover	3.910
ROD - Brake booster push	4.907	SCREW - Fuel pump mounting	3.906
ROD - Brake main cylinder push	4.658	SCREW - Gearshift control rod	4.040
ROD - Carburettor choke	3.798	SCREW - Gearshift 1st & rev. shift	4.020
ROD - Carb. choke kick diaphragm	3.799	SCREW - Gearshift 2nd & 3rd shift	4.019
ROD - Carb. fast idle	3.793	SCREW - Generator brush holder mounting ...	2.281
ROD - Carb. float chamber ventilator valve	3.764	SCREW - Headlamp adjusting	2.707
ROD - Carb. metering	3.806	SCREW - Headlamp rim	2.728
ROD - Carb. pump	3.782	SCREW - Horn contact adjusting	2.819
ROD - Carb. volume restrictor	3.753	SCREW - Instrument panel pad	14.655
ROD - Clutch fork push	0.839	SCREW - Planet pinion shaft	4.177
ROD - Clutch main cylinder push	0.918	SCREW - Rear vision mirror	10.185
ROD - Clutch pull	0.839	SCREW - Starter motor armature bearing cap.	2.063
ROD - Connecting	0.603		

HOLDEN "LH" PARTS CATALOGUE

SCREW - Starter motor brush holder	2.052	SEAT - Trans. clutch piston spring	4.165
SCREW - Starter motor pole shoe	2.077	SEAT - Trans. press. reg. valve	4.226
SCREW - Starter motor shift pivot	2.108	SEAT - Trans. reverse clutch piston spring...	4.189
SCREW - Starter motor solenoid cover	2.102	SEAT - Trans. shift control valve	4.265
SCREW - Starter motor solenoid switch	2.100	SEAT - Water pump seal	1.123
SCREW - Tail, stop & turn signal lamp lens.	2.682	SEAT PACKAGE - Child & infant safety	9.675
SCREW - Trans. governor body	4.256	SECTOR - Ignition switch actuator	2.195
SCREW - Trans. oil pan	4.195	SENDER UNIT - Engine thermo	0.277
SCREW - Turn signal lamp	2.589	SENDER UNIT - Oil pressure	1.803
SCREW - Voltage & current regulator	2.500	SEPARATOR - Fuel vapour	3.120
SCREW - Windshield wiper motor	10.150	SERVICE SET - Radiator	1.219
SCREW & WASHER - Diff. pinion nose bracket	5.395	SHADE - Venetian	9.668
SEAL - Air cond. air inlet	9.211	SHAFT - Air cond. control lever	9.278
SEAL - Air cond. evaporator	9.169	SHAFT - Booster relay lever	4.628
SEAL - Air cond. resistor	9.275	SHAFT - Carburettor choke	3.791
SEAL - Body side rear	12.948	SHAFT - Carburettor throttle	3.731
SEAL - Brake booster shell	4.908	SHAFT - Clutch pedal pivot	0.833
SEAL - Brake main cylinder piston	4.654	SHAFT - Counter gear	4.428
SEAL - Carb. vacuum housing	3.766	SHAFT - Differential pinion	5.517
SEAL - Clutch actuating cylinder	0.935	SHAFT - Distributor	2.372
SEAL - Clutch gear oil	4.354	SHAFT - Front stabilizer	7.241
SEAL - Clutch main cylinder push rod	0.924	SHAFT - Gearshift control lever	4.030
SEAL - Converter housing	0.683	SHAFT - Gearshift control lever	4.040
SEAL - Crankcase front end cover oil	0.209	SHAFT - Ignition switch actuator sector	2.195
SEAL - Crankshaft rear bearing oil	0.137	SHAFT - Oil pump driven gear	1.658
SEAL - Front door inner panel	14.694	SHAFT - Propeller	5.441
SEAL - Front door lock	10.470	SHAFT - Rear axle	5.420
SEAL - Front fender	8.154	SHAFT - Rear stabilizer	5.415
SEAL - Front wheel bearing	6.326	SHAFT - Reverse idler gear	4.433
SEAL - Fuel gauge tank unit	3.112	SHAFT - Steering	6.524
SEAL - Fuel pump cover	3.910	SHAFT - Trans. main	4.403
SEAL - Fuel pump oil	3.902	SHAFT - Trans. parking lock	4.294
SEAL - Gearshift lever	4.015	SHAFT - Trans. planet pinion	4.177
SEAL - Heater air inlet	9.779	SHAFT - Trans. shifter pinion	4.309
SEAL - Oil pan	1.429	SHAFT - Upper control arm	6.164
SEAL - Parking lock & range sel. oil	4.282	SHAFT & BEARING - Water pump	1.108
SEAL - Rear axle bearing oil	5.822	SHAFT & LEVER - Throttle control	3.430
SEAL - Rear axle pinion oil	5.469	SHELF - Parcel	9.672
SEAL - Rear door ashtray	12.030	SHIELD - Brake caliper	5.011
SEAL - Rear door inner panel	14.768	SHIELD - Bumper bar stone	7.870
SEAL - Rear door lock	10.473	SHIELD - Carburettor to manifold	3.725
SEAL - Shroud ventilator grille	10.307	SHIELD - Distributor moisture	2.371
SEAL - Speedometer cable	4.342	SHIELD - Valve stem	0.308
SEAL - Steering column to dash	6.758	SHIM - Distributor thrust	2.372
SEAL - Steering gear housing pinion oil	6.809	SHIM - Front fender	8.131
SEAL - Trans. clutch piston	4.166	SHIM - Pinion bearing	5.460
SEAL - Trans. detent valve oil	4.279	SHIM - Rear stabilizer shaft	5.415
SEAL - Trans. oil filler tube	4.133	SHIM - Steering gear pinion cover plate	6.809
SEAL - Trans. oil pump	4.226	SHIM - Upper control shaft	6.163
SEAL - Trans. rear ext. housing	4.317	SHIM UNIT - Crankshaft bearing	0.153
SEAL - Trans. shifter shaft	4.309	SHOCK ABSORBER - Front	7.345
SEAL - Trans. vac. mod valve oil	4.265	SHOE & LINING - Brake	5.017
SEAL - Valve push rod cover bolt	0.449	SHROUD - Radiator fan	1.270
SEAL - Valve stem	0.308	SILENCER - Plenum chamber	12.803
SEAL - Water pump	1.123	SINK - Generator heat	2.289
SEAL - Windshield wiper motor	10.152	SKIRT - Front fender	8.153
SEAL KIT - Ball joint	6.168	SLEEVE - Converter pilot	0.649
SEAL KIT - Transmission	4.005	SLEEVE - Front seat belt protector	14.798
SEALED BEAM UNIT - Headlamp	2.727	SLEEVE - Gearshift control rod	4.040
SEALER	8.800	SLEEVE - Gearshift control rod	4.040
SEAT - Front	14.796	SLEEVE - Gearshift 1st & rev. shift	4.020
SEAT - Fuel pump bowl	3.905	SLEEVE - Gearshift 2nd & 3rd shift	4.019
SEAT - Steering tie rod ball	6.235	SLEEVE - Pressure reg. boost valve	4.226
		SLEEVE - Reaction sun gear bearing	4.177

HOLDEN "LH" PARTS CATALOGUE

SLEEVE - Rear seat belt protector	15,040	SPRING - Carb, slow idle adjusting screw	3,734
SLEEVE - Trans, detent valve	4,279	SPRING - Carb, vacuum power piston	3,788
SLEEVE - Trans, parking lock pawl	4,294	SPRING - Clutch actuating cylinder	0,938
SLEEVE - Trans, reverse detent	4,309	SPRING - Clutch fork return	0,844
SLEEVE - Trans, shift control valve	4,265	SPRING - Clutch fork sliding plate	0,798
SLEEVE - Trans, vac, mod, valve	4,265	SPRING - Clutch main cylinder piston	0,913
SLEEVE - Vacuum modulator pipe	4,205	SPRING - Console lid	15,230
SLIDE - Trans, control indicator	4,038	SPRING - Distributor cap retaining	2,368
SLINGER - Differential pinion	5,545	SPRING - Distributor weight	2,389
SLIP RING - Generator rotor	2,279	SPRING - Door hinge detent lever	10,466
SOCKET - Body wiring harness	13,090	SPRING - Door lock over centre	10,475
SOCKET - Brake adjusting screw	5,111	SPRING - Door window regulator handle	10,797
SOCKET - Rear licence plate lamp	2,700	SPRING - Door window regulator handle escut. .	10,806
SOCKET - Steering tie rod ball	6,233	SPRING - Float chamber ventilator valve	3,764
SOLENOID - Trans, detent	4,265	SPRING - Front	6,361
SPACER - Air cond, compressor	9,171	SPRING - Front door jamb switch	11,950
SPACER - Air cond, condenser	9,190	SPRING - Front seat adjuster	11,581
SPACER - Brake caliper key	5,020	SPRING - Front seat cushion	11,421
SPACER - Brake pedal mounting	4,636	SPRING - Front seat remote control handle ..	11,581
SPACER - Brake pedal pivot	4,628	SPRING - Fuel pump diaphragm	3,927
SPACER - Bumper bar mounting	7,836	SPRING - Fuel pump rocker arm	3,922
SPACER - Carburettor main body insulating .	3,748	SPRING - Fuel tank filler door	12,986
SPACER - Carburettor thermostat housing ...	3,796	SPRING - Gearshift control	4,017
SPACER - Clutch main cylinder mounting ..	0,903	SPRING - Gearshift control button	4,009
SPACER - Counter shaft bearing	4,423	SPRING - Gearshift lever plunger	4,006
SPACER - Engine rear mounting support	12,982	SPRING - Gearshift lever preload	4,006
SPACER - Fan blade	1,064	SPRING - Generator brush	2,286
SPACER - Front door window anti-rattle	10,685	SPRING - Headlamp light unit retaining	2,737
SPACER - Front seat belt	14,798	SPRING - Hood catch	8,085
SPACER - Front stabilizer	7,240	SPRING - Hood catch lock plate	8,081
SPACER - Gearshift control lower	4,019	SPRING - Hood hinge	8,013
SPACER - Gearshift support	4,018	SPRING - Hood safty catch	8,036
SPACER - Generator brace	2,317	SPRING - Ignition switch actuator rack	2,195
SPACER - Pinion bearing	5,453	SPRING - Oil pressure regulator	1,610
SPACER - Planet pinion bearing	4,177	SPRING - Parking brake release rod retaining .	4,606
SPACER - Rear seat back	15,002	SPRING - Parking brake strut	5,151
SPACER - Rear stablizer shaft	5,415	SPRING - Parking brake warning lamp switch .	4,610
SPACER - Reverse idler gear	4,431	SPRING - Radio antenna switch	9,662
SPACER - Steering gear pinion upper	6,524	SPRING - Rear	7,503
SPACER - Trans, clutch plate	4,163	SPRING - Rear compartment lamp switch	11,960
SPACER - Trans, support mounting	4,081	SPRING - Rear seat back	11,629
SPEAKER - Radio	9,662	SPRING - Rear seat cushion	11,611
SPEEDOMETER	2,515	SPRING - Reverse gear anti-lash	4,419
SPOILER - Rear compartment lid	12,967	SPRING - Reverse lock out	4,030
SPRAG - Trans, input	4,158	SPRING - Starter motor brush	2,053
SPRING - Accelerator pedal tension	3,459	SPRING - Starter motor pinion engaging	2,087
SPRING - Accelerator return	3,459	SPRING - Steering gear housing cover plate ..	6,807
SPRING - Air cond, control detent	9,278	SPRING - Steering shaft upper	6,521
SPRING - Brake adjuster	5,107	SPRING - Steering tie rod ball	6,235
SPRING - Brake adjusting nut	5,026	SPRING - Steering tie rod ball boot	6,233
SPRING - Brake caliper	5,020	SPRING - Throttle lever return	3,731
SPRING - Brake main cylinder check valve .	4,657	SPRING - Trans, accumulator piston	4,233
SPRING - Brake main cylinder piston	4,655	SPRING - Trans, clutch piston	4,164
SPRING - Brake pedal return	4,639	SPRING - Trans, detent cam	4,311
SPRING - Brake shoe hold down pin	5,043	SPRING - Trans, detent valve	4,279
SPRING - Brake shoe retractor	5,026	SPRING - Trans, governor valve	4,256
SPRING - Brake wheel cylinder cup	4,669	SPRING - Trans, oil pump	4,226
SPRING - Carb, fast idle screw	3,737	SPRING - Trans, parking lock	4,295
SPRING - Carb, float fulcrum pin	3,775	SPRING - Trans, reg, pressure valve	4,236
SPRING - Carb, idle needle valve	3,742	SPRING - Trans, servo piston	4,233
SPRING - Carb, idle vent stem	3,764	SPRING - Trans, shift control valve	4,265
SPRING - Carb, metering rod	3,810	SPRING - Trans, synchronizer	4,383
SPRING - Carb, pump stem	3,779	SPRING - Turn signal lamp cancel	2,895

HOLDEN "LH" PARTS CATALOGUE

SPRING - Turn signal lamp detent	2,895
SPRING - Turn signal lamp socket	2,586
SPRING - Valve	0,303
SPRING - Window regulator clutch	10,791
SPRING & FRAME - Front seat	11,373
SPRING & FRAME - Rear seat back	11,628
SPRING & FRAME - Rear seat cushion	11,610
SPROCKET - Camshaft	0,736
SPROCKET - Crankshaft	0,728
STATOR - Generator	2,310
STEM - Carburettor idle vent	3,764
STOP - Brake main cylinder primary piston ..	4,653
STOP - Starter motor pinion	2,096
STOVE - Air pre-heat	3,417
STRAINER - Fuel tank riser pipe	3,110
STRAP - Fuel tank support	3,001
STRAP - Starter & ground cables retaining ..	2,342
STRAP - Throttle cable to radiator hose	3,430
STRAP - Windshield wiper motor earth	10,150
STRAP & BRACKET KIT - Radiator	1,219
STRIKER - Door lock	10,569
STRIKER - Instrument panel comp. lock	10,268
STRIP - Bumper bar rubbing	7,831
STRUT - Parking brake	5,150
STUD - Carburettor to manifold	3,288
STUD - Clutch fork ball	0,796
STUD - Inlet & exhaust manifold	3,275
SUNDRY PARTS SET - Generator	2,315
SUNDRY PARTS SET - Generator drive end ..	2,307
SUNDRY PARTS SET - Starter motor	2,080
SUNSHADE - Windshield	9,680
SUN VISOR	10,203
SUPPORT - Air cond. compressor	9,171
SUPPORT - Brake booster mounting	4,901
SUPPORT - Bumper bar mounting bracket ..	7,836
SUPPORT - Camshaft gear	0,732
SUPPORT - Engine	0,027
SUPPORT - Engine rear mounting	12,982
SUPPORT - Front seat adjuster	11,573
SUPPORT - Front seat adjuster lever	11,561
SUPPORT - Gearshift control	4,010
SUPPORT - Gearshift lever	4,018
SUPPORT - Generator mounting	2,277
SUPPORT - Horn contact	2,822
SUPPORT - Muffler	3,704
SUPPORT - Rear vision mirror	10,187
SUPPORT - Spark plug wire	2,251
SUPPORT - Starter motor	2,041
SUPPORT - Sun visor	10,219
SUPPORT - Tail lamp	12,940
SWITCH - Air conditioner	9,275
SWITCH - Back-up lamp	2,697
SWITCH - Brake pressure warning	4,686
SWITCH - Dimmer	2,459
SWITCH - Heater blower	9,779
SWITCH - Ignition & starting	2,188
SWITCH - Lighting	2,485
SWITCH - Neutral start safety	4,054
SWITCH - Oil pressure tell-tale	1,803
SWITCH - Radio antenna	9,662
SWITCH - Solenoid detent actuating	4,054
SWITCH - Starter motor solenoid	2,100
SWITCH - Stop light	2,447

SWITCH - Thermo tell-tale	0,277
SWITCH - Turn signal lamp	2,895
SWITCH - Windshield wiper	10,163
SYNCHRONIZER - Transmission	4,380

T

TACHOMETER	2,515
TAG - Shock absorber caution	7,345
TAG - Shock absorber caution	8,823
TANK - Fuel	3,001
TEE - Air cond. vacuum hose	9,281
TEE - Windshield washer hose	8,798
TENSIONER - Timing chain	0,726
TERMINAL - Generator	2,289
TERMINAL BLOCK - Windshield wiper motor ..	10,150
THERMOSTAT	1,246
TIMING GEAR PACKAGE	0,736
TIMING PARTS KIT	0,732
TONGUE - Tow bar	9,600
TRANSFER - Air cleaner	3,402
TRANSFER - Front fender	8,132
TRANSFER - Rear compartment lid spoiler ...	12,967
TRANSMISSION	4,003
TRAY - Battery mounting	2,333
TRIM - Centre pillar	14,730
TRIM - Cowl side	14,630
TRIM - Front door	14,685
TRIM - Front door garnish	14,691
TRIM - Front seat back rear	14,803
TRIM - Package tray	15,024
TRIM - Rear door	14,760
TRIM - Rear door garnish	14,764
TRIM - Rear quarter side lower	15,100
TRUNNION - Booster relay push rod	4,662
TRUNNION - Gearshift control rod	4,040
TRUNNION - Gearshift 1st & rev. shift	4,020
TRUNNION - Gearshift 2nd & 3rd shift	4,019
TRUNNION - Trans. shifter rod	4,035
TUBE - Air cleaner vacuum	3,417
TUBE - Air conditioner	9,220
TUBE - Air cond. drain	9,211
TUBE - Air cond. P.O.A.S.T. valve	9,199
TUBE - Air cond. rec. & dehydrator	9,196
TUBE - Carburettor idle	3,752
TUBE - Carburettor injector	3,757
TUBE - Carburettor spark vacuum	3,748
TUBE - Carburettor vent	3,763
TUBE - Engine oil level indicator	1,516
TUBE - Exhaust manifold choke heat	3,603
TUBE - Gearshift control	4,007
TUBE - Heater	9,779
TUBE - Plenum chamber drain	9,785
TUBE - Shock absorber inflation	7,347
TUBE - Trans. oil filler	4,133
TUMBLER - Ignition lock	2,188

U

"U" BOLT - Front stabilizer shaft mounting ..	7,242
"U" BOLT - Universal joint	5,586
UNION - Brake pipe	4,686

V

VACUUM CONTROL - Distributor	2,410
VACUUM TANK - Air conditioner	9,169
VALVE - Air cond, P.O.A.S.T.	9,198
VALVE - Air cond, vacuum	9,280
VALVE - Brake main cylinder check	4,657
VALVE - Brake pressure warning switch	4,686
VALVE - Brake vacuum servo booster check	4,904
VALVE - Brake wheel cylinder bleeder	4,666
VALVE - Carburettor air idle	3,766
VALVE - Carburettor choke	3,789
VALVE - Carburettor enrichment	3,757
VALVE - Carburettor hot idle compensator	3,766
VALVE - Carburettor idle vent	3,764
VALVE - Carburettor needle	3,741
VALVE - Carburettor pump check	3,784
VALVE - Carburettor throttle	3,729
VALVE - Clutch actuating cylinder bleeder	0,940
VALVE - Crankcase ventilator	1,762
VALVE - Exhaust	0,297
VALVE - Inlet	0,296
VALVE - Oil filter by-pass	1,837
VALVE - Oil pressure regulator	1,609
VALVE - Rear body lock pillar	12,942
VALVE - Trans, detent	4,279
VALVE - Trans, governor	4,256
VALVE - Trans, manual	4,265
VALVE - Trans, oil pump priming	4,200
VALVE - Trans, pressure regulator	4,226
VALVE - Trans, pressure reg. boost	4,226
VALVE - Trans, shift control	4,265
VALVE - Trans, vac. modulator	4,265
VALVE - Windshield washer	8,798
VALVE ASSY. - Air cond, water	9,275
VALVE BODY ASSY. - Trans, oil control ..	4,265
VALVE & CAGE - Fuel pump	3,909
VALVE & SEAT - Carburettor float needle ..	3,771
VALVE & SHIELD - Air cleaner thermal	3,415
VALVES-IN-RECEIVER - Air cond.....	9,195
VANE - Air outlet vent	9,779
VENT - Transmission	4,104
VENTURI - Carburettor	3,786

W

WASHER - Air cond, control lever.....	9,278
WASHER - Air cond, impeller	9,215
WASHER - Booster relay lever	4,628
WASHER - Brake adjusting screw	5,110
WASHER - Brake hose	4,680
WASHER - Brake main cylinder plug	4,652
WASHER - Brake pedal mounting spacer	4,636
WASHER - Carburettor fast idle lever	3,792
WASHER - Carburettor pump lever.....	3,781
WASHER - Counter shaft bearing	4,423
WASHER - Differential carrier to housing bolt ..	5,387
WASHER - Differential pinion flange	5,545
WASHER - Differential pinion thrust	5,542
WASHER - Differential side gear thrust	5,543
WASHER - Distributor cam retainer	2,381

WASHER - Dist, contact breaker screw	2,387
WASHER - Dist, thrust	2,372
WASHER - Door lock striker	10,571
WASHER - Gearshift control rod	4,040
WASHER - Gearshift 1st & rev, shift	4,020
WASHER - Gearshift lever preload	4,030
WASHER - Gearshift 2nd & 3rd shift	4,019
WASHER - Generator	2,280
WASHER - Generator stator terminal	2,310
WASHER - Heater impeller	9,779
WASHER - Parking brake lever	5,158
WASHER - Planet pinion	4,177
WASHER - Rear seat back retainer	11,634
WASHER - Reverse idler gear	4,432
WASHER - Seat belt retractor	14,798
WASHER - Starter motor armature bearing cap ..	2,063
WASHER - Starter motor brush holder	2,052
WASHER - Starter motor support	2,041
WASHER - Starter motor through bolt	2,077
WASHER - Steering knuckle spindle nut	6,321
WASHER - Trans, clutch thrust	4,129
WASHER - Trans, detent	4,311
WASHER - Trans, input sun gear	4,177
WASHER - Trans, sun gear thrust	4,129
WASHER - Windshield wiper motor	10,150
WEATHERSHIELD - Door	9,684
WEATHERSTRIP - Deck lid	12,269
WEATHERSTRIP - Door	10,694
WEATHERSTRIP - Door belt	10,710
WEATHERSTRIP - Rear door fixed glass	10,822
WEATHERSTRIP - Rear door glass lifter channel ..	10,696
WEIGHT - Distributor	2,388
WHEEL - Road	5,803
WHEEL - Steering	6,513
WICK - Distributor	2,364
WIRE - Front seat adjuster	11,589
WIRE - Headlining listing	12,955
WIRE UNIT - Spark plug & distributor	2,239
WRENCH - Wheel nut	8,821

Y

YOKE - Steering gear rack support.....	6,525
YOKE - Universal joint	5,555

ENGINE - CLUTCH

POWER PLANT MOUNTING - 4 Cyl. Eng.	34
POWER PLANT MOUNTING - 6 Cyl. Eng.	35
POWER PLANT MOUNTING - 8 Cyl. Eng.	36
ENGINE ASSEMBLY - 4 Cyl.	37
FRONT COVER & COMPONENTS - 4 Cyl. Eng. ...	38-39
CYL BLOCK & OIL PAN - 4 Cyl. Eng.	40-41
CYLINDER HEAD - 4 Cyl. Eng.	42-43
ENGINE ASSEMBLY - 6 Cyl.	44
CYLINDER BLOCK - 6 Cyl. Eng.	45
ENGINE ASSEMBLY - 8 Cyl.	46
ENGINE ASSEMBLY - 8 Cyl. (End view)	47
VALVE OPERATING MECHANISM - 6, 8 Cyl. ...	48
CLUTCH PEDAL - 4 Cyl. Eng.	49
CLUTCH PEDAL - 6 Cyl. Eng. - R.H.D.	50
CLUTCH PEDAL - 6,8 Cyl. Eng. - L.H.D.	51
CLUTCH PEDAL - 8 Cyl. Eng. - R.H.D.	52
CLUTCH CONTROL - 4 Cyl. Eng.	53
CLUTCH CONTROL - 6 Cyl. Eng. - R.H.D.	54
CLUTCH CONTROL - 6 Cyl. Eng. - L.H.D.	55
CLUTCH CONTROL - 8 Cyl. Eng. - R.H.D.	56
FLYWHEEL, CLUTCH & HOUSING - 4 Cyl. Eng. ...	57
FLYWHEEL, CLUTCH - 6,8 Cyl. Eng.	58
CLUTCH MAIN CYLINDER - L.H.D.	59
CLUTCH ACTUATING CYLINDER - L.H.D.	60

COOLING - GRILLE - OILING

FAN BLADE - 4 Cyl. Eng.	82
FAN BLADE & PULLEY - 6 Cyl. Eng.	83
FAN BLADE & PULLEY - 8 Cyl. Eng. exc. A/Cond	84
FAN BLADE & PULLEY - 8 Cyl. Eng. with A/Cond	85
WATER PUMP - 6,8 Cyl. Eng.	86
RADIATOR ASSY. - 4 Cyl. Eng. exc. A/Cond....	87
RADIATOR ASSY. - 4 Cyl. Eng. with A/Cond. ...	88
RADIATOR ASSY. - 6 Cyl. Eng.	89
RADIATOR ASSY. - 8 Cyl. Eng.	90
RADIATOR GRILLE	91
FRONT END PANELS	92
GRILLE ORNAMENTATION	93
OIL PUMP & PAN - 4 Cyl. Eng.	94
OIL INDICATOR & FILLER CAP	95
ENGINE BREATHER - 6 Cyl. Eng.	96
ENGINE BREATHER - 8 Cyl. Eng.	97
OIL PUMP - 6,8 Cyl. Eng.	98

ELECTRICAL - INSTRUMENTS

STARTER MOTOR - Delco Remy - 4 Cyl. Eng. ...	108-109
STARTER MOTOR - Lucas - 6 Cyl. Eng.	110
STARTER MOTOR - Bosch	111
GENERATOR & COIL - 6 Cyl. Eng.	112
ELECT. UNITS ATTACH. PARTS - 8 Cyl. Eng. exc. L.34 Opt.	113
COIL & ATTACHING PARTS - L.34 Opt.	114
GENERATOR & COIL - 4 Cyl. Eng.	115
GENERATOR - 4 Cyl. Eng.	116-117
GENERATOR - Lucas	118
GENERATOR - Bosch - 6,8 Cyl. Eng.	119
DISTRIBUTOR - Delco Remy - 4 Cyl. Eng.	120-121
DISTRIBUTOR - Bosch - 6 Cyl. Eng.	122-123
DISTRIBUTOR - Lucas - 6 Cyl. Eng.	124
DISTRIBUTOR - Bosch - 8 Cyl. Eng.	125

ELECTRICAL - INSTRUMENTS (Cont'd)

DISTRIBUTOR - L34 Opt.	126
SPARK CONTROL PIPE - 6 Cyl. Eng.	127
BATTERY MOUNTING	128
BATTERY CABLES	129
IGNITION LOCK & SWITCH	130
LIGHT SWITCH - DIMMER SWITCH	131
INSTRUMENT & CONTROL PANEL	132-133
FACIA & INSTRUMENT ASSEMBLY	134
TURN SIGNAL LAMP	135
TAIL, STOP & TURN SIGNAL LAMP ASSY.	136
HEADLAMP ASSEMBLY	137
BACK-UP LAMP SWITCH - FUSE PANEL	138
HORN & RELAY	139
STEERING WHEEL & HORN BAR - exc. SLR & GPak	140
STEERING WHEEL & HORN BAR - SLR & GPak ...	141

FUEL - EXHAUST - CARBURETTOR

FUEL TANK - Prior to Evap. Emission Control ...	164
FUEL TANK - EVAPORATIVE EMISSION CONT. ...	165
FUEL TANK STONE GUARD	166
PIPES & HOSES - EVAP. EMISSION CONTROL ...	167
HOSES - E.E.C. - 4 Cyl. Eng.	168
HOSES - E.E.C. - 6 Cyl. Eng.	169
HOSES - E.E.C. - 4.2 Litre Eng.	170
HOSES - E.E.C. - 5 Litre Eng.	171
FUEL LINES	172
FUEL LINES - L34 Opt.	173
VACUUM ADAPTORS - 4 Cyl. Eng.	174
VACUUM ADAPTORS 6,8 Cyl. Eng.	175
AIR CLEANER & CARBURETTOR - 6 Cyl. Eng. ...	176
AIR CLEANER & CARBURETTOR - 4.2 Litre Eng. ...	177
AIR CLEANER - EMISSION CONTROL - 8 Cyl. Eng.	178
AIR PRE-HEAT SYSTEM	179
THROTTLE CONTROL - 4 Cyl. Eng.	180
THROTTLE CONTROL - 6 Cyl. Eng.	181
THROTTLE CONTROL - 8 Cyl. Eng.	182
ACCELERATOR LEVER & PEDAL	183
EXHAUST SYSTEM - 4 Cyl. Eng.	184
EXHAUST SYSTEM - 6 Cyl. Eng.	185
SINGLE EXHAUST SYSTEM - 8 Cyl. Eng.	186-187
DUAL EXHAUST SYSTEM - 8 Cyl. Eng.	188-189
EXHAUST MANIFOLD - L34 Opt.	190
EXHAUST SYSTEM - L34 Opt.	191
CHOKE CONTROL	192
AUTOMATIC CHOKE CONTROL - 4.2 Litre Eng. ...	193
AUTOMATIC CHOKE CONTROL - 5 Litre Eng. exc. L34	194
CHOKE CONTROL - L34 Opt.	195
CARB. - TWO BARREL TYPE - Solex - 4 Cyl. Eng.	196-197
CARB. - SINGLE BARREL TYPE - Bendix - 6 Cyl. Eng.	198-199
CARB. - TWO BARREL TYPE - Bendix - 4.2 Litre ...	200-201
CARB. - TWO BARREL TYPE - Bendix - 4.2 Litre E.E.C.	202-203
CARB. - TWO BARREL TYPE - Email - 4.2 Litre E.E.C.	204-205
CARB. - FOUR BARREL TYPE - Rochester - 5 Litre	206-207
CARB. - FOUR BARREL TYPE - Holley - L34 Opt. ...	208-209

FUEL — EXHAUST — CARBURETTOR (Cont'd)

FUEL PUMP — 6 Cyl. Eng.	210
FUEL PUMP — 8 Cyl. Eng.	211

TRANSMISSION

CODE 'A'

3 SPD. RHD — TRANSMISSION ASSEMBLY	243
3 SPD. RHD — TRANSMISSION CASE & GEARS ..	244-245
3 SPD. RHD — GEARSHIFT CONTROL	246
3 SPD. RHD — SPEEDO. CABLE & GEAR — TRANS. MOUNTING	247

CODE 'B'

3 SPD. LHD — TRANSMISSION CONTROL	253
3 SPD. LHD — TRANSMISSION CASE & GEARS ..	254-255
3 SPD. LHD — TRANSMISSION MOUNTING	256
3 SPD. LHD — SPEEDOMETER DRIVE	257

CODE 'F'

4 SPD. — TRANSMISSION ASSEMBLY	263
4 SPD. — TRANSMISSION CASE & GEARS	264-265
4 SPD. — TRANSMISSION CONTROL LINKAGE — 4 Cyl. Eng.	266
4 SPD. — TRANSMISSION CONTROL LINKAGE — 6,8 Cyl. Eng.	267
4 SPD. — TRANSMISSION CONTROL	268
4 SPD. — SPEEDO. DRIVE — TRANS. MOUNTING ..	269

CODE 'H' ('TORQUEMASTER')

4 SPD. — TRANSMISSION CONTROL	277
4 SPD. — TRANSMISSION CASE — SPEEDO DRIVE	278-279
4 SPD. — TRANSMISSION GEARS	280-281
4 SPD. — TRANSMISSION MOUNTING	282
4 SPD. — SPEEDOMETER CABLE & GEARS	283

CODE 'U'

TRIMATIC — TRANSMISSION ASSEMBLY	289
TRIMATIC — CONVERTER	290
TRIMATIC — DRUM 2nd CLUTCH, 3rd. CLUTCH..	291
TRIMATIC — DRUM 3rd CLUTCH, GEAR DRUM REACTION	292
TRIMATIC — GOVERNOR	293
TRIMATIC — CASE	294
TRIMATIC — SERVO ASSY. — GOVERNOR ASSY..	295
TRIMATIC — VALVE BODY	296
TRIMATIC — PARKING BRAKE	297
TRIMATIC — INDICATOR COLUMN SHIFT	298
TRIMATIC — NEUTRAL STARTING SWITCH	299
TRIMATIC — TRANS. CONTROL COLUMN SHIFT.	300
TRIMATIC — TRANS. CONTROL CONSOLE SHIFT	301
TRIMATIC — TRANS. VACUUM MODULATOR & OIL FILLER	302
TRIMATIC — TRANS. CONVERTER, LOWER COVER	303
TRIMATIC — TRANS. MOUNTING — 4 Cyl. Eng..	304
TRIMATIC — SPEEDO. DRIVE — TRANS. MTG. 6,8 Cyl. Eng.	305

BRAKE CONTROL — BRAKE OPERATING

PARKING BRAKE LAYOUT	320-321
BRAKE PEDAL — RHD	322
BRAKE PEDAL — LHD	323
BRAKE MAIN CYL., PRESSURE SWITCH, BOOSTER MTG.	324
BRAKE MAIN CYL., BOOSTER MTG.	325
BRAKE MAIN CYLINDER	326

BRAKE CONTROL — BRAKE OPERATING (Cont'd)

WHEEL CYLINDERS	327
FRONT BRAKE PIPES — DRUM BRAKES	328-329
FRONT BRAKE PIPES — DISC BRAKES	330-331
REAR BRAKE PIPES	332-333
BRAKE BOOSTER — PBR — 4,6 Cyl. Eng.	334-335
BRAKE BOOSTER — PBR — 8 Cyl. Eng.	336-337
FRONT BRAKES — DUO-SERVO SELF ADJUSTING	338-339
REAR BRAKES	340-341
BRAKE CALIPER	342

REAR AXLE AND DRIVE

REAR AXLE AND SUSPENSION	354
REAR STABILIZER & PROPELLER SHAFT	355
REAR AXLE ASSEMBLY	356
DIFFERENTIAL ASSY. — LIMITED SLIP — 6 Cyl. Eng.	357
TRIM RING AND ROAD WHEEL	358

FRONT SUSPENSION STEERING

FRONT SUSPENSION AND STEERING GEAR	366
FRONT SUSPENSION AND STEERING GEAR — (Views)	367
FRONT WHEEL HUB	368
STEERING COLUMN & COUPLING	369
STEERING COLUMN	370
STEERING GEAR ASSEMBLY	371

FRAME — SPRINGS — BUMPERS

REAR SHOCK ABSORBERS — SUPERLIFT	378
REAR SHOCK ABSORBERS — SUPERLIFT (Views)	379
REAR SHOCK ABSORBERS — SUPERLIFT — FLARED NUTS	380
REAR SHOCK ABSORBER — SUPERLIFT — FLARED NUTS (Views)	381
FRONT STABILISER	382
FRONT BUMPER	383
REAR BUMPER	384

SHEET METAL

ENGINE HOOD	388
HOOD LOCK	389
SIDE SPLASH GUARD	390
FRONT FENDER	391
WINDSHIELD WASHER	392
WINDSHIELD WASHER — (Views)	393
FRONT AIR DAM	394
JACK & SPARE WHEEL	395

ACCESSORIES — AIR CONDITIONER — HEATER

AIR CONDITIONER COMPRESSOR — 4 Cyl. Eng.	402
AIR CONDITIONER COMPRESSOR — 6 Cyl. Eng.	403
AIR CONDITIONER COMPRESSOR — 8 Cyl. Eng.	404
AIR COND. REFRIGERANT SYSTEM — 6 Cyl. Eng. ..	405
AIR COND. REFRIGERANT SYSTEM — 8 Cyl. Eng. ..	406
AIR COND. HEATER HOSES 4 Cyl. Eng.	407

HOLDEN "LH" PARTS CATALOGUE

ACCESSORIES – AIR CONDITIONER – HEATER (Cont'd)

AIR COND. HEATER HOSES – 6 Cyl. Eng. – RHD ..	408
AIR COND. HEATER HOSES – 6 Cyl. Eng. – LHD ..	409
AIR COND. HEATER HOSES – 8 Cyl. Eng. – RHD ..	410
AIR COND. HEATER HOSES – 8 Cyl. Eng. – LHD ..	411
AIR COND. HOUSING & DUCT – 4,6 Cyl. Eng.	412
AIR COND. HOUSING & DUCT – 8 Cyl. Eng.	413
AIR CONDITIONING CONTROLS	414
AIR CONDITIONING CONTROLS – (Views)	415
AIR COND. HEATER CASE & VACUUM ACTUATORS ..	416
HEATER HOSES – 4 Cyl. Eng.	417
HEATER HOSES – 6 Cyl. Eng.	418
HEATER HOSES – 8 Cyl. Eng.	419
HEATER & DEMISTER	420
HEATER CONTROLS	421

WINDSHIELD – DOOR HARDWARE – GLASS

WINDSHIELD WIPER – RHD	436
WINDSHIELD WIPER – RHD (Views)	437
WINDSHIELD WIPER – LHD	438
WINDSHIELD WIPER – LHD (Views)	439
WINDSHIELD WIPER MOTOR – Lucas	440
WINDSHIELD WIPER MOTOR – Preslite	441
FRONT DOOR MIRROR	442
SUN VISOR & INTERIOR MIRROR	443
ASH TRAY & INSTRUMENT PANEL FACIA	444
INSTRUMENT PANEL COMPARTMENT & LID	445
INSTRUMENT PANEL COMPARTMENT LAMP	446
GRILLE & LACING	447
FRONT DOOR HARDWARE	448
FRONT DOOR HARDWARE – Sections & views	449
REAR DOOR HARDWARE	450
REAR DOOR HARDWARE – Sections & Views	451
FRONT DOOR WEATHERSTRIPS & SEALS	452
REAR DOOR WEATHERSTRIPS & SEALS	453
GLASS	454

REAR GLASS – SEAT AND ADJUSTER

FRONT SEAT ADJUSTER	464
FRONT SEAT RECLINER	465
DOOR COURTESY LIGHT SWITCHES	466

MOULDINGS & CLIPS – SHEET METAL

BODY MOULDINGS – 8UG69	470
BODY MOULDINGS – 8UH69	471
BODY MOULDINGS – 8VB69	472
BODY MOULDINGS – 8VC69	473
BODY MOULDINGS – 8VD69	474
BODY MOULDINGS – RETAINERS & SCREWS	475
BODY MOULDINGS – RETAINERS & SCREWS	476
BODY MOULDINGS – RETAINERS & SCREWS	477
BODY MOULDINGS – RETAINERS & SCREWS	478
EXTERNAL ORNAMENTATION	479
SPOILER, MOULDING & NAME PLATE	480
DECK LID LOCK	481
FENDER FLARES – FRONT & REAR	482-483
BODY PANELS – FRONT	484
BODY PANELS – REAR	485
SILENCER & INSULATOR	486

MOULDINGS & CLIPS – SHEET METAL (Cont'd)

REAR QUARTER RELIEF VALVE	487
FUEL TANK FILLER DOOR	488

BODY WIRING HARNESS

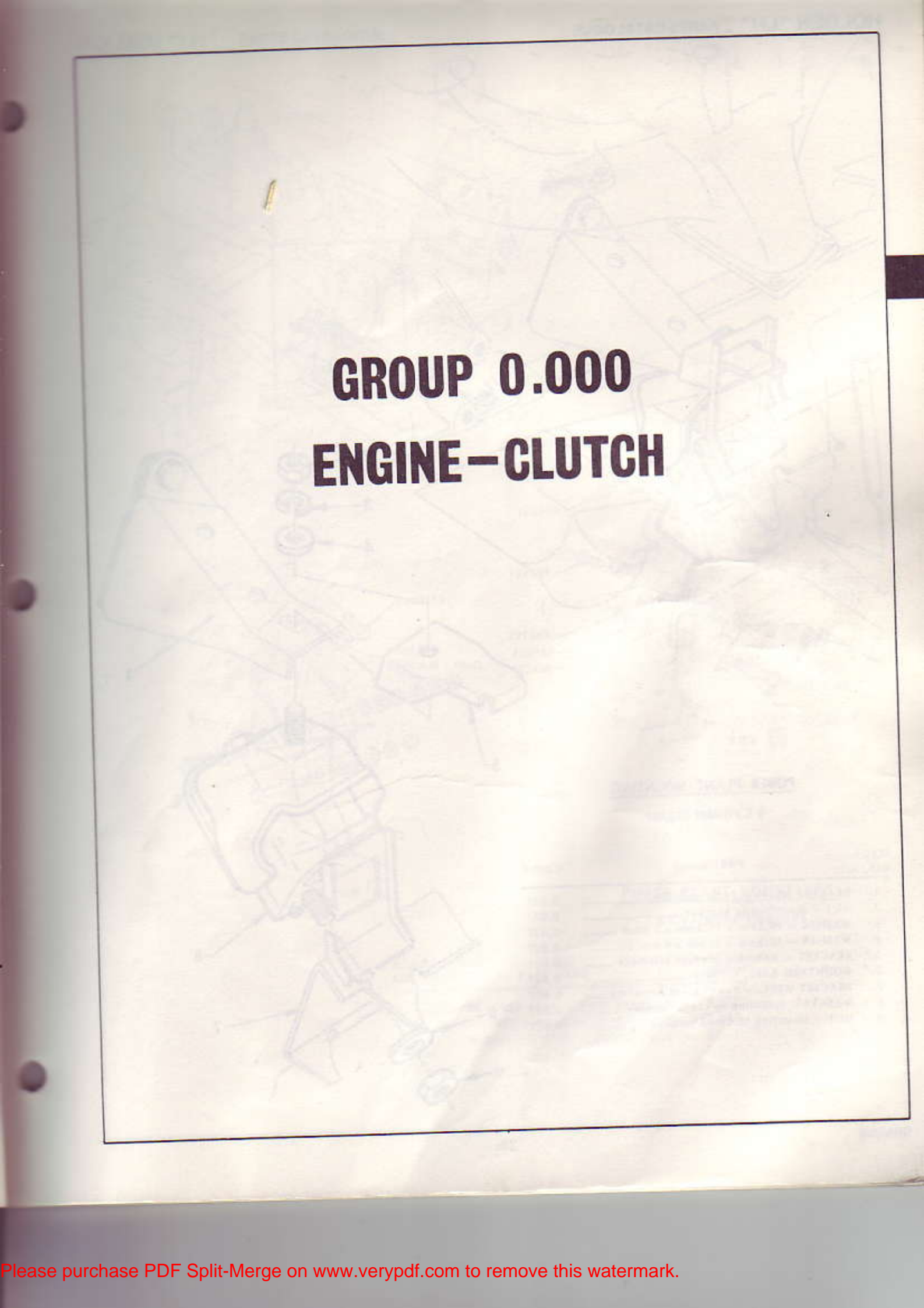
BODY WIRING	496-497
-------------------	---------

INTERIOR TRIM

INSTRUMENT PANEL PAD	500
HEADLINING & ASSIST GRIP HANDLE	501
INTERIOR TRIM	502
FRONT SEAT ASSEMBLY	503
SEAT BELT IDENTIFICATION – Prior Jan. '75 ..	504
SEAT BELT IDENTIFICATION – From Jan '75	505
SEAT BELTS	506

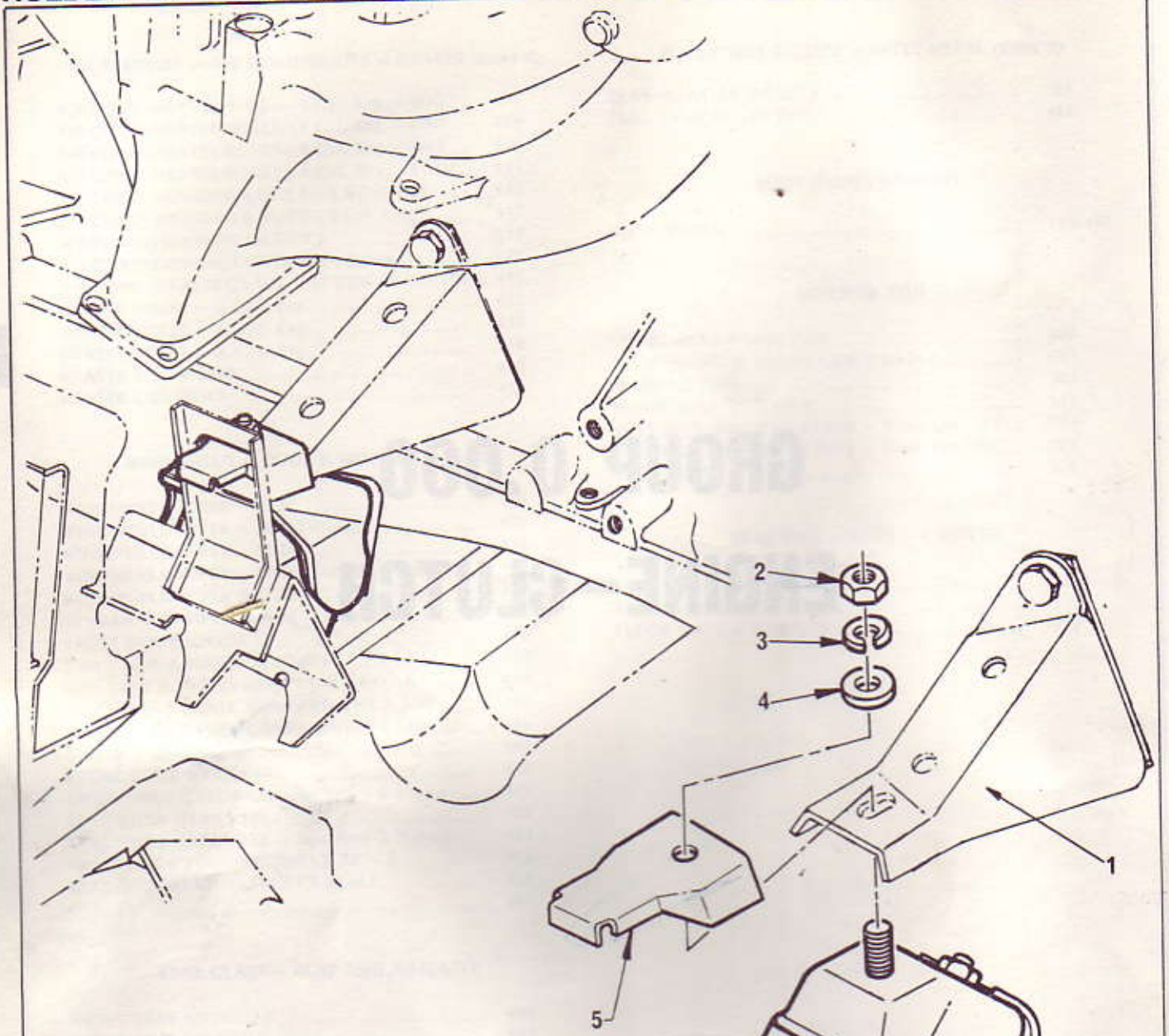
REAR TRIM – MATS – CARPETS

FRONT SEAT SEPARATOR	520
TRANSMISSION CONSOLE	521
FLOOR MATS & CARPETS	522



GROUP 0.000

ENGINE-CLUTCH

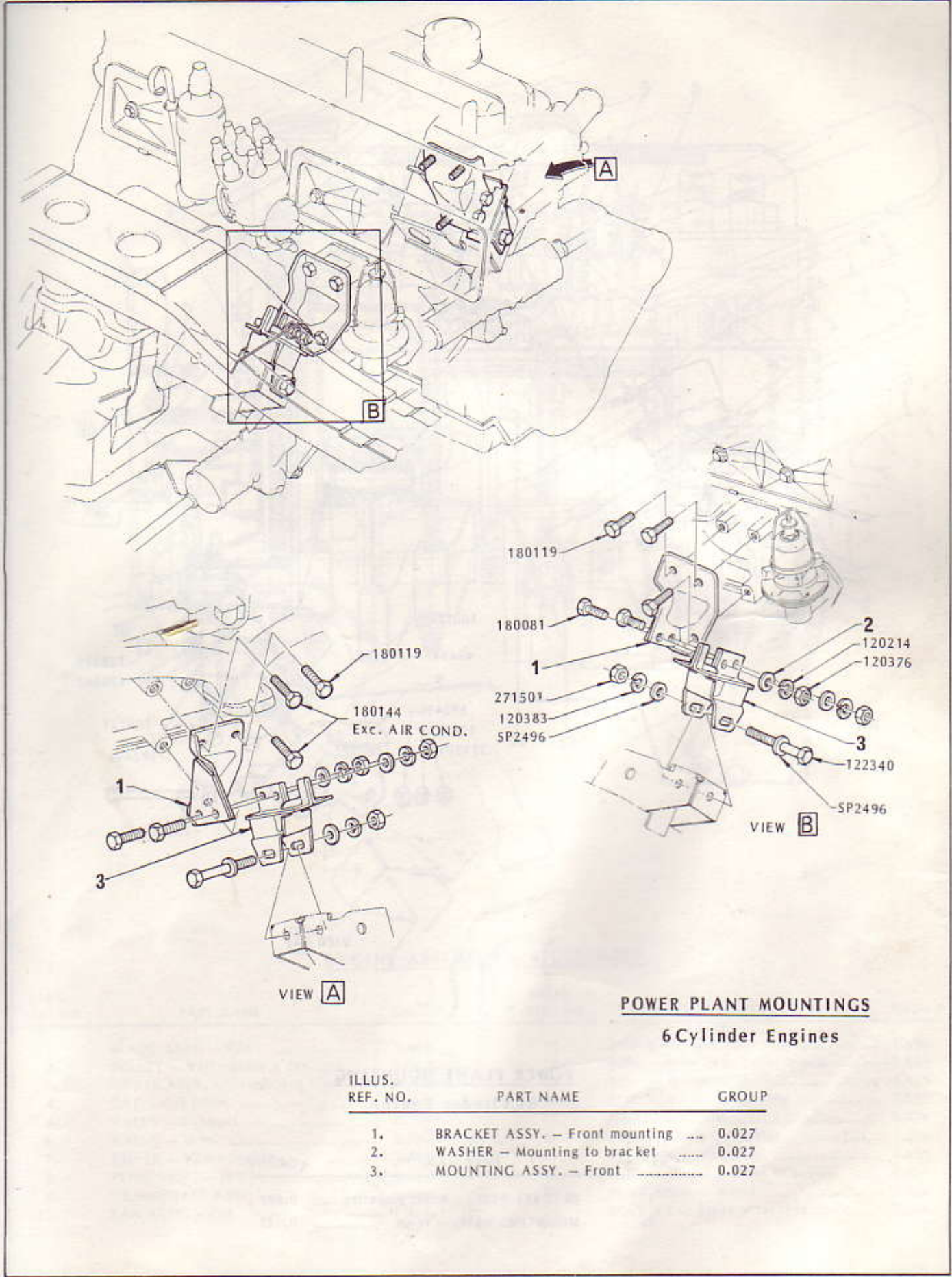


POWER PLANT MOUNTING

4 Cylinder Engine

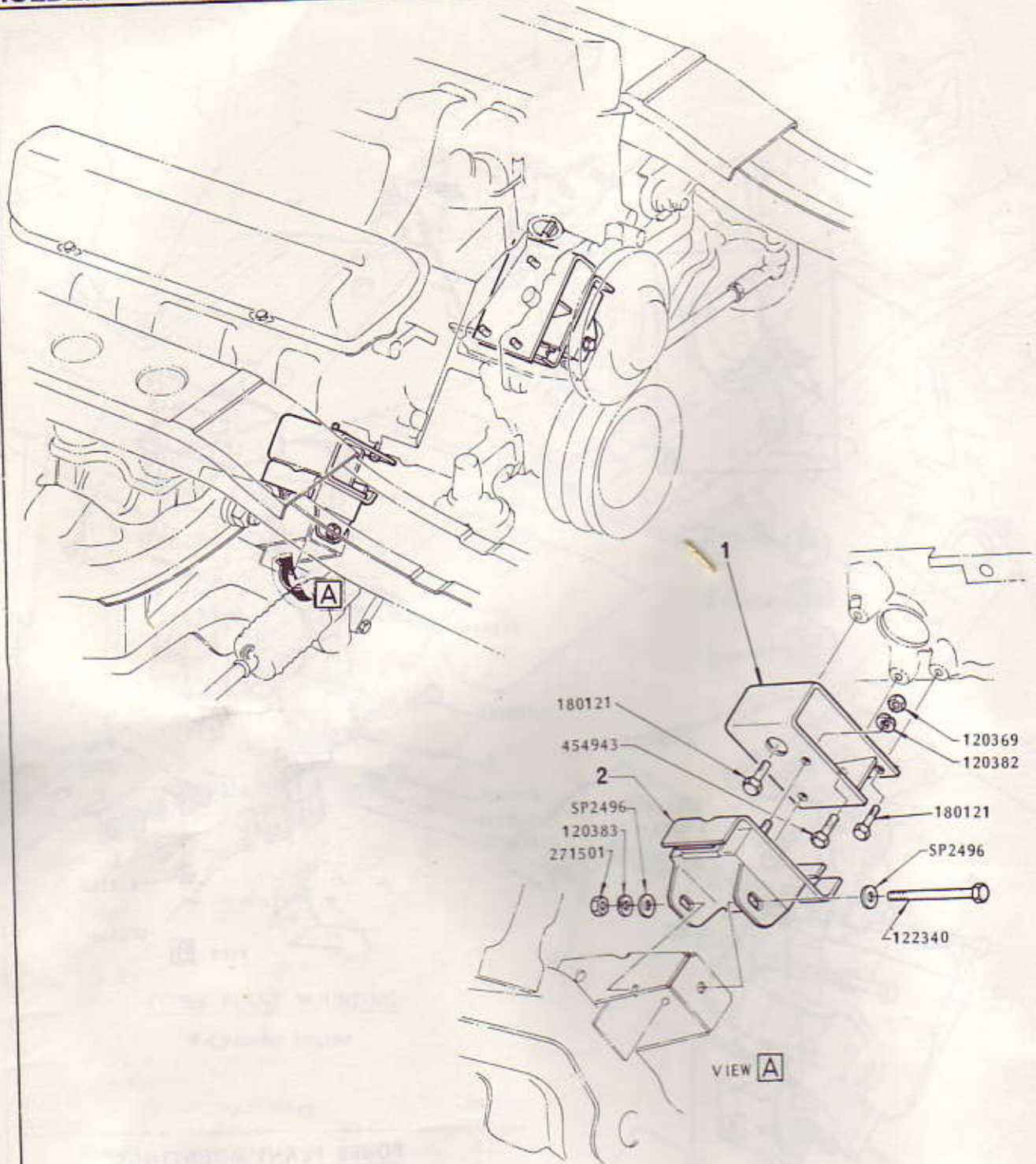
ILLUS. REF. NO.	PART NAME	GROUP
1.	BRACKET ASSY. - Front mounting	0.027
2.	NUT - Mounting to bracket	0.027
3.	WASHER - 10.2mm x 16.1mm x 2.5mm	0.027
4.	WASHER - 10.5mm x 21 mm x 1 mm	0.027
5.	BRACKET - Mounting bracket interlock	0.027
6.	MOUNTING ASSY. - Front	0.027
7.	BRACKET ASSY. - Power plant mounting	6.008
8.	WASHER - Mounting to cross member	0.027
9.	NUT - Mounting to cross member	0.027





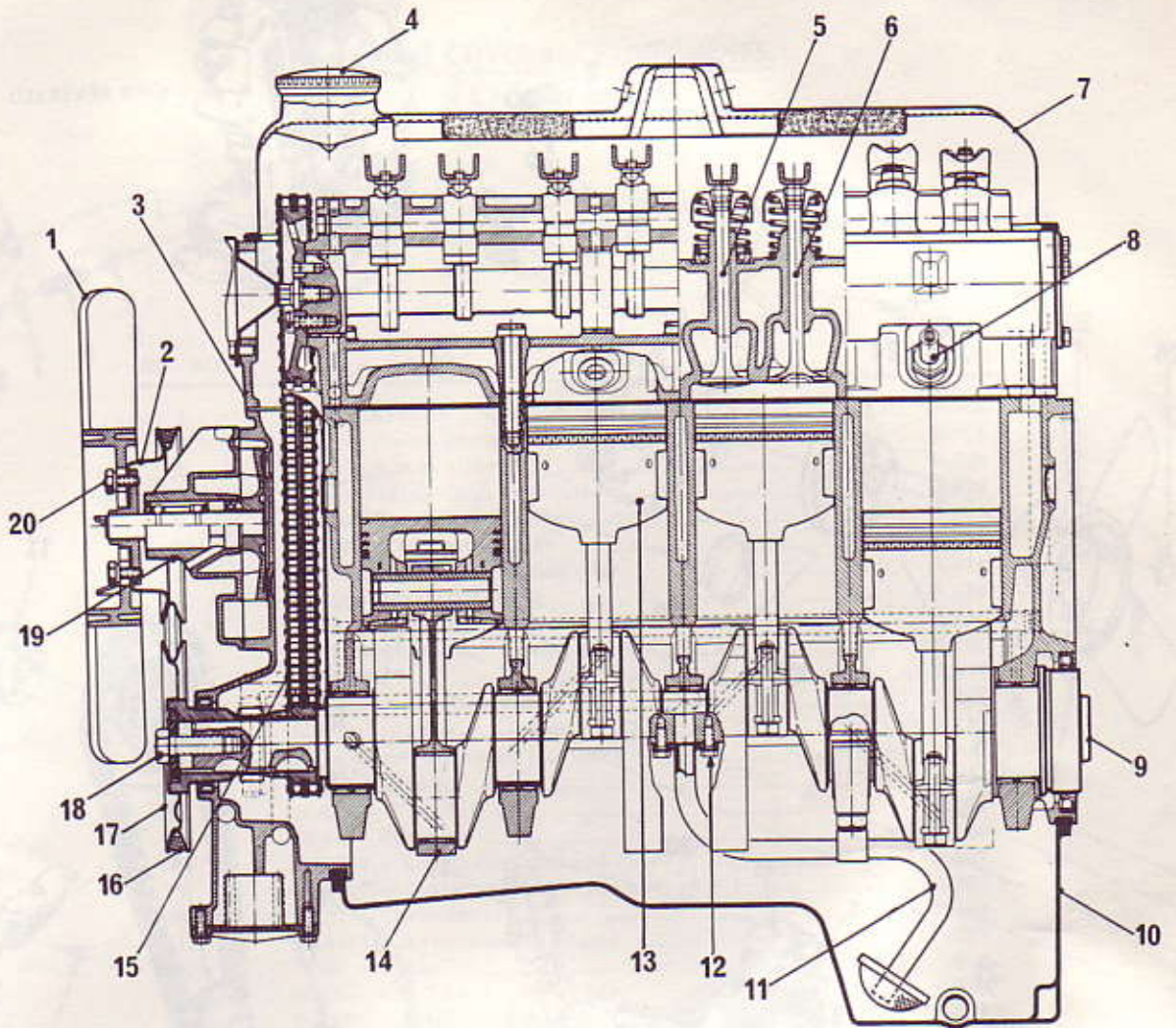
POWER PLANT MOUNTINGS
6 Cylinder Engines

ILLUS. REF. NO.	PART NAME	GROUP
1.	BRACKET ASSY. — Front mounting	0.027
2.	WASHER — Mounting to bracket	0.027
3.	MOUNTING ASSY. — Front	0.027



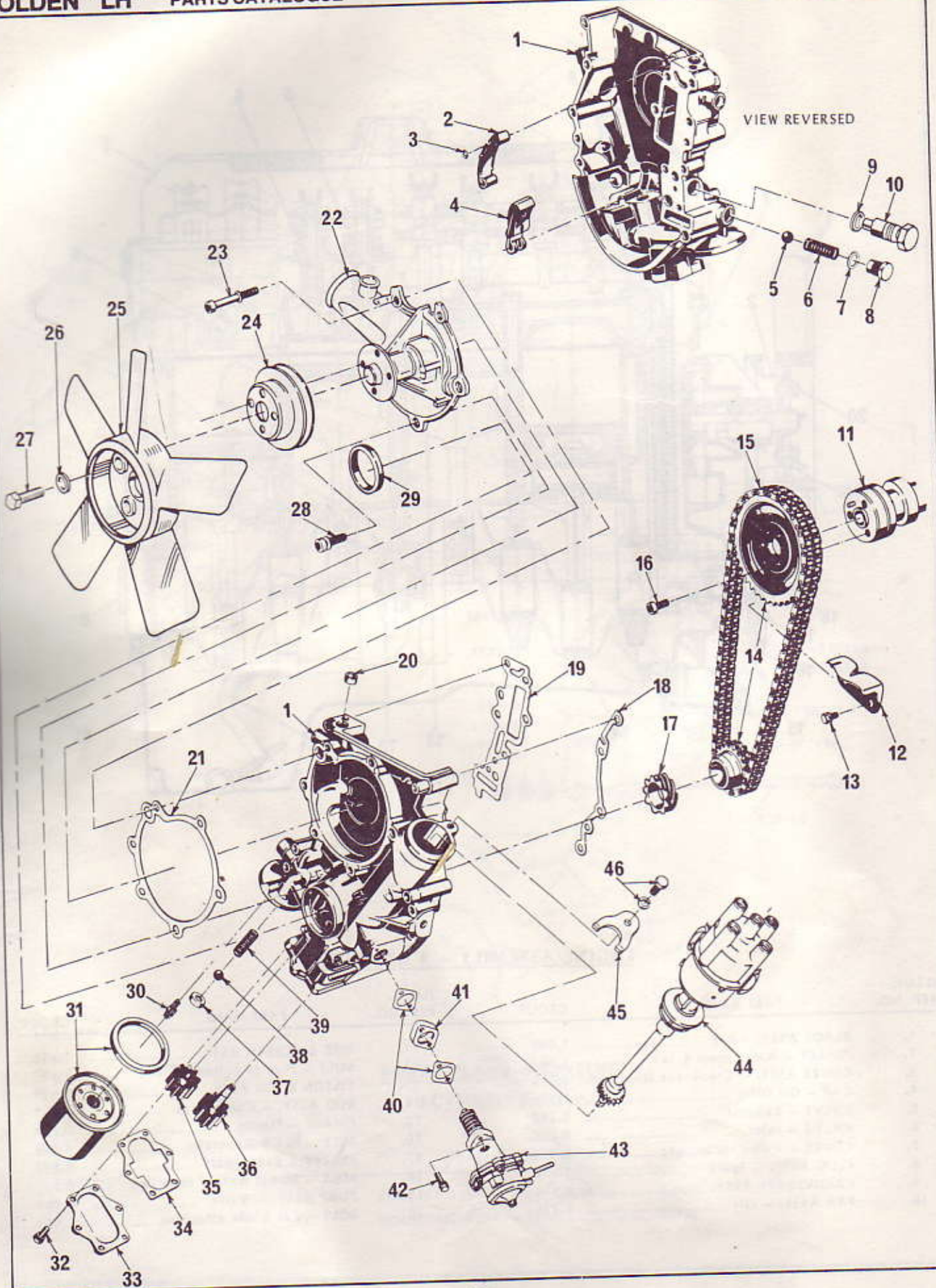
POWER PLANT MOUNTING
8 Cylinder Engine

ILLUS. REF. NO.	PART NAME	GROUP
1.	BRACKET ASSY. - Front mounting	0.027
2.	MOUNTING ASSY. - Front	0.027



ENGINE ASSEMBLY - 4 CYLINDER

ILLUS. REF. NO.	PART NAME	GROUP	ILLUS. REF. NO.	PART NAME	GROUP
1.	BLADE ASSY. - Fan	1.064	11.	PIPE & SCREEN ASSY.	1.656
2.	PULLEY - Water pump & fan	1.062	12.	BOLT - Pipe to cylinder block	1.656
3.	COVER ASSY. - Crankcase front end	0.206	13.	PISTON & PIN ASSY.	0.629
4.	CAP - Oil filler	1.516	14.	ROD ASSY. - Connecting	0.603
5.	VALVE - Exhaust	0.297	15.	CHAIN - Timing	0.724
6.	VALVE - Inlet	0.296	16.	BELT - Fan & Generator	1.066
7.	COVER - Valve rocker	0.386	17.	PULLEY - Crankshaft	0.659
8.	PLUG ASSY. - Spark	2.270	18.	BOLT - Thrust washer to pulley	0.659
9.	CRANKSHAFT ASSY.	0.646	19.	PUMP ASSY. - Water	1.069
10.	PAN ASSY. - Oil	1.426	20.	BOLT - Fan blade attaching	1.064

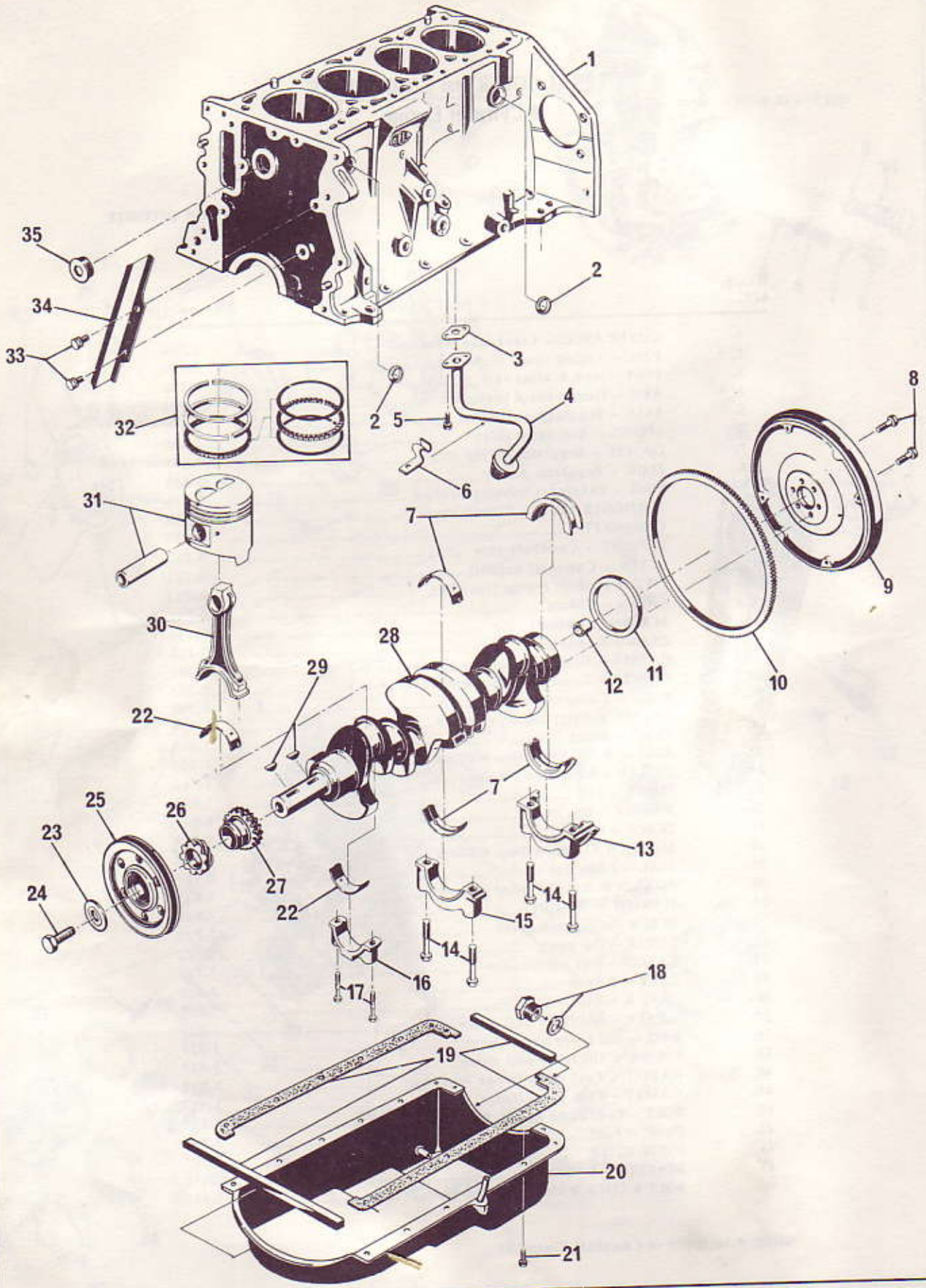


FRONT COVER and COMPONENTS
4 Cylinder Engine

ILLUSTRATION OPPOSITE

ILLUS. REF. NO.	PART NAME	GROUP
1.	COVER ASSY. - Crankcase front end	0.204
2. *	RAIL - Timing chain slide	0.726
3.	BOLT - Arm & slide rail	0.726
4. *	ARM - Timing chain tensioner	0.726
5.	BALL - Regulator valve	1.609
6.	SPRING - Regulator valve	1.610
7.	GASKET - Regulator spring plug	1.611
8.	PLUG - Regulator spring	1.611
9. *	RING - Tensioner housing sealing	0.726
10.	TENSIONER ASSY. - Timing chain	0.726
11.	CAMSHAFT	0.579
12.	SUPPORT - Camshaft gear	0.732
13.	SCREW - Camshaft support	0.732
14.	KIT - Camshaft timing (includes *)	0.732
15. *	CHAIN - Timing	0.734
16. *	SCREW - Camshaft stop	0.734
17.	GEAR - Camshaft	0.738
18.	GASKET - Crankcase front end cover (L.H.)	0.207
19.	GASKET - Crankcase front end cover (R.H.)	0.207
20.	PLUG - Cover upper	0.209
21.	GASKET - Water pump to engine	1.079
22.	PUMP - Water	1.069
23.	BOLT - W.P. 7mm x 1mm x 72mm	1.069
24.	PULLEY - Water pump & fan	1.062
25.	BLADE - Fan	1.064
26.	WASHER - Fan	1.064
27.	SCREW - Fan	1.064
28.	BOLT - W.P. 7mm x 1mm x 20mm	1.069
29.	SEAL - Front end cover	0.209
30.	CONNECTOR - Oil filter element	1.835
31.	ELEMENT - Oil filter	1.835
32.	SCREW - Oil pump cover	1.723
33.	COVER - Oil pump	1.723
34.	GASKET - Oil pump cover	1.724
35.	GEAR - Driven	1.659
36.	GEAR & SHAFT ASSY.	1.659
37.	SLEEVE - Oil filter ball valve	1.837
38.	BALL - Oil filter short circuit	1.837
39.	SPRING - Oil filter ball valve	1.837
40.	GASKET - Fuel pump flange - .05mm	3.932
41.	GASKET - Fuel pump flange - 2.4mm	3.932
42.	BOLT - Fuel pump to cyl. block	3.900
43.	PUMP - Fuel	3.900
44.	DISTRIBUTOR	2.361
45.	BRACKET - Distributor	2.414
46.	BOLT & LOCK WASHER - Distributor	2.414

NOTE: * Included in Camshaft Timing Kit



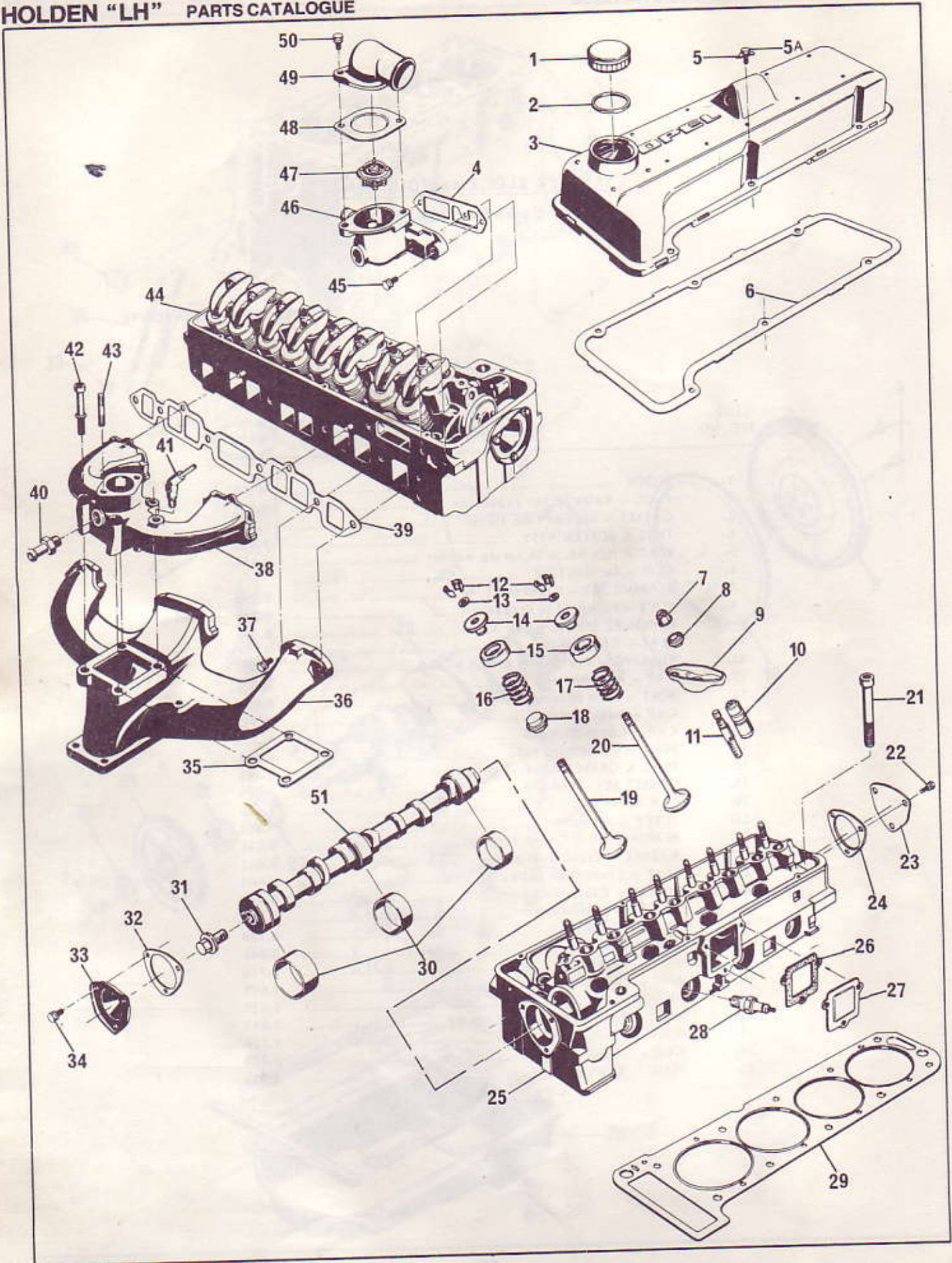
CYLINDER BLOCK and OIL PAN

4 Cylinder Engine

ILLUSTRATION OPPOSITE

ILLUS. REF. NO.	PART NAME	GROUP
1.	BLOCK	N.S.S.
2.	PLUG - Water jacket expansion	0.033
3.	GASKET - Suction tube flange	1.656
4.	TUBE & SCREEN ASSY.	1.656
5.	BOLT - Hex.hd. with spring washer	1.656
6.	CLIP - Suction tube	
7.	BEARING SET - Crankshaft	0.094
8.	BOLT - Flywheel to crankshaft	0.669
9-10.	FLYWHEEL & RING GEAR ASSY.	0.666
11.	SEAL - Crankshaft	0.137
12.	BEARING - Crankshaft clutch pilot	0.649
13.	CAP - Main bearing	N.S.S.
14.	BOLT - Main bearing cap	0.056
15.	CAP - Main bearing	N.S.S.
16.	CAP - Connecting rod	N.S.S.
17.	BOLT - Connecting rod	0.643
18.	PLUG & GASKET ASSY. - Oil pan	1.453
19.	GASKET SET - Oil pan	1.429
20.	PAN ASSY. - Oil	1.426
21.	SCREW - Oil pan	1.426
22.	BEARING SET - Connecting rod	0.616
23.	WASHER - Crankshaft pulley	0.662
24.	BOLT - Crankshaft pulley	0.662
25.	PULLEY - Crankshaft	0.659
26.	PINION - Crankshaft	0.728
27.	GEAR - Crankshaft	0.728
28.	CRANKSHAFT	0.646
29.	KEY - Crankshaft	0.728
30.	ROD - Connecting	0.603
31.	PISTON & PIN ASSY.	0.629
32.	RING SET - Piston	0.643
33.	BOLT - Timing chain guide	0.724
34.	GUIDE - Timing chain	0.724
35.	PLUG - Water jacket	0.033

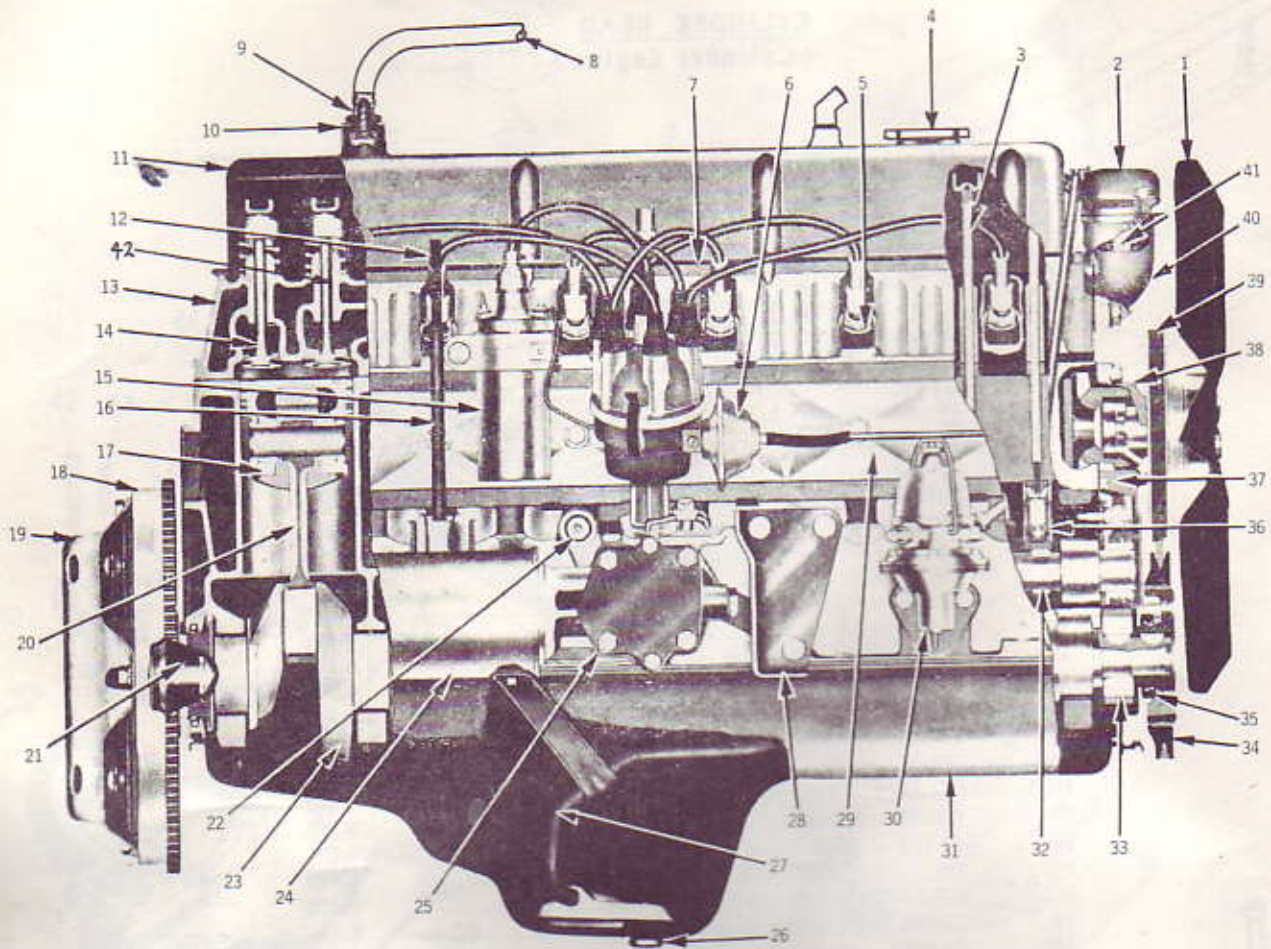
HOLDEN "LH" PARTS CATALOGUE



CYLINDER HEAD
4 Cylinder Engine

ILLUSTRATION OPPOSITE

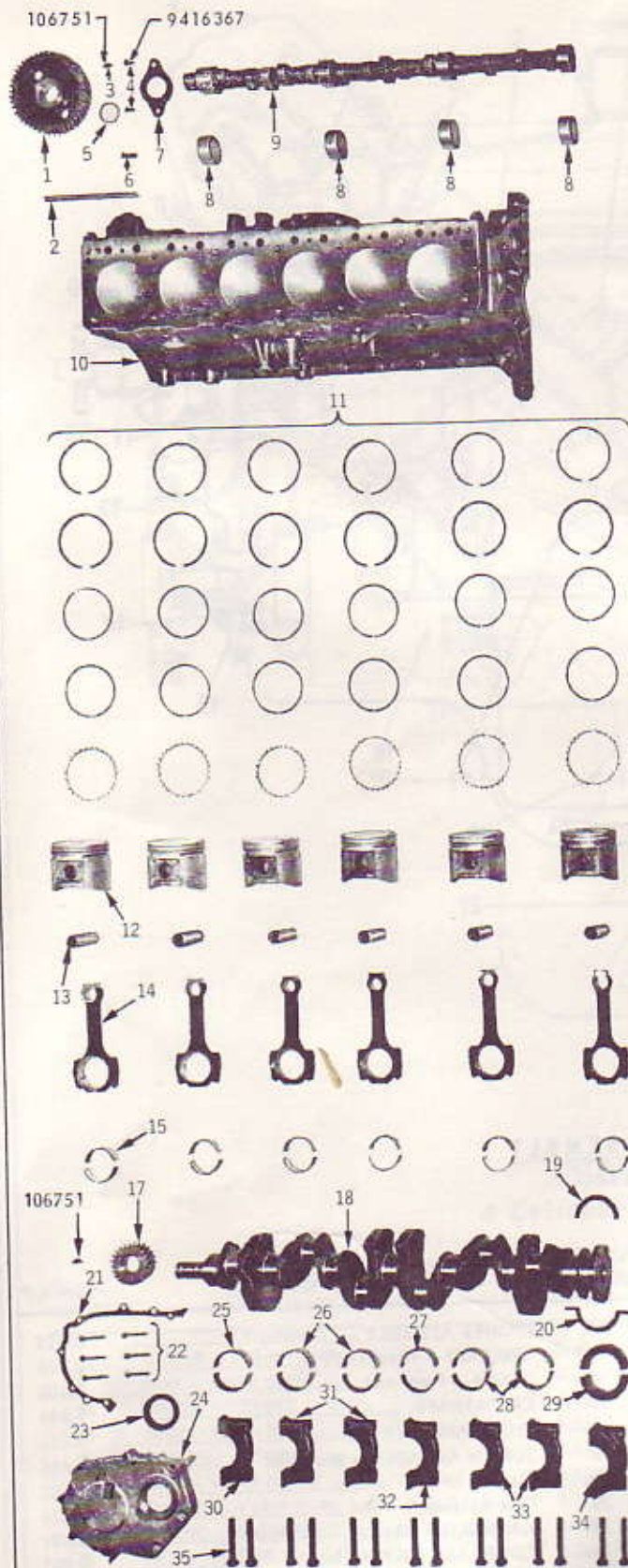
ILLUS. REF. NO.	PART NAME	GROUP
1.	CAP - Oil filler	1.516
2.	GASKET - Oil filler cap	1.517
3.	COVER - Valve rocker	0.386
4.	GASKET - Thermostat housing	1.252
5.	REINFORCEMENT - Rocker cover	0.413
5A.	BOLT - Rocker cover fixing	0.386
6.	GASKET - Valve rocker cover	0.423
7.	NUT - Valve rocker arm	0.429
8.	BALL UNIT - Valve rocker arm	0.429
9.	ARM - Valve rocker	0.333
10.	LIFTER - Valve	0.459
11.	SCREW - Valve rocker arm	0.429
12.	KEY - Valve stem	0.310
13.	SEAL - Valve stem	0.308
14.	CUP - Valve spring	0.309
15.	CAP - Valve stem	0.308
16.	SPRING - Exhaust valve	0.303
17.	SPRING - Inlet valve	0.303
18.	ROTATOR - Exhaust valve	0.309
19.	VALVE - Exhaust	0.297
20.	VALVE - Inlet	0.296
21.	BOLT - Cylinder head	0.293
22.	BOLT - Camshaft cover	0.386
23.	COVER - Camshaft rear	0.386
24.	GASKET - Camshaft cover	0.386
25.	HEAD - Cylinder	0.269
26.	GASKET - Side cover	0.269
27.	COVER - Side	0.269
28.	SPARK PLUG	2.270
29.	GASKET - Cylinder head	0.289
30.	BEARING - Camshaft	0.539
31.	BOLT - Camshaft locator	0.533
32.	GASKET - Camshaft cover	0.386
33.	COVER - Camshaft front	0.386
34.	BOLT - Camshaft cover	0.386
35.	GASKET - Inlet to exhaust manifold	3.270
36.	MANIFOLD - Exhaust	3.601
37.	BOLT - Manifold to cylinder head	3.601
38.	MANIFOLD - Inlet	3.265
39.	GASKET - Manifold to cylinder head	3.270
40.	NOZZLE - Heater	9.779
41.	ADAPTOR - Vacuum	3.265
42.	BOLT - Inlet manifold to exhaust manifold	
43.	STUD - Manifold	3.288
44.	HEAD - Cylinder	0.269
45.	BOLT - Thermostat housing	1.251
46.	HOUSING - Thermostat	1.251
47.	THERMOSTAT	1.246
48.	GASKET - Water outlet	1.154
49.	OUTLET - Cylinder head water	1.153
50.	BOLT - Water outlet	1.153
51.	CAMSHAFT	0.519



ENGINE ASSEMBLY - 6 CYLINDER

ILLUS. REF. NO.	PART NAME	GROUP	ILLUS. REF. NO.	PART NAME	GROUP
1.	BLADE ASSEMBLY - Fan	1.064	22.	SWITCH ASSEMBLY - Oil pressure	1.803
2.	OUTLET - Cylinder head water	1.153	23.	CRANKSHAFT	0.646
3.	ROD - Valve push	0.426	24.	FILTER ASSEMBLY - Oil	1.835
4.	CAP ASSEMBLY - Oil filler	1.516	25.	PUMP ASSEMBLY - Oil	1.652
5.	PLUG ASSEMBLY - Spark	2.270	26.	PLUG & GASKET ASSEMBLY - Oil pan	1.453
6.	VACUUM CONTROL ASSEMBLY - Distributor	2.410	27.	SCREEN ASSEMBLY - Oil pump	1.656
7.	GASKET - Valve rocker cover	0.423	28.	BRACKET ASSEMBLY - Front mounting	0.027
8.	HOSE - Breather	1.762	29.	COVER ASSEMBLY - Valve push rod	0.439
9.	VALVE ASSEMBLY - Ventilator	1.762	30.	PUMP ASSEMBLY - Fuel	3.900
10.	GROMMET - Valve cover to block vent	1.745	31.	PAN ASSEMBLY - Oil	1.426
11.	COVER - Valve rocker	0.386	32.	CAMSHAFT ASSEMBLY	0.519
12.	INDICATOR ASSEMBLY - Oil level	1.516	33.	GEAR - Crankshaft	0.728
13.	HEAD - Cylinder	0.269	34.	DAMPER ASSEMBLY - Crankshaft	0.659
14.	VALVE - Exhaust	0.297	35.	SEAL - Crankcase cover oil	0.209
15.	COIL ASSEMBLY - Ignition	2.170	36.	LIFTER ASSEMBLY - Hydraulic valve	0.459
16.	TUBE - Oil level indicator	1.516	37.	COVER ASSEMBLY - Crankcase	0.206
17.	PISTON & PIN ASSEMBLY	0.629	38.	PUMP ASSEMBLY - Water	1.069
18.	FLYWHEEL ASSEMBLY	0.666	39.	BELT - Fan and generator	1.066
19.	COVER & PRESSURE PLATE ASSEMBLY	0.861	40.	HOUSING - Thermostat	1.251
20.	ROD ASSEMBLY - Connecting	0.603	41.	THERMOSTAT ASSEMBLY	1.246
21.	BEARING ASSEMBLY - Clutch pilot	0.649	42.	VALVE - Inlet	0.296

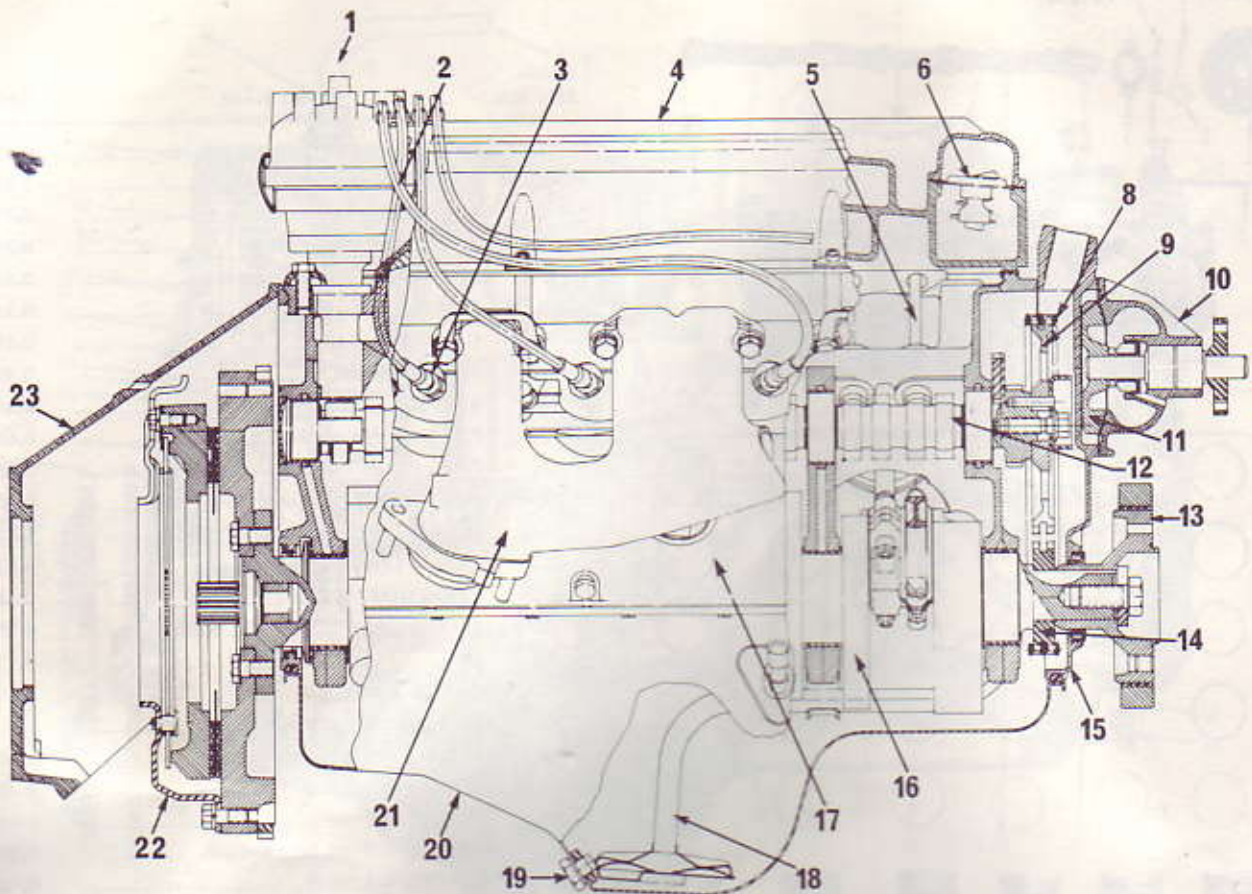
HOLDEN "LH" PARTS CATALOGUE



ILLUS. REF. NO.	PART NAME	GROUP
1.	GEAR - Camshaft	0.736
2.	TUBE - Oil level indicator	1.516
5.	RING - Camshaft gear spacing	0.738
6.	NOZZLE - Timing gear oil	0.748
7.	BEARING - Camshaft thrust	0.533
8.	BEARING SET - Camshaft	0.536
9.	CAMSHAFT	0.519
10.	BLOCK ASSEMBLY	0.033
11.	RING SET - Piston	0.643
12.	PISTON & PIN ASSEMBLY	0.629
13.	PIN - Piston	0.636
14.	ROD ASSEMBLY - Connecting	0.603
15.	BEARING - Connecting rod	0.616
17.	GEAR - Crankshaft	0.728
18.	CRANKSHAFT	0.646
19.	SEAL - Upper	0.137
20.	SEAL - Lower	0.137
21.	GASKET - Front end cover	0.207
22.	BOLT - Front end cover	0.206
23.	SEAL - Front end cover	0.209
24.	COVER - Front end	0.206
25.	BEARING - Front	0.096
26.	BEARING - Front intermediate	0.099
27.	BEARING - Centre	0.101
28.	BEARING - Rear intermediate	0.103
29.	BEARING - Rear	0.106
30.	CAP - Front bearing	0.095
31.	CAP - Front intermediate bearing	0.098
32.	CAP - Centre bearing	0.100
33.	CAP - Rear intermediate bearing	0.102
34.	CAP - Rear bearing	0.105
35.	BOLT - Bearing cap	0.056

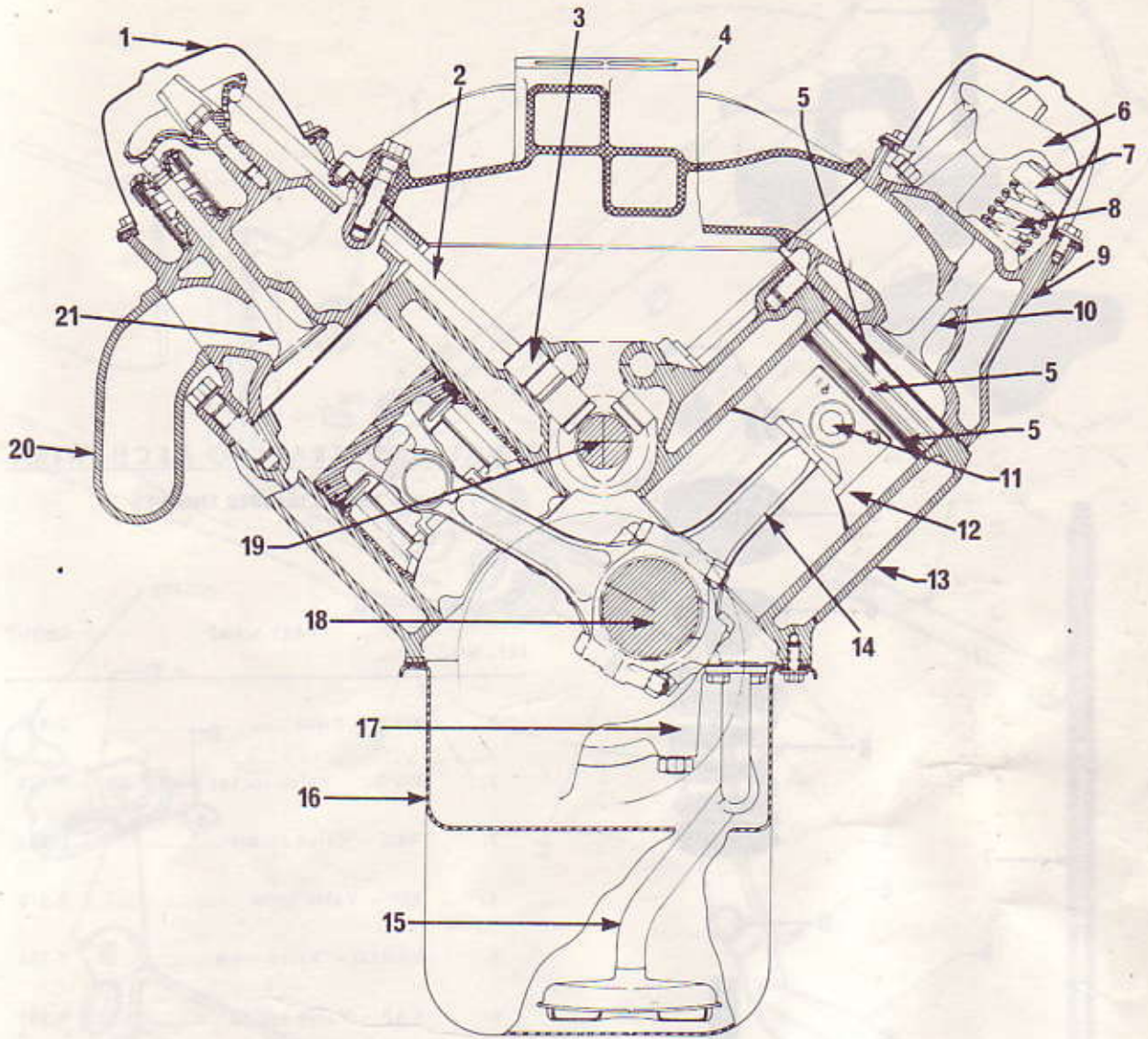
CYLINDER BLOCK - 6 CYL.

Note: The items illustrated constitute a Short Motor.



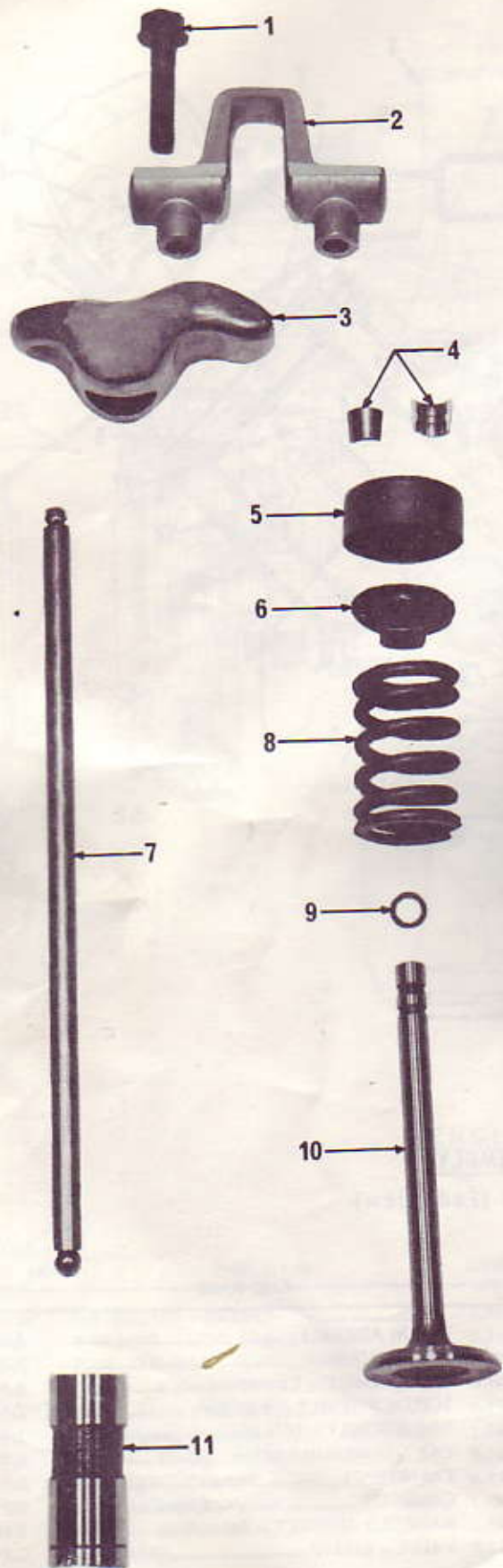
ENGINE ASSEMBLY
8 Cylinder

ILLUS. REF. NO.	PART NAME	GROUP	ILLUS. REF. NO.	PART NAME	GROUP
1.	DISTRIBUTOR ASSEMBLY	2.361	13.	DAMPER ASSEMBLY - Crankshaft	0.659
2.	WIRE UNIT - Spark plug	2.239	14.	SPROCKET - Crankshaft	0.728
3.	PLUG ASSEMBLY - Spark	2.270	15.	COVER - Front end	0.206
4.	COVER - Valve rocker	0.386	16.	CRANKSHAFT	0.646
5.	ROD - Valve push	0.426	17.	BLOCK ASSEMBLY	0.033
6.	THERMOSTAT ASSEMBLY	1.246	18.	SCREEN ASSEMBLY - With pipe	1.656
8.	CHAIN - Timing	0.724	19.	PLUG - Drain	1.453
9.	SPROCKET - Camshaft	0.736	20.	PAN ASSEMBLY - Oil	1.426
10.	PUMP ASSEMBLY - Water	1.069	21.	MANIFOLD ASSEMBLY - Exhaust	3.601
11.	ROTOR - Water pump	1.109	22.	COVER ASSEMBLY - Clutch	0.861
12.	CAMSHAFT	0.519	23.	HOUSING - Clutch	0.683



ENGINE ASSEMBLY
8 Cylinder Engine (End View)

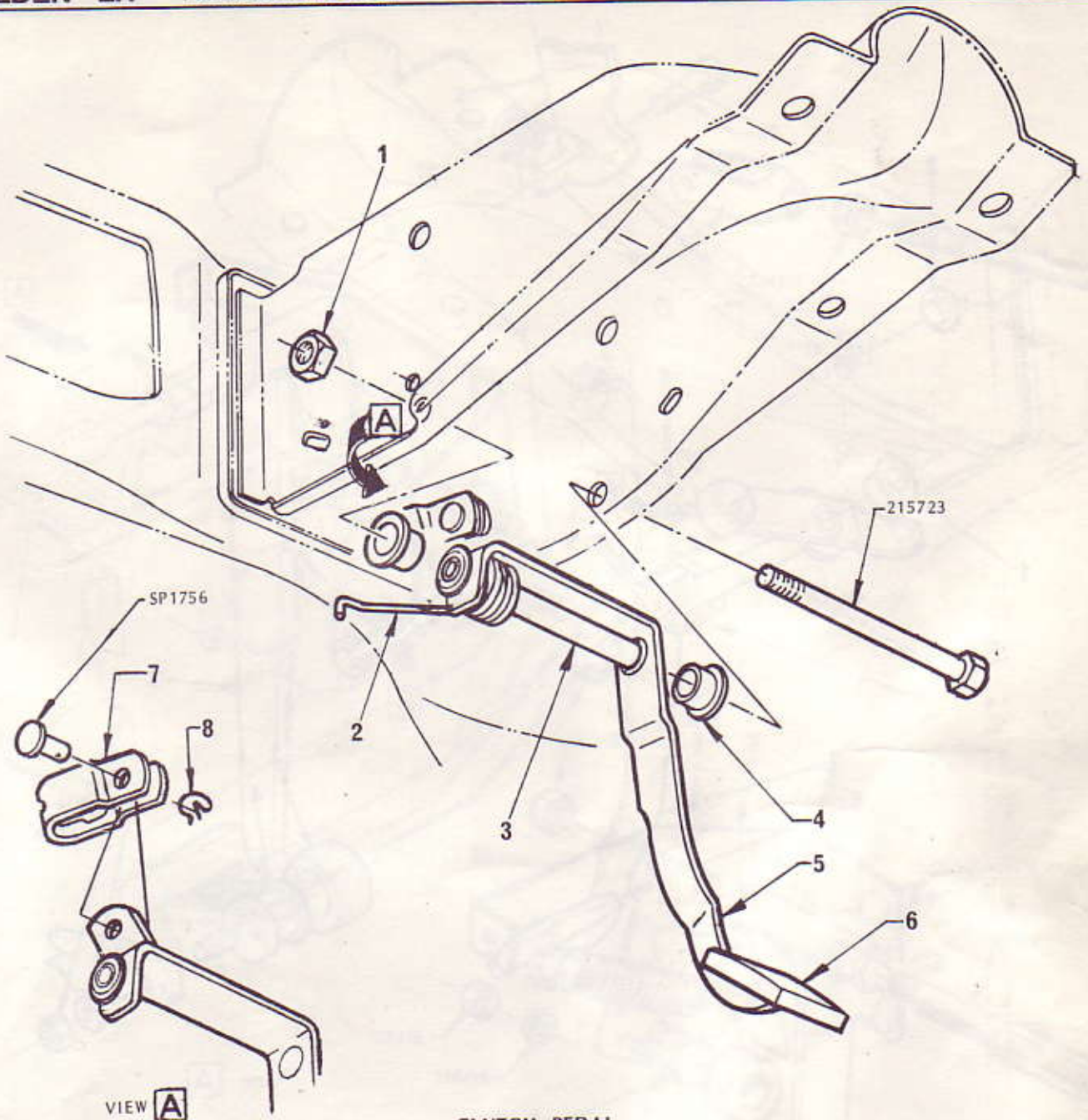
ILLUS. REF. NO.	PART NAME	GROUP	ILLUS. REF. NO.	PART NAME	GROUP
1.	COVER - Valve rocker	0.386	12.	PISTON ASSEMBLY	0.629
2.	ROD - Valve push	0.426	13.	BLOCK ASSEMBLY	0.033
3.	LIFTER ASSEMBLY - Valve	0.459	14.	ROD ASSEMBLY - Connecting	0.603
4.	MANIFOLD - Inlet	3.265	15.	SCREEN ASSEMBLY - With pipe	1.656
5.	RING SET - Piston	0.643	16.	PAN ASSEMBLY - Oil	1.426
6.	ARM - Valve rocker	0.333	17.	CAP - Crankshaft bearing	0.095
7.	SHIELD - Valve stem	0.308	18.	CRANKSHAFT	0.646
8.	SPRING - Valve	0.303	19.	CAMSHAFT	0.519
9.	HEAD ASSEMBLY - Cylinder	0.269	20.	MANIFOLD ASSEMBLY - Exhaust	3.601
10.	VALVE - Inlet	0.296	21.	VALVE - Exhaust	0.297
11.	PIN - Piston	0.636			



VALVE OPERATING MECHANISM

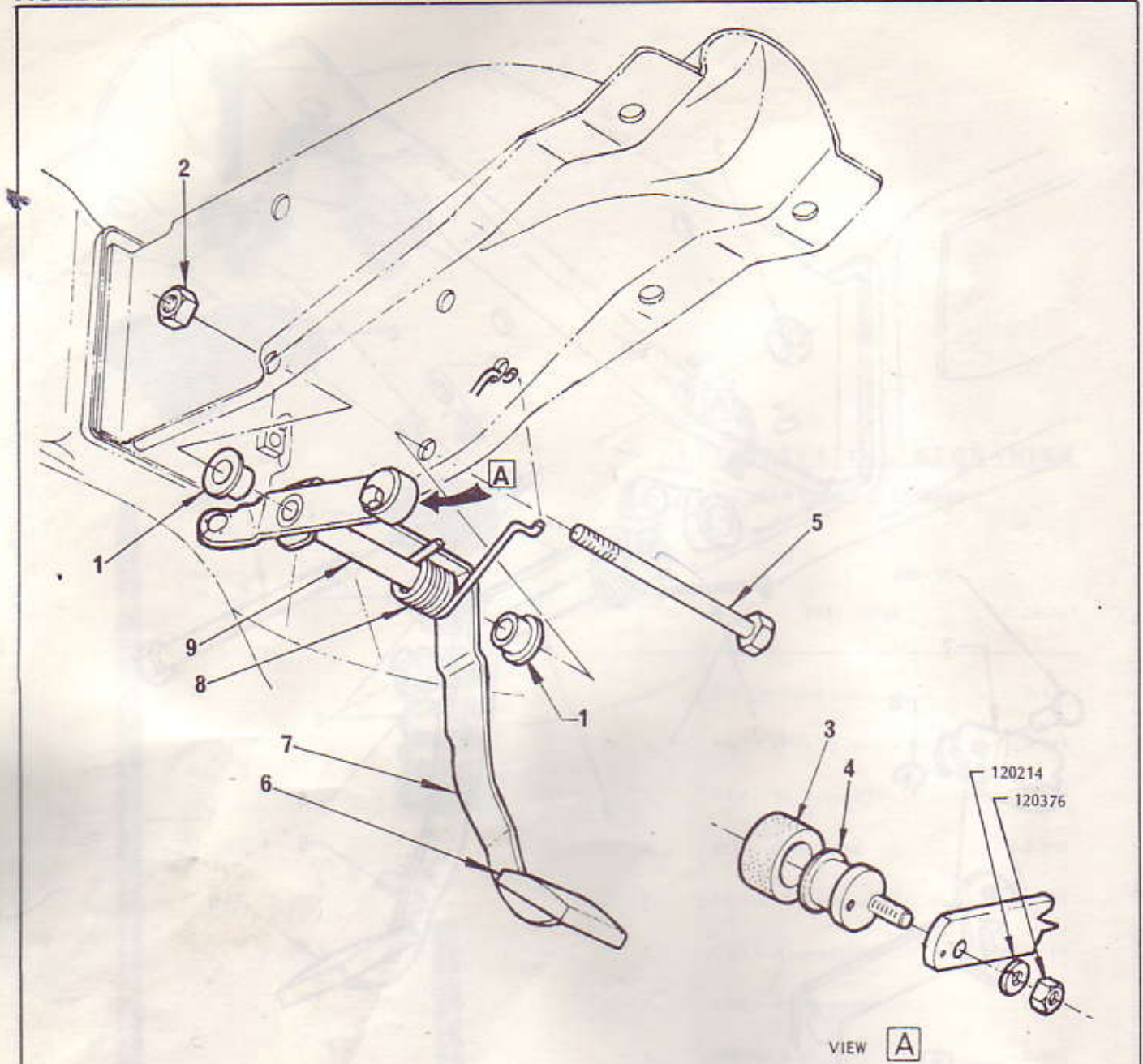
6 and 8 CYLINDER ENGINES

ILLUS. REF. NO.	PART NAME	GROUP
1.	BOLT - Pivot	0.429
2.	PIVOT - Valve rocker arm	0.429
3.	ARM - Valve rocker	0.333
4.	KEY - Valve stem	0.310
5.	SHIELD - Valve stem	0.308
6.	CAP - Valve spring	0.309
7.	ROD - Valve push	0.426
8.	SPRING - Valve	0.303
9.	SEAL - Valve stem	0.308
10.	VALVE	0.296/0.297
11.	LIFTER ASSY. - Hydraulic valve ..	0.459



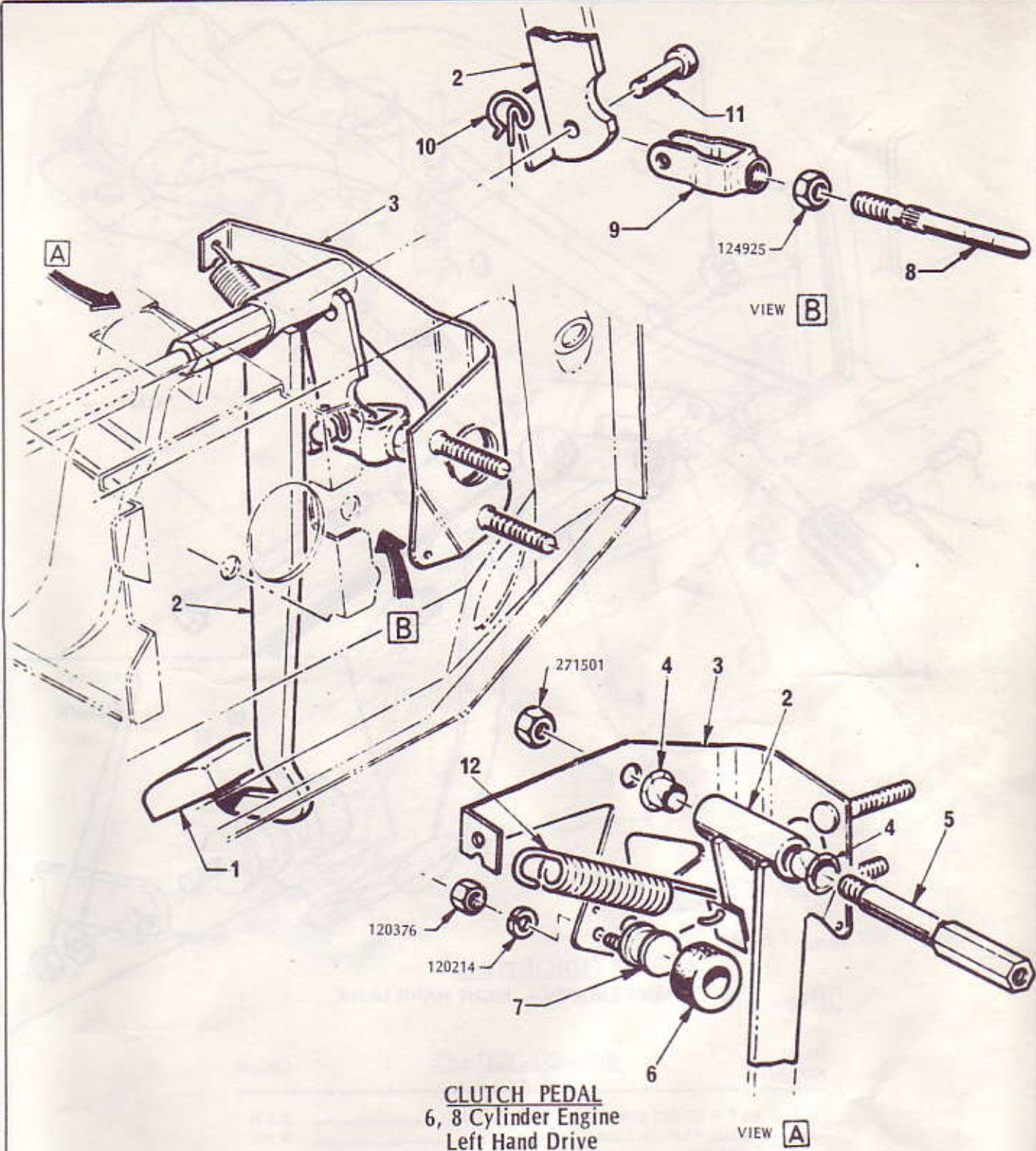
CLUTCH PEDAL
4 CYLINDER ENGINE

ILLUS. REF. NO.	PART NAME	GROUP
1.	NUT - Clutch pedal bolt	0.837
2.	SPRING - Pedal return	0.844
3.	SPACER - Pedal pivot	0.831
4.	BUSHING - Clutch pedal	0.831
5.	PEDAL ASSY. - Clutch	0.830
6.	PAD - Clutch pedal	0.830
7.	CLEVIS - Clutch pedal	0.787
8.	CLIP - Clevis pin	0.787



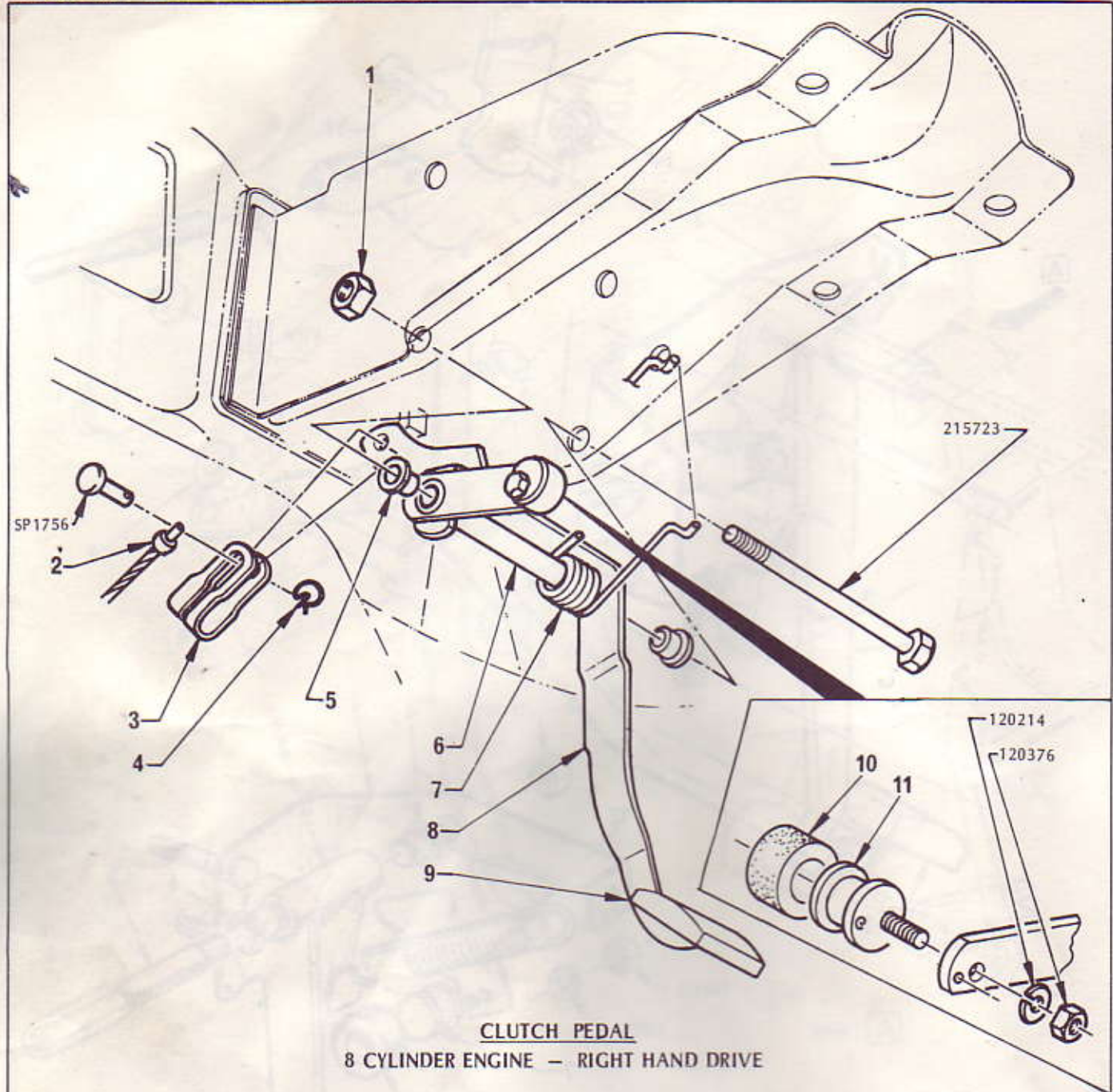
CLUTCH PEDAL
6 Cylinder Engine
Right Hand Drive

ILLUS. REF. NO.	PART NAME	GROUP	ILLUS. REF. NO.	PART NAME	GROUP
1.	BUSHING - Clutch pedal	0.831	6.	PAD - Clutch pedal	0.830
2.	NUT - Clutch pedal bolt	0.837	7.	PEDAL ASSY. - Clutch	0.830
3.	BUMPER - Clutch pedal	0.830	8.	SPRING - Pedal return	0.844
4.	ECCENTRIC ASSY. - Bumper	0.830	9.	SPACER - Pedal pivot	0.831
5.	BOLT - Pedal retaining	0.837			



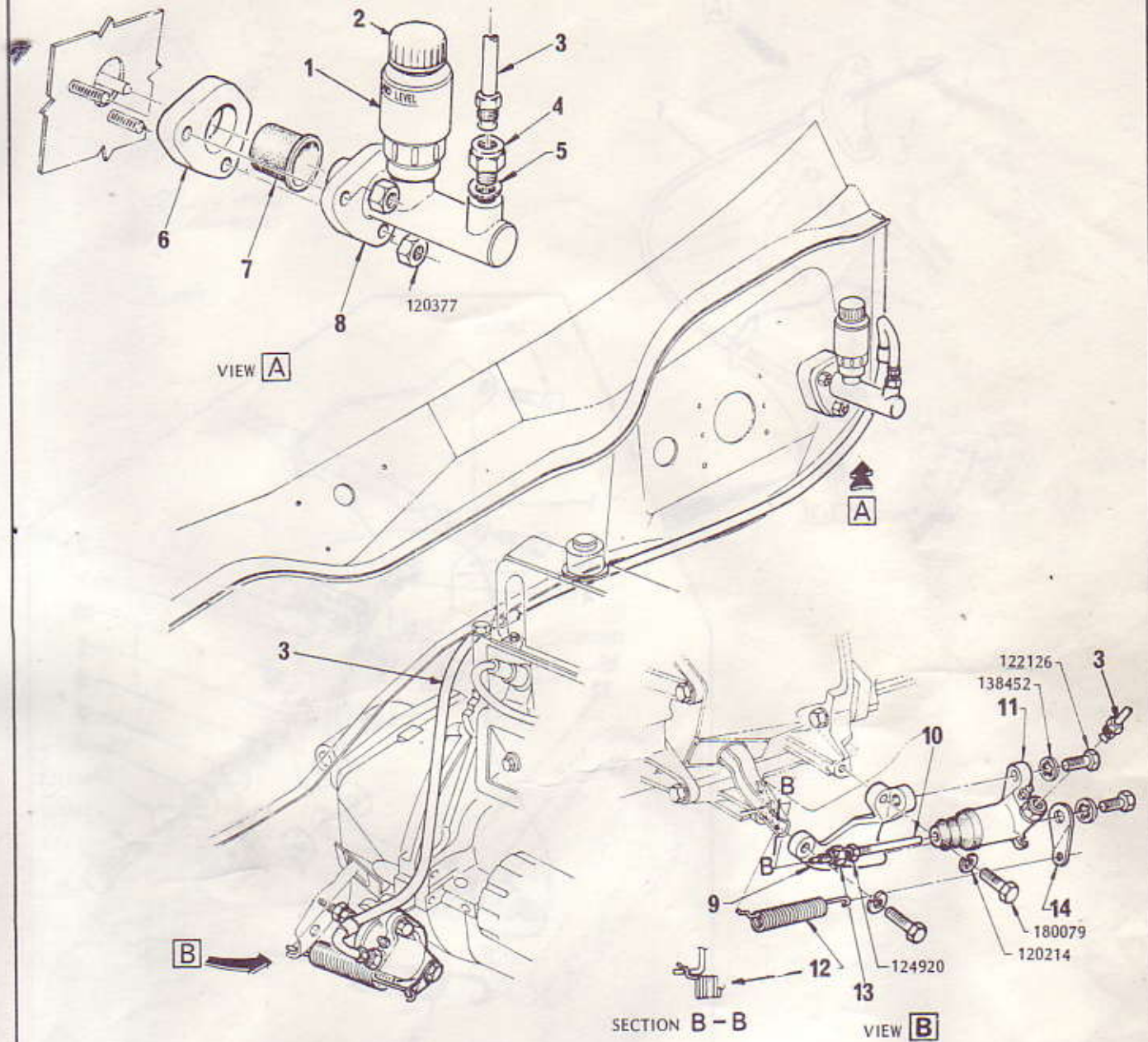
CLUTCH PEDAL
6, 8 Cylinder Engine
Left Hand Drive

ILLUS. REF. NO.	PART NAME	GROUP	ILLUS. REF. NO.	PART NAME	GROUP
1.	PAD - Clutch pedal	0.830	7.	ECCENTRIC ASSY. - Bumper	0.830
2.	PEDAL ASSY. - Clutch	0.830	8.	ROD - Master cylinder push	0.918
3.	BRACKET - Pedal support	0.833	9.	CLEVIS - Push rod	0.920
4.	BUSHING - Pedal	0.831	10.	CLIP - Clevis pin	0.921
5.	SHAFT - Pedal pivot	0.837	11.	PIN - Clevis	0.921
6.	BUMPER - Clutch pedal	0.830	12.	SPRING - Pedal return	0.844



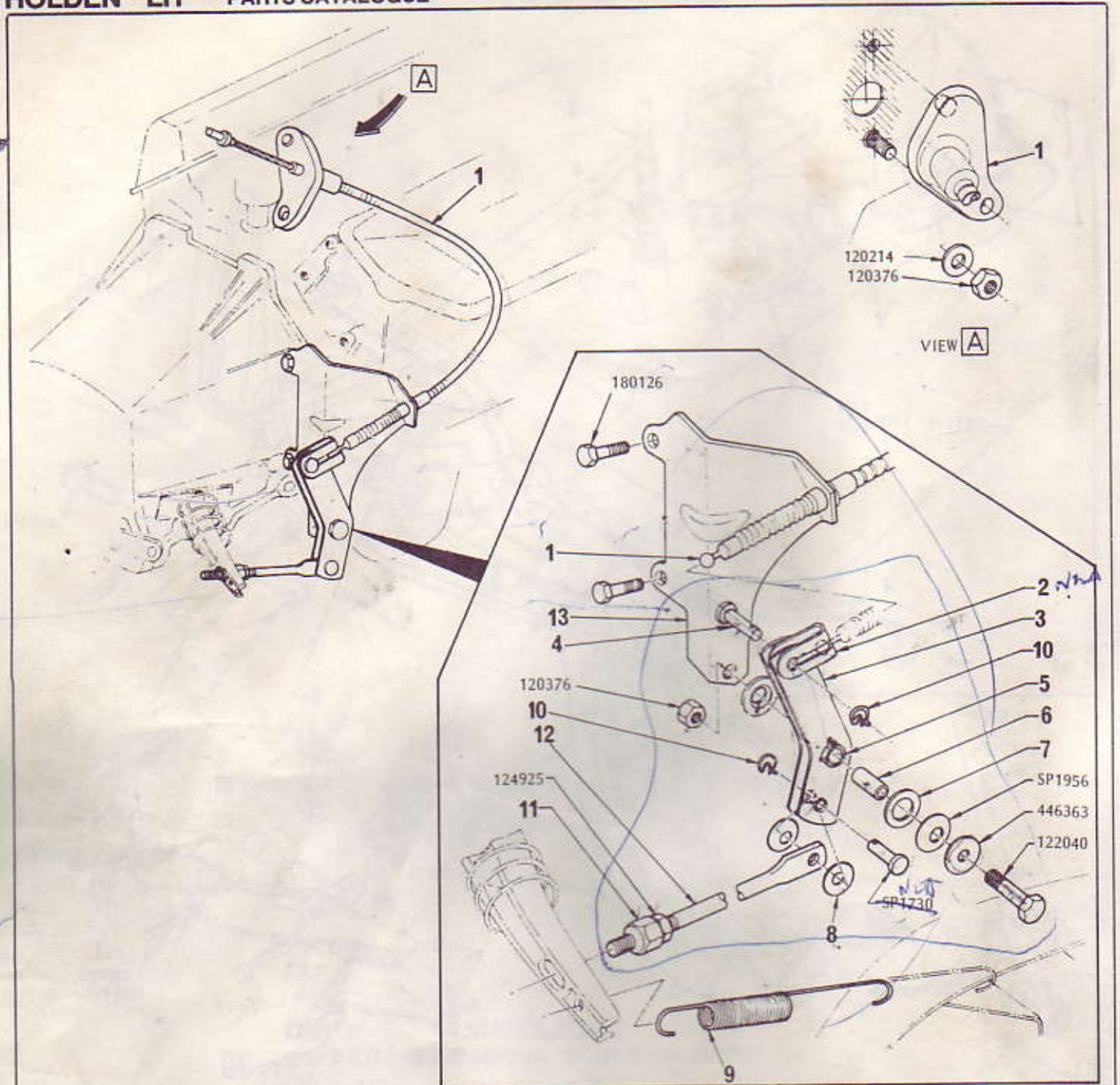
CLUTCH PEDAL
8 CYLINDER ENGINE — RIGHT HAND DRIVE

ILLUS. REF. NO.	PART NAME	GROUP
1.	NUT — Clutch pedal bolt	0.837
2.	CABLE ASSY. — Clutch pedal	0.787
3.	CLEVIS — Clutch pedal cable	0.787
4.	CLIP — Clevis pin	0.787
5.	BUSHING — Clutch pedal	0.831
6.	SPACER — Pedal pivot	0.831
7.	SPRING — Pedal return	0.844
8.	PEDAL ASSY. — Clutch	0.830
9.	PAD — Clutch pedal	0.830
10.	BUMPER — Clutch pedal	0.830
11.	ECCENTRIC ASSY. — Bumper	0.830



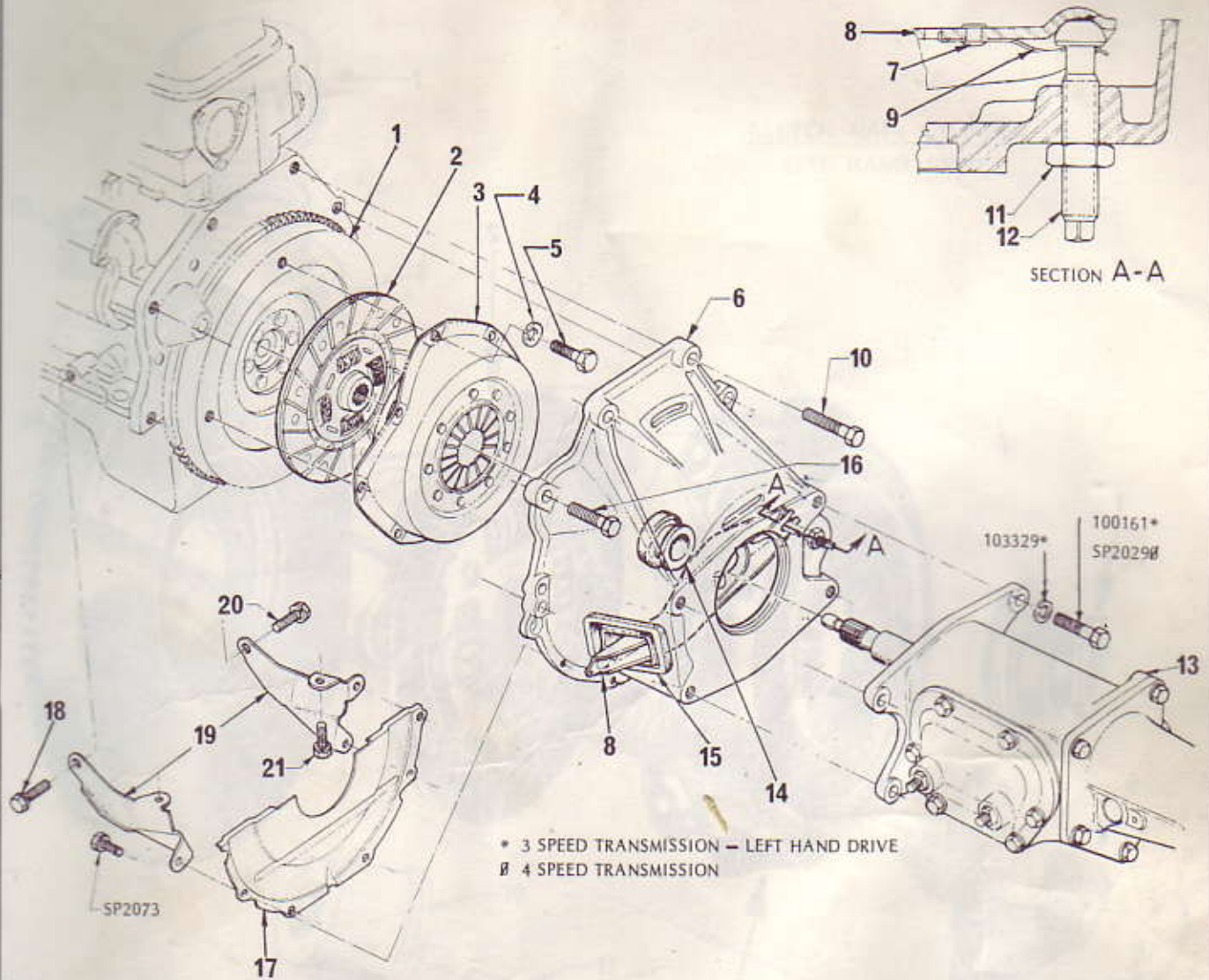
CLUTCH CONTROL
6 Cyl. Eng.
Left Hand Drive

ILLUS. REF. NO.	PART NAME	GROUP	ILLUS. REF. NO.	PART NAME	GROUP
1.	RESERVOIR - Master cylinder	0.906	8.	CYLINDER ASSY. - Clutch master	0.902
2.	CAP - Reservoir	0.907	9.	BRACKET - Actuating cylinder	0.934
3.	PIPE ASSY. - Master cylinder	0.929	10.	ROD - Lever push	0.839
4.	CONNECTOR - Pipe	0.929	11.	CYLINDER ASSY. - Actuating	0.934
5.	WASHER - Special	0.929	12.	SPRING - Clutch fork return	0.844
6.	SPACER - Mounting	0.903	13.	NUT - Adjusting	0.839
7.	SEAL - Push rod	0.924	14.	BRACKET - Fork return spring	0.846



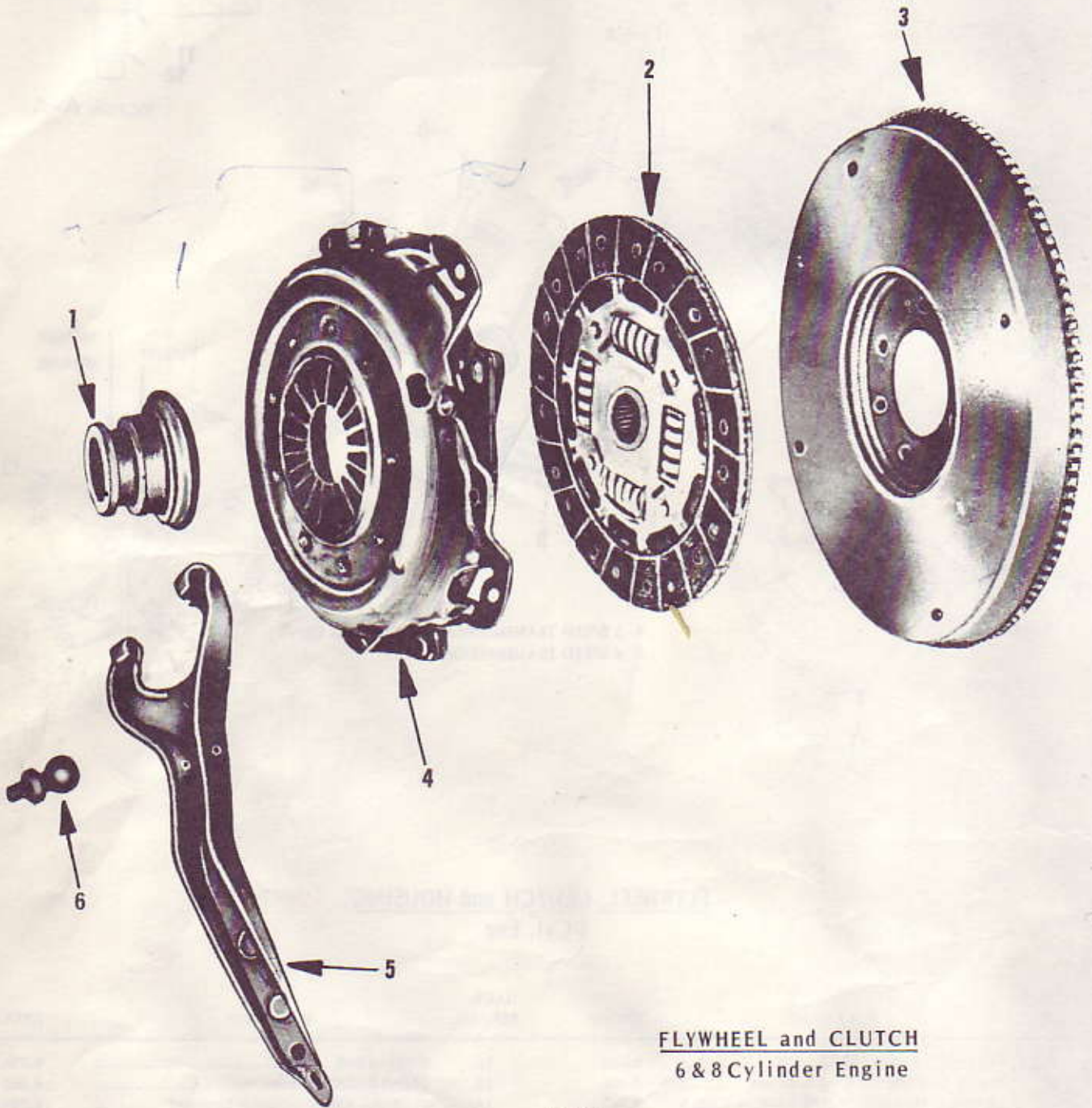
CLUTCH CONTROL
 8 Cylinder Engine
 Right Hand Drive

ILLUS. REF. NO.	PART NAME	GROUP	ILLUS. REF. NO.	PART NAME	GROUP
1.	CABLE ASSY. - Clutch control	0.787	8.	WASHER - Push rod spacer	0.839
2.	CLEVIS - Relay lever to cable	0.787	9.	SPRING - Clutch fork return	0.844
3.	LEVER - Relay	0.852	10.	CLIP - Lever brace	0.852
4.	PIN - Clevis to relay lever	0.787	11.	NUT - Adjusting	0.839
5.	BUSHING - Lever pivot	0.852	12.	ROD - Push	0.839
6.	SPACER - Pivot bushing	0.852	13.	BRACKET - Relay lever	0.852
7.	WASHER - Lever thrust	0.852			



FLYWHEEL, CLUTCH and HOUSING
4 Cyl. Eng.

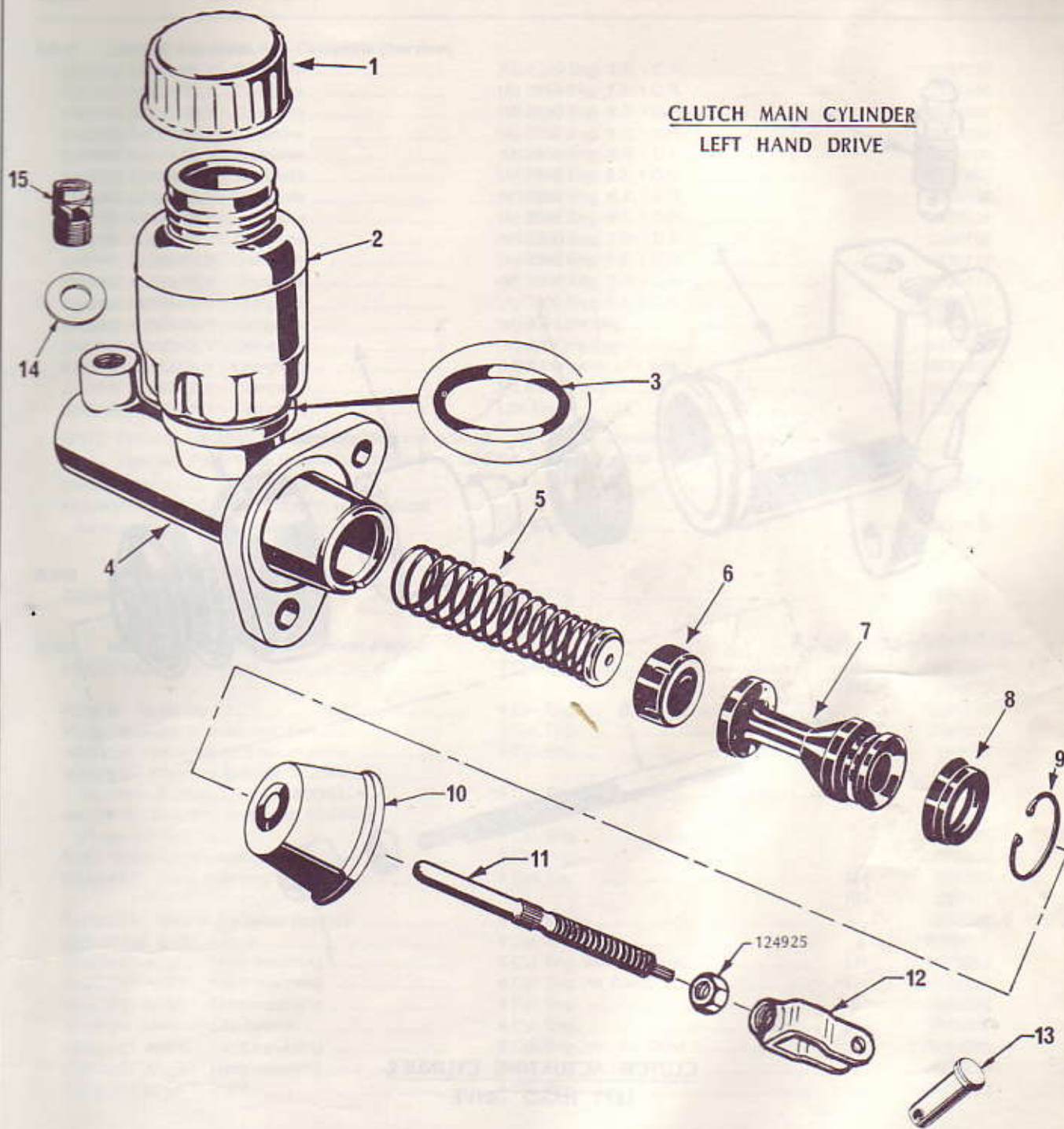
ILLUS. REF. NO.	PART NAME	GROUP	ILLUS. REF. NO.	PART NAME	GROUP
1.	FLYWHEEL & RING GEAR ASSY.	0.666	12.	STUD - Ball	0.796
2.	PLATE ASSEMBLY - Clutch driven	0.886	13.	TRANSMISSION ASSY.	4.003
3.	COVER & PRESSURE PLATE ASSY. - Clutch	0.861	14.	BEARING ASSY. - Clutch throwout	0.799
4.	WASHER - Lock 8.2mm	0.870	15.	BOOT - Clutch fork	0.797
5.	BOLT - Hex.hd. 8mm x 1.25 x 24mm	0.870	16.	BOLT - Hex.hd. 10mm X 1.5 x 25mm	0.683
6.	HOUSING - Clutch	0.683	17.	COVER - Clutch front	0.679
7.	RIVET - Stud spring	0.796	18.	BOLT - Hex.hd. 10mm x 1.5 x 18mm	0.683
8.	FORK ASSY. - Clutch	0.795	19.	BRACKET - Housing to cylinder block	0.683
9.	SPRING - Stud	0.796	20.	BOLT - Hex.hd. 10mm x 1.5 x 22mm	0.683
10.	BOLT - Hex.hd. 10mm x 1.5 x 35mm	0.683	21.	BOLT - Hex.hd. 8mm x 1.25 x 18mm	0.683
11.	NUT - Stud	0.796			



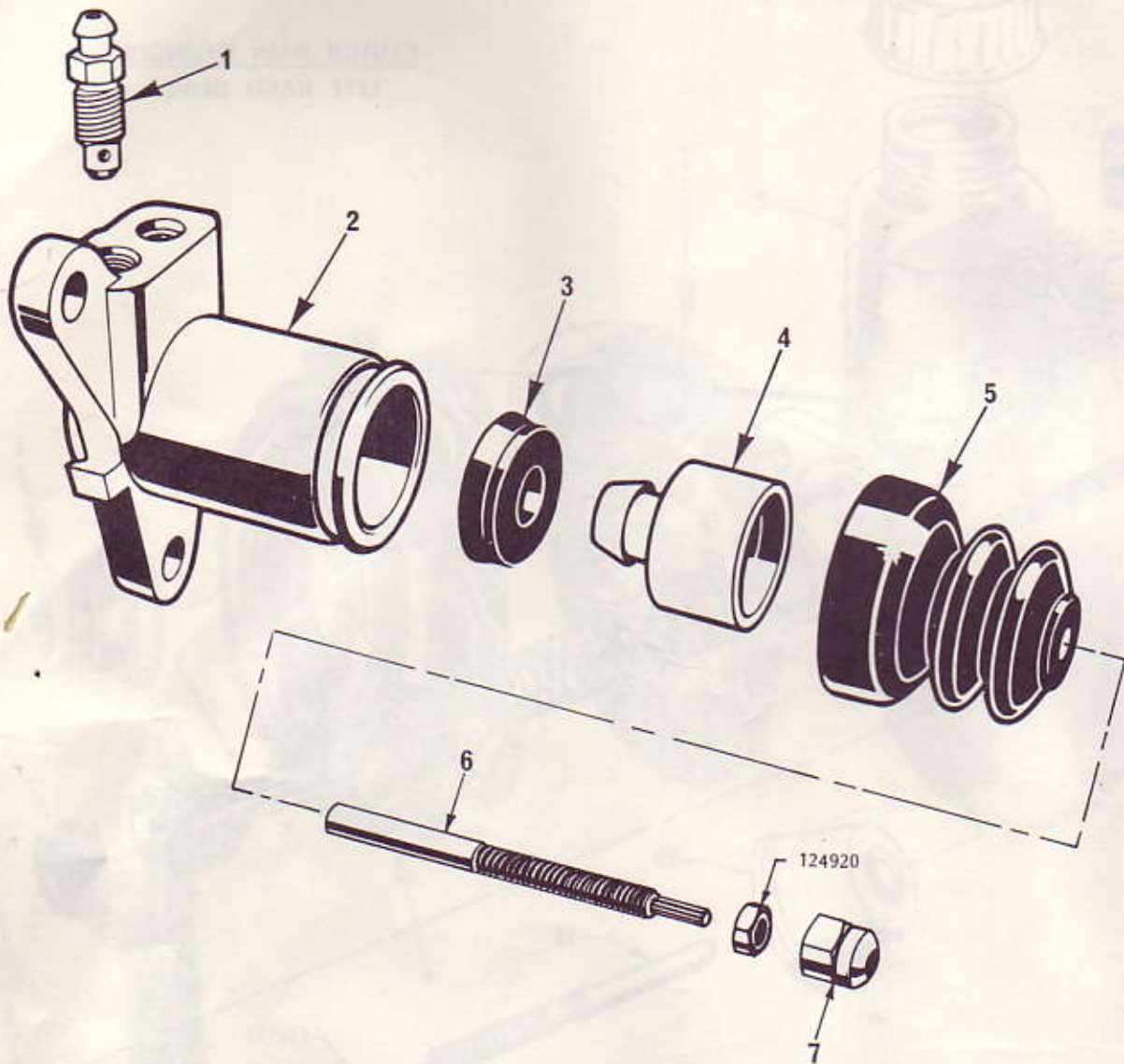
FLYWHEEL and CLUTCH
6 & 8 Cylinder Engine

ILLUS. REF. NO.	PART NAME	GROUP
1.	BEARING ASSY.	0.799
2.	PLATE ASSY. - Clutch driven	0.886
3.	FLYWHEEL & RING GEAR ASSY.	0.666
4.	COVER & PRESSURE PLATE ASSY. - Clutch	0.861
5.	LEVER - Clutch	0.795
6.	STUD - Clutch lever ball	0.796

CLUTCH MAIN CYLINDER
LEFT HAND DRIVE



ILLUS. REF. NO.	PART NAME	GROUP	ILLUS. REF. NO.	PART NAME	GROUP
1.	CAP - Reservoir	0.907	9.	RING - Lock	0.914
2.	RESERVOIR	0.906	10.	SEAL - Push rod	0.924
3.	SEAL - Reservoir	0.904	11.	ROD - Push	0.918
4.	BODY	0.902	12.	CLEVIS - Push rod	0.920
5.	SPRING ASSY.	0.913	13.	PIN - Clevis	0.921
6.	CUP - Piston	0.911	14.	WASHER - Special	0.929
7.	PISTON	0.910	15.	CONNECTOR - Pipe	0.929
8.	CUP - Piston secondary	0.912			



**CLUTCH ACTUATING CYLINDER
LEFT HAND DRIVE**

ILLUS. REF. NO.	PART NAME	GROUP
1.	VALVE - Bleeder	0.940
2.	BODY	N.S.S.
3.	CUP	0.937
4.	PISTON	0.936
5.	SEAL	0.935
6.	ROD - Push	0.839
7.	NUT - Adjusting	0.839

HOLDEN "LH" PARTS CATALOGUE

GROUP	DESCRIPTION	MODEL	SIDE	PART No.	QTY.
0.000	ENGINE ASSEMBLY — Complete (Service)				
	ENGINE ASSEMBLY - Complete	(M) 2250 Eng. 7.8:1 C.R.		9937595	1
	ENGINE ASSEMBLY - Complete	(A) 2250 Eng. 7.8:1 C.R.		9937596	1
	ENGINE ASSEMBLY - Complete	(M) 2250 Eng. 9.2:1 C.R.		9937597	1
	ENGINE ASSEMBLY - Complete	(A) 2250 Eng. 9.2:1 C.R.		9937598	1
	ENGINE ASSEMBLY - Complete	(M) 2850 Eng. 8.3:1 C.R.		9936705	1
	ENGINE ASSEMBLY - Complete	(A) 2850 Eng. 8.3:1 C.R.		9937600	1
	ENGINE ASSEMBLY - Complete	(M) 2850 Eng. 9.4:1 C.R.		9936707	1
	ENGINE ASSEMBLY - Complete	(A) 2850 Eng. 9.4:1 C.R.		9936708	1
	ENGINE ASSEMBLY - Complete	(M) 3300 Eng. 7.8:1 C.R.		9936709	1
	ENGINE ASSEMBLY - Complete	(A) 3300 Eng. 7.8:1 C.R.		9936710	1
	ENGINE ASSEMBLY - Complete	(M) 3300 Eng. 9.4:1 C.R.		9936711	1
	ENGINE ASSEMBLY - Complete	(A) 3300 Eng. 9.4:1 C.R.		9936712	1
	ENGINE ASSEMBLY - Complete	(M) 4.2 Litre Eng.		9937896	1
	ENGINE ASSEMBLY - Complete	(A) 4.2 Litre Eng.		9937894	1
	ENGINE ASSEMBLY - Complete	(M) 5 Litre exc. L34 Eng.		9937895	1
	ENGINE ASSEMBLY - Complete	(A) 5 Litre Eng.		9937868	1
	ENGINE ASSEMBLY - Complete	L34 Eng.			1
	NOTE: ENGINE ASSEMBLY - Complete (Service) includes:- Air Cleaner, Distributor, Exhaust Manifold, Fan, Flywheel, Fuel Pump, Generator, Ignition Coil, Oil Filter, Spark Plugs and Starter Motor.				
	ENGINE PACKAGE - High output	L34 Eng.		9937365	1
	ENGINE PACKAGE - High output (Less camshaft, carburettor and associated parts)	L34 Eng.		M37610	1
0.010	GASKET SET — Engine				
	GASKET SET	4 Cyl. Eng.		1606272	1
0.027	MOUNTING, BRACKET — Power plant				
	MOUNTING ASSY. - Front	4 Cyl. Eng.	LH	684287	1
			RH	684232	1
	SCREW - Mounting	4 Cyl. Eng.		2008240	6
	NUT - Mounting to cross member	4 Cyl. Eng.		2066205	2
	WASHER - Mounting to cross member	4 Cyl. Eng.		684629	2
	WASHER - Mounting bracket 10.2mm x 16.1mm x 2.5mm	4 Cyl. Eng.		2074175	2
	WASHER - Mounting to bracket 10.5mm x 21mm x 1mm	4 Cyl. Eng.		2082108	2
	NUT - Mounting to bracket	4 Cyl. Eng.		2064340	2
	BRACKET - Front mounting	4 Cyl. Eng.	LH	684113	1
			RH	684112	1
	BRACKET - Mounting bracket interlock	4 Cyl. Eng.		9933099	2
	MOUNTING ASSY. - Front	6 Cyl. Eng.		9929659	2
	BRACKET ASSY. - Front mounting	6 Cyl. Eng. exc. Air Cond.	LH	9929041	1
	BRACKET ASSY. - Front mounting	6 Cyl. Eng. Air Cond.	LH	2814771	1
	BRACKET ASSY. - Front mounting	6 Cyl. Eng.	RH	9929042	1
	WASHER - Mounting to bracket	6 Cyl. Eng.		3713379	4
	BRACKET ASSY. - Front mounting	8 Cyl. Eng. exc. Air Cond.		2829963	2
	BRACKET ASSY. - Front mounting	8 Cyl. Eng. Air Cond.		9937424	2
	SUPPORT ASSY. - Front	8 Cyl. Eng.		9930472	2
0.033	CYLINDER BLOCK				
	BLOCK COMPLETE - (Short Motor)	(M) 4 Cyl. Eng.		604133	1
	BLOCK COMPLETE - (Short Motor)	(A) 4 Cyl. Eng.		604134	1
	BLOCK COMPLETE - (Short Motor)	(M) 2250 Eng.		2818076	1
	BLOCK COMPLETE - (Short Motor)	(A) 2250 Eng.		9936864	1
	BLOCK COMPLETE - (Short Motor)	(M) 2850 Eng. 8.3:1 C.R.		9936861	1
	BLOCK COMPLETE - (Short Motor)	(A) 2850 Eng. 8.3:1 C.R.		9936862	1
	BLOCK COMPLETE - (Short Motor)	(M) 2850 Eng. 9.4:1 C.R.		9936859	1
	BLOCK COMPLETE - (Short Motor)	(A) 2850 Eng. 9.4:1 C.R.		9936860	1
	BLOCK COMPLETE - (Short Motor)	(M) 3300 Eng. 7.8:1 C.R.		9936869	1
	BLOCK COMPLETE - (Short Motor)	(A) 3300 Eng. 7.8:1 C.R.		9936870	1
	BLOCK COMPLETE - (Short Motor)	(M) 3300 Eng. 9.4:1 C.R.		9936865	1
	BLOCK COMPLETE - (Short Motor)	(A) 3300 Eng. 9.4:1 C.R.		9936866	1

N/A 08967850

HOLDEN "LH" PARTS CATALOGUE

GROUP	DESCRIPTION	MODEL	SIDE	PART No.	QTY.
0.033	CYLINDER BLOCK (contd.)				
	BLOCK COMPLETE - (Short Motor)	4.2 Litre Eng.		9937869	1
	BLOCK COMPLETE - (Short Motor)	5 Litre exc. L34 Eng.		9937871	1
	BLOCK COMPLETE - (Short Motor)	L34 Eng.		9936518	1
	BLOCK - Fitted with pistons	4 Cyl. Eng.		606125	1
	BLOCK - Fitted with pistons	2250 Eng.		(¹⁴ 2818079)	1
	BLOCK - Fitted with pistons	2250 Eng.		(¹⁵ 9936873)	1
	BLOCK - Fitted with pistons	2850 Eng. 8.3:1 C.R.		9936872	1
	BLOCK - Fitted with pistons	2850 Eng. 9.4:1 C.R.		(¹⁴ 2815462)	1
	BLOCK - Fitted with pistons	2850 Eng. 9.4:1 C.R.		(¹⁵ 9936871)	1
	BLOCK - Fitted with pistons	3300 Eng. 7.8:1 C.R.		(¹⁴ 2815465)	1
	BLOCK - Fitted with pistons	3300 Eng. 7.8:1 C.R.		(¹⁵ 9936876)	1
	BLOCK - Fitted with pistons	3300 Eng. 9.4:1 C.R.		(¹⁴ 2815464)	1
	BLOCK - Fitted with pistons	3300 Eng. 9.4:1 C.R.		(¹⁵ 9936874)	1
	BLOCK - Fitted with pistons	4.2 Litre Eng.		(¹⁴ 2811394)	1
	BLOCK - Fitted with pistons	4.2 Litre Eng.		(¹⁵ 9937872)	1
	BLOCK - Fitted with pistons	5 Litre Eng.		(¹⁴ 2811396)	1
	BLOCK - Fitted with pistons	5 Litre exc. L34 Eng.		(¹⁵ 9937874)	1
	BLOCK - Fitted with pistons	L34 Eng.		9936519	1
	PLUG - Water jacket expansion, 22mm dia.	4 Cyl. Eng.		606576	3
	PLUG - Water jacket expansion, 24mm dia.	4 Cyl. Eng.		606577	3
	PLUG - Water drain	4 Cyl. Eng.		2060726	2
	PLUG - Water jacket screw	4 Cyl. Eng.		606681	1
	PIN - Dowel	4 Cyl. Eng.		2086216	2
	PLUG - Water jacket core rear 2 1/8"	6 Cyl. Eng.		3789860	1
	PLUG - Water jacket core cup 2 1/8"	6 Cyl. Eng.		SP1649	1
	PLUG - Water jacket core 1 1/8"	6, 8 Cyl. Eng.		838538	3-8
	PLUG KIT - Expansion	6 Cyl. Eng.		7420345	1
	PLUG - Water jacket core 1 1/4"	6 Cyl. Eng.		7401296	2
	PLUG - Drain	6, 8 Cyl. Eng.		444819	1-2
	PIN - Dowel, cyl. head and crankcase cover	6, 8 Cyl. Eng.		141216	A.R.
	PLUG - Water jacket core 1 3/8"	8 Cyl. Eng.		SP1812	2
	PLUG - Rear locating hole - 5/8" cup	8 Cyl. Eng.		9427961	1
	NOTE - Block Complete - (Short Motor) includes: Crankshaft, Camshaft, Timing Gears, Pistons, Piston Pins, Connecting Rods, Front Cover Plate.				
0.056	BOLT - Crankshaft bearing cap				
	BOLT - Bearing cap	4 Cyl. Eng.		610479	10
	BOLT - Bearing cap	6 Cyl. Eng.		7420106	14
	BOLT - Bearing cap	8 Cyl. exc. L34 Eng.		7448829	10
	BOLT - Bearing cap	L34 Eng.		7448829	4
	STUD - Bearing cap	L34 Eng.		9936389	6
0.094	BEARING SET - Crankshaft				
	BEARING SET - Standard	4 Cyl. Eng.		1606089	1
	BEARING SET - .025mm U/S	4 Cyl. Eng.		1606090	1
	BEARING SET - .05mm U/S	4 Cyl. Eng.		1606091	1
	BEARING SET - .075mm U/S	4 Cyl. Eng.		1606092	1
	BEARING SET - .10mm U/S	4 Cyl. Eng.		1606093	1
	BEARING SET - Standard	2250, 2850 Eng.		(¹⁴ 7430402)	1
	BEARING SET - .001" U/S	2250, 2850 Eng.		(¹⁴ 7430403)	1
	BEARING SET - .002" U/S	2250, 2850 Eng.		(¹⁴ 7430404)	1
	BEARING SET - .010" U/S	2250, 2850 Eng.		(¹⁴ 7430406)	1
	BEARING SET - .020" U/S	2250, 2850 Eng.		(¹⁴ 7430407)	1
	BEARING SET - .030" U/S	2250, 2850 Eng.		(¹⁴ 7430408)	1
	BEARING SET - Standard	2250, 2850 Eng.		(¹⁵ 2817581)	1
	BEARING SET - .001" U/S	2250, 2850 Eng.		(¹⁵ 2817582)	1
	BEARING SET - .002" U/S	2250, 2850 Eng.		(¹⁵ 2817583)	1
	BEARING SET - .010" U/S	2250, 2850 Eng.		(¹⁵ 2817585)	1
	BEARING SET - .020" U/S	2250, 2850 Eng.		(¹⁵ 2817586)	1
	Note: (¹⁴ Use with neoprene crankshaft bearing oil seal. (¹⁵ Use with rope type crankshaft bearing oil seal. (¹⁴ Crankshaft journal size 2.197" - 2.198" (1st type) 6 Cyl. (¹⁵ Crankshaft journal size 2.497" - 2.498" (2nd type) 6 Cyl.				

HOLDEN "LH" PARTS CATALOGUE

GROUP	DESCRIPTION	MODEL	SIDE	PART No.	QTY.
0.094	BEARING SET — Crankshaft (contd.)				
	BEARING SET - .030" U/S	2250, 2850 Eng.		(²⁵ 2817587	1
	BEARING SET - Standard	3300 Eng.		2817581	1
	BEARING SET - .001" U/S	3300 Eng.		2817582	1
	BEARING SET - .002" U/S	3300 Eng.		2817583	1
	BEARING SET - .010" U/S	3300 Eng.		2817585	1
	BEARING SET - .020" U/S	3300 Eng.		2817586	1
	BEARING SET - .030" U/S	3300 Eng.		2817587	1
	BEARING SET - Standard	8 Cyl. exc. L34 Eng.		2806384	1
	BEARING SET - .001" U/S	8 Cyl. exc. L34 Eng.		2806385	1
	BEARING SET - .002" U/S	8 Cyl. exc. L34 Eng.		2806386	1
	BEARING SET - .010" U/S	8 Cyl. exc. L34 Eng.		2806388	1
	BEARING SET - .020" U/S	8 Cyl. exc. L34 Eng.		2806389	1
	BEARING SET - .030" U/S	8 Cyl. exc. L34 Eng.		2806390	1
	BEARING SET - Standard	L34 Eng.		9936534	1
	BEARING SET - .001" U/S	L34 Eng.		9936536	1
	BEARING SET - .002" U/S	L34 Eng.		9936538	1
	BEARING SET - .010" U/S	L34 Eng.		9936544	1
	BEARING SET - .020" U/S	L34 Eng.		9936550	1
	BEARING SET - .030" U/S	L34 Eng.		9936556	1
0.095	CAP — Crankshaft front bearing				
	CAP	2250, 2850 Eng.		(²⁴ 2819465	1
	CAP	2250, 2850 Eng.		(²⁵ 2819462	1
	CAP	3300 Eng.		2819462	1
	CAP	8 Cyl. Eng.		2811792	1
0.096	BEARING UNIT — Crankshaft front				
	BEARING UNIT - Standard	4 Cyl. Eng.		618036	1
	BEARING UNIT - 0.25mm U/S	4 Cyl. Eng.		618161	1
	BEARING UNIT - 0.5mm U/S	4 Cyl. Eng.		618310	1
	BEARING UNIT - Standard	2250, 2850 Eng.		(²⁴ 7430430	1
	BEARING UNIT - .001" U/S	2250, 2850 Eng.		(²⁴ 7430431	1
	BEARING UNIT - .002" U/S	2250, 2850 Eng.		(²⁴ 7430432	1
	BEARING UNIT - .010" U/S	2250, 2850 Eng.		(²⁴ 7430434	1
	BEARING UNIT - .020" U/S	2250, 2850 Eng.		(²⁴ 7430435	1
	BEARING UNIT - .030" U/S	2250, 2850 Eng.		(²⁴ 7430436	1
	BEARING UNIT - Standard	2250, 2850 Eng.		(²⁵ 2817588	1
	BEARING UNIT - .001" U/S	2250, 2850 Eng.		(²⁵ 2817589	1
	BEARING UNIT - .002" U/S	2250, 2850 Eng.		(²⁵ 2817590	1
	BEARING UNIT - .010" U/S	2250, 2850 Eng.		(²⁵ 2817592	1
	BEARING UNIT - .020" U/S	2250, 2850 Eng.		(²⁵ 2817593	1
	BEARING UNIT - .030" U/S	2250, 2850 Eng.		(²⁵ 2817594	1
	BEARING UNIT - Standard	3300 Eng.		2817588	1
	BEARING UNIT - .001" U/S	3300 Eng.		2817589	1
	BEARING UNIT - .002" U/S	3300 Eng.		2817590	1
	BEARING UNIT - .010" U/S	3300 Eng.		2817592	1
	BEARING UNIT - .020" U/S	3300 Eng.		2817593	1
	BEARING UNIT - .030" U/S	3300 Eng.		2817594	1
	BEARING UNIT - Standard	8 Cyl. exc. L34 Eng.		2806368	1
	BEARING UNIT - .001" U/S	8 Cyl. exc. L34 Eng.		2806369	1
	BEARING UNIT - .002" U/S	8 Cyl. exc. L34 Eng.		2806370	1
	BEARING UNIT - .010" U/S	8 Cyl. exc. L34 Eng.		2806372	1
	BEARING UNIT - .020" U/S	8 Cyl. exc. L34 Eng.		2806373	1
	BEARING UNIT - .030" U/S	8 Cyl. exc. L34 Eng.		2806374	1
	BEARING UNIT - Standard	L34 Eng.		9936535	1
	BEARING UNIT - .001" U/S	L34 Eng.		9936537	1
	BEARING UNIT - .002" U/S	L34 Eng.		9936539	1
	BEARING UNIT - .010" U/S	L34 Eng.		9936545	1
	BEARING UNIT - .020" U/S	L34 Eng.		9936551	1
	BEARING UNIT - .030" U/S	L34 Eng.		9936557	1

Note: (²⁴ Crankshaft journal size 2.197" - 2.198" (1st type) 6 Cyl.
(²⁵ Crankshaft journal size 2.497" - 2.498" (2nd type) 6 Cyl.

HOLDEN "LH" PARTS CATALOGUE

GROUP	DESCRIPTION	MODEL	SIDE	PART No.	QTY.
0.098	CAP — Crankshaft front intermediate bearing				
CAP	2250, 2850 Eng.		(²⁴ 2819465	2
CAP	2250, 2850 Eng.		(²⁵ 2819462	2
CAP	3300 Eng.		2819462	2
CAP	8 Cyl. Eng.		2811792	1
0.099	BEARING UNIT — Crankshaft front Intermediate				
BEARING UNIT - Standard	4 Cyl. Eng.		618036	1
BEARING UNIT - 0.25mm U/S	4 Cyl. Eng.		618161	1
BEARING UNIT - 0.5mm U/S	4 Cyl. Eng.		618310	1
BEARING UNIT - Standard	2250, 2850 Eng.		(²⁴ 7430430	2
BEARING UNIT - .001" U/S	2250, 2850 Eng.		(²⁴ 7430431	2
BEARING UNIT - .002" U/S	2250, 2850 Eng.		(²⁴ 7430432	2
BEARING UNIT - .010" U/S	2250, 2850 Eng.		(²⁴ 7430434	2
BEARING UNIT - .020" U/S	2250, 2850 Eng.		(²⁴ 7430435	2
BEARING UNIT - .030" U/S	2250, 2850 Eng.		(²⁴ 7430436	2
BEARING UNIT - Standard	2250, 2850 Eng.		(²⁵ 2817588	2
BEARING UNIT - .001" U/S	2250, 2850 Eng.		(²⁵ 2817589	2
BEARING UNIT - .002" U/S	2250, 2850 Eng.		(²⁵ 2817590	2
BEARING UNIT - .010" U/S	2250, 2850 Eng.		(²⁵ 2817592	2
BEARING UNIT - .020" U/S	2250, 2850 Eng.		(²⁵ 2817593	2
BEARING UNIT - .030" U/S	2250, 2850 Eng.		(²⁵ 2817594	2
BEARING UNIT - Standard	3300 Eng.		2817588	2
BEARING UNIT - .001" U/S	3300 Eng.		2817589	2
BEARING UNIT - .002" U/S	3300 Eng.		2817590	2
BEARING UNIT - .010" U/S	3300 Eng.		2817592	2
BEARING UNIT - .020" U/S	3300 Eng.		2817593	2
BEARING UNIT - .030" U/S	3300 Eng.		2817594	2
BEARING UNIT - Standard	8 Cyl. exc. L34 Eng.		2806368	1
BEARING UNIT - .001" U/S	8 Cyl. exc. L34 Eng.		2806369	1
BEARING UNIT - .002" U/S	8 Cyl. exc. L34 Eng.		2806370	1
BEARING UNIT - .010" U/S	8 Cyl. exc. L34 Eng.		2806372	1
BEARING UNIT - .020" U/S	8 Cyl. exc. L34 Eng.		2806373	1
BEARING UNIT - .030" U/S	8 Cyl. exc. L34 Eng.		2806374	1
BEARING UNIT - Standard	L34 Eng.		9936535	1
BEARING UNIT - .001" U/S	L34 Eng.		9936537	1
BEARING UNIT - .002" U/S	L34 Eng.		9936539	1
BEARING UNIT - .010" U/S	L34 Eng.		9936545	1
BEARING UNIT - .020" U/S	L34 Eng.		9936551	1
BEARING UNIT - .030" U/S	L34 Eng.		9936557	1
0.100	CAP — Crankshaft centre bearing				
CAP	2250, 2850 Eng.		(²⁴ 2819465	1
CAP	2250, 2850 Eng.		(²⁵ 2819462	1
CAP	3300 Eng.		2819462	1
CAP	8 Cyl. Eng.		2811792	1
0.101	BEARING, BEARING UNIT — Crankshaft centre				
BEARING UNIT - Standard	4 Cyl. Eng.		618036	1
BEARING UNIT - 0.25mm U/S	4 Cyl. Eng.		618161	1
BEARING UNIT - 0.5mm U/S	4 Cyl. Eng.		618310	1
BEARING UNIT - Standard	2250, 2850 Eng.		(²⁴ 7430430	1
BEARING UNIT - .001" U/S	2250, 2850 Eng.		(²⁴ 7430431	1
BEARING UNIT - .002" U/S	2250, 2850 Eng.		(²⁴ 7430432	1
BEARING UNIT - .010" U/S	2250, 2850 Eng.		(²⁴ 7430434	1
BEARING UNIT - .020" U/S	2250, 2850 Eng.		(²⁴ 7430435	1
BEARING UNIT - .030" U/S	2250, 2850 Eng.		(²⁴ 7430436	1
BEARING UNIT - Standard	2250, 2850 Eng.		(²⁵ 2817588	1
BEARING UNIT - .001" U/S	2250, 2850 Eng.		(²⁵ 2817589	1
BEARING UNIT - .002" U/S	2250, 2850 Eng.		(²⁵ 2817590	1
BEARING UNIT - .010" U/S	2250, 2850 Eng.		(²⁵ 2817592	1
BEARING UNIT - .020" U/S	2250, 2850 Eng.		(²⁵ 2817593	1
Note:	(²⁴ Crankshaft journal size 2.197" - 2.198" (1st type) 6 Cyl.				
	(²⁵ Crankshaft journal size 2.497" - 2.498" (2nd type) 6 Cyl.				

HOLDEN "LH" PARTS CATALOGUE

GROUP	DESCRIPTION	MODEL	SIDE	PART No.	QTY.
0.101 BEARING, BEARING UNIT — Crankshaft centre (contd.)					
	BEARING UNIT - .030" U/S	2250, 2850 Eng.		(²⁵ 2817594	1
	BEARING UNIT - Standard	3300 Eng.		2817588	1
	BEARING UNIT - .001" U/S	3300 Eng.		2817589	1
	BEARING UNIT - .002" U/S	3300 Eng.		2817590	1
	BEARING UNIT - .010" U/S	3300 Eng.		2817592	1
	BEARING UNIT - .020" U/S	3300 Eng.		2817593	1
	BEARING UNIT - .030" U/S	3300 Eng.		2817594	1
	BEARING UNIT - Standard	8 Cyl. exc. L34 Eng.		2806368	1
	BEARING UNIT - .001" U/S	8 Cyl. exc. L34 Eng.		2806369	1
	BEARING UNIT - .002" U/S	8 Cyl. exc. L34 Eng.		2806370	1
	BEARING UNIT - .010" U/S	8 Cyl. exc. L34 Eng.		2806372	1
	BEARING UNIT - .020" U/S	8 Cyl. exc. L34 Eng.		2806373	1
	BEARING UNIT - .030" U/S	8 Cyl. exc. L34 Eng.		2806374	1
	BEARING UNIT - Standard	L34 Eng.		9936535	1
	BEARING UNIT - .001" U/S	L34 Eng.		9936537	1
	BEARING UNIT - .002" U/S	L34 Eng.		9936539	1
	BEARING UNIT - .010" U/S	L34 Eng.		9936545	1
	BEARING UNIT - .020" U/S	L34 Eng.		9936551	1
	BEARING UNIT - .030" U/S	L34 Eng.		9936557	1
0.102 CAP — Crankshaft rear intermediate bearing					
	CAP	2250, 2850 Eng.		(²⁴ 2819465	2
	CAP	2250, 2850 Eng.		(²⁵ 2819462	2
	CAP	3300 Eng.		2819462	2
	CAP	8 Cyl. Eng.		2811792	1
0.103 BEARING UNIT — Crankshaft rear intermediate					
	BEARING UNIT - Standard	4 Cyl. Eng.		618036	1
	BEARING UNIT - 0.25mm U/S	4 Cyl. Eng.		618161	1
	BEARING UNIT - 0.5mm U/S	4 Cyl. Eng.		618310	1
	BEARING UNIT - Standard	2250, 2850 Eng.		(²⁴ 7430430	2
	BEARING UNIT - .001" U/S	2250, 2850 Eng.		(²⁴ 7430431	2
	BEARING UNIT - .002" U/S	2250, 2850 Eng.		(²⁴ 7430432	2
	BEARING UNIT - .010" U/S	2250, 2850 Eng.		(²⁴ 7430434	2
	BEARING UNIT - .020" U/S	2250, 2850 Eng.		(²⁴ 7430435	2
	BEARING UNIT - .030" U/S	2250, 2850 Eng.		(²⁴ 7430436	2
	BEARING UNIT - Standard	2250, 2850 Eng.		(²⁵ 2817588	2
	BEARING UNIT - .001" U/S	2250, 2850 Eng.		(²⁵ 2817589	2
	BEARING UNIT - .002" U/S	2250, 2850 Eng.		(²⁵ 2817590	2
	BEARING UNIT - .010" U/S	2250, 2850 Eng.		(²⁵ 2817592	2
	BEARING UNIT - .020" U/S	2250, 2850 Eng.		(²⁵ 2817593	2
	BEARING UNIT - .030" U/S	2250, 2850 Eng.		(²⁵ 2817594	2
	BEARING UNIT - Standard	3300 Eng.		2817588	2
	BEARING UNIT - .001" U/S	3300 Eng.		2817589	2
	BEARING UNIT - .002" U/S	3300 Eng.		2817590	2
	BEARING UNIT - .010" U/S	3300 Eng.		2817592	2
	BEARING UNIT - .020" U/S	3300 Eng.		2817593	2
	BEARING UNIT - .030" U/S	3300 Eng.		2817594	2
	BEARING UNIT - Standard	8 Cyl. exc. L34 Eng.		2806368	1
	BEARING UNIT - .001" U/S	8 Cyl. exc. L34 Eng.		2806369	1
	BEARING UNIT - .002" U/S	8 Cyl. exc. L34 Eng.		2806370	1
	BEARING UNIT - .010" U/S	8 Cyl. exc. L34 Eng.		2806372	1
	BEARING UNIT - .020" U/S	8 Cyl. exc. L34 Eng.		2806373	1
	BEARING UNIT - .030" U/S	8 Cyl. exc. L34 Eng.		2806374	1
	BEARING UNIT - Standard	L34 Eng.		9936535	1
	BEARING UNIT - .001" U/S	L34 Eng.		9936537	1
	BEARING UNIT - .002" U/S	L34 Eng.		9936539	1
	BEARING UNIT - .010" U/S	L34 Eng.		9936545	1
	BEARING UNIT - .020" U/S	L34 Eng.		9936551	1
	BEARING UNIT - .030" U/S	L34 Eng.		9936557	1

Note: (²⁴ Crankshaft journal size 2.197" - 2.198" (1st type) 6 Cyl.
(²⁵ Crankshaft journal size 2.497" - 2.498" (2nd type) 6 Cyl.)

HOLDEN "LH" PARTS CATALOGUE

GROUP	DESCRIPTION	MODEL	SIDE	PART No.	QTY.
0.105	CAP — Crankshaft rear bearing				
	CAP - (Neoprene seal)	2250, 2850 Eng.		2819471	1
	CAP - (Rope type seal)	2250, 2850 Eng.		(²⁴ 9937268)	1
	CAP - (Rope type seal)	2250, 2850 Eng.		(²⁵ 9937267)	1
	CAP - (Neoprene seal)	3300 Eng.		2819468	1
	CAP - (Rope type seal)	3300 Eng.		9937267	1
	CAP - (Neoprene seal)	8 Cyl. Eng.		2811795	1
	CAP - (Rope type seal)	8 Cyl. exc. L34 Eng.		9937924	1
0.106	BEARING, BEARING UNIT — Crankshaft rear				
	BEARING UNIT - Standard	4 Cyl. Eng.		618710	1
	BEARING UNIT - 0.25mm U/S	4 Cyl. Eng.		618735	1
	BEARING UNIT - 0.5mm U/S	4 Cyl. Eng.		618760	1
	BEARING UNIT - Standard	2250, 2850 Eng.		(²⁴ 7430437)	1
	BEARING UNIT - .001° U/S	2250, 2850 Eng.		(²⁴ 7430438)	1
	BEARING UNIT - .002° U/S	2250, 2850 Eng.		(²⁴ 7430439)	1
	BEARING UNIT - .010° U/S	2250, 2850 Eng.		(²⁴ 7430441)	1
	BEARING UNIT - .020° U/S	2250, 2850 Eng.		(²⁴ 7430442)	1
	BEARING UNIT - .030° U/S	2250, 2850 Eng.		(²⁴ 7430443)	1
	BEARING UNIT - Standard	2250, 2850 Eng.		(²⁵ 2817595)	1
	BEARING UNIT - .001° U/S	2250, 2850 Eng.		(²⁵ 2817596)	1
	BEARING UNIT - .002° U/S	2250, 2850 Eng.		(²⁵ 2817597)	1
	BEARING UNIT - .010° U/S	2250, 2850 Eng.		(²⁵ 2817599)	1
	BEARING UNIT - .020° U/S	2250, 2850 Eng.		(²⁵ 2817600)	1
	BEARING UNIT - .030° U/S	2250, 2850 Eng.		(²⁵ 2817601)	1
	BEARING UNIT - Standard	3300 Eng.		2817595	1
	BEARING UNIT - .001° U/S	3300 Eng.		2817596	1
	BEARING UNIT - .002° U/S	3300 Eng.		2817597	1
	BEARING UNIT - .010° U/S	3300 Eng.		2817599	1
	BEARING UNIT - .020° U/S	3300 Eng.		2817600	1
	BEARING UNIT - .030° U/S	3300 Eng.		2817601	1
	BEARING UNIT - Standard	8 Cyl. exc. L34 Eng.		2806375	1
	BEARING UNIT - .001° U/S	8 Cyl. exc. L34 Eng.		2806376	1
	BEARING UNIT - .002° U/S	8 Cyl. exc. L34 Eng.		2806377	1
	BEARING UNIT - .010° U/S	8 Cyl. exc. L34 Eng.		2806379	1
	BEARING UNIT - .020° U/S	8 Cyl. exc. L34 Eng.		2806380	1
	BEARING UNIT - .030° U/S	8 Cyl. exc. L34 Eng.		2806381	1
	BEARING UNIT - Standard	L34 Eng.		9936599	1
	BEARING UNIT - .001° U/S	L34 Eng.		9936600	1
	BEARING UNIT - .002° U/S	L34 Eng.		9936601	1
	BEARING UNIT - .010° U/S	L34 Eng.		9936602	1
	BEARING UNIT - .020° U/S	L34 Eng.		9936603	1
	BEARING UNIT - .030° U/S	L34 Eng.		9936604	1
0.137	SEAL — Crankshaft bearing oil				
	SEAL	4 Cyl. Eng.		814809	1
	SEAL PACKAGE - Neoprene type	6, 8 Cyl. Eng.		9929165	1
	SEAL - Rope type	6, 8 Cyl. Eng.		9929162	2
0.206	COVER — Crankcase front end				
	COVER ASSY.	4 Cyl. Eng.		638091	1
	SCREW - Cover to cylinder block	4 Cyl. Eng.		638404	1
	WASHER - Spring lock, 7.1mm	4 Cyl. Eng.		2074125	1
	NUT - Hex., 7mm x 1	4 Cyl. Eng.		2064201	1
	BOLT - Hex. hd. with spring washer, 7mm x 1 x 40mm	4 Cyl. Eng.		2018075	4
	BOLT - Hex. hd. with spring washer, 7mm x 1 x 68mm	4 Cyl. Eng.		2018076	4
	BOLT - Hex. hd. with spring washer 7mm x 1 x 20mm	4 Cyl. Eng.		2018078	3
	BOLT - Hex. hd. with spring washer 7mm x 1 x 72mm	4 Cyl. Eng.		2018077	3
	SCREW - Hex. socket set 8mm x 1.25 x 11mm	4 Cyl. Eng.		2024057	2
	PIN - Straight 8mm x 16mm	4 Cyl. Eng.		2086212	2
	COVER ASSEMBLY	6 Cyl. Eng.		2814753	1
	BOLT - Crankcase front cover	6 Cyl. Eng.		7427738	6
	Note: (²⁴ Crankshaft journal size 2.197" - 2.198" (1st type) 6 Cyl. (²⁵ Crankshaft journal size 2.497" - 2.498" (2nd type) 6 Cyl.)				

HOLDEN "LH" PARTS CATALOGUE

GROUP	DESCRIPTION	MODEL	SIDE	PART No.	QTY.
0.206	COVER — Crankcase front end (contd.)				
	COVER ASSY.	8 Cyl. Eng.		2816753	1
	BOLT - Crankcase front cover	8 Cyl. Eng.		9427637	2
	PIN - Cover locating, dowel 1/4" x 3/16"	8 Cyl. Eng.		141192	2
0.207	GASKET — Crankcase front end cover				
	GASKET	4 Cyl. Eng.	LH	638231	1
			RH	688232	1
	GASKET	6 Cyl. Eng.		7420004	1
	GASKET	8 Cyl. Eng.		7434717	1
0.209	SEAL, PLUG — Crankcase front end cover oil				
	SEAL - 60mm x 45mm x 10mm	4 Cyl. Eng.		688185	1
	PLUG - 17.2mm x 12mm x 5.5mm	4 Cyl. Eng.		638182	1
	PLUG - Expansion	4 Cyl. Eng.		606565	2
	SEAL	6 Cyl. Eng.		3835946	1
	SEAL	8 Cyl. Eng.		3980267	1
0.210	INDICATOR — Timing				
	INDICATOR	8 Cyl. Eng.		7435456	1
0.269	HEAD — Cylinder				
	HEAD	4 Cyl. Eng.		607033	1
	COVER - Side	4 Cyl. Eng.		607480	1
	GASKET - Side cover	4 Cyl. Eng.		607500	1
	BOLT - Side cover to cylinder head, hex. hd. with spring washer 6mm x 1 x 12mm	4 Cyl. Eng.		2000118	2
	HEAD COMPLETE	2250 Eng. 9.2:1 C.R.		2819454	1
	HEAD COMPLETE	2250 Eng. 7.8:1 C.R.		2819457	1
	HEAD COMPLETE	2850 Eng. 9.4:1 C.R.		2819454	1
	HEAD COMPLETE	2850 Eng. 8.3:1 C.R.		2819457	1
	HEAD COMPLETE	3300 Eng.		2819457	1
	HEAD COMPLETE	8 Cyl. exc. L34 Eng.		2812173	2
	HEAD	2250 Eng. 9.2:1 C.R.		2823850	1
	HEAD	2250 Eng. 7.8:1 C.R.		2823851	1
	HEAD	2850 Eng. 9.4:1 C.R.		2823850	1
	HEAD	2850 Eng. 8.3:1 C.R.		2823851	1
	HEAD	3300 Eng.		2823851	1
	HEAD	8 Cyl. exc. L34 Eng.		2812174	2
	HEAD	L34 Eng.		9936382	2
	PLUG - Water jacket core 3/4"	6 Cyl. Eng.		7420138	3
	PLUG - Water jacket core cup 3/8"	6 Cyl. Eng.		SP1650	3
0.277	SWITCH, SENDER UNIT — Thermo				
	SWITCH - Thermo tell tale (warning lamp)	4 Cyl. Eng.		(1239230)	1
	SWITCH - Thermo tell tale (warning lamp)	6, 8 Cyl. Eng.		7438087	1
	SENDER UNIT - Engine (gauges)	ALL		9932443	1
	BUSHING - Engine sender unit (gauges)	4 Cyl. Eng.		SP2434	1
	ADAPTOR - Engine sender unit (gauges)	6, 8 Cyl. Eng.		7438477	1
0.289	GASKET SET, GASKET — Cylinder head				
	GASKET SET	4 Cyl. Eng.		606346	1
	GASKET	4 Cyl. Eng.		607455	1
	GASKET SET	2250 Eng.		2812760	1
	GASKET	2250 Eng.		7425993	1
	GASKET SET	2850 Eng.		2819458	1
	GASKET	2850 Eng.		2810692	1
	GASKET SET	3300 Eng.		7430270	1
	GASKET	3300 Eng.		7429473	1
	GASKET SET	4.2 Litre Eng.		2811056	1

HOLDEN "LH" PARTS CATALOGUE

GROUP	DESCRIPTION	MODEL	SIDE	PART No.	QTY.
0.289	GASKET SET, GASKET — Cylinder head (contd.)				
	GASKET	4.2 Litre Eng.		7434812	2
	GASKET SET	5 Litre Eng.	M39834	(2811057)	1
	GASKET	5 Litre Eng.		7438960	2
0.293	BOLT — Cylinder head				
	BOLT - 12mm x 1.5 x 60mm	4 Cyl. Eng.		2048276	5
	BOLT - 12mm x 1.5 x 92mm	4 Cyl. Eng.		2048277	5
	BOLT	6 Cyl. Eng.		7420137	14
	BOLT - 1 $\frac{1}{8}$ " long	8 Cyl. Eng.		7434808	10
	BOLT - 3 $\frac{1}{8}$ " long	8 Cyl. Eng.		7434809	4
	BOLT - 4 $\frac{1}{8}$ " long	8 Cyl. Eng.		7434810	10
0.296	VALVE — Inlet				
	VALVE - Standard	4 Cyl. Eng.		642718	4
	VALVE - 0.075mm O/S	4 Cyl. Eng.		642719	4
	VALVE - 0.15mm O/S	4 Cyl. Eng.		642720	4
	VALVE - 0.30mm O/S	4 Cyl. Eng.		642721	4
	VALVE - Standard	6 Cyl. Eng.		7420071	6
	VALVE - .0015" O/S	6 Cyl. Eng.		7427731	6
	VALVE - .003" O/S	6 Cyl. Eng.		7420172	6
	VALVE - .015" O/S	6 Cyl. Eng.		7420173	6
	VALVE - .030" O/S	6 Cyl. Eng.		7420174	6
	VALVE - Standard	8 Cyl. exc. L34 Eng.		7434767	8
	VALVE - .0015" O/S	8 Cyl. exc. L34 Eng.		7434814	8
	VALVE - .003" O/S	8 Cyl. exc. L34 Eng.		7434815	8
	VALVE - .015" O/S	8 Cyl. exc. L34 Eng.		7434816	8
	VALVE - .030" O/S	8 Cyl. exc. L34 Eng.		7434817	8
	VALVE - Standard	L34 Eng.		9935278	8
	VALVE - .0015" O/S	L34 Eng.		9935279	8
	VALVE - .003" O/S	L34 Eng.		9935280	8
	VALVE - .015" O/S	L34 Eng.		9935281	8
	VALVE - .030" O/S	L34 Eng.		9935282	8
0.297	VALVE — Exhaust				
	VALVE - Standard	4 Cyl. Eng.		642845	4
	VALVE - 0.075mm O/S	4 Cyl. Eng.		642846	4
	VALVE - 0.15mm O/S	4 Cyl. Eng.		642847	4
	VALVE - 0.30mm O/S	4 Cyl. Eng.		642848	4
	VALVE - Standard	6 Cyl. Eng.		7420072	6
	VALVE - .0015" O/S	6 Cyl. Eng.		7427732	6
	VALVE - .003" O/S	6 Cyl. Eng.		7420175	6
	VALVE - .015" O/S	6 Cyl. Eng.		7420176	6
	VALVE - .030" O/S	6 Cyl. Eng.		7420177	6
	VALVE - Standard	8 Cyl. exc. L34 Eng.		7434768	8
	VALVE - .0015" O/S	8 Cyl. exc. L34 Eng.		7434818	8
	VALVE - .003" O/S	8 Cyl. exc. L34 Eng.		7434819	8
	VALVE - .015" O/S	8 Cyl. exc. L34 Eng.		7434820	8
	VALVE - .030" O/S	8 Cyl. exc. L34 Eng.		7434821	8
	VALVE - Standard	L34 Eng.		9935284	8
	VALVE - .0015"	L34 Eng.		9935285	8
	VALVE - .003"	L34 Eng.		9935286	8
	VALVE - .015"	L34 Eng.		9935287	8
	VALVE - .030"	L34 Eng.		9935288	8
0.303	SPRING — Valve				
	SPRING - Inlet	4 Cyl. Eng.		642258	4
	SPRING - Exhaust	4 Cyl. Eng.		642269	4
	SPRING	6 Cyl. Eng.		7420073	12
	SPRING	8 Cyl. Eng.		3911068	16
	SPRING & DAMPER ASSY.	L34 Eng.		(* 3927142)	16

Note: (* Component of 9937365, M37610.

HOLDEN "LH" PARTS CATALOGUE

GROUP	DESCRIPTION	MODEL	SIDE	PART No.	QTY.
0.308	SEAL, CAP, SHIELD — Valve stem				
	SEAL	4 Cyl. Eng.		642452	8
	CAP	4 Cyl. Eng.		642478	8
	SEAL	6 Cyl. Eng.		7434738	12
	SHIELD	6 Cyl. Eng.		3836755	12
	SEAL	8 Cyl. Eng.		7434738	16
	SHIELD	8 Cyl. Eng.		7436029	16
0.309	CUP, ROTATOR — Valve spring				
	CUP	4 Cyl. Eng.		642284	8
	ROTATOR - Exhaust valve	4 Cyl. Eng.		642600	4
0.309	CAP — Valve spring				
	CAP	6 Cyl. Eng.		3711176	12
	CAP	8 Cyl. Eng.		3896934	16
0.310	KEY — Valve stem				
	KEY	4 Cyl. Eng.		642359	16
	KEY	6, 8 Cyl. Eng.		838029	24-32
0.333	ARM — Valve rocker				
	ARM	4 Cyl. Eng.		640594	8
	ARM	6 Cyl. Eng.		2811931	12
	ARM	8 Cyl. Eng.		7434870	16
	ARM	L34 Eng.		(⁴² 9937417	16
0.386	COVER — Valve rocker				
	COVER	4 Cyl. Eng.		607583	1
	BOLT - Cover fixing, Hex. hd. 6mm x 1 x 12mm	4 Cyl. Eng.		2000118	5
	COVER ASSY.	6 Cyl. Eng.		9932266	1
	COVER ASSY.	8 Cyl. Eng. exc. Air Cond., L34 Eng.			
		RIGHT HAND DRIVE	LH	9932330	1
			RH	9933189	1
	COVER ASSY.	L34 Eng.	LH	9932902	1
			RH	9932874	1
	COVER ASSY.	8 Cyl. Eng. Air Cond.			
		RIGHT HAND DRIVE	LH	9932902	1
			RH	9933189	1
	COVER ASSY.	8 Cyl. Eng.LEFT HAND DRIVE	LH	9932330	1
			RH	9933189	1
0.386	COVER, GASKET — Camshaft				
	COVER - Front	4 Cyl. Eng.		638602	1
	COVER - Rear	4 Cyl. Eng.		638601	1
	GASKET	4 Cyl. Eng.		638641	2
	BOLT - Cover fixing hex. hd. 6mm x 1 x 12mm	4 Cyl. Eng.		2000118	6
0.413	REINFORCEMENT — Valve rocker cover				
	REINFORCEMENT	4 Cyl. Eng.		607928	6
	REINFORCEMENT	6, 8 Cyl. Eng.		2806691	8-10
0.423	GASKET — Valve rocker cover				
	GASKET	4 Cyl. Eng.		607664	1
	GASKET - Rocker cover	6 Cyl. Eng.		2805794	1
	GASKET	8 Cyl. Eng.		2820930	2

Note: (⁴² Component of 9937365, M37610.

HOLDEN "LH" PARTS CATALOGUE

GROUP	DESCRIPTION	MODEL	SIDE	PART No.	QTY.
0.426	ROD - Valve push				
	ROD	6 Cyl. Eng.		2811932	12
	ROD	8 Cyl. exc. L34 Eng.		7436758	16
	ROD	L34 Eng.		(⁴² 9936514	8
	LOCATOR	L34 Eng.		(⁴² 9933388	8
	PLATE	L34 Eng.		(⁴² 9933393	16
0.429	SCREW, BALL, NUT, PIVOT, BOLT, BEARING - Valve rocker arm				
	SCREW - Rocker arm	4 Cyl. Eng.		640355	8
	BALL UNIT - Rocker arm	4 Cyl. Eng.		640763	8
	NUT - Rocker arm	4 Cyl. Eng.		640380	8
	PIVOT	6 Cyl. Eng.		2811933	6
	PIVOT	8 Cyl. Eng.		7434861	8
	BOLT - Pivot	6, 8 Cyl. exc. L34 Eng.		9423842	12-16
	BEARING & HOUSING	L34 Eng.		9934971	32
	PIVOT	L34 Eng.		9934968	16
	SPACER - Pivot	L34 Eng.		9934969	16
	PLATE - Pivot locating	L34 Eng.		9934970	8
	BEARING - Rocker arm	L34 Eng.		9934972	32
	BOLT - Pivot	L34 Eng.		454864	16
	WASHER - Pivot & arm to cylinder head	L34 Eng.		2808133	16
	STUD ASSY.	L34 Eng.		(⁴² 9937630	16
0.439	COVER - Valve push rod				
	COVER ASSY.	6 Cyl. Eng.		7420124	2
0.443	GASKET - Valve push rod cover				
	GASKET	6 Cyl. Eng.		2805795	2
0.449	BOLT - Valve push rod cover				
	BOLT and SEAL ASSY.	6 Cyl. Eng.		7421877	6
	SEAL	6 Cyl. Eng.		M35821	6
0.459	LIFTER - Valve				
	LIFTER	4 Cyl. Eng.		640046	8
	LIFTER ASSY.	6, 8 Cyl. Eng.		5232765	12-16
	LIFTER ASSY.	L34 Eng.		(⁴² 5232695	16
0.519	CAMSHAFT				
	CAMSHAFT	4 Cyl. Eng.		636151	1
	CAMSHAFT	2250, 2850 Eng.		7420034	1
	CAMSHAFT	3300 Eng.		2818929	1
	CAMSHAFT	4.2 Litre Eng.		7434871	1
	CAMSHAFT	5 Litre exc. L34 Eng.		2825882	1
	CAMSHAFT	L34 Eng.		7434871	1
	CAMSHAFT	L34 Eng.		(⁴² 9937699	1
0.533	BEARING - Camshaft thrust				
	BEARING	6 Cyl. Eng.		7429774	1
0.533	LOCATOR, BOLT - Camshaft				
	LOCATOR	8 Cyl. Eng.		7435250	1
	BOLT	8 Cyl. Eng.		7435107	1
0.536	BEARING SET - Camshaft				
	BEARING SET	6 Cyl. Eng.		7423616	1
	BEARING SET	8 Cyl. Eng.		2811061	1

Note: (⁴² Component of 9937365, M37610.

(⁴² Component of 9937365.

HOLDEN "LH" PARTS CATALOGUE

GROUP	DESCRIPTION	MODEL	SIDE	PART No.	QTY.
0.539	BEARING — Camshaft				
	BEARING - No. 1	4 Cyl. Eng.		636436	1
	BEARING - No. 1A	4 Cyl. Eng.		636437	1
	BEARING - No. 2	4 Cyl. Eng.		636438	1
	BEARING - No. 3	4 Cyl. Eng.		636462	1
0.553	PLUG — Camshaft rear bearing				
	PLUG	6 Cyl. Eng.		3789860	1
	PLUG - Cup 2 $\frac{1}{8}$ "	6 Cyl. Eng.		SP1649	1
	PLUG	8 Cyl. Eng.		SP1975	1
0.603	ROD — Connecting				
	ROD ASSEMBLY	4 Cyl. Eng.		622123	4
	ROD ASSEMBLY	6 Cyl. Eng.		7429519	6
	ROD ASSEMBLY	8 Cyl. exc. L34 Eng.		7435450	8
	ROD ASSEMBLY	L34 Eng.		9935142	8
0.616	BEARING SET, BEARING UNIT — Connecting rod				
	BEARING UNIT - Standard	4 Cyl. Eng.		622711	4
	BEARING UNIT - 0.25mm U/S	4 Cyl. Eng.		622941	4
	BEARING UNIT - 0.5mm U/S	4 Cyl. Eng.		622779	4
	BEARING SET - Standard	6 Cyl. Eng.		7430450	1
	BEARING SET - .001" U/S	6 Cyl. Eng.		7430451	1
	BEARING SET - .002" U/S	6 Cyl. Eng.		7430462	1
	BEARING SET - .010" U/S	6 Cyl. Eng.		7430453	1
	BEARING SET - .020" U/S	6 Cyl. Eng.		7430454	1
	BEARING UNIT - Standard	6 Cyl. Eng.		7430444	6
	BEARING UNIT - .001" U/S	6 Cyl. Eng.		7430445	6
	BEARING UNIT - .002" U/S	6 Cyl. Eng.		7430446	6
	BEARING UNIT - .010" U/S	6 Cyl. Eng.		7430448	6
	BEARING UNIT - .020" U/S	6 Cyl. Eng.		7430449	6
	BEARING SET - Standard	8 Cyl. exc. L34 Eng.		2806399	1
	BEARING SET - .001" U/S	8 Cyl. exc. L34 Eng.		2806400	1
	BEARING SET - .002" U/S	8 Cyl. exc. L34 Eng.		2813373	1
	BEARING SET - .010" U/S	8 Cyl. exc. L34 Eng.		2813379	1
	BEARING SET - .020" U/S	8 Cyl. exc. L34 Eng.		9937902	1
	BEARING UNIT - Standard	8 Cyl. exc. L34 Eng.		2806382	8
	BEARING UNIT - .001" U/S	8 Cyl. exc. L34 Eng.		2806383	8
	BEARING UNIT - .002" U/S	8 Cyl. exc. L34 Eng.		2813372	8
	BEARING UNIT - .010" U/S	8 Cyl. exc. L34 Eng.		2813378	8
	BEARING UNIT - .020" U/S	8 Cyl. exc. L34 Eng.		9937903	8
	BEARING SET - Standard	L34 Eng.		9936523	1
	BEARING SET - .001" U/S	L34 Eng.		9936525	1
	BEARING SET - .002" U/S	L34 Eng.		9936527	1
	BEARING SET - .010" U/S	L34 Eng.		9936530	1
	BEARING UNIT - Standard	L34 Eng.		9936524	8
	BEARING UNIT - .001" U/S	L34 Eng.		9936526	8
	BEARING UNIT - .002" U/S	L34 Eng.		9936528	8
	BEARING UNIT - .010" U/S	L34 Eng.		9936531	8
0.623	BOLT — Connecting rod				
	BOLT	4 Cyl. Eng.		622415	4
	BOLT	6 Cyl. Eng.		7420086	12
	BOLT	8 Cyl. exc. L34 Eng.		7434726	16
	BOLT	L34 Eng.		3862720	16
0.626	NUT — Connecting rod bolt				
	NUT	6 Cyl. Eng.		6255523	12
	NUT	8 Cyl. exc. L34 Eng.		3784834	16
	NUT	L34 Eng.		3866766	16

HOLDEN "LH" PARTS CATALOGUE

GROUP	DESCRIPTION	MODEL	SIDE	PART No.	QTY.
0.629	PISTON and PIN				
	PISTON ASSY. - Standard	4 Cyl. Eng.		623536	4
	PISTON ASSY. - 0.02mm O/S	4 Cyl. Eng.		623537	4
	PISTON ASSY. - 0.04mm O/S	4 Cyl. Eng.		623538	4
	PISTON ASSY. - 0.06mm O/S	4 Cyl. Eng.		623539	4
	PISTON ASSY. - 0.08mm O/S	4 Cyl. Eng.		623540	4
	PISTON ASSY. - 0.10mm O/S	4 Cyl. Eng.		623584	4
	PISTON ASSY. - 0.12mm O/S	4 Cyl. Eng.		623542	4
	PISTON ASSY. - 0.5mm O/S	4 Cyl. Eng.		624158	4
	PISTON & PIN ASSY. - Standard	2250 Eng.		2813401	6
	PISTON & PIN ASSY. - Standard, high limit	2250 Eng.		2813402	6
	PISTON & PIN ASSY. - .001" O/S	2250 Eng.		2813403	6
	PISTON & PIN ASSY. - .002" O/S	2250 Eng.		2813404	6
	PISTON & PIN ASSY. - .020" O/S	2250 Eng.		2813405	6
	PISTON & PIN ASSY. - .030" O/S	2250 Eng.		2813406	6
	PISTON & PIN ASSY. - .040" O/S	2250 Eng.		2813407	6
	PISTON & PIN ASSY. - Standard	2850 Eng. 8.3:1 C.R.		2819526	6
	PISTON & PIN ASSY. - Standard, high limit	2850 Eng. 8.3:1 C.R.		2819527	6
	PISTON & PIN ASSY. - .001" O/S	2850 Eng. 8.3:1 C.R.		2819528	6
	PISTON & PIN ASSY. - .002" O/S	2850 Eng. 8.3:1 C.R.		2819529	6
	PISTON & PIN ASSY. - .020" O/S	2850 Eng. 8.3:1 C.R.		2819530	6
	PISTON & PIN ASSY. - .030" O/S	2850 Eng. 8.3:1 C.R.		2819531	6
	PISTON & PIN ASSY. - .040" O/S	2850 Eng. 8.3:1 C.R.		2819532	6
	PISTON & PIN ASSY. - Standard	2850 Eng. 9.4:1 C.R.		2819519	6
	PISTON & PIN ASSY. - Standard, high limit	2850 Eng. 9.4:1 C.R.		2819520	6
	PISTON & PIN ASSY. - .001" O/S	2850 Eng. 9.4:1 C.R.		2819521	6
	PISTON & PIN ASSY. - .002" O/S	2850 Eng. 9.4:1 C.R.		2819522	6
	PISTON & PIN ASSY. - .020" O/S	2850 Eng. 9.4:1 C.R.		2819523	6
	PISTON & PIN ASSY. - .030" O/S	2850 Eng. 9.4:1 C.R.		2819524	6
	PISTON & PIN ASSY. - .040" O/S	2850 Eng. 9.4:1 C.R.		2819525	6
	PISTON & PIN ASSY. - Standard	3300 Eng. 7.8:1 C.R.		2819512	6
	PISTON & PIN ASSY. - Standard, high limit	3300 Eng. 7.8:1 C.R.		2819513	6
	PISTON & PIN ASSY. - .001" O/S	3300 Eng. 7.8:1 C.R.		2819514	6
	PISTON & PIN ASSY. - .002" O/S	3300 Eng. 7.8:1 C.R.		2819515	6
	PISTON & PIN ASSY. - .020" O/S	3300 Eng. 7.8:1 C.R.		2819516	6
	PISTON & PIN ASSY. - .030" O/S	3300 Eng. 7.8:1 C.R.		2819517	6
	PISTON & PIN ASSY. - .040" O/S	3300 Eng. 7.8:1 C.R.		2819518	6
	PISTON & PIN ASSY. - Standard	3300 Eng. 9.4:1 C.R.		2819505	6
	PISTON & PIN ASSY. - Standard, high limit	3300 Eng. 9.4:1 C.R.		2819506	6
	PISTON & PIN ASSY. - .001" O/S	3300 Eng. 9.4:1 C.R.		2819507	6
	PISTON & PIN ASSY. - .002" O/S	3300 Eng. 9.4:1 C.R.		2819508	6
	PISTON & PIN ASSY. - .020" O/S	3300 Eng. 9.4:1 C.R.		2819509	6
	PISTON & PIN ASSY. - .030" O/S	3300 Eng. 9.4:1 C.R.		2819510	6
	PISTON & PIN ASSY. - .040" O/S	3300 Eng. 9.4:1 C.R.		2819511	6
	PISTON & PIN ASSY. - Standard	4.2 Litre Eng.		2811402	8
	PISTON & PIN ASSY. - Standard, high limit	4.2 Litre Eng.		2811403	8
	PISTON & PIN ASSY. - .001" O/S	4.2 Litre Eng.		2812347	8
	PISTON & PIN ASSY. - .002" O/S	4.2 Litre Eng.		2812348	8
	PISTON & PIN ASSY. - .020" O/S	4.2 Litre Eng.		2811404	8
	PISTON & PIN ASSY. - .030" O/S	4.2 Litre Eng.		2811405	8
	PISTON & PIN ASSY. - Standard	5 Litre exc. L34 Eng.		(²² 2811407	8
	PISTON & PIN ASSY. - Standard, high limit	5 Litre exc. L34 Eng.		(²² 2811408	8
	PISTON & PIN ASSY. - .001" O/S	5 Litre exc. L34 Eng.		(²² 2812351	8
	PISTON & PIN ASSY. - .002" O/S	5 Litre exc. L34 Eng.		(²² 2812352	8
	PISTON & PIN ASSY. - .020" O/S	5 Litre exc. L34 Eng.		(²² 2811409	8
	PISTON & PIN ASSY. - .030" O/S	5 Litre exc. L34 Eng.		(²² 2811410	8
	PISTON & PIN ASSY. - Standard	5 Litre exc. L34 Eng.		(²³ 9937221	8
	PISTON & PIN ASSY. - Standard, high limit	5 Litre exc. L34 Eng.		(²³ 9937223	8
	PISTON & PIN ASSY. - .001" O/S	5 Litre exc. L34 Eng.		(²³ 9937225	8
	PISTON & PIN ASSY. - .002" O/S	5 Litre exc. L34 Eng.		(²³ 9937227	8
	PISTON & PIN ASSY. - .020" O/S	5 Litre exc. L34 Eng.		(²³ 9937229	8
	PISTON & PIN ASSY. - .030" O/S	5 Litre exc. L34 Eng.		(²³ 9937231	8
	PISTON & PIN ASSY. - Standard	L34 Eng.		9936570	8

Note: (²² Up to engine No. HT24412

(²³ From engine No. HT24413

HOLDEN "LH" PARTS CATALOGUE

GROUP	DESCRIPTION	MODEL	SIDE	PART No.	QTY.
0.629	PISTON and PIN (contd.)				
	PISTON & PIN ASSY. - Standard, high limit	L34 Eng.		9936571	8
	PISTON & PIN ASSY. - .001" O/S	L34 Eng.		9936572	8
	PISTON & PIN ASSY. - .002" O/S	L34 Eng.		9936573	8
	PISTON & PIN ASSY. - .020" O/S	L34 Eng.		9936574	8
	PISTON & PIN ASSY. - .030" O/S	L34 Eng.		9936575	8
0.636	PIN — Piston				
	PIN	6 Cyl. Eng.		7421214	6
	PIN	4.2 Litre Eng.		7434728	8
	PIN	5 Litre Eng.		7435617	8
	PIN	L34 Eng.		(⁶² M37561	8
0.643	RING SET — Piston				
	RING SET - Standard	4 Cyl. Eng.		M37365	1
	RING SET - Standard, high limit	4 Cyl. Eng.		M37366	1
	RING SET - 0.5mm O/S	4 Cyl. Eng.		M37367	1
	RING SET - Standard	2250 Eng.		2822025	1
	RING SET - .020" O/S	2250 Eng.		2822026	1
	RING SET - .030" O/S	2250 Eng.		2822027	1
	RING SET - .040" O/S	2250 Eng.		2822028	1
	RING SET - Standard	2850 Eng.		2819098	1
	RING SET - .020" O/S	2850 Eng.		2819099	1
	RING SET - .030" O/S	2850 Eng.		2819100	1
	RING SET - .040" O/S	2850 Eng.		2819101	1
	RING SET - Standard	3300 Eng.		2819696	1
	RING SET - .020" O/S	3300 Eng.		2819697	1
	RING SET - .030" O/S	3300 Eng.		2819698	1
	RING SET - .040" O/S	3300 Eng.		2819699	1
	RING SET - Standard	4.2 Litre Eng.		2811532	1
	RING SET - .020" O/S	4.2 Litre Eng.		2811536	1
	RING SET - .030" O/S	4.2 Litre Eng.		2811537	1
	RING SET - Standard	5 Litre Eng.		2811531	1
	RING SET - .020" O/S	5 Litre Eng.		2811533	1
	RING SET - .030" O/S	5 Litre Eng.		2811534	1
0.646	CRANKSHAFT				
	CRANKSHAFT ASSY.	4 Cyl. Eng.		614030	1
	CRANKSHAFT ASSY.	(M) 2250, 2850 Eng.		(¹⁴ 7434301	1
	CRANKSHAFT ASSY. - (Rope type seal)	(M) 2250, 2850 Eng.		(²⁴ 9932828	1
	CRANKSHAFT ASSY. - (Rope type seal)	(M) 2250, 2850 Eng.		(²⁵ 9935269	1
	CRANKSHAFT ASSY.	(A) 2250, 2850 Eng.		(¹⁴ 7431327	1
	CRANKSHAFT ASSY. - (Rope type seal)	(A) 2250, 2850 Eng.		(²⁴ 9932824	1
	CRANKSHAFT ASSY. - (Rope type seal)	(A) 2250, 2850 Eng.		(²⁵ 9935272	1
	CRANKSHAFT ASSY.	(M) 3300 Eng.		(¹⁴ 2811354	1
	CRANKSHAFT ASSY.	(M) 3300 Eng.		(¹⁵ 9932837	1
	CRANKSHAFT ASSY.	(A) 3300 Eng.		(¹⁴ 2811370	1
	CRANKSHAFT ASSY.	(A) 3300 Eng.		(¹⁶ 9932833	1
	CRANKSHAFT ASSY. - (Neoprene seal)	4.2 Litre Eng.		(¹⁶ 7435606	1
	CRANKSHAFT ASSY. - (Rope type seal)	4.2 Litre Eng.		(¹⁶ 9932845	1
	CRANKSHAFT ASSY.	5 Litre Eng.		(¹⁴ 7439898	1
	CRANKSHAFT ASSY.	5 Litre exc. L34 Eng.		(¹⁵ 9932843	1
0.649	BEARING, BUSHING — Crankshaft clutch pilot				
	BEARING	(M) 4 Cyl. Eng.		614700	1
	BUSHING - 1 mm O/S	(M) 4 Cyl. Eng.		614731	1
	BEARING	(M) 6, 8 Cyl. Eng.		412562	1
Note:	<p>(¹⁴ Remove clutch pilot bearing on vehicles fitted with automatic transmission. (¹⁴ Use with neoprene crankshaft bearing oil seal. (¹⁵ Use with rope type crankshaft bearing oil seal. (²⁴ Crankshaft journal size 2.197" - 2.198" (1st type) 6 Cyl. (²⁵ Crankshaft journal size 2.497" - 2.498" (2nd type) 6 Cyl. (⁶² Component of 9937365.</p>				

HOLDEN "LH" PARTS CATALOGUE

GROUP	DESCRIPTION	MODEL	SIDE	PART No.	QTY.
0.649	SLEEVE — Crankshaft converter pilot				
	SLEEVE	(A) 6 Cyl. Eng.		7420798	1
0.659	PULLEY, DAMPER — Crankshaft				
	PULLEY ASSY.	4 Cyl. Eng.		614653	1
	WASHER - Thrust	4 Cyl. Eng.		614663	1
	BOLT - Thrust washer to pulley, hex. hd. 12 mm x 1.5 x 35 mm	4 Cyl. Eng. exc. Air Cond.		2000610	1
	KEY - Pulley to crankshaft, 6 mm x 9 mm	4 Cyl. Eng.		614841	2
	PULLEY - Air conditioner drive	4 Cyl. Eng. Air Cond.		9937788	1
	KEY - Air conditioner drive pulley	4 Cyl. Eng. Air Cond.		9936982	1
	BOLT - Hex. hd. 12 mm x 1.5 x 50 mm	4 Cyl. Eng. Air Cond.		11078481	1
	DAMPER ASSY.	6 Cyl. Eng.		7434224	1
	DAMPER ASSY.	8 Cyl. exc. L34 Eng.		7435458	1
	DAMPER ASSY.	L34 Eng.		9937701	1
	PULLEY ASSY.	6 Cyl. Eng. Air Cond.		2815587	1
	PULLEY ASSY.	8 Cyl. Eng. exc. Air Cond.		2813531	1
	PULLEY ASSY.	8 Cyl. Eng. Air Cond.		9931584	1
	WASHER - Damper to crankshaft	8 Cyl. exc. L34 Eng.		7435295	1
	PLATE - Damper retaining	L34 Eng.		9935223	1
	WASHER - Plate to damper assembly	L34 Eng.		SP1445	4
	BOLT - Pulley to crankshaft	L34 Eng.		SP2569	4
0.666	FLYWHEEL and RING GEAR				
	FLYWHEEL & RING GEAR ASSY.	(M) 4 Cyl. Eng.		616042	1
	FLYWHEEL & RING GEAR ASSY.	(A) 4 Cyl. Eng.		616057	1
	PLATE - Ignition timing	4 Cyl. Eng.		616800	1
	NAIL - Grooved	4 Cyl. Eng.		2086327	1
	FLYWHEEL & RING GEAR ASSY.	(M) 6 Cyl. Eng.		7420114	1
	FLYWHEEL & RING GEAR ASSY.	(A) 6 Cyl. Eng.		7420311	1
	FLYWHEEL & RING GEAR ASSY.	(M) 8 Cyl. exc. L34 Eng.		7434800	1
	FLYWHEEL & RING GEAR ASSY.	(A) 8 Cyl. Eng.		7437372	1
	FLYWHEEL & RING GEAR ASSY.	L34 Eng.		9934573	1
0.669	BOLT, RING — Flywheel to crankshaft				
	BOLT	4 Cyl. Eng.		616239	1
	BOLT - Hex. hd.	4 Cyl. Eng.		616240	5
	RING - Centre	4 Cyl. Eng.		616522	1
	BOLT	(M) 6 Cyl. Eng.		7420118	6
	BOLT	(A) 6 Cyl. Eng.		7420312	6
	BOLT	(M) 8 Cyl. Eng.		7434739	6
	BOLT	(A) 8 Cyl. Eng.		7434778	6
0.673	GEAR — Flywheel ring				
	GEAR	4 Cyl. Eng.		616183	1
	GEAR	(M) 6 Cyl. Eng.		7431533	1
	GEAR	8 Cyl. Eng.		2812461	1
0.679	COVER — Clutch and transmission case, converter housing				
	COVER - Front	(M) 4 Cyl. Eng.		⁽²⁾ 9929740	1
	COVER - Front	(M) 4 Cyl. Eng.		⁽²⁾ 670177	1
	BOLT - Cover to clutch housing, Hex. hd. $\frac{3}{16}$ - 18 x $\frac{1}{2}$ "	(M) 4 Cyl. Eng.		⁽²⁾ 120834	2
	BOLT - Cover to clutch housing, Hex. hd. 8mm x 1.25 x 12mm	(M) 4 Cyl. Eng.		⁽²⁾ 2018100	2
	COVER - Front	(A) 4 Cyl. Eng.		670177	1
	BOLT - Cover to converter housing, hex. hd. 8mm x 1.25mm x 12mm	(A) 4 Cyl. Eng.		2018100	2
	BOLT - Cover to converter housing, hex. hd. 8mm x 1.25mm x 22mm	(A) 4 Cyl. Eng.		2008151	4
	COVER ASSY. - Clutch, upper	(M) 6 Cyl. Eng.		7420128	1
	COVER ASSY. - Clutch, lower	(M) 6 Cyl. Eng.		7430096	1
	Note: ⁽²⁾ Use with 1st type transmission. ⁽³⁾ Use with 2nd type transmission.				

HOLDEN "LH" PARTS CATALOGUE

GROUP	DESCRIPTION	MODEL	SIDE	PART No.	QTY.
0.679	COVER — Clutch and transmission case, converter housing (contd.)				
	COVER ASSY. - Converter, upper	(A) 6 Cyl. Eng.		7420128	1
	COVER ASSY. - Converter, lower	(A) 6 Cyl. Eng.		7439693	1
	COVER - Lower	8 Cyl. Eng.		7437069	1
0.683	HOUSING — Clutch, converter				
	HOUSING - Clutch	(M) 4 Cyl. Eng.		⁽³²⁾ 9929290	1
	HOUSING - Clutch	(M) 4 Cyl. Eng.		⁽³³⁾ 9299655	1
	BOLT - Housing to cylinder block, hex. hd. 10 mm x 1.5 x 25 mm	(M) 4 Cyl. Eng.		2000418	1
	BOLT - Housing to cylinder block, hex. hd. 10mm x 1.5mm x 35mm	(M) 4 Cyl. Eng.		2000498	5
	WASHER - Housing to cylinder block, spring	(M) 4 Cyl. Eng.		2074176	6
	BRACKET - Housing to cylinder block	(M) 4 Cyl. Eng.	LH	⁽³²⁾ 9929739	1
			RH	⁽³²⁾ 662503	1
	BRACKET - Housing to cylinder block	(M) 4 Cyl. Eng.	LH	⁽³³⁾ 662501	1
			RH	⁽³³⁾ 662500	1
	BOLT - Bracket to cylinder block, hex. hd. 8 mm x 1.25 x 18 mm	(M) 4 Cyl. Eng.		2008153	2
	BOLT - Bracket to cylinder block, hex. hd. 10 mm x 1.5 x 18 mm	(M) 4 Cyl. Eng.		2008227	2
	BOLT - Bracket to cylinder block, hex. hd. 10 mm x 1.5 x 22 mm	(M) 4 Cyl. Eng.		2010201	1
	PIN - Dowel 10 mm x 20 mm	(M) 4 Cyl. Eng.		2086216	2
	HOUSING - Converter	(A) 4 Cyl. Eng.		705037	1
	SEAL - Housing	(A) 4 Cyl. Eng.		705750	1
	SEAL - Housing dust	(A) 4 Cyl. Eng.		8625571	1
	BUSHING - Housing	(A) 4 Cyl. Eng.		5258125	1
	BOLT - Converter housing to oil pump, hex. hd. flanged $\frac{5}{16}$ " - 18 x 1 $\frac{1}{2}$ "	(A) 4 Cyl. Eng.		9423842	5
	BOLT - Oil pump and converter housing to cylinder block, hex. hd. flanged $\frac{5}{16}$ " - 18 x 1 $\frac{1}{2}$ "	(A) 4 Cyl. Eng.		9427182	7
	HOUSING - Clutch	(M) 6 Cyl. Eng. 3 speed trans.			
			RIGHT HAND DRIVE	7435393	1
			LEFT HAND DRIVE	7448575	1
	HOUSING - Clutch	(M) 6 Cyl. Eng. 4 Speed Trans.		7435393	1
	PIN - Dowel	(M) 6 Cyl. Eng.		7401304	2
	PIN - Dowel - Oversize	(M) 6 Cyl. Eng.		7406004	2
	HOUSING - Converter	(A) 6 Cyl. Eng.		5258275	1
	SEAL - Housing	(A) 6 Cyl. Eng.		8625571	1
	BUSHING - Housing	(A) 6 Cyl. Eng.		2814738	1
	BOLT - Converter housing to oil pump hex. hd. flanged $\frac{5}{16}$ " - 18 x 1 $\frac{1}{2}$ "	(A) 6 Cyl. Eng.		9423842	5
	BOLT - Oil pump and converter housing to cylinder block, hex. hd. flanged $\frac{5}{16}$ " - 18 x 1 $\frac{1}{2}$ "	(A) 6 Cyl. Eng.		9427182	7
	HOUSING - Clutch	(M) 8 Cyl. Eng.		2817149	1
	PIN - Housing to cylinder block	(M) 8 Cyl. Eng.		7435646	2
	HOUSING - Converter	(A) 8 Cyl. Eng.		5258276	1
	SEAL - Housing	(A) 8 Cyl. Eng.		8625571	1
	BUSHING - Housing	(A) 8 Cyl. Eng.		2814738	1
	BOLT - Converter housing to oil pump, hex. hd. flanged $\frac{5}{16}$ " - 18 x 1 $\frac{1}{2}$ "	(A) 8 Cyl. Eng.		9423842	5
	BOLT - Oil pump and converter housing to cylinder block, hex. hd. flanged $\frac{5}{16}$ " - 18 x 1 $\frac{1}{2}$ "	(A) 8 Cyl. Eng.		9427182	7
	PIN - Housing locating	(A) 8 Cyl. Eng.		7435646	2

Note: ⁽³²⁾ Use with 1st type transmission.
⁽³³⁾ Use with 2nd type transmission.

HOLDEN "LH" PARTS CATALOGUE

GROUP	DESCRIPTION	MODEL	SIDE	PART No.	QTY.
0.724	CHAIN — Camshaft timing				
	CHAIN	4 Cyl. Eng.		636353	1
	GUIDE - Chain	4 Cyl. Eng.		636810	1
	BOLT - Chain guide, hex. hd. with spring washer 6 mm x 1 x 12 mm	4 Cyl. Eng.		2018051	2
	CHAIN - (Dual row type)	8 Cyl. Eng.		7434733	1
	CHAIN - (Single row type)	8 Cyl. Eng.		9933435	1
0.726	TENSIONER — Timing chain				
	TENSIONER ASSY.	4 Cyl. Eng.		636377	1
	ARM - Tensioner	4 Cyl. Eng.		636700	1
	RAIL - Slide	4 Cyl. Eng.		636801	1
	BOLT - Arm and slide rail	4 Cyl. Eng.		636775	3
	RING - Snap, 7 mm inside diameter	4 Cyl. Eng.		2076500	3
	RING - Tensioner housing sealing	4 Cyl. Eng.		636835	1
0.726	DAMPER — Timing chain				
	DAMPER ASSY.	8 Cyl. Eng.		(¹⁸ 7436226	1
	SCREW & WASHER ASSY.	8 Cyl. Eng.		(¹⁸ SP2219	2
0.728	GEAR, SPROCKET — Crankshaft				
	GEAR	4 Cyl. Eng.		614475	1
	GEAR	6 Cyl. Eng.		7420025	1
	SPROCKET	8 Cyl. Eng.		7434759	1
	KEY - Woodruff $\frac{3}{16}$ " x $2\frac{1}{8}$ "	8 Cyl. Eng.		144542	1
0.730	PIN — Camshaft gear				
	PIN - 8 mm x 10 mm	4 Cyl. Eng.		2086206	1
0.732	KIT — Camshaft timing				
	KIT	4 Cyl. Eng.		1606310	1
0.732	SUPPORT — Camshaft gear				
	SUPPORT	4 Cyl. Eng.		636850	1
	SCREW - Fillister head 8 mm x 1.25 x 20 mm	4 Cyl. Eng.		2048101	3
0.736	GEAR KIT, GEAR, SPROCKET — Camshaft SCREW — Camshaft stop				
	SCREW	4 Cyl. Eng.		636655	1
	GEAR KIT	6 Cyl. Eng.		7431746	1
	GEAR	6 Cyl. Eng.		7430922	1
	SPROCKET	4.2 Litre Eng.		7434699	1
	SPROCKET	5 Litre Eng.		(²² 2808386	1
	SPROCKET	5 Litre Eng.		(²³ 7434699	1
	BOLT - Eccentric & sprocket to camshaft	8 Cyl. Eng.		7434757	1
	PIN - Dowel $\frac{1}{4}$ " x $1\frac{1}{8}$ "	8 Cyl. Eng.		141202	1
0.738	RING — Camshaft gear spacing				
	RING	6 Cyl. Eng.		7420026	1
0.748	NOZZLE — Timing gear oil				
	NOZZLE	6 Cyl. Eng.		7427418	1
	NOZZLE	8 Cyl. Eng.		7437269	1

Note: (¹⁸ Not used with single row timing chain.
(²² Up to engine No. HT24412
(²³ From engine No. HT24413

HOLDEN "LH" PARTS CATALOGUE

GROUP	DESCRIPTION	MODEL	SIDE	PART No.	QTY.
0.787	CABLE, INSULATOR, CLIP — Clutch control				
	CABLE ASSY.	(M) 4 Cyl. Eng.		9930430	1
	CLIP - Cable to thermo. housing	(M) 4 Cyl. Eng.		9933269	1
	CIRCLIP - Insulator retainer	(M) 4 Cyl. Eng.		SP2203	1
	CLEVIS	(M) 4 Cyl. Eng.		9933246	1
	PIN - Clevis to pedal	(M) 4 Cyl. Eng.		SP1756	1
	CLIP - Clevis pin	(M) 4 Cyl. Eng.		3749084	1
	GROMMET - Cable to fork	(M) 4 Cyl. Eng.		669404	1
	INSULATOR - Cable to dash outer	(M) 4 Cyl. Eng.		2820439	1
	CABLE ASSY.	(M) 8 Cyl. Eng.	RIGHT HAND DRIVE	9932921	1
	CLEVIS	(M) 8 Cyl. Eng.	RIGHT HAND DRIVE	9933246	1
	PIN - Clevis to pedal	(M) 8 Cyl. Eng.	RIGHT HAND DRIVE	SP1756	1
	CLEVIS - Lever to cable	(M) 8 Cyl. Eng.	RIGHT HAND DRIVE	9932922	1
	PIN - Clevis to lever	(M) 8 Cyl. Eng.	RIGHT HAND DRIVE	SP1450	1
0.795	FORK — Clutch				
	FORK ASSY.	(M) 4 Cyl. Eng.		668170	1
	FORK ASSY.	(M) 6 Cyl. Eng.		2824887	1
	FORK ASSY.	(M) 8 Cyl. Eng.		2829904	1
0.796	STUD — Clutch fork ball				
	STUD	(M) 4 Cyl. Eng.		⁽²⁾ 9928993	1
	STUD	(M) 4 Cyl. Eng.		9933246	1
	NUT - Stud	(M) 4 Cyl. Eng.		2064402	1
	SPRING - Stud	(M) 4 Cyl. Eng.		668277	1
	RIVET - Stud spring	(M) 4 Cyl. Eng.		2084005	1
	STUD	(M) 6 Cyl. Eng.		7433895	1
	STUD	(M) 8 Cyl. Eng.		7430099	1
0.797	BOOT — Clutch fork				
	BOOT	(M) 4 Cyl. Eng.		668257	1
0.797	PLATE — Clutch fork				
	PLATE - Guide	(M) 6 Cyl. Eng.	RIGHT HAND DRIVE	7433793	1
	PLATE - Sliding	(M) 6 Cyl. Eng.	RIGHT HAND DRIVE	7433794	1
	PLATE - Guide	(M) 6 Cyl. Eng.	4 Speed Trans. LEFT HAND DRIVE	7433793	1
	PLATE - Sliding	(M) 6 Cyl. Eng.	4 Speed Trans. LEFT HAND DRIVE	7433794	1
	PLATE - Guide	(M) 8 Cyl. Eng.		7437138	1
	PLATE - Sliding	(M) 8 Cyl. Eng.		7437137	1
0.798	SPRING — Clutch fork sliding plate retaining				
	SPRING	(M) 6 Cyl. Eng.	RIGHT HAND DRIVE	7433896	1
	SPRING	(M) 6 Cyl. Eng.	4 Speed Trans. LEFT HAND DRIVE	7433896	1
	SPRING	(M) 8 Cyl. Eng.		7409160	1
0.799	BEARING — Clutch throwout				
	BEARING ASSY.	(M) 4 Cyl. Eng.		668635	1
	BEARING ASSY.	(M) 6, 8 Cyl. Eng.		CT22	1
0.830	PEDAL ASSEMBLY, PAD, BUMPER — Clutch				
	PEDAL ASSY.	(M) 4 Cyl. Eng.		9930427	1
	PEDAL ASSY.	(M) 6 Cyl. Eng.	RIGHT HAND DRIVE	2823985	1
	PEDAL ASSY.	(M) 8 Cyl. Eng.	RIGHT HAND DRIVE	9932923	1
	PEDAL ASSY.	(M)	LEFT HAND DRIVE	2825636	1

Note: ⁽²⁾ Use with 1st type transmission.
⁽³⁾ Use with 2nd type transmission.

HOLDEN "LH" PARTS CATALOGUE

GROUP	DESCRIPTION	MODEL	SIDE	PART No.	QTY.
0.830	PEDAL ASSEMBLY, PAD, BUMPER — Clutch (contd.)				
	PAD - Clutch pedal	(M)		2823651	1
	BUMPER - Clutch pedal	(M) 6, 8 Cyl. Eng.		2816796	1
	ECCENTRIC ASSY. - Clutch pedal bumper	(M) 6, 8 Cyl. Eng.	RIGHT HAND DRIVE	2816766	1
			LEFT HAND DRIVE	2825646	1
0.831	BUSHING, SPACER — Clutch pedal				
	BUSHING	(M)		3798256	2
	SPACER - Pivot	(M)	RIGHT HAND DRIVE	2824213	1
0.833	BRACKET — Clutch pedal				
	BRACKET - Pedal support	(M)	LEFT HAND DRIVE	2825642	1
0.837	SHAFT, BOLT — Clutch pedal				
	SHAFT - Pedal pivot	(M)	LEFT HAND DRIVE	2825645	1
	BOLT - Clutch pedal retaining	(M)	LEFT HAND DRIVE	180171	1
	BOLT - Pedal retaining, hex. hd. 1/2" - 13 x 5 3/4"	(M)	RIGHT HAND DRIVE	215723	1
	NUT - Pedal bolt	(M)	RIGHT HAND DRIVE	SP2561	1
0.839	ROD — Clutch lever				
	ROD - Push	(M) 6 Cyl. Eng.	RIGHT HAND DRIVE	2816851	1
	ROD - Push	(M) 8 Cyl. Eng.	RIGHT HAND DRIVE	9932919	1
	NUT - Adjusting	(M) 8 Cyl. Eng.	RIGHT HAND DRIVE	7429390	1
	WASHER - Push rod spacer	(M) 8 Cyl. Eng.	RIGHT HAND DRIVE	SP1766	2
	ROD - Push	(M)	LEFT HAND DRIVE	7409949	1
	NUT - Adjusting	(M)	LEFT HAND DRIVE	7409950	1
	ROD - Pull	(M) 6 Cyl. Eng.	RIGHT HAND DRIVE	2823632	1
0.844	SPRING — Clutch return				
	SPRING - Clutch fork retaining	(M) 6, 8 Cyl. Eng.		7428552	1
	SPRING - Clutch lever return	(M) 6 Cyl. Eng.	RIGHT HAND DRIVE	7437128	1
	SPRING - Clutch fork return	(M) 6 Cyl. Eng.	LEFT HAND DRIVE	2825651	1
	SPRING - Clutch fork return	(M) 8 Cyl. Eng.	RIGHT HAND DRIVE	2829906	1
			LEFT HAND DRIVE	9930867	1
	SPRING - Clutch pedal return	(M)	RIGHT HAND DRIVE	2824059	1
			LEFT HAND DRIVE	674880	1
0.846	BRACKET — Clutch fork return spring				
	BRACKET	(M) 6, 8 Cyl. Eng.	LEFT HAND DRIVE	2825650	1
0.852	LEVER & STRUT, LEVER & PIN, STRUT — Clutch relay				
	LEVER & STRUT ASSY.	(M) 6 Cyl. Eng.	RIGHT HAND DRIVE	2823619	1
	LEVER & PIN ASSY.	(M) 6 Cyl. Eng.	RIGHT HAND DRIVE	LH 2820241	1
			RH	2820240	1
	LEVER	(M) 8 Cyl. Eng.	RIGHT HAND DRIVE	9932917	2
	BRACKET	(M) 8 Cyl. Eng.	RIGHT HAND DRIVE	9938377	2
	BUSHING - Lever pivot	(M) 6, 8 Cyl. Eng.	RIGHT HAND DRIVE	2815381	1
	SPACER - Pivot bush	(M) 8 Cyl. Eng.	RIGHT HAND DRIVE	9932918	1
	PIN - Lever pivot	(M) 6 Cyl. Eng.	RIGHT HAND DRIVE	SP2238	1
	RETAINER - Lever pin	(M) 6, 8 Cyl. Eng.	RIGHT HAND DRIVE	2820067	1
	WASHER - Lever thrust	(M) 6, 8 Cyl. Eng.	RIGHT HAND DRIVE	2816690	2
	CLIP - Lever spacer	(M) 6 Cyl. Eng.	RIGHT HAND DRIVE	2816032	1
	STRUT ASSY. - Lever	(M) 6 Cyl. Eng.	RIGHT HAND DRIVE	2824120	1
	BRACKET - Strut to dash	(M) 6 Cyl. Eng.	RIGHT HAND DRIVE	2824021	1
	PLATE - Strut insulator upper	(M) 6 Cyl. Eng.	RIGHT HAND DRIVE	7437489	1
	INSULATOR - Strut	(M) 6 Cyl. Eng.	RIGHT HAND DRIVE	7437284	2
	PLATE - Strut insulator lower	(M) 6 Cyl. Eng.	RIGHT HAND DRIVE	2820063	1
	BRACE ASSY. - Clutch lever	(M) 6 Cyl. Eng.	RIGHT HAND DRIVE	2823607	1
	PIN - Brace to strut	(M) 6 Cyl. Eng.	RIGHT HAND DRIVE	SP2239	1
	CLIP - Clutch lever brace	(M) 6 Cyl. Eng.	RIGHT HAND DRIVE	3749084	2
	BRACKET ASSY. - Clutch brace	(M) 6 Cyl. Eng.	RIGHT HAND DRIVE	2817021	1

HOLDEN "LH" PARTS CATALOGUE

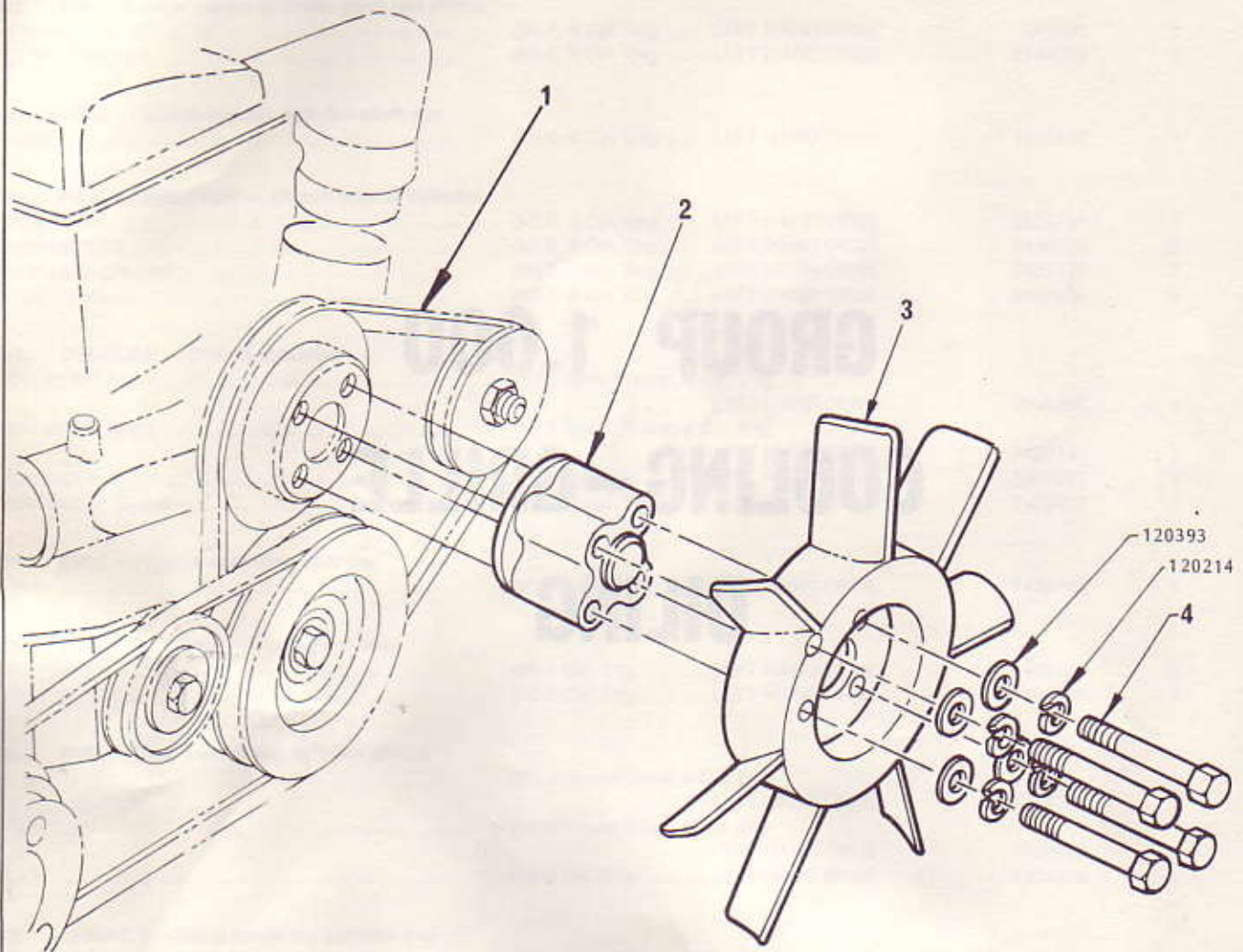
GROUP	DESCRIPTION	MODEL	SIDE	PART No.	QTY.
0.861	COVER and PRESSURE PLATE — Clutch				
	COVER & PRESSURE PLATE ASSY. - (Includes diaphragm spring)	(M) 4 Cyl. Eng.		666034	1
	COVER & PRESSURE PLATE ASSY. - (Includes diaphragm spring)	(M) 6 Cyl. Eng.		2811214	1
	COVER & PRESSURE PLATE ASSY. - (Includes diaphragm spring)	(M) 4.2 Litre Eng.		7436634	1
	COVER & PRESSURE PLATE ASSY. - (Includes diaphragm spring)	(M) 5 Litre Eng.		7436633	1
0.870	BOLT — Clutch to flywheel				
	BOLT - Hex. hd. 8 mm x 1.25 x 24 mm	(M) 4 Cyl. Eng.		2000213	4
	WASHER - Lock 8.2 mm	(M) 4 Cyl. Eng.		2074152	4
	BOLT	(M) 6, 8 Cyl. Eng.		7402029	4-6
0.886	PLATE — Clutch driven				
	PLATE ASSY.	(M) 4 Cyl. Eng.		9929738	1
	PLATE ASSY.	(M) 6 Cyl. Eng.		2825487	1
	PLATE ASSY.	(M) 4.2 Litre Eng.		7436630	1
	PLATE ASSY.	(M) 5 Litre Eng.		7436629	1
0.902	CYLINDER, BODY, REPAIR KIT — Clutch master cylinder				
	CYLINDER ASSY.	(M) 6, 8 Cyl. Eng.	LEFT HAND DRIVE	7433520	1
	BODY	(M) 6, 8 Cyl. Eng.	LEFT HAND DRIVE	7433521	1
	REPAIR KIT - With piston	(M) 6, 8 Cyl. Eng.	LEFT HAND DRIVE	7436183	1
	REPAIR KIT - Less piston	(M) 6, 8 Cyl. Eng.	LEFT HAND DRIVE	7436184	1
0.903	SPACER — Clutch master cylinder				
	SPACER - Mounting	(M) 6, 8 Cyl. Eng.	LEFT HAND DRIVE	2825648	1
0.904	SEAL — Reservoir to clutch master cylinder				
	SEAL	(M) 6, 8 Cyl. Eng.	LEFT HAND DRIVE	7429828	1
0.906	RESERVOIR — Clutch master cylinder				
	RESERVOIR	(M) 6, 8 Cyl. Eng.	LEFT HAND DRIVE	7436154	1
0.907	CAP — Clutch master cylinder reservoir				
	CAP	(M) 6, 8 Cyl. Eng.	LEFT HAND DRIVE	7426554	1
0.910	PISTON — Clutch master cylinder				
	PISTON	(M) 6, 8 Cyl. Eng.	LEFT HAND DRIVE	7409929	1
0.911	CUP — Clutch master cylinder piston				
	CUP	(M) 6, 8 Cyl. Eng.	LEFT HAND DRIVE	7404734	1
0.912	CUP — Clutch master cylinder piston secondary				
	CUP	(M) 6, 8 Cyl. Eng.	LEFT HAND DRIVE	7404736	1
0.913	SPRING — Clutch master cylinder				
	SPRING ASSY.	(M) 6, 8 Cyl. Eng.	LEFT HAND DRIVE	7400663	1
0.914	RING — Clutch master cylinder lock				
	RING	(M) 6, 8 Cyl. Eng.	LEFT HAND DRIVE	7400673	1
0.918	ROD — Clutch master cylinder push				
	ROD	(M) 6, 8 Cyl. Eng.	LEFT HAND DRIVE	2825647	1

HOLDEN "LH" PARTS CATALOGUE

GROUP	DESCRIPTION	MODEL	SIDE	PART No.	QTY.
0.920	CLEVIS — Clutch master cylinder push rod				
	CLEVIS	(M) 6, 8 Cyl. Eng.	LEFT HAND DRIVE	7415761	1
0.921	PIN — Clutch master cylinder push rod clevis				
	PIN - Clevis, .375" x .92"	(M) 6, 8 Cyl. Eng.	LEFT HAND DRIVE	SP1825	1
	CLIP - Clevis pin	(M) 6, 8 Cyl. Eng.	LEFT HAND DRIVE	3749084	1
0.924	SEAL — Clutch master cylinder push rod				
	SEAL	(M) 6, 8 Cyl. Eng.	LEFT HAND DRIVE	7433522	1
0.929	PIPE, CONNECTOR — Clutch master cylinder				
	PIPE ASSY.	(M) 6, 8 Cyl. Eng.	LEFT HAND DRIVE	2825731	1
	CONNECTOR - Pipe	(M) 6, 8 Cyl. Eng.	LEFT HAND DRIVE	7410766	2
	WASHER - Special	(M) 6, 8 Cyl. Eng.	LEFT HAND DRIVE	7401727	2
	CLIP - Pipe	(M) 6, 8 Cyl. Eng.	LEFT HAND DRIVE	9930835	1
0.934	CYLINDER — Clutch actuating				
	CYLINDER ASSY.	(M) 3 Speed Trans. 6 Cyl. Eng. LEFT HAND DRIVE		2805297	1
	CYLINDER ASSY.	(M) 4 Speed Trans. 6 Cyl. Eng. LEFT HAND DRIVE		7429741	1
	CYLINDER ASSY.	(M) 8 Cyl. Eng.	LEFT HAND DRIVE	2805297	1
	BRACKET - Cylinder	(M) 6, 8 Cyl. Eng.	LEFT HAND DRIVE	7429637	1
0.935	SEAL — Clutch actuating cylinder				
	SEAL	(M) 6, 8 Cyl. Eng.	LEFT HAND DRIVE	7409965	1
0.936	PISTON — Clutch actuating cylinder				
	PISTON	(M) 6 Cyl. Eng.	LEFT HAND DRIVE	1409125	1
	PISTON	(M) 8 Cyl. Eng.	LEFT HAND DRIVE	7409966	1
0.937	CUP — Clutch actuating cylinder piston				
	CUP	(M) 3 Speed Trans. 6 Cyl. Eng. LEFT HAND DRIVE		7404726	1
	CUP	(M) 4 Speed Trans. 6 Cyl. Eng. LEFT HAND DRIVE		7409968	1
	CUP	(M) 8 Cyl. Eng.	LEFT HAND DRIVE	7404726	1
0.938	SPRING — Clutch actuating cylinder cup				
	SPRING	(M) 3 Speed Trans. 6 Cyl. Eng. LEFT HAND DRIVE		7420746	1
	SPRING	(M) 8 Cyl. Eng.	LEFT HAND DRIVE	7420746	1
0.940	VALVE — Clutch actuating cylinder bleeder				
	VALVE	(M) 6, 8 Cyl. Eng.	LEFT HAND DRIVE	7400169	1

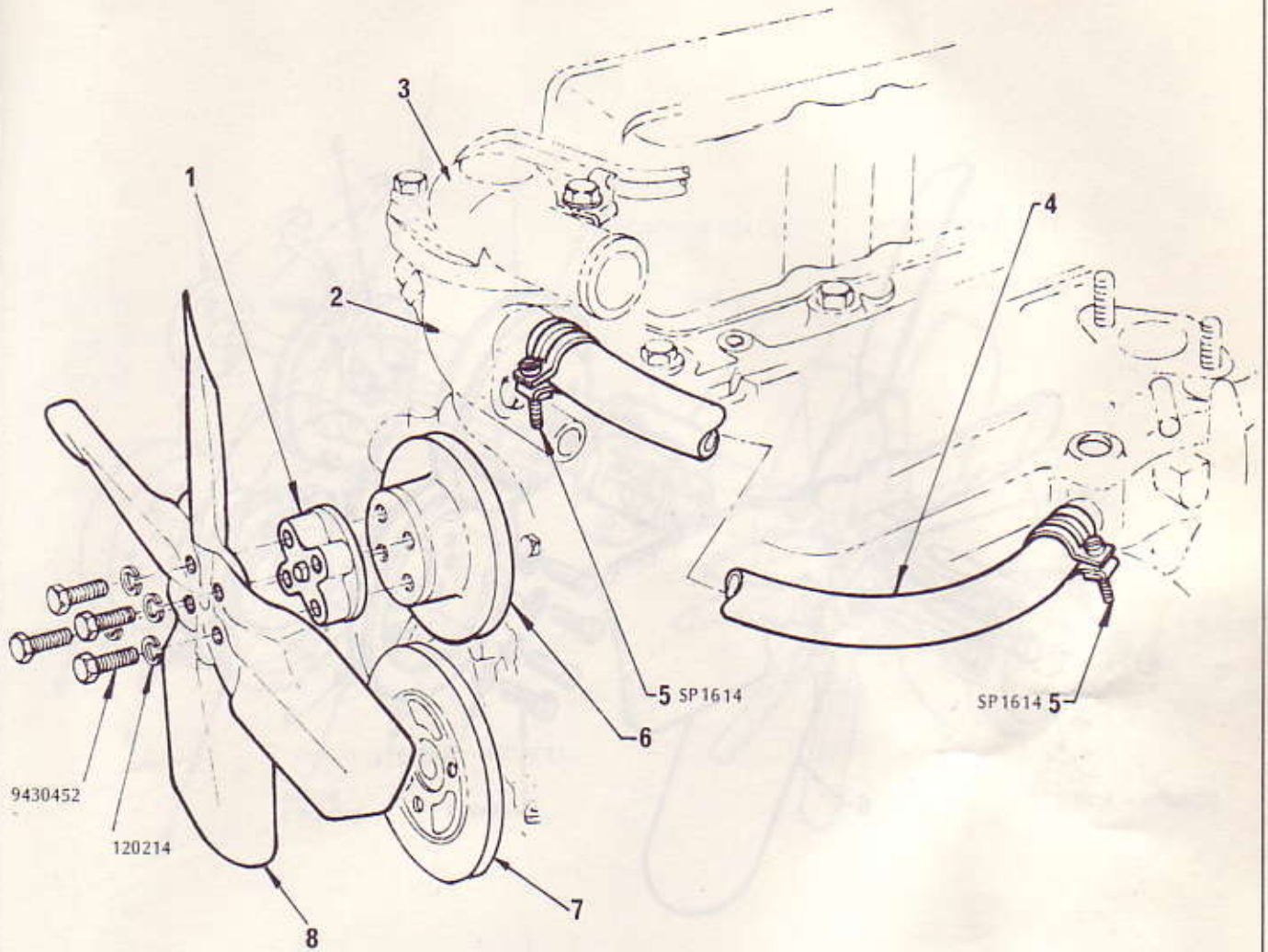
GROUP 1.000
COOLING – GRILLE
OILING

FANUC SYSTEMS
SERIES 1000



FAN BLADE
4 CYLINDER ENGINE

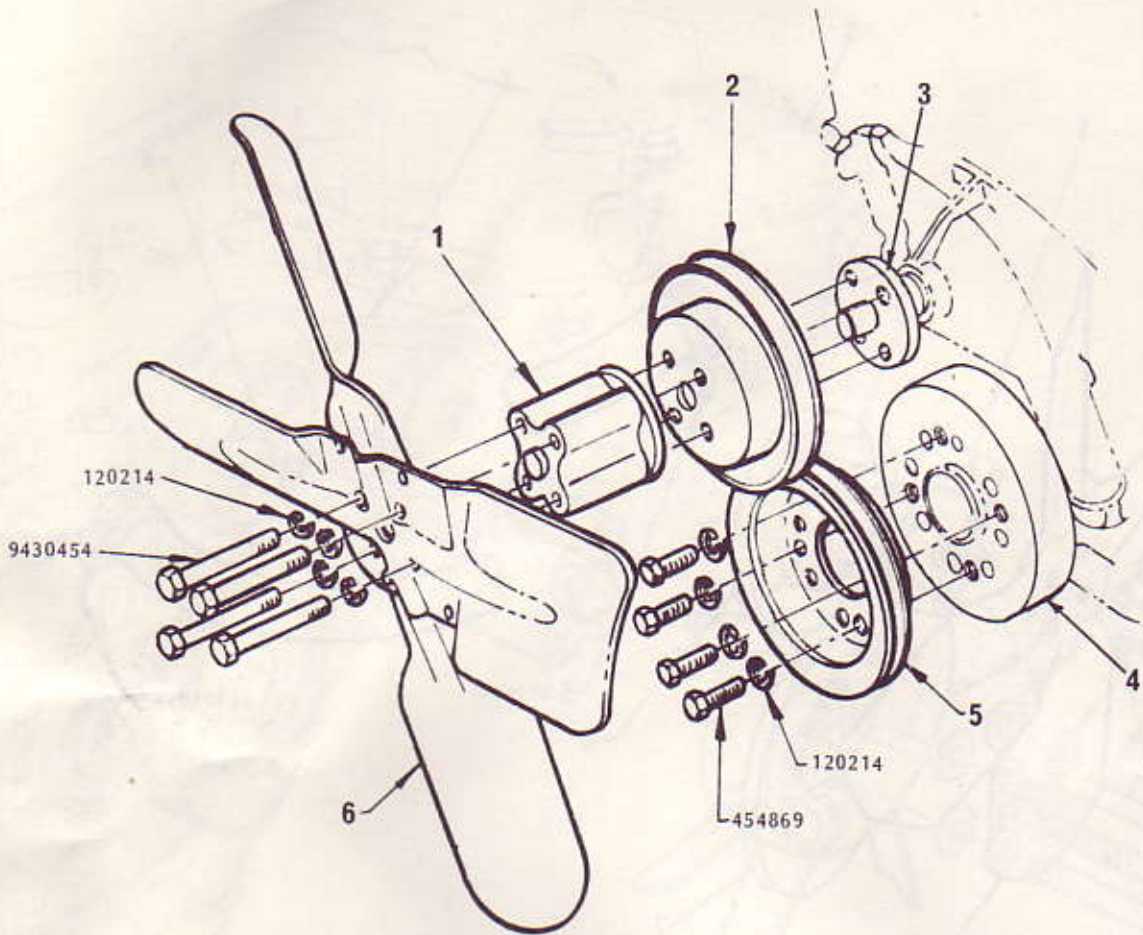
ILLUS. REF. NO.	PART NAME	GROUP
1.	BELT - Fan and generator	1.066
2.	SPACER - Fan blade	1.064
3.	BLADE ASSY. - Fan	1.064
4.	BOLT - Fan attaching	1.064



FAN BLADE & PULLEY

6 CYL. ENG.

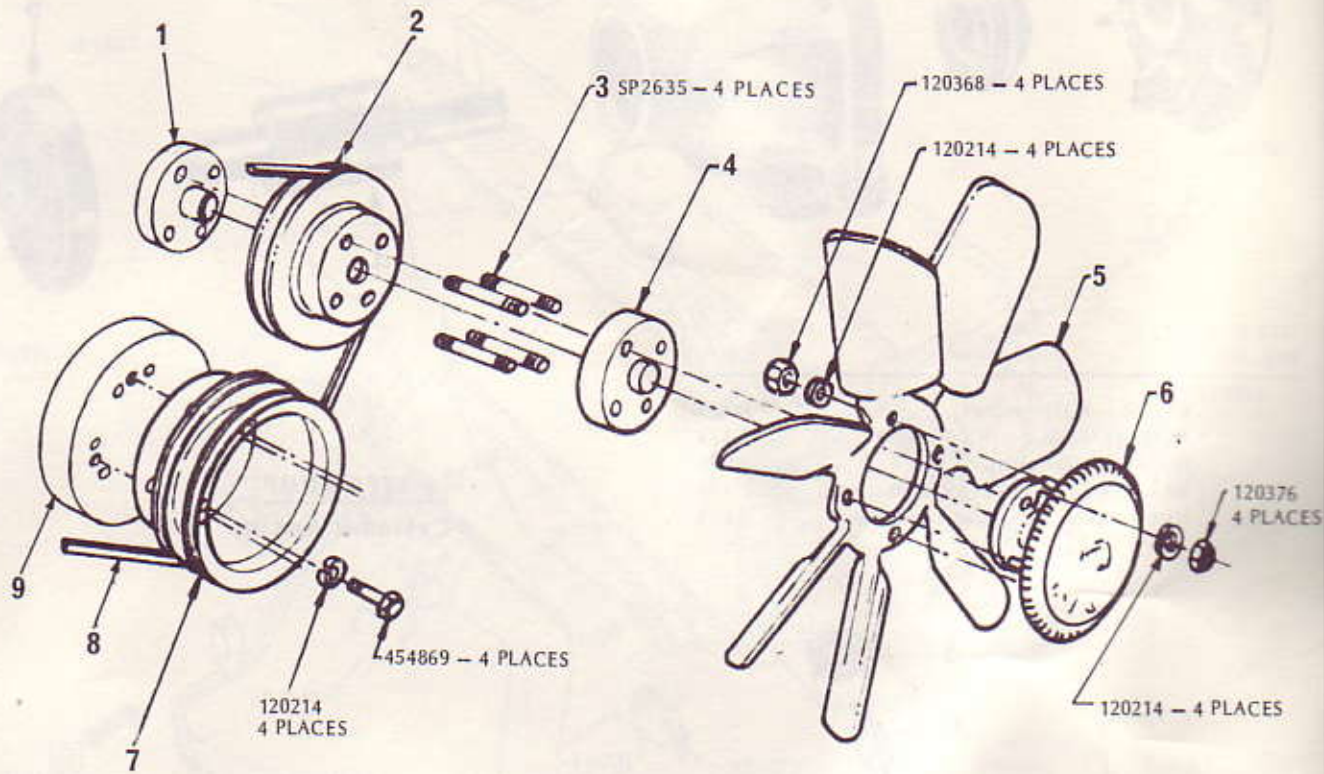
ILLUS. REF. NO.	PART NAME	GROUP	ILLUS. REF. NO.	PART NAME	GROUP
1.	SPACER - Fan blade	1.064	5.	CLAMP - Hose, 1.03" dia.	3.260
2.	HOUSING - Thermostat	1.251	6.	PULLEY - Water pump & fan	1.062
3.	OUTLET - Water	1.153	7.	PULLEY - Crankshaft	0.659
4.	HOSE - Inlet manifold water inlet	3.260	8.	BLADE ASSEMBLY - Fan	1.064



FAN BLADE & PULLEY

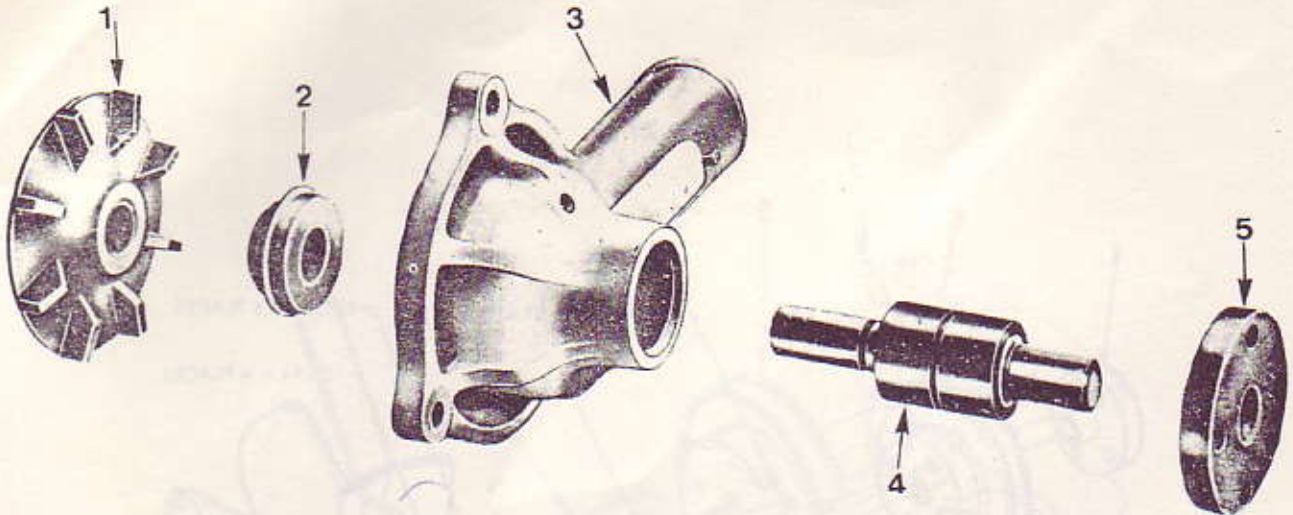
8 CYL. ENG. EXC. AIR COND.

ILLUS. REF. NO.	PART NAME	GROUP	ILLUS. REF. NO.	PART NAME	GROUP
1.	SPACER — Fan blade	1.064	4.	DAMPER ASSEMBLY	0.659
2.	PULLEY — Water pump & fan	1.062	5.	PULLEY ASSEMBLY — Crankshaft	0.659
3.	HUB — Water pump & fan pulley	1.063	6.	BLADE ASSEMBLY — Fan	1.064



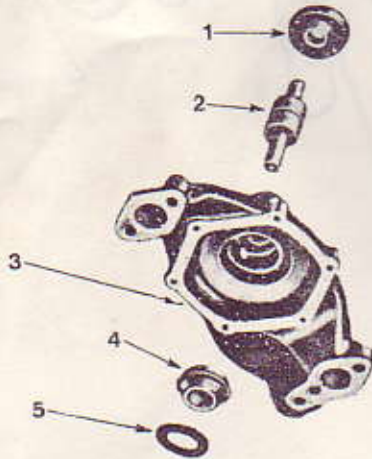
FAN BLADE & PULLEY
8 CYL. ENG. WITH AIR COND.

ILLUS. REF. NO.	PART NAME	GROUP	ILLUS. REF. NO.	PART NAME	GROUP
1.	HUB - Water pump & fan pulley	1.063	6.	CLUTCH ASSEMBLY - Fan	1.050
2.	PULLEY - Water pump & fan	1.062	7.	PULLEY ASSEMBLY - Crankshaft	0.659
3.	STUD - Clutch & spacer to water pump	1.050	8.	BELT - Fan & generator	1.066
4.	SPACER - Fan blade	1.064	9.	DAMPER ASSEMBLY	0.659
5.	BLADE ASSEMBLY - Fan	1.064			



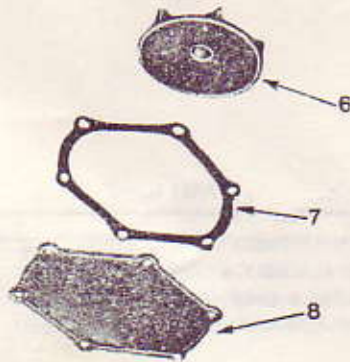
ILLUS. REF. NO.	PART NAME	GROUP
1.	ROTOR — Water pump	1.109
2.	SEAL ASSEMBLY — Water pump	1.123
3.	BODY — Water pump	1.073
4.	SHAFT AND BEARING ASSEMBLY	1.108
5.	HUB — Water pump and fan pulley	1.063

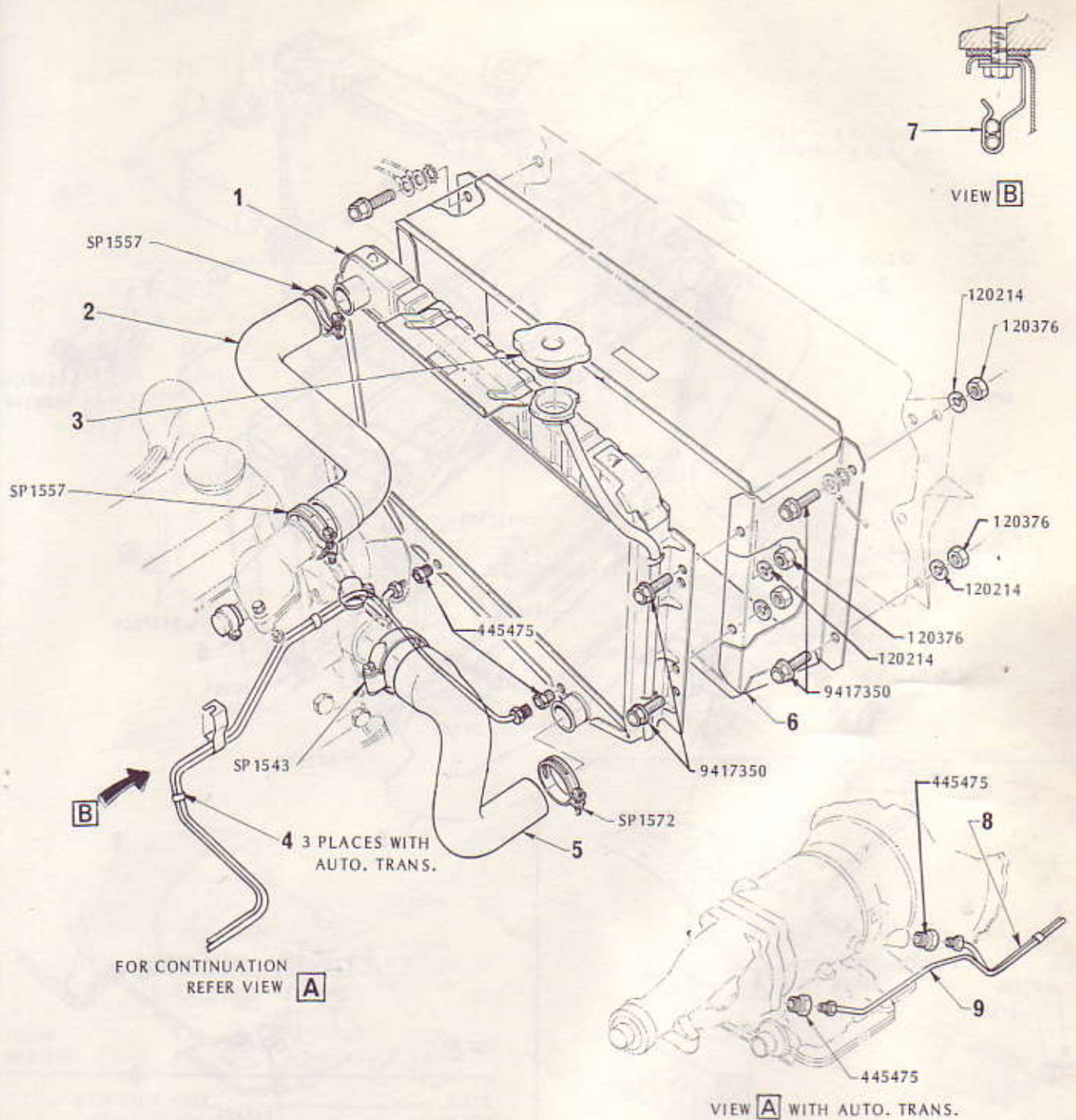
WATER PUMP
6 Cylinder Engine



ILLUS. REF. NO.	PART NAME	GROUP
1.	HUB — Water pump and fan pulley	1.063
2.	SHAFT & BEARING ASSY.	1.108
3.	BODY — Water pump	1.073
4.	SEAL ASSY. — Water pump	1.123
5.	SEAL ASSEMBLY — Seal	1.123
6.	ROTOR — Water pump	1.109
7.	GASKET — Water pump plate	N.S.S.
8.	PLATE — Water pump	N.S.S.
1-8 Inc. PUMP ASSY.		1.069

WATER PUMP
8 Cylinder Engine

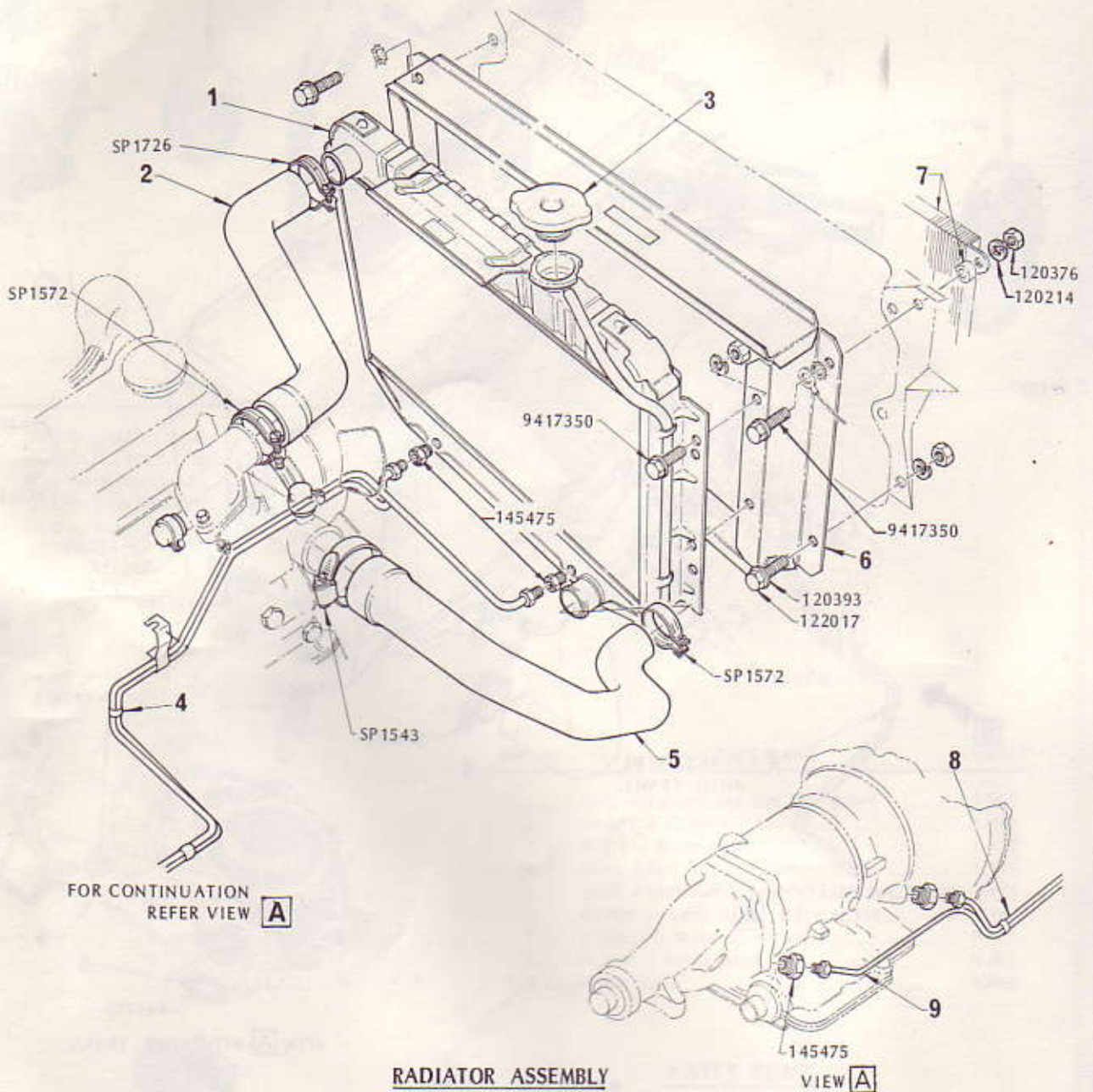




RADIATOR ASSEMBLY

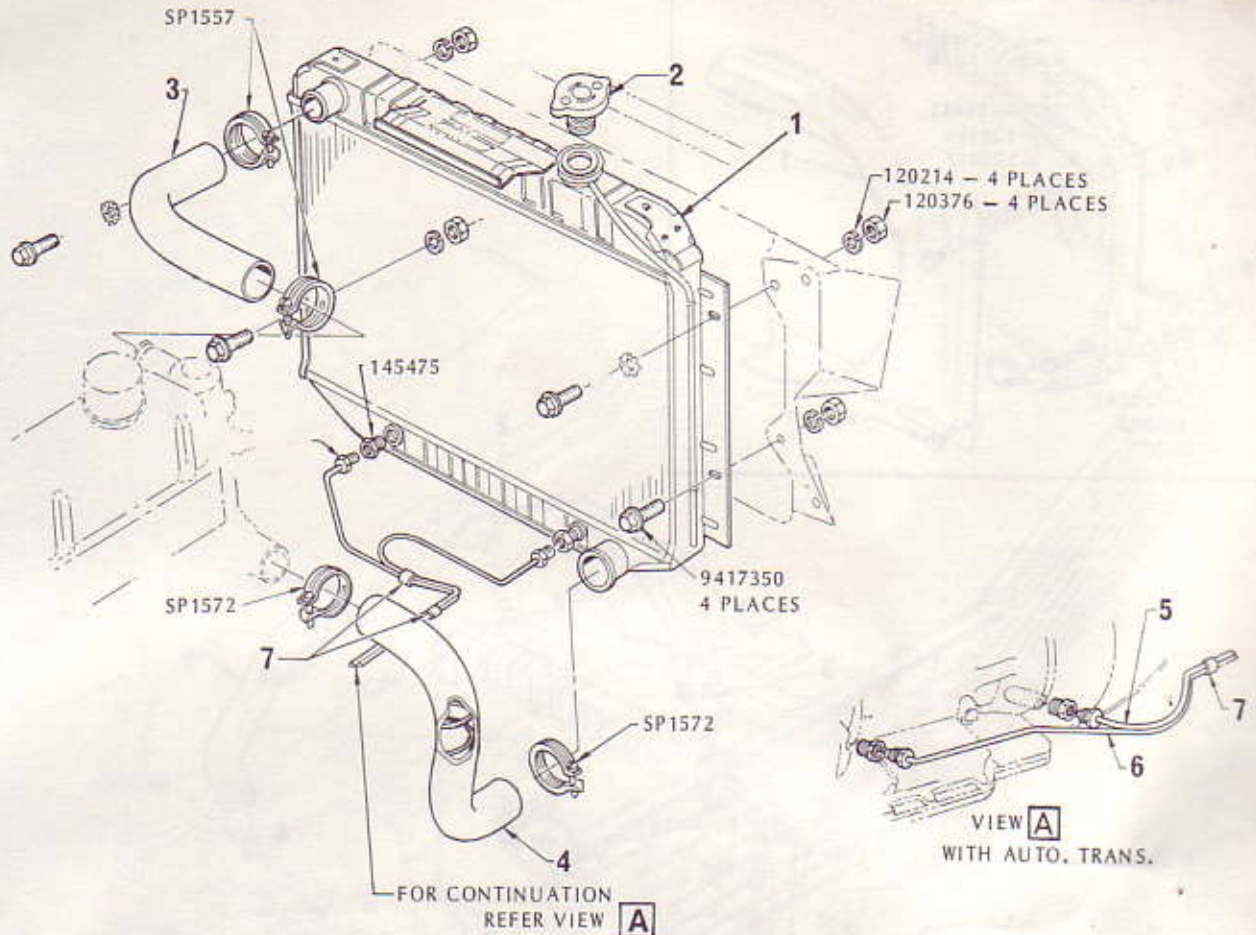
4 CYLINDER ENGINE Exc. AIR CONDITIONING

ILLUS. REF. NO.	PART NAME	GROUP	ILLUS. REF. NO.	PART NAME	GROUP
1.	RADIATOR ASSY.	1.219	6.	SUPPORT ASSY. - Radiator	1.270
2.	HOSE - Inlet	1.159	7.	CLIP - Pipes to engine	4.128
3.	CAP - Radiator pressure	1.203	8.	PIPE ASSY. - Oil cooler inlet	4.128
4.	CLIP - Inlet to outlet pipe	4.128	9.	PIPE ASSY. - Oil cooler outlet	4.128
5.	HOSE & SPRING PACKAGE - Outlet	1.159			



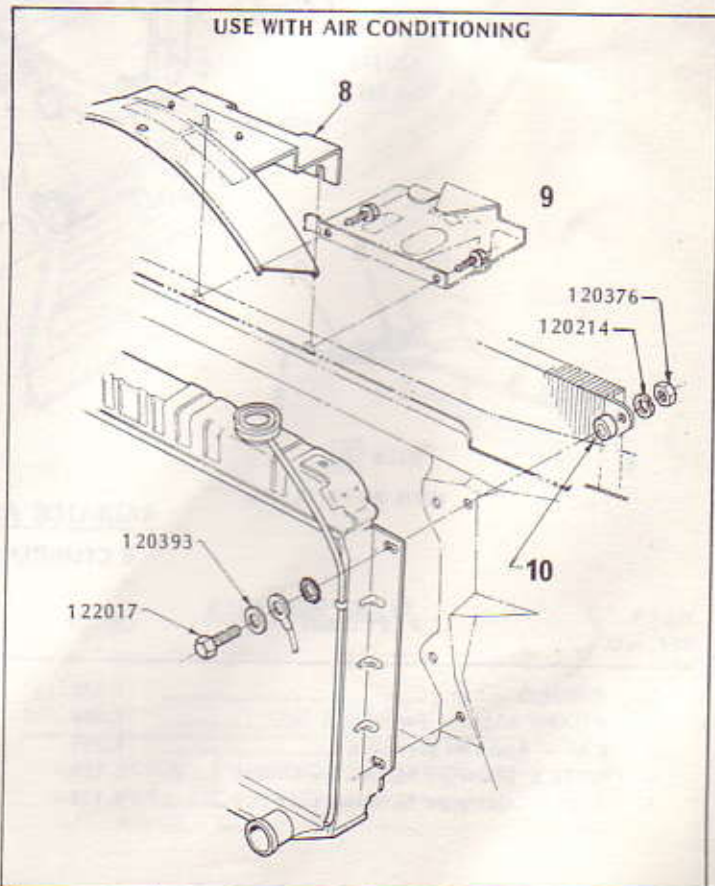
RADIATOR ASSEMBLY
 4-CYLINDER ENGINE WITH AIR CONDITIONING WITH AUTO. TRANS.

ILLUS. REF. NO.	PART NAME	GROUP	ILLUS. REF. NO.	PART NAME	GROUP
1.	RADIATOR ASSY.	1.219	6.	SUPPORT ASSY. - Radiator	1.270
2.	HOSE - Inlet	1.159	7.	SPACER - Condenser to radiator support.	9.190
3.	CAP - Radiator pressure	1.203	8.	PIPE ASSY. - Oil cooler inlet	4.128
4.	CLIP - Inlet to outlet pipe	4.128	9.	PIPE ASSY. - Oil cooler outlet	4.128
5.	HOSE & SPRING PACKAGE - Outlet	1.159			



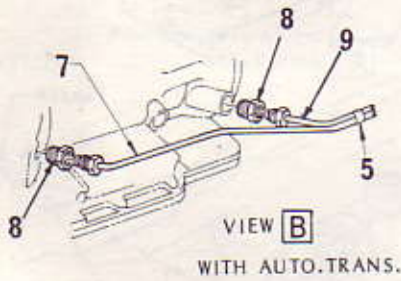
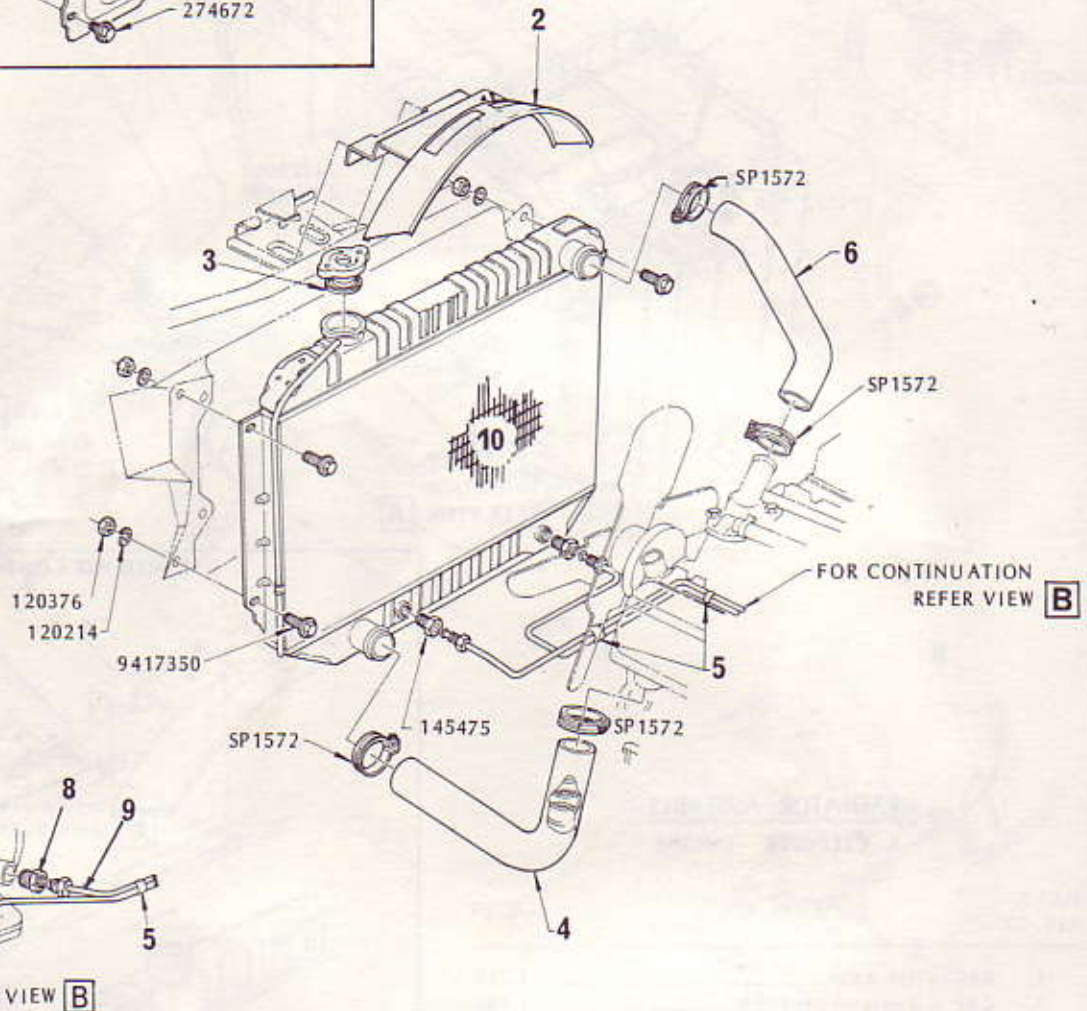
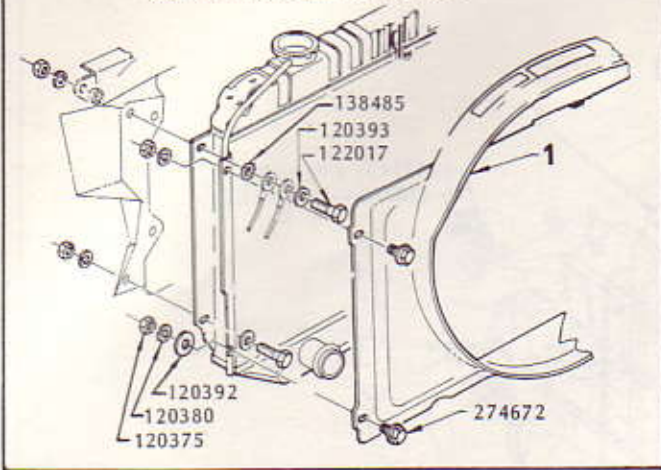
RADIATOR ASSEMBLY
6 CYLINDER ENGINE

ILLUS. REF. NO.	PART NO.	GROUP
1.	RADIATOR ASSY.	1.219
2.	CAP - Radiator pressure	1.203
3.	HOSE - Inlet	1.159
4.	HOSE & SPRING - Outlet	1.159
5.	PIPE ASSY. - Oil cooler inlet	4.128
6.	PIPE ASSY. - Oil cooler outlet	4.128
7.	CLIP - Inlet pipe to outlet pipe	4.128
8.	GUARD ASSY. - Fan	1.270
9.	LOCK & SUPPORT ASSY. - Hood	8.079
10.	SPACER - Condenser to radiator support ..	9.190



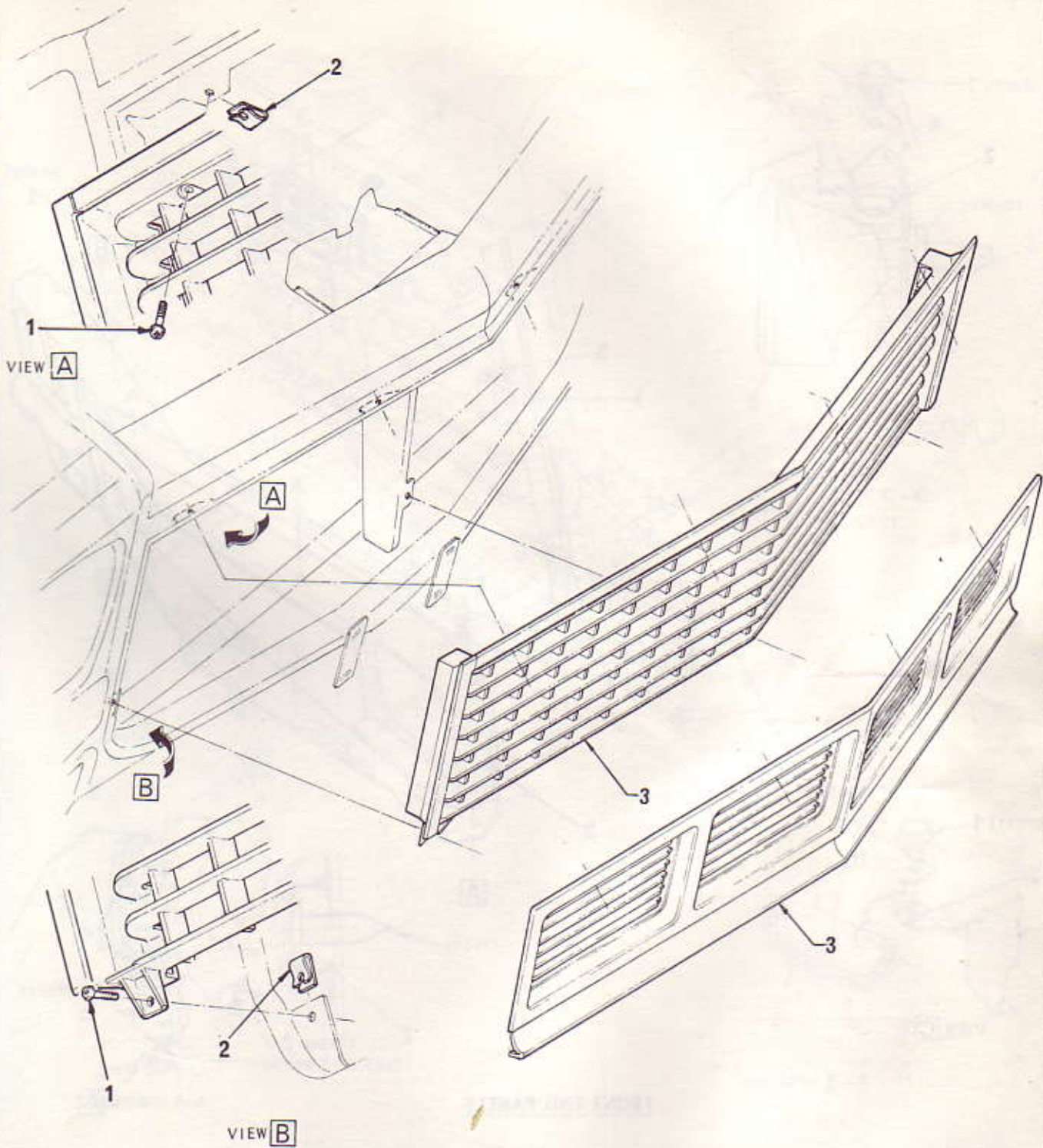
HOLDEN "LH" PARTS CATALOGUE

USE WITH AIR CONDITIONING



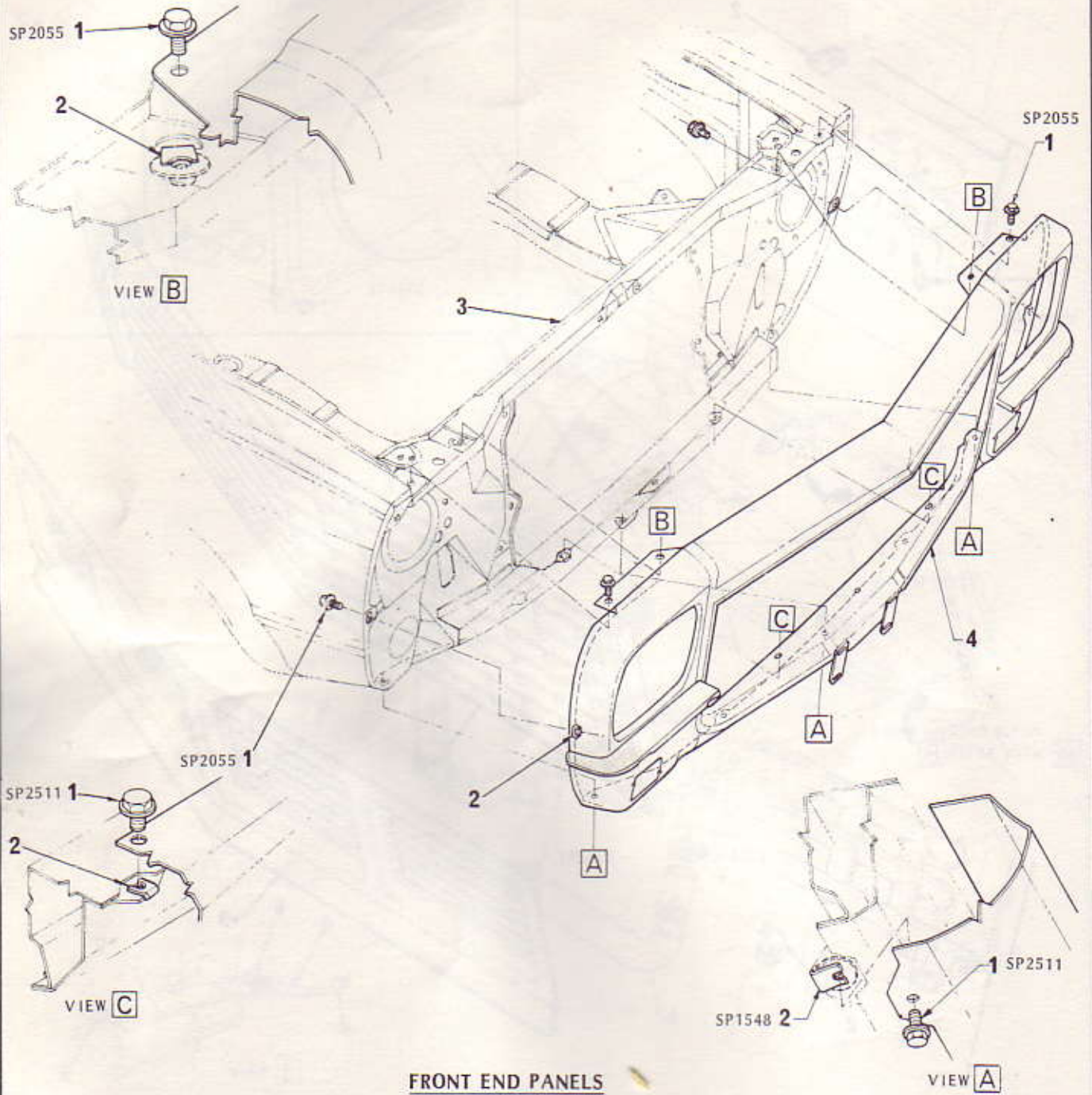
RADIATOR ASSEMBLY 8 CYLINDER ENGINE

ILLUS. REF. NO.	PART NAME	GROUP	ILLUS. REF. NO.	PART NAME	GROUP
1.	SHROUD - Fan	1.270	6.	HOSE - Inlet	1.159
2.	GUARD ASSY. - Fan	1.270	7.	PIPE ASSY. - Oil cooler outlet	4.128
3.	CAP - Radiator pressure	1.203	8.	CONNECTOR - Pipes to transmission	4.128
4.	HOSE & SPRING PACKAGE - Outlet	1.159	9.	PIPE ASSY. - Oil cooler inlet	4.128
5.	CLIP - Inlet pipe to outlet pipe	4.128	10.	RADIATOR ASSY.	1.219



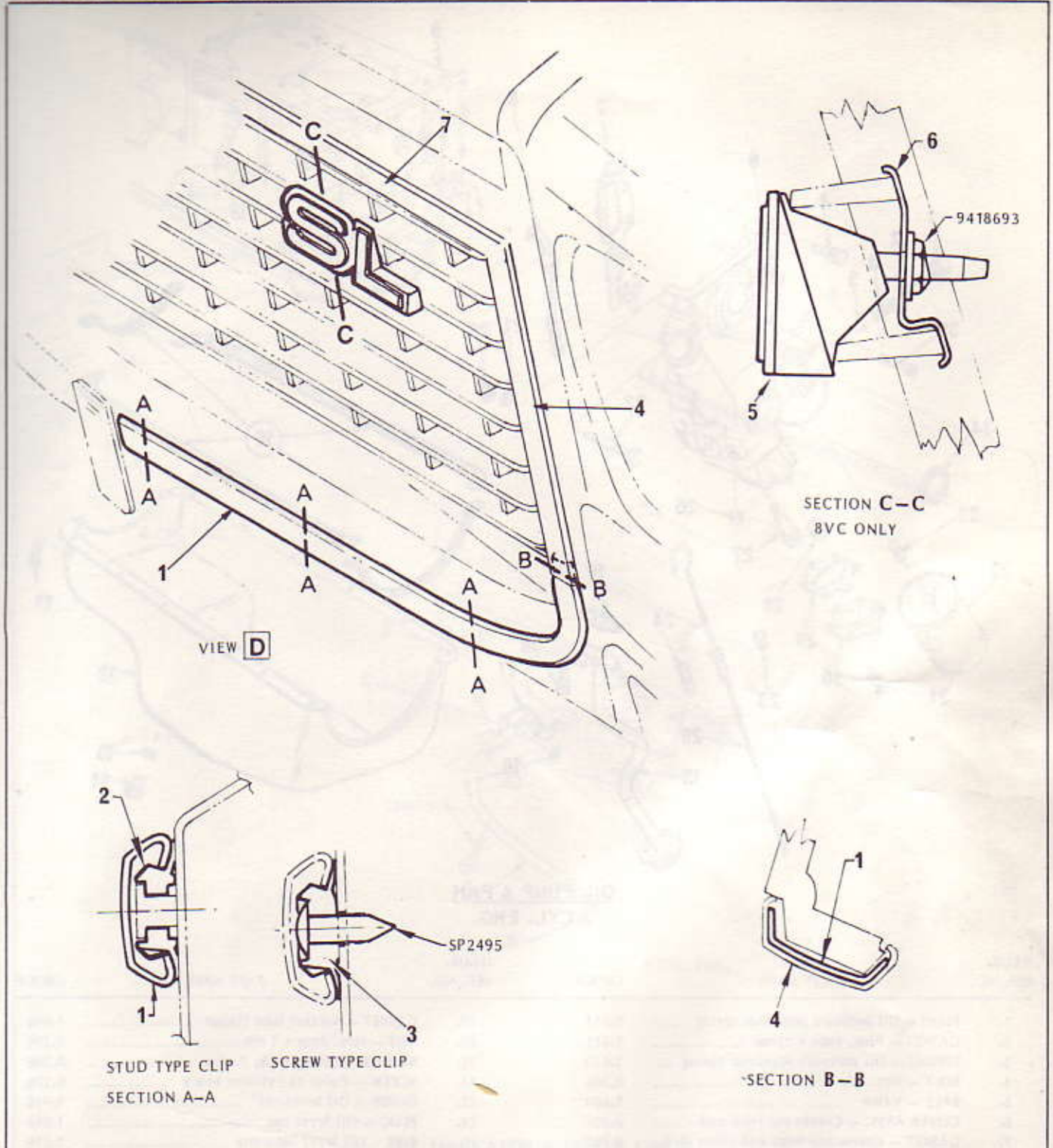
RADIATOR GRILLE

ILLUS. REF. NO.	PART NAME	GROUP
1.	SCREW - Radiator grille	1.266
2.	NUT - Radiator grille	1.266
3.	GRILLE - Radiator	1.266



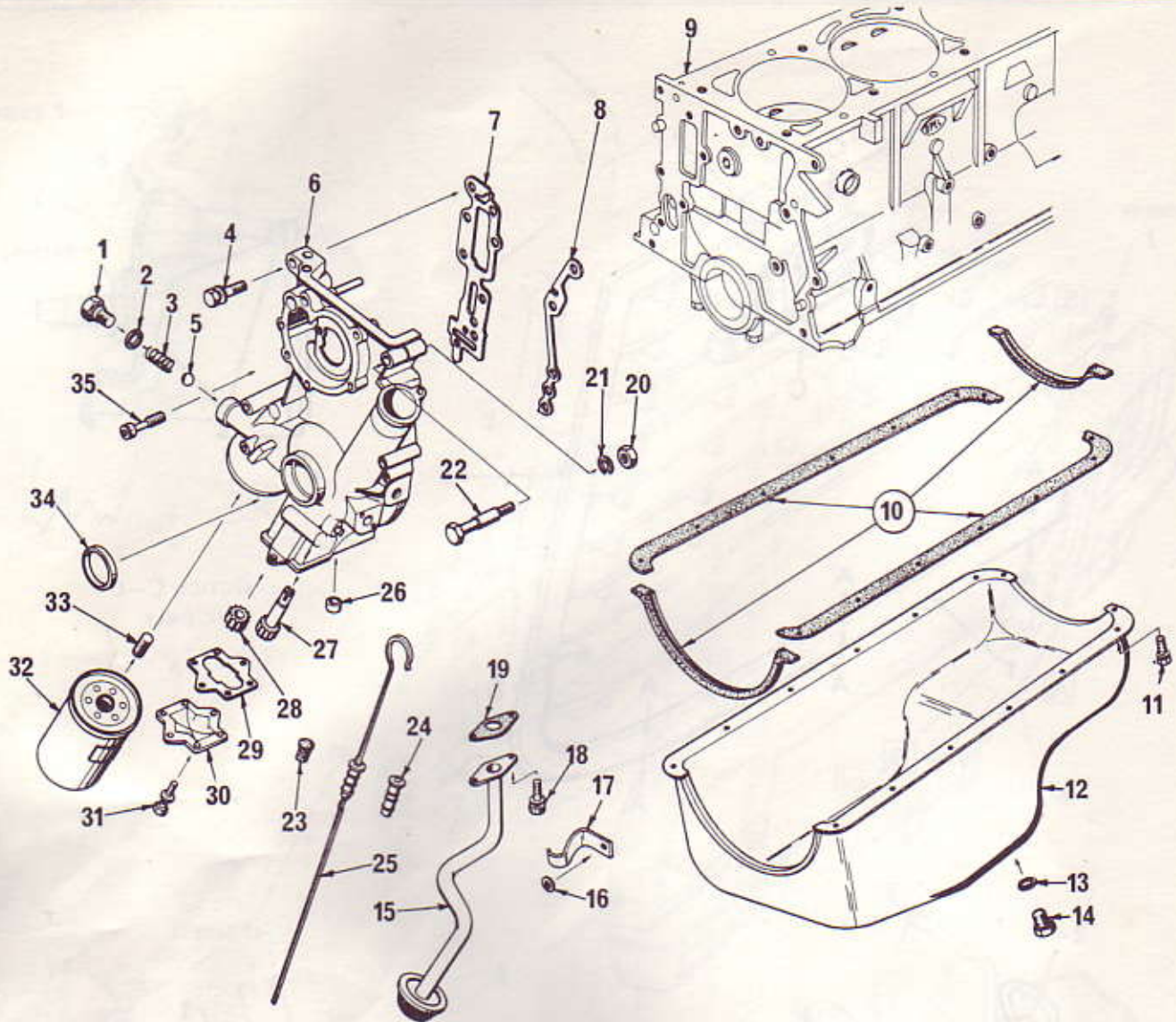
FRONT END PANELS

ILLUS. REF. NO.	PART NAME	GROUP
1.	SCREW & WASHER ASSY. — Hex.hd. 5/16" — 18 x .812	1.266
2.	NUT — "J" type 5/16" — 18	1.266
3.	PANEL ASSEMBLY — Radiator support	1.270
4.	PANEL ASSEMBLY — Front end	1.266



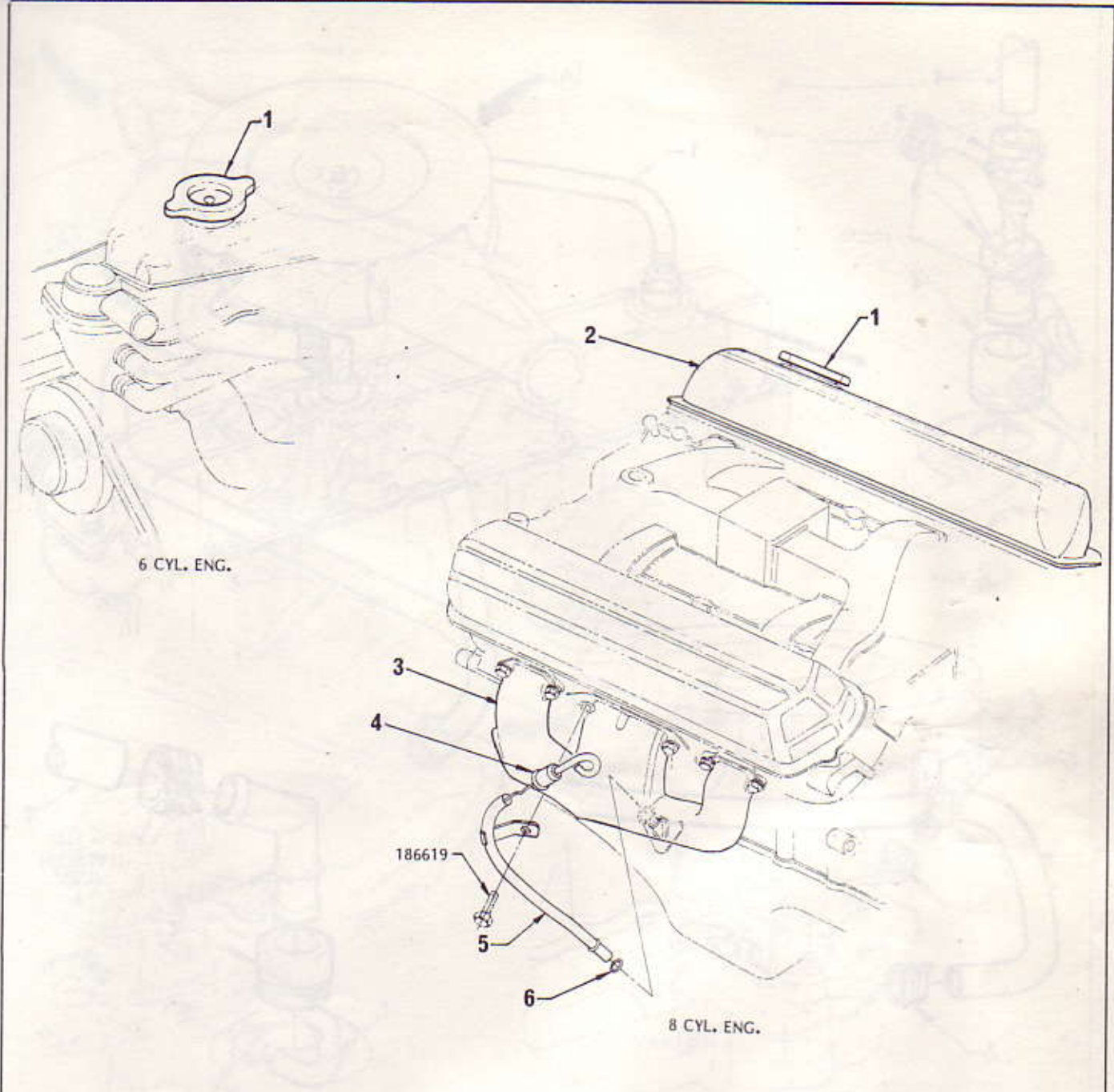
GRILLE ORNAMENTATION

ILLUS. REF. NO.	PART NAME	GROUP
1.	MOULDING - Grille lower	1.266
2.	CLIP - Moulding (Stud Type)	1.266
3.	CLIP - Moulding (Screw Type)	1.266
4.	MOULDING - Grille side	1.266
5.	PLATE - Name 'SL'	1.265
6.	BRACKET - Name plate	1.265
7.	MOULDING - Grille upper	1.266



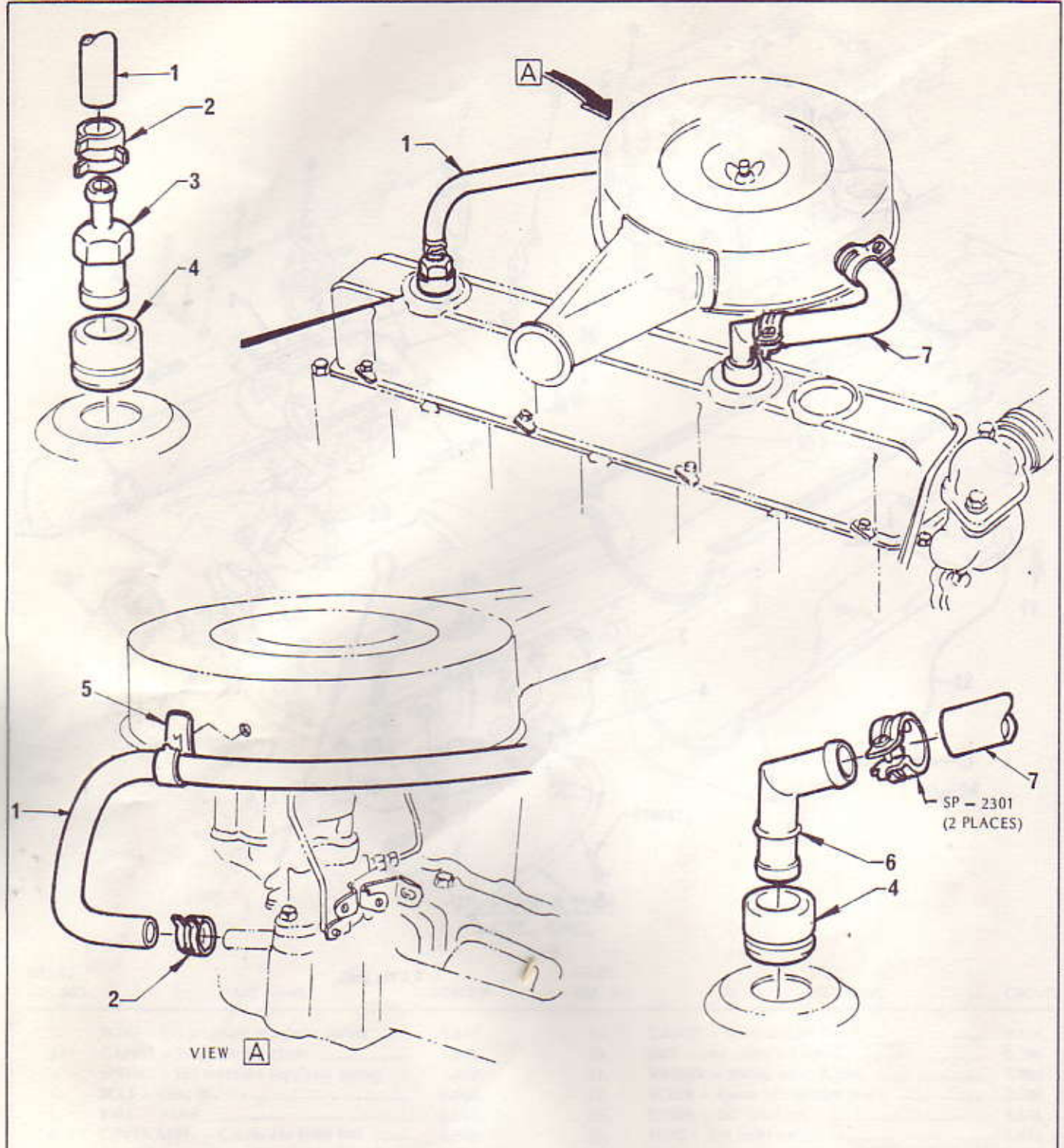
**OIL PUMP & PAN
4 CYL. ENG.**

ILLUS. REF. NO.	PART NAME	GROUP	ILLUS. REF. NO.	PART NAME	GROUP
1.	PLUG - Oil pressure regulator spring	1.611	19.	GASKET - Suction tube flange	1.656
2.	GASKET - Plug, 6mm x 22mm	1.611	20.	NUT - Hex. 7mm x 1 mm	0.206
3.	SPRING - Oil pressure regulator spring	1.610	21.	WASHER - Spring lock, 7.1mm	0.206
4.	BOLT - Hex. hd.	0.206	22.	SCREW - Cover to cylinder block	0.206
5.	BALL - Valve	1.609	23.	GUIDE - Oil level rod	1.516
6.	COVER ASSY. - Crankcase front end	0.206	24.	PLUG - Oil level rod	1.516
7.	GASKET - Crankcase front end cover (RH)..	0.207	25.	ROD - Oil level indicator	1.516
8.	GASKET - Crankcase front end cover (LH)..	0.207	26.	SEAL - 17.2mm x 12mm x 5.5mm	0.209
9.	CYLINDER BLOCK ASSY.	0.033	27.	GEAR & SHAFT ASSY.	1.659
10.	GASKET SET - Oil pan	1.429	28.	GEAR - Driven	1.659
11.	SCREW & LOCK WASHER	1.426	29.	GASKET - Oil pump cover	1.724
12.	PAN ASSEMBLY - Oil	1.426	30.	COVER - Oil pump	1.723
13.	GASKET - Drain plug	1.453	31.	SCREW - Hex.hd. with spring washer	1.723
14.	PLUG - Oil pan drain	1.453	32.	ELEMENT - Oil filter	1.835
15.	TUBE & SCREEN ASSY.	1.656	33.	CONNECTOR - Element	1.835
16.	WASHER - Spring, 13.2mm	1.656	34.	SEAL - 60mm x 45mm x 10mm	0.209
17.	BRACKET - Tube	1.656	35.	SCREW - Hex.socket set, 8mm x 1.25mm x 11mm	0.206
18.	BOLT - Hex.hd. with spring washer	1.656			



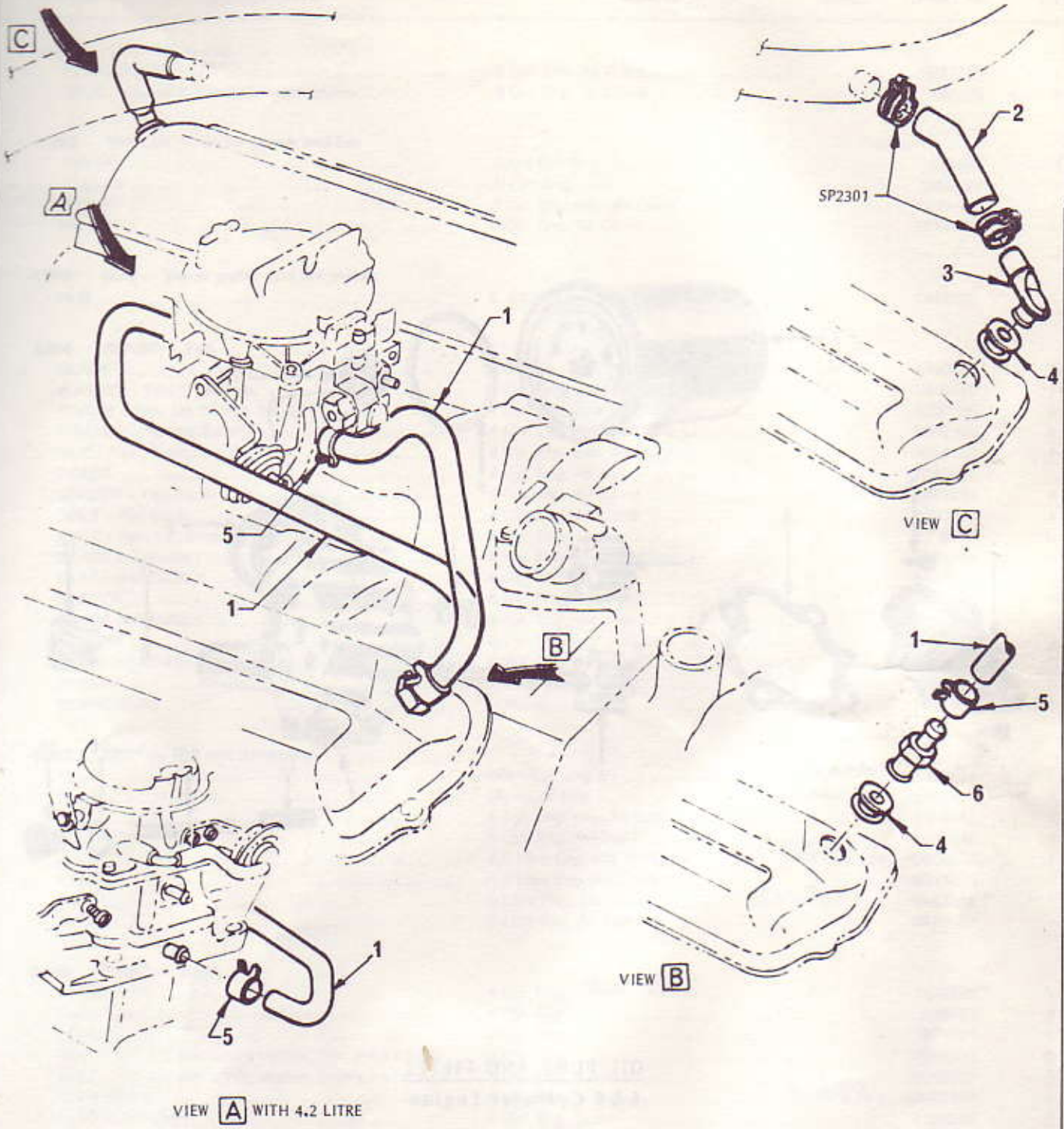
OIL INDICATOR & FILLER CAP

ILLUS. REF. NO.	PART NAME	GROUP	ILLUS. REF. NO.	PART NAME	GROUP
1.	CAP - Oil filler	1.516	4.	INDICATOR ASSY. - Oil level	1.516
2.	COVER ASSY. - Valve rocker	0.386	5.	TUBE ASSY. - Oil level indicator	1.516
3.	MANIFOLD ASSY. - Exhaust	3.601	6.	SEAL - Oil level indicator tube	1.516



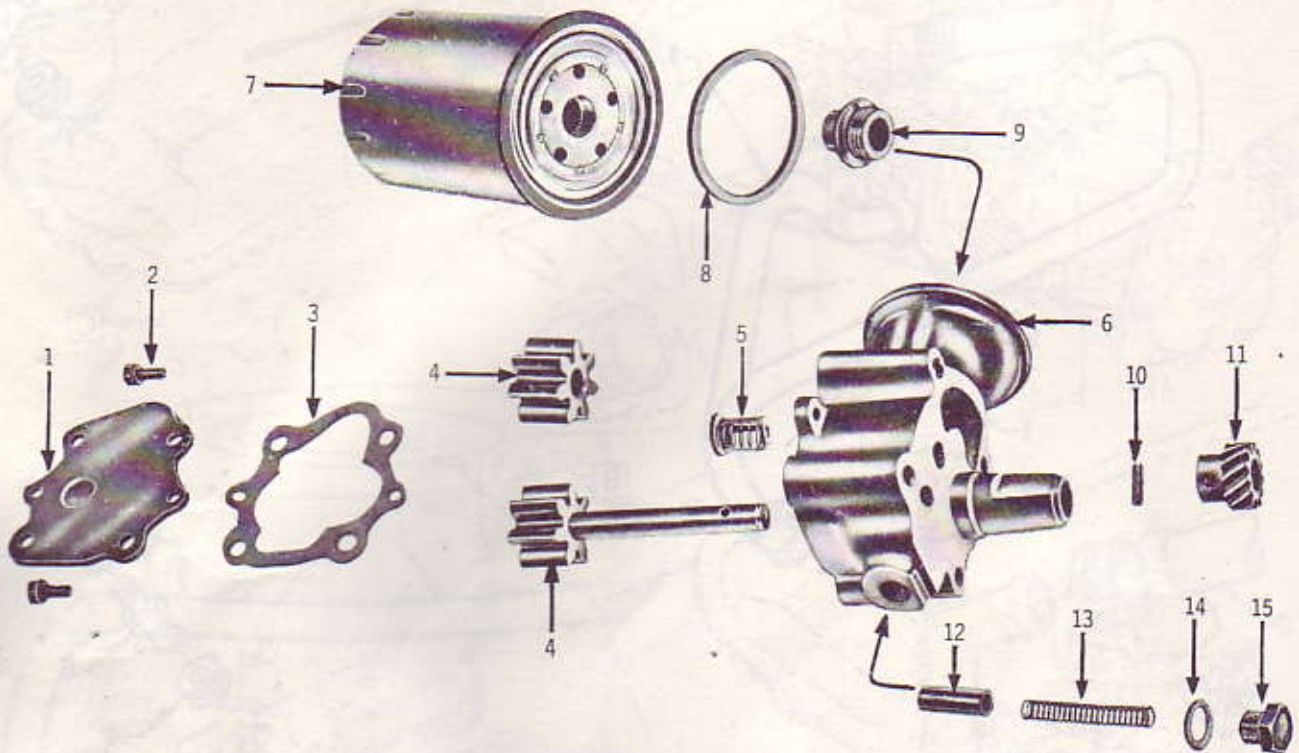
ENGINE BREATHER
6 CYL. ENG.

ILLUS. REF. NO.	PART NAME	GROUP	ILLUS. REF. NO.	PART NAME	GROUP
1.	HOSE - Engine breather	1.762	5.	CLIP - Hose to air cleaner	1.762
2.	CLAMP - Breather hose	1.762	6.	CONNECTOR	1.762
3.	VALVE ASSEMBLY	1.762	7.	HOSE - Engine breather outlet	1.762
4.	GROMMET	1.745			



ENGINE BREATHER
8 CYL. ENG.

ILLUS. REF. NO.	PART NAME	GROUP	ILLUS. REF. NO.	PART NAME	GROUP
1.	HOSE – Engine breather	1.762	4.	GROMMET	1.745
2.	HOSE – Engine breather to air cleaner	1.762	5.	CLAMP – Breather hose	1.762
3.	CONNECTOR	1.762	6.	VALVE ASSEMBLY	1.762



OIL PUMP AND FILTER
6 & 8 Cylinder Engine

ILLUS. REF. NO.	PART NAME	GROUP	ILLUS. REF. NO.	PART NAME	GROUP
1.	COVER	1.723	9.	ADAPTOR	1.835
2.	SCREW	1.723	10.	PIN	1.643
3.	GASKET	1.724	10/11.	GEAR KIT	1.643
4.	GEAR SET	1.659	12.	VALVE	1.609
5.	VALVE ASSEMBLY - By-pass	1.837	13.	SPRING	1.610
6.	BODY ASSEMBLY	1.653	14.	GASKET	1.611
7.	FILTER ASSEMBLY	1.835	15.	PLUG	1.611
8.	GASKET	1.837			

HOLDEN "LH" PARTS CATALOGUE

GROUP	DESCRIPTION	MODEL	SIDE	PART No.	QTY.
1.050	CLUTCH — Fan				
	CLUTCH ASSEMBLY	8 Cyl. Eng. Air Cond.		3937781	1
	STUD - Clutch & spacer to water pump	8 Cyl. Eng. Air Cond.		192423	4
1.062	PULLEY — Water pump and fan				
	PULLEY	(M) 4 Cyl. Eng.		1334693	1
	PULLEY	6 Cyl. Eng.		2808189	1
	PULLEY	8 Cyl. Eng. exc. Air Cond.		7435189	1
	PULLEY	8 Cyl. Eng. Air Cond.		2812459	1
1.063	HUB — Water pump and fan pulley				
	HUB	6, 8 Cyl. Eng.		7449209	1
1.064	BLADE — Fan				
	BLADE	4 Cyl. Eng. exc. Air Cond.		1340071	1
	WASHER - Fan, 31mm dia.	4 Cyl. Eng. exc. Air Cond.		1340850	1
	SCREW - Hex. hd. 6mm x 1 x 25mm	4 Cyl. Eng. exc. Air Cond.		2000126	4
	WASHER - Spring, 6.2mm	4 Cyl. Eng. exc. Air Cond.		2082102	4
	NUT - Hex., 6mm	4 Cyl. Eng. exc. Air Cond.		2064155	4
	BLADE	4 Cyl. Eng. Air Cond.		1340072	1
	SPACER - Fan blade	4 Cyl. Eng. Air Cond.		9933493	1
	BOLT - Fan blade	4 Cyl. Eng. Air Cond.		2000244	4
	BOLT - Hex. hd. 8mm x 1.25 x 18mm	4 Cyl. Eng.		2018102	4
	BLADE ASSEMBLY	6 Cyl. Eng. exc. Air Cond.		2823424	1
	BLADE ASSEMBLY	6 Cyl. Eng. Air Cond.		9937024	1
	SPACER	6 Cyl. Eng.		2823840	1
	BLADE ASSEMBLY	8 Cyl. Eng. exc. Air Cond., L34 Eng.		3927791	1
	SPACER	8 Cyl. Eng. exc. Air Cond.		2823841	1
	BLADE ASSEMBLY	8 Cyl. Eng. Air Cond.		3947772	1
	SPACER	8 Cyl. Eng. Air Cond.		9930002	1
	BLADE ASSY.	L34 Eng.		2823424	1
1.066	BELT — Fan and generator				
	BELT	(M) 4 Cyl. Eng.		1340671 <i>9934941</i>	1
	BELT	(A) 4 Cyl. Eng.		1340887 <i>92017607</i>	1
	BELT	6 Cyl. Eng. exc. Air Cond.		9934941	1
	BELT	6 Cyl. Eng. Air Cond.		2814845	1
	BELT	4.2 Litre Eng. exc. Air Cond.		9929501 <i>9934676</i>	1
	BELT	4.2 Litre Eng. Air Cond.		9931676	1
	BELT	5 Litre Eng. exc. Air Cond.		9433637 <i>3848255</i>	1
	BELT	5 Litre Eng. Air Cond.		9929501	1
1.069	PUMP — Water				
	PUMP ASSY.	4 Cyl. Eng. <i>9010 8735</i>		1334895	1
	CAP - Pump closing	4 Cyl. Eng.		838550	1
	CLAMP - Pump closing cap	4 Cyl. Eng.		SP1701	1
	BOLT - Hex. hd. with spring washer, 7mm x 1 x 20mm	4 Cyl. Eng.		2018078	3
	BOLT - Hex. hd. with spring washer, 7mm x 1 x 72mm	4 Cyl. Eng.		2018077	3
	PUMP ASSY.	6 Cyl. Eng.		2808367 <i>92008765</i>	1
	BOLT & WASHER	6 Cyl. Eng.		7420070	2
	BOLT & WASHER ASSY. - Generator bracket	6 Cyl. Eng.		SP2040	1
	PUMP ASSY.	8 Cyl. exc. L34 Eng. <i>92009639</i>		2824559 <i>(M3P229)</i>	1
	PUMP ASSY.	L34 Eng.		9939822	1
	BOLT - Pump to front cover	8 Cyl. Eng.		9427637	2
1.071	REPAIR KIT — Water pump				
	REPAIR KIT	6 Cyl. Eng.		7423694	1
	REPAIR KIT	8 Cyl. Eng.		2811054	1

HOLDEN "LH" PARTS CATALOGUE

GROUP	DESCRIPTION	MODEL	SIDE	PART No.	QTY.
1.073	BODY — Water pump				
	BODY	6 Cyl. Eng.		7420066	1
	BODY	8 Cyl. Eng.		2824541	1
1.079	GASKET — Water pump to engine				
	GASKET	4 Cyl. Eng.		1334734	1
	GASKET	6 Cyl. Eng.		7420069	1
	GASKET	8 Cyl. Eng.		7434749	1
1.108	SHAFT and BEARING — Water pump				
	SHAFT & BEARING ASSY.	6, 8 Cyl. Eng.		2823981	1
1.109	ROTOR — Water pump				
	ROTOR	6 Cyl. Eng.		7420068	1
	ROTOR	8 Cyl. Eng.		7438128	1
1.123	SEAL — Water pump				
	SEAL ASSY.	6 Cyl. Eng.		6270078	1
	SEAL ASSY.	8 Cyl. Eng.		1239465	1
	SEAT ASSY. - Seal	8 Cyl. Eng.		1239469	1
1.153	OUTLET — Water				
	OUTLET	4 Cyl. Eng.	N4A	1336343	1
	BOLT - Hex. hd. 8 mm x 1.25 x 25 mm with lock washer	4 Cyl. Eng.		2008157	2
	OUTLET	6 Cyl. Eng.		7423284	1
	BOLT - Thermostat housing	6 Cyl. Eng.		SP2071	1
	BOLT - Thermostat housing	6 Cyl. Eng.		SP2070	1
	OUTLET	8 Cyl. Eng.		2805347	1
1.154	GASKET — Water outlet				
	GASKET	4 Cyl. Eng.	08930323	(1336560)	1
	GASKET	6 Cyl. Eng.		7401111	1
	GASKET	8 Cyl. Eng.		7434795	1
1.159	HOSE — Radiator				
	HOSE - Inlet	4 Cyl. Eng. exc. Air Cond.	9933373	8825230	1
	HOSE - Inlet	4 Cyl. Eng. Air Cond.		9933373	1
	HOSE - Inlet	6 Cyl. Eng. exc. Air Cond., Heavy Duty Rad.		2812209	1
	HOSE - Inlet	6 Cyl. Eng. Air Cond.		9934125	1
	HOSE - Inlet	6 Cyl. Eng. Heavy Duty Rad.		9934125	1
	HOSE - Inlet	8 Cyl. Eng.	7037639	2812270	1
	HOSE - Outlet	4 Cyl. Eng. exc. Air Cond.		9933823	1
	HOSE - Outlet	4 Cyl. Eng. Air Cond.		(*) 9933140	1
	HOSE - Outlet	4 Cyl. Eng. Air Cond.		(*) 9938144	1
	HOSE & SPRING PACKAGE - Outlet	6 Cyl. Eng.	2812260	2819473	1
	HOSE & SPRING PACKAGE - Outlet	8 Cyl. Eng.	2812269	2819474	1
1.166	CLAMP — Hose				
	CLAMP - Inlet hose, 1.88" dia.	4 Cyl. Eng.		SP1572	2
	CLAMP - Inlet hose, 1 3/4" dia.	6 Cyl. Eng.		SP1004	2
	CLAMP - Inlet hose, 1.88" dia.	8 Cyl. Eng.		SP1572	2
	CLAMP - Outlet hose, 1.88" dia.	4 Cyl. Eng. exc. Air Cond.		SP1572	1
	CLAMP - Outlet hose	4 Cyl. Eng. Air Cond.		SP1557	1
	CLAMP - Outlet hose, 2 3/4" dia.	4 Cyl. Eng.		SP1543	1
	CLAMP - Outlet hose, 1.88" dia.	6, 8 Cyl. Eng.		SP1572	2
1.203	CAP — Radiator pressure				
	CAP	ALL		9928800	1

Note: (*) Use with radiator having right angle water outlet.
 (**) Use with radiator having straight water outlet.

HOLDEN "LH" PARTS CATALOGUE

GROUP	DESCRIPTION	MODEL	SIDE	PART No.	QTY.
1.219	RADIATOR, CORE, SERVICE SET				
	RADIATOR ASSY. - Regular	(M) 4 Cyl. Eng. exc. Air Cond.		9937905	1
	RADIATOR ASSY. - Heavy duty	(M) 4 Cyl. Eng. exc. Air Cond.		9933551	1
	RADIATOR ASSY. - (Right angle water outlet)	(M) 4 Cyl. Eng. Air Cond.		(⁹⁰ 9933141)	1
	RADIATOR ASSY. - (Straight water outlet)	(M) 4 Cyl. Eng. Air Cond.		(⁹¹ 9937905)	1
	RADIATOR ASSY. - Regular	(A) 4 Cyl. Eng. exc. Air Cond.		9937904	1
	RADIATOR ASSY. - Heavy duty	(A) 4 Cyl. Eng. exc. Air Cond.		9933552	1
	RADIATOR ASSY. - (Right angle water outlet)	(A) 4 Cyl. Eng. Air Cond.		(⁹⁰ 9933142)	1
	RADIATOR ASSY. - (Straight water outlet)	(A) 4 Cyl. Eng. Air Cond.		(⁹¹ 9937904)	1
	RADIATOR ASSY. - Regular	(M) 6 Cyl. Eng. exc. Air Cond.		9937905	1
	RADIATOR ASSY. - Heavy duty	(M) 6 Cyl. Eng. exc. Air Cond.		9937131	1
	RADIATOR ASSY.	(M) 6 Cyl. Eng. Air Cond.		9937131	1
	RADIATOR ASSY. - Regular	(A) 6 Cyl. Eng. exc. Air Cond.		9937904	1
	RADIATOR ASSY. - Heavy duty	(A) 6 Cyl. Eng. exc. Air Cond.		9937130	1
	RADIATOR ASSY.	(A) 6 Cyl. Eng. Air Cond.		9937130	1
	RADIATOR ASSY. - Regular	(M) 8 Cyl. Eng. exc. Air Cond., L34 Eng.		9938532	1
	RADIATOR ASSY. - Heavy duty	(M) 8 Cyl. Eng. exc. Air Cond., L34 Eng.		9928803	1
	RADIATOR ASSY.	(M) 8 Cyl. Eng. Air Cond.		9928803	1
	RADIATOR ASSY. - Regular	(A) 8 Cyl. Eng. exc. Air Cond.		9928527	1
	RADIATOR ASSY. - Heavy duty	(A) 8 Cyl. Eng. exc. Air Cond.		9928804	1
	RADIATOR ASSY.	(A) 8 Cyl. Eng. Air Cond.		9928804	1
	RADIATOR ASSY.	L34 Eng.		9928803	1
	CORE ASSY.	(M) 4 Cyl. Eng. Air Cond.		2813475	1
	CORE ASSY.	(A) 4 Cyl. Eng. Air Cond.		2822057	1
	CORE ASSY. - Regular	(M) 6 Cyl. Eng. exc. Air Cond.		2813473	1
	CORE ASSY. - Heavy duty	(M) 6 Cyl. Eng. exc. Air Cond.		VS12764	1
	CORE ASSY.	(M) 6 Cyl. Eng. Air Cond.		VS12764	1
	CORE ASSY. - Regular	(A) 6 Cyl. Eng. exc. Air Cond.		2813475	1
	CORE ASSY. - Heavy duty	(A) 6 Cyl. Eng. exc. Air Cond.		VS12764	1
	CORE ASSY.	(A) 6 Cyl. Eng. Air Cond.		VS12764	1
	CORE ASSY. - Regular	(M) 8 Cyl. Eng. exc. Air Cond., L34 Eng.		2820197	1
	CORE ASSY. - Heavy duty	(M) 8 Cyl. Eng. exc. Air Cond. L34 Eng.		7438983	1
	CORE ASSY.	(M) 8 Cyl. Eng. Air Cond.		7438983	1
	CORE ASSY. - Regular	(A) 8 Cyl. Eng. exc. Air Cond.		2820198	1
	CORE ASSY. - Heavy duty	(A) 8 Cyl. Eng. exc. Air Cond.		7438983	1
	CORE ASSY.	(A) 8 Cyl. Eng. Air Cond.		7438983	1
	CORE ASSY.	L34 Eng.		7438983	1
	COOLER ASSY. - Oil - Regular	(A) 4, 6 Cyl. Eng. exc. Air Cond.		2820103	1
	COOLER ASSY. - Oil - Heavy duty	(A) 4, 6 Cyl. Eng.		2820102	1
	COOLER ASSY. - Oil	(A) 4, 6 Cyl. Eng. Air Cond.		2820102	1
	COOLER ASSY. - Oil	(A) 8 Cyl. Eng.		2820102	1
	STRAP & BRACKET KIT	4 Cyl. Eng.		2813478	1
	STRAP & BRACKET KIT - Regular	6 Cyl. Eng. exc. Air Cond.		2813478	1
	STRAP & BRACKET KIT - Heavy duty	6 Cyl. Eng. exc. Air Cond.		VS12823	1
	STRAP & BRACKET KIT	6 Cyl. Eng. Air Cond.		VS12823	1
	STRAP & BRACKET KIT - Regular	8 Cyl. Eng. exc. Air Cond., L34 Eng.		VS12823	1
	STRAP & BRACKET KIT - Heavy duty	8 Cyl. Eng. exc. Air Cond., L34 Eng.		VS12765	1
	STRAP & BRACKET KIT	8 Cyl. Eng. Air Cond.		VS12765	1
	STRAP & BRACKET KIT	L34 Eng.		VS12765	1
	PIPE - Overflow	4 Cyl. Eng.		7427774	1
	PIPE - Overflow - Regular radiator	6 Cyl. Eng. exc. Air Cond.		7427774	1
	PIPE - Overflow, Heavy duty radiator	6 Cyl. Eng. exc. Air Cond.		7438985	1
	PIPE - Overflow	6 Cyl. Eng. Air Cond.		7438985	1
	PIPE - Overflow	8 Cyl. Eng.		7438985	1
1.221	BOLT - Radiator support				
	BOLT - Hex. washer hd. $\frac{5}{16}$ " - 18 x $\frac{3}{4}$ "	ALL		9417350	A.R.
1.246	THERMOSTAT				
	THERMOSTAT ASSY.	4 Cyl. Eng.		1338028	1
	THERMOSTAT ASSY.	6, 8 Cyl. Eng.		3749686	1

Note: (⁹⁰) Outlet hose Part No. 9933140 must be used.
 (⁹¹) Outlet hose Part No. 9938144 must be used.

HOLDEN "LH" PARTS CATALOGUE

GROUP	DESCRIPTION	MODEL	SIDE	PART No.	QTY.
1.251 HOUSING — Thermostat					
	HOUSING	4 Cyl. Eng.		1338115	1
	CAP - Housing closing	4 Cyl. Eng.		838550	1
	CLAMP - Housing closing cap	4 Cyl. Eng.		SP1701	1
	BOLT - Hex. hd. 8 mm x 1.25 x 32 mm	4 Cyl. Eng.		2016501	3
	HOUSING	6 Cyl. Eng.		2820816	1
	SEAL KIT - Heater hose connection	6 Cyl. Eng.		7430865	1
	BOLT & SPRING WASHER ASSY. - Hex. hd. 3/8" - 16 x 1 1/4"	6 Cyl. Eng.		SP2068	2
	BOLT & SPRING WASHER ASSY. - Hex. hd. 3/8" - 16 x 2"	6 Cyl. Eng.		SP2069	1
1.252 GASKET — Thermostat housing					
	GASKET	4 Cyl. Eng.		1338209	1
	GASKET	6 Cyl. Eng.		7429459	1
1.265 PLATE — Radiator grille name					
	PLATE - "Torana" name	UG, UH		9931548	1
	STUD - Name plate to radiator grille	UG, UH		7434869	2
	NUT - Name plate to radiator grille	UG, UH		272733	2
	PLATE - "SL" name	VC		9929525	1
	BRACKET - Name plate	VC		9929526	1
1.265 LETTER, CLIP — Front end panel					
	LETTER "T"	VB, VC, VD		2825918	1
	LETTER "O"	VB, VC, VD		2825919	1
	LETTER "R"	VB, VC, VD		2825920	1
	LETTER "A"	VB, VC, VD		2825921	2
	LETTER "N"	VB, VC, VD		2825922	1
	CLIP - Letter	VB, VC, VD		SP2419	12
1.266 GRILLE — Radiator					
	GRILLE	UG, UH		9931390	1
	GRILLE	VB exc. G Pak		9929520	1
	GRILLE	VC		9929521	1
	GRILLE	VD, G Pak		9929522	1
	SCREW - Radiator grille	ALL		SP2440	6-7
	NUT - Radiator grille	ALL		SP2050	6-7
	MOULDING - Grille upper	ALL		9929292	1
	MOULDING - Grille side	ALL	LH	9929233	1
			RH	9929232	1
	MOULDING - Grille lower	VC, VD	LH	9929533	1
			RH	9929532	1
	CLIP - Moulding (Stud type)	VC, VD		7438659	6
	CLIP - Moulding (Screw type)	VC, VD		7433488	6
	SCREW - Moulding clip	VC, VD		161755	6
1.266 PANEL — Front end					
	PANEL ASSEMBLY	ALL		9931556	1
	SCREW & WASHER ASSY. - Hex. hd. 5/16" - 18 x .812"	ALL		SP2055	13
	SCREW & WASHER ASSY. - Hex. hd. 5/16" - 18 x .812"	ALL		SP2511	5
	NUT - "J" type 5/16" - 18	ALL		SP1548	13
1.270 SUPPORT, PANEL — Radiator					
	SUPPORT ASSY.	4 Cyl. Eng. exc. Air Cond.		9930137	1
	SUPPORT ASSY.	4 Cyl. Eng. Air Cond.		9933307	1
	PANEL ASSY. - Radiator support	ALL		2824762	1
	GUARD ASSY. - Fan	6 Cyl. Eng. Air, Cond.		9937129	1
	GUARD ASSY. - Fan	6 Cyl. Eng. Heavy Duty Radiator		9937129	1
	GUARD ASSY. - Fan	8 Cyl. Eng. exc. Air Cond.		9937129	1
	SHROUD - Fan	8 Cyl. Eng. Air Cond.		9931732	1

HOLDEN "LH" PARTS CATALOGUE

GROUP	DESCRIPTION	MODEL	SIDE	PART No.	QTY.	
1.270	SUPPORT, PANEL — Radiator (contd.)					
	BRACKET — Shroud support, upper	8 Cyl. Eng. Air Cond.	LH	9939385	1	
			RH	9939386	1	
	BRACKET — Shroud support, lower	8 Cyl. Eng. Air Cond.	LH	9939387	1	
			RH	9939388	1	
	BUMPER — Fan guard to radiator	6 Cyl. Eng. Heavy duty radiator		7433103	2	
	BUMPER — Fan guard to radiator	6 Cyl. Eng. Air Cond.		7433103	2	
	BUMPER — Fan guard to radiator	8 Cyl. Eng. exc. Air Cond.		7433103	2	
	BUMPER — Fan guard to hood	6 Cyl. Eng. Heavy duty radiator		7438383	1	
	BUMPER — Fan guard to hood	6 Cyl. Eng. Air Cond.		7438383	1	
	BUMPER — Fan guard to hood	8 Cyl. Eng. exc. Air Cond.		7438383	1	
	1.426	PAN — Oil				
		PAN ASSY.	4 Cyl. Eng.		652052	1
SCREW & LOCK WASHER		4 Cyl. Eng.		2018053	16	
PAN ASSY.		6 Cyl. Eng.		9934276	1	
SCREW & LOCK WASHER ASSY.		6 Cyl. Eng.		SP1533	4	
PAN ASSY.		8 Cyl. exc. L34 Eng.		2809789	1	
PAN & BAFFLE ASSY.		L34 Eng.		9934236	1	
BAFFLE — Oil pan anti-aeration		L34 Eng.		9935156	1	
SCREW & LOCK WASHER ASSY.		8 Cyl. Eng.		7436618	16	
SCREW & LOCK WASHER		8 Cyl. Eng.		7436617	4	
1.429		GASKET UNIT — Oil pan				
	GASKET SET	4 Cyl. Eng.		1606230	1	
	GASKET UNIT	6 Cyl. Eng.		2819472	1	
	SEAL — Oil pan front	6 Cyl. Eng.		7420001	1	
	SEAL — Oil pan rear	6 Cyl. Eng.		3788444	1	
	PACKING — Seal	6 Cyl. Eng.		2815269	2	
	GASKET SET	8 Cyl. Eng.		2811059	1	
	SEAL — Front	8 Cyl. Eng.		7434735	1	
	SEAL — Rear	8 Cyl. Eng.		7434734	1	
	1.453	PLUG — Oil pan drain				
PLUG		4 Cyl. Eng.		652491	1	
GASKET — Drain plug		4 Cyl. Eng.		2091011	1	
PLUG & GASKET ASSY.		6, 8 Cyl. Eng.		7423483	1	
PLUG & GASKET — Oversize $\frac{1}{16}$ " - 18		6, 8 Cyl. Eng.		7433631	1	
GASKET — $\frac{1}{16}$ "		6, 8 Cyl. Eng.		7433633	1	
GASKET — Drain plug		6, 8 Cyl. Eng.		513975	1	
1.516	ROD, TUBE, SUPPORT, CLIP, INDICATOR — Oil					
	ROD — Oil level indicator	4 Cyl. Eng.		658060	1	
	GUIDE — Oil level rod	4 Cyl. Eng.		658310	1	
	PLUG — Oil level rod	4 Cyl. Eng.		658151	1	
	INDICATOR ASSY. — Oil level	6 Cyl. Eng.		2809297	1	
	TUBE — Oil level indicator	6 Cyl. Eng.		7427625	1	
	INDICATOR ASSY. — Oil level	8 Cyl. Eng.		9930577	1	
	TUBE ASSY. — Oil level indicator	8 Cyl. Eng.		2825821	1	
	SEAL — Oil level indicator tube	8 Cyl. Eng.		274244	1	
	1.540	COOLER — Engine oil				
COOLER ASSEMBLY — Engine oil		L34 Eng.		(⁴² 3157804	1	
ADAPTOR — Oil cooler to oil pump		L34 Eng.		(⁴² 9937702	1	
CONNECTOR — Oil cooler to adaptor		L34 Eng.		(⁴² 9937703	1	
"O" RING — Oil cooler to adaptor		L34 Eng.		(⁴² 9938211	1	

Note: (⁴² Component of 9937365, M37610.

HOLDEN "LH" PARTS CATALOGUE

GROUP	DESCRIPTION	MODEL	SIDE	PART No.	QTY.
1.609	VALVE — Oil pressure regulator				
	BALL - Valve	4 Cyl. Eng.		(⁹⁹ 2088008	1
	VALVE	4 Cyl. Eng.		(⁹⁹ 647776	1
	VALVE	6 Cyl. Eng.		3702366	1
	VALVE	8 Cyl. Eng.		1199080	1
	CAP - Valve	8 Cyl. Eng.		1194360	1
	GASKET - Valve cap	8 Cyl. Eng.		7435833	1
1.610	SPRING, SPACER — Oil pressure regulator valve				
	SPRING	4 Cyl. Eng.		(⁹⁹ 646859	1
	SPRING	4 Cyl. Eng.		(⁹⁹ 646861	1
	SPRING	6 Cyl. Eng.		3837115	1
	SPRING	8 Cyl. exc. L34 Eng.		7439491	1
	SPRING	L34 Eng.		7439491	1
	SPACER	L34 Eng.		9939384	1
1.611	PLUG — Oil pressure regulator spring				
	PLUG	4 Cyl. Eng.		(⁹⁹ 646800	1
	PLUG	4 Cyl. Eng.		(⁹⁹ 646805	1
	GASKET - Plug, 6mm x 22mm	4 Cyl. Eng.		(⁹⁹ 2091016	1
	SEAL - Plug	4 Cyl. Eng.		(⁹⁹ 2091041	1
	PLUG	6 Cyl. Eng.		7426909	1
	GASKET	6 Cyl. Eng.		7417490	1
1.643	GEAR KIT — Oil pump drive				
	GEAR KIT	6 Cyl. Eng.		7423613	1
	GEAR	8 Cyl. Eng.		7434732	1
	PIN - Slotted spring $\frac{3}{16}$ " x $\frac{3}{4}$ "	6, 8 Cyl. Eng.		454512	1
1.652	PUMP — OIL				
	PUMP ASSY.	6 Cyl. Eng.		7449396	1
	PUMP ASSY.	8 Cyl. exc. L34 Eng.		2815887	1
	PUMP ASSY.	L34 Eng.		9939804	1
	BOLT & SPRING WASHER ASSY. - Hex. hd. $\frac{3}{16}$ " - 18 x 2 $\frac{1}{2}$ "	6 Cyl. Eng.		SP2028	4
1.653	BODY and DRIVEN GEAR SHAFT — Oil pump				
	BODY & DRIVEN GEAR SHAFT ASSY.	6 Cyl. Eng.		7449397	1
	BODY ASSY.	8 Cyl. Eng.		2815888	1
	BUSHING - Drive shaft	8 Cyl. exc. L34 Eng.		7434946	1
	BUSHING - Drive shaft	L34 Eng.		9939823	1
1.654	GASKET — Oil pump to block				
	GASKET	6 Cyl. Eng.		7420017	1
	GASKET	8 Cyl. Eng.		7434848	1
1.656	PIPE & SCREEN — Oil pump				
	TUBE & SCREEN ASSY.	4 Cyl. Eng.		648337	1
	GASKET - Suction tube flange	4 Cyl. Eng.		648401	1
	BRACKET - Tube	4 Cyl. Eng.		648624	1
	WASHER - Spring, 13.2mm	4 Cyl. Eng.		2082110	1
	BOLT - Hex. hd. with spring washer 6 mm x 1 x 15 mm	4 Cyl. Eng.		2018052	2
	PIPE & SCREEN ASSY.	6 Cyl. Eng.		7448753	1
	PIPE & SCREEN ASSY.	8 Cyl. exc. L34 Eng.		2809791	1
	PIPE & SCREEN ASSY.	L34 Eng.		9935213	1
	GASKET - Suction pipe flange	8 Cyl. Eng.		7434859	1

Note: (⁹⁹ Use with oil pump cover 646675.

(⁹⁹ Use with oil pump cover 646587.

HOLDEN "LH" PARTS CATALOGUE

GROUP	DESCRIPTION	MODEL	SIDE	PART No.	QTY.
1.658	SHAFT — Oil pump driven gear				
	SHAFT	6 Cyl. Eng.		7420011	1
	SHAFT - Driven gear	8 Cyl. Eng.		3790864	1
	SHAFT - Drive	8 Cyl. Eng.		7434740	1
1.659	GEAR SET — Oil pump				
	GEAR & SHAFT ASSY. (Standard)	4 Cyl. Eng.		646338	1
	GEAR & SHAFT ASSY. (.02 mm O/S)	4 Cyl. Eng.		646339	1
	GEAR - Driven (Standard)	4 Cyl. Eng.		646560	1
	GEAR - Driven (.2 mm O/S)	4 Cyl. Eng.		646561	1
	GEAR SET	6 Cyl. Eng.		2815102	1
	GEAR SET	8 Cyl. Eng.		2811680	1
	GEAR & SHAFT ASSY.	8 Cyl. Eng.		7434755	1
	GEAR - Primary	8 Cyl. Eng.		7435396	1
	GEAR - Secondary	8 Cyl. Eng.		7435396	1
1.723	COVER — Oil pump				
	COVER - (Without relief valve)	4 Cyl. Eng.		646675	1
	COVER - (With relief valve)	4 Cyl. Eng.		646587	1
	SCREW - Hex. hd. with spring washer, 6 mm x 1 x 18 mm	4 Cyl. Eng.		2014155	6
	COVER	6 Cyl. Eng.		7426937	1
	COVER	8 Cyl. exc. L34 Eng.		7434932	1
	COVER	L34 Eng.		9939895	1
	PLUG - Oil pump cover	8 Cyl. Eng.		9421744	1
1.724	GASKET — Oil pump cover				
	GASKET	4 Cyl. Eng.		646908	1
	GASKET	6 Cyl. Eng.		7420016	1
	GASKET	8 Cyl. Eng.		7434849	1
1.745	GROMMET — Valve cover to block vent				
	GROMMET	6 Cyl. Eng.		9928699	2
	GROMMET	8 Cyl. Eng.		7439585	2
1.758	CAP — Oil filler				
	CAP	4 Cyl. Eng.		654456	1
	CAP ASSY. -	6, 8 Cyl. exc. L34 Eng.		3835665	1
	CAP ASSY. - (Optional with 7422035)	L34 Eng.		3835665	2
	CAP ASSY. - (Optional with 3835665)	L34 Eng.		7422035	2
1.762	VALVE, HOSE, ADAPTOR — Crankcase ventilator				
	HOSE - Engine breather	4 Cyl. Eng.		9931512	1
	CLAMP - Hose to air cleaner	4 Cyl. Eng.		SP1611	1
	VALVE ASSY.	6 Cyl. Eng.		1533669	1
	HOSE - Engine breather	6 Cyl. Eng.		(³⁴ 7438562)	1
	HOSE - Engine breather outlet	6 Cyl. Eng.		9935027	1
	CONNECTOR	6 Cyl. Eng.		9932232	1
	CLAMP - Breather hose	6 Cyl. Eng.		3829058	2
	TUBE - Vacuum hose fitting in manifold	6 Cyl. Eng.		7433250	1
	CLIP - Hose to air cleaner	6 Cyl. Eng.		SP1868	1
	VALVE ASSY.	8 Cyl. Eng.		6421976	1
	HOSE - Engine breather	4.2 Litre Eng.		(³⁴ 9928963)	1
	HOSE - Engine breather	5 Litre Eng.		(³⁴ 9928962)	1
	HOSE - Engine breather	L34 Eng.		(⁴² 9937712)	1
	HOSE - Engine breather to air cleaner	8 Cyl. Eng. exc. Air Cond., L34 Eng.		9932335	1
	HOSE - Engine breather to air cleaner	8 Cyl. Eng. Air Cond.		9933205	1
	HOSE - Engine breather to air cleaner	L34 Eng.		9939845	1
	CLAMP - Breather hose	8 Cyl. Eng.		(³⁴ 3829058)	2
	CONNECTOR	8 Cyl. Eng.		9932185	1

Note: (³⁴ Prior to fuel evaporative emission control.
(⁴² Component of 9937365, M37610.

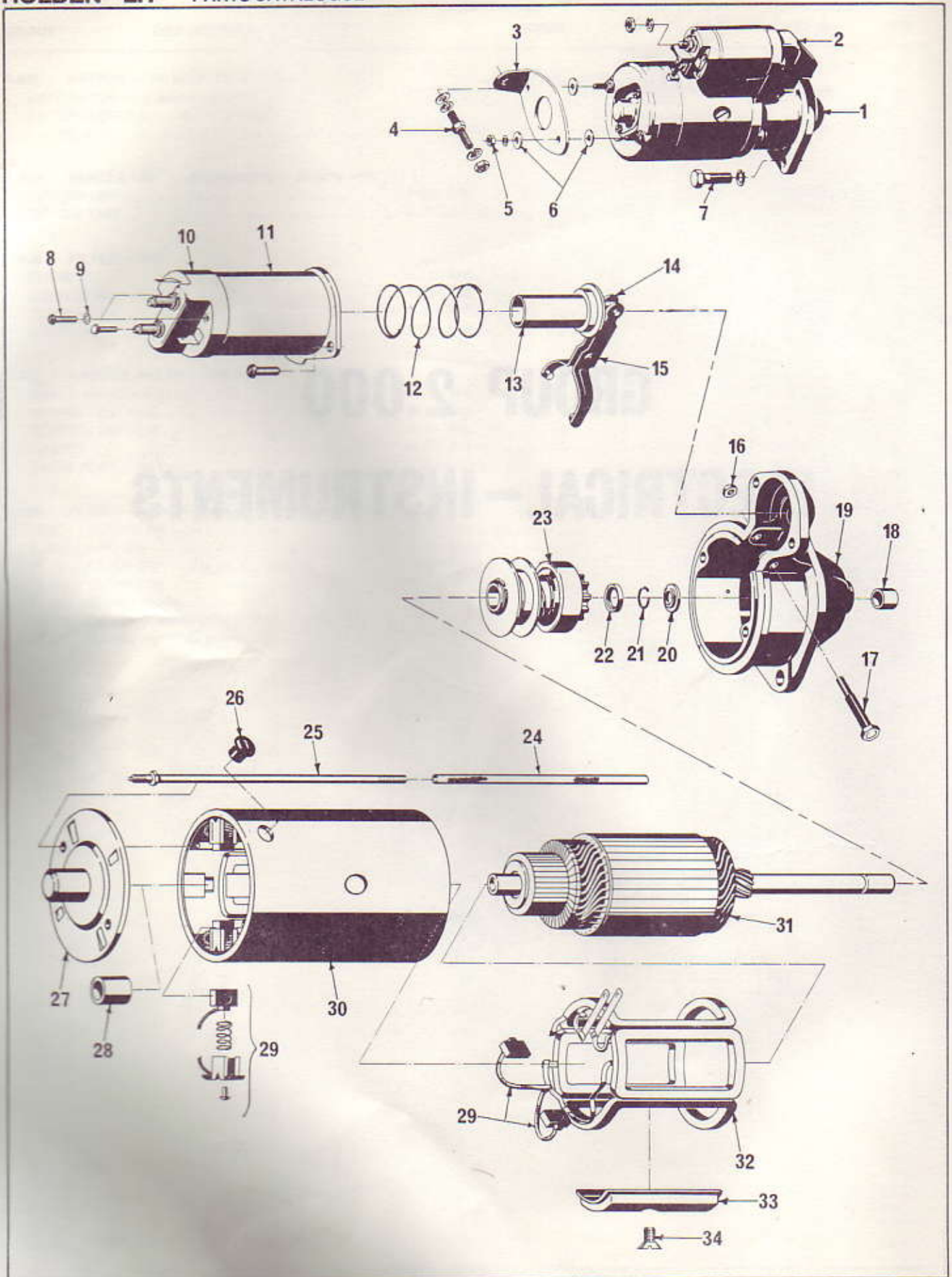
HOLDEN "LH" PARTS CATALOGUE

GROUP	DESCRIPTION	MODEL	SIDE	PART No.	QTY.
1.803	SWITCH — Oil pressure tell-tale				
	SWITCH - Warning lamp equipment	4 Cyl. Eng. <i>8954566 9001557</i>		4252506	1
	SWITCH ASSEMBLY - Warning lamp equipment	6, 8 Cyl. Eng.		7441302	1
1.803	SENDER UNIT — Oil pressure — Engine unit				
	SENDER UNIT	4 Cyl. Eng. <i>N/A</i>		9939801	1
	SENDER UNIT	6, 8 Cyl. Eng.		9932442	1
1.835	FILTER — Oil				
	ELEMENT	4 Cyl. Eng.		SD	1
	CONNECTOR - Element	4 Cyl. Eng.		650426	1
	FILTER ASSY.	6, 8 Cyl. Eng.		PF10	1
	ADAPTOR	6 Cyl. Eng.		7434874	1
1.837	GASKET, VALVE — Oil filter				
	BALL - Valve short circuit	4 Cyl. Eng.		2088009	1
	SPRING - Ball valve	4 Cyl. Eng.		638540	1
	SLEEVE - Ball valve	4 Cyl. Eng.		638520	1
	GASKET	6, 8 Cyl. Eng.		5574397	1
	VALVE ASSY. - By-pass	6, 8 Cyl. Eng.		5575416	1
1.928	PLUG — Cylinder head and block oil gallery				
	PLUG - 14.5 mm dia.	4 Cyl. Eng.		606702	1
	PLUG - 7 mm dia.	4 Cyl. Eng.		606710	6
	PLUG - 8.5 mm dia.	4 Cyl. Eng.		606711	2
	PLUG - 12.5 mm dia.	4 Cyl. Eng.		606564	3
	PLUG - Cylinder block	4 Cyl. Eng.		2060275	1
	PLUG - Cylinder block oil gallery, front	6, 8 Cyl. Eng.		7419064	1-3
	PLUG - Cylinder block oil gallery, rear	6, 8 Cyl. Eng.		444782	1-3



GROUP 2.000

ELECTRICAL—INSTRUMENTS

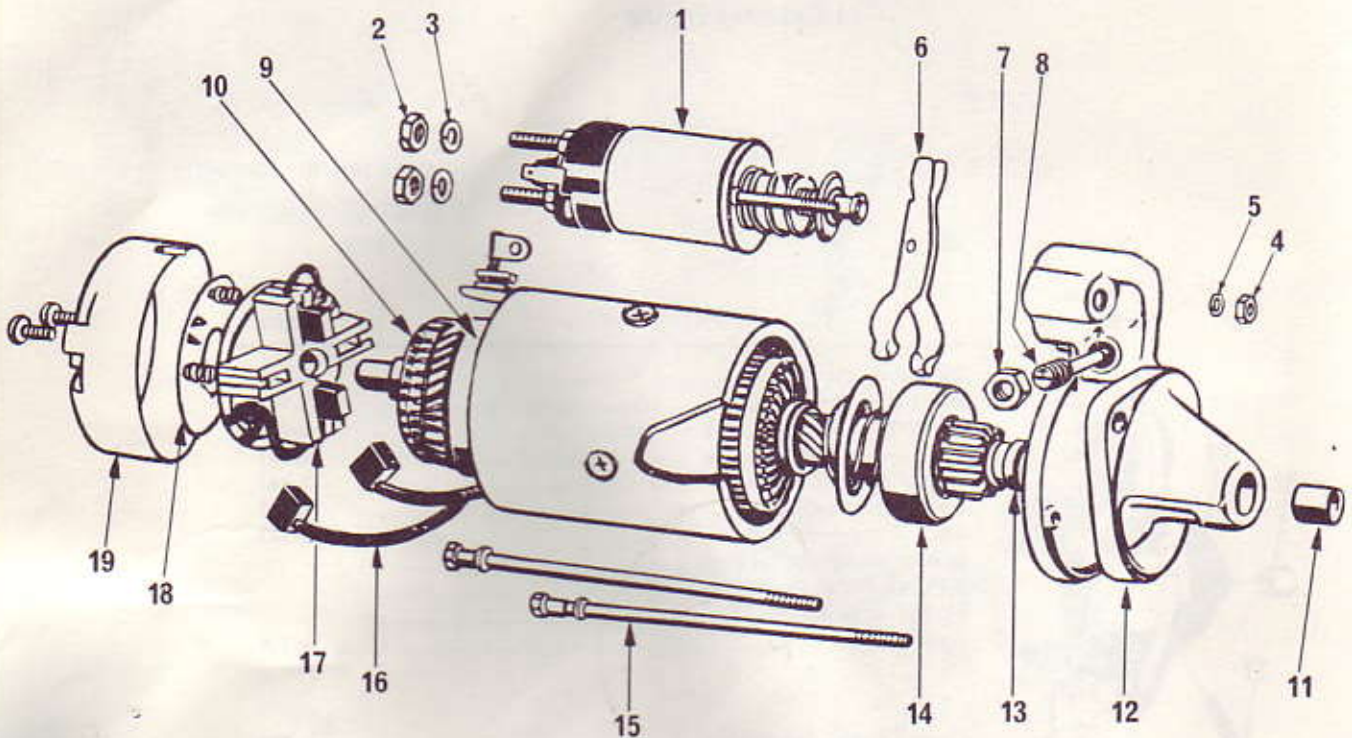


STARTER MOTOR – DELCO REMY

4 Cylinder Engine

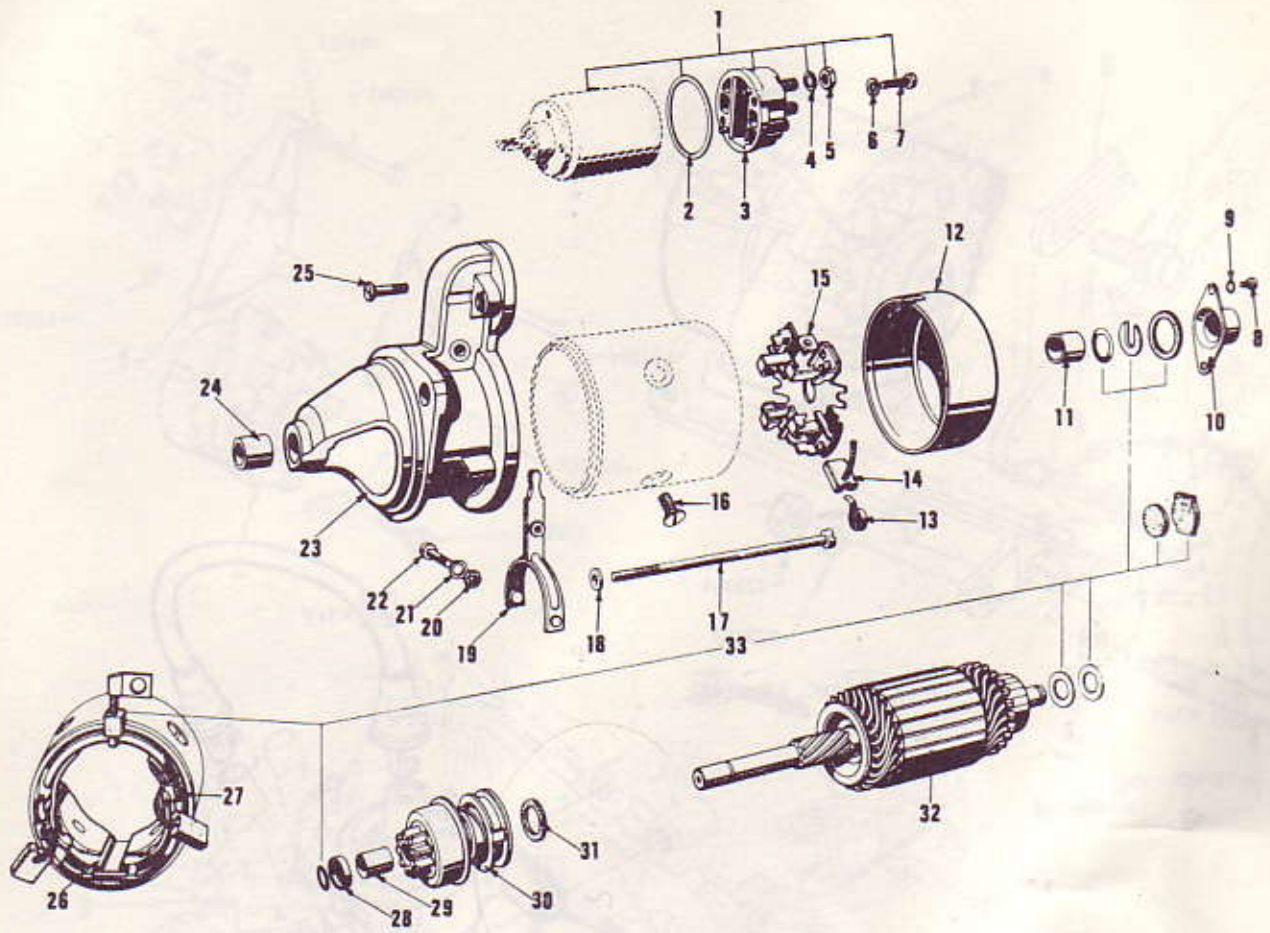
ILLUSTRATION OPPOSITE

ILLUS. REF. NO.	PART NAME	GROUP
1.	MOTOR ASSEMBLY	2.041
2.	SWITCH – Solenoid	2.100
3.	SUPPORT – Starter to engine	2.041
4.	STUD – Support to engine	2.041
5.	NUT – Support to starter	2.041
6.	WASHER – Support to starter	2.041
7.	BOLT – Starter motor	2.041
8.	SCREW – Cover attaching	
9.	WASHER – Cover attaching screw	
10.	COVER – Switch	
11.	CASE & COIL	N.S.S.
12.		
13.		
14.		
15.	SHIFT LEVER – Repair kit	2.100
16.		
17.		
18.	BUSHING – Drive end	2.083
19.	HOUSING	2.085
20.		
21.	STOP, COLLAR, RING – Repair kit	2.096
22.		
23.	DRIVE ASSEMBLY	2.086
24.		
25.	BOLT SET – Through	2.077
26.		
26.	INSULATOR – Terminal to solenoid	
27.	FRAME	
28.	BUSHING – Commutator end	2.083
29.	BRUSH SET	2.051
30.	HOUSING	N.S.S.
31.	ARMATURE	2.043
32.	COIL SET	2.049
33.	SHOE POLE	
34.	SCREW – Pole shoe	



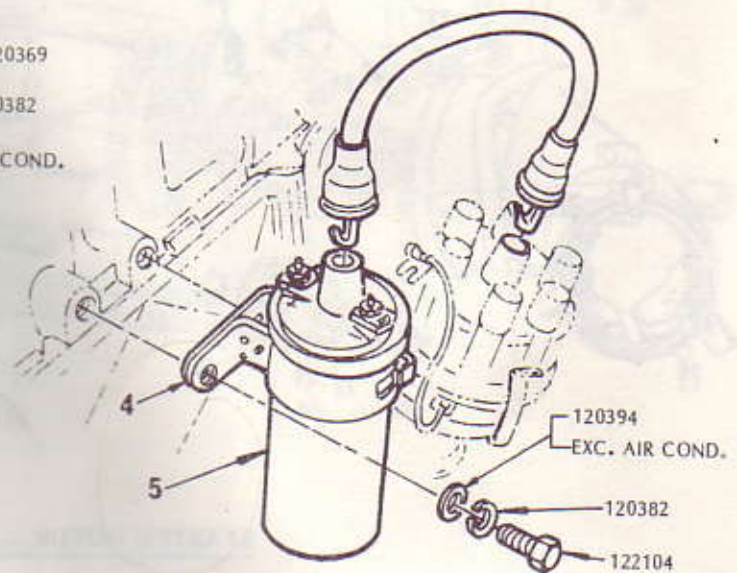
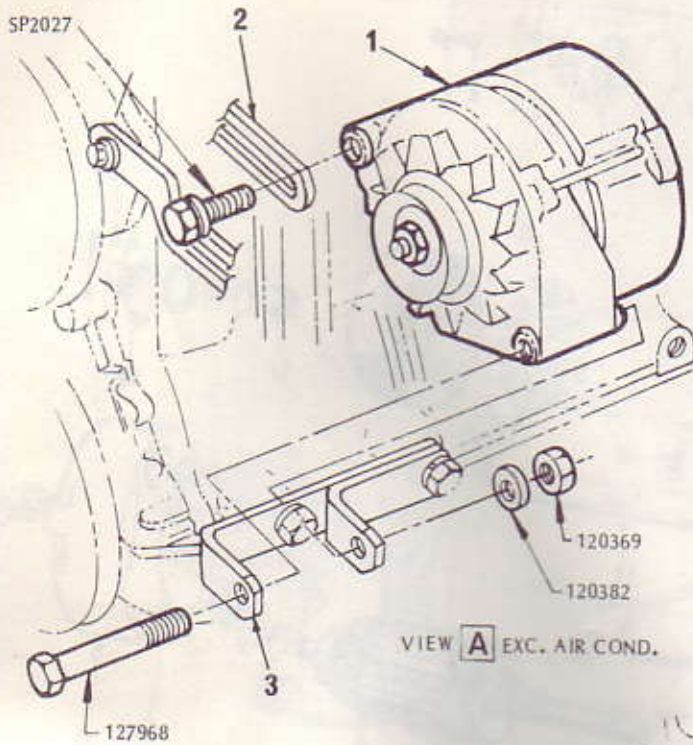
STARTER MOTOR — Lucas
6 CYLINDER ENGINE

ILLUS. REF. NO.	PART NAME	GROUP	ILLUS. REF. NO.	PART NAME	GROUP
1 - 20.	STARTER MOTOR ASSY.	2.041	11.	BUSHING — Drive end	2.083
1.	SWITCH ASSY. — Solenoid	2.100	12.	HOUSING — Starter motor drive	2.085
2.	NUT — Terminal	2.100	13.	COLLAR — Drive end	2.096
3.	WASHER — Terminal nut	2.100	14.	DRIVE ASSY.	2.086
4.	NUT — Switch attaching	2.100	15.	BOLT — Starter motor through	2.077
5.	WASHER — Switch attaching nut	2.100	16.	BRUSH SET — Starter motor	2.051
6.	LEVER — Starter motor shift	2.108	17.	HOLDER — Starter motor brush	2.052
7.	NUT — Pivot pin	2.108	18.	SPRING & PLATE ASSY. — Starter motor	
8.	PIN — Shaft lever pivot	2.108		brush	2.053
9.	COIL SET	2.049	19.	FRAME ASSY. — Commutator end	2.067
10.	ARMATURE	2.043	20.	SCREW — Attaching	2.052



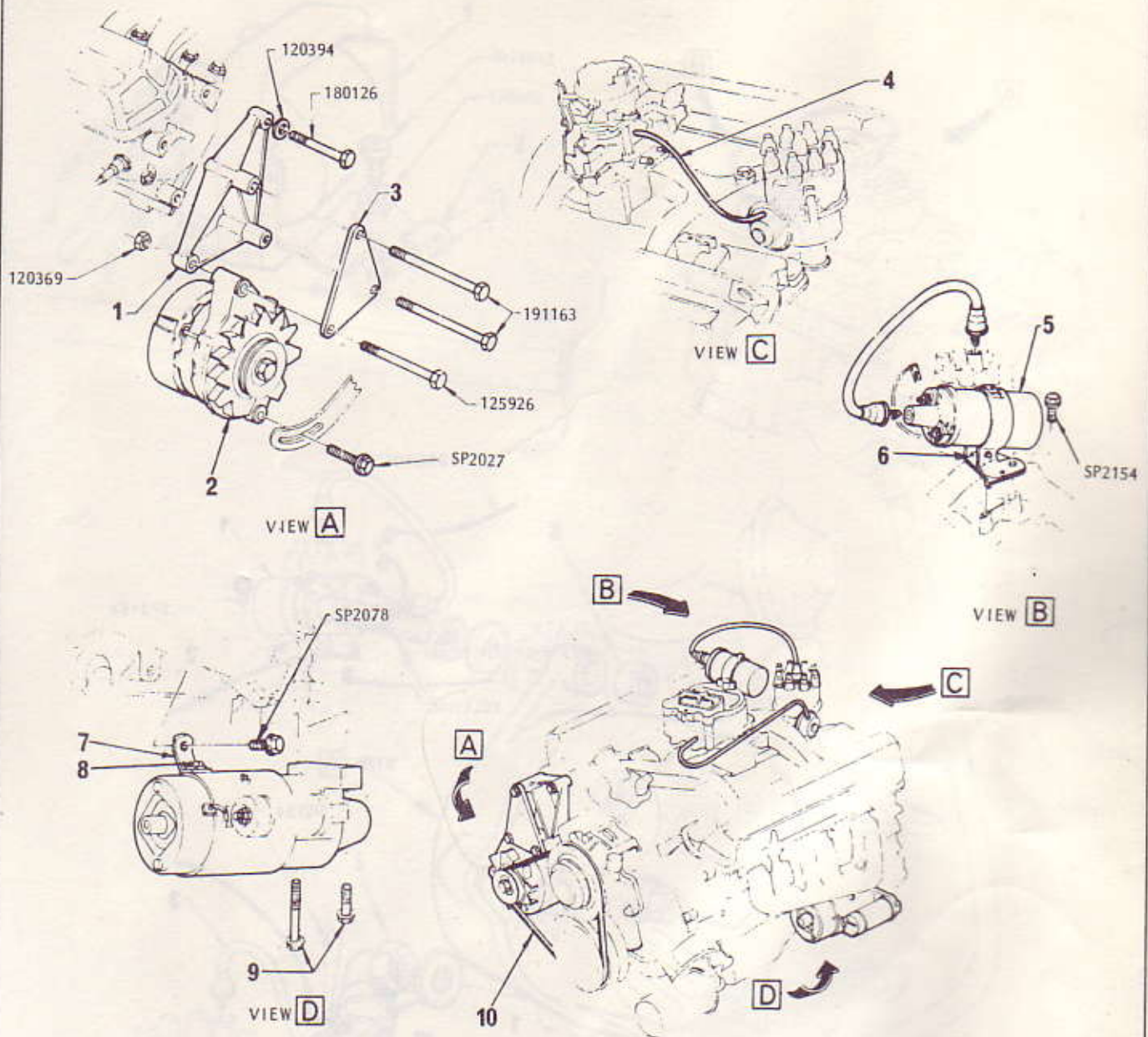
STARTER MOTOR - Bosch

ILLUS. REF. NO.	PART NAME	GROUP	ILLUS. REF. NO.	PART NAME	GROUP
1-33	STARTER MOTOR ASSY.	2.041	17.	BOLT - Through	2.077
1.	SWITCH - Solenoid	2.100	18.	WASHER - Through bolt	2.077
2.	GASKET - Solenoid	2.102	19.	LEVER	2.108
3.	COVER - Solenoid switch	2.102	20.	NUT	2.108
4.	WASHER - Main terminal	2.102	21.	WASHER	2.108
5.	NUT - Contact bolt	2.102	22.	SCREW	2.108
6.	WASHER - Cover attaching screw	2.102	23.	HOUSING	2.085
7.	SCREW - Cover attaching	2.102	24.	BUSHING - Drive end	2.083
8.	SCREW - Bearing cap	2.063	25.	SCREW - Solenoid switch attaching	2.100
9.	WASHER - Bearing cap screw	2.063	26.	COIL ASSEMBLY	2.049
10.	CAP - Bearing	2.063	27.	INSULATOR	2.049
11.	BUSHING - Commutator end	2.083	28.	RING - Stop	2.096
12.	FRAME - Commutator end	2.067	29.	BUSHING - Drive	2.087
13.	SPRING - Brush	2.053	30.	DRIVE ASSEMBLY	2.086
14.	BRUSH SET	2.051	31.	BUFFER - Drive	2.087
15.	PLATE - Brush holder	2.052	32.	ARMATURE	2.043
16.	SCREW - Pole shoe	2.077	33.	SUNDRY PARTS SET	2.080



GENERATOR and COIL
6 Cyl. Eng.

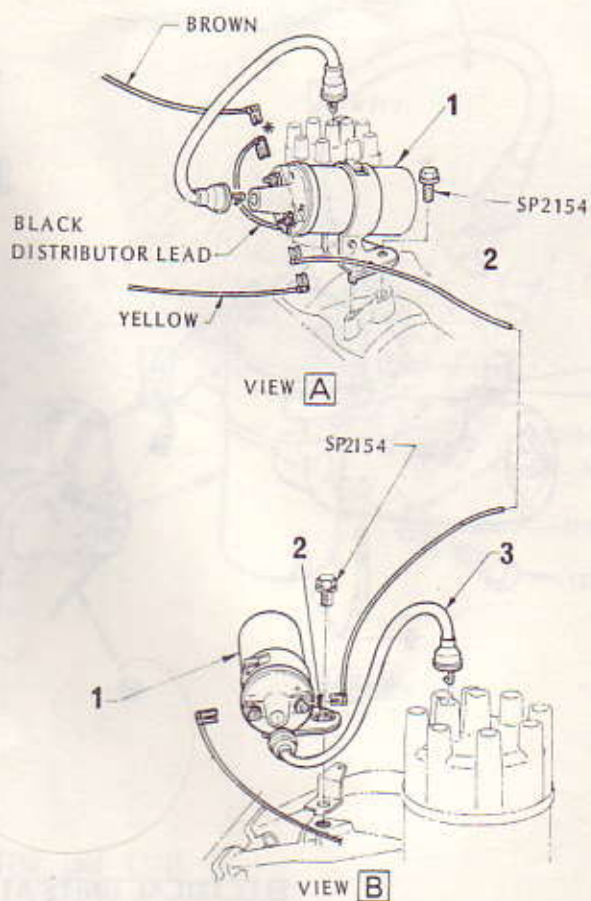
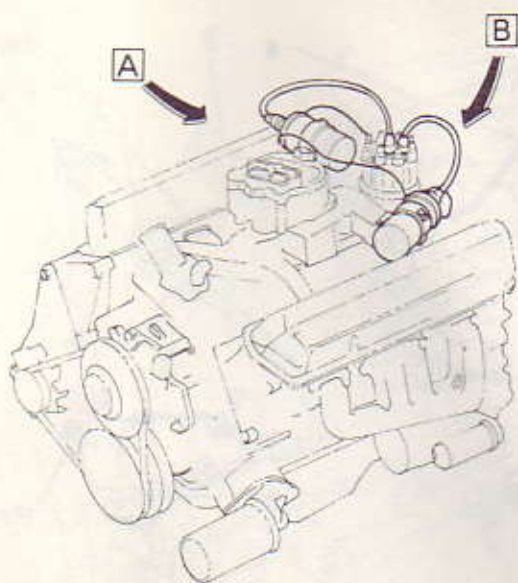
ILLUS. REF. NO.	PART NAME	GROUP	ILLUS. REF. NO.	PART NAME	GROUP
1.	GENERATOR ASSEMBLY	2.275	4.	BRACKET - Ignition coil	2.170
2.	BRACE - Generator	2.317	5.	COIL ASSEMBLY - Ignition	2.170
3.	BRACKET ASSEMBLY - Generator mounting	2.277			



ELECTRICAL UNITS ATTACHING PARTS

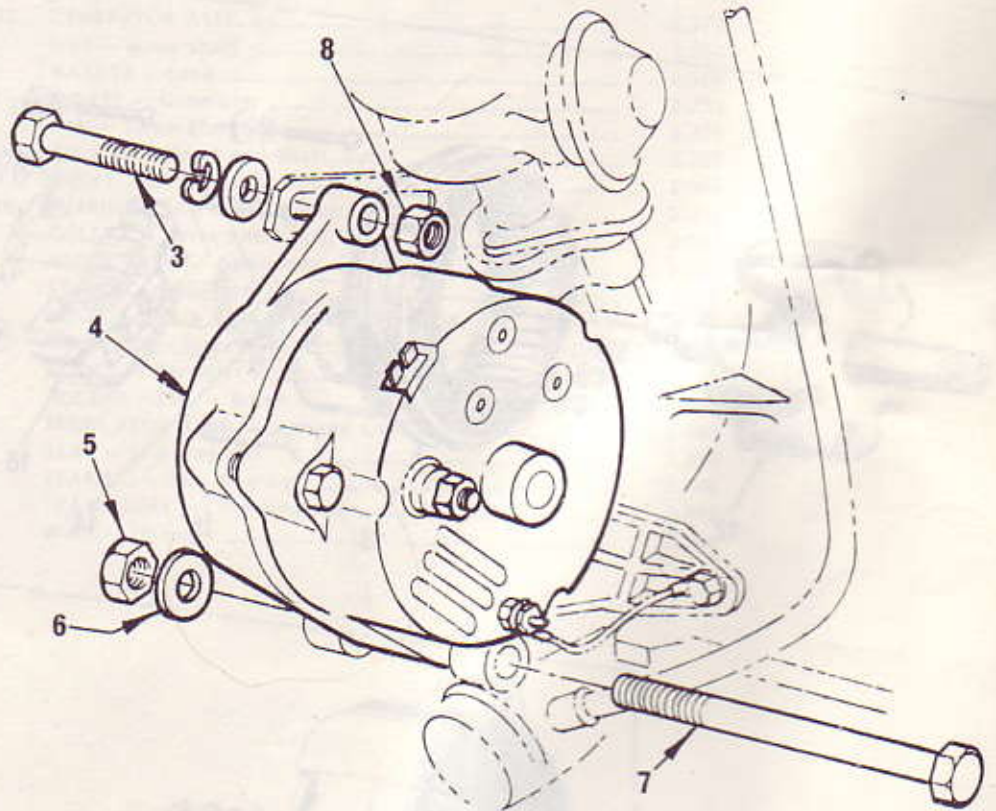
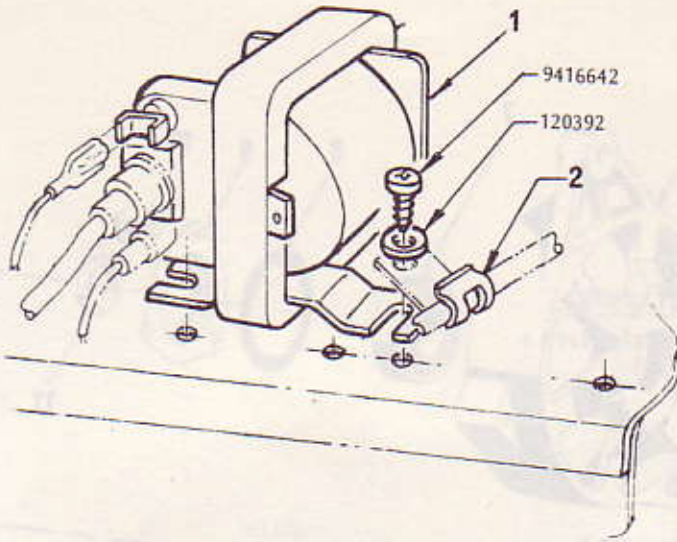
8 Cylinder Engine exc. L34 Option

ILLUS. REF. NO.	PART NAME	GROUP	ILLUS. REF. NO.	PART NAME	GROUP
1.	SUPPORT - Generator rear	2.277	7.	BRACKET - Starter motor steady	2.041
2.	GENERATOR ASSEMBLY	2.275	8.	BOLT - Steady bracket to starter motor	2.041
3.	BRACKET - Generator mounting front	2.277	9.	BOLT - Starter motor	2.041
4.	HOSE - Spark control	2.424	10.	BELT - Fan & generator	1.066
5.	COIL ASSEMBLY - Ignition	2.170			
6.	BRACKET & SCREW ASSY. - Ignition coil ..	2.170			



COIL and ATTACHING PARTS
L34 OPTION

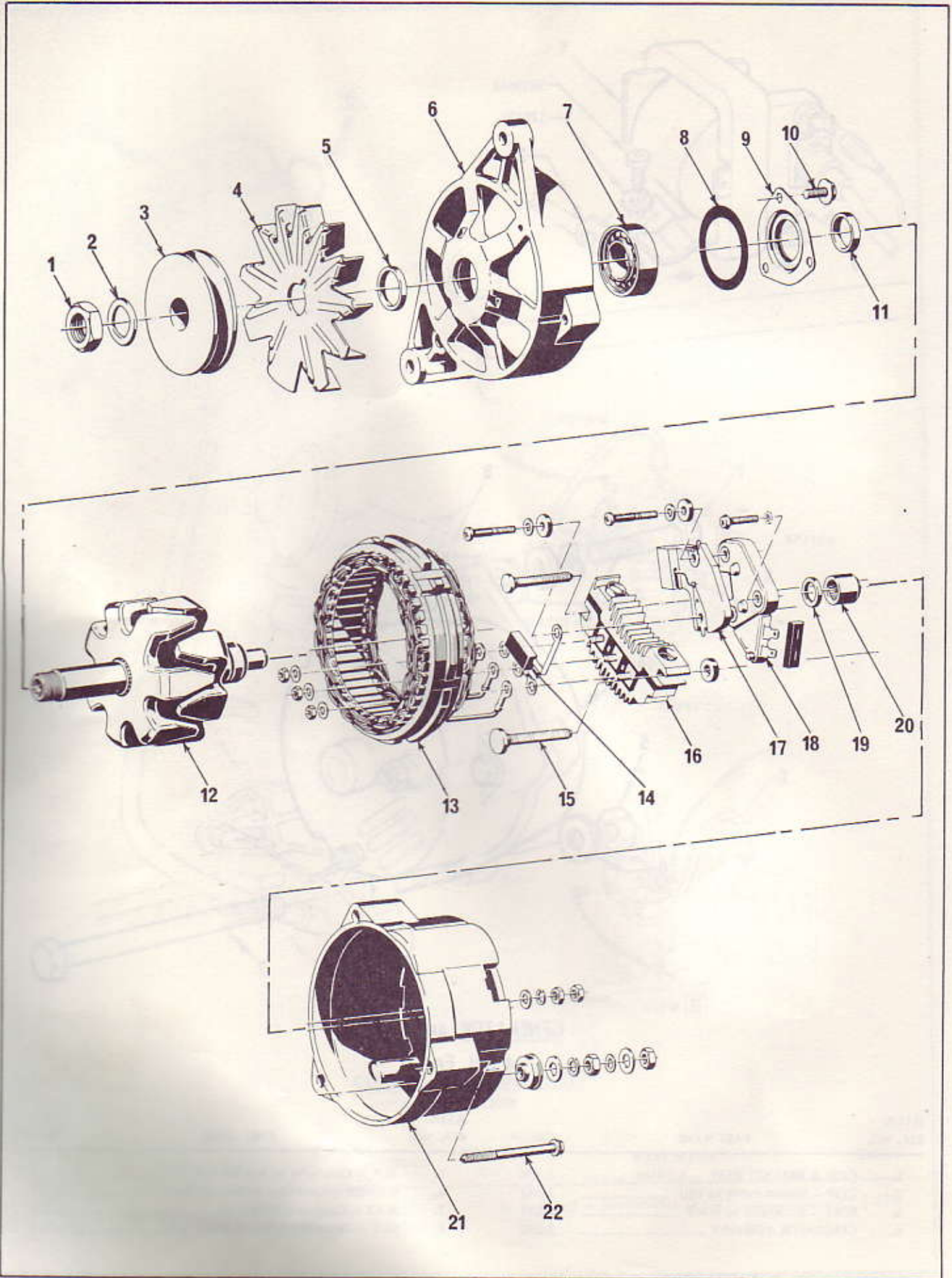
ILLUS. REF. NO.	PART NAME	GROUP	ILLUS. REF. NO.	PART NAME	GROUP
1.	COIL ASSEMBLY - Ignition	2.170	3.	LEAD - Distributor to coil	2.239
2.	BRACKET & SCREW ASSY. - Ignition coil	2.170			



GENERATOR and COIL

4 Cyl. Eng.

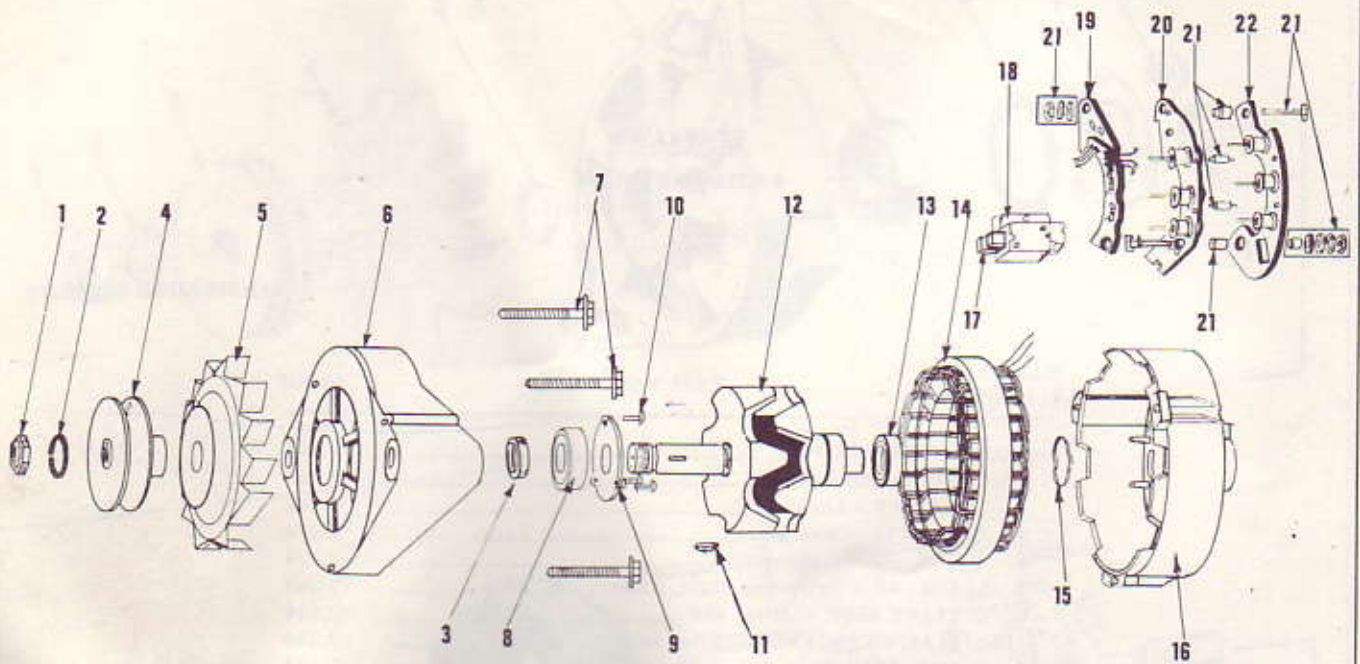
ILLUS. REF. NO.	PART NAME	GROUP	ILLUS. REF. NO.	PART NAME	GROUP
1.	COIL & BRACKET ASSY. — Ignition	2.170	5.	NUT — Generator to bracket bolt	2.277
2.	CLIP — Starter cable to coil	2.342	6.	WASHER — Generator to bracket bolt	2.277
3.	BOLT — Generator to brace	2.317	7.	BOLT — Generator to bracket	2.277
4.	GENERATOR ASSEMBLY	2.275	8.	NUT — Generator to brace bolt	2.317



GENERATOR
4 CYLINDER ENGINE

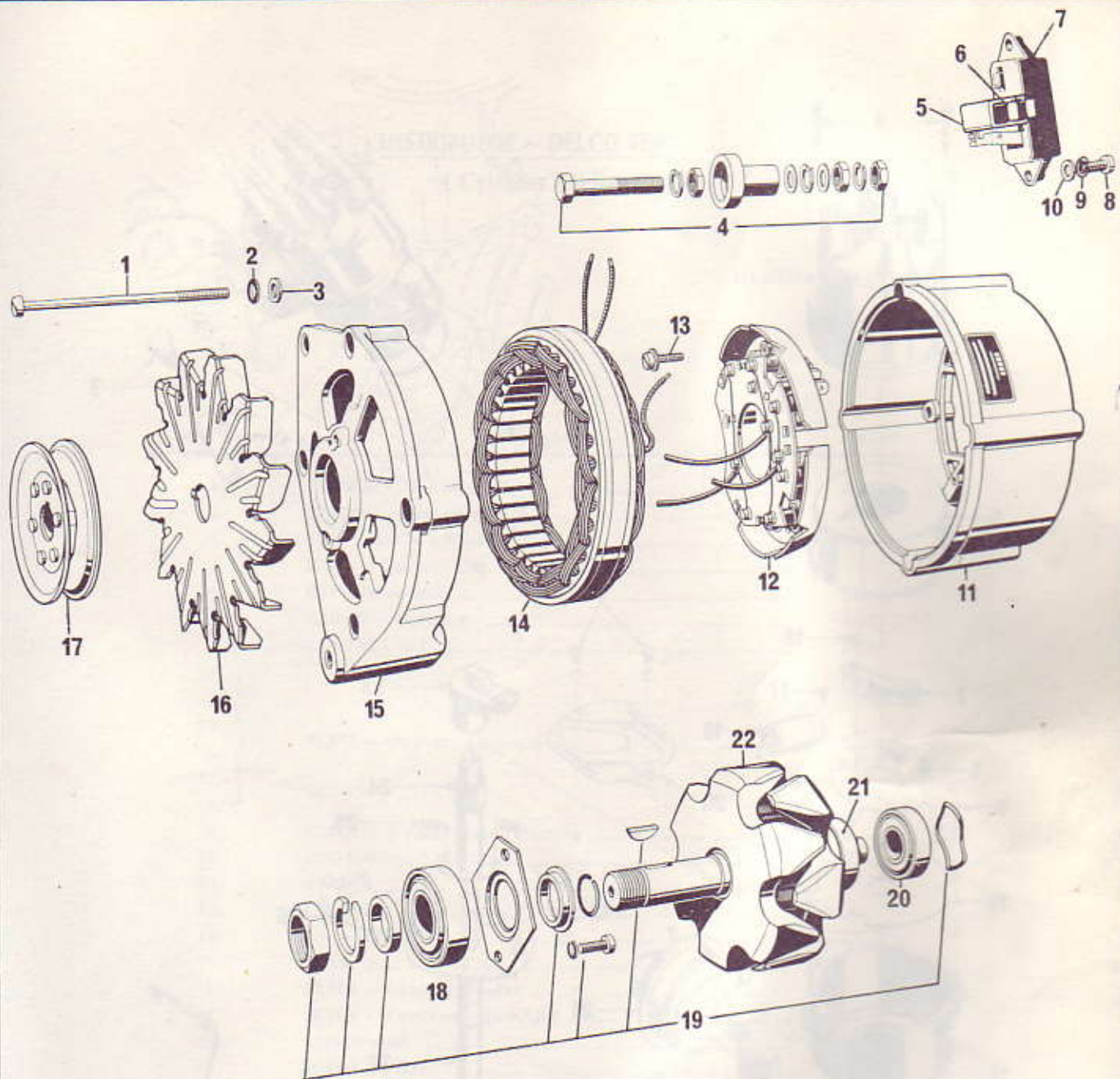
ILLUSTRATION OPPOSITE

ILLUS. REF. NO.	PART NAME	GROUP
1 - 22.	GENERATOR ASSY.	2.275
1.	NUT - Rotor shaft	2.280
2.	WASHER - Lock	2.280
3.	PULLEY - Generator	2.274
4.	FAN - Generator	2.274
5.	COLLAR - Drive end shaft, outer	2.307
6.	FRAME ASSY. - Drive end	2.306
7 - 10.	BEARING PACKAGE - Drive end	2.306
11.	COLLAR - Drive end shaft, inner	2.307
12.	ROTOR ASSY. - Generator	2.279
13.	STATOR - Generator	2.310
14.	PLATE & LEAD ASSY. - With three diodes	2.287
15.	TERMINAL - Negative	2.289
16.	BRIDGE - Rectifier	2.289
17.	HOLDER ASSY. - Brush	2.291
18.	REGULATOR ASSY. - Voltage and current	2.500
19.	SEAL - Slip ring end	2.298
20.	BEARING - Slip ring end	2.298
21.	FRAME ASSY. - Slip ring end	2.297
22.	BOLT - Through	2.316



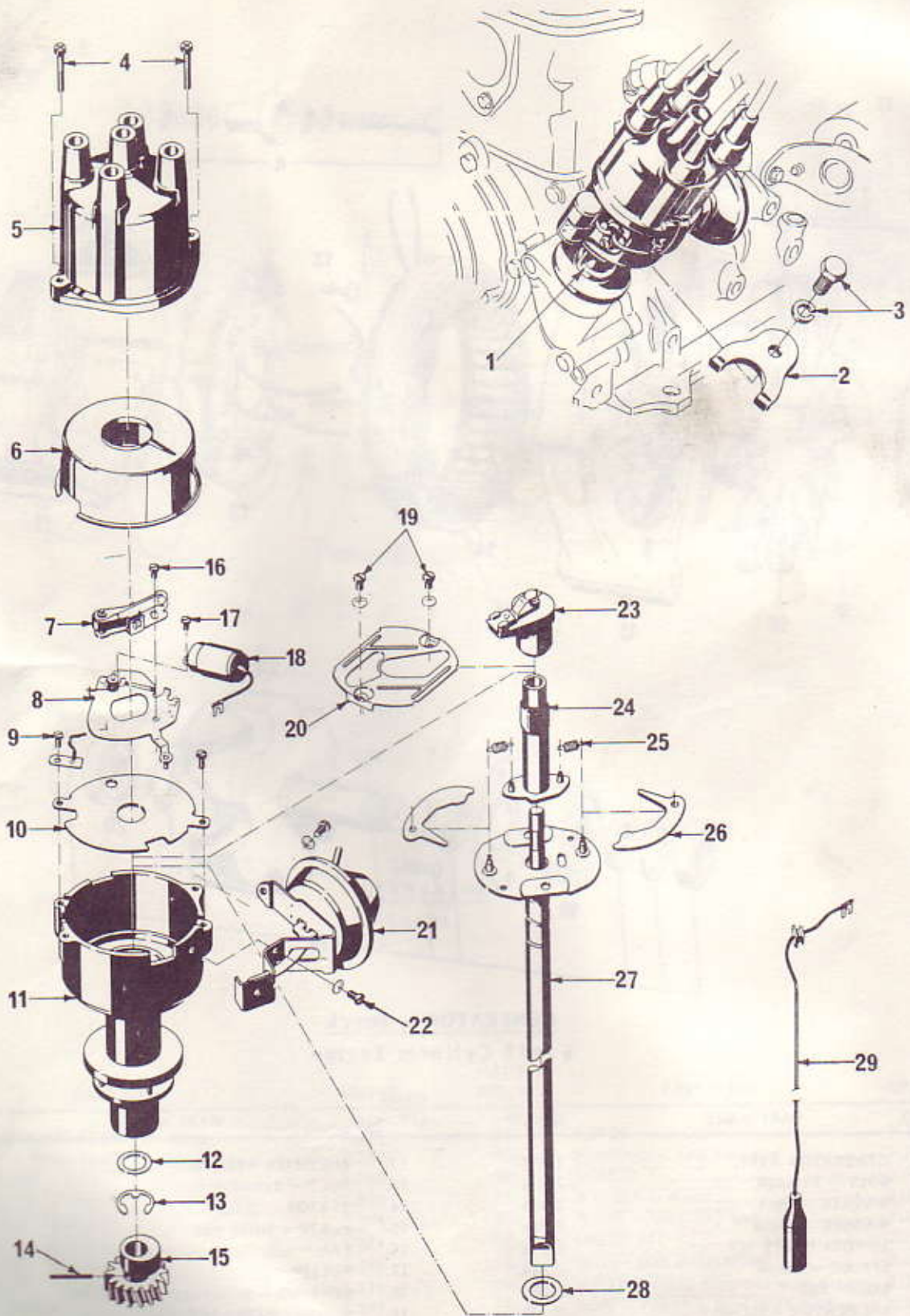
GENERATOR
Lucas

ILLUS. REF. NO.	PART NAME	GROUP	ILLUS. REF. NO.	PART NAME	GROUP
1-22	GENERATOR ASSY,	2.275	12.	ROTOR	2.279
1.	NUT - Rotor shaft	2.280	13.	BEARING - Slip ring end	2.298
2.	WASHER - Lock	2.280	14.	STATOR	2.310
3.	COLLAR - Distance	2.307	15.	WASHER - Wave.....	2.297
4.	PULLEY ASSEMBLY	2.274	16.	PLATE - Slip ring end	2.297
5.	FAN - Generator	2.274	17.	BRUSH SET	2.285
6.	PLATE - Drive end	2.305	18.	BRUSH BOX MOULDING	2.291
7.	BOLT - Through	2.316	19.	PLATE - Field terminal with diodes	2.289
8.	BEARING - Drive end	2.307	20.	SINK - Positive heat with diodes ..	2.289
9.	PLATE - Bearing retainer	2.307	21.	SUNDRY PARTS SET - Heat sink mtg.	2.289
10.	SCREW - Bearing retainer plate	2.307	22.	SINK - Negative heat with diodes ..	2.289
11.	KEY - Woodruff	2.279			



GENERATOR – Bosch
6 and 8 Cylinder Engine

ILLUS. REF. NO.	PART NAME	GROUP	ILLUS. REF. NO.	PART NAME	GROUP
1-22	GENERATOR ASSY.	2.275	12.	RECTIFIER ASSEMBLY	2.289
1.	BOLT – Through	2.316	13.	BOLT – Rectifier	2.289
2.	WASHER – Lock	2.316	14.	STATOR	2.310
3.	WASHER – Plain	2.316	15.	PLATE – Drive end	2.305
4.	SUNDRY PARTS SET	2.315	16.	FAN	2.274
5.	SPRING – Brush	2.286	17.	PULLEY	2.274
6.	BRUSH SET	2.285	18.	BEARING – Drive end	2.306
7.	REGULATOR ASSEMBLY	2.500	19.	SUNDRY PARTS SET – Drive end	2.307
8.	SCREW	2.500	20.	BEARING – Slip ring end	2.298
9.	WASHER – Lock	2.500	21.	SLIP RING	2.279
10.	WASHER – Flat	2.500	22.	RÖTOR	2.279
11.	PLATE – Slip ring end	2.297			

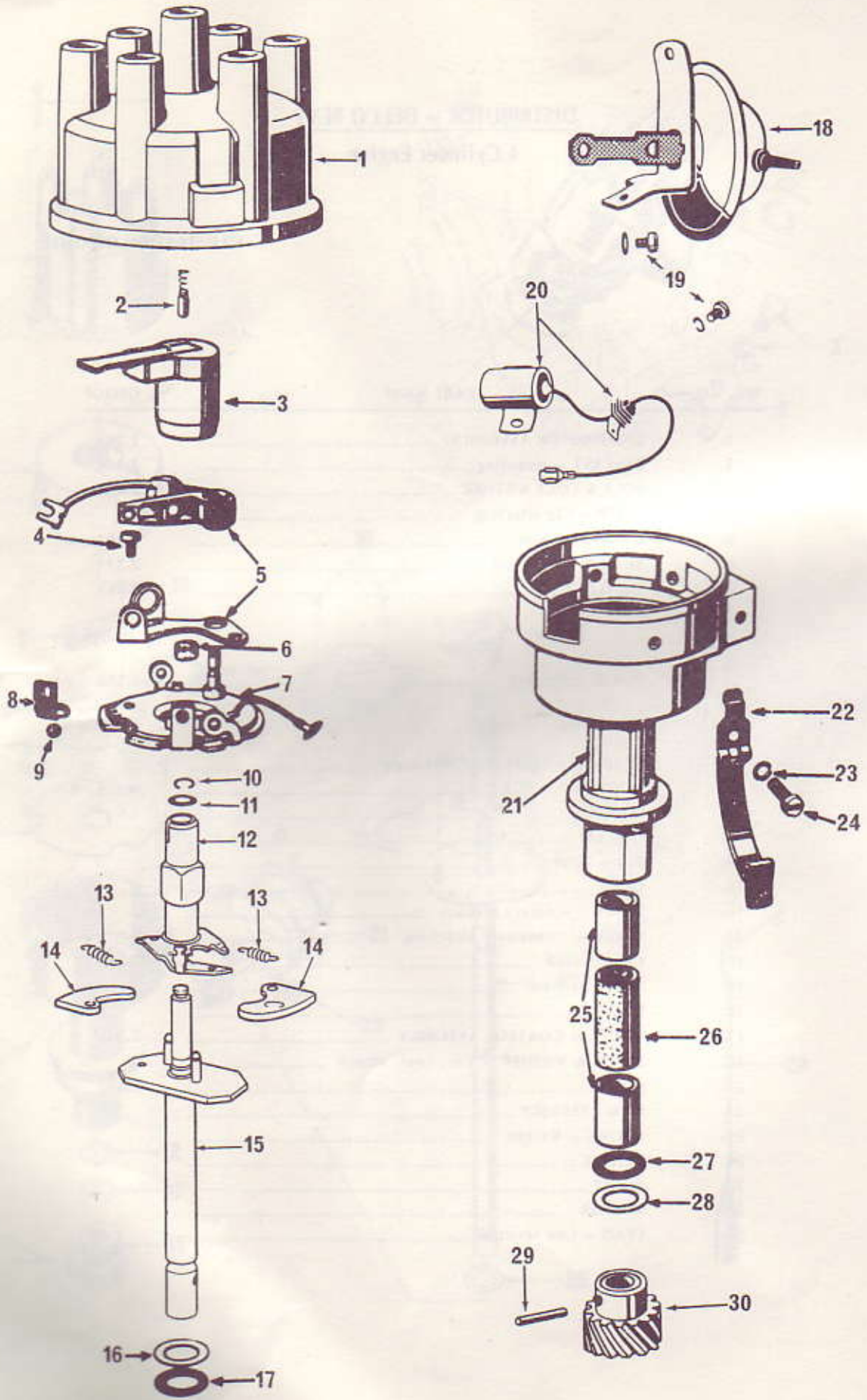


DISTRIBUTOR – DELCO REMY

4 Cylinder Engine

ILLUSTRATION OPPOSITE

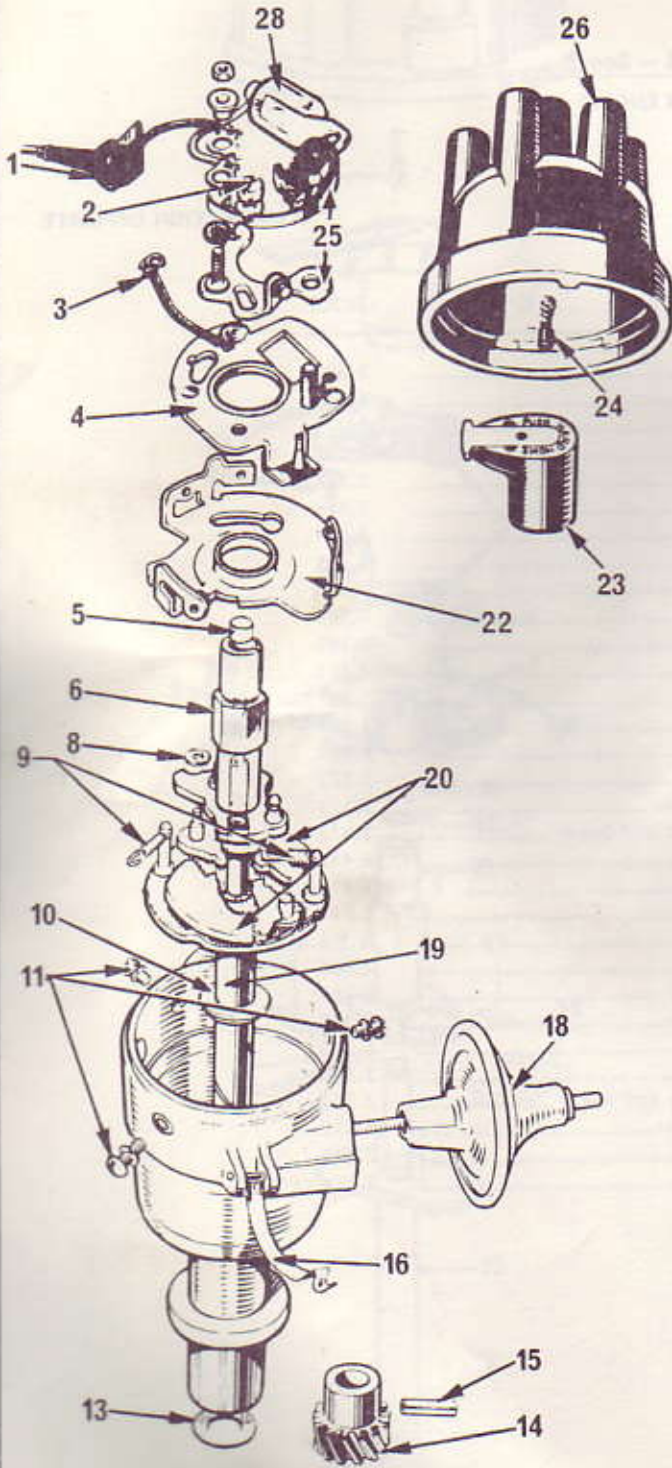
ILLUS. REF. NO.	PART NAME	GROUP
1.	DISTRIBUTOR ASSEMBLY	2.361
2.	BRACKET – Mounting	2.414
3.	BOLT & LOCK WASHER	2.414
4.	SCREW – Cap attaching	
5.	CAP – Distributor	2.367
6.	SHIELD – Moisture	2.371
7.	CONTACT SET	2.384
7.		
8.		
10.	} PLATE – Breaker	2.385
16.		
17.		
18.		
9.	SCREW – Breaker plate retaining	
11.	HOUSING	N.S.S.
12.	WASHER	
13.	CIRCLIP	
14.	PIN – Gear	
15.	GEAR	
16.	SCREW – Contact breaker	
17.	SCREW – Condenser attaching	
18.	CONDENSER	2.393
19.	SCREW – Plate	
20.	PLATE	
21.	VACUUM CONTROL ASSEMBLY	2.410
22.	SCREW & WASHER – Vac. cont. attach	
23.	ROTOR	2.382
24.	CAM ASSEMBLY	
25.	SPRING – Weight	
26.	WEIGHT	
27.	SHAFT	
28.	WASHER	
29.	LEAD – Low tension	



DISTRIBUTOR – Bosch
6 CYLINDER ENGINE

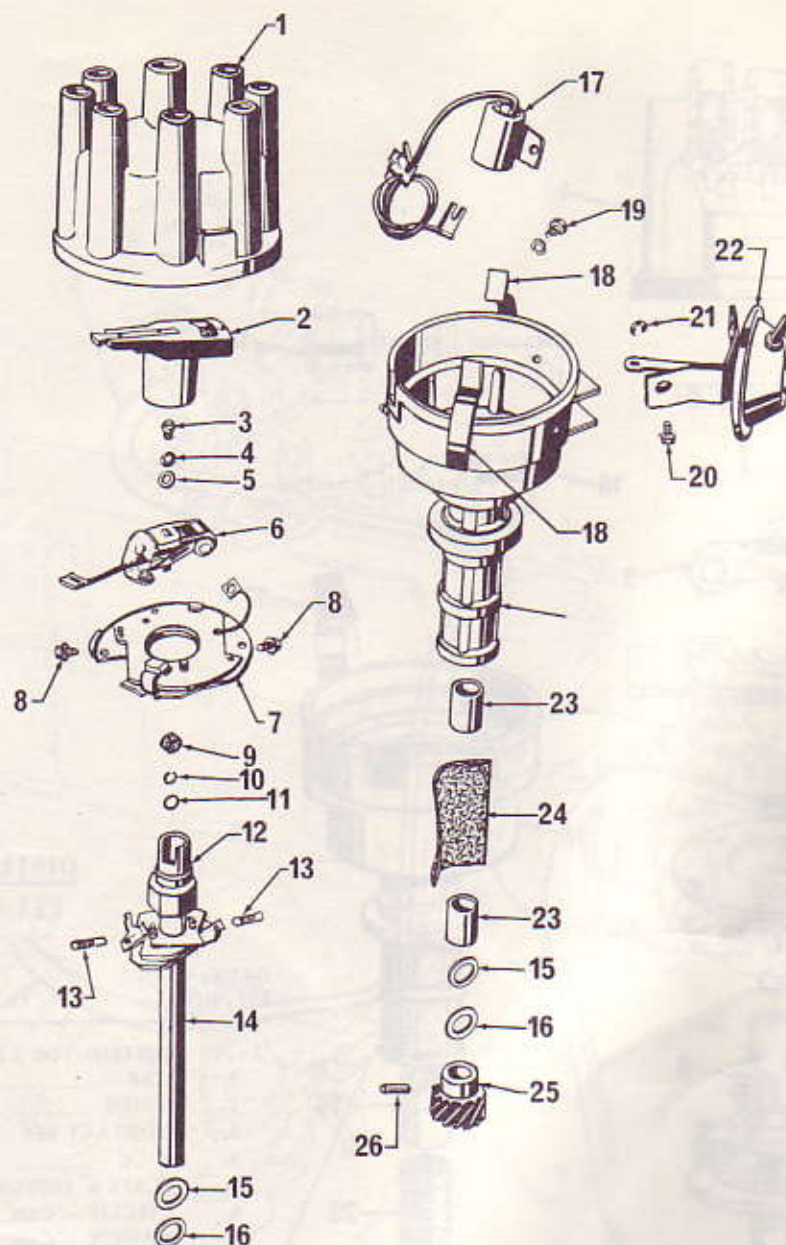
ILLUSTRATION OPPOSITE

ILLUS. REF. NO.	PART NAME	GROUP
1 – 30.	DISTRIBUTOR ASSY.	2.361
1.	CAP – Distributor	2.367
2.	BRUSH – Cap	2.370
3.	ROTOR	2.382
4.	SCREW – Contact breaker	2.387
5.	CONTACT SET	2.384
6.	WICK	2.364
7.	PLATE and SUPPORT ASSY.	2.385
8.	RETAINER – Plate ball	2.385
9.	BALL – Plate retainer	2.385
10.	CIRCLIP – Cam retainer	2.381
11.	WASHER – Cam retainer	2.381
12.	CAM	2.381
13.	SPRING	2.389
14.	WEIGHT	2.388
15.	SHAFT	2.372
16.	SHIM – Thrust, upper and lower	2.372
17.	WASHER – Thrust, fibre, upper and lower	2.372
18.	VACUUM CONTROL	2.410
19.	SCREW – Attaching.....	2.393/2.410
20.	CONDENSER	2.393
21.	HOUSING	N.S.S.
22.	SPRING	2.368
23.	WASHER – Support screw lock	2.385
24.	SCREW – Support	2.385
25.	BUSHING – Upper and lower	2.362
26.	FELT – Lubrication	2.362
27.	WASHER – Thrust, fibre, upper and lower	2.372
28.	SHIM – Thrust, upper and lower	2.372
29.	PIN – Slotted spring	2.379
30.	GEAR PACKAGE	2.374



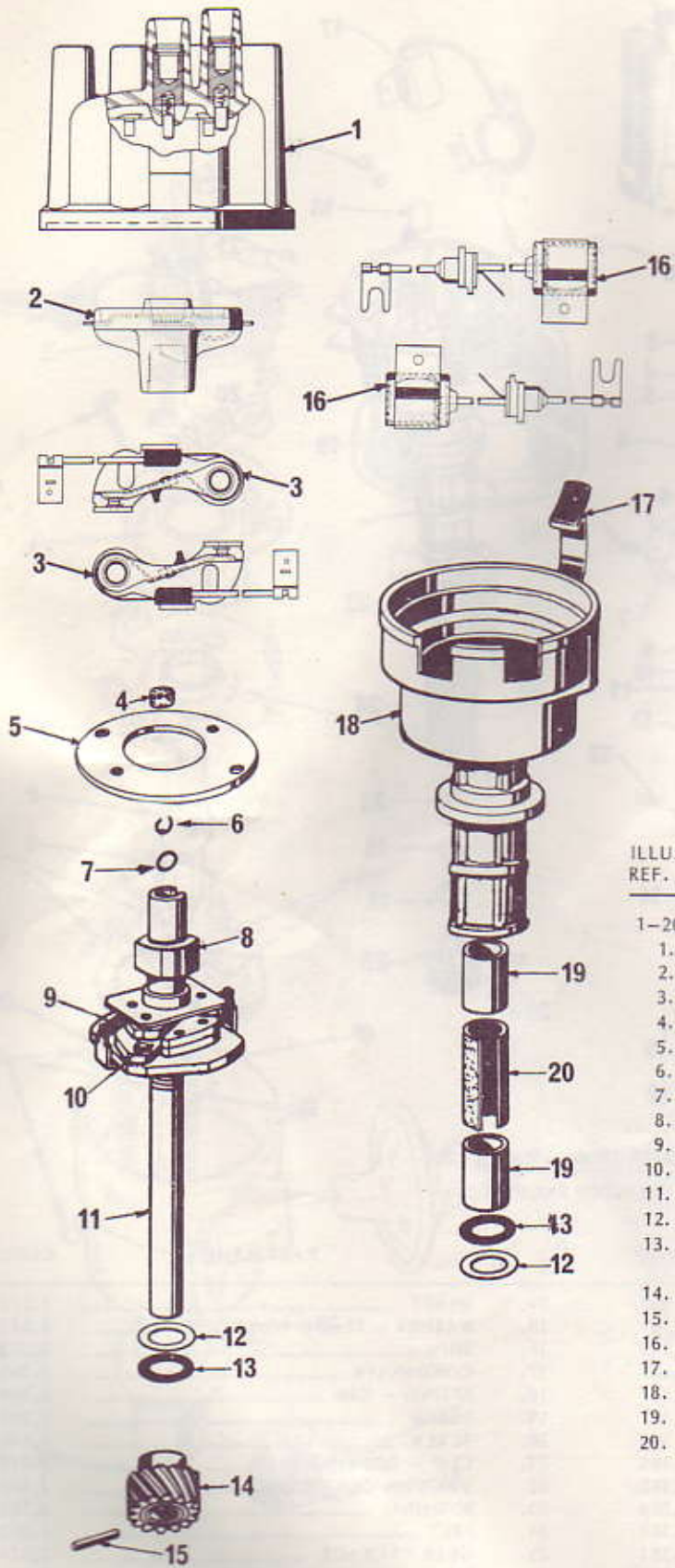
DISTRIBUTOR - Lucas
6 Cylinder Engine

ILLUS. REF. NO.	PART NAME	GROUP
1-28.	DISTRIBUTOR ASSY.	2.361
1.	LEAD - To coil	2.400
2.	SCREW - Contact breaker.....	2.387
3.	LEAD - Ground	2.400
4.	PLATE - Breaker base	2.385
5.	WICK	2.364
6.	CAM	2.381
8.	WASHER - Cam retaining nut	2.381
9.	SPRING SET - Weight	2.389
11.	SCREW - Breaker plate fixing	2.385
13.	WASHER - Thrust	2.372
14.	GEAR PACKAGE	2.374
15.	PIN - Gear	2.379
16.	SPRING - Cap	2.368
18.	VACUUM CONTROL ASSEMBLY	2.410
19.	SHAFT	2.372
20.	WEIGHT	2.388
22.	PLATE - Breaker bearing	2.385
23.	ROTOR	2.382
24.	BRUSH - Cap	2.370
25.	CONTACT SET	2.384
26.	CAP	2.367
28.	CONDENSER	2.393



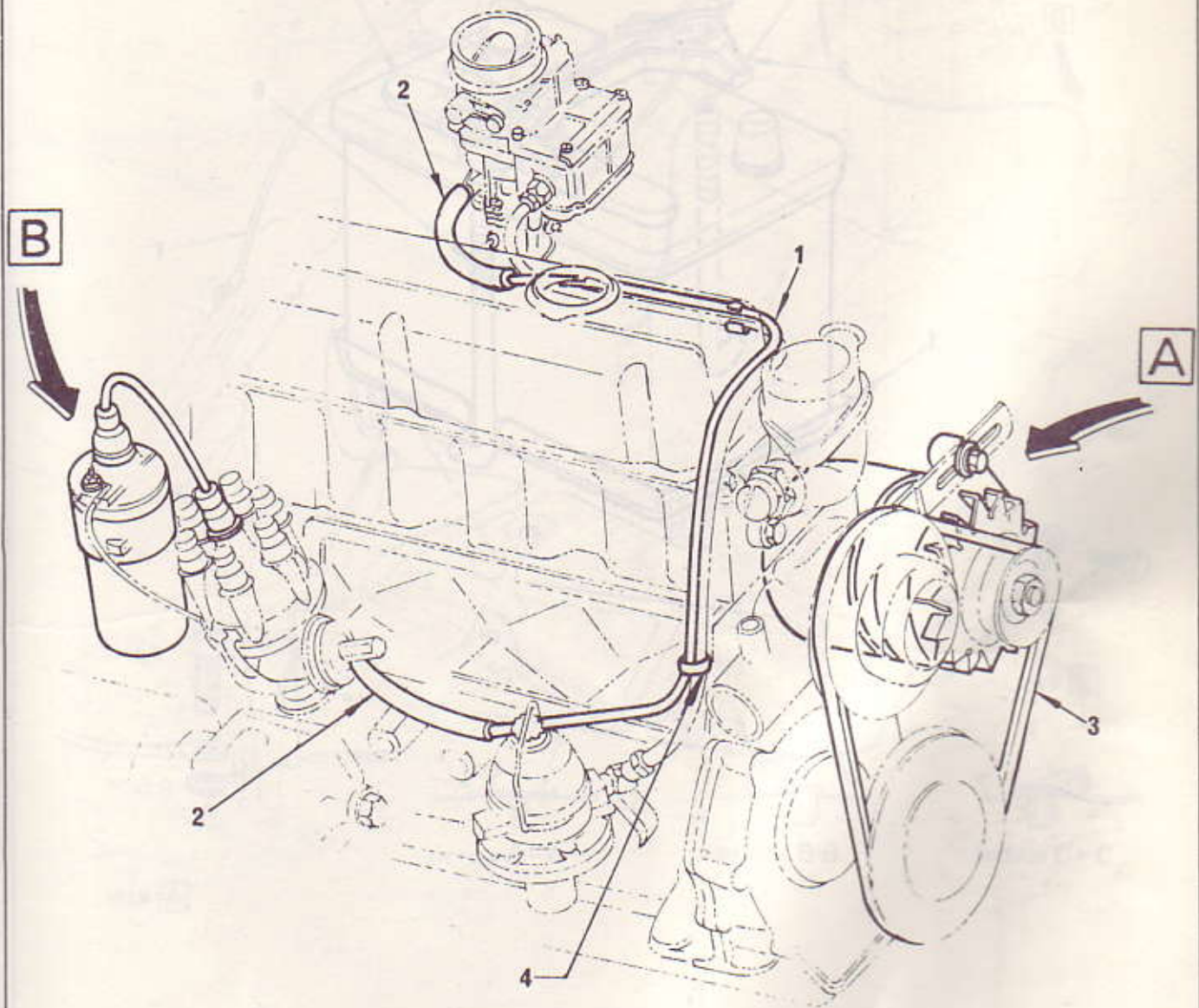
DISTRIBUTOR – Bosch
8 CYLINDER ENGINE

ILLUS. REF. NO.	PART NAME	GROUP	ILLUS. REF. NO.	PART NAME	GROUP
1 – 26	DISTRIBUTOR ASSY.	2.361	14.	SHAFT	2.372
1.	CAP	2.367	15.	WASHER – Thrust, fibre	2.372
2.	ROTOR	2.382	16.	SHIM	2.372
3.	SCREW – Contact breaker	2.387	17.	CONDENSER	2.393
4.	WASHER – Screw lock	2.387	18.	SPRING – Cap	2.368
5.	WASHER – Plain	2.387	19.	SCREW	2.393
6.	CONTACT SET	2.384	20.	SCREW	2.410
7.	PLATE and SUPPORT ASSY.	2.385	21.	CLIP – Rod attaching	2.410
8.	SCREW – Plate support	2.385	22.	VACUUM CONTROL	2.410
9.	WICK	2.364	23.	BUSHING	2.362
10.	CIRCLIP – Cam retainer	2.381	24.	FELT	2.362
11.	WASHER – Cam retainer	2.381	25.	GEAR PACKAGE	2.374
12.	CAM	2.381	26.	PIN – Gear	2.379
13.	SPRING – Weight	2.389			



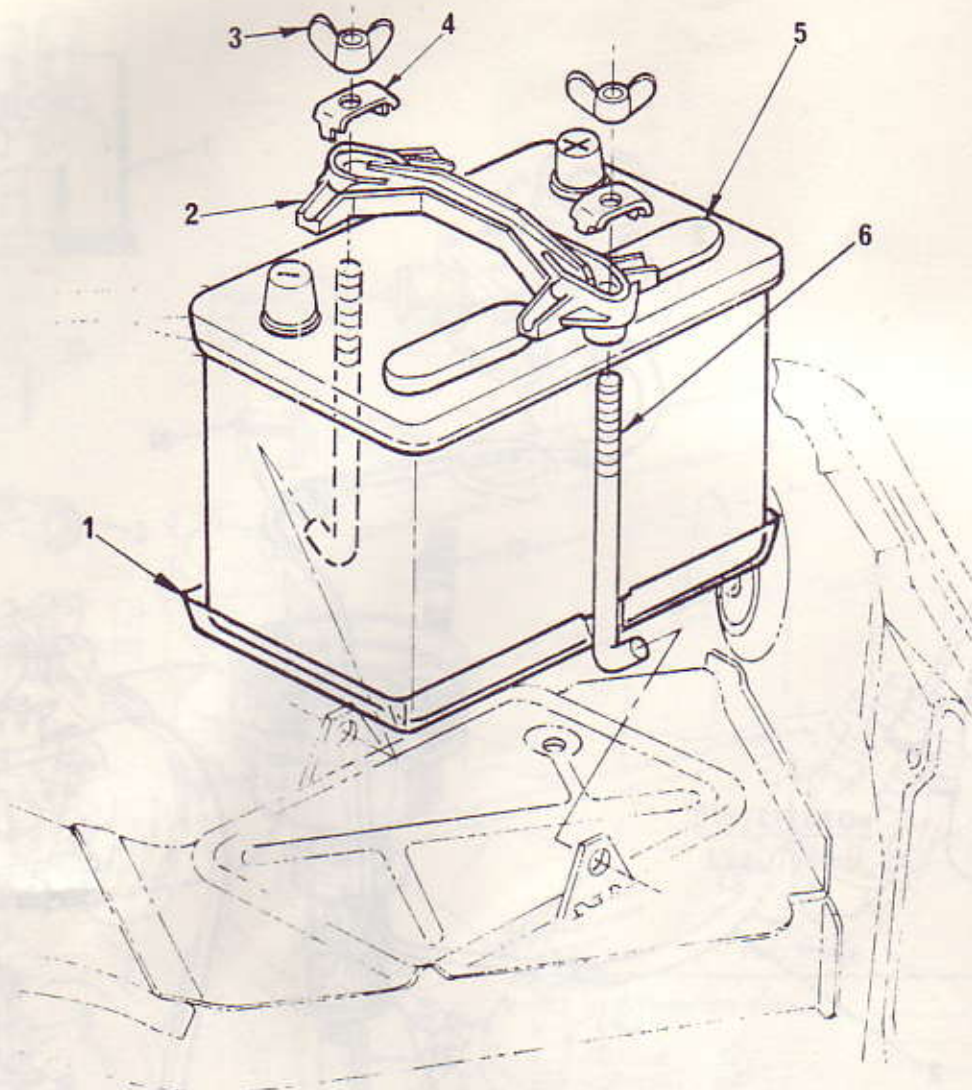
DISTRIBUTOR
L34 Option

ILLUS. REF. NO.	PART NAME	GROUP
1-20.	DISTRIBUTOR ASSY.	2.361
1.	CAP	2.367
2.	ROTOR	2.382
3.	CONTACT SET	2.384
4.	WICK	2.364
5.	PLATE & SUPPORT	2.385
6.	CIRCLIP - Cam	2.381
7.	WASHER - Cam	2.381
8.	CAM	2.381
9.	SPRING - Weight	2.389
10.	WEIGHT	2.388
11.	SHAFT	2.372
12.	SHIM - Thrust - Upper & Lower ...	2.372
13.	WASHER - Thrust - Fibre - Upper & Lower	2.372
14.	GEAR	2.374
15.	PIN - Gear	2.379
16.	CONDENSER	2.393
17.	SPRING - Cap	2.368
18.	HOUSING	N.S.S.
19.	BUSHING	2.362
20.	FELT	2.362



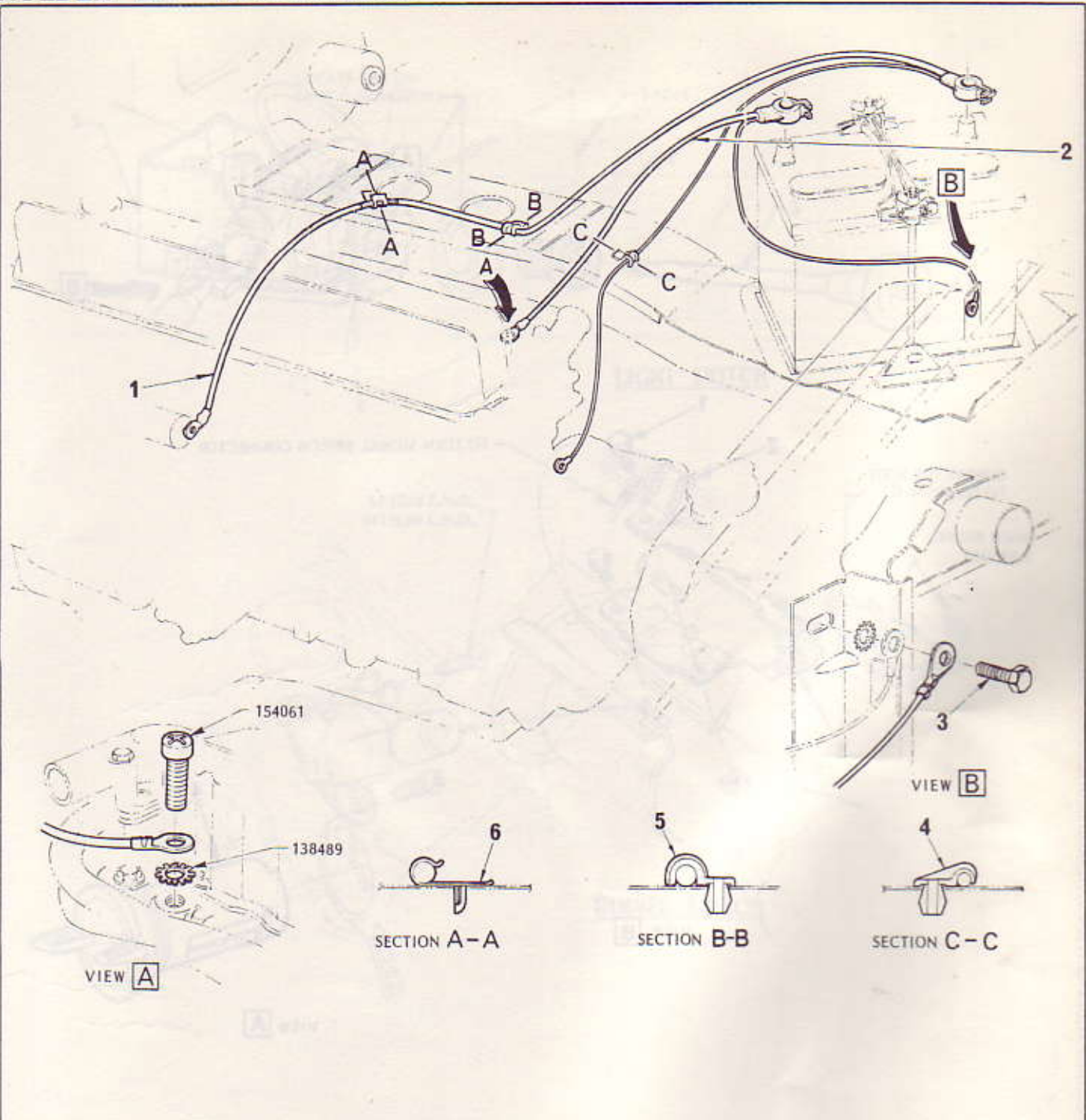
SPARK CONTROL PIPE
6 Cyl. Eng.

ILLUS. REF. NO.	PART NAME	GROUP	ILLUS. REF. NO.	PART NAME	GROUP
1.	PIPE ASSEMBLY - Spark control	2.424	3.	BELT - Fan & Generator	1.066
2.	PIPE - Flexible	2.424	4.	CLIP	2.424



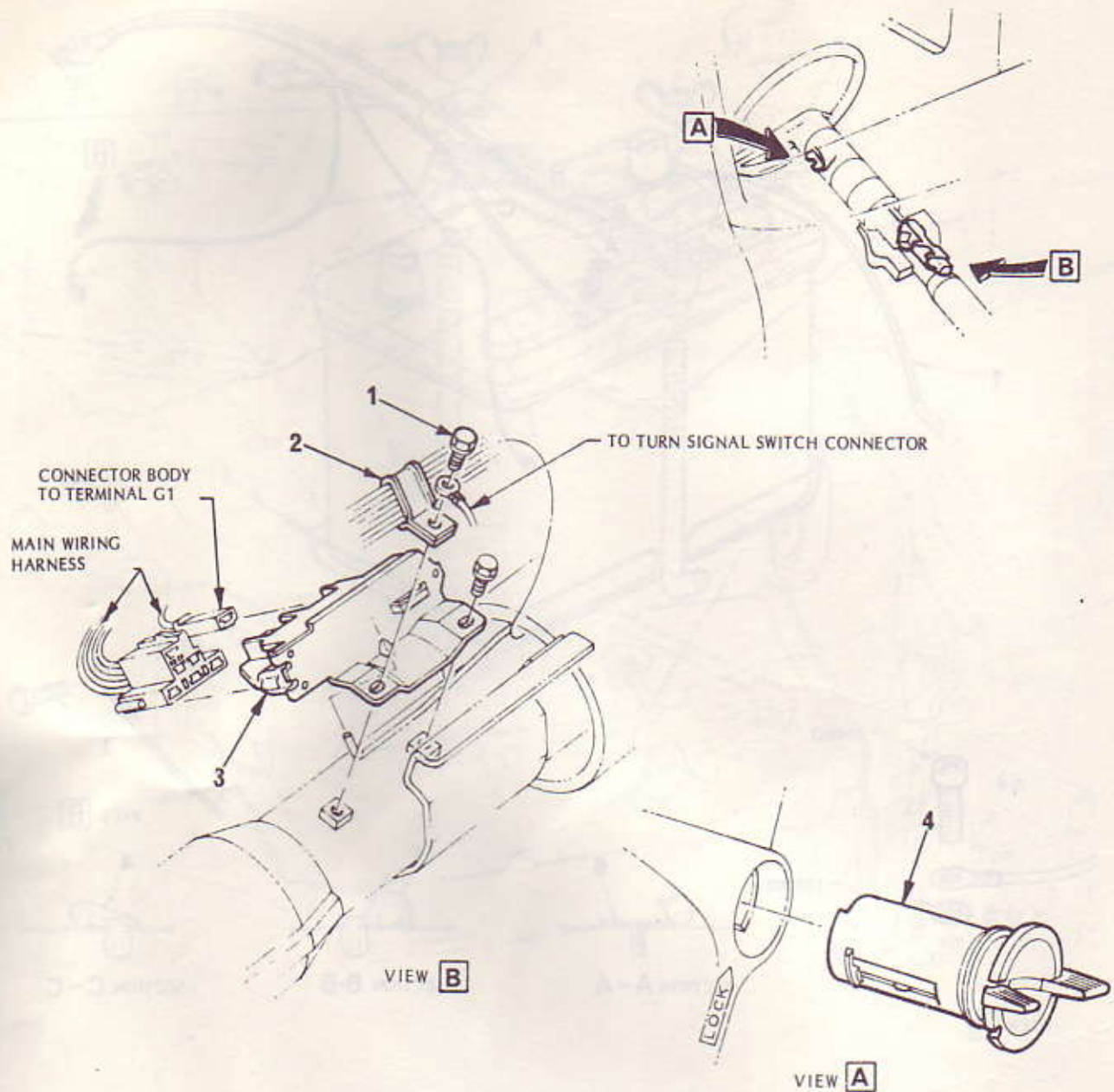
BATTERY MOUNTING

ILLUS. REF. NO.	PART NAME	GROUP	ILLUS. REF. NO.	PART NAME	GROUP
1.	TRAY - Battery mounting	2.333	4.	PLATE - Retainer lock	2.333
2.	RETAINER - Battery mounting	2.333	5.	BATTERY	2.332
3.	NUT - Wing 1/4" - 20	2.333	6.	BOLT - Battery mounting	2.333



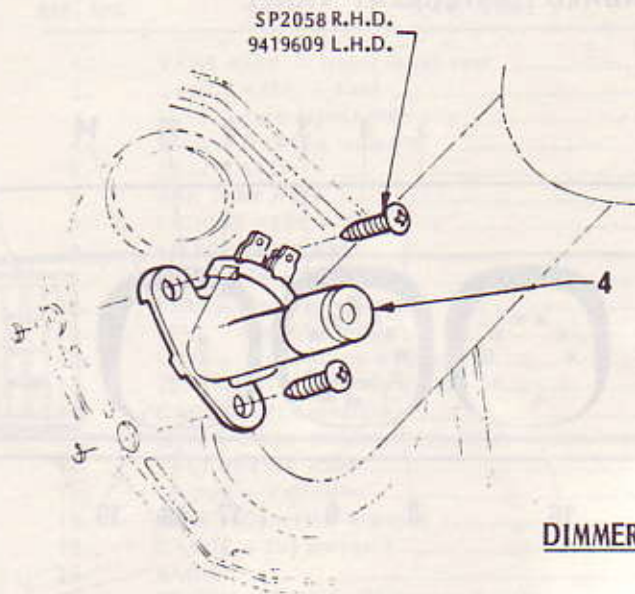
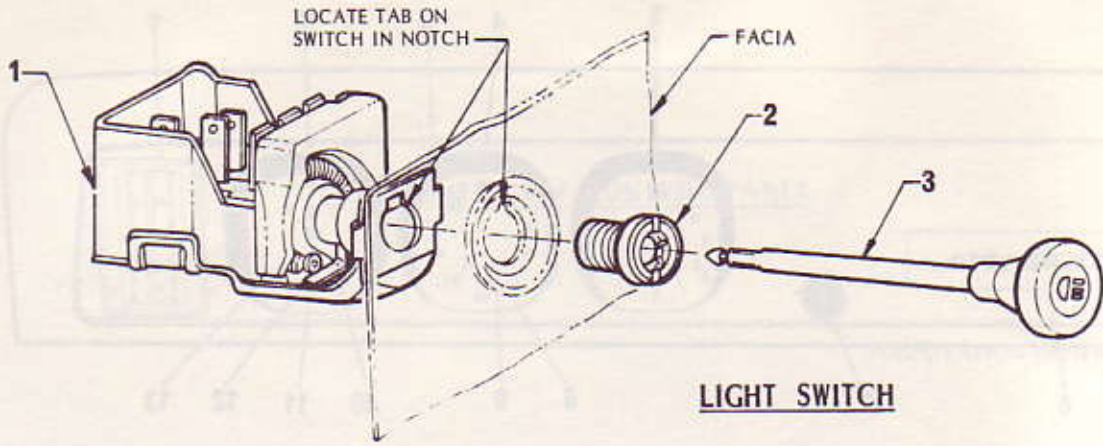
BATTERY CABLES

ILLUS. REF. NO.	PART NAME	GROUP	ILLUS. REF. NO.	PART NAME	GROUP
1.	CABLE ASSEMBLY - Starter	2.342	4.	CLIP - 3/16" saddle	2.342
2.	CABLE ASSEMBLY - Battery ground	2.341	5.	CLIP - 5/16" saddle	2.342
3.	BOLT - Hex. washer hd. 5/16" - 18 x 3/4"	1.221	6.	CLIP - 5/16" snap	2.342

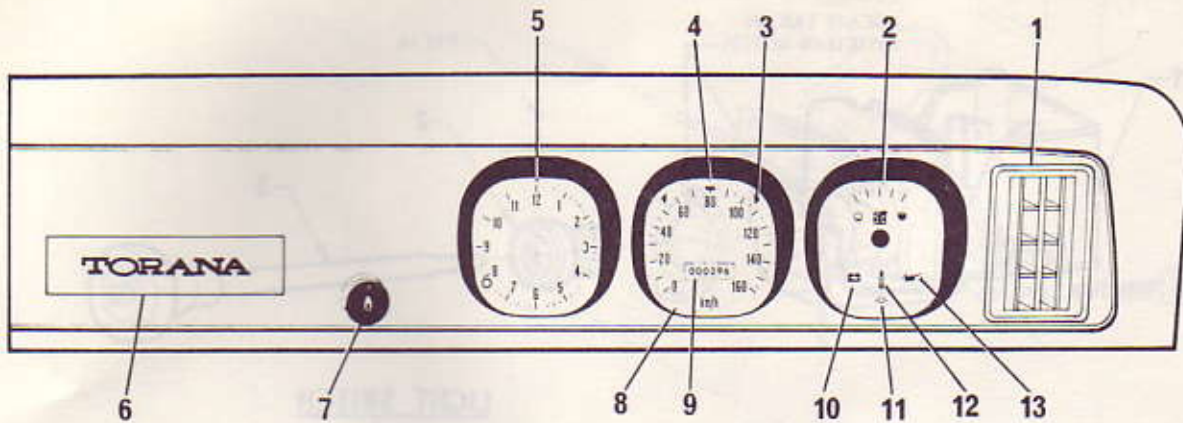


IGNITION LOCK & SWITCH

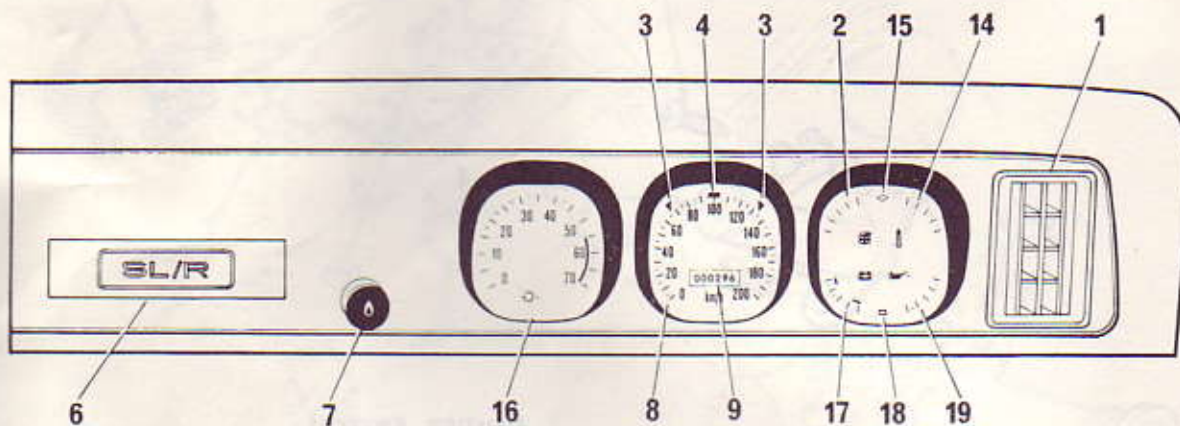
ILLUS. REF. NO.	PART NAME	GROUP	ILLUS. REF. NO.	PART NAME	GROUP
1.	BOLT - Switch to column	2.188	3.	SWITCH ASSEMBLY - Ignition & starter	2.188
2.	CLIP - Switch harness to ignition switch screw	2.895	4.	LOCK ASSEMBLY - Ignition	2.188



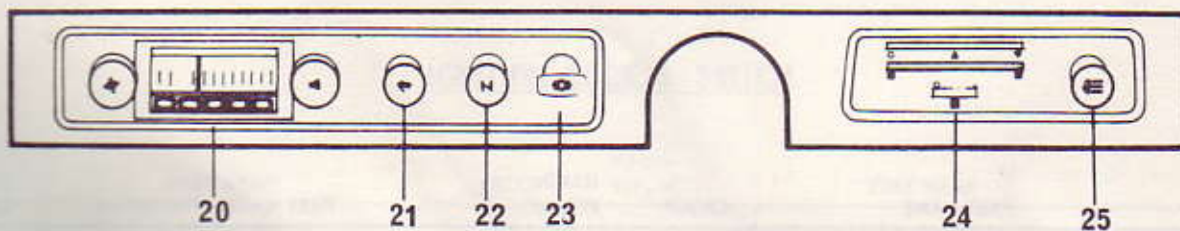
ILLUS. REF. NO.	PART NAME	GROUP	ILLUS. REF. NO.	PART NAME	GROUP
1.	SWITCH ASSEMBLY - Lighting	2.485	3.	ROD ASSEMBLY - Lighting switch control	2.486
2.	BUSHING ASSY. - Lighting switch	2.487	4.	SWITCH ASSEMBLY - Dimmer	2.459



STANDARD INSTRUMENT PANEL



SPORTS INSTRUMENT PANEL

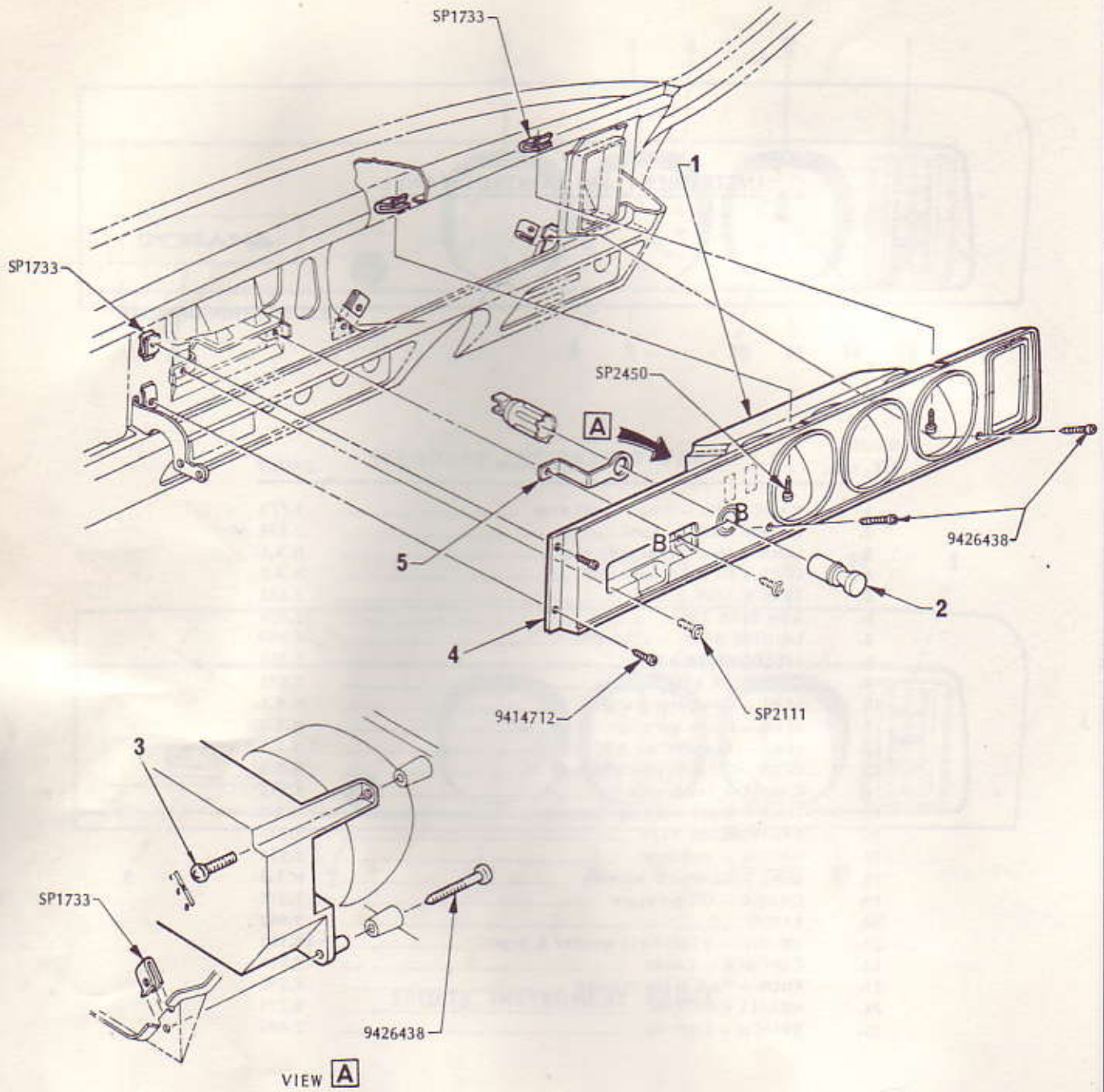


CONTROL PANEL

INSTRUMENT and CONTROL PANEL

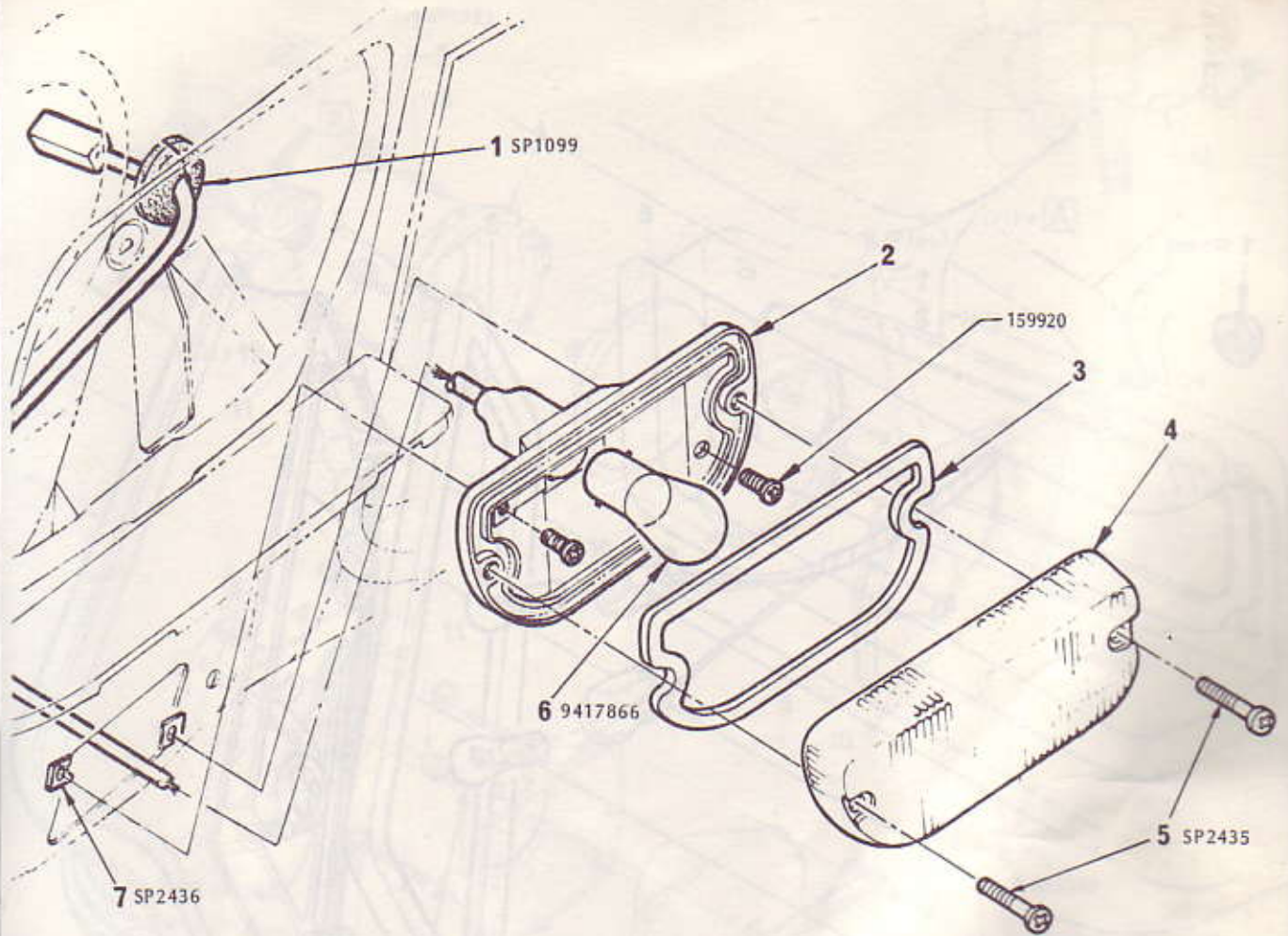
ILLUSTRATION OPPOSITE

ILLUS. REF. NO.	PART NAME	GROUP
1.	VANE ASSY. - Upper level vent	9.779
2.	GAUGE ASSY. - Fuel	2.515 ✓
3.	LENS - Turn signal indicator	N.S.S.
4.	LENS - Hi Beam indicator	N.S.S.
5.	CLOCK ASSY.	2.515
6.	ASH TRAY ASSY.	12.030
7.	LIGHTER ASSY. - Cigarette	9.709
8.	SPEEDOMETER ASSY.	2.515
9.	ODOMETER ASSY.	2.515
10.	LENS - Generator warning	N.S.S.
11.	LENS - Brake warning	N.S.S.
12.	LENS - Temperature warning	N.S.S.
13.	LENS - Oil pressure warning	N.S.S.
14.	GAUGE - Temperature	2.515
15.	LENS - Brake warning	N.S.S.
16.	TACHOMETER ASSY.	2.515
17.	GAUGE - Voltmeter	2.515
18.	LENS - Generator warning	N.S.S.
19.	GAUGE - Oil pressure	2.515
20.	RADIO	9.662
21.	SWITCH - Windshield washer & wiper	10.163
22.	CONTROL - Choke	3.521
23.	KNOB - Park brake release	4.592
24.	HEATER CONTROL	9.779
25.	SWITCH - Lighting	2.485



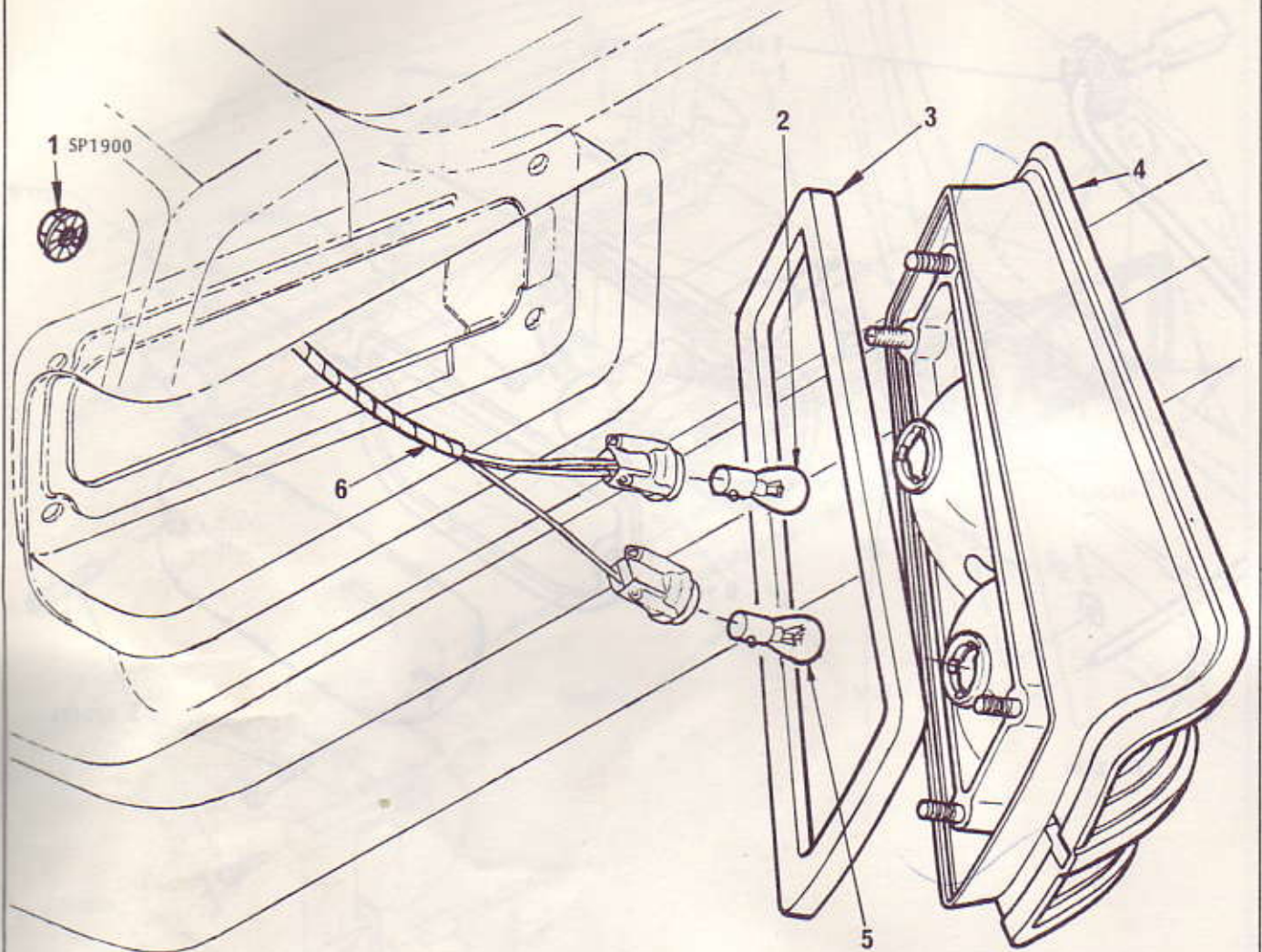
FACIA and INSTRUMENT ASSEMBLY

ILLUS. REF. NO.	PART NAME	GROUP	ILLUS. REF. NO.	PART NAME	GROUP
1.	INSTRUMENT ASSEMBLY - Combined	2.515	4.	FACIA - Instrument	2.515
2.	LIGHTER ASSEMBLY - Cigarette	9.709	5.	BRACKET - Cigarette lighter earth	9.709
3.	SCREW - Pan hd. No.8 - 18 x .5	2.515			



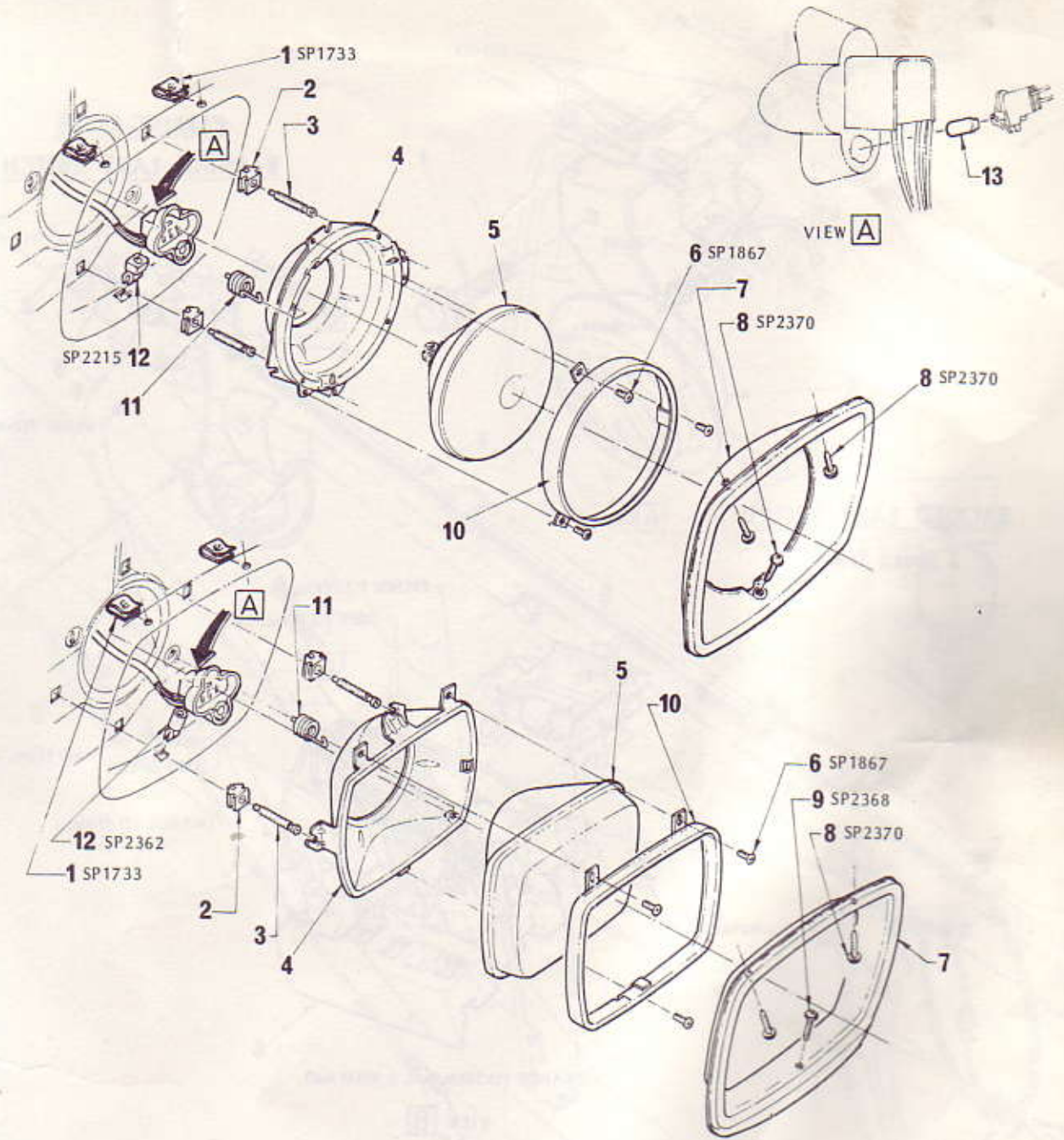
TURN SIGNAL LAMP

ILLUS. REF. NO.	PART NAME	GROUP	ILLUS. REF. NO.	PART NAME	GROUP
1.	GROMMET - Cable thru radiator support	2.586	5.	SCREW - Lens to lamp body	2.589
2.	BODY & CABLE ASSY. - Turn signal lamp..	2.586	6.	BULB - Turn signal lamp	2.586
3.	GASKET - Turn signal lamp lens	2.590	7.	NUT - No. 10 - 24 "U" type	2.586
4.	LENS - Turn signal lamp	2.589			



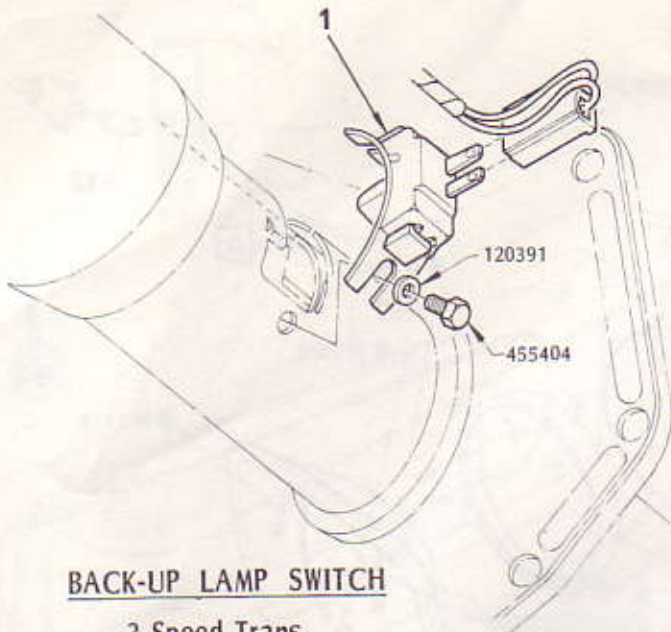
TAIL, STOP and TURN SIGNAL LAMP ASSEMBLY

ILLUS. REF. NO.	PART NAME	GROUP	ILLUS. REF. NO.	PART NAME	GROUP
1.	NUT - Lamp to body	2.679	4.	LAMP ASSEMBLY	2.679
2.	BULB - Stop and tail	2.679	5.	BULB - Turn signal and back-up	2.679
3.	GASKET - Lamp to body	2.684	6.	HARNES ASSY. - Body wiring rear	13.090



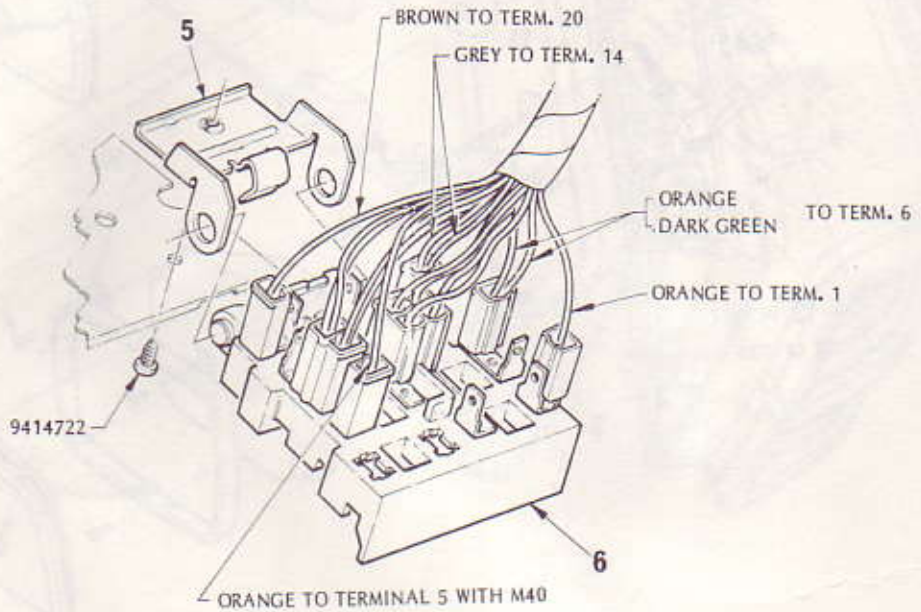
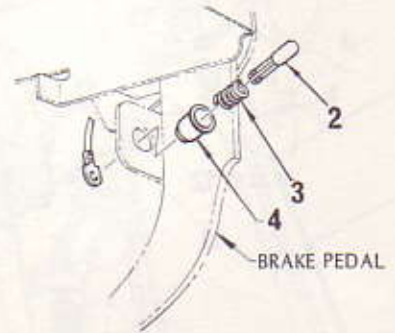
HEADLAMP ASSEMBLY

ILLUS. REF. NO.	PART NAME	GROUP	ILLUS. REF. NO.	PART NAME	GROUP
1.	NUT - Rim upper	2.728	8.	SCREW - Rd.hd. washer face tap, No.8 - 18 x .62"	2.728
2.	NUT - Adjusting	2.729	9.	SCREW - Rd.hd. washer face tap, No.8 - 18 x 1.375"	2.728
3.	SCREW - Adjusting	2.737	10.	RING - Retaining	2.731
4.	RING - Mounting	2.726	11.	SPRING - Light unit retaining	2.737
5.	SEALED BEAM UNIT	2.727	12.	NUT - Rim lower	2.728
6.	SCREW - Retaining ring to mounting ring	2.731	13.	BULB - Parking lamp	2.585
7.	RIM - Headlamp	2.728			



BACK-UP LAMP SWITCH
3 Speed Trans.

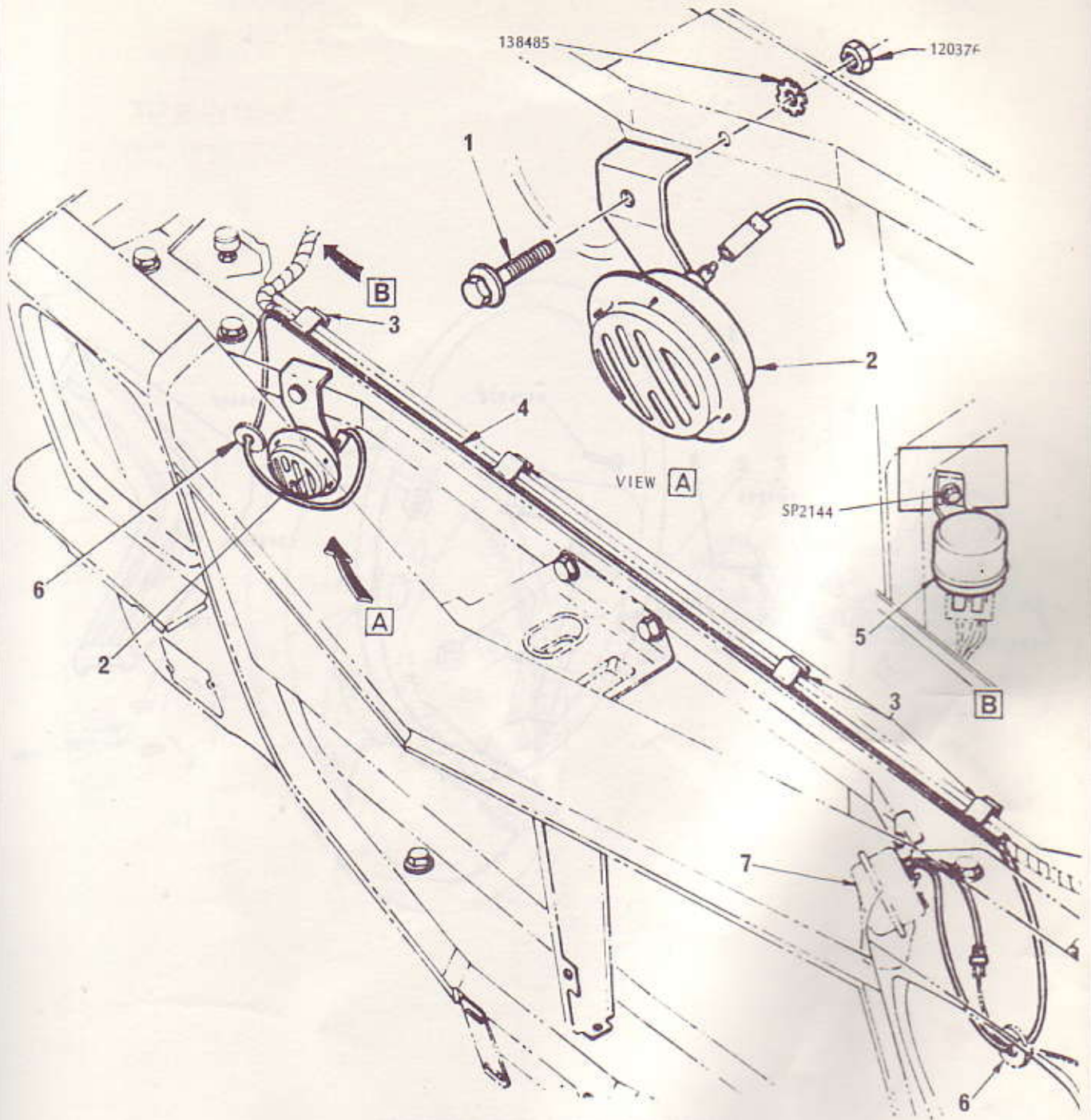
**PARKING BRAKE
WARNING LAMP SWITCH**



VIEW **B**

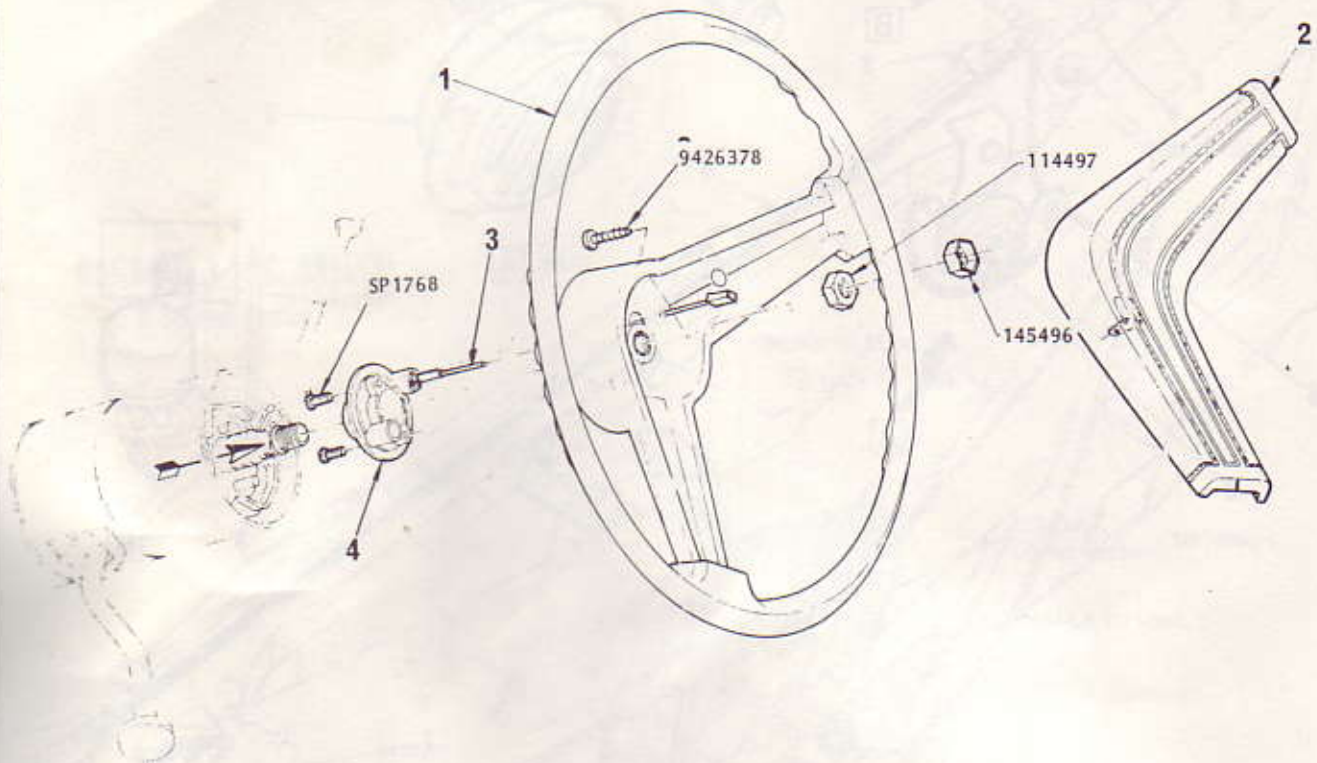
FUSE PANEL

ILLUS. REF. NO.	PART NAME	GROUP	ILLUS. REF. NO.	PART NAME	GROUP
1.	SWITCH ASSEMBLY – Back-up lamp	2.697	4.	BODY – Parking brake warning lamp	4.610
2.	PLUNGER – Parking brake warning lamp switch	4.610	5.	BRACKET – Fuse panel mounting	2.481
3.	SPRING – Parking brake warning lamp switch	4.610	6.	PANEL ASSEMBLY – Fuse	2.481



HORN and RELAY

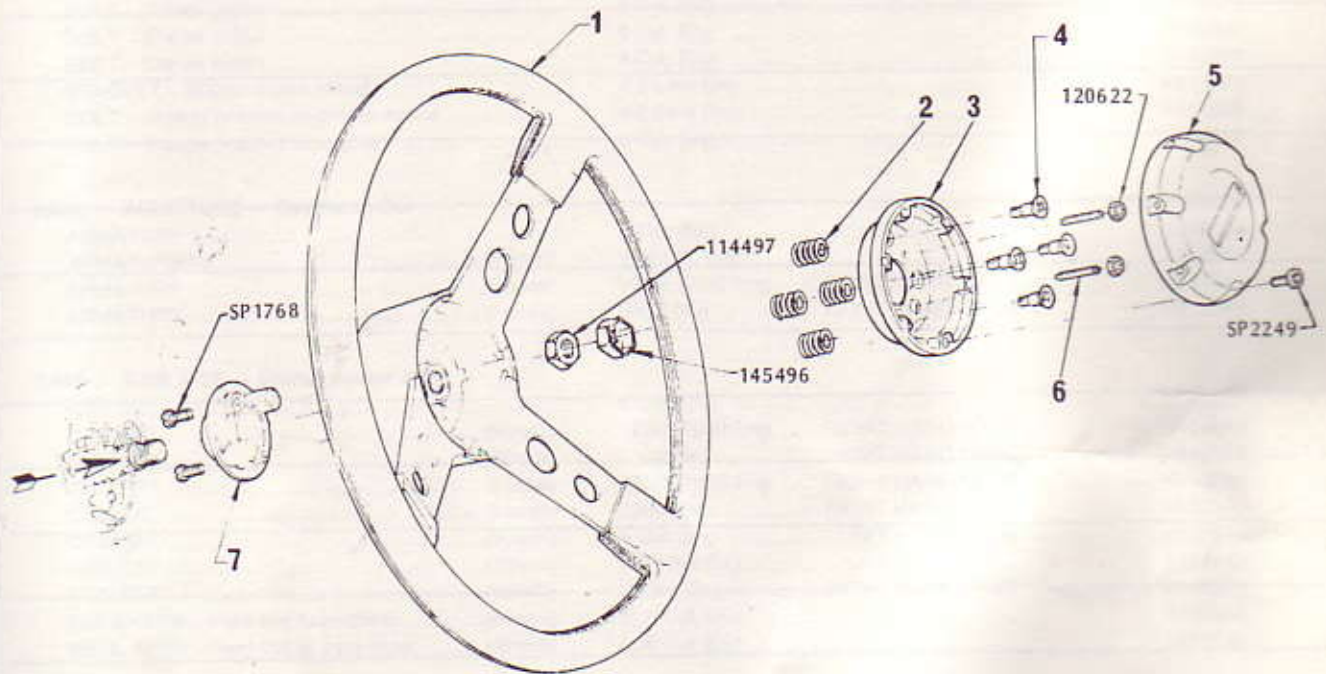
ILLUS. REF. NO.	PART NAME	GROUP	ILLUS. REF. NO.	PART NAME	GROUP
1.	SCREW & WASHER ASSY. - Horn to radiator panel	2.810	4.	LEAD ASSY. - Low note to high note horn jumper	2.810
2.	HORN ASSEMBLY - High note	2.810	5.	RELAY - Horn	2.815
3.	CLIP - Lighting harness to radiator support panel	2.555	6.	GROMMET - Cable thru radiator support	2.586
			7.	HORN ASSEMBLY - Low note	2.810



STEERING WHEEL and HORN BAR

Exc. S.L.R. and GPak

ILLUS. REF. NO.	PART NAME	GROUP
1.	WHEEL ASSY. — Steering	6.513
2.	BAR ASSY. — Horn attaching	2.830
3.	LEAD ASSY. — Horn bar earth	2.830
4.	SUPPORT & RING ASSY. — Horn contact	2.822



STEERING WHEEL and HORN BAR

S.L.R. and GPak

ILLUS. REF. NO.	PART NAME	GROUP
1.	WHEEL ASSY. - Steering	6.513
2.	SPRING - Horn button adaptor to steering wheel	2.824
3.	ADAPTOR - Horn button	2.824
4.	SCREW - Horn button adaptor to steering wheel	2.824
5.	BUTTON ASSY. - Horn	2.820
6.	SCREW - Horn contact adjusting	2.819
7.	SUPPORT & RING ASSY. - Horn contact	2.822

HOLDEN "LH" PARTS CATALOGUE

GROUP	DESCRIPTION	MODEL	SIDE	PART No.	QTY.
2.041	MOTOR — Starter				
	MOTOR ASSY.	4 Cyl. Eng.		1202004	1
	MOTOR ASSY.(Bosch)	2250, 2850 Eng.	RIGHT HAND DRIVE	2819376	1
			LEFT HAND DRIVE	9928855	1
	MOTOR ASSY.(Lucas)	2250, 2850 Eng.	RIGHT HAND DRIVE	2819377	1
	MOTOR ASSY.(Bosch)	3300 Eng.	RIGHT HAND DRIVE	2815873	1
			LEFT HAND DRIVE	9928855	1
	MOTOR ASSY.(Lucas)	3300 Eng.	RIGHT HAND DRIVE	2815872	1
	MOTOR ASSY.(Bosch)	4.2 Litre Eng.		2808958	1
	MOTOR ASSY.(Bosch)	5 Litre Eng.	RIGHT HAND DRIVE	7438110	1
	BOLT - Starter motor	4 Cyl. Eng.		2002225	2
	SUPPORT - Starter motor to engine	4 Cyl. Eng.		1202631	1
	NUT - Support to starter motor	4 Cyl. Eng.		2066102	2
	WASHER - Support to starter motor	4 Cyl. Eng.		2080078	4
	STUD - Support to engine	4 Cyl. Eng.		1288925	1
	BOLT - Starter motor	6 Cyl. Eng.		SP2079	2
	BOLT - Starter motor	8 Cyl. Eng.		7435397	1
	BOLT - Starter motor	8 Cyl. Eng.		2810367	1
	BRACKET - Starter motor steady	4.2 Litre Eng.		VS11887	1
	BOLT - Steady bracket to starter motor	4.2 Litre Eng.		VS11888	1
	BOLT - Steady bracket to engine	8 Cyl. Eng.		SP2078	1
2.043	ARMATURE -- Starter motor				
	ARMATURE	4 Cyl. Eng.		1203114	1
	ARMATURE(Bosch)	6, 8 Cyl. Eng.		7424652	1
	ARMATURE(Lucas)	2250, 2850 Eng.	RIGHT HAND DRIVE	VS11964	1
	ARMATURE(Lucas)	3300 Eng.	RIGHT HAND DRIVE	VS12569	1
2.049	COIL SET — Starter motor field				
	COIL SET	4 Cyl. Eng.		1203322	1
	COIL SET(Bosch)	2250, 2850 Eng.	RIGHT HAND DRIVE	7424642	1
	COIL SET(Bosch)	3300 Eng.	RIGHT HAND DRIVE	VS10971	1
	COIL SET(Lucas)	2250, 2850 Eng.	RIGHT HAND DRIVE	VS10280	1
	COIL SET(Lucas)	3300 Eng.	RIGHT HAND DRIVE	VS12570	1
	COIL SET(Bosch)	6 Cyl. Eng.	LEFT HAND DRIVE	VS10971	1
	COIL SET(Bosch)	4.2 Litre Eng.		7424642	1
	COIL SET(Bosch)	5 Litre Eng.	RIGHT HAND DRIVE	VS10971	1
	INSULATOR - Field coil to housing	6, 8 Cyl. Eng.		7424644	1
	INSULATOR - Field coil to pole shoe	6, 8 Cyl. Eng.		7424645	1
2.051	BRUSH SET — Starter motor				
	BRUSH SET	4 Cyl. Eng.		1203014	1
	BRUSH SET(Bosch)	6, 8 Cyl. Eng.		7424660	1
	BRUSH SET(Lucas)	6 Cyl. Eng.	RIGHT HAND DRIVE	VS11875	1
2.052	PLATE — Starter motor brush holder				
	PLATE ASSY.(Bosch)	6 Cyl. Eng.		VS11970	1
	PLATE ASSY.(Bosch)	4.2 Litre Eng.		VS11970	1
	PLATE ASSY.(Bosch)	5 Litre Eng.	RIGHT HAND DRIVE	7424659	1
	HOLDER - Brush	6 Cyl. Eng.	RIGHT HAND DRIVE	VS11876	1
	SCREW - Holder attaching	6 Cyl. Eng.	RIGHT HAND DRIVE	VS11878	2
	WASHER - Attaching screw	6 Cyl. Eng.	RIGHT HAND DRIVE	VS10812	2
2.053	SPRING, SPRING and PLATE — Starter motor brush				
	SPRING(Bosch)	6, 8 Cyl. Eng.		7424661	4
	SPRING & PLATE ASSY.(Lucas)	6 Cyl. Eng.	RIGHT HAND DRIVE	VS11877	1
2.063	CAP — Starter motor armature				
	CAP - Bearing	6, 8 Cyl. Eng.		7424665	1
	SCREW - Bearing cap	6, 8 Cyl. Eng.		VS11971	2
	WASHER - Bearing cap screw lock	6, 8 Cyl. Eng.		7406618	2

HOLDEN "LH" PARTS CATALOGUE

GROUP	DESCRIPTION	MODEL	SIDE	PART No.	QTY.
2.067	FRAME — Starter motor commutator end				
	FRAME ASSY.(Bosch)	6, 8 Cyl. Eng.		7424657	1
	FRAME ASSY.(Lucas)	6 Cyl. Eng.RIGHT HAND DRIVE		VS11871	1
2.077	BOLT, SCREW — Starter motor				
	BOLT SET - Through	4 Cyl. Eng.		1203870	1
	BOLT - Through	6, 8 Cyl. Eng.		7424666	2
	WASHER - Through bolt	6, 8 Cyl. Eng.		VS11092	2
	BOLT - Through	6 Cyl. Eng.RIGHT HAND DRIVE		VS12081	2
	WASHER - Through bolt	2250, 2850 Eng.RIGHT HAND DRIVE		VS10832	2
	SCREW - Pole shoe	6, 8 Cyl. Eng.		VS11091	4
2.080	SUNDRY PARTS KIT — Starter motor				
	KIT	6, 8 Cyl. Eng.		VS11089	1
	KIT	3300 Eng.RIGHT HAND DRIVE		VS12579	1
2.083	BUSHING — Starter motor				
	BUSHING - C.E.	4 Cyl. Eng.		1203215	1
	BUSHING - D.E.	4 Cyl. Eng.		1203215	1
	BUSHING - C.E.(Bosch)	6, 8 Cyl. Eng.		7405590	1
	BUSHING - D.E.(Bosch)	6, 8 Cyl. Eng.		7424647	1
	BUSHING - C.E.(Lucas)	6 Cyl. Eng.RIGHT HAND DRIVE		VS11874	1
	BUSHING - D.E.(Lucas)	6 Cyl. Eng.RIGHT HAND DRIVE		VS10828	1
2.085	HOUSING — Starter motor drive with bushing				
	HOUSING	6 Cyl. Eng.RIGHT HAND DRIVE		VS11146	1
	HOUSING	6 Cyl. Eng.LEFT HAND DRIVE		VS12499	1
	HOUSING	4.2 Litre Eng.		VS10972	1
	HOUSING	5 Litre Eng.		VS11146	1
	SEAL - To clutch/converter housing	8 Cyl. Eng.		VS10973	1
	HOUSING	2250, 2850 Eng.RIGHT HAND DRIVE		VS11883	1
	HOUSING	3300 Eng.RIGHT HAND DRIVE		VS11883	1
2.086	DRIVE — Starter motor				
	DRIVE ASSY.	4 Cyl. Eng.		1203173	1
	DRIVE ASSY.(Bosch)	6, 8 Cyl. Eng.		7424653	1
	DRIVE ASSY.(Lucas)	2250, 2850 Eng.RIGHT HAND DRIVE		VS10815	1
	DRIVE ASSY.(Lucas)	3300 Eng.		VS12574	1
2.087	COMPONENTS — Starter motor pinion				
	BUSHING - Drive	6, 8 Cyl. Eng.		7424631	1
	BUFFER - Drive	6, 8 Cyl. Eng.		7420847	1
	WASHER - Thrust, plain steel	2250, 2850 Eng.RIGHT HAND DRIVE		VS11872	1
	WASHER - Thrust, stepped steel	2250, 2850 Eng.RIGHT HAND DRIVE		VS11881	1
	WASHER - Thrust, nylon	2250, 2850 Eng.RIGHT HAND DRIVE		VS11882	1
	SHIM	2250, 2850 Eng.RIGHT HAND DRIVE		VS11873	1
	BUSHING - Pinion bearing	2250, 2850 Eng.RIGHT HAND DRIVE		VS10821	1
	RING - Lock	2250, 2850 Eng.RIGHT HAND DRIVE		VS10816	1
	SPRING - Engaging	2250, 2850 Eng.RIGHT HAND DRIVE		VS10817	1
	PLATE - Thrust	2250, 2850 Eng.RIGHT HAND DRIVE		VS10820	1
	PLATE - Operating	2250, 2850 Eng.RIGHT HAND DRIVE		VS10818	1
	COLLAR - Bearing	2250, 2850 Eng.RIGHT HAND DRIVE		VS10819	1
	WASHER - Thrust	3300 Eng.		VS12576	1
	SHIM	3300 Eng.		VS12578	1
	RING - Lock	3300 Eng.		VS10816	1
	SPRING - Engaging	3300 Eng.		VS10817	1
	PLATE - Operating	3300 Eng.		VS12572	1
	COLLAR - Bearing	3300 Eng.		VS10819	1

HOLDEN "LH" PARTS CATALOGUE

GROUP	DESCRIPTION	MODEL	SIDE	PART No.	QTY.
2.096	STOP, COLLAR, RING — Starter motor				
	REPAIR KIT	4 Cyl. Eng.		1203430	1
	STOP - Pinion(Bosch)	6, 8 Cyl. Eng.		7424633	1
	COLLAR - Drive end(Lucas)	6 Cyl. Eng.	RIGHT HAND DRIVE	VS10826	1
	RING - Collar retaining(Lucas)	6 Cyl. Eng.	RIGHT HAND DRIVE	7428707	1
2.100	SWITCH — Starter				
	SWITCH - Solenoid	4 Cyl. Eng.		1202067	1
	GASKET - Switch to starter motor	4 Cyl. Eng.		1203800	1
	SWITCH - Solenoid(Bosch)	6, 8 Cyl. Eng.		VS10215	1
	SCREW - Switch attaching(Bosch)	6, 8 Cyl. Eng.		7424669	2
	SWITCH - Solenoid(Lucas)	2250, 2850 Eng.	RIGHT HAND DRIVE	VS10822	1
	SWITCH - Solenoid(Lucas)	3300 Eng.		VS12580	1
	NUT - Switch attaching(Lucas)	6 Cyl. Eng.	RIGHT HAND DRIVE	7406859	2
	NUT - Terminal(Lucas)	6 Cyl. Eng.	RIGHT HAND DRIVE	VS10823	2
	WASHER - Terminal nut(Lucas)	6 Cyl. Eng.	RIGHT HAND DRIVE	VS10824	2
2.101	GROMMET — Starter motor cable outlet				
	GROMMET(Lucas)	6 Cyl. Eng.	RIGHT HAND DRIVE	VS11885	1
2.102	STARTER MOTOR (SOLENOID) COMPONENTS				
	COVER - Switch(Bosch)	6, 8 Cyl. Eng.		VS11090	1
	GASKET - Solenoid 0.5 mm(Bosch)	6, 8 Cyl. Eng.		7424678	A.R.
	NUT - Contact bolt(Bosch)	6, 8 Cyl. Eng.		7405645	2
	SCREW - Cover attaching(Bosch)	6, 8 Cyl. Eng.	RIGHT HAND DRIVE	VS11973	2
	SCREW - Cover attaching(Bosch)	6 Cyl. Eng.	LEFT HAND DRIVE	VS12500	2
	WASHER - Main terminal(Bosch)	6, 8 Cyl. Eng.		VS11087	1
	WASHER - Switch cover screw(Bosch)	6, 8 Cyl. Eng.		VS11086	2
	NUT - Terminal(Lucas)	6 Cyl. Eng.	RIGHT HAND DRIVE	VS10823	2
	WASHER - Terminal nut(Lucas)	6 Cyl. Eng.	RIGHT HAND DRIVE	VS10824	2
2.108	REPAIR KIT, LEVER — Starter motor shift				
	REPAIR KIT	4 Cyl. Eng.		1612306	1
	LEVER ASSY.(Bosch)	6, 8 Cyl. Eng.		7424648	1
	SCREW - Pivot(Bosch)	6, 8 Cyl. Eng.		7424649	1
	NUT - Pivot screw(Bosch)	6, 8 Cyl. Eng.		7405604	1
	WASHER - Lock(Bosch)	6, 8 Cyl. Eng.		VS11969	1
	LEVER ASSY.(Lucas)	2250, 2850 Eng.	RIGHT HAND DRIVE	VS10813	1
	PIN - Lever pivot(Lucas)	2250, 2850 Eng.	RIGHT HAND DRIVE	VS10814	1
	NUT - Pivot pin(Lucas)	2250, 2850 Eng.	RIGHT HAND DRIVE	7406835	1
	LEVER ASSY.(Lucas)	3300 Eng.	RIGHT HAND DRIVE	VS12573	1
	PIN - Lever pivot(Lucas)	3300 Eng.	RIGHT HAND DRIVE	VS12571	1
	WASHER - Pivot pin(Lucas)	3300 Eng.	RIGHT HAND DRIVE	VS12568	1
2.170	COIL, BRACKET — Ignition				
	COIL & BRACKET ASSY.	4 Cyl. Eng.	NWA	3474204	1
	COIL ASSY.(Bosch)	6 Cyl. Eng.		7422779	1
	BRACKET & SCREW ASSY.(Bosch)	6 Cyl. Eng.		7422780	1
	COIL ASSY.(Lucas)	6 Cyl. Eng.		7431087	1
	BRACKET & SCREW ASSY.(Lucas)	6 Cyl. Eng.		7422907	1
	COIL ASSY.(Bosch)	8 Cyl. Eng.	JC128R	7435105	1-2
	COIL ASSY.(Lucas)	8 Cyl. Eng.		7440470	1-2
	BRACKET & SCREW ASSY.	8 Cyl. exc. L34 Eng.		7449585	1
	BRACKET & SCREW ASSY.	L34 Eng.	LH	7422780	1
			RH	7449585	1
2.188	SWITCH — Ignition and starting				
	LOCK ASSY. - Ignition (Coded)	ALL	9200358000	9994521	1
	SERVICE PACKAGE - Ignition lock (Uncoded)	ALL		9934587	1
	SWITCH ASSY. - Ignition & Starter	ALL		2811924	1
	TUMBLER - No. 1 (Package of 100)	ALL		3901061	A.R.
	TUMBLER - No. 2 (Package of 100)	ALL		3901062	A.R.

HOLDEN "LH" PARTS CATALOGUE

GROUP	DESCRIPTION	MODEL	SIDE	PART No.	QTY.
2.188	SWITCH — Ignition and starting (contd.)				
	TUMBLER - No. 3 (Package of 100)	ALL		3901063	A.R.
	TUMBLER - No. 4 (Package of 100)	ALL		3901064	A.R.
	TUMBLER - No. 5 (Package of 100)	ALL		3901065	A.R.
	BOLT - Switch to column	ALL		SP2319	2
	BOLT & SPRING ASSY. - Steering lock	ALL		2812811	1
	WASHER - Steering lock thrust	ALL		7805950	1
2.195	RACK AND ROD, SHAFT, SECTOR — Ignition switch actuator				
	RACK & ROD ASSY.	ALL		2813550	1
	SPRING - Rack preload	ALL		7804410	1
	SHAFT - Sector	ALL		7804412	1
	SECTOR - Actuator	ALL		7806046	1
2.239	WIRE UNIT — Spark plug and distributor				
	WIRE UNIT - T.V.R.S.	4 Cyl. Eng.		1612302	1
	WIRE UNIT - T.V.R.S.	6 Cyl. Eng.		7423454	1
	WIRE UNIT - Copper wire	6 Cyl. Eng.		7436752	1
	WIRE UNIT - T.V.R.S.	8 Cyl. Eng.		9938279	1
	WIRE UNIT - Copper wire	8 Cyl. Eng.		9936674	1
2.239	CABLE — Distributor to coil				
	CABLE ASSY.	L34 Eng.		7117968	1
2.251	SUPPORT, BRACKET, RETAINER — Spark plug wire				
	SUPPORT - Steel	4 Cyl. Eng.		1288682	1
	SUPPORT - Plastic	4 Cyl. Eng.		1288681	1
	BRACKET - Retainer to rocker cover	8 Cyl. Eng.		9932450	4
	RETAINER - Spark plug wire	8 Cyl. Eng.		9932449	4
	RETAINER - Spark plug wire	8 Cyl. Eng.		2965736	2
2.258	CAP, NIPPLE, BOOT — Spark plug wire insulating				
	CAP - Spark plug wire guard	4 Cyl. Eng.		1212707	1
	NIPPLE - Distributor cap insulating	6, 8 Cyl. Eng.		5289527	6-8
	NIPPLE - Coil lead insulating (cap end)	6, 8 Cyl. Eng.		5289527	1-2
	NIPPLE - Coil lead insulating (coil end)	6, 8 Cyl. Eng.		5290441	1-2
	BOOT - Spark plug	6 Cyl. Eng.		2962674	6
	BOOT - Spark plug	8 Cyl. Eng.		2965987	8
2.270	PLUG — Spark				
	PLUG - Spark	4 Cyl. Eng.		42FS	4
	PLUG - Spark	2250, 2850 Eng.		44T	6
	PACKAGE - (Set of 6 No. 44T)	2250, 2850 Eng.		2820504	1
	PLUG - Spark	3300 Eng.		45T	6
	PACKAGE - (Set of 6 No. 45T)	3300 Eng.		2820505	1
	PLUG - Spark	8 Cyl. Eng.		44T	8
	PLUG - Spark (Optional)	6, 8 Cyl. Eng.		43T	6-8
	PACKAGE - (Set of 8 No. 43T) (Optional)	8 Cyl. Eng.		2822798	1
	PLUG - Spark	L34 Eng.		(* 438TS)	8
2.274	PULLEY, FAN — Generator				
	PULLEY	4 Cyl. Eng. exc. Air Cond.		3472410	1
	FAN	4 Cyl. Eng.		(* 3472395)	1
	FAN	4 Cyl. Eng.		(* 3472419)	1
	FAN	4 Cyl. Eng. Air Cond.		3472419	1
	PULLEY	6 Cyl. Eng.		2825019	1
	PULLEY - 2 1/8" diameter	8 Cyl. Eng.		2825019	1
	PULLEY - 3 1/8" diameter	5 Litre Eng.		2825063	1
	FAN	6, 8 Cyl. Eng.		7430410	1

Note: (* Component of 9937365, M37810.
 (** Use with 33 amp generator.
 (** Use with 45 amp generator.

HOLDEN "LH" PARTS CATALOGUE

GROUP	DESCRIPTION	MODEL	SIDE	PART No.	QTY.
2.275 GENERATOR					
	GENERATOR ASSY.	4 Cyl. Eng. exc. Air Cond.		3472002	1
	GENERATOR ASSY.	4 Cyl. Eng. Air Cond.		3472018	1
	GENERATOR ASSY.(Bosch)	6, 8 Cyl. Eng. exc. Air Cond.		9930535	1
	GENERATOR ASSY.(Lucas)	6, 8 Cyl. Eng. exc. Air Cond.		2825480	1
	GENERATOR ASSY.(Bosch)	6, 8 Cyl. Eng. Air Cond.	N 417	9930537	1
2.277 BRACKET, SUPPORT, BOLT — Generator mounting					
	BRACKET ASSY.	4 Cyl. Eng.		1204651	1
	BOLT - Generator to bracket	4 Cyl. Eng.		2000245	1
	NUT - Generator bolt	4 Cyl. Eng.		2066150	1
	WASHER - Generator bolt	4 Cyl. Eng.		2080241	1
	BUSHING - Bracket damper	4 Cyl. Eng.		1204880	2
	BRACKET ASSY.	6 Cyl. Eng. exc. Air Cond.		7429932	1
	BRACKET - Front	8 Cyl. Eng.		9928769	1
	SUPPORT - Rear	8 Cyl. Eng. exc. Air Cond.		9928767	1
2.279 ROTOR — Generator					
	ROTOR ASSY.	4 Cyl. Eng. exc. Air Cond.		(⁹⁹ 3472351)	1
	ROTOR ASSY.	4 Cyl. Eng. exc. Air Cond.		(⁹⁹ 1205512)	1
	ROTOR ASSY.	4 Cyl. Eng. Air Cond.		3472421	1
	ROTOR(Bosch)	6, 8 Cyl. Eng. exc. Air Cond.		VS12376	1
	ROTOR(Bosch)	6, 8 Cyl. Eng. Air Cond.		VS12560	1
	SLIP RING(Bosch)	6, 8 Cyl. Eng. exc. Air Cond.		VS11094	1
	SLIP RING(Bosch)	6, 8 Cyl. Eng. Air Cond.		VS12558	1
	ROTOR(Lucas)	6, 8 Cyl. Eng. exc. Air Cond.		VS12321	1
	ROTOR(Lucas)	6, 8 Cyl. Eng. Air Cond.		VS12531	1
	SLIP RING(Lucas)	6, 8 Cyl. Eng.		VS12330	1
2.280 NUT, WASHER — Generator					
	NUT	4 Cyl. Eng.		2909321	1
	WASHER	4 Cyl. Eng.		2909712	1
	NUT(Lucas)	6, 8 Cyl. Eng.		7405703	1
	WASHER(Lucas)	6, 8 Cyl. Eng.		VS11765	1
2.285 BRUSH SET — Generator					
	BRUSH AND CLIP ASSY.	4 Cyl. Eng.		3472319	2
	BRUSH SET(Bosch)	6, 8 Cyl. Eng. exc. Air Cond.		VS12023	1
	BRUSH AND SPRING SET(Lucas)	6, 8 Cyl. Eng.		VS12327	1
2.286 SPRING — Generator brush					
	SPRING	4 Cyl. Eng.		3472318	2
	SPRING(Bosch)	6, 8 Cyl. Eng. exc. Air Cond.		VS12024	2
2.287 PLATE AND LEAD — Generator diode					
	PLATE AND LEAD ASSY. W/THREE DIODES	4 Cyl. Eng.		3472312	1
2.289 RECTIFIER, TERMINAL — Generator					
	BRIDGE - Rectifier	4 Cyl. Eng.		3472311	1
	TERMINAL ASSY. - Negative	4 Cyl. Eng.		3472457	1
	WASHER - Negative Terminal	4 Cyl. Eng.		2909714	1
	NUT - Negative terminal	4 Cyl. Eng.		2909232	1
	TERMINAL ASSY. - Positive	4 Cyl. Eng.		3472458	1
	INSULATOR - Positive terminal	4 Cyl. Eng.		3472314	1
	WASHER - Positive terminal	4 Cyl. Eng.		2909715	1
	NUT - Positive terminal	4 Cyl. Eng.		2909236	1
	RECTIFIER ASSY.(Bosch)	6, 8 Cyl. Eng. exc. Air Cond.		VS12380	1
	RECTIFIER ASSY.(Bosch)	6, 8 Cyl. Eng. Air Cond.		VS12561	1
	BOLT - Rectifier, long(Bosch)	6, 8 Cyl. Eng. exc. Air Cond.		VS12019	1
	BOLT - Rectifier, short(Bosch)	6, 8 Cyl. Eng. exc. Air Cond.		VS12020	2

Note: (⁹⁹ Use with 33 amp generator.
(⁹⁹ Use with 45 amp generator.

HOLDEN "LH" PARTS CATALOGUE

GROUP	DESCRIPTION	MODEL	SIDE	PART No.	QTY.
2.289	SINK — Heat and components				
	SINK - Heat, negative with diodes(Lucas)	6, 8 Cyl. Eng. exc. Air Cond.		VS12323	1
	SINK - Heat, negative with diodes(Lucas)	6, 8 Cyl. Eng. Air Cond.		VS12088	1
	SINK - Heat, positive with diodes(Lucas)	6, 8 Cyl. Eng. exc. Air Cond.		VS12324	1
	SINK - Heat, positive with diodes(Lucas)	6, 8 Cyl. Eng. Air Cond.		VS12089	1
	PLATE - Field terminal with diodes(Lucas)	6, 8 Cyl. Eng. exc. Air Cond.		VS12325	1
	PLATE - Field terminal with diodes(Lucas)	6, 8 Cyl. Eng. Air Cond.		VS12533	1
	SUNDRY PARTS KIT - Heat sink mounting ..(Lucas)	6, 8 Cyl. Eng.		VS12091	1
2.291	HOLDER, BOX, MOULDING — Generator brush				
	HOLDER ASSY. - Brush	4 Cyl. Eng.		3472316	1
	SCREW - Brush holder mounting	4 Cyl. Eng.		3472322	2
	WASHER - Brush holder insulating	4 Cyl. Eng.		2909711	2
	WASHER - Brush holder screw	4 Cyl. Eng.		2909703	2
	BOX ASSY. - Generator brush(Lucas)	6, 8 Cyl. Eng. exc. Air Cond.		VS12326	1
	BOX ASSY. - Generator brush(Lucas)	6, 8 Cyl. Eng. Air Cond.		VS12535	1
	MOULDING - Generator brush box(Lucas)	6, 8 Cyl. Eng. exc. Air Cond.		VS12040	1
	SCREW - Generator brush box fixing(Lucas)	6, 8 Cyl. Eng. Air Cond.		VS12038	4
2.297	FRAME, PLATE, BRACKET — Generator slip ring end				
	FRAME ASSY.	4 Cyl. Eng. exc. Air Cond.		(⁴⁹ 3472454	1
	FRAME ASSY.	4 Cyl. Eng. exc. Air Cond.		(⁵⁰ 3472450	1
	FRAME ASSY.	4 Cyl. Eng. Air Cond.		3472450	1
	PLATE(Bosch)	6, 8 Cyl. Eng. exc. Air Cond.		VS12378	1
	BRACKET(Lucas)	6, 8 Cyl. Eng. exc. Air Cond.		VS12322	1
	BRACKET(Lucas)	6, 8 Cyl. Eng. Air Cond.		VS12532	1
	WASHER - Wave(Lucas)	6, 8 Cyl. Eng.		VS11776	1
2.298	BEARING — Generator slip ring end				
	BEARING & SEAL ASSY.	4 Cyl. Eng.		3472455	1
	BEARING(Bosch)	6, 8 Cyl. Eng. exc. Air Cond.		7420853	1
	BEARING(Lucas)	6, 8 Cyl. Eng.		VS11773	1
2.305	FRAME, PLATE, BRACKET — Generator drive end				
	FRAME ASSY.	4 Cyl. Eng. exc. Air Cond.		(⁴⁹ 3472459	1
	FRAME ASSY.	4 Cyl. Eng. exc. Air Cond.		(⁵⁰ 3472451	1
	FRAME ASSY.	4 Cyl. Eng. Air Cond.		3472451	1
	PLATE(Bosch)	6, 8 Cyl. Eng. exc. Air Cond.		VS12338	1
	BRACKET(Lucas)	6, 8 Cyl. Eng. exc. Air Cond.		VS12319	1
	BRACKET(Lucas)	6, 8 Cyl. Eng. Air Cond.		VS12529	1
2.306	BEARING — Generator drive end				
	BEARING PACKAGE	4 Cyl. Eng.		3472460	1
	BEARING(Bosch)	6, 8 Cyl. Eng. exc. Air Cond.		7420850	1
	BEARING(Lucas)	6, 8 Cyl. Eng.		VS11767	1
2.307	SUNDRY PARTS — Generator drive end				
	COLLAR - Inner	4 Cyl. Eng.		3472350	1
	COLLAR - Outer	4 Cyl. Eng.		3472377	1
	SUNDRY PARTS SET(Bosch)	6, 8 Cyl. Eng. exc. Air Cond.		VS12027	1
	PLATE - Bearing retaining(Lucas)	6, 8 Cyl. Eng.		VS12084	1
	SCREW - Bearing retainer plate(Lucas)	6, 8 Cyl. Eng.		VS11771	3
	COLLAR - Distance(Lucas)	6, 8 Cyl. Eng. exc. Air Cond.		VS12320	1
	COLLAR - Distance(Lucas)	6, 8 Cyl. Eng. Air Cond.		VS12530	1
	WASHER - Support(Lucas)	6, 8 Cyl. Eng.		VS12085	1
	CIRCLIP - Shaft(Lucas)	6, 8 Cyl. Eng.		VS12092	1

Note: (⁴⁹ Use with 33 amp generator.
(⁵⁰ Use with 45 amp generator.

HOLDEN "LH" PARTS CATALOGUE

GROUP	DESCRIPTION	MODEL	SIDE	PART No.	QTY
2.310	STATOR — Generator				
	STATOR	4 Cyl. Eng. exc. Air Cond.		(⁴⁹ 3472324	1
	STATOR	4 Cyl. Eng. exc. Air Cond.		(⁵⁰ 3472330	1
	STATOR	4 Cyl. Air Cond.		3472429	1
	WASHER - Stator terminal	4 Cyl. Eng.		2909703	3
	NUT - Stator terminal	4 Cyl. Eng.		2909250	3
	STATOR(Bosch)	6, 8 Cyl. Eng. exc. Air Cond.		VS12374	1
	STATOR(Bosch)	6, 8 Cyl. Eng. Air Cond.		VS12559	1
	STATOR(Lucas)	6, 8 Cyl. Eng. exc. Air Cond.		VS12328	1
	STATOR(Lucas)	6, 8 Cyl. Eng. Air Cond.		VS12090	1
2.315	SUNDRY PARTS SET — Generator				
	SUNDRY PARTS SET(Bosch)	6, 8 Cyl. Eng. exc. Air Cond.		VS12028	1
2.316	BOLT — Generator through				
	BOLT	4 Cyl. Eng.		2909227	2
	BOLT(Bosch)	6, 8 Cyl. Eng. exc. Air Cond.		VS12026	4
	BOLT(Bosch)	6, 8 Cyl. Eng. Air Cond.		VS12562	4
	WASHER - Plain(Bosch)	6, 8 Cyl. Eng. exc. Air Cond.		7405633	4
	WASHER - Lock(Bosch)	6, 8 Cyl. Eng. exc. Air Cond.		7424685	4
	BOLT(Lucas)	6, 8 Cyl. Eng. exc. Air Cond.		VS11763	3
	BOLT(Lucas)	6, 8 Cyl. Eng. Air Cond.		VS12083	3
2.317	BRACE — Generator				
	BRACE	4 Cyl. Eng.		1204726	1
	BOLT - Generator to brace	4 Cyl. Eng.		2010112	1
	NUT - Generator to brace bolt	4 Cyl. Eng.		2064231	1
	BUSHING - Brace threaded	4 Cyl. Eng.		1204961	1
	BUSHING - Brace damper	4 Cyl. Eng.		1204881	1
	BRACE	6 Cyl. Eng. exc. Air Cond.		9931664	1
	BRACE	6 Cyl. Eng. Air Cond.		2814840	1
	SPACER - Brace to thermo housing	6 Cyl. Eng. Air Cond.		2814128	1
	BRACE	8 Cyl. Eng.		9926768	1
	SPACER - Brace to front cover	8 Cyl. Eng.		9930004	1
2.332	BATTERY				
	BATTERY - 50 amp. hour	ALL		432F	1
	BATTERY - 61 amp. hour (Optional)	ALL		456H	1
2.333	TRAY, RETAINER, BRACKET — Battery mounting				
	TRAY	ALL		9933264	1
	RETAINER	ALL		7434165	1
	PLATE - Retainer lock	ALL		7420476	2
	BOLT - Mounting	ALL		9929134	2
	NUT - Wing. ¼" - 20	ALL		7077093	2
	BRACKET - Mounting bolt, front	ALL		2824124	1
	BRACKET - Mounting bolt, rear	ALL		2824123	1
2.341	CABLE — Battery ground				
	CABLE ASSY. - Negative	4 Cyl. Eng.		9929874	1
	NUT - Negative cable to engine	4 Cyl. Eng.		2064230	1
	WASHER - Negative cable to engine	4 Cyl. Eng.		2074152	1
	CLIP - Negative cable to frame side member	4 Cyl. Eng.		SP2357	1
	CABLE ASSY. - Negative	6 Cyl. Eng.		2824847	1
	CABLE ASSY. - Negative	8 Cyl. Eng.		9937274	1
2.342	CABLE — Starter				
	CABLE ASSY.	4 Cyl. Eng.		9929875	1
	CLIP - Cable to side member	4 Cyl. Eng.		SP1779	1
	NUT - Cable to starter motor	4 Cyl. Eng.		2064230	1
Note:	(⁴⁹ Use with 33 amp generator.				
	(⁵⁰ Use with 45 amp generator.				

HOLDEN "LH" PARTS CATALOGUE

GROUP	DESCRIPTION	MODEL	SIDE	PART No.	QTY.
2.342	CABLE — Starter (contd.)				
	WASHER - Cable to starter motor	4 Cyl. Eng.		2074152	1
	CABLE ASSY.	6 Cyl. Eng.		2824845	1
	CLIP - $\frac{3}{16}$ " snap - Cable to frame side member	6 Cyl. Eng.		SP1885	1
	CLIP - $\frac{3}{16}$ " saddle - Cable to engine side rail	6 Cyl. Eng.		SP2359	1
	CLIP - $\frac{3}{16}$ " saddle - Cable to frame side member	6 Cyl. Eng.		SP2367	1
	CLIP - $\frac{3}{16}$ " saddle - Cable to left hand frame	6 Cyl. Eng. Air Cond. RIGHT HAND DRIVE		SP2359	1
	CLIP - $\frac{3}{16}$ " - $\frac{3}{16}$ " Double saddle - Cable to left hand frame	6 Cyl. Eng. Air Cond. LEFT HAND DRIVE		SP2357	1
	CABLE ASSY.	8 Cyl. Eng.		9937273	1
	CLIP - Cable & engine harness to engine	8 Cyl. Eng.		SP2512	1
	CLIP - Cable to side member	8 Cyl. Eng.		SP1579	1
	SLEEVE - Starter cable	ALL		7414969	1
	CLIP - Cable and vac. hose to frame	8 Cyl. Eng. Air Cond.		SP1778	1
2.361	DISTRIBUTOR				
	DISTRIBUTOR ASSY.	4 Cyl. Eng.		1211032	1
	DISTRIBUTOR ASSY.(Lucas)	2250 Eng.		2810250	1
	DISTRIBUTOR ASSY.(Bosch)	2850, 3300 Eng.		2820111	1
	DISTRIBUTOR ASSY.(Lucas)	2850, 3300 Eng.		2817884	1
	DISTRIBUTOR ASSY.(Bosch)	4.2 Litre Eng.	<i>u 47</i>	7424884	1
	DISTRIBUTOR ASSY.(Bosch)	5 Litre exc. L34 Eng.		2807236	1
	DISTRIBUTOR ASSY.	L34 Eng.		9937286	1
2.362	BUSHING, FELT, GASKET — Distributor				
	GASKET	4 Cyl. Eng.		1212654	1
	BUSHING(Bosch)	6 Cyl. Eng.		VS10841	2
	FELT(Bosch)	6 Cyl. Eng.		VS10843	1
	BUSHING(Lucas)	6 Cyl. Eng.		VS12347	2
	FELT(Lucas)	6 Cyl. Eng.		VS12348	1
	GASKET	6 Cyl. Eng.		6256636	1
	BUSHING(Bosch)	8 Cyl. Eng.	<i>u 47</i>	VS10842	2
	FELT(Bosch)	8 Cyl. Eng.		VS10844	1
	GASKET	8 Cyl. Eng.		7434855	1
2.364	WICK — Distributor				
	WICK(Bosch)	6, 8 Cyl. Eng.		VS10210	1
2.367	CAP — Distributor				
	CAP	4 Cyl. Eng.		1212140	1
	CAP(Bosch)	6 Cyl. Eng.		VS10866	1
	CAP(Lucas)	6 Cyl. Eng.	<i>GL267</i>	7428968	1
	CAP(Bosch)	8 Cyl. exc. L34 Eng.		VS10867	1
	CAP	L34 Eng.		VS12776	1
2.368	SPRING — Distributor cap retaining				
	SPRING(Bosch)	6, 8 Cyl. Eng.		VS10868	2
	SPRING(Lucas)	6 Cyl. Eng.		7428982	2
2.370	BRUSH — Distributor cap				
	BRUSH(Bosch)	6, 8 Cyl. Eng.		7405562	1
	BRUSH(Lucas)	6 Cyl. Eng.		1018694	1
2.371	SHIELD — Distributor moisture				
	SHIELD	4 Cyl. Eng.		1212727	1
2.372	SHAFT — Distributor				
	SHAFT(Bosch)	6 Cyl. Eng.		VS10202	1
	SHAFT(Lucas)	6 Cyl. Eng.		VS12345	1
	SHAFT(Bosch)	8 Cyl. Eng.		VS10849	1
	WASHER - Thrust fibre - Upper & lower	6, 8 Cyl. Eng.		7424746	2

HOLDEN "LH" PARTS CATALOGUE

GROUP	DESCRIPTION	MODEL	SIDE	PART No.	QTY.
2.372	SHAFT — Distributor (contd.)				
	SHIM - Thrust 0.1mm - Upper & lower(Bosch)	6, 8 Cyl. Eng.		7405613	A.R.
	SHIM - Thrust 0.2mm - Upper & lower(Bosch)	6, 8 Cyl. Eng.		7405615	A.R.
	SHIM - Thrust 0.3mm - Upper & lower(Bosch)	6, 8 Cyl. Eng.		7405614	A.R.
2.374	GEAR PACKAGE, GEAR — Distributor				
	GEAR PACKAGE	6 Cyl. Eng.		7423613	1
	GEAR PACKAGE	8 Cyl. Eng.		M37137	1
	GEAR	8 Cyl. Eng.		VS10976	1
2.379	PIN — Distributor gear				
	PIN - Slotted spring	6, 8 Cyl. Eng.		VS10855	1
2.381	CAM — Distributor				
	CAM(Lucas)	2250 Eng.		VS12342	1
	CAM(Bosch)	2850, 3300 Eng.		VS12012	1
	CAM(Lucas)	2850, 3300 Eng.		VS10306	1
	CAM(Bosch)	4.2 Litre Eng.		VS10854	1
	CAM(Bosch)	5 Litre exc. L34 Eng.		VS10988	1
	CAM	L34 Eng.		VS12774	1
	RING - Cam spacer(Bosch)	6, 8 Cyl. Eng.		VS10211	1
	WASHER - Cam retainer(Bosch)	6, 8 Cyl. Eng.		VS12193	1
	CIRCLIP - Cam retainer(Bosch)	6, 8 Cyl. Eng.		VS10204	1
	CIRCLIP - Cam retainer(Lucas)	6 Cyl. Eng.		VS12343	1
2.382	ROTOR — Distributor				
	ROTOR	4 Cyl. Eng.		1212208	1
	ROTOR(Bosch)	6 Cyl. Eng.		7424753	1
	ROTOR(Lucas)	6 Cyl. Eng.		7428869	1
	ROTOR(Bosch)	8 Cyl. exc. L34 Eng.		VS10865	1
	ROTOR	L34 Eng.		VS12775	1
2.384	CONTACT SET — Distributor				
	CONTACT SET	4 Cyl. Eng.		1212229	1
	CONTACT SET(Bosch)	6, 8 Cyl. exc. L34 Eng.		VS10858	1
	CONTACT SET	L34 Eng.		VS12778	2
	CONTACT SET(Lucas)	6 Cyl. Eng.		7139364	1
2.385	PLATE — Distributor breaker				
	PLATE - Breaker	4 Cyl. Eng.		1212833	1
	PLATE & SUPPORT ASSY.(Bosch)	6 Cyl. Eng.		VS10856	1
	PLATE - Breaker base(Lucas)	6 Cyl. Eng.		VS12352	1
	PLATE - Contact breaker bearing(Lucas)	6 Cyl. Eng.		7428972	1
	SCREW - Plate support(Bosch)	6 Cyl. Eng.		VS10861	2
	WASHER - Support screw lock(Bosch)	6, 8 Cyl. Eng.		VS10992	2
	BALL - Plate retaining(Bosch)	6, 8 Cyl. Eng.		7406742	1
	RETAINER - Plate ball(Bosch)	6, 8 Cyl. Eng.		VS10863	1
	PLATE & CONTACT BREAKER ASSY.(Bosch)	8 Cyl. exc. L34 Eng.		VS10857	1
	PLATE & CONTACT BREAKER ASSY.	L34 Eng.		VS12773	1
2.387	SCREW — Distributor				
	SCREW - Contact breaker(Bosch)	6, 8 Cyl. Eng.		7424749	1
	WASHER - Plain(Bosch)	6, 8 Cyl. Eng.		7406900	1
	WASHER - Screw Lock(Bosch)	6, 8 Cyl. Eng.		7406323	1
2.388	WEIGHT — Distributor				
	WEIGHT(Bosch)	6, 8 Cyl. Eng.		VS10205	2
	WEIGHT(Lucas)	6 Cyl. Eng.		7428980	2
	WASHER - Weight spacer(Bosch)	6, 8 Cyl. Eng.		VS10206	2

HOLDEN "LH" PARTS CATALOGUE

GROUP	DESCRIPTION	MODEL	SIDE	PART No.	QTY.
2.389	SPRING — Distributor weight				
	SPRING SET(Lucas)	2250 Eng.		VS12344	1
	SPRING SET(Lucas)	2850, 3300 Eng.		VS12351	1
	SPRING - Light(Bosch)	2850, 3300 Eng.		VS11737	1
	SPRING - Heavy(Bosch)	2850, 3300 Eng.		VS11738	1
	SPRING - Light(Bosch)	4.2 Litre Eng.		VS10853	1
	SPRING - Heavy(Bosch)	4.2 Litre Eng.		VS10852	1
	SPRING - Light(Bosch)	5 Litre Eng.		VS10851	1
	SPRING - Heavy(Bosch)	5 Litre Eng.		VS10986	1
2.393	CONDENSER — Distributor				
	CONDENSER(Lucas)	4 Cyl. Eng.		1212235	1
	CONDENSER(Bosch)	6 Cyl. Eng.	<i>GBS35,</i>	VS10845	1
	SCREW & WASHER - Attaching(Bosch)	6 Cyl. Eng.		VS10982	1
	CONDENSER(Lucas)	6 Cyl. Eng.		7428970	1
	CONDENSER(Bosch)	8 Cyl. Eng.		VS10846	1-2
	SCREW & WASHER - Attaching(Bosch)	8 Cyl. Eng.		VS10982	1-2
2.400	LEAD — Distributor				
	LEAD ASSY. - Low tension(Lucas)	6 Cyl. Eng.	<i>N 44</i>	VS10985	1
	LEAD ASSY. - Earth(Lucas)	6 Cyl. Eng.	<i>N 44</i>	VS12346	1
2.410	VACUUM CONTROL — Distributor				
	VACUUM CONTROL ASSY.	4 Cyl. Eng.		1211106	1
	VACUUM CONTROL ASSY.(Bosch)	2850, 3300 Eng.		VS10869	1
	VACUUM CONTROL ASSY.(Lucas)	6 Cyl. Eng.		VS12340	1
	SCREW & WASHER - Attaching(Bosch)	6 Cyl. Eng.		VS10982	1
	CLIP - Rod attaching(Bosch)	6 Cyl. Eng.		7405638	1
	VACUUM CONTROL ASSY.(Bosch)	4.2 Litre Eng.		VS10870	1
	VACUUM CONTROL ASSY.(Bosch)	5 Litre exc. L34 Eng.		VS11002	1
	SCREW & WASHER - Attaching(Bosch)	8 Cyl. Eng.		VS10982	1
	COVER - Side(Bosch)	L34 Eng.		VS12779	1
	SCREW & WASHER(Bosch)	L34 Eng.		VS10982	2
	CLIP - Rod attaching(Bosch)	8 Cyl. Eng.		7405638	1
2.414	BRACKET, CLAMP, RETAINER — Distributor				
	BRACKET(Lucas)	4 Cyl. Eng.		1212378	1
	BOLT & LOCK WASHER, 8mm x 1.25 x 32mm(Bosch)	4 Cyl. Eng.		2018110	1
	CLAMP(Bosch)	6, 8 Cyl. Eng.		7421939	1
	RETAINER(Bosch)	6, 8 Cyl. Eng.		3770598	1
2.424	PIPE, HOSE — Spark control				
	PIPE(Lucas)	4 Cyl. Eng.		1212108	1
	CLAMP - Pipe to cyl. head(Bosch)	4 Cyl. Eng.		1212501	1
	PIPE ASSY.(Lucas)	2250 Eng.		7426212	1
	HOSE - Pipe to vacuum control(Bosch)	2250 Eng.		2820844	1
	PIPE(Bosch)	2850, 3300 Eng.		9930308	1
	HOSE(Bosch)	2850, 3300 Eng.		(*) 2820844	2
	HOSE(Bosch)	6 Cyl. Eng.		(*) 9936654	2
	HOSE(Bosch)	4.2 Litre Eng.		(*) 7436713	1
	HOSE(Bosch)	5 Litre Eng.		(*) 2807752	1
	HOSE(Bosch)	(A) 8 Cyl. Eng.		(*) 9937659	1
	CLIP - Control pipe to fuel pipe(Bosch)	6 Cyl. Eng.		599119	2
2.447	SWITCH — Stop light				
	SWITCH ASSY.(Lucas)	ALL(Lucas)		2813385	1
	NUT - Switch attaching(Bosch)	ALL(Bosch)		858388	2

Note: (*) Prior to fuel evaporative emission control.
 (**) Use with fuel evaporative emission control.

HOLDEN "LH" PARTS CATALOGUE

GROUP	DESCRIPTION	MODEL	SIDE	PART No.	QTY.
2.459 SWITCH — Dimmer					
	SWITCH ASSY.	ALL		1997037	1
	SCREW	ALL		SP2058	2
2.481 PANEL, BRACKET — Fuse					
	PANEL ASSY.	ALL		2809464	1
	BRACKET - Panel mounting	ALL		2810251	1
	CLIP & TERMINAL ASSY. - Fuse holder	ALL		7418077	2
	FUSE - 3 amp.	ALL		9426341	A.R.
	FUSE - 15 amp.	ALL		9426333	A.R.
	FUSE - 25 amp.	ALL		9426332	A.R.
2.485 SWITCH — Lighting					
	SWITCH ASSY.	ALL <i>MY40302</i> 2824509		2824504	1
2.486 ROD — Lighting switch control					
	ROD ASSY.	ALL	<i>NH4</i>	2824508	1
2.487 BUSHING — Lighting switch					
	BUSHING ASSY.	ALL		9933019	1
2.500 REGULATOR — Voltage and current					
	REGULATOR ASSY.	4 Cyl. Eng.		3472406	1
	SCREW & LOCK WASHER	4 Cyl. Eng.		2909510	1
	REGULATOR ASSY. (Bosch)	6, 8 Cyl. Eng.		VS12381	1
	SCREW	6, 8 Cyl. Eng.		VS12377	2
	WASHER - Flat	6, 8 Cyl. Eng.		7406900	2
	WASHER - Lock	6, 8 Cyl. Eng.		7406323	2
	REGULATOR ASSY. (Lucas)	6, 8 Cyl. Eng.		VS12536	1
2.515 FACIA — Instrument					
	FACIA	UG, VB RIGHT HAND DRIVE		9928350	1
		LEFT HAND DRIVE		9929783	1
	FACIA	UH, VC RIGHT HAND DRIVE		2824574	1
		LEFT HAND DRIVE		9929782	1
	FACIA	VD 6 Cyl. Eng.		2824574	1
	FACIA	VD 4.2 Litre Eng.		2824574	1
	FACIA	VD 5 Litre Eng.		9928350	1
	NUT - 'U' type spring No. 8A	ALL		SP1734	6
	SCREW - Rd hd washer face cr recess tap				
	No. 8 - 18 x .75" (black phos)	ALL		SP2450	2
	SCREW - Oval hd cr recess tap No. 8 - 18 x 1.75"				
	(phos)	ALL		9426438	2
	SCREW - Rd hd washer face cr recess tap				
	No. 8 - 18 x .62" (phos)	ALL		SP2111	2
	SCREW - Pan hd. cr recess tap No. 8 - 18 x .5"				
	(cad or zinc)	ALL		9414712	2
2.515 INSTRUMENT — Combined					
	INSTRUMENT ASSY. - Warning lamps	UG, VB		(* 2824575)	1
	INSTRUMENT ASSY. - Warning				
	lamps (six figure odometer)	UG, VB		(* 9938227)	1
	INSTRUMENT ASSY. - Warning				
	lamps (seven figure odometer)	UG, VB		9940336	1
	INSTRUMENT ASSY. - Warning lamps	UH, VC		(* 9932447)	1
	INSTRUMENT ASSY. - Warning				
	lamps (six figure odometer)	UH, VC		(* 9938229)	1
	INSTRUMENT ASSY. - Warning				
	lamps (seven figure odometer)	UH, VC		9940338	1

Note: (*) Prior to A.D.R. 18.
 (*) With A.D.R. 18.

HOLDEN "LH" PARTS CATALOGUE

GROUP	DESCRIPTION	MODEL	SIDE	PART No.	QTY.
2.515 INSTRUMENT — Combined (contd.)					
	INSTRUMENT ASSY. - Gauges (six figure odometer)	4 Cyl. L34 Eng.		(* 9938230	1
	INSTRUMENT ASSY. - Gauges (seven figure odometer)	4 Cyl. Eng.		9940339	1
	INSTRUMENT ASSY. - Gauges	6, 8 Cyl. Eng.		(* 9929189	1
	INSTRUMENT ASSY. - Gauges (six figure odometer)	6, 8 Cyl. exc. L34 Eng.		(* 9938228	1
	INSTRUMENT ASSY. - Gauges (seven figure odometer)	6, 8 Cyl. exc. L34 Eng.		9940337	1
	SCREW - Pan hd or recess tap No. 8 - 18 x .5" (cad)	ALL		273708	2

Note: (*) Prior to A.D.R. 18.
 (*) With A.D.R. 18.

HOLDEN "LH" PARTS CATALOGUE

2.515 COMPONENTS—Combined instrument assembly

DESCRIPTION INSTRUMENT ASSEMBLY	PART NUMBERS						
	2824575	9938227 9940336	9932447	9938229 9940338	9938230 9940339	9929189	9938228 9940337
BULB	9421330	9421330	9421330	9421330	9421330	9421330	9421330
CASE ASSY.	VS12414	VS12414	VS12410	VS12410	VS12401	VS12401	VS12401
CASE—Screening			(*) VS13061	(*) VS13061			
CLOCK ASSY.	VS12411	VS12411	VS12411	VS12411			
GAUGE ASSY.—Fuel	VS12416	VS12416	VS12416	VS12416			
GAUGE ASSY.—Fuel & temperature					VS12404	VS12404	VS12404
GAUGE ASSY.—Voltmeter & oil pressure					VS12403	VS12403	VS12403
KNOB—Clock reset			(*) VS12408	(*) VS12408			
LEAD—Clock			(*) 9932009	(*) 9932009			
LEAD—Earth			VS12407	VS12407			
BODY—Clock lead			2962448	2962448			
LENS—High beam indicator	VS13132	VS13132	VS13132	VS13132	VS13132	VS13132	VS13132
LENS—Trafficator	VS13133	VS13133	VS13133	VS13133	VS13133	VS13133	VS13133
LENS—Warning (Bat, Temp, Oil)	VS13134	VS13134	VS13134	VS13134	VS13134	VS13134	VS13134
LENS—Warning (Hand brake)	VS13135	VS13135	VS13135	VS13135	VS13135	VS13135	VS13135
MASK ASSY.	VS12413	VS12413	VS12409	VS12409	VS12400	VS12400	VS12400
MASK—Finished					VS12402	VS12402	VS12402
NUT—Clock knob			(*) VS13062	(*) VS13062			
PLATE—Clock reset cover			(*) VS12749	(*) VS12749			
REGULATOR—Voltage <i>h.v.a.</i>	VS12399	VS12399	VS12399	VS12399	VS12399	VS12399	VS12399
SCREW—Clock retaining			(*) VS12748	(*) VS12748			
SCREW—Clock reset assy.			(*) VS12750	(*) VS12750			
SHAFT—Clock reset			(*) VS12747	(*) VS12747			
SHAFT—Clock reset lever			(*) VS12744	(*) VS12744			
SMALL PARTS KIT—Clock installation	M37568	M37568					
SPEEDOMETER ASSY.	VS12417	<i>N/A</i>	VS12417	VS12417		VS12406	
SPRING—Clock reset gear shaft			(*) VS12746	(*) VS12746			
TACHOMETER ASSY.					VS12709	<i>X</i> VS12405	<i>X</i> VS12405
WASHER—Clock reset gear shaft			(*) VS12745	(*) VS12745			

Note: (*) Component of installation kit M37568.

HOLDEN "LH" PARTS CATALOGUE

GROUP	DESCRIPTION	MODEL	SIDE	PART No.	QTY.
2.520	LEAD — Tachometer				
	LEAD ASSY.	6 Cyl. Eng.		9931934	1
	LEAD ASSY.	4.2 Litre Eng.	LEFT HAND DRIVE	9931934	1
	LEAD ASSY.	8 Cyl. Eng.	RIGHT HAND DRIVE	9931935	1
	BODY - Single female lock connector	6, 8 Cyl. Eng.		2977253	1
2.555	HARNESS — Engine				
	HARNESS ASSY. - Warning lamps	4 Cyl. Eng.		2825836	1
	HARNESS ASSY. - Gauges	4 Cyl. Eng.		9931011	1
	LEAD - Generator ground	4 Cyl. Eng.		1280484	1
	HARNESS ASSY.	6 Cyl. Eng. exc. Air Cond.		9931987	1
	HARNESS ASSY.	6 Cyl. Eng. Air Cond.		9931988	1
	HARNESS ASSY.	4.2 Litre Eng.	LEFT HAND DRIVE	9930752	1
	HARNESS ASSY.	8 Cyl. Eng.	RIGHT HAND DRIVE	9928843	1
	BODY - 3 way female connector	4 Cyl. Eng.		8905116	1
	BODY - Single female connector	4 Cyl. Eng.		2977253	1
	BODY - Single panel connector (short)	4 Cyl. Eng.		2962448	1
	BODY - Single female connector - Warning lamps ..	6 Cyl. Eng.		2977253	1
	BODY - Single female terminal	6, 8 Cyl. Eng.		6294142	1
	BODY - Single panel connector (short)		RIGHT HAND DRIVE	2962448	1
	BODY - 6 way female connector	ALL		6288538	1
	CLIP - Harness to clutch/ converter housing	4 Cyl. Eng.		SP2423	1
	CLIP - Harness to vacuum advance pipe	4 Cyl. Eng.		599119	2
	CLIP - Harness to dash panel	4, 6 Cyl. Eng.		7413370	A.R.
	CLIP - Harness to clutch/ converter housing	6 Cyl. Eng.		SP2424	1
	CLIP - Harness to starter motor	6 Cyl. Eng.		SP2423	1
	CLIP - Harness to push rod cover	6 Cyl. Eng.		SP2422	1
	CLIP - Harness to oil pan	6 Cyl. Eng.		SP2555	2
	CLIP - Harness to valve rocker cover	6 Cyl. Eng.		7413031	2
	CLIP - Harness to R.H. valve rocker cover	8 Cyl. Eng.		7413032	2
	CLIP - Harness conduit to block	8 Cyl. Eng.		SP2512	1
	CLIP - Harness to cylinder head	8 Cyl. Eng.		SP2423	1
	CLIP - Harness to inlet manifold	8 Cyl. Eng.		SP2423	1
	CLIP - Harness to dash panel flange		RIGHT HAND DRIVE	2818034	2
	CLIP - Harness to valve rocker cover	ALL		7414620	A.R.
	LINK - Fusible	ALL		7449910	1
2.555	HARNESS — Main wiring				
	HARNESS ASSY. - Warning lamps	(M) 4 Cyl. Eng.		9930739	1
	HARNESS ASSY. - Gauges	(M) 4 Cyl. Eng.		9930741	1
	HARNESS ASSY. - Warning lamps	(A) 4 Cyl. Eng.		9930740	1
	HARNESS ASSY. - Gauges	(A) 4 Cyl. Eng.		9930742	1
	HARNESS ASSY. - Warning lamps	(M) 6, 8 Cyl. Eng.	RIGHT HAND DRIVE	2825841	1
			LEFT HAND DRIVE	2825847	1
	HARNESS ASSY. - Gauges	(M) 6, 8 Cyl. Eng.	RIGHT HAND DRIVE	2825843	1
			LEFT HAND DRIVE	2825849	1
	HARNESS ASSY. - Warning lamps	(A) 6, 8 Cyl. Eng.	RIGHT HAND DRIVE	2825842	1
			LEFT HAND DRIVE	2825848	1
	HARNESS ASSY. - Gauges	(A) 6, 8 Cyl. Eng.	RIGHT HAND DRIVE	2825844	1
			LEFT HAND DRIVE	2825850	1

HOLDEN "LH" PARTS CATALOGUE

GROUP	DESCRIPTION	MODEL	SIDE	PART No.	QTY.
2.555	HARNES — Main wiring (contd.)				
	BODY - Single panel connector (short) - Warning lamps	(M) 4, 6 Cyl. Eng.		2962448	8
	BODY - Single panel connector (short) - Gauges	(M)		2962448	9
	BODY - Single panel connector (short) - Warning lamps	(A) 4, 6 Cyl. Eng.	RIGHT HAND DRIVE	2962448	11
	BODY - Single panel connector (short) - Warning lamps	(A) 6 Cyl. Eng.	LEFT HAND DRIVE	2962448	10
	BODY - Single panel connector (short) - Gauges	(A)	RIGHT HAND DRIVE	2962448	12
	BODY - Single panel connector (short) - Gauges	(A) 6, 8 Cyl. Eng.	LEFT HAND DRIVE	2962448	11
	BODY - Single male connector - Warning lamps	4 Cyl. Eng.		2984528	1
	BODY - Single male connector - Gauges	6, 8 Cyl. Eng.		2984528	2
	BODY - 3 way male connector - Warning lamps	6, 8 Cyl. Eng.	RIGHT HAND DRIVE	8905117	1
	BODY - 2 way female connector - Warning lamps ..	(M) 6 Cyl. Eng.	LEFT HAND DRIVE	2962967	1
	BODY - 2 way female connector	(M)	RIGHT HAND DRIVE	2962967	1
	BODY - 2 way female connector	(A)	RIGHT HAND DRIVE	2962967	2
	BODY - Single female connector	ALL		6294142	1
	BODY - 2 way female connector	ALL		2962679	1
	BODY - 3 way female connector	ALL		8905116	1
	BODY - 3 way female connector	ALL		2962449	2
	BODY - 3 way female lock connector	ALL		2984164	1
	BODY - 6 way male connector	ALL		6288539	1
	BODY - 6 way female connector	ALL		6294643	1
	BODY - 6 way female connector	ALL		6288538	1
	BODY - 8 way female connector	ALL		2984169	1
	BODY - 11 way female connector	ALL		9928644	3
	BODY - Flasher connector	ALL		2962910	1
	BODY - Windshield washer switch connector	ALL		7434201	1
	GROMMET	ALL		2824585	1
	RETAINER - Harness to windshield washer hose	ALL		9930474	1
	CLIP - Harness to dash panel		RIGHT HAND DRIVE	7413031	1
	CLIP - Harness to plenum chamber		RIGHT HAND DRIVE	7413032	7
	CLIP - Harness to plenum chamber		LEFT HAND DRIVE	7413031	1
	CLIP - Harness to dash panel		RIGHT HAND DRIVE	2818034	1
	CLIP - Harness to dash panel	6, 8 Cyl. Eng.	LEFT HAND DRIVE	7413370	2
	CLIP - Harness to plenum chamber	6, 8 Cyl. Eng.	LEFT HAND DRIVE	7413031	4
	CLIP - Brake pressure switch lead to brake pipe	ALL		SP2225	1-2
2.555	HARNES — Instrument				
	HARNES ASSY. - Warning lamps	ALL		9930996	1
	HARNES ASSY. - Gauges	ALL		9930997	1
	SOCKET - Bulb holder - Warning lamps	ALL		2815952	11
	SOCKET - Bulb holder - Gauges	ALL		2815952	9
	BODY - Single panel connector (short)	ALL		2962448	2
	BODY - Single panel connector (short) - Gauges	ALL		2962448	1
	BODY - Single button contact connector	ALL		2962965	1
	BODY - 11 way male connector	ALL		9928643	1
	CLIP - Harness	ALL		SP2437	1
2.555	HARNES — Lighting				
	HARNES ASSY.		RIGHT HAND DRIVE	9931984	1
			LEFT HAND DRIVE	9931787	1
	SOCKET - Bulb holder	ALL		2815952	2
	BODY - Headlamp connector	ALL		2824076	2
	BODY - Single panel connector (short)	ALL		2962448	3
	BODY - 2 way female connector	ALL		2962551	1
	BODY - 3 way female connector	ALL		2962449	1
	BODY - 3 way male connector	ALL		8905117	1
	BODY - 6 way male connector	ALL		6288539	1
	CLIP - Harness to radiator support panel	ALL		7413370	4
	CLIP - Harness to fender skirt	ALL		SP2418	A.R.
	RETAINER - Harness to fender	ALL		9930474	1

HOLDEN "LH" PARTS CATALOGUE

GROUP	DESCRIPTION	MODEL	SIDE	PART No.	QTY.
2.585	BULB — Parking lamp				
	BULB - 12-16V, 2 C.P.	ALL		9421330	2
2.586	BODY and CABLE — Turn signal lamp				
	BODY & CABLE ASSY.	ALL		9928578	2
	NUT - No. 10 - 24 "U" Type	ALL		SP2436	4
	BODY - Male connector	ALL		2962984	2
	GROMMET - Cable thru radiator support	ALL		SP1099	2
	SPRING - Lamp socket	ALL		7402293	2
	BULB - 12-16V, 32 C.P.	ALL		9417866	2
2.589	LENS - Turn signal lamp				
	LENS	ALL		9928582	2
	SCREW - Lens to lamp body	ALL		SP2435	2
2.590	GASKET — Turn signal lamp				
	GASKET	ALL		9928583	2
2.679	LAMP, BASE, BULB — Tall, stop and turn signal				
	LAMP ASSY.	UG, VB exc. G Pak		2822978	2
	LAMP ASSY.	VD, G Pak		9934642	2
	LAMP ASSY. - White back-up lens (Optional export only)	UG, VB		2824015	2
	LAMP ASSY. - White back-up lens (Optional export only)	VD		9934643	2
	LAMP ASSY.	UH, VC		9929263	2
	LAMP ASSY. - White back-up lens (Optional export only)	UH, VC		9929264	2
	BASE ASSY.	ALL		2822977	2
	BASE ASSY. - White back-up lens (Optional export only)	ALL		2824016	2
	NUT - Lamp assy. to body	ALL		SP1900	8
	BULB - Stop and tail 12-16V, 32-4 c.p.	ALL		9417867	2
	BULB - Turn signal and back-up 12-16V, 32 c.p.	ALL		9417866	2
2.682	LENS — Tall, stop and turn signal lamp				
	LENS ASSY.	UG, VB exc. G Pak		2822978	2
	LENS ASSY.	VD, G Pak		9934640	2
	LENS ASSY. - White back-up lens (Optional export only)	UG, VB		2824017	2
	LENS ASSY. - White back-up lens (Optional export only)	VD		9934641	2
	LENS ASSY.	UH, VC		2825419	2
	LENS ASSY. - White back-up lamp (Optional export only)	UH, VC		2825420	2
	SCREW - Lens to base	ALL		SP2394	10
	NUT - Lens to base screw	ALL		SP2392	10
2.684	GASKET — Tall, stop and turn signal lamp				
	GASKET - Lamp to body	ALL		2822979	2
2.687	SWITCH - Back-up lamp				
	(Refer group 4.054 for automatic trans. switch assy.)				
	SWITCH ASSY.	(M) 4 Speed Trans., 4 Cyl. Eng.		(²² 2815271	1
	SWITCH ASSY.	(M) 4 Speed Trans., 4 Cyl. Eng.		(²³ 8968032	1
	LEAD - Switch to main wiring harness	(M) 4 Speed Trans., 4 Cyl. Eng.		(²¹ 9936584	1
	SWITCH ASSY.	(M) 3 Speed Trans.		7434465	1
	SWITCH ASSY.	(M) 4 Speed Trans. 6, 8 Cyl. Eng.		2815271	1

Note: (²¹ Use with 1st type transmission.
(²² Use with 2nd type transmission.

HOLDEN "LH" PARTS CATALOGUE

GROUP	DESCRIPTION	MODEL	SIDE	PART No.	QTY.
2.700	LAMP and LEAD — Rear licence plate				
	LAMP & LEAD ASSY.	ALL		2824653	1
	SOCKET - Bulb holder	ALL		5297797	1
	SPRING - Lamp socket	ALL		2962243	1
	BULB - 12V 6 Watt	ALL		SP1467	1
	GROMMET - Lamp lead, .58" dia.	ALL		SP2059	1
	GROMMET - Lamp lead	ALL		7418703	1
2.706	BEZEL — Licence plate lamp				
	BEZEL	ALL		7439633	1
2.709	LENS — Licence plate lamp				
	LENS	ALL		7439643	1
2.726	RING — Headlamp mounting				
	RING	Round headlamp		7447111	2
	RING	Rectangular headlamp		2823345	2
2.727	SEALED BEAM UNIT — Headlamp				
	SEALED BEAM UNIT	4 Cyl. Eng.		2823661	2
	SEALED BEAM UNIT	6, 8 Cyl. Eng. Rectangular		2823282	2
		RIGHT HAND DRIVE		9928818	2
		LEFT HAND DRIVE		9932805	2
	SEALED BEAM UNIT	8 Cyl. Eng. - Round		9932805	2
2.728	RIM — Headlamp				
	RIM	Round headlamp		2824786	2
	RIM	Rectangular headlamp		2824786	2
	SCREW - Rd. hd. washer face cr. recess tap No. 8 - 18 x .62"	ALL		SP2370	4
	NUT - Upper	ALL		SP1733	4
	SCREW - Rd. hd. washer face cr. recess tap No. 8 - 18 x .62"	Round headlamp		SP2370	2
	NUT - Lower	Round headlamp		SP2215	2
	SCREW - Rd. hd. washer face cr. recess tap No. 8 - 18 x 1.375"	Rectangular headlamp		SP2368	2
	NUT - Lower	Rectangular headlamp		SP2362	2
2.729	NUT — Headlamp adjusting				
	NUT	ALL		7432889	4
2.731	RING - Headlamp retaining				
	RING	Round headlamp		9937561	2
	RING	Rectangular headlamp		2823354	2
	SCREW - Retaining ring to mounting ring	ALL		SP1867	6
2.737	SCREW — Headlamp adjusting				
	SCREW	ALL		7432888	4
2.737	SPRING — Light unit retaining				
	SPRING	ALL		7448437	2
2.810	HORN				
	HORN ASSY. - Low note (R.V.B.)	ALL		2825531	1
	HORN ASSY. - High note (R.V.B.)	VC, VD		2825509	1
	HORN ASSY. - High note package (R.V.B.)	UG, UH, VB		2825886	1
	SCREW & WASHER ASSY. - Horn to radiator panel	ALL		SP2518	1-2
	LEAD ASSY. - Low note horn to high note horn jumper	VC, VD		9931729	1
	BODY - Single panel - Connector (short)	VC, VD		2962448	2
	BODY - Male connector	VC, VD		2962984	1

HOLDEN "LH" PARTS CATALOGUE

GROUP	DESCRIPTION	MODEL	SIDE	PART No.	QTY.
2.815	RELAY — Horn				
	RELAY	ALL	<i>M79406</i>	992835T	1
2.819	SCREW — Horn contact adjusting				
	SCREW	VD, G Pak		2822614	2
2.820	BUTTON and EMBLEM — Horn				
	BUTTON & EMBLEM ASSY.	VD, G Pak		9931400	1
	SCREW - Button & emblem to adaptor	VD, G Pak		SP2249	6
2.822	SUPPORT and RING — Horn contact				
	SUPPORT & RING ASSY.	UG, UH, VC	RIGHT HAND DRIVE	2825388	1
	SUPPORT & RING ASSY.	VB exc. G Pak	RIGHT HAND DRIVE	2825388	1
	SUPPORT & RING ASSY.		LEFT HAND DRIVE	2825404	1
	SUPPORT & RING ASSY.	VD, G Pak		2816312	1
	SCREW - Support & ring assy. to steering wheel	ALL		SP1768	2
2.824	ADAPTOR — Horn button				
	ADAPTOR	VD, G Pak		2816892	1
	SCREW - Adaptor to steering wheel	VD, G Pak		7424198	4
	SPRING - Adaptor to steering wheel	VD, G Pak		7449079	4
2.830	BAR — Horn actuating				
	BAR - Black	UG, VB exc. G Pak		2825323BA	1
	BAR - Black	UH, VC		2825558BA	1
	BAR - Dark Ash	UH, VC		2825558DD	1
	BAR - Chestnut	UH, VC		2825558DG	1
	BAR - Dark Grey	UH, VC		2825558DS	1
	BAR - Tan	UH, VC		2825558DX	1
	BAR - Covert	UH, VC		2825558DY	1
	SCREW - Horn bar to steering wheel	UG, UH, VC		9426378	2
	SCREW - Horn bar to steering wheel	VB exc. G Pak		9426378	2
	LEAD ASSY. - Horn bar earth	UG, UH, VC		2825523	1
	LEAD ASSY. - Horn bar earth	VB exc. G Pak		2825523	1
	BODY - Single panel connector (Short)	UG, UH, VC		2962448	1
	BODY - Single panel connector (Short)	VB exc. G Pak		2962448	1
2.892	FLASHER — Turn signal				
	FLASHER ASSY.	ALL		7436254	1
	CLIP - Flasher to steering column brace	ALL		7417478	1
2.893	BULB — Turn signal indicator				
	BULB - 12-16V, 2 c.p.	ALL		9421330	2
2.895	SWITCH — Turn signal lamp				
	SWITCH ASSY.		RIGHT HAND DRIVE	<i>dnA</i> 9929792	1
			LEFT HAND DRIVE	2824906	1
	SPRING - Switch	ALL		1967685	1
	SPRING - Switch detent	ALL		1846722	1
	SPRING - Switch cancel	ALL		1964785	1
			LH	1964784	1
			RH	9928643	1
	BODY - 11 way male connector	ALL		SP1768	3
	SCREW - Switch to housing	ALL		SP2341	1
	CLIP - Switch harness to ignition switch screw	ALL			
2.897	LEVER, KNOB — Turn signal lamp switch				
	LEVER		RIGHT HAND DRIVE	2814701	1
			LEFT HAND DRIVE	9928812	1
	KNOB - Black	ALL		2814702BA	1
	KNOB - Dark Ash	UH, VC		2814702DD	1
	KNOB - Chestnut	UH, VC		2814702DG	1

HOLDEN "LH" PARTS CATALOGUE

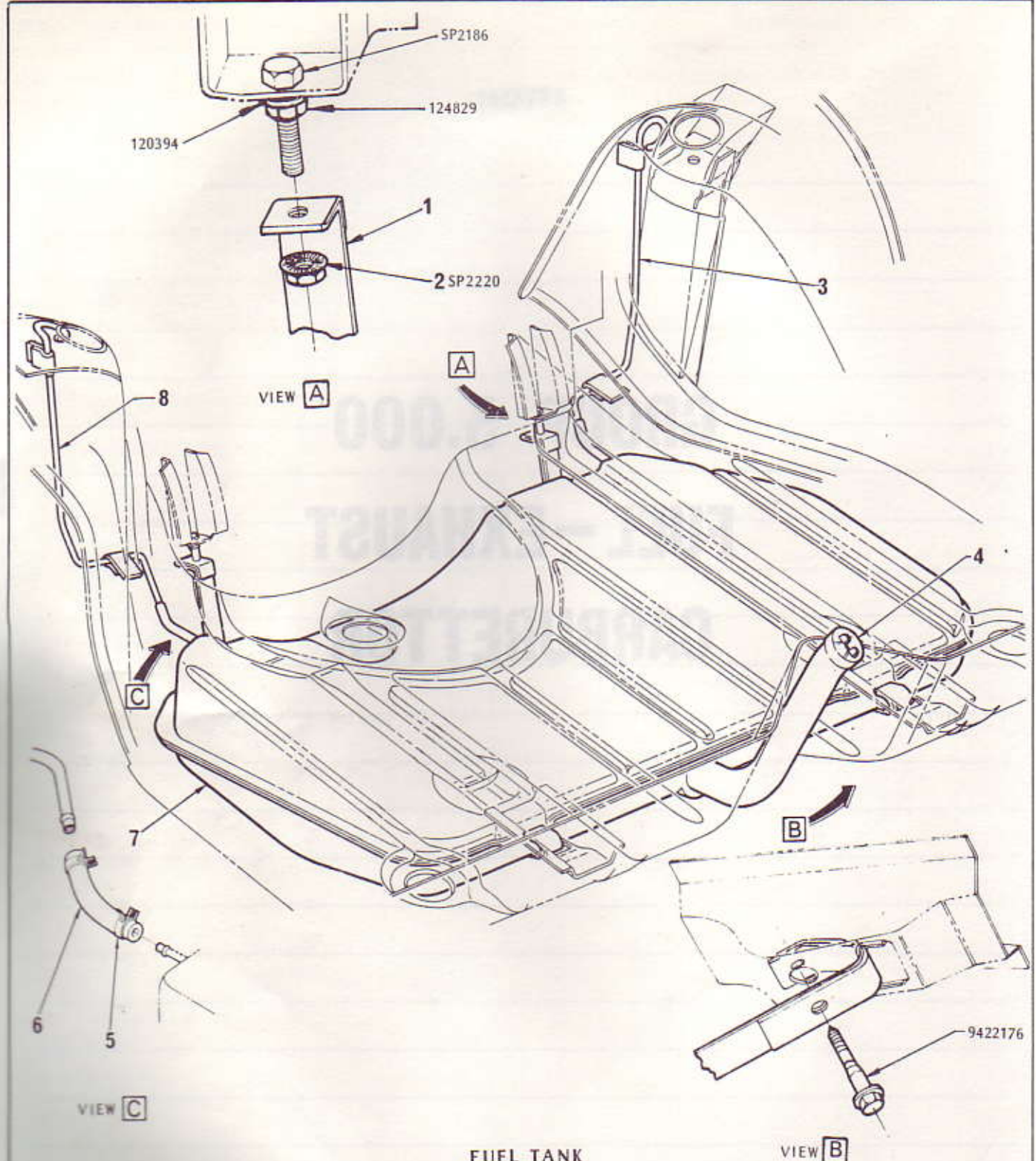
GROUP	DESCRIPTION	MODEL	SIDE	PART No.	QTY
2.897	LEVER, KNOB — Turn signal lamp switch (contd.)				
	KNOB - Dark Grey	UH, VC		2814702DS	1
	KNOB - Tan	UH, VC		2814702DX	1
	KNOB - Coverl	UH, VC		2814702DY	1

GROUP 3.000
FUEL - EXHAUST
CARBURETTOR

NOTES

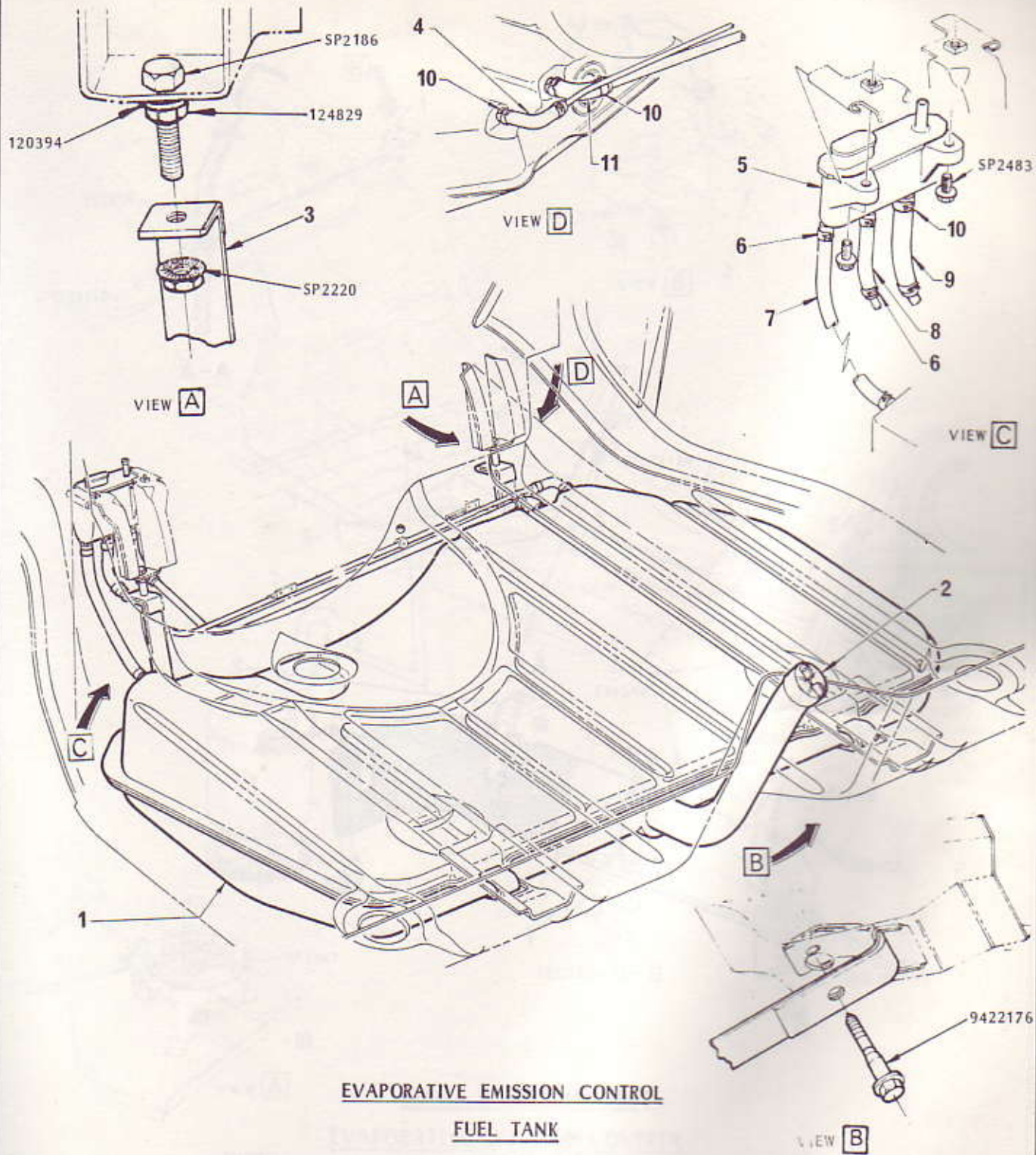


GROUP 3.000
FUEL - EXHAUST
CARBURETTOR



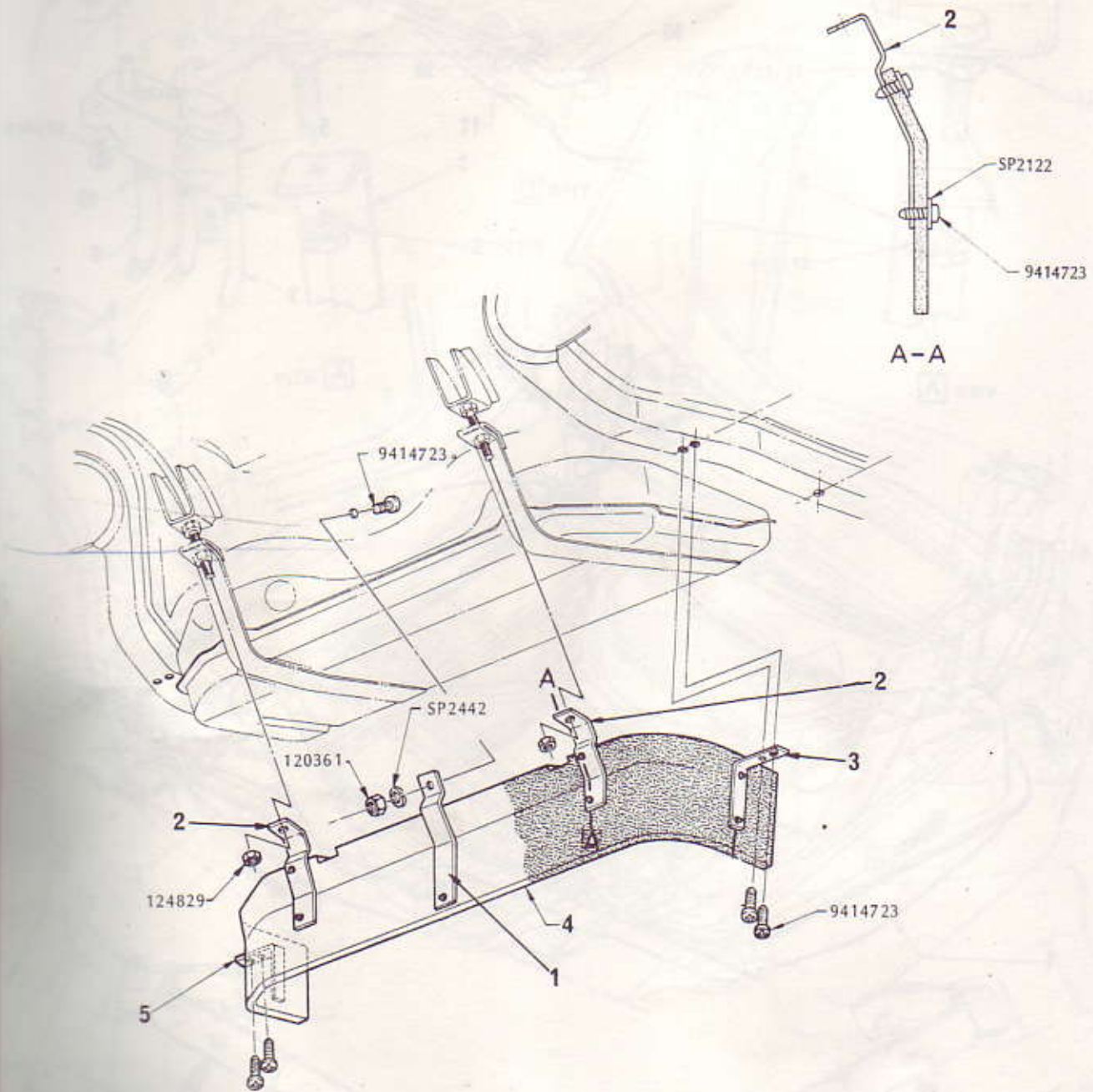
FUEL TANK
Prior to Evaporative Emission Control

ILLUS. REF. NO.	PART NAME	GROUP	ILLUS. REF. NO.	PART NAME	GROUP
1.	STRAP - Tank support	3.001	5.	CLAMP - Hose	3.003
2.	NUT - Strap to front mounting	3.001	6.	HOSE - Vent pipe	3.003
3.	PIPE - Vent upper, RH	3.003	7.	TANK ASSEMBLY	3.001
4.	CAP ASSEMBLY - Fuel tank filler	3.028	8.	PIPE - Vent upper, LH	3.003



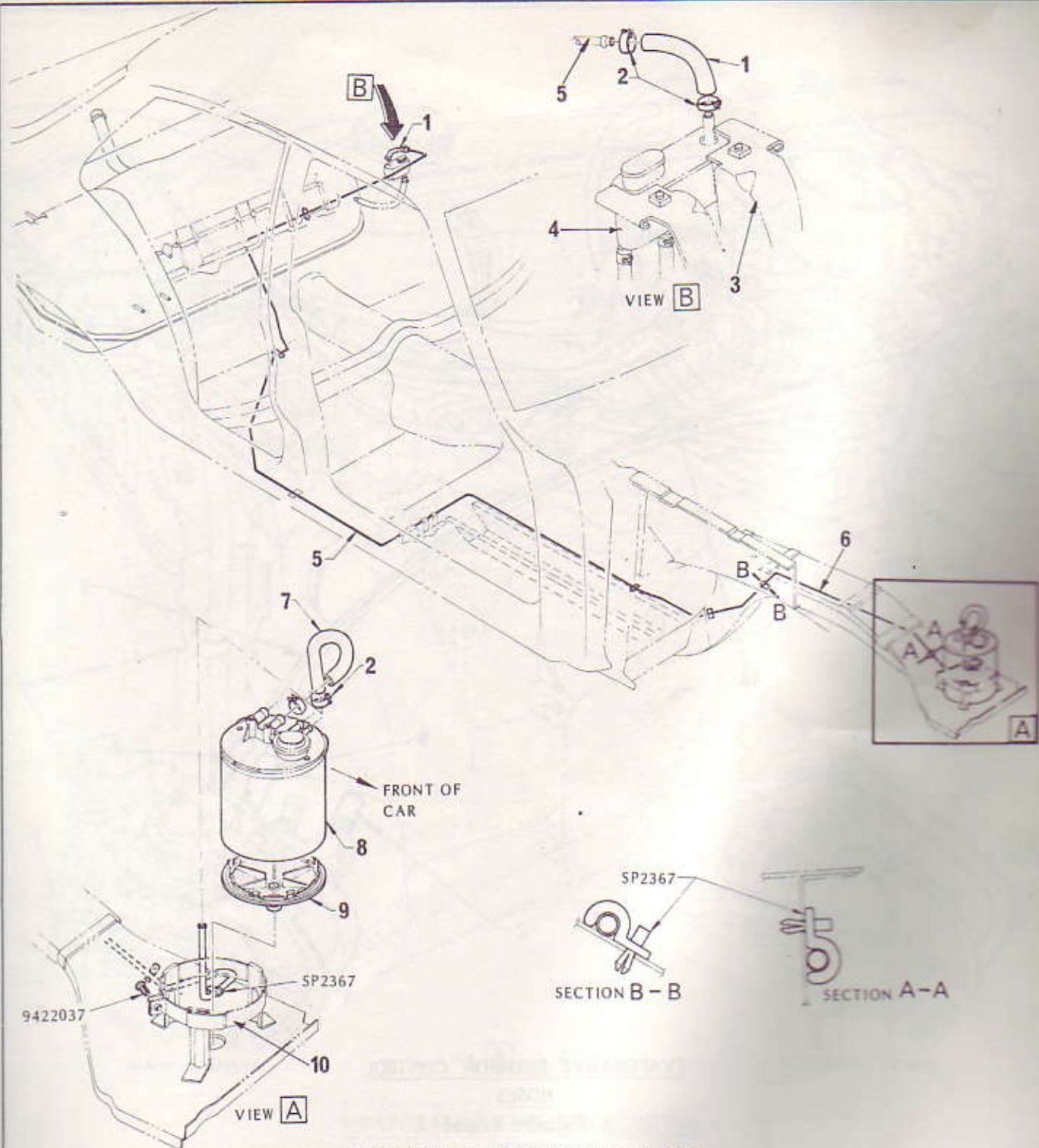
EVAPORATIVE EMISSION CONTROL
FUEL TANK

ILLUS. REF. NO.	PART NAME	GROUP	ILLUS. REF. NO.	PART NAME	GROUP
1.	TANK ASSY.	3.001	7.	HOSE - Separator to LH front pipe	3.120
2.	CAP ASSY. - Fuel tank filler	3.028	8.	HOSE - Separator to RH front pipe	3.120
3.	STRAP - Tank support	3.001	9.	HOSE - Separator to RH rear pipe	3.120
4.	CLAMP - Hose to pipe & fuel tank	3.120	10.	CLAMP - Hose to pipe	3.120
5.	SEPARATOR - Fuel	3.120	11.	HOSE - Pipe RH rear to fuel tank	3.120
6.	CLIP - Hose to separator & fuel tank	3.120			



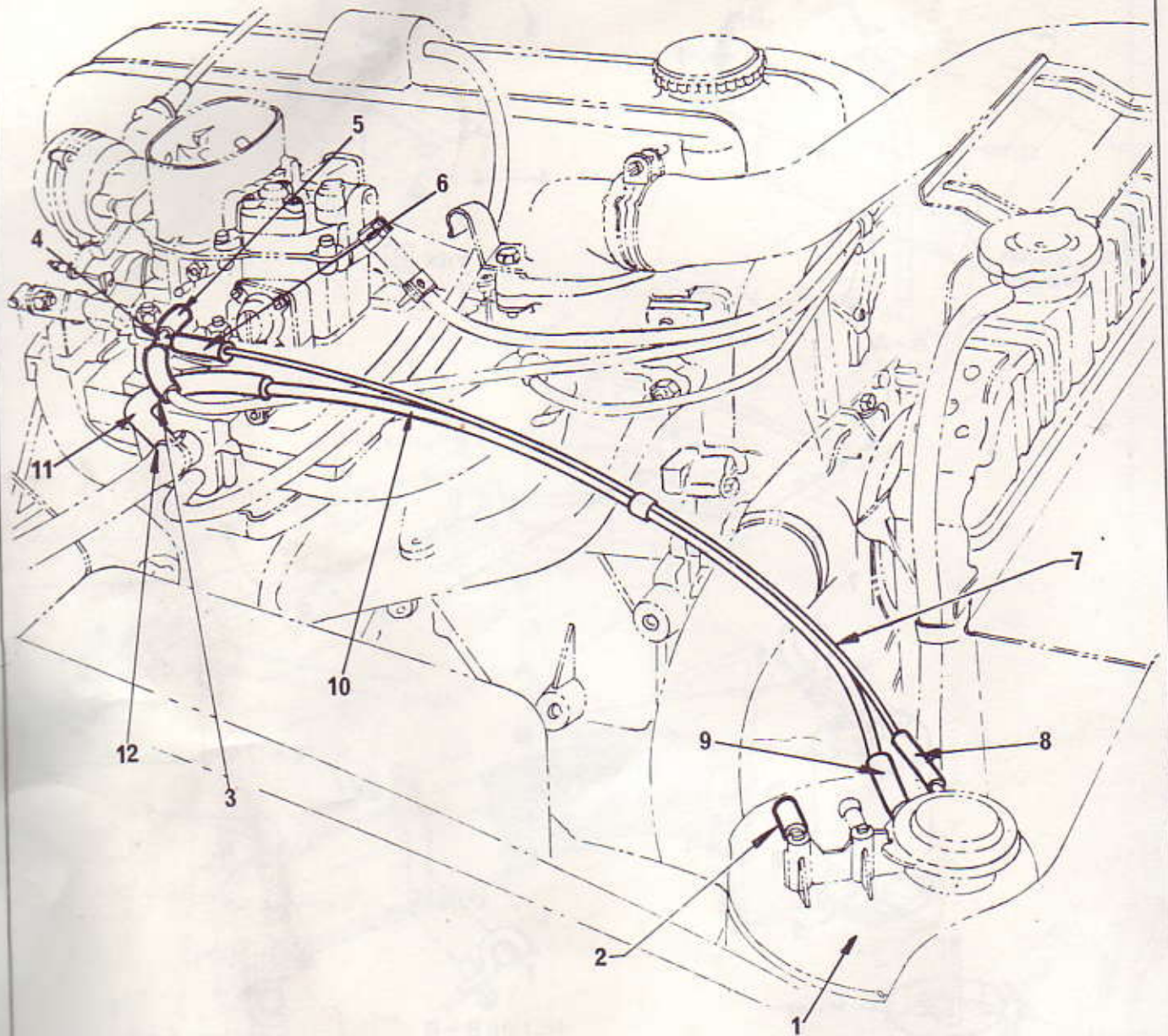
FUEL TANK STONE GUARD

ILLUS. REF. NO.	PART NO.	GROUP
1.	BRACKET - Stone guard front centre	3.001
2.	BRACKET - Stone guard front	3.001
3.	BRACKET - Stone guard LH	3.001
4.	GUARD - Stone	3.001
5.	BRACKET - Stone guard RH	3.001



**EVAPORATIVE EMISSION CONTROL
PIPES and HOSES**

ILLUS. REF. NO.	PART NAME	GROUP	ILLUS. REF. NO.	PART NAME	GROUP
1.	HOSE - Separator to pipe	3.120	6.	PIPE - Separator to canister - Front	3.120
2.	CLAMP - Hose to pipe - 9/16"	3.120	7.	HOSE - Pipe to canister	3.120
3.	BRACKET - Fuel tank & separator	3.001	8.	CANISTER	3.130
4.	SEPARATOR ASSEMBLY	3.120	9.	CAP - Canister drain	3.130
5.	PIPE - Separator to canister - Rear	3.120	10.	SUPPORT - Canister	3.130

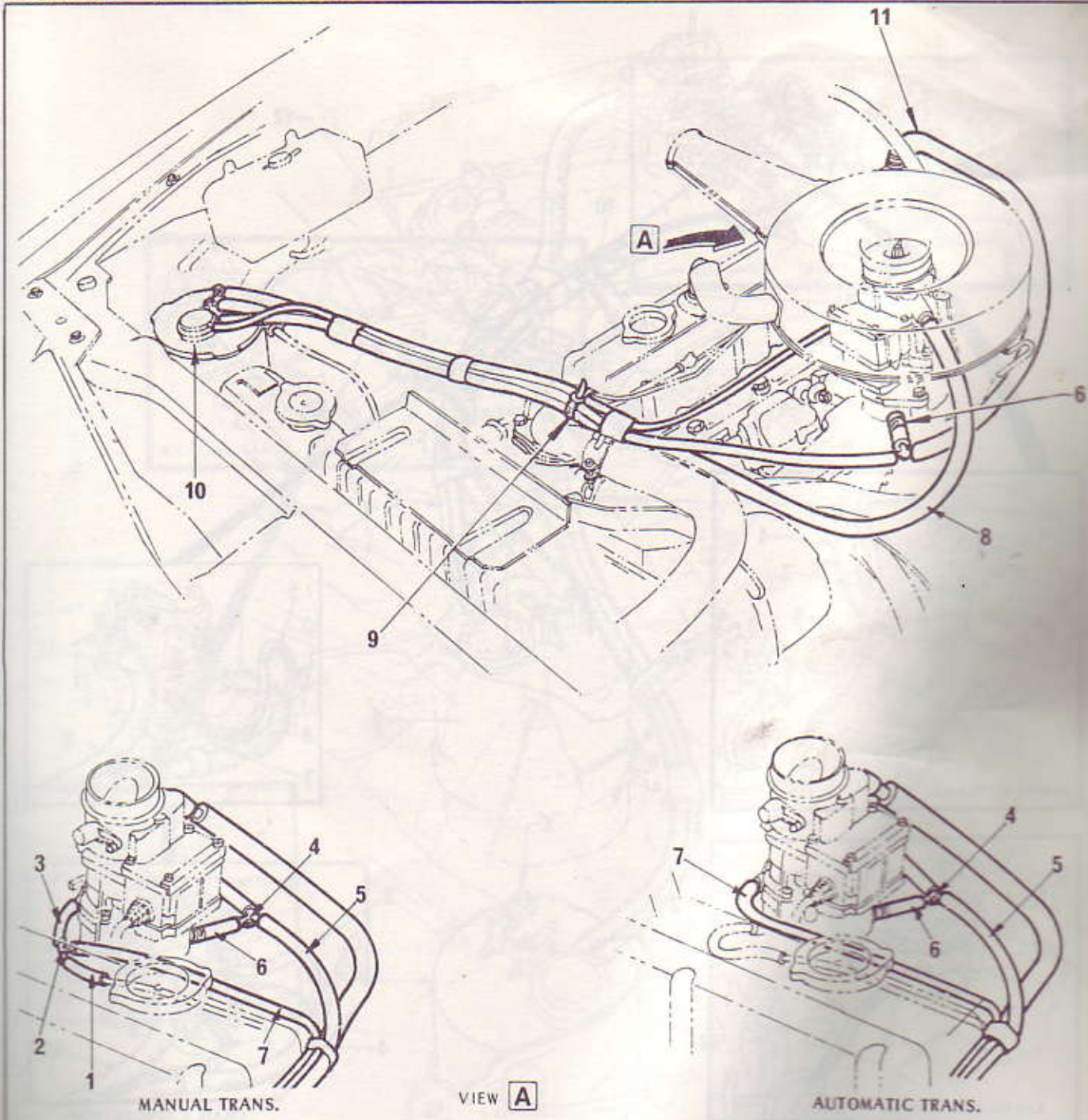


EVAPORATIVE EMISSION CONTROL

HOSES

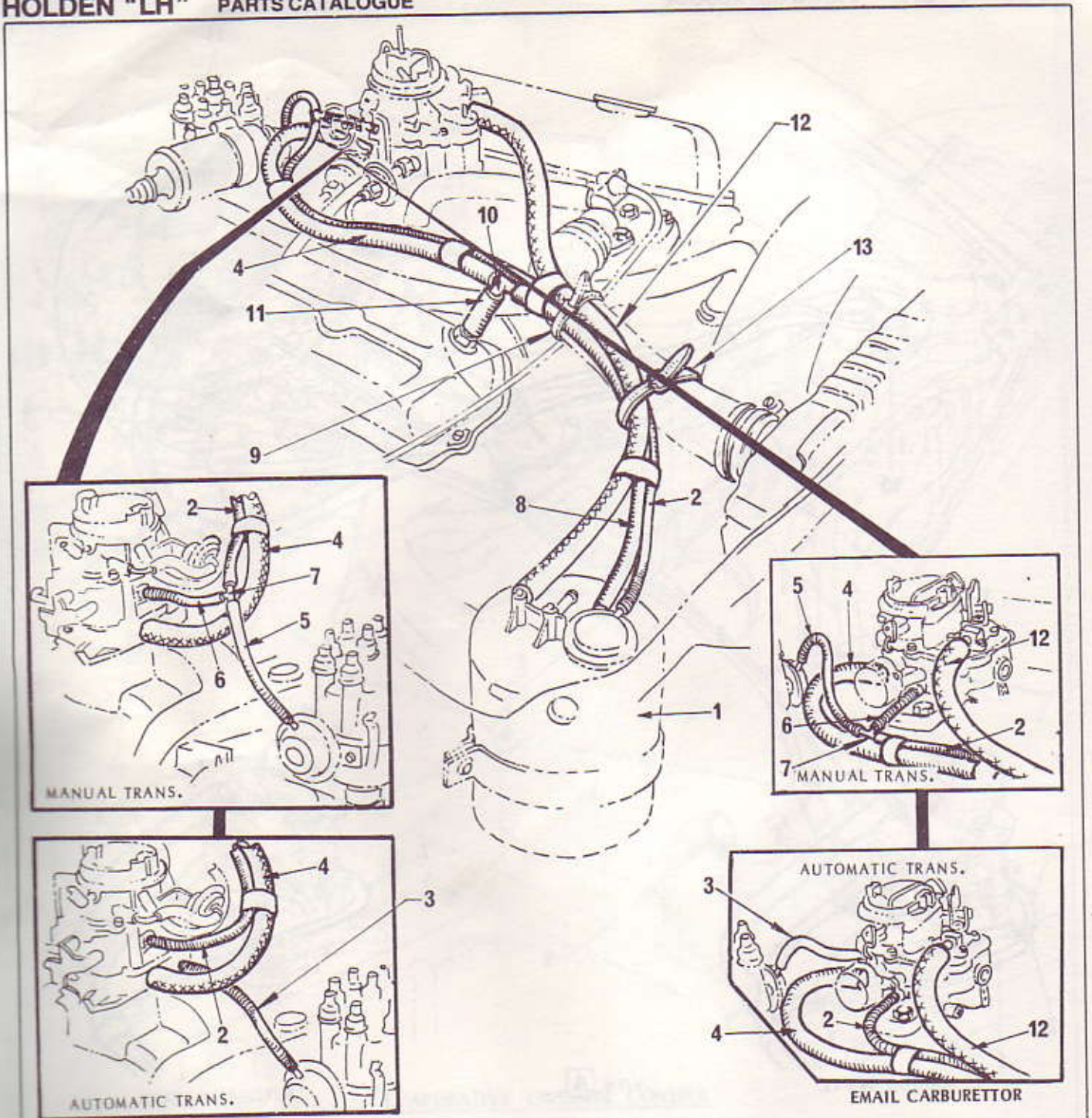
4 Cylinder Engine

ILLUS. REF. NO.	PART NAME	GROUP	ILLUS. REF. NO.	PART NAME	GROUP
1.	CANISTER	3.130	7.	TUBE - Canister to vacuum tee	3.120
2.	CAP - Canister sealing	3.130	8.	HOSE - Canister tube to canister	3.120
3.	HOSE - Vacuum tee to spark control pipe	3.120	9.	HOSE - Purge tube to canister	3.120
4.	TEE - Ported vacuum	3.120	10.	TUBE - Canister purge	3.120
5.	HOSE - Vacuum tee to carburettor	3.120	11.	HOSE - Purge tube to adaptor	3.120
6.	HOSE - Canister tube to tee	3.120			



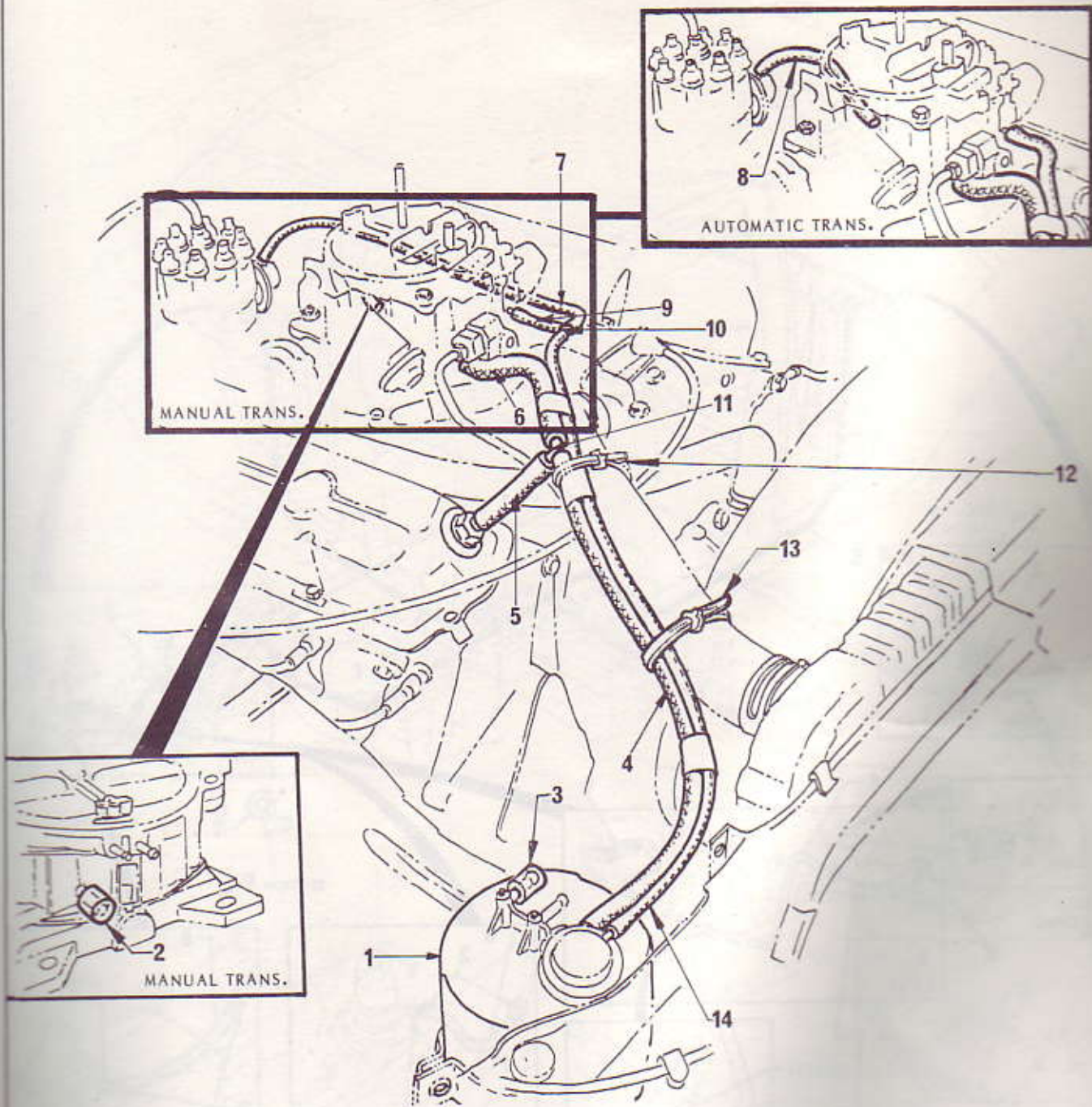
**EVAPORATIVE EMISSION CONTROL
HOSES
6 Cylinder Engines**

ILLUS. REF. NO.	PART NAME	GROUP	ILLUS. REF. NO.	PART NAME	GROUP
1.	HOSE - Vacuum tee to distributor	3.120	7.	HOSE - Canister to vacuum	3.120
2.	TEE - Ported vacuum	3.120	8.	HOSE - Canister to carburettor bowl vent	3.120
3.	HOSE - Vacuum tee to carburettor	3.120	9.	STRAP - Hoses	3.120
4.	TEE - P.C.V.	3.120	10.	CANISTER	3.130
5.	HOSE - Canister to P.C.V. tee	3.120	11.	HOSES - P.C.V. tee to valve	3.120
6.	HOSE - P.C.V. tee to manifold	3.120			



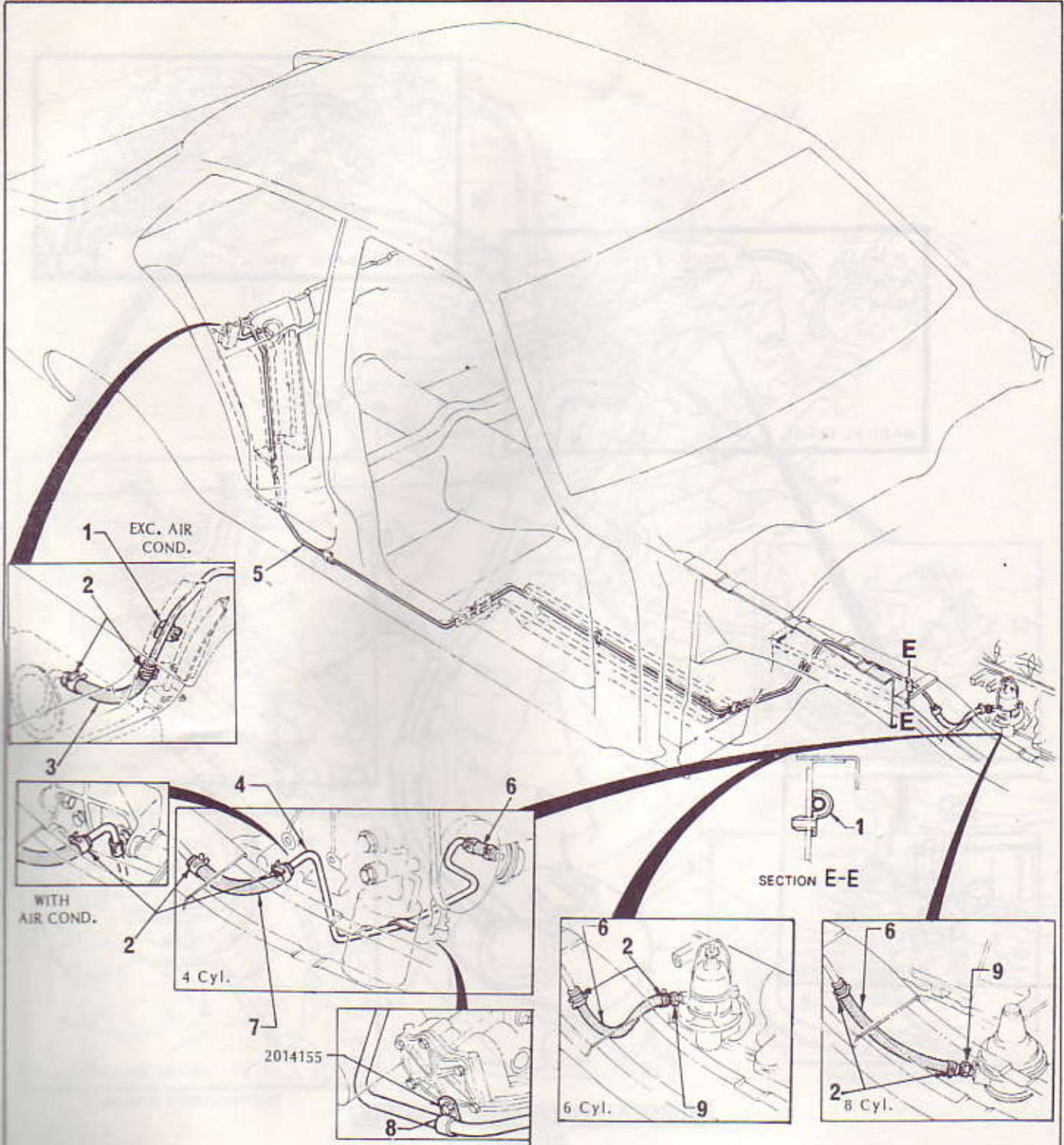
**EVAPORATIVE EMISSION CONTROL
HOSES
4.2 Litre Engine**

ILLUS. REF. NO.	PART NAME	GROUP	ILLUS. REF. NO.	PART NAME	GROUP
1.	CANISTER	3.130	8.	HOSE - Canister to P.C.V. tee	3.120
2.	HOSE - Canister to carb./ported vac. tee..	3.120	9.	STRAP - Hoses to radiator hose - 12.018''	3.120
3.	HOSE - Spark control	2.424	10.	TEE - P.C.V.	3.120
4.	HOSE - P.C.V. tee to carburettor	3.120	11.	HOSE - P.C.V. to tee	3.120
5.	HOSE - Vacuum tee to distributor	3.120	12.	HOSE - Canister to carby. bowl vent	3.120
6.	HOSE - Vacuum tee to carburettor.....	3.120	13.	STRAP - Hoses to radiator hose - 8.50''	3.120
7.	TEE - Ported vacuum	3.120			



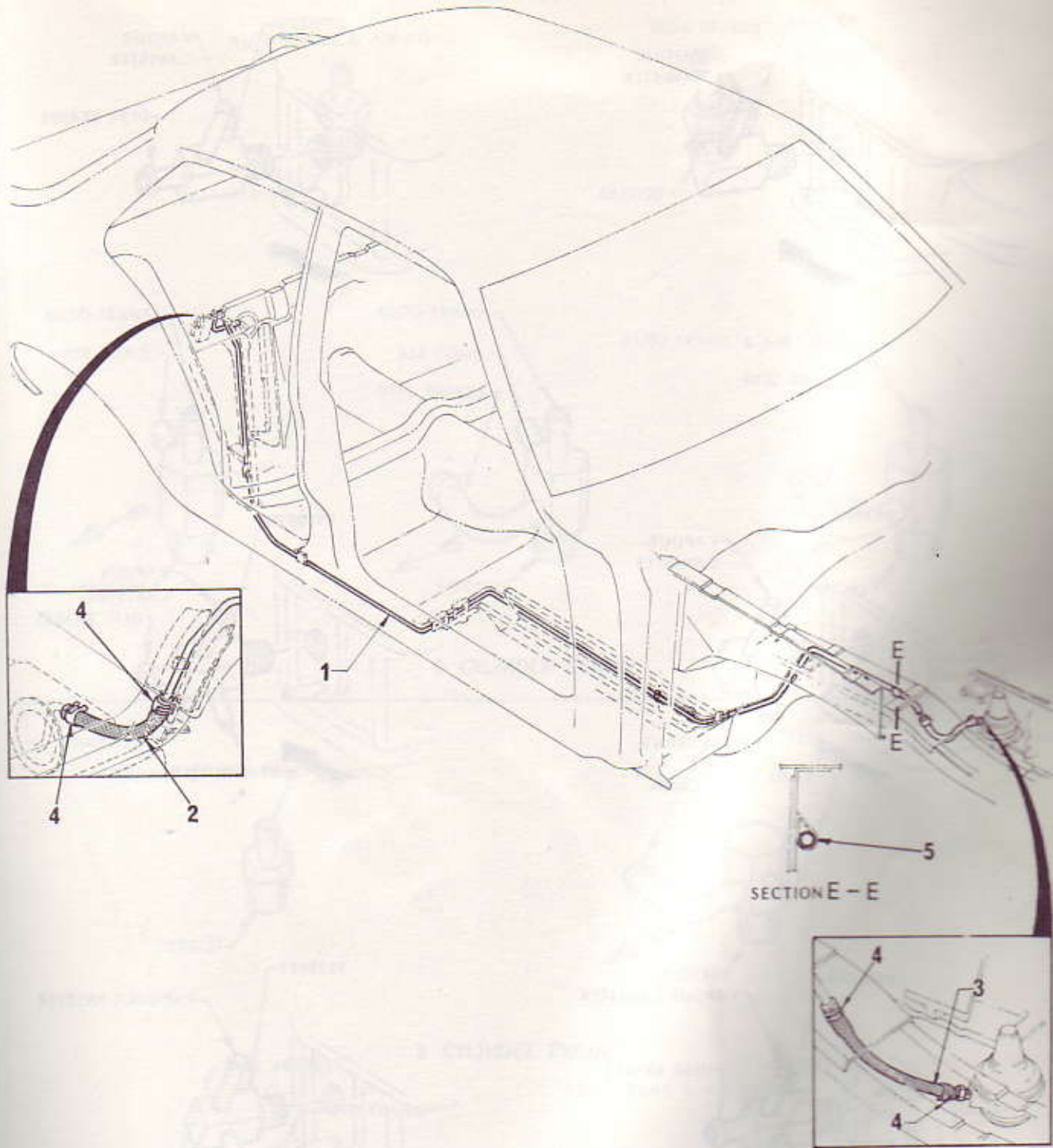
**EVAPORATIVE EMISSION CONTROL
HOSES
5 Litre Engine**

ILLUS. REF. NO.	PART NAME	GROUP	ILLUS. REF. NO.	PART NAME	GROUP
1.	CANISTER	3.130	8.	HOSE - Spark control	2.424
2.	CAP - Carb. vacuum port	3.748	9.	HOSE - Vacuum tee to carburettor	3.120
3.	CAP - Canister sealing	3.130	10.	TEE - Ported vacuum	3.120
4.	HOSE - Canister to P.C.V. tee	3.120	11.	TEE - P.C.V.	3.120
5.	HOSE - P.C.V. to tee	3.120	12.	STRAP - Hoses to top rad.hose - 12.018" ..	3.120
6.	HOSE - P.C.V. tee to carburettor	3.120	13.	STRAP - Hoses to top rad.hose - 8.50" ..	3.120
7.	HOSE - Vacuum tee to distributor	3.120	14.	HOSE - Canister to ported vac. tee	3.120



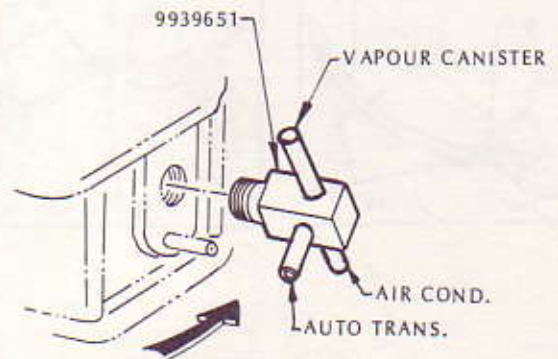
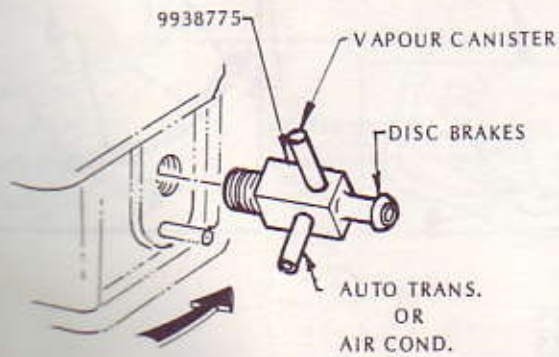
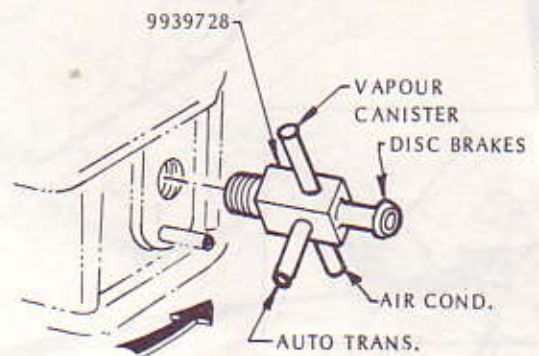
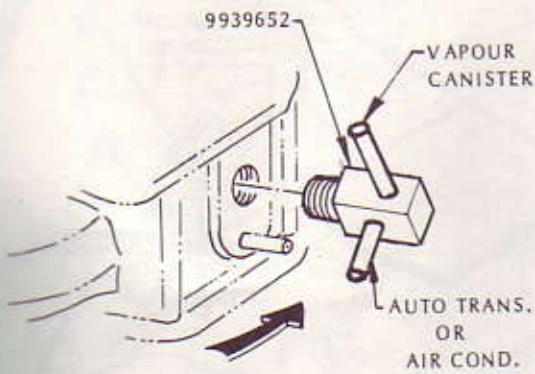
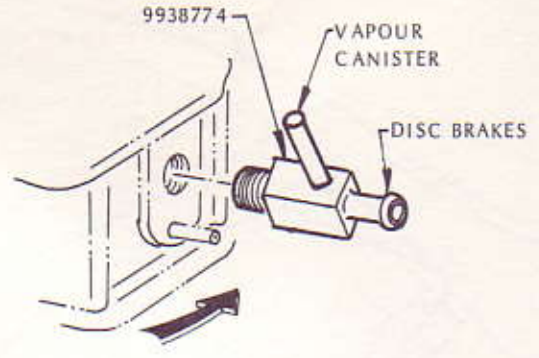
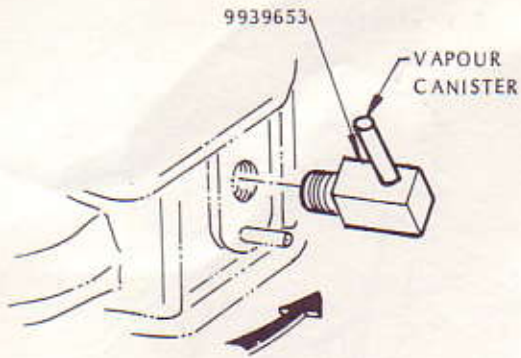
FUEL LINES

ILLUS. REF. NO.	PART NAME	GROUP	ILLUS. REF. NO.	PART NAME	GROUP
1.	CLIP - Fuel pipe	3.158	6.	HOSE - Fuel pipe to pump	3.163
2.	CLAMP - Hose	3.163	7.	HOSE - Fuel pipe to auxiliary fuel pipe	3.163
3.	HOSE - Fuel pipe to tank	3.163	8.	CLIP - Fuel pipe to oil pump	3.202
4.	PIPE - Fuel auxiliary	3.158	9.	CONNECTOR - Fuel hose to pump	3.163
5.	PIPE - Fuel tank to pump	3.158			



FUEL LINES
L34 OPTION

ILLUS. REF. NO.	PART NAME	GROUP	ILLUS. REF. NO.	PART NAME	GROUP
1.	PIPE - Fuel tank to pump	3.158	4.	CLAMP - Hose	3.163
2.	HOSE - Fuel pipe to tank	3.163	5.	CLIP - Fuel pipe	3.202
3.	HOSE - Fuel pipe to pump	3.163			



ARROWS INDICATE ALIGNMENT OF FITTINGS TO FRONT OF ENGINE.

4 CYLINDER ENGINE

VACUUM ADAPTORS

Refer Group 3.265

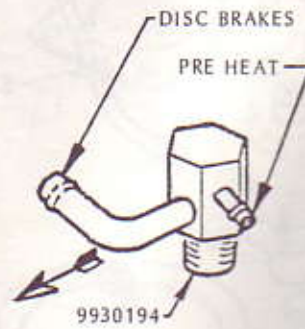
AUTO TRANS. & AIR COND.



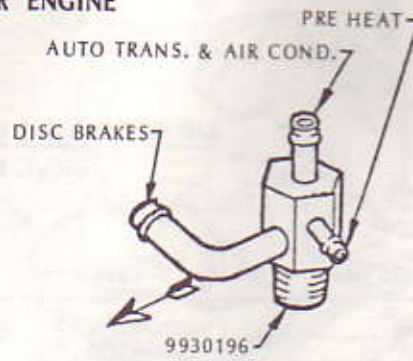
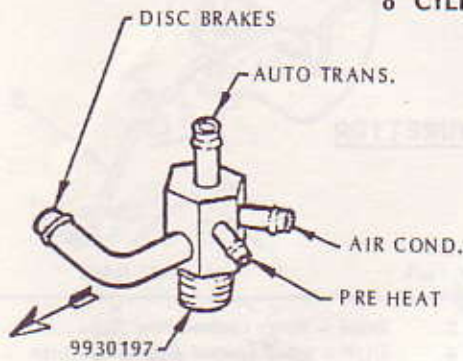
DISC BRAKES



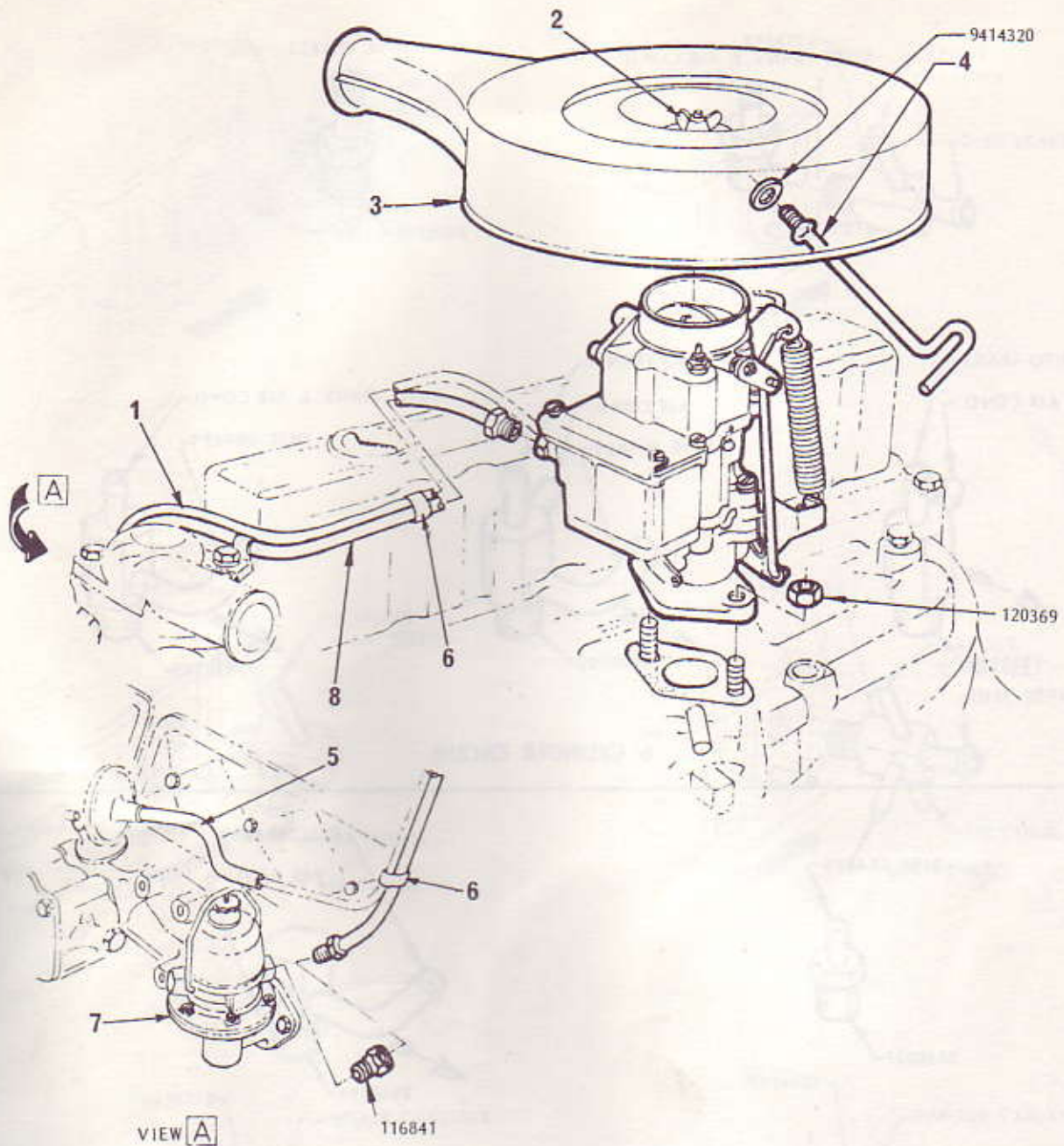
6 CYLINDER ENGINE



8 CYLINDER ENGINE



VACUUM ADAPTORS
Refer Group 3.265

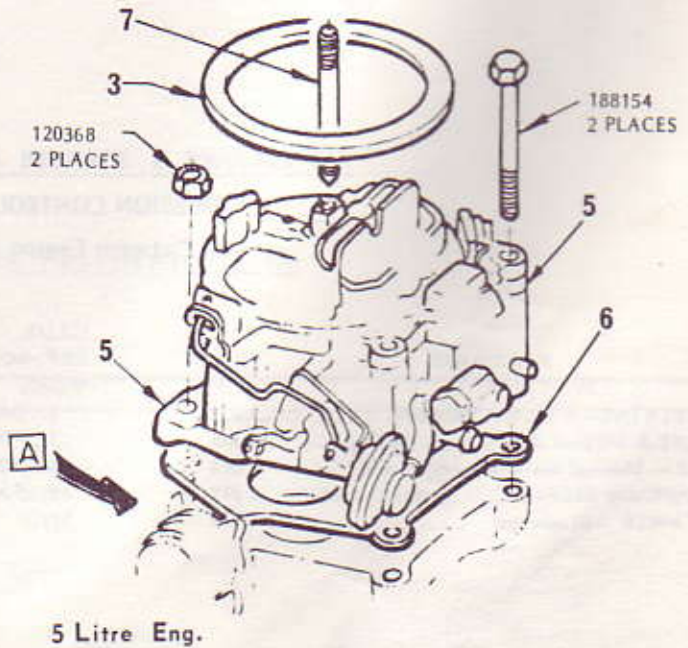
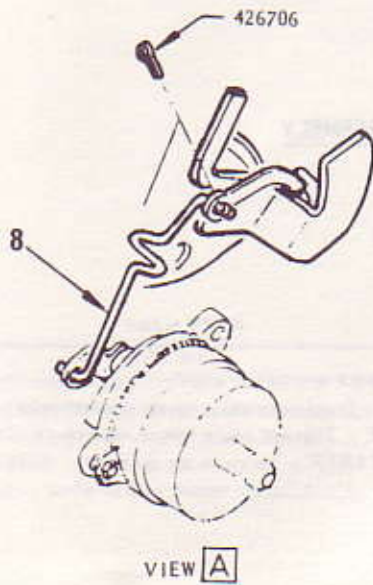
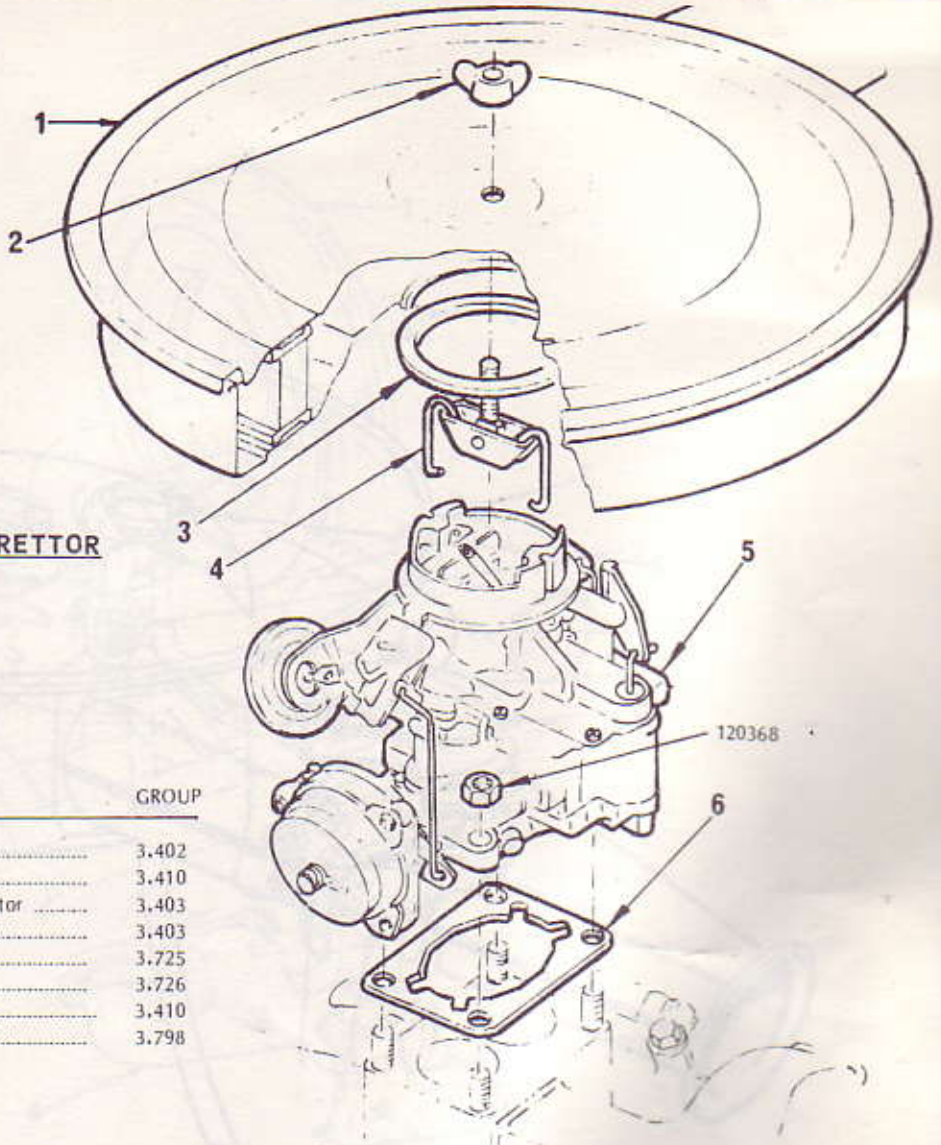


AIR CLEANER & CARBURETTOR
6 Cyl. Eng.

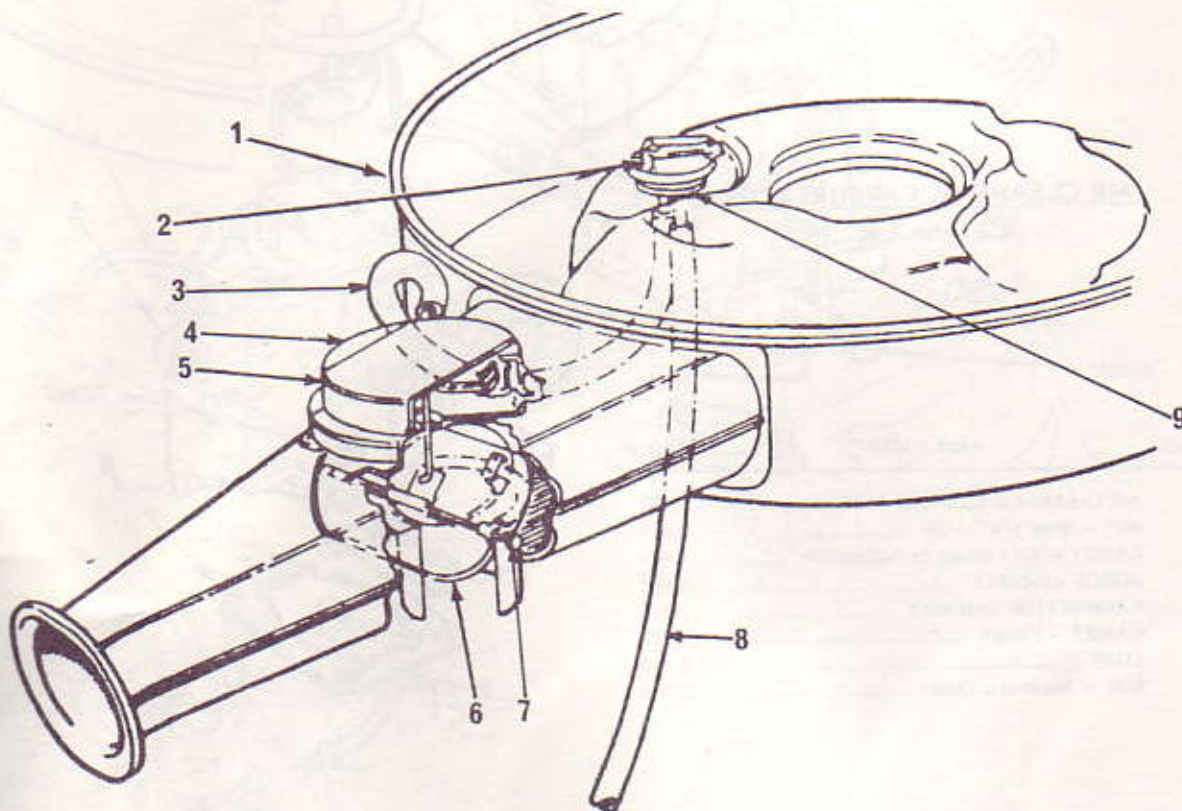
ILLUS. REF. NO.	PART NAME	GROUP	ILLUS. REF. NO.	PART NAME	GROUP
1.	PIPE - Spark control	2.424	5.	HOSE - Spark control pipe	2.424
2.	NUT - Wing 1/4"	3.410	6.	CLIP - Spark control pipe to fuel pipe	2.424
3.	AIR CLEANER & SILENCER ASSY.	3.402	7.	PUMP ASSEMBLY - Fuel	3.900
4.	ROD - Air cleaner	3.403	8.	PIPE ASSEMBLY - Carburettor fuel	3.201

AIR CLEANER & CARBURETTOR
4.2 Litre Eng.

ILLUS. REF. NO.	PART NAME	GROUP
1.	AIR CLEANER & SILENCER ASSY	3.402
2.	NUT - Wing 1/4" - 20	3.410
3.	GASKET - Air cleaner to carburettor	3.403
4.	BRIDGE ASSEMBLY	3.403
5.	CARBURETTOR ASSEMBLY	3.725
6.	GASKET - Flange	3.726
7.	STUD	3.410
8.	ROD - Automatic choke	3.798



5 Litre Eng.

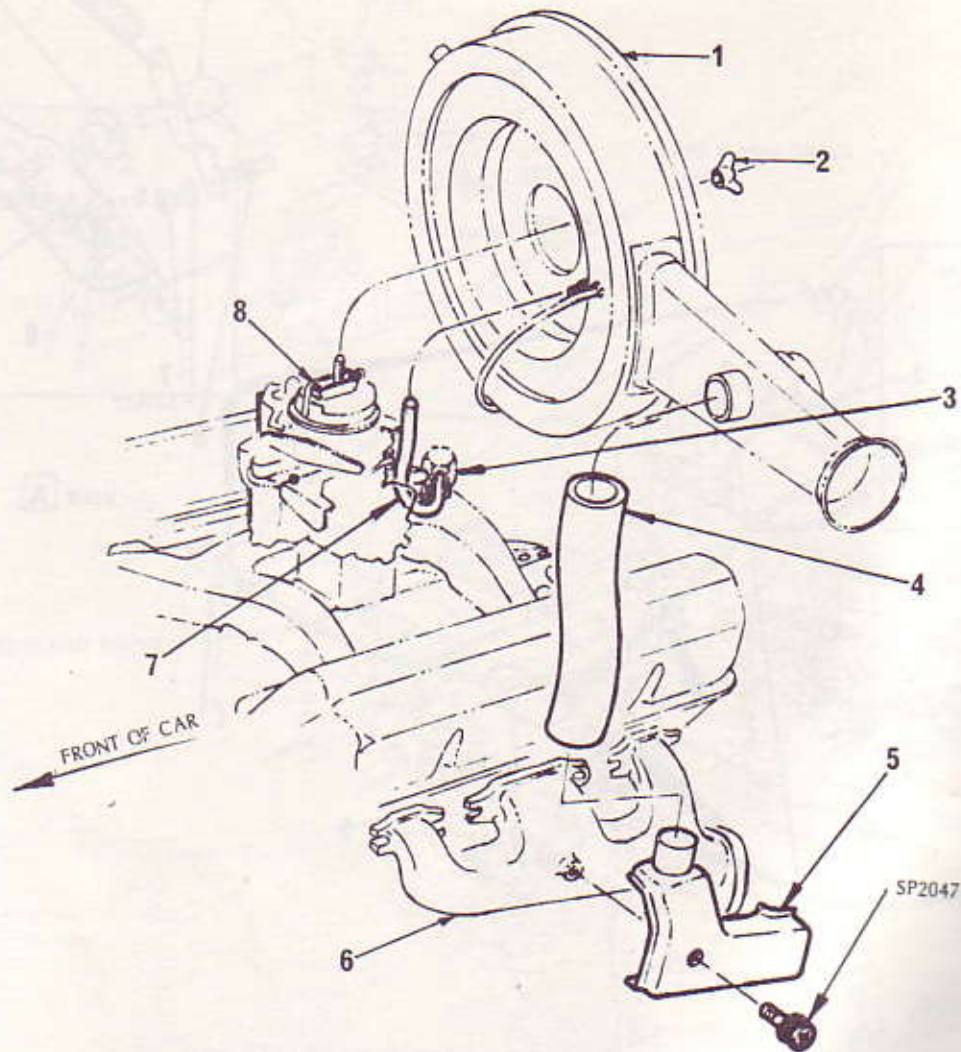


AIR CLEANER & SILENCER ASSEMBLY

EMISSION CONTROL

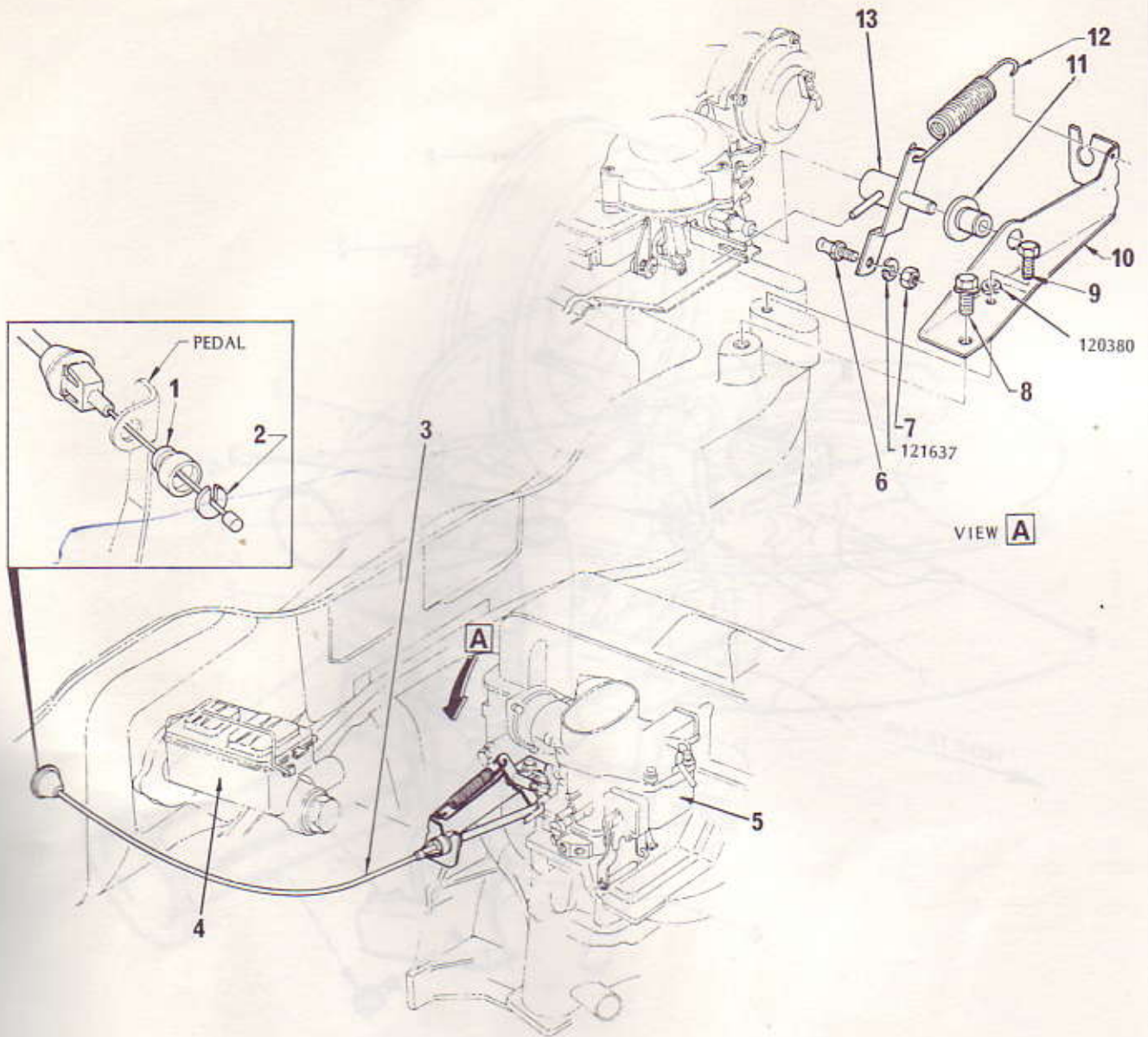
8 Cylinder Engine

ILLUS. REF. NO.	PART NAME	GROUP	ILLUS. REF. NO.	PART NAME	GROUP
1.	AIR CLEANER & SILENCER ASSY.	3.402	6.	DAMPER & VALVE ASSY.	3.415
2.	VALVE & SHIELD ASSY.	3.415	7.	PIN - Diaphragm assy. to air cleaner inlet	3.415
3.	HOSE - Thermal valve vacuum	3.415	8.	HOSE - Thermal valve to vac. source	3.415
4.	DIAPHRAGM ASSY.	3.415	9.	FASTENER - Valve to air cleaner	3.415
5.	RETAINER - Diaphragm	3.415			



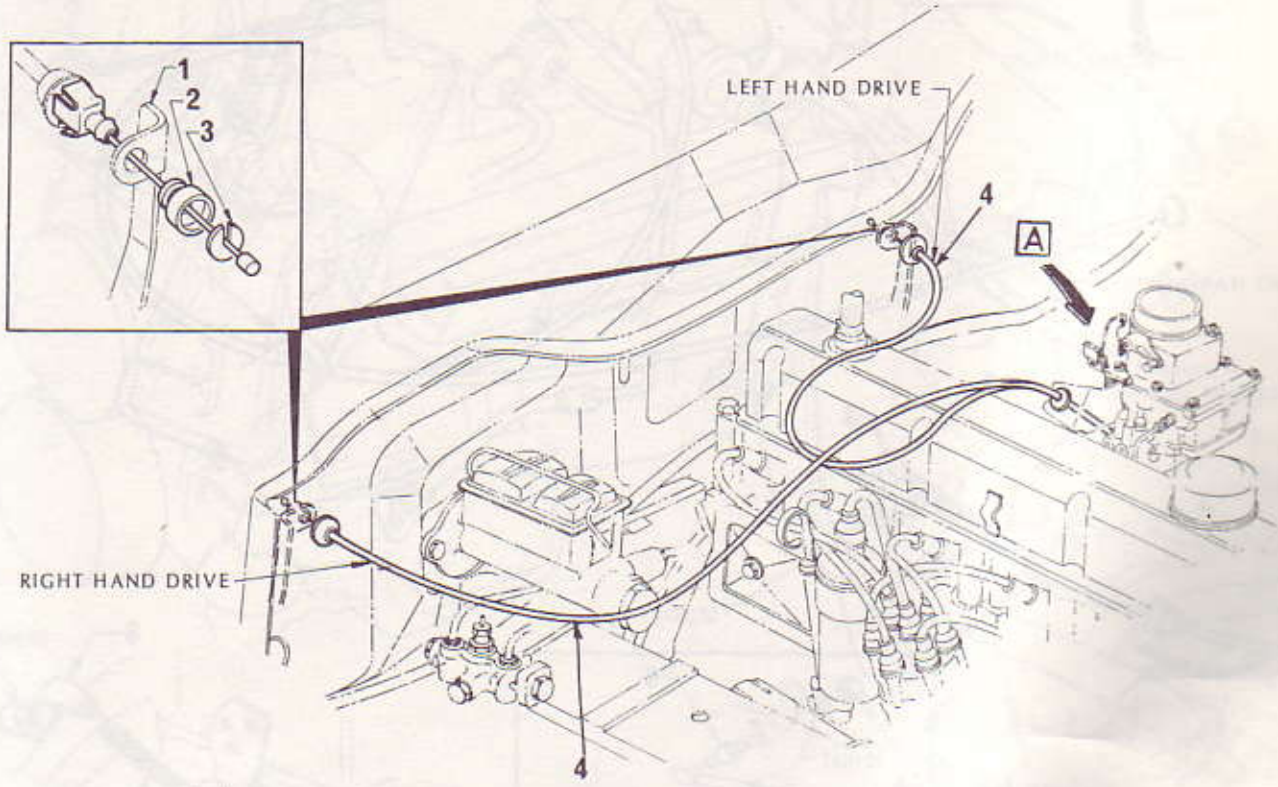
AIR PRE-HEAT SYSTEM

ILLUS. REF. NO.	PART NAME	GROUP	ILLUS. REF. NO.	PART NAME	GROUP
1.	AIR CLEANER & SILENCER ASSY.	3.402	5.	STOVE ASSY.	3.417
2.	NUT - Wing 1/4" - 20	3.410	6.	MANIFOLD ASSY. - Exhaust	3.601
3.	ADAPTOR - Vacuum	3.265	7.	HOSE - Thermal valve to vacuum source	3.415
4.	HOSE - Stove to air cleaner	3.417			

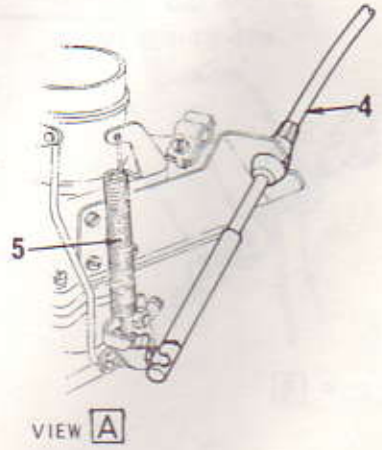


**THROTTLE CONTROL
4 CYL. ENG.**

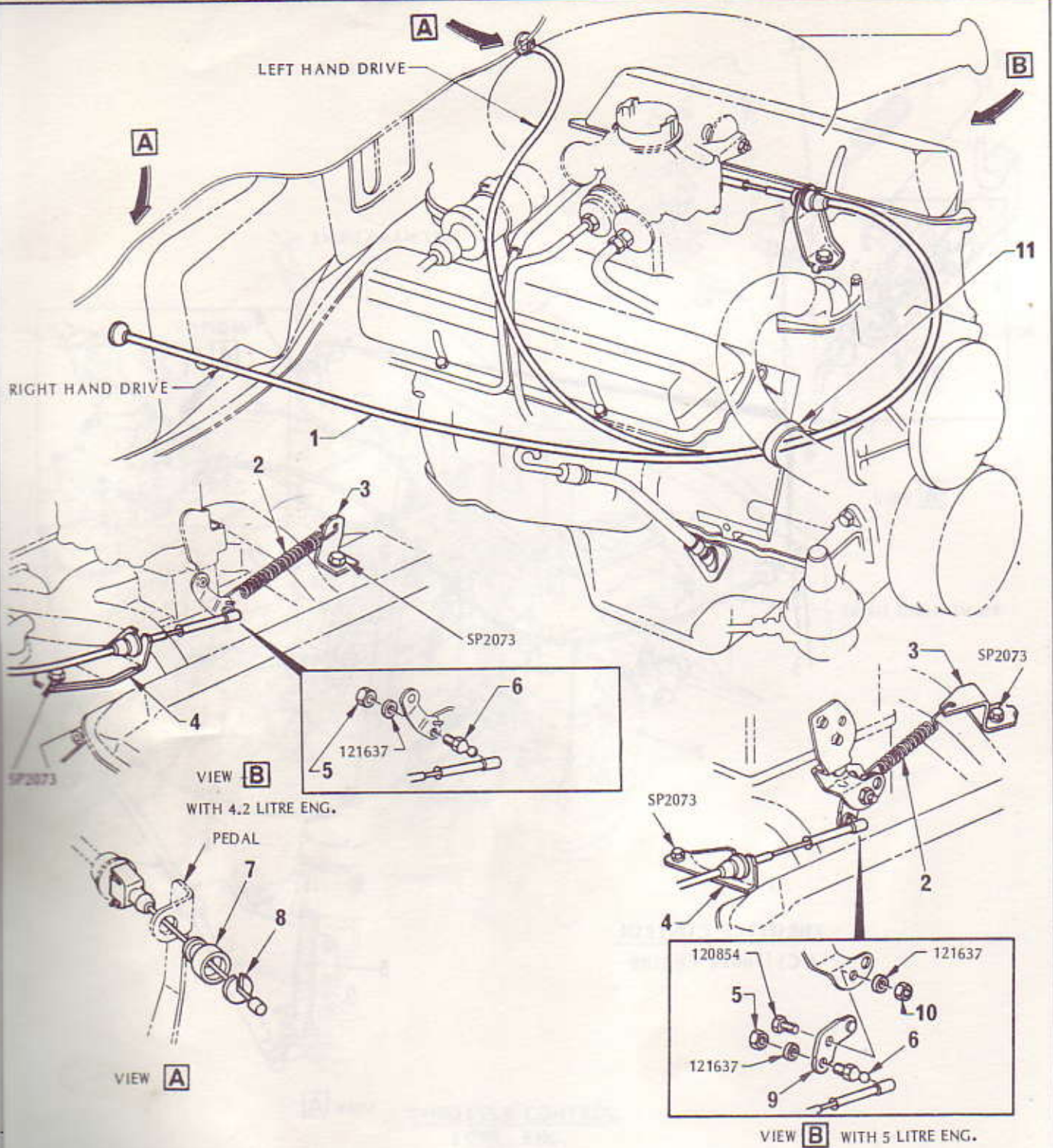
ILLUS. REF. NO.	PART NAME	GROUP	ILLUS. REF. NO.	PART NAME	GROUP
1.	GROMMET - Cable insulator	3,430	8.	BOLT - Bracket to manifold, (8 x 1.25 x 15) ..	3,430
2.	RETAINER - Cable assy.	3,430	9.	BOLT - Bracket to manifold, (6 x 1 x 12)	3,430
3.	CABLE ASSY. - Throttle	3,430	10.	BRACKET - Cable retainer	3,430
4.	CYLINDER ASSY. - Brake main	4,650	11.	BEARING - Bracket to shaft & lever	3,430
5.	CARBURETTOR ASSEMBLY	3,725	12.	SPRING - Accelerator return	3,459
6.	STUD - Cable to lever	3,430	13.	SHAFT & LEVER ASSY.	3,430
7.	NUT - Stud to lever	3,430			



THROTTLE CONTROL
6 Cylinder Engine

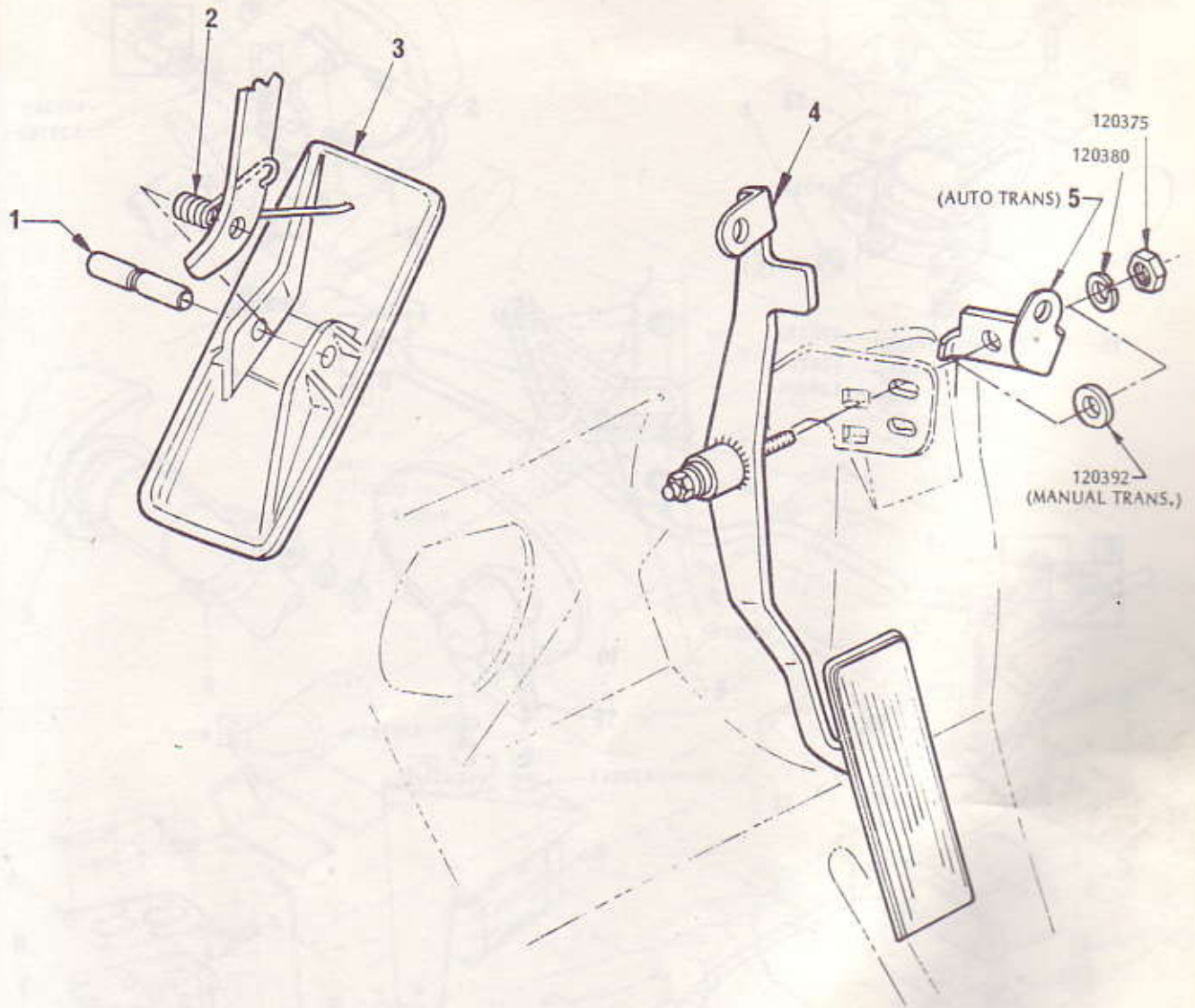


ILLUS. REF. NO.	PART NAME	GROUP
1.	LEVER & PIVOT ASSY. - Accelerator pedal	3.430
2.	GROMMET - Cable insulator	3.430
3.	RETAINER - Cable assy.	3.430
4.	CABLE ASSY. - Throttle	3.430
5.	SPRING - Lever return	3.731



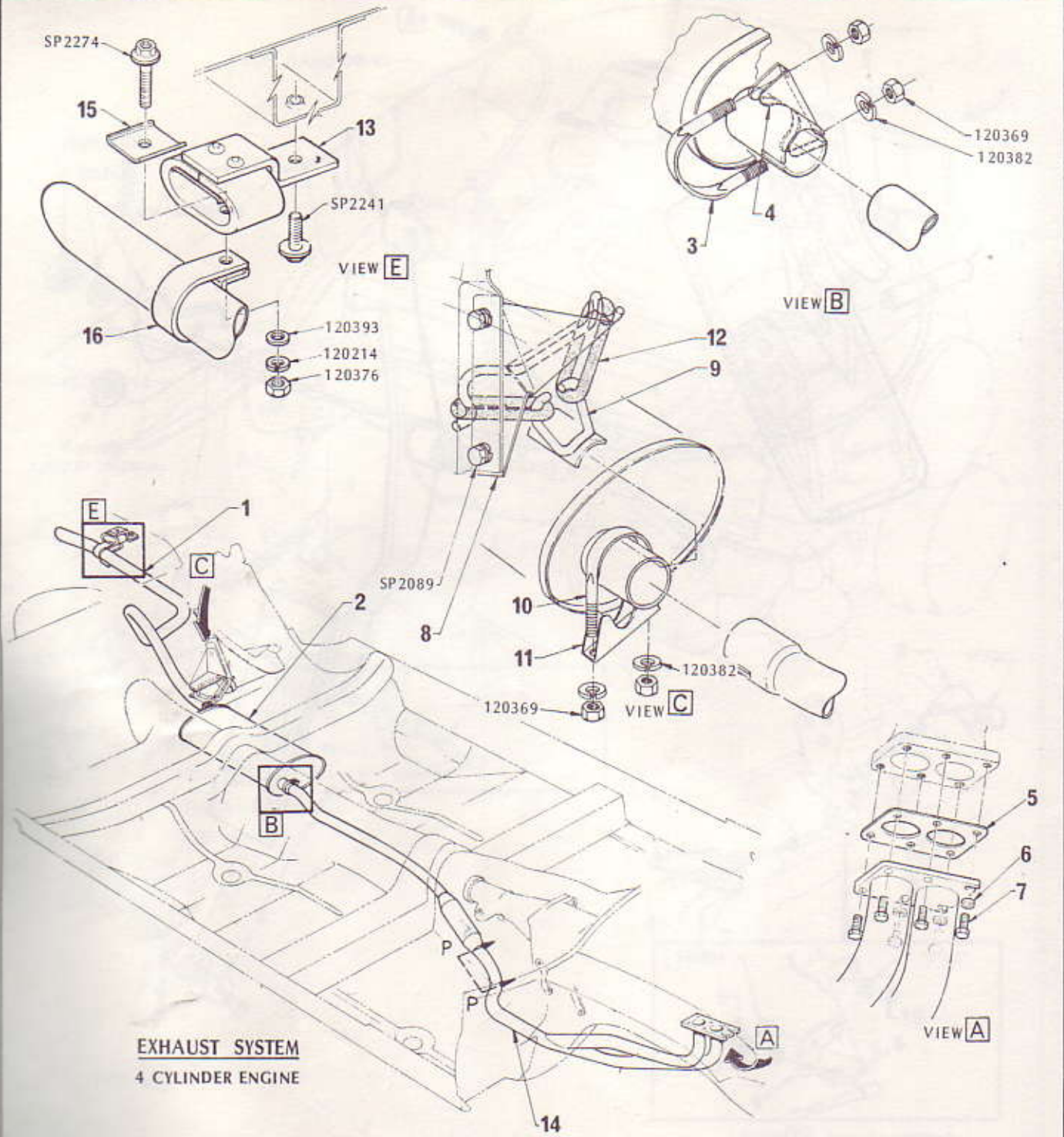
**THROTTLE CONTROL
8 CYL. ENG.**

ILLUS. REF. NO.	PART NAME	GROUP	ILLUS. REF. NO.	PART NAME	GROUP
1.	CABLE ASSY. - Throttle	3.430	7.	GROMMET - Cable insulator	3.430
2.	SPRING - Accelerator return	3.459	8.	RETAINER - Cable assy.	3.430
3.	BRACKET - Accelerator return spring	3.459	9.	LEVER - Carburettor	3.430
4.	BRACKET - Cable retaining	3.430	10.	NUT - Lever to carburettor	3.430
5.	NUT - Stud to lever	3.430	11.	STRAP - Cable to radiator hose	3.430
6.	STUD - Cable to lever	3.430			

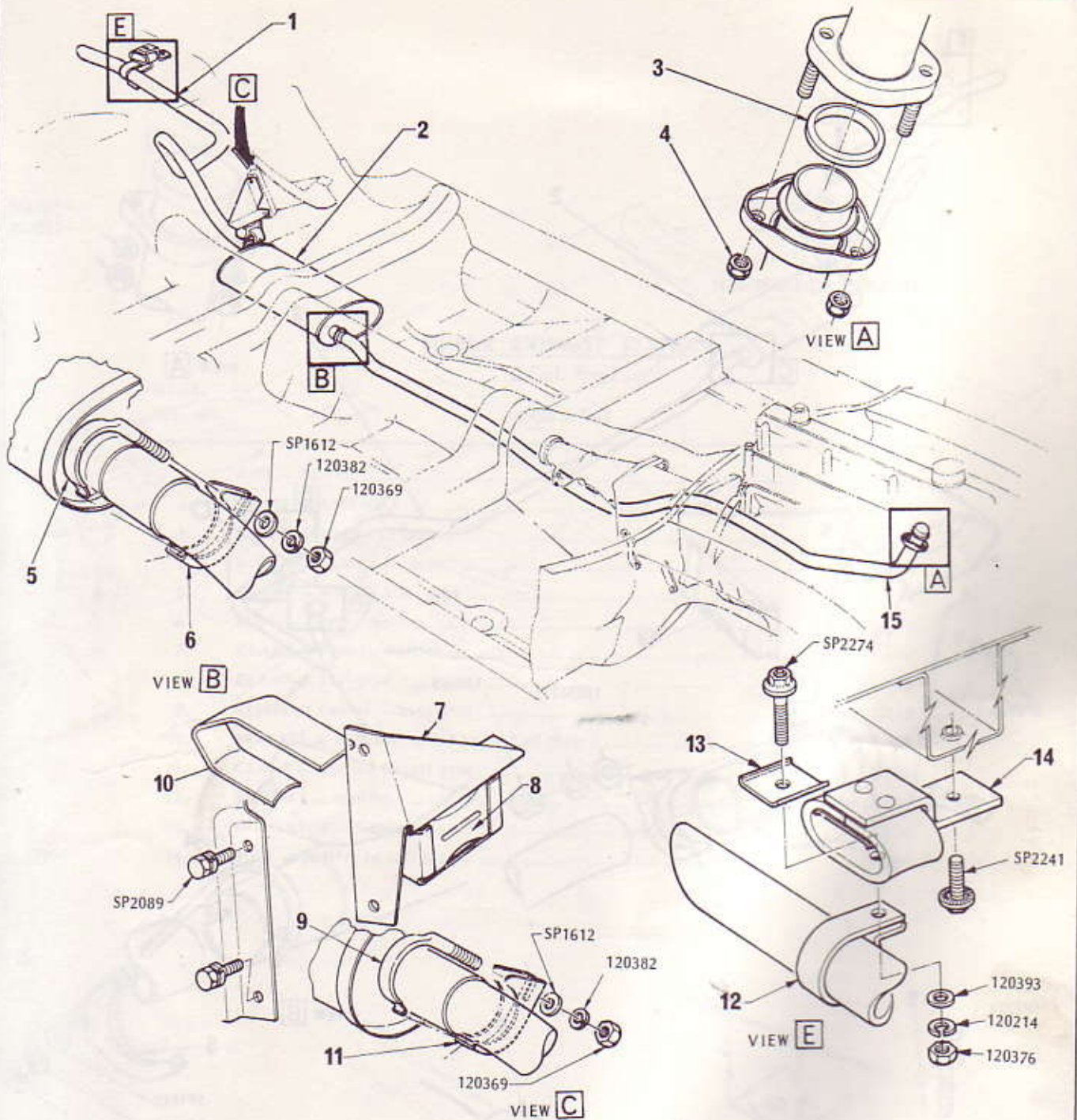


ACCELERATOR LEVER & PEDAL

ILLUS. REF. NO.	PART NAME	GROUP	ILLUS. REF. NO.	PART NAME	GROUP
1.	PIN - Pedal to lever	3.451	4.	LEVER & PIVOT ASSY. - Accelerator	3.430
2.	SPRING - Pedal tension	3.459	5.	BRACKET ASSY. - Solenoid detent actuating switch	4.054
3.	PEDAL - Accelerator	3.451			



ILLUS. REF. NO.	PART NAME	GROUP	ILLUS. REF. NO.	PART NAME	GROUP
1.	PIPE - Tail	3.705	9.	HOOK & PLATE ASSY. - Muffler	3.704
2.	MUFFLER ASSY.	3.701	10.	BOLT - Muffler to tail pipe	3.706
3.	BOLT - Pipe to muffler	3.616	11.	CLAMP - Muffler to tail pipe	3.706
4.	CLAMP - Pipe to muffler	3.616	12.	RING - Muffler support	3.704
5.	PACKING - Exhaust pipe	3.611	13.	BRACKET & INSULATOR - Tail pipe	3.710
6.	WASHER - Pipe to manifold	3.275	14.	PIPE ASSY. - Exhaust	3.609
7.	BOLT - Pipe to manifold	3.725	15.	REINFORCEMENT - Insulator	3.710
8.	BRACKET & HOOK ASSY. - Support	3.704	16.	CLAMP - Tail pipe	3.710



EXHAUST SYSTEM

6 CYLINDER ENGINE

ILLUS. REF. NO.	PART NAME	GROUP	ILLUS. REF. NO.	PART NAME	GROUP
1.	PIPE – Tail	3.705	9.	BOLT – Muffler to tail pipe	3.706
2.	MUFFLER ASSEMBLY	3.701	10.	SUPPORT – Muffler	3.704
3.	PACKING – Exhaust pipe	3.611	11.	CLAMP – Muffler to tail pipe	3.706
4.	NUT – Exhaust pipe to manifold	3.275	12.	CLAMP – Tail pipe support	3.710
5.	BOLT – Pipe to muffler	3.616	13.	REINFORCEMENT – Insulator	3.710
6.	CLAMP – Pipe to muffler	3.616	14.	BRACKET & INSULATOR ASSY. – Tail pipe ..	3.710
7.	BRACKET & SUPPORT ASSY. – Upper	3.704	15.	PIPE ASSEMBLY – Exhaust	3.609
8.	INSULATOR – Support	3.704			

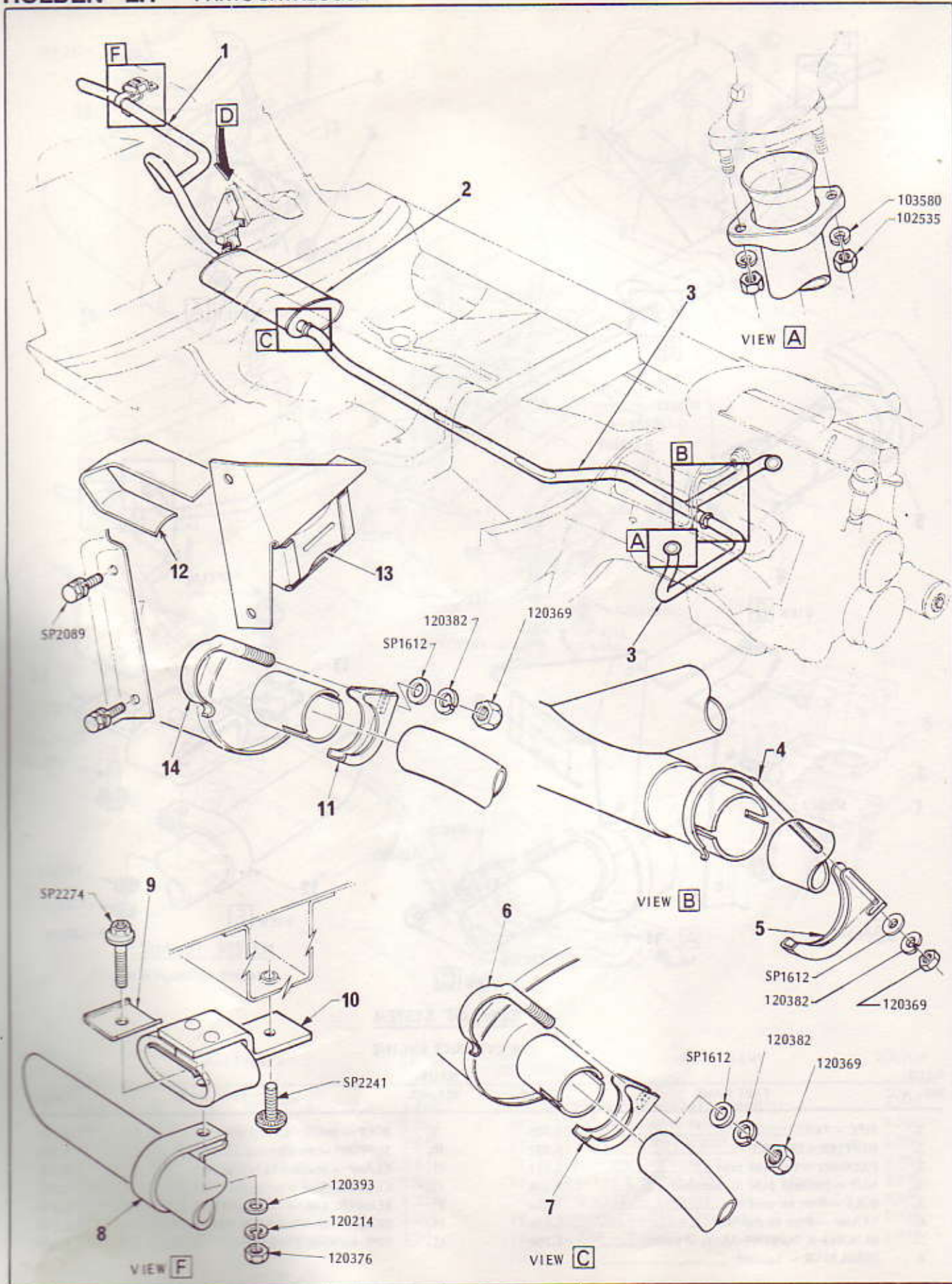
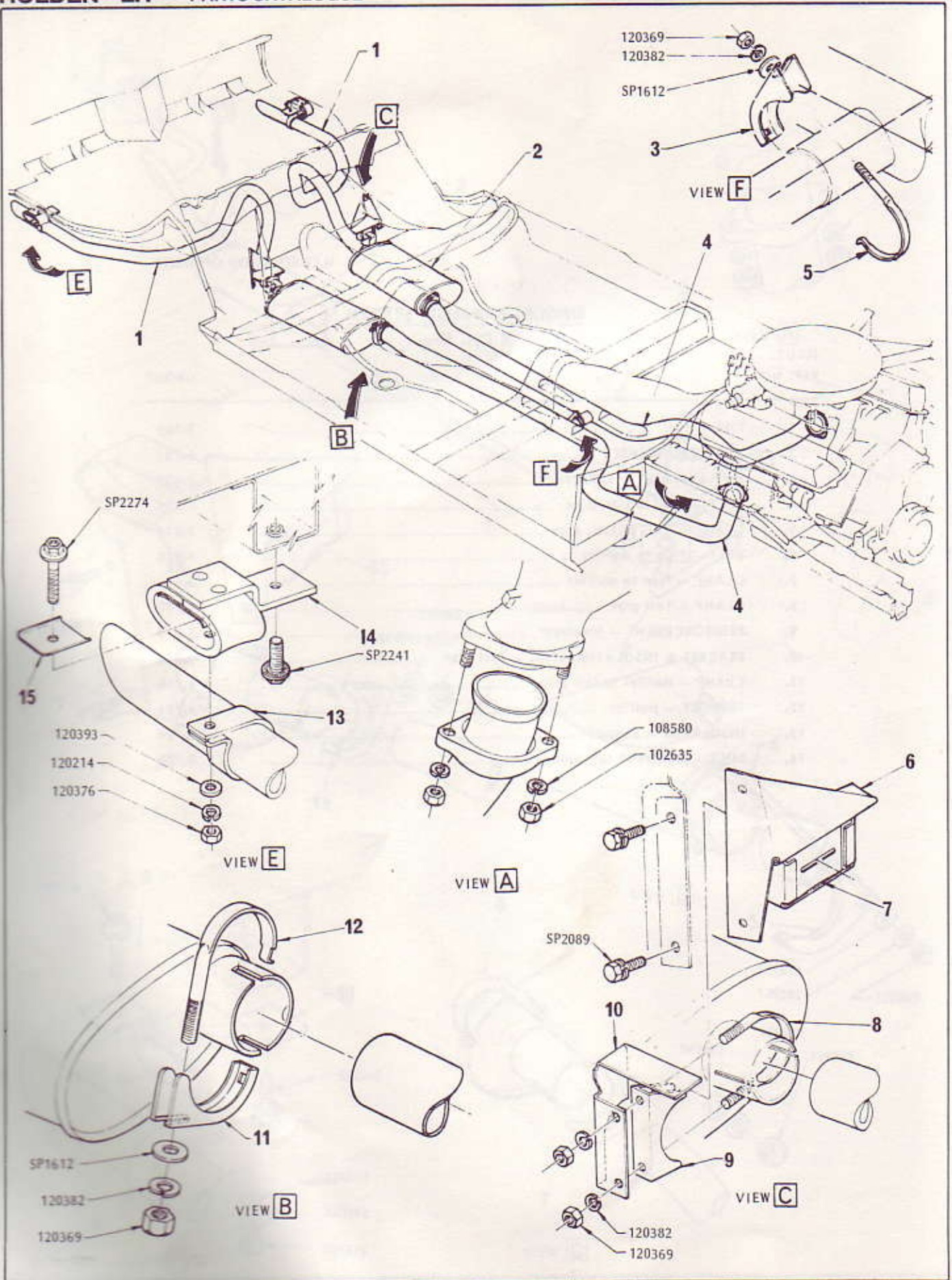


ILLUSTRATION OPPOSITE

SINGLE EXHAUST SYSTEM
8 Cyl. Eng.

ILLUS. REF. NO.	PART NAME	GROUP
1.	PIPE – Tail	3.705
2.	MUFFLER ASSEMBLY	3.701
3.	PIPE ASSEMBLY – Exhaust	3.609
4.	BOLT – R.H. to L.H. pipe	3.616
5.	CLAMP – R.H. to L.H. pipe	3.616
6.	BOLT – Pipe to muffler	3.616
7.	CLAMP – Pipe to muffler	3.616
8.	CLAMP – Tail pipe	3.710
9.	REINFORCEMENT – Insulator	3.710
10.	BRACKET & INSULATOR ASSY. – Tail pipe	3.710
11.	CLAMP – Muffler to tail pipe	3.706
12.	SUPPORT – Muffler	3.704
13.	INSULATOR – Support	3.704
14.	BOLT – Muffler to tail pipe	3.706

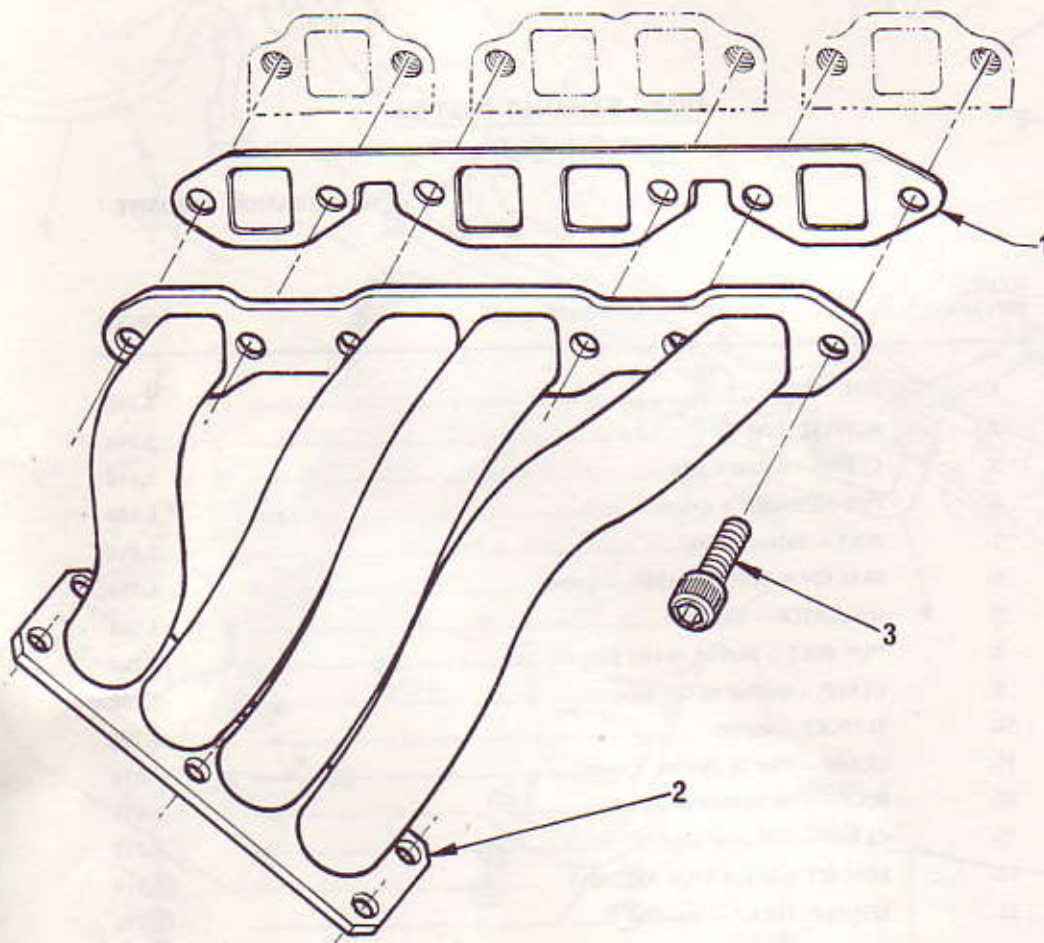


DUAL EXHAUST SYSTEM

8 Cyl. Eng.

ILLUSTRATION OPPOSITE

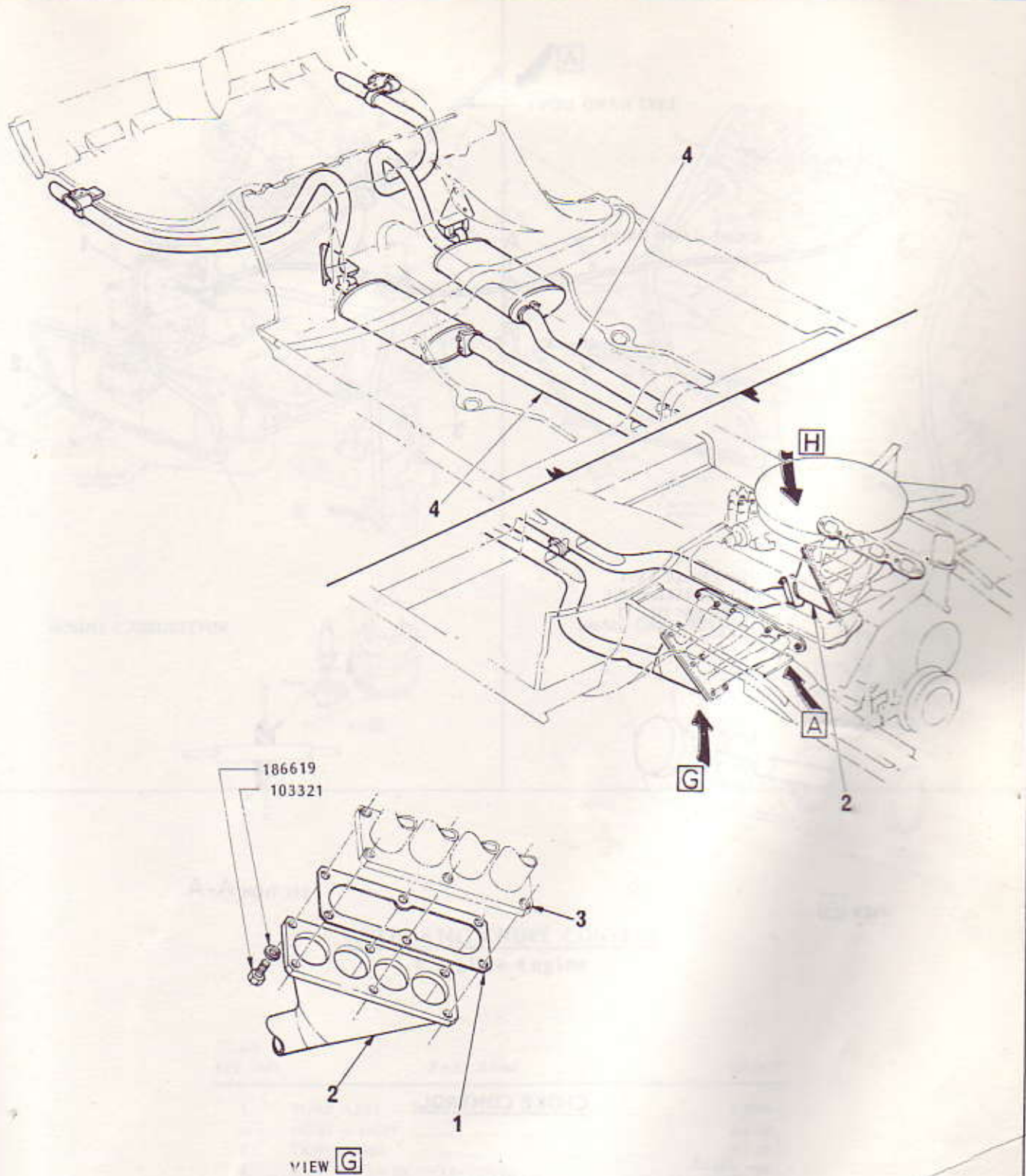
ILLUS. REF. NO.	PART NAME	GROUP
1.	PIPE – Tail	3.705
2.	MUFFLER ASSEMBLY	3.701
3.	CLAMP – Balance pipe	3.616
4.	PIPE ASSEMBLY – Exhaust	3.609
5.	BOLT – Balance pipe	3.616
6.	BRACKET & SUPPORT ASSY. – Upper	3.704
7.	INSULATOR – Support	3.704
8.	"U" BOLT – Muffler to tail pipe	3.706
9.	CLAMP – Muffler to tail pipe	3.706
10.	SUPPORT – Muffler	3.704
11.	CLAMP – Pipe to muffler	3.616
12.	BOLT – Pipe to muffler	3.616
13.	CLAMP – Tail pipe support	3.710
14.	BRACKET & INSULATOR ASSEMBLY	3.710
15.	REINFORCEMENT – Insulator	3.710



EXHAUST MANIFOLD

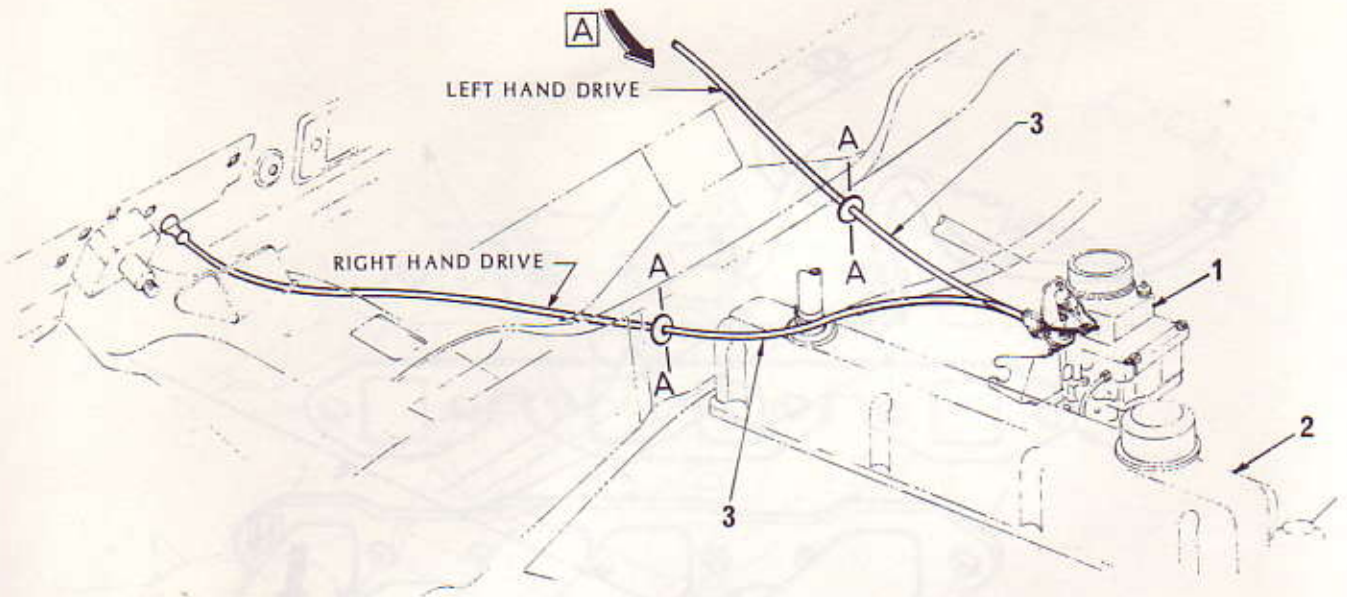
L34 OPTION

ILLUS. REF. NO.	PART NAME	GROUP
1.	GASKET - Exhaust manifold	3.270
2.	MANIFOLD ASSY. - Exhaust	3.601
3.	BOLT - Exhaust manifold to head	3.275

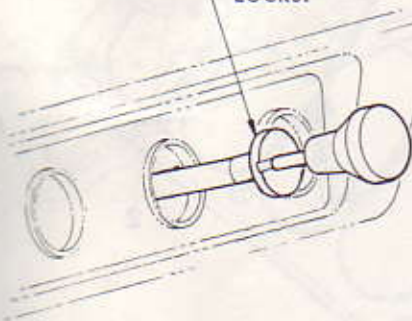


EXHAUST SYSTEM
L34 OPTION

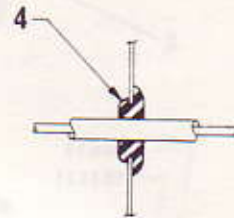
ILLUS. REF. NO.	PART NAME	GROUP	ILLUS. REF. NO.	PART NAME	GROUP
1.	GASKET – Manifold to collector	3.611	3.	MANIFOLD – Exhaust	3.601
2.	COLLECTOR	3.609	4.	PIPE ASSY. – Exhaust	3.609



PUSH CHOKE ASSY.
INTO SLOTTED HOLE
& TURN 90° TILL IT
LOCKS.



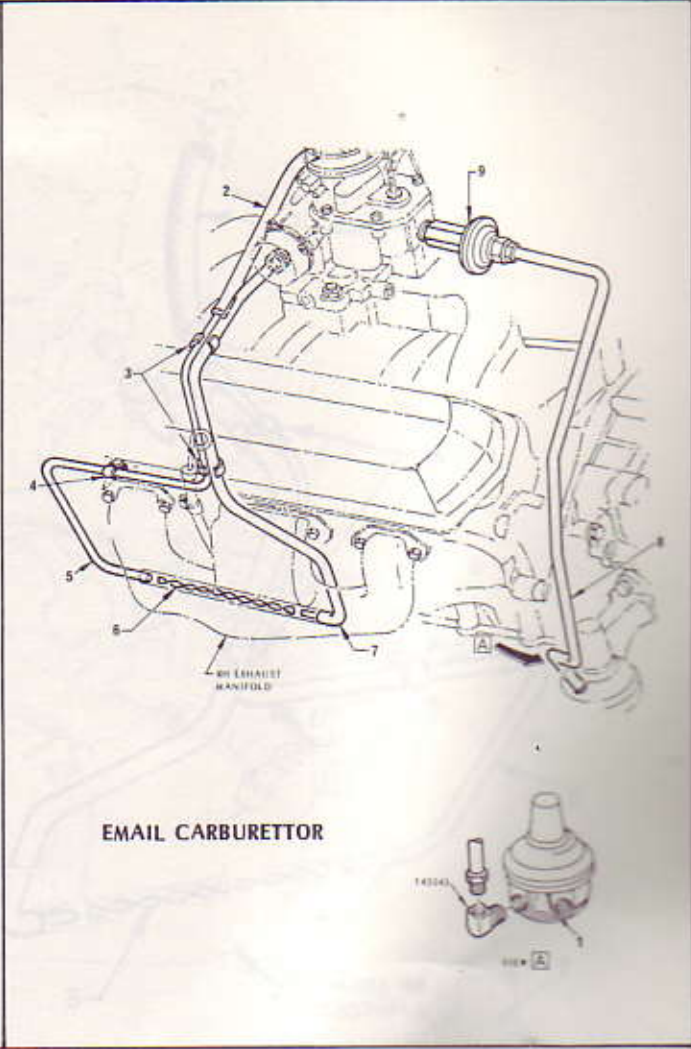
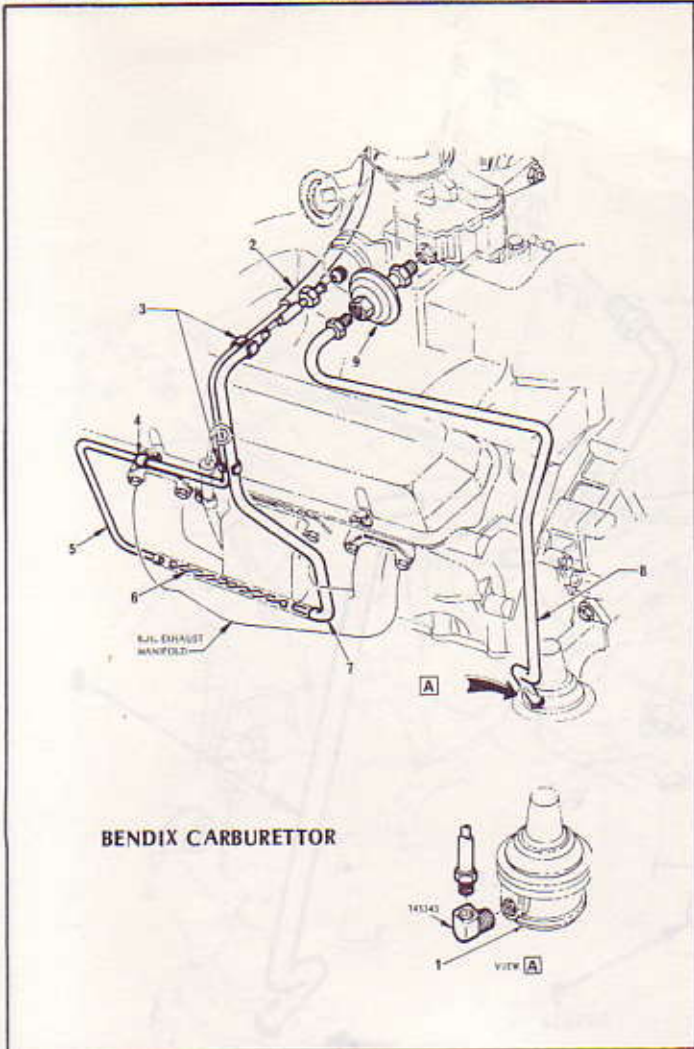
VIEW **A**



SECTION A-A

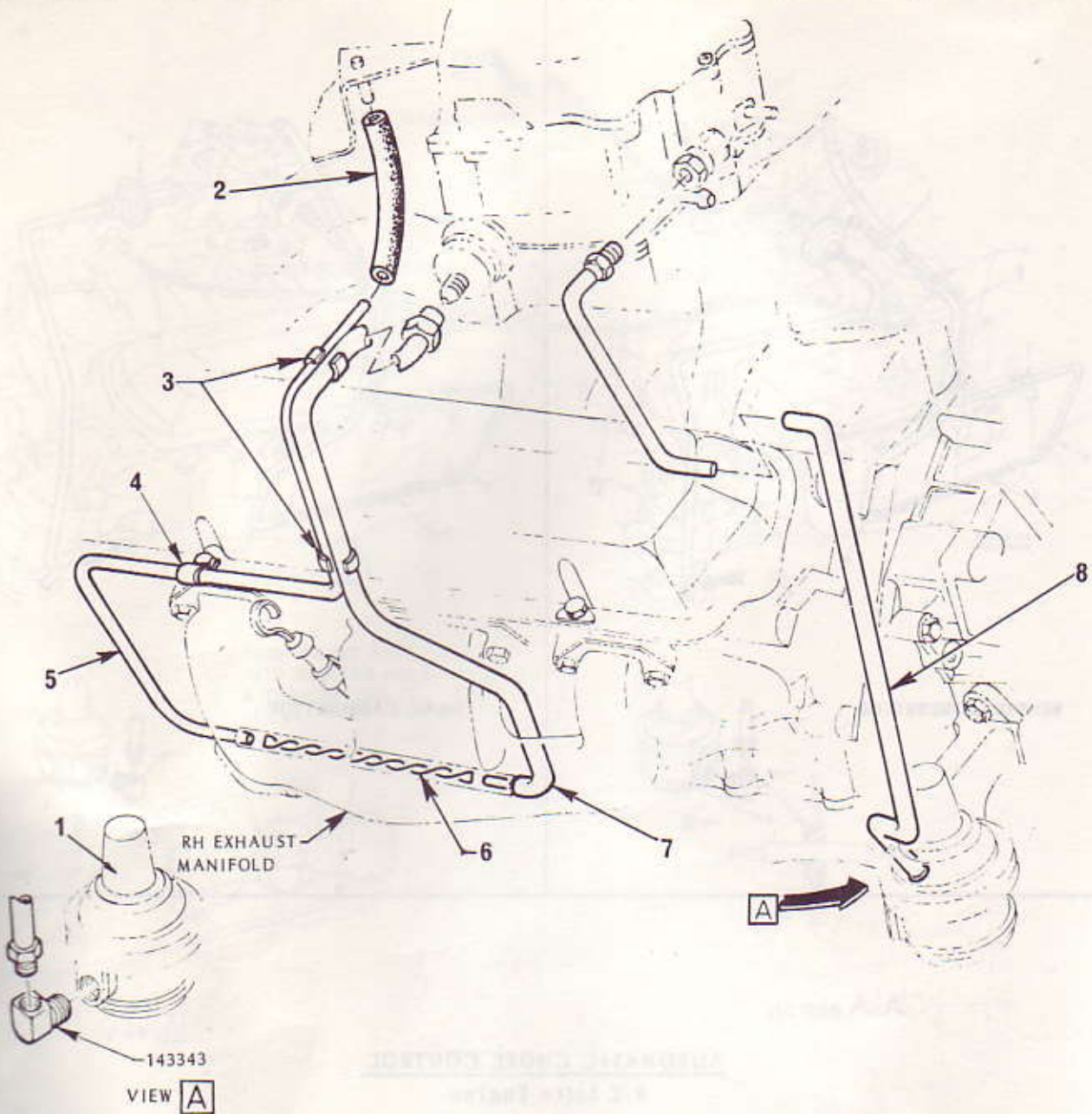
CHOKE CONTROL

ILLUS. REF. NO.	PART NAME	GROUP
1.	CARBURETTOR ASSEMBLY	3.725
2.	COVER - Valve rocker	0.386
3.	CONTROL ASSEMBLY - Choke	3.521
4.	GROMMET - Choke control to dash	3.521



AUTOMATIC CHOKE CONTROL
4.2 Litre Engine

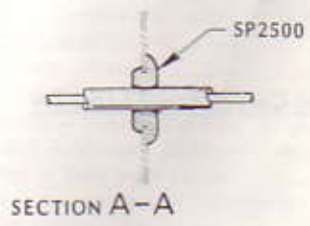
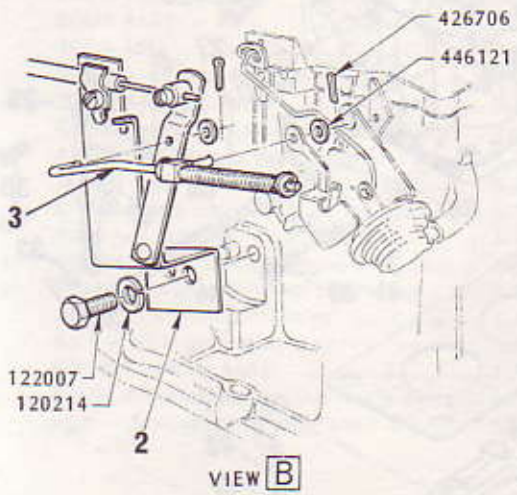
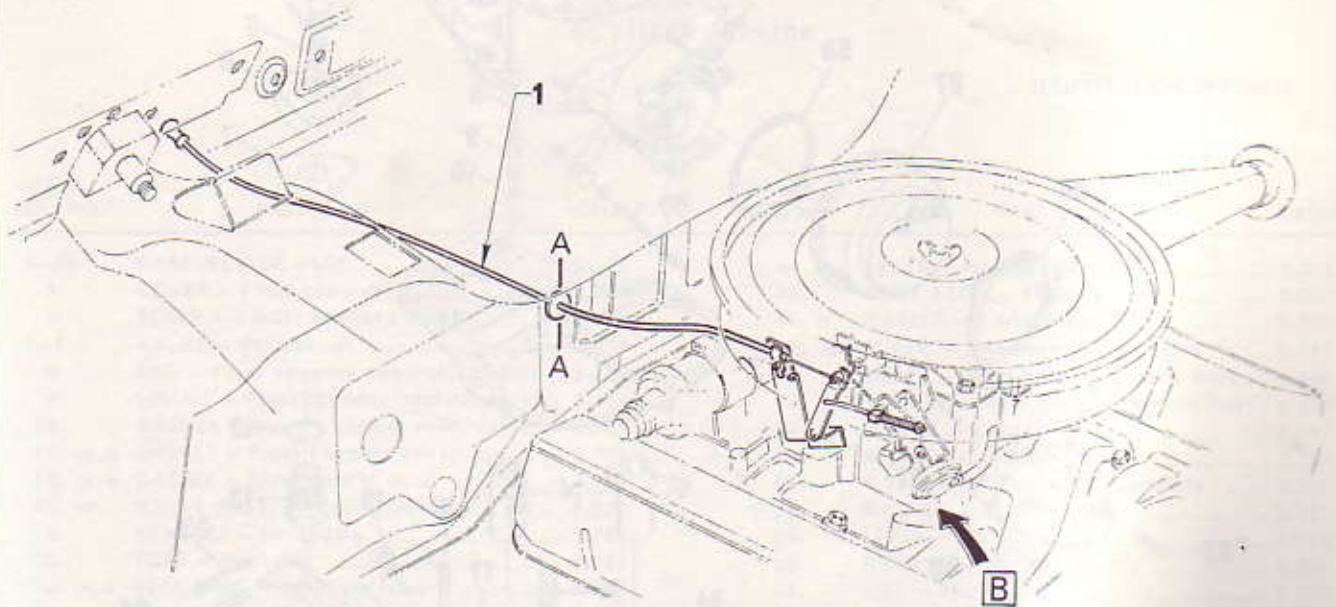
ILLUS. REF. NO.	PART NAME	GROUP
1.	PUMP ASSY. - Fuel	3.900
2.	HOSE - Inlet	3.720
3.	CLIP - Pipe	3.720
4.	CLIP - Pipe to rocker cover	3.720
5.	PIPE - Air inlet	3.720
6.	BAFFLE - Choke heat tube	3.720
7.	PIPE - Air Heat	3.720
8.	PIPE ASSY. - Carburettor fuel	3.201
9.	FILTER ASSY. - Fuel	3.787



AUTOMATIC CHOKE CONTROL

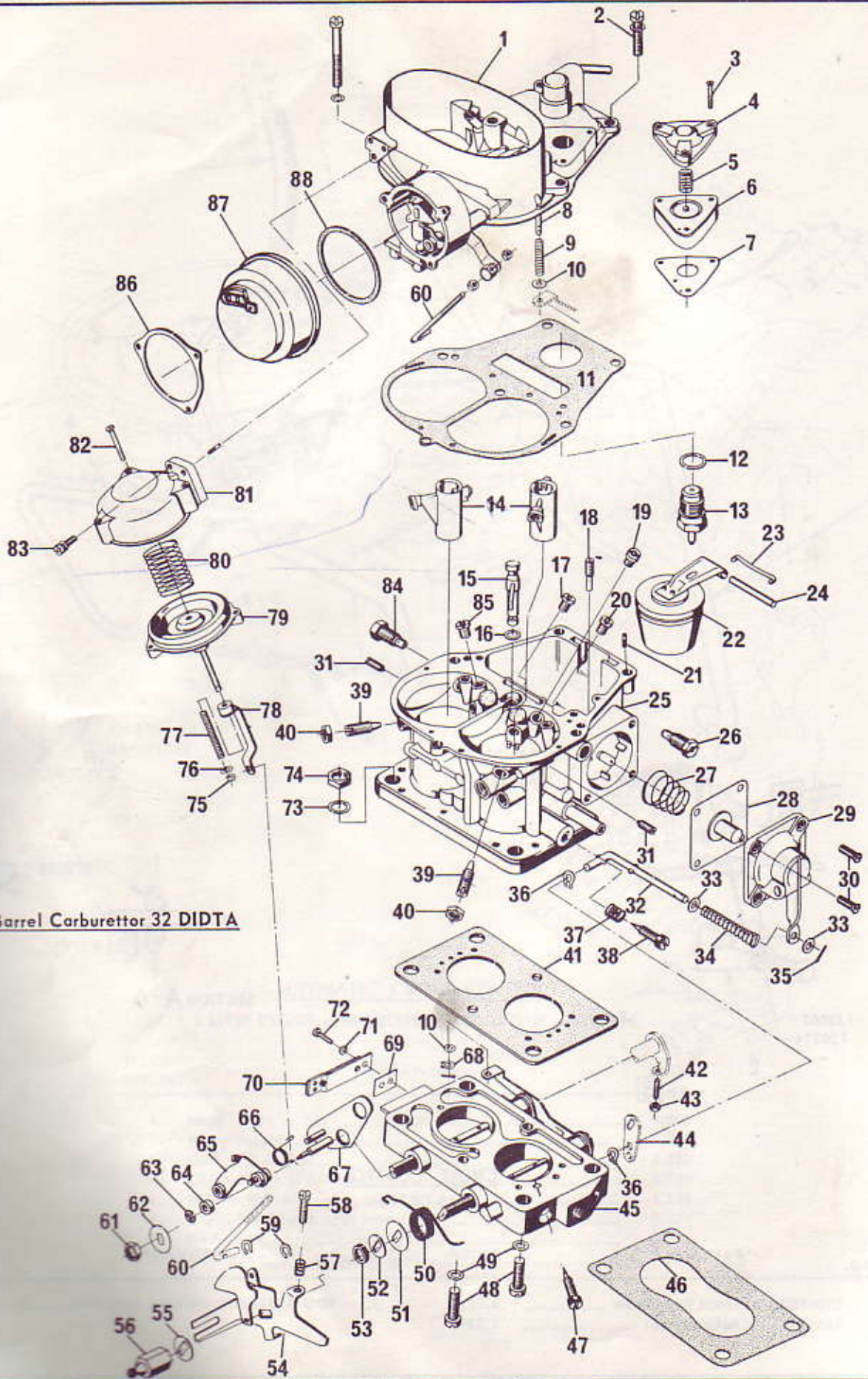
5 LITRE ENGINE - ROCHESTER CARBURETTOR - Exc. L34

ILLUS. REF. NO.	PART NAME	GROUP
1.	PUMP ASSY. - Fuel	3.900
2.	HOSE - Inlet	3.720
3.	CLIP - Pipe	3.720
4.	CLIP - Pipe to rocker cover	3.720
5.	PIPE - Air inlet	3.720
6.	BAFFLE - Choke heat tube	3.720
7.	PIPE - Air heat	3.720
8.	PIPE ASSY. - Carburettor fuel	3.201



CHOKE CONTROL
L34 OPTION

ILLUS. REF. NO.	PART NAME	GROUP	ILLUS. REF. NO.	PART NAME	GROUP
1.	CONTROL ASSEMBLY - Choke	3.521	3.	ROD ASSEMBLY - Choke actuating	3.521
2.	BRACKET - Choke control	3.521			



Two-Barrel Carburettor 32 DIDTA

CARBURETTOR - TWO BARREL TYPE

SOLEX
4 Cylinder Engine

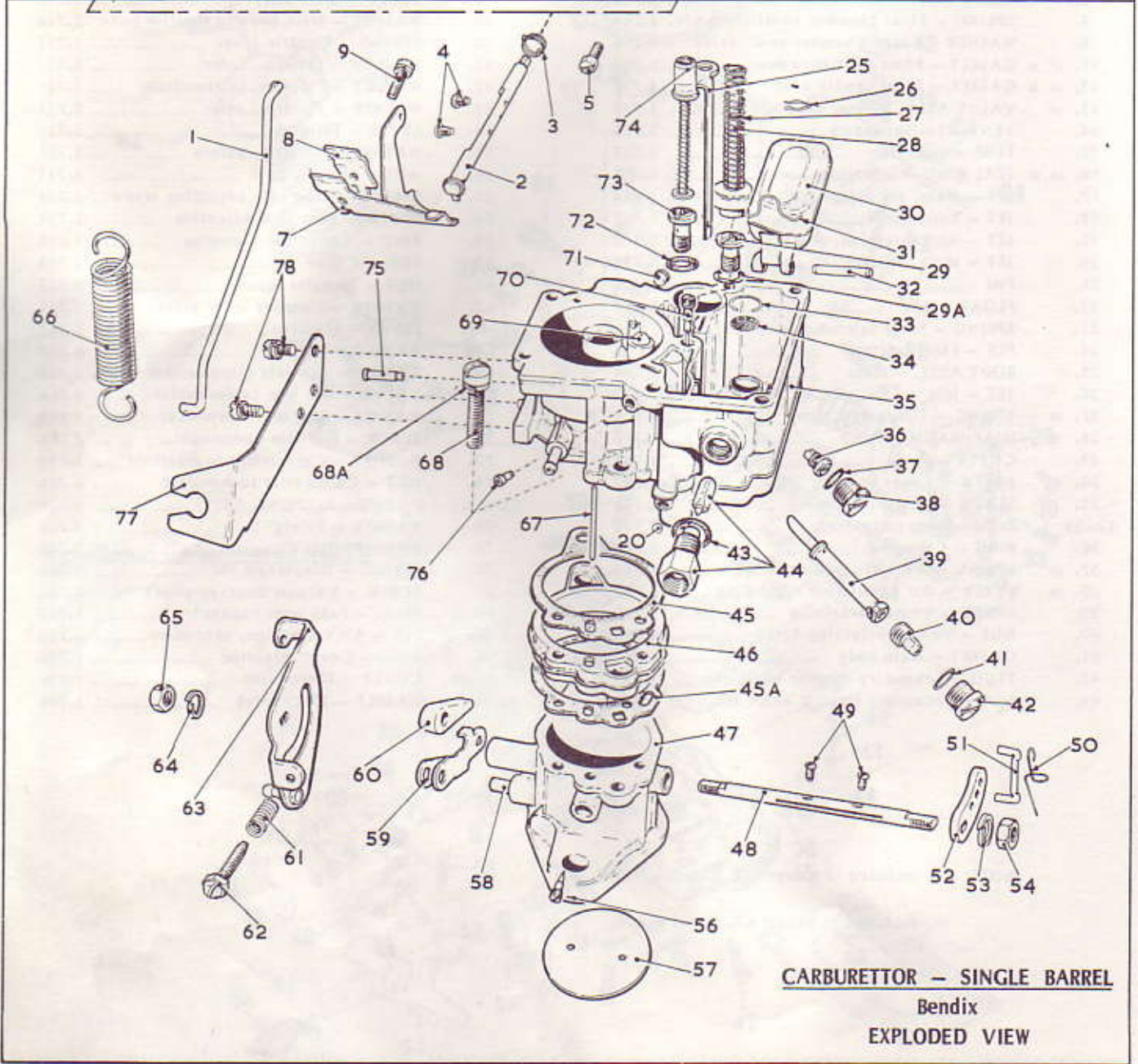
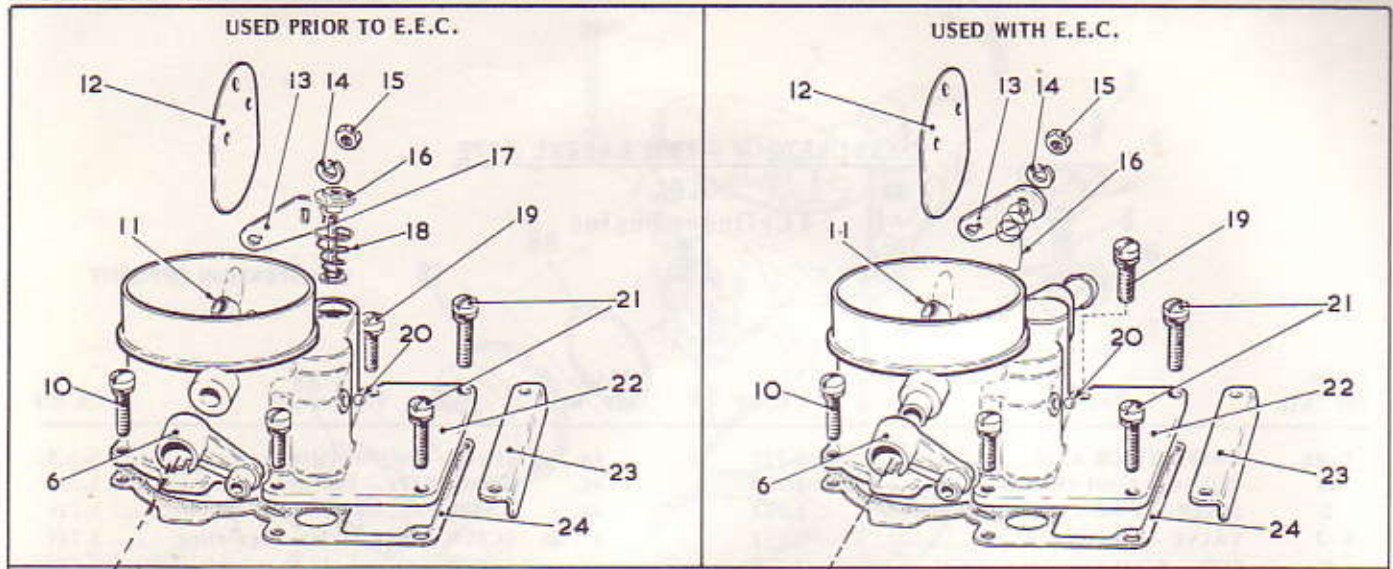
ILLUSTRATION OPPOSITE

ILLUS. REF. NO.	PART NAME	GROUP	ILLUS. REF. NO.	PART NAME	GROUP
1-88	CARBURETTOR ASSY.	3.725	44.	LEVER - Intermediate	N.S.S.
1.	COVER - Float chamber	3.763	45.	BODY ASSY. - Throttle	3.727
2.	SCREW - Float chamber cover	3.763	46.	GASKET - Carburettor flange	3.726
3-7	VALVE - Enrichment	3.757	47. (B)	SCREW - Idle mixture regulating	3.741
8.	ROD - Float chamber ventilation valve ..	3.764	48.	SCREW - Main body to throttle body	3.748
9.	SPRING - Float chamber ventilation vlv.	3.764	49.	WASHER - Main body to throttle body ..	3.748
10.	WASHER - Float chamber vent. valve ...	3.764	50.	SPRING - Throttle lever	3.731
11. (A, B)	GASKET - Float chamber cover	3.765	51.	WASHER - Throttle, inner	3.731
12. (A, B)	GASKET - Float needle seat	3.772	52.	WASHER - Throttle, intermediate	3.731
13. (B)	VALVE ASSY. - Float needle	3.771	53.	WASHER - Throttle, outer	3.731
14.	VENTURI - Secondary	3.786	54.	LEVER - Throttle	3.731
15.	TUBE - Injection	3.757	55.	WASHER - Throttle, safety	3.731
16. (A, B)	SEAL RING - Injection tube	3.757	56.	NUT - Throttle ball	3.731
17.	JET - Main, secondary	3.754	57.	SPRING - Slow idle adjusting screw ..	3.734
18.	JET - Enrichment	3.757	58.	SCREW - Slow idle adjusting	3.734
19.	JET - Air correction, primary	3.752	59.	RING - Choke rod clamping	3.798
20.	JET - Main, primary	3.754	60.	ROD - Choke	3.798
21.	PIN	N.S.S.	61.	NUT - Transfer lever	3.731
22.	FLOAT ASSY.	3.773	62.	WASHER - Transfer lever safety	3.731
23.	SPRING - Float fulcrum pin	3.775	63-67.	LEVER - Transfer	3.731
24.	PIN - Float fulcrum	3.775	68.	WASHER - Safety	3.764
25.	BODY ASSY. - Main	3.748	69.	GASKET - Hot idle compensator valve ..	3.766
26.	JET - Idle	3.752	70.	VALVE - Hot idle compensator	3.766
27. (B)	SPRING - Diaphragm pump	3.779	71.	WASHER - Hot idle compensator screw ..	3.766
28. (B)	DIAPHRAGM - Pump	3.778	72.	SCREW - Hot idle compensator	3.766
29.	COVER - Pump	3.782	73.	WASHER - Carburettor to manifold	3.288
30.	SCREW - Cover to body	3.782	74.	NUT - Carburettor to manifold	3.288
31.	SCREW - Venturi retaining	3.786	75-82.	VACUUM HOUSING ASSY.	3.766
32-35	ROD - Pump correcting	3.782	75.	WASHER - Safety	3.766
36.	RING - Clamping	3.782	76.	WASHER	3.766
37. (B)	SPRING - Air circulation screw	3.741	77.	SPRING - Diaphragm rod	3.766
38. (B)	SCREW - Air circulation regulating	3.741	83.	SCREW - Vacuum housing attaching ..	3.766
39.	SCREW - Venturi retaining	3.786	84.	PLUG - Pass over channel	3.767
40.	NUT - Venturi retaining screw	3.786	85.	JET - Air correction, secondary	3.752
41.	GASKET - Main body	3.749	86.	RING - Cover retaining	3.796
42.	STUD - Secondary throttle shaft adj. ...	3.731	87.	COVER - Thermostat	3.796
43.	NUT - Secondary throttle shaft adj.	3.731	88. (A, B)	GASKET - Thermostat	3.796

NOTE: (A) Included in Gasket Kit, Group 3.724

(B) Included in Repair Kit, Group 3.725.

HOLDEN "LH" PARTS CATALOGUE



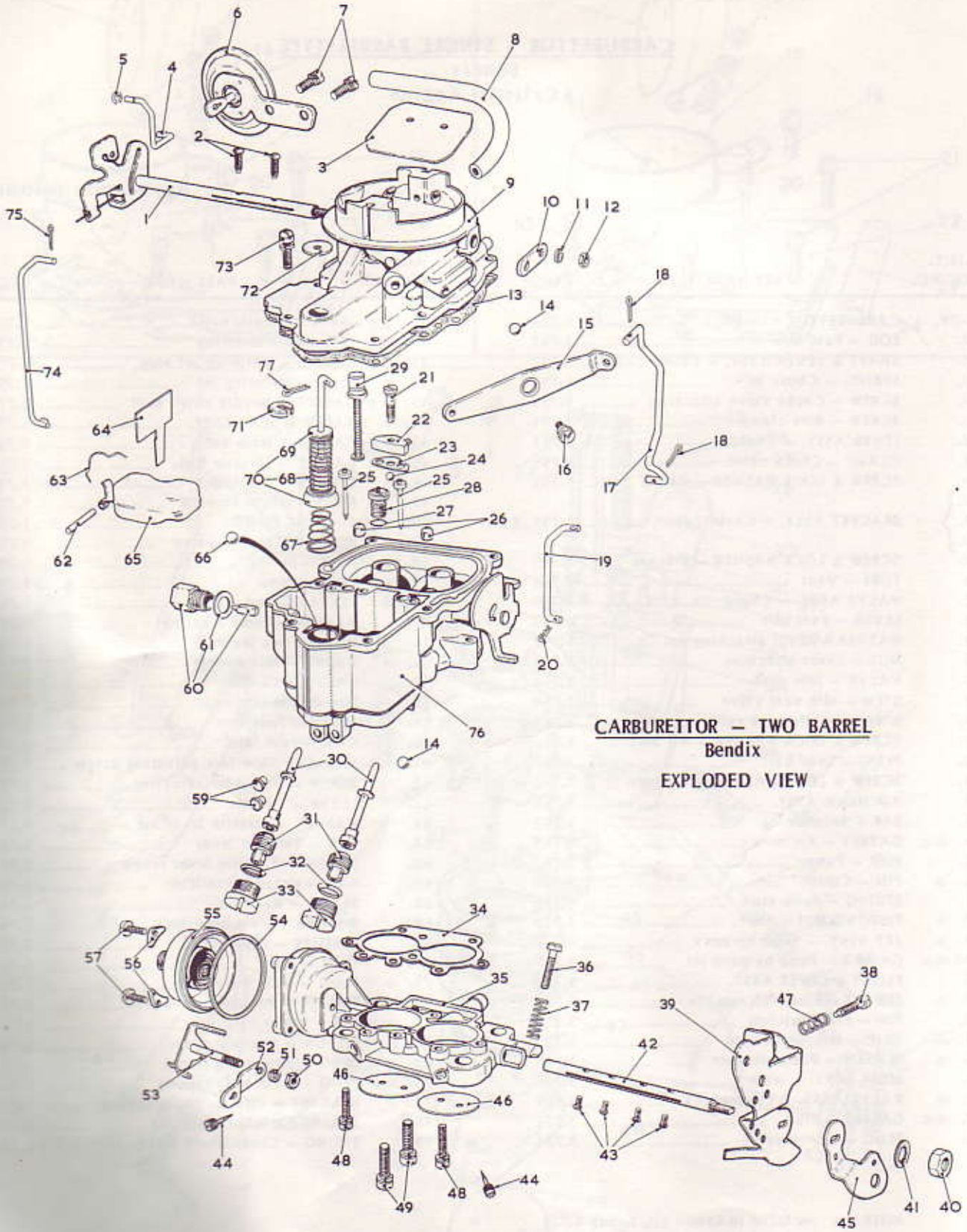
CARBURETTOR – SINGLE BARREL TYPE

**Bendix
6 Cylinder Engine**

ILLUSTRATION OPPOSITE

ILLUS. REF. NO.	PART NAME	GROUP	ILLUS. REF. NO.	PART NAME	GROUP
1-79.	CARBURETTOR ASSEMBLY	3.725	39.	JET – Main discharge	3.754
1.	ROD – Fast idle	3.793	40. (B	JET – Main metering	3.754
2.	SHAFT & LEVER ASSY. – Choke	3.791	41. (B, C	GASKET – Metering jet plug	3.756
3.	SPRING – Choke lever	3.791	42. (B	PLUG – Metering jet	3.756
4.	SCREW – Choke valve attaching	3.789	43. (B, C	GASKET – Needle valve seat	3.772
5.	SCREW – Wire clamp	3.791	44. (B	VALVE & SEAT ASSY.	3.771
6.	LEVER ASSY. – Choke	3.791	45. (B, C	GASKET – Main body	3.749
8.	CLAMP – Choke cable	3.795	45A (B, C	GASKET – Throttle body	3.749
9.	SCREW & LOCK WASHER – Clamp	3.795	46.	SPACER – Insulating	3.748
7. } 8. } 9. }	BRACKET ASSY. – Choke cable	3.795	47.	BODY ASSY. – Throttle	3.727
10.	SCREW & LOCK WASHER – Bracket	3.795	48.	SHAFT – Throttle	3.731
11.	TUBE – Vent	3.763	49.	SCREW – Throttle valve	3.729
12.	VALVE ASSY. – Choke	3.789	50. (B	CLIP – Spring	3.783
13.	LEVER – Fast idle	3.792	51. (B	LINK – Pump	3.783
14.	WASHER – Lever attaching nut	3.792	52. (B	LEVER – Pump	3.780
15.	NUT – Lever attaching	3.792	53.	WASHER – Pump lever nut	3.781
16.	VALVE – idle vent	3.764	54.	NUT – Pump lever	3.781
17.	STEM – Idle vent valve	3.764	56. (B	VALVE – Idle needle	3.741
18.	SPRING – Idle vent valve	3.764	57.	VALVE – Throttle	3.729
19.	SCREW & LOCK WASHER – Air horn	3.763	58.	PIN – Fast idle cam	3.736
20.	PLUG – Lead ball	3.767	59.	LEVER – Fast idle	3.735
21.	SCREW & LOCK WASHER – Air horn	3.763	60.	CAM – Fast idle	3.735
22.	AIR HORN ASSY.	3.763	61.	SPRING – Slow idle adjusting screw	3.734
23.	BAR – Reinforcing	3.763	62.	SCREW – Slow idle adjusting	3.734
24. (B, C	GASKET – Air horn	3.765	63.	LEVER – Throttle	3.731
25.	ROD – Pump	3.782	64.	WASHER – Throttle lever nut	3.731
26. (B	PIN – Cotter	3.778	65.	NUT – Throttle lever	3.731
27.	SPRING – Pump stem	3.779	66.	SPRING – Throttle lever return	3.731
28. (B	PISTON & STEM ASSY.	3.778	67.	ROD – Volume restrictor	3.753
29. (B	JET ASSY. – Pump by-pass	3.757	68.	SCREW – Main body	3.748
29A (B, C	GASKET – Pump by-pass jet	3.757	68A	WASHER – Main body lock	3.748
30.	FLOAT & LEVER ASSY.	3.773	69.	BLEEDER – High speed	3.751
31. (B	SPRING – Float fulcrum pin	3.775	70. (B	TUBE – idle	3.752
32.	PIN – Float fulcrum	3.775	71. (B	PLUG – Main body	3.767
33. (B	CLIP – Strainer screen	3.787	72. (B, C	GASKET – Power by-pass jet	3.757
34. (B	SCREEN – Pump strainer	3.787	73. (B	JET – Power by-pass	3.757
35.	BODY ASSY. – Main	3.748	74.	PISTON – Vacuum power	3.788
36. (B	VALVE ASSY. – Pump check	3.784	75. (B	PLUG – Main body (long)	3.767
37. (B, C	GASKET – Plug	3.784	76. (B	PLUG – Main body (short)	3.767
38.	PLUG – Check valve	3.784	77.	BRACKET – Throttle cable support	3.731
			78.	SCREW – Bracket attaching	3.731
			79.	SPRING – Choke shaft anti-buzz	3.791

NOTE: (B Included in Repair Kit, Group 3.725
(C Included in Gasket Kit, Group 3.724



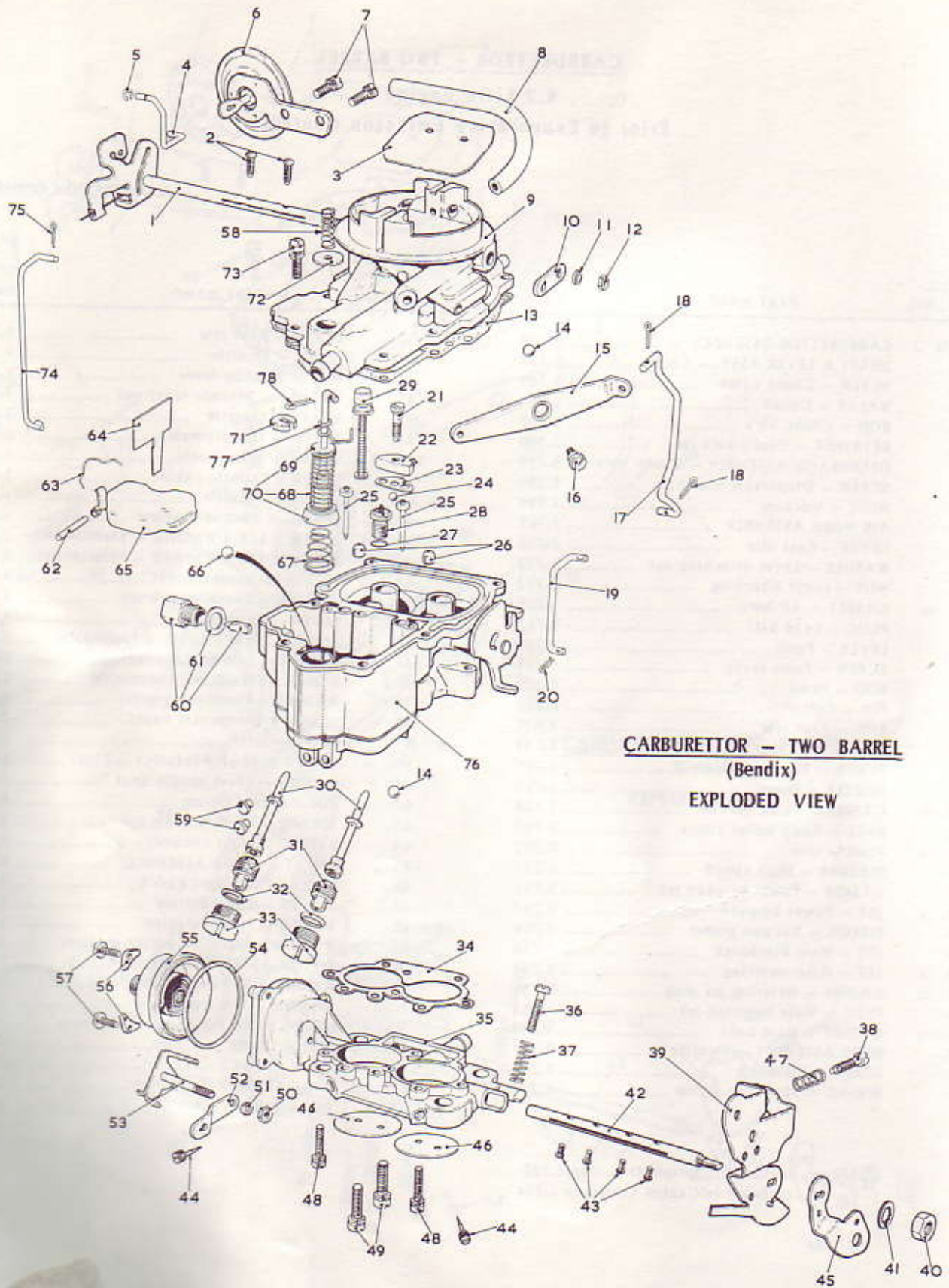
CARBURETTOR - TWO BARREL
Bendix
EXPLODED VIEW

CARBURETTOR – TWO BARREL
4.2 Litre Engine
Prior to Evaporative Emission Control

ILLUSTRATION OPPOSITE

ILLUS. REF. NO.	PART NAME	GROUP	ILLUS. REF. NO.	PART NAME	GROUP
1-76	CARBURETTOR ASSEMBLY	3.725	38.	SCREW – Fast idle	3.737
1.	SHAFT & LEVER ASSY. – Choke	3.791	39.	LEVER – Throttle	3.731
2.	SCREW – Choke valve	3.789	40.	NUT – Throttle lever	3.731
3.	VALVE – Choke	3.789	41.	WASHER – Throttle lever nut	3.731
4.	ROD – Choke kick	3.799	42.	SHAFT – Throttle	3.731
5.	RETAINER – Choke kick rod	3.799	43.	SCREW – Throttle valve	3.729
6.	DIAPHRAGM ASSEMBLY – Choke kick	3.799	44. (A)	VALVE – Idle needle	3.741
7.	SCREW – Diaphragm attaching	3.799	45.	LEVER – Throttle cable	3.731
8.	HOSE – Vacuum	3.799	46.	VALVE – Throttle	3.729
9.	AIR HORN ASSEMBLY	3.763	47.	SPRING – Fast idle screw	3.737
10.	LEVER – Fast idle	3.792	48.	SCREW & LOCK WASHER – Throttle body	3.748
11.	WASHER – Lever attaching nut	3.792	49.	SCREW & LOCK WASHER – Throttle body	3.748
12.	NUT – Lever attaching	3.792	50.	NUT – Thermostat lever	3.797
13. (B)	GASKET – Air horn	3.765	51.	WASHER – Thermostat lever	3.797
14.	PLUG – Lead ball	3.767	52.	LEVER – Thermostat	3.797
15.	LEVER – Pump	3.780	53.	LEVER & SHAFT ASSY. – Thermostat	3.797
16.	SCREW – Pump lever	3.781	54. (B)	GASKET – Thermostat cover	3.796
17.	ROD – Pump	3.783	55.	COVER ASSEMBLY – Thermostat	3.796
18. (B)	PIN – Cotter	3.783	56.	WASHER – Thermostat cover	3.796
19.	ROD – Fast idle	3.793	57.	SCREW – Thermostat cover	3.796
20.	CLIP – Fast idle rod	3.793	59.	PLUG – Drive	3.767
21.	SCREW – Pump nozzle	3.759	60. (A)	VALVE & SEAT ASSEMBLY – Float	3.771
22.	NOZZLE – Pump	3.758	61.	GASKET – Float needle seat	3.772
23. (B)	GASKET – Pump nozzle	3.758	62.	PIN – Float fulcrum	3.775
24.	BALL – Pump outlet check	3.760	63.	SPRING – Float fulcrum pin	3.775
25. (A)	TUBE – Idle	3.752	64.	BAFFLE – Float chamber	3.776
26.	BLEEDER – High speed	3.751	65.	FLOAT & LEVER ASSEMBLY	3.773
27.	GASKET – Power by-pass jet	3.757	66.	BALL – Pump inlet check	3.760
28. (A)	JET – Power by-pass	3.757	67.	SPRING – Pump bottom	3.779
29.	PISTON – Vacuum power	3.788	68.	SPRING – Pump duration	3.779
30.	JET – Main discharge	3.754	69.	WASHER – Duration spring retainer	3.779
31. (A)	JET – Main metering	3.754	70. (A)	PISTON ASSEMBLY – Pump	3.778
32. (B)	GASKET – Metering jet plug	3.756	71.	WASHER – Duration spring clip	3.779
33.	PLUG – Main metering jet	3.755	72.	WASHER – Idle vent seal	3.764
34. (B)	GASKET – Main body	3.749	73.	SCREW & LOCK WASHER – Air horn	3.763
35.	BODY ASSEMBLY – Throttle	3.727	74.	ROD – Choke	3.798
36.	SCREW – Slow idle	3.734	75.	PIN – Cotter	3.798
37.	SPRING – Slow idle screw	3.734	76.	BODY ASSEMBLY – Main	3.748
			77.	PIN – Cotter	3.778

NOTE: (A) Included in Repair Kit Group 3.725
 (B) Included in Gasket Kit Group 3.724



CARBURETTOR — TWO BARREL
(Bendix)
EXPLODED VIEW

EVAPORATIVE EMISSION CONTROL
CARBURETTOR — TWO BARREL TYPE

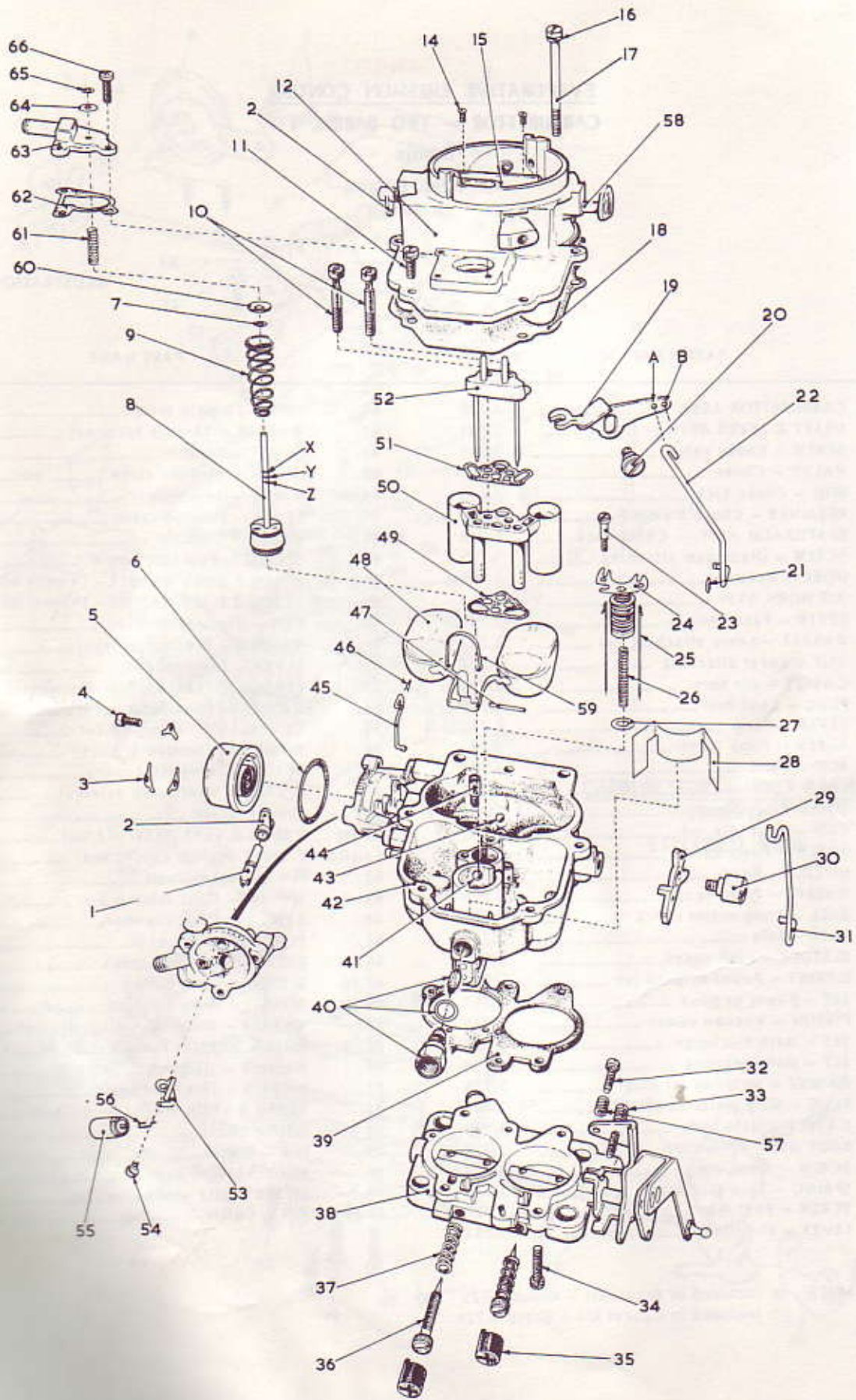
Bendix

4.2 LITRE ENGINE

ILLUSTRATION OPPOSITE

ILLUS. REF. NO.	PART NAME	GROUP	ILLUS. REF. NO.	PART NAME	GROUP
1 - 78.	CARBURETTOR ASSY.	3.725	40.	NUT - Throttle lever	3.731
1.	SHAFT & LEVER ASSY. - Choke	3.791	41.	WASHER - Throttle lever nut	3.731
2.	SCREW - Choke valve	3.789	42.	SHAFT - Throttle	3.731
3.	VALVE - Choke	3.789	43.	SCREW - Throttle valve	3.729
4.	ROD - Choke kick	3.799	44.(B)	VALVE - Idle needle	3.741
5.	RETAINER - Choke kick rod	3.799	45.	LEVER - Throttle cable	3.731
6.	DIAPHRAGM ASSY. - Choke kick	3.799	46.	VALVE - Throttle	3.729
7.	SCREW - Diaphragm attaching	3.799	47.	SPRING - Fast idle screw	3.737
8.	HOSE - Vacuum	3.799	48.	SCREW & LOCK WASHER - Throttle body	3.748
9.	AIR HORN ASSY.	3.763	49.	SCREW & LOCK WASHER - Throttle body	3.748
10.	LEVER - Fast idle	3.792	50.	NUT - Thermostat lever	3.797
11.	WASHER - Lever attaching nut	3.792	51.	WASHER - Thermostat lever	3.797
12.	NUT - Lever attaching	3.792	52.	LEVER - Thermostat	3.797
13.(B,C)	GASKET - Air horn	3.765	53.	LEVER & SHAFT ASSY. - Thermostat	3.797
14.	PLUG - Lead ball	3.767	54.	GASKET - Thermostat cover	3.796
15.	LEVER - Pump	3.780	55.	COVER ASSY. - Thermostat	3.796
16.	SCREW - Pump lever	3.781	56.	WASHER - Thermostat cover	3.796
17.	ROD - Pump	3.783	57.	SCREW - Thermostat cover	3.796
18.(B)	PIN - Cotter	3.783	58.	SPRING - Vent valve external	3.764
19.	ROD - Fast idle	3.793	59.	PLUG - Drive	3.767
20.(B)	CLIP - Fast idle rod	3.793	60.(B)	VALVE & SEAT ASSY. - Float	3.771
21.	SCREW - Pump nozzle	3.759	61.(B,C)	GASKET - Float needle seat	3.772
22.	NOZZLE - Pump	3.758	62.	PIN - Float fulcrum	3.775
23.	GASKET - Pump nozzle	3.758	63.	SPRING - Float fulcrum pin	3.775
24.	BALL - Pump outlet check	3.760	64.	BAFFLE - Float chamber	3.776
25.(B)	TUBE - Idle	3.752	65.	FLOAT & LEVER ASSY.	3.773
26.	BLEEDER - High speed	3.751	66.(B)	BALL - Pump inlet check	3.760
27.(B,C)	GASKET - Power by-pass jet	3.757	67.(B)	SPRING - Pump bottom	3.779
28.(B)	JET - Power by-pass	3.757	68.(B)	SPRING - Pump duration	3.779
29.(B)	PISTON - Vacuum power	3.788	69.	WASHER - Duration spring retainer	3.779
30.	JET - Main discharge	3.754	70.(B)	PISTON ASSY. - Pump	3.778
31.(B)	JET - Main metering	3.754	71.	WASHER - Duration spring clip	3.779
32.(B,C)	GASKET - Metering jet plug	3.756	72.	WASHER - Idle vent seal	3.764
33.(B)	PLUG - Main metering jet	3.755	73.	SCREW & LOCK WASHER - Air horn	3.763
34.(B,C)	GASKET - Main body	3.749	74.	ROD - Choke	3.798
35.	BODY ASSY. - Throttle	3.727	75.	PIN - Cotter	3.798
36.	SCREW - Slow idle	3.734	76.	BODY ASSY. - Main	3.748
37.	SPRING - Slow idle screw	3.734	77.	LIFTER - Idle vent valve	3.764
38.	SCREW - Fast idle	3.737	78.(B)	PIN - Cotter	3.778
39.	LEVER - Throttle	3.731			

NOTE: (B) Included in Repair Kit - Group 3.725
(C) Included in Gasket Kit - Group 3.724



EVAPORATIVE EMISSION CONTROL
CARBURETTOR – TWO BARRELTYPE

EMAIL
4.2 Litre Engine

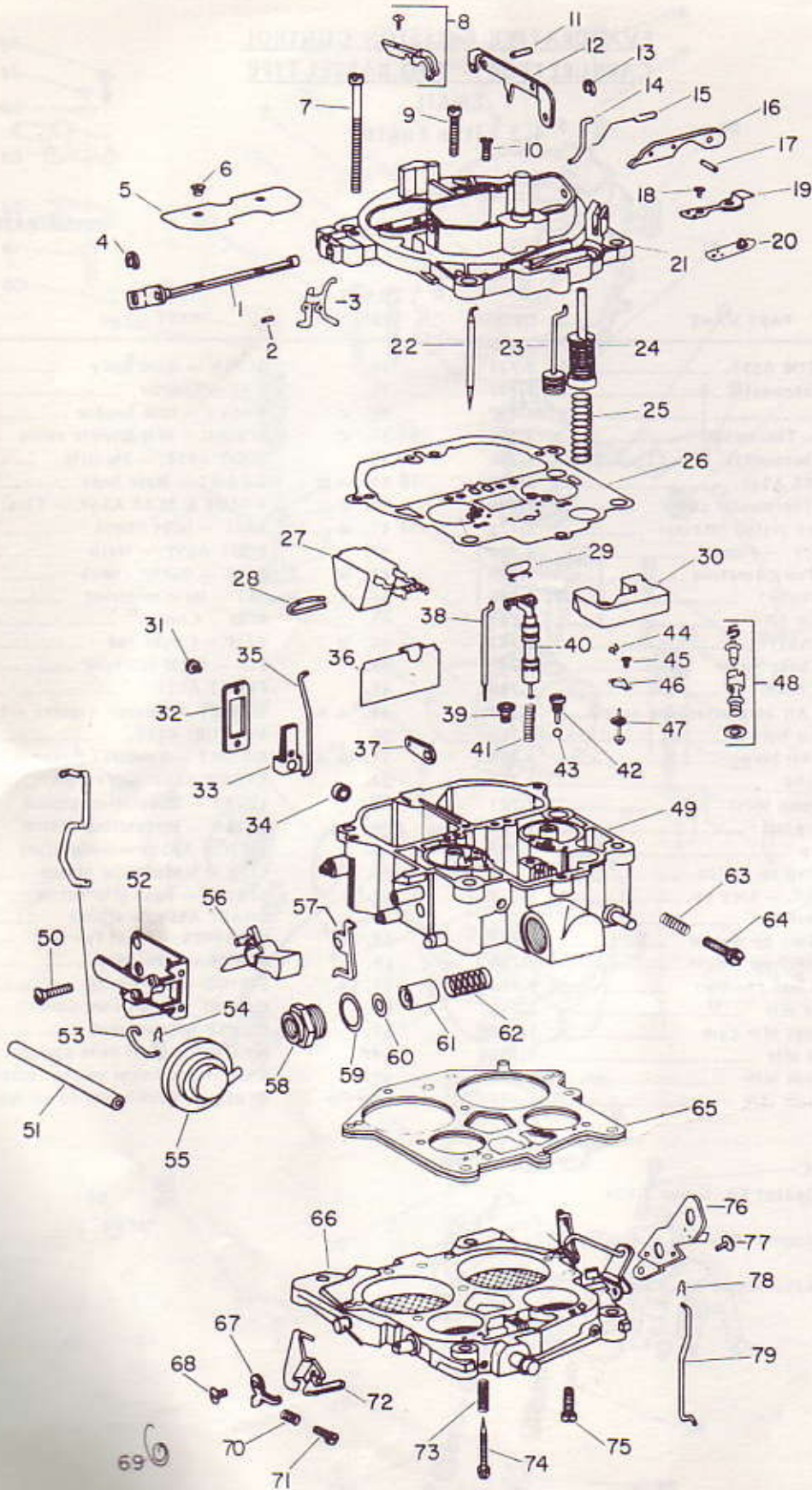
ILLUSTRATION OPPOSITE

ILLUS. REF. NO.	PART NAME	GROUP	ILLUS. REF. NO.	PART NAME	GROUP
1-66	CARBURETTOR ASSY.	3.725	34.	SCREW – Main body	3.748
1.	SHAFT – Thermostat	3.797	35.	CAP – Limiter	3.741
2. ^{ic}	LEVER	3.791/3.797	36. ^c	VALVE – idle needle	3.741
3.	RETAINER – Thermostat	3.796	37. ^{ic}	SPRING – idle needle valve	3.742
4.	SCREW – Thermostat	3.796	38.	BODY ASSY. – Throttle	3.727
5.	THERMOSTAT ASSY.	3.796	39. (A, B)	GASKET – Main body	3.749
6. (A, B)	GASKET – Thermostat cover	3.796	40. ^{ic}	VALVE & SEAT ASSY. – Float	3.771
7.	CLIP – Pump piston retainer	3.778	41. (B)	BALL – Inlet check	3.760
8. ^{ic}	PISTON ASSY. – Pump	3.778	42.	BODY ASSY. – Main	3.748
9. ^{ic}	SPRING – Pump duration	3.779	43. (B)	BALL – Outlet check	3.760
10. ^{ic}	SCREW – Venturi	3.786	44. ^{ic}	JET – Main metering	3.754
11.	SCREW – Air horn	3.763	45.	ROD – Choke	3.798
12.	AIR HORN ASSY.	3.763	46. (B)	CLIP – Choke rod	3.798
14.	SCREW – Choke valve	3.789	47.	PIN – Float fulcrum	3.775
15.	VALVE – Choke	3.789	48.	FLOAT ASSY.	3.773
16.	WASHER – Air horn attaching screw.....	3.763	49. (A, B)	GASKET – Venturi cluster – Lower.....	3.786
17.	SCREW – Air horn	3.763	50.	VENTURI ASSY.	3.786
18. (A, B)	GASKET – Air horn	3.765	51. (A, B)	GASKET – Venturi cluster – Upper.....	3.786
19.	LEVER – Pump	3.780	52.	COVER ASSY. – Venturi	3.786
20.	SCREW – Pump lever	3.781	53.	LEVER – Modulating piston	3.796
21. (B)	CLIP – Pump rod	3.783	54.	SCREW – Modulating piston	3.796
22.	ROD – Pump	3.783	55.	PISTON ASSY. – Modulating	3.796
23. ^{ic}	SCREW – Step up piston	3.788	56.	LINK – Modulating piston	3.796
24. ^{ic}	PISTON ASSY. – Step up	3.788	57.	SPRING – Fast idle screw	3.737
25. ^{ic}	ROD – Metering	3.752	58. ^{ic}	SHAFT ASSY. – Choke	3.791
26. ^{ic}	SPRING – Step up piston	3.788	59. ^{ic}	RETAINER – Float fulcrum	3.775
27. (A, B)	GASKET – Step up piston	3.788	60.	VALVE – Bowl vent	3.764
28.	BAFFLE – Float chamber	3.776	61.	SPRING – Bowl vent	3.764
29.	CAM – Fast idle	3.735	62.	GASKET – Bowl vent cover	3.764
30.	SCREW – Fast idle cam	3.735	63.	COVER – Bowl vent	3.764
31.	ROD – Fast idle	3.793	64.	WASHER – Bowl vent spring	3.764
32.	SCREW – Fast idle	3.737	65.	CLIP – Bowl vent washer retainer....	3.764
33.	SCREW – Slow idle	3.734	66.	SCREW – Vent cover to air horn	3.764

NOTE: (A) Included in Gasket Kit, Group 3.724

(B) Included in Minor Repair Kit, Group 3.725

(C) Included in Major Repair Kit, Group 3.725



CARBURETTOR – FOUR BARREL TYPE
ROCHESTER
5 Litre Engines

ILLUSTRATION OPPOSITE

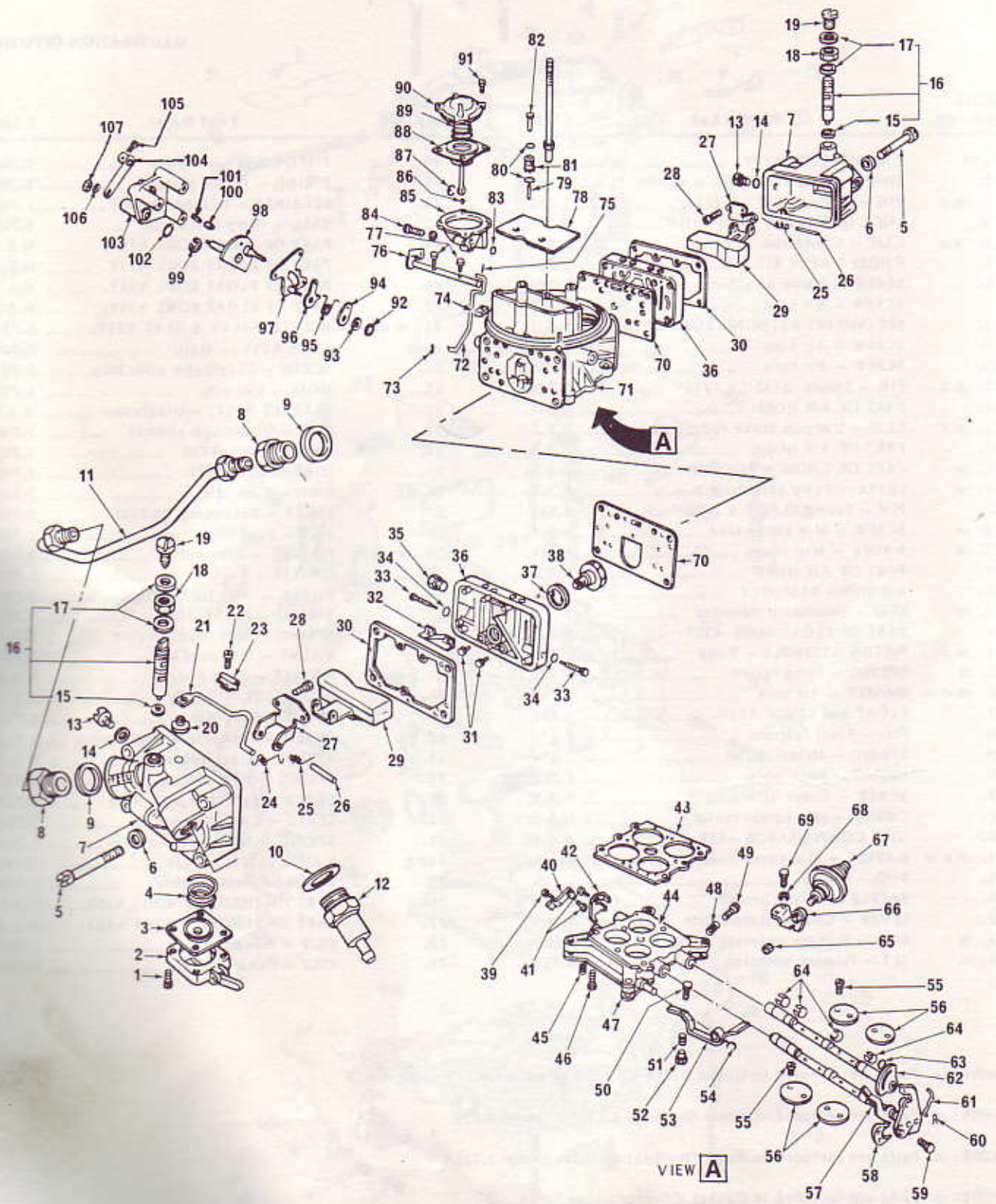
ILLUS. REF. NO.	PART NAME	GROUP	ILLUS. REF. NO.	PART NAME	GROUP
1-79	CARBURETTOR ASSY.	3.725	40.	PISTON ASSY. – Power	3.788
1.	SHAFT and LEVER ASSY. – Choke	3.791	41.	SPRING – Power piston	3.788
2. (B, C)	PIN – Spring 3/32" x 7/16"	3.780	42.	RETAINER – Discharge ball	3.760
3.	LOCK OUT LEVER – Air valve	N.S.S.	43. (B, C)	BALL – Pump discharge	3.760
4. (B, C)	CLIP – Choke rod	3.798	44.	PART OF FLOAT BOWL ASSY.	N.S.S.
5.	CHOKE VALVE KIT	3.764	45.	PART OF FLOAT BOWL ASSY.	N.S.S.
6.	SCREW – Valve attaching	3.789	46.	PART OF FLOAT BOWL ASSY.	N.S.S.
7.	SCREW – Air horn	3.763	47.	PART OF FLOAT BOWL ASSY.	N.S.S.
8.	SECONDARY METERING ROD HOLDER KIT	N.S.S.	48. (B, C)	NEEDLE VALVE & SEAT ASSY.	3.771
9.	SCREW – Air horn	3.763	49.	BODY ASSY. – Main	3.748
10.	SCREW – Air horn	3.763	50.	SCREW – Diaphragm attaching	3.799
11. (B, C)	PIN – Spring, 3/32" x 7/16"	3.780	51.	HOSE – Vacuum	3.799
12.	PART OF AIR HORN	N.S.S.	52.	BRACKET ASSY. – Diaphragm	N.S.S.
13. (B, C)	CLIP – Vacuum brake rod	N.S.S.	53.	ROD – Diaphragm control	3.799
14.	PART OF AIR HORN	N.S.S.	54.	CLIP – Control rod	3.799
15. (A)	PART OF CHOKE VALVE KIT	N.S.S.	55.	DIAPHRAGM ASSY.	3.799
16. (A)	LEVER – Pump actuating	N.S.S.	56.	CAM – Fast idle	3.735
17.	PIN – Spring, 3/32" x 7/16"	8.941	57.	LEVER – Secondary lockout	3.798
18. (A)	SCREW – Idle vent valve	N.S.S.	58.	NUT – Fuel filter	3.787
19. (A)	VALVE – Idle vent	N.S.S.	59. (C, D)	GASKET – Inlet nut	3.787
20.	PART OF AIR HORN	N.S.S.	60. (D)	GASKET – Fuel filter	3.787
21.	AIR HORN ASSEMBLY	3.763	61.	FILTER – Inlet fuel	3.787
22. (C)	ROD – Secondary metering	3.806	62.	SPRING – Fuel filter	3.787
23.	PART OF FLOAT BOWL ASSY.	N.S.S.	63.	SPRING – Idle needle valve	3.742
24. (B, C)	PISTON ASSEMBLY – Pump	3.778	64.	VALVE – Idle needle	3.741
25. (C)	SPRING – Pump return	3.779	65. (B, C, D)	GASKET – Main body	N.S.S.
26. (B, C, D)	GASKET – Air horn	3.765	66.	BODY ASSY. – Throttle	3.727
27.	FLOAT and LEVER ASSY.	3.773	67.	LEVER – Fast idle	3.735
28.	PIN – Float fulcrum	3.775	68.	SCREW – Fast idle & cam levers ...	3.735
29.	SPRING – Metering rod	3.810	69.	SPRING – Cam follower lever	N.S.S.
30.	INSERT – Main body	3.762	70.	SPRING – Fast idle screw	3.737
31.	SCREW – Cover attaching	N.S.S.	71.	SCREW – Fast idle adjusting	3.737
32.	COVER – Idle compensator	N.S.S.	72.	LEVER – Cam follower	3.735
33.	IDLE COMPENSATOR ASSY.	N.S.S.	73.	SPRING – Idle needle valve	3.742
34. (B, C, D)	GASKET – Idle compensator	N.S.S.	74. (C)	VALVE – Idle needle	3.741
35.	ROD – Choke	3.798	75.	SCREW – Throttle body	3.748
36.	BAFFLE – Float chamber	3.776	76.	PART OF THROTTLE BODY ASSY.	N.S.S.
37.	LEVER – Choke intermediate	3.791	77.	PART OF THROTTLE BODY ASSY.	N.S.S.
38. (C)	ROD – Primary metering	3.806	78.	CLIP – Pump rod	3.783
39. (C)	JET – Primary metering	3.754	79.	ROD – Pump	3.783

NOTE: (A) Parts are included in Choke Valve Kit refer Illustration Reference No. 5

NOTE: (B) Parts are included in Minor Overhaul Kit refer Group 3.725

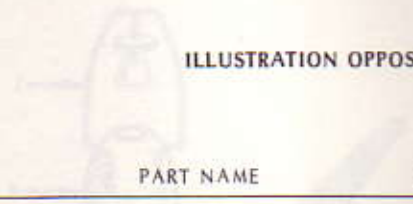
NOTE: (C) Parts are included in Major Overhaul Kit refer Group 3.725

NOTE: (D) Parts are included in Gasket Kit refer Group 3.724.



CARBURETTOR — FOUR BARREL TYPE
L34 OPTION WITH HIGH OUTPUT PACKAGE
HOLLEY

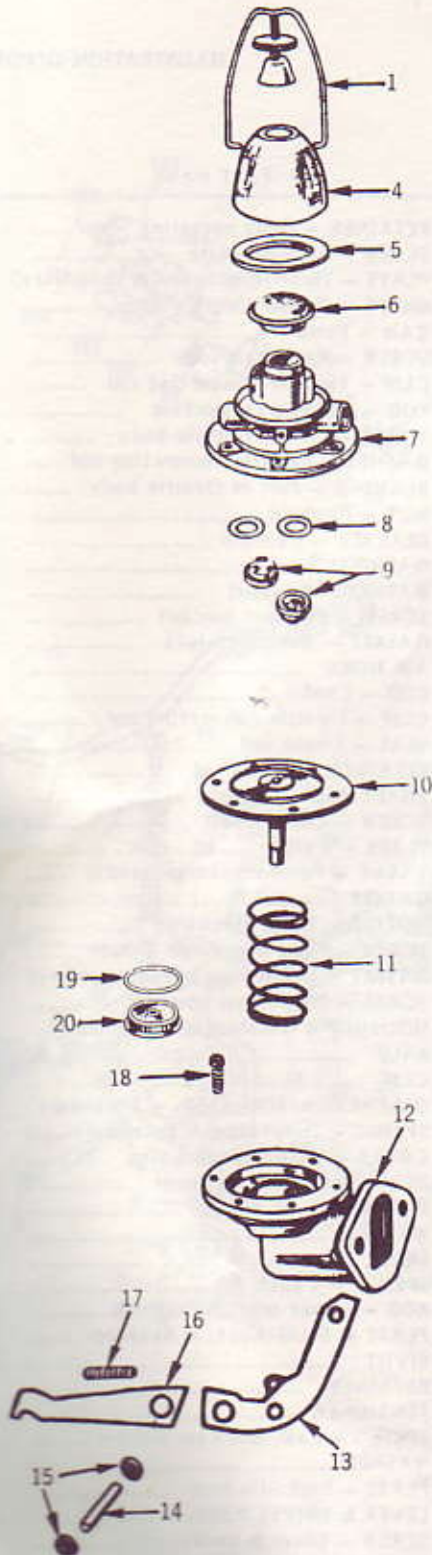
ILLUSTRATION OPPOSITE



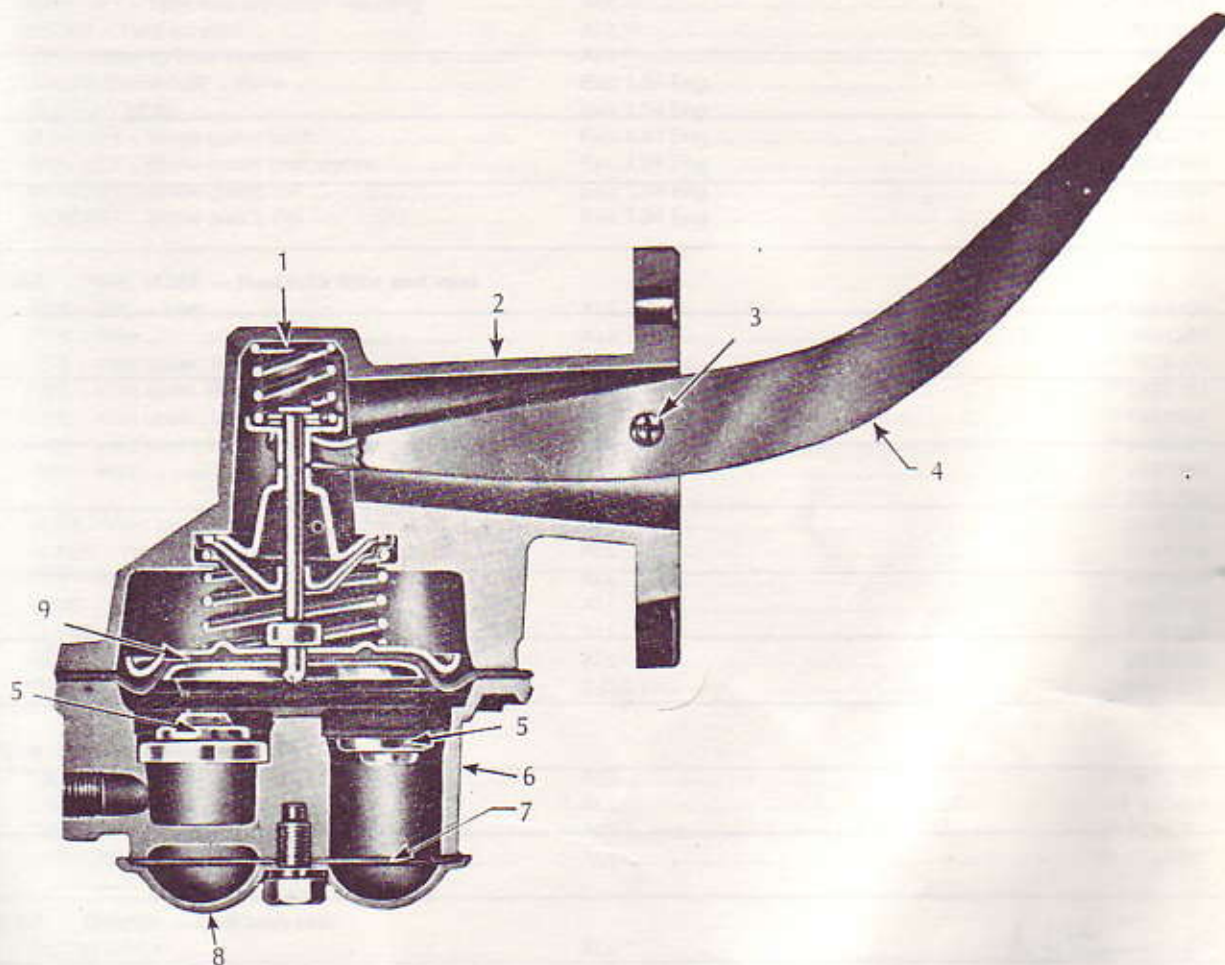
ILLUS. REF. NO.	PART NAME	GROUP	ILLUS. REF. NO.	PART NAME	GROUP
1-107.	CARBURETTOR ASSEMBLY	3.725	54.	RETAINER — Pump operating lever	
1.	SCREW — Pump cover assy.		55. (A)	SCREW — Throttle plate	N.S.S.
2.	COVER ASSY. — Fuel pump		56.	PLATE — Throttle (primary & secondary)	
3.	(A) DIAPHRAGM ASSY. — Fuel pump	N.S.S.	57.	SHAFT — Part of throttle body	N.S.S.
4.	SPRING — Diaphragm return		58.	CAM — Pump	
5.	SCREW — Bowl to body		59.	SCREW — Pump cam lock	
6.	(A) GASKET	N.S.S.	60.	CLIP — Throttle connecting rod	
7.	BOWL — Fuel		61.	ROD — Throttle connecting	
8.	CONNECTOR — Fuel line		62.	SHAFT — Part of throttle body	N.S.S.
9.	(A) GASKET — Fuel line connector	N.S.S.	63.	WASHER — Throttle connecting rod ...	
10.	(A) GASKET — Fuel inlet adaptor	N.S.S.	64.	BUSHING — Part of throttle body	N.S.S.
11.	PIPE — Fuel line connector		65.	NUT — Dashpot	
12.	ADAPTOR — Fuel inlet		66.	BRACKET — Dashpot	
13.	PLUG — Fuel level check		67.	DASHPOT	
14.	(A) GASKET — Fuel level check	N.S.S.	68.	WASHER — Dashpot	
15.	(A) 'O' RING — Fuel valve seat	N.S.S.	69.	SCREW — Dashpot bracket	
16.	VALVE & SEAT ASSY. — Float needle	3.771	70. (A)	GASKET — Metering block	3.756
17.	(A) GASKET — Fuel inlet valve	N.S.S.	71.	AIR HORN	N.S.
18.	NUT — Valve seat adjusting		72.	ROD — Choke	
19.	SCREW — Valve seat lock		73.	CLIP — Throttle connecting rod	
20.	VALVE — Air vent		74.	SEAL — Choke rod	
21.	ROD — Air vent		75.	RETAINER — Choke rod	
22.	SCREW — Float rod		76.	SHAFT ASSY. — Choke	
23.	CLIP — Float rod		77. (A)	SCREW — Choke shaft	N.S.S.
24.	SPRING — Air vent rod		78.	PLATE — Choke	N.S.
25.	SPRING — Float		79. (A)	VALVE — Pump discharge needle	N.S.S.
26.	PIN — Float		80.	GASKET	N.S.S.
27.	SUPPORT — Float		81. (A)	NOZZLE — Pump discharge	N.S.S.
28.	SCREW — Float support		82.	SCREW — Pump discharge nozzle	
29.	FLOAT ASSY.		83. (A)	GASKET — Diaphragm housing screw ..	N.S.S.
30.	(A) GASKET — Primary & secondary bowl	3.765	84.	SCREW — Diaphragm housing	
31.	JET — Main — Secondary	3.754	85.	HOUSING — Diaphragm — Secondary ..	
32.	BAFFLE — Metering body bent		86. (A)	BALL	N.S.S.
33.	(A) SCREW — Idle adjusting	N.S.S.	87.	CLIP	
34.	(A) SEAL — Idle adjusting screw	N.S.S.	88. (A)	DIAPHRAGM/ROD ASSY. — Secondary	N.S.S.
35.	PLUG — Spark control		89.	SPRING — Diaphragm — Secondary	
36.	BODY — Main metering w/plugs—Prim.		90.	COVER — Diaphragm housing	
37.	(A) GASKET — Power valve	N.S.S.	91.	SCREW — Diaphragm cover	
38.	VALVE ASSY. — Power	3.757	92.	NUT — Back up plate	
39.	SCREW — Diaphragm lever		93.	WASHER	
40.	LEVER — Fast idle cam		94.	LEVER	
41.	(A) SCREW	N.S.S.	95.	SPRING — Choke	
42.	LEVER — Diaphragm		96.	ROD — Choke lever w/bushing	
43.	(A) GASKET — Throttle body — Upper	N.S.S.	97.	PLATE & STUD ASSY. — Back up	
44.	BODY — Throttle w/shaft		98.	PIVOT	
45.	SCREW — Diaphragm lever adj.		99.	RETAINER	
46.	SCREW — Throttle body		100.	TENSIONER	
47.	(A) GASKET — Throttle body — Lower	N.S.S.	101.	SPRING — Fast idle cam plunger	
48.	SPRING — Adj. screw — Primary		102.	WASHER	
49.	SCREW — Throttle stop		103.	PLATE — Fast idle cam	
50.	SCREW — Pump lever adjusting		104.	LEVER & SWIVEL ASSY. — Choke	
51.	SPRING — Fuel pump lever adj.		105.	SCREW — Lever & swivel assy.	
52.	FITTING — Pump lever adjusting		106.	WASHER — Choke control lever	
53.	LEVER — Pump operating		107.	NUT — Choke control lever	

NOTE: (A) Parts included in Repair Kit, Refer Group 3.725

FUEL PUMP
6 Cylinder Engine



ILLUS. REF. NO.	PART NAME	GROUP
1.	BAIL AND SCREW	3.906
4.	BOWL	3.903
5.	GASKET	3.904
6.	SCREEN ASSEMBLY	3.929
7.	COVER	3.910
8.	GASKET	3.913
9.	VALVE AND CAGE ASSEMBLY	3.909
10.	DIAPHRAGM AND PULL ROD ASSEMBLY....	3.925
11.	SPRING	3.927
12.	BODY	3.902
13.	ARM	3.920
14.	PIN	3.921
15.	PLUG	3.921
16.	LINK	3.931
17.	SPRING	3.922
18.	SCREW AND WASHER	3.910
19.	WASHER - Seal	3.902
20.	SEAL	3.902



FUEL PUMP

8 Cyl. Eng.

Illus. Ref. No.	Part Name	Group	Illus. Ref. No.	Part Name	Group
1.	SPRING — Rocker arm	3.922	6.	COVER ASSEMBLY	3.910
2.	BODY	3.902	7.	PULSATOR — Diaphragm	3.926
3.	PIN — Rocker arm	3.921	8.	PLATE — Pulsator cover	3.926
4.	ARM — Rocker	3.920	9.	DIAPHRAGM & PULL ROD ASSEMBLY	3.925
5.	VALVE ASSEMBLY	3.909			

HOLDEN "LH" PARTS CATALOGUE

GROUP	DESCRIPTION	MODEL	SIDE	PART No.	QTY.
3.001	TANK — Fuel				
	TANK	ALL		(¹⁴ 2824105	1
	TANK	ALL		(²⁵ 9934250	1
	BRACKET - Tank mounting front	ALL		(¹⁴ 2823484	2
	BRACKET - Tank mounting rear	ALL		(¹⁴ 9937162	2
	BRACKET - Tank mounting	ALL		(¹⁴ 2823484	1
	BRACKET - Tank and separator mounting	ALL		(²⁵ 9936917	1
	STRAP - Tank support	ALL		2823999	2
	NUT - Strap to front mounting	ALL		SP2220	2
	GUARD PACKAGE - Stone	Exc. L34 Eng.		9932512	1
	GUARD - Stone	Exc. L34 Eng.		9932168	1
	BRACKET - Stone guard front	Exc. L34 Eng.		9932087	2
	BRACKET - Stone guard front centre	Exc. L34 Eng.		9932169	1
	BRACKET - Stone guard, LH	Exc. L34 Eng.		9932089	1
	BRACKET - Stone guard, RH	Exc. L34 Eng.		9932088	1
3.003	PIPE, HOSE — Fuel tank filler and vent				
	PIPE ASSY. - Filler	ALL		(¹⁴ 2824103	1
	PIPE - Filler	ALL		(¹⁴ 9934256	1
	PIPE - Vent upper, RH	ALL		(¹⁴ 2824104	1
	PIPE - Vent lower, RH	ALL		(¹⁴ 2824101	1
	PIPE - Vent upper, LH	ALL		(¹⁴ 9931687	1
	PIPE - Vent lower, LH	ALL		(¹⁴ 9930621	1
	PIPE - Vent	ALL	LH	(¹⁴ 9931753	1
			RH	(¹⁴ 9931754	1
	HOSE - Vent pipe	ALL		9928895	2
	CLAMP - Hose	ALL		7441715	4
	PIPE - Rear vent lower	ALL		9931683	1
	HOSE - Rear vent	ALL		3933330	1
	CLAMP - Hose	ALL		3786276	2
	PROTECTOR - Filler pipe	ALL		9930686	1
	PROTECTOR - Vent pipe	8 Cyl. Eng.		(¹⁴ 9937632	1-2
3.028	CAP — Fuel tank filler				
	CAP ASSY.	ALL		(¹⁴ 9931707	1
	CAP ASSY.	ALL		(¹⁴ 410431	1
	CAP ASSY. - Locking	ALL		(¹⁴ 9929784	1
	CAP ASSY. - Locking	ALL		(¹⁴ 9936087	1
3.107	GAUGE — Fuel tank unit				
	GAUGE ASSY.	ALL		9932291	1
	CAM - Fuel gauge tank unit retainer	ALL		3774937	1
3.110	STRAINER — Fuel tank riser pipe				
	STRAINER	ALL		2824038	1
3.112	SEAL — Fuel gauge tank unit				
	SEAL	ALL		7421765	1
3.120	SEPARATOR — Fuel — Evaporative Emission Control				
	SEPARATOR ASSY.	ALL		9936791	1
	BRACKET - Mounting	ALL		9934269	1
	SCREW & WASHER	ALL		SP2279	2
3.120	PIPE, HOSE — Fuel tank to separator — Evaporative Emission Control				
	PIPE - Fuel tank front vent R.H.	ALL		9931752	1
	HOSE - Separator to L.H. front pipe	ALL		9938208	1
	CLAMP - Hose to separator and fuel tank	ALL		3786275	2
	HOSE - Separator to R.H. front pipe	ALL		7415658	1
	CLAMP - Hose to separator and pipe	ALL		3786275	2
Note:	(¹⁴ Prior to fuel evaporative emission control.				
	(²⁵ Use with fuel evaporative emission control.				

HOLDEN "LH" PARTS CATALOGUE

GROUP	DESCRIPTION	MODEL	SIDE	PART No.	QTY.
3.120 PIPE, HOSE — Fuel tank to separator — Evaporative Emission Control (contd.)					
	HOSE - Separator to R.H. rear pipe	ALL		9432886	1
	CLAMP - Hose to pipe	ALL		3786276	2
	PIPE - Fuel tank to separator front	ALL	RH	9931820	1
	PIPE - Fuel tank to separator rear	ALL	RH	9931822	1
	HOSE - Fuel tank to R.H. front pipe	ALL		9935174	1
	CLAMP - Hose to pipe and fuel tank	ALL		3786275	2
	HOSE - Fuel tank to R.H. rear pipe	ALL		9935175	1
	CLAMP - Hose to pipe and fuel tank	ALL		3786276	2
	HOSE - Separator to vapour pipe	ALL		7415658	1
	CLAMP - Hose to separator and pipe	ALL		3786275	2
3.120 PIPE, HOSE — Fuel separator to canister — Evaporative Emission Control					
	PIPE - Separator to canister	ALL		9937772	1
	CLIP - Pipe to floor pan	ALL		9934502	3
	CLIP - Pipe to underbody	ALL		9937636	1
	CLIP - Vent pipe	ALL		9935173	1
	CLIP - Pipe to floor pan	ALL		9930835	1
	CLIP - Vapour pipe to side rail	ALL		SP2367	3
	HOSE - Vapour pipe to canister	ALL		9937771	1
	CLAMP - Hose to pipe and canister	ALL		3786275	2
3.120 HOSE HARNESS, TEE — Canister to engine — Evaporative Emission Control					
	HOSE HARNESS - Canister to engine	4 Cyl. Eng.		9939018	1
	TEE - Ported vacuum	4 Cyl. Eng.		3015492	1
	HOSE HARNESS - Canister to engine	(M) 6 Cyl. Eng.		9937686	1
	HOSE HARNESS - Canister to engine	(A) 6 Cyl. Eng.		9937685	1
	TEE - Ported vacuum	(M) 6 Cyl. Eng.		3028858	1
	TEE - P.C.V.	6 Cyl. Eng.		3970076	1
	STRAP - Hose securing	6 Cyl. Eng.		7436769	1
	HOSE HARNESS - Canister to engine	(M) 4.2 Litre Eng.	(²⁶)	9937689	1
	HOSE HARNESS - Canister to engine	(M) 4.2 Litre Eng.	(²⁷)	9937783	1
	HOSE HARNESS - Canister to engine	(A) 4.2 Litre Eng.	(²⁶)	9937784	1
	HOSE HARNESS - Canister to engine	(A) 4.2 Litre Eng.	(²⁷)	9937785	1
	TEE - Ported vacuum	(M) 4.2 Litre Eng.		3028858	1
	TEE - P.C.V.	4.2 Litre Eng.		3970076	1
	STRAP - Hose securing	4.2 Litre Eng.		7436769	1
	HOSE HARNESS - Canister to engine	(M) 5 Litre Eng.		9937691	1
	HOSE HARNESS - Canister to engine	(A) 5 Litre Eng.		9937690	1
	TEE - Ported vacuum	(M) 5 Litre Eng.		3028858	1
	TEE - P.C.V.	5 Litre Eng.		3970076	1
	STRAP - Hose securing	5 Litre Eng.		7436769	1
3.130 CANISTER, SUPPORT — Fuel vapour — Evaporative Emission Control					
	CANISTER	ALL		7030758	1
	CAP - Canister sealing	4 Cyl. Eng.		9937549	1
	CAP - Canister sealing	5 Litre Eng.		9937549	1
	CAP - Canister drain	ALL		7021697	1
	SUPPORT ASSEMBLY	ALL		9932854	1
	SUPPORT	ALL		9937775	3
	RING - Support	ALL		9937714	1
3.158 PIPE — Fuel					
	PIPE ASSY - Fuel tank to pump	Exc. L34 Eng.		9928883	1
	PIPE ASSY - Fuel tank to pump	L34 Eng.		9937421	1
	PIPE - Fuel auxiliary	4 Cyl. Eng.		9931388	1
	CLIP - Fuel pipe	ALL		SP2367	2

Note: (²⁶) Use with Bendix carburettor.
 (²⁷) Use with Email carburettor.

HOLDEN "LH" PARTS CATALOGUE

GROUP	DESCRIPTION	MODEL	SIDE	PART No.	QTY.
3.163	HOSE - Fuel line				
	HOSE - Fuel pipe to pump	4 Cyl. Eng.		2825213	1
	HOSE - Fuel pipe auxiliary fuel pipe	4 Cyl. Eng.		7434211	1
	HOSE - Fuel pipe to pump	6 Cyl. Eng.		7434211	1
	HOSE - Fuel pipe to pump	Exc. L34 Eng.		9930868	1
	HOSE - Fuel pipe to pump	L34 Eng.		9937403	1
	HOSE - Fuel pipe to tank	Exc. L34 Eng.		2815522	1
	HOSE - Fuel pipe to tank	L34 Eng.		9937233	1
	CLAMP - Hose	Exc. L34 Eng.		3786275	6-4
	CLAMP - Fuel pipe to hose	L34 Eng.		3786276	2
	CLAMP - Fuel hose to pump	L34 Eng.		3786275	1
	CLAMP - Fuel hose to tank	L34 Eng.		3786275	1
	CONNECTOR - Fuel hose to fuel pump	6 Cyl. Eng.		3750685	1
	CONNECTOR - Fuel hose to fuel pump	8 Cyl. Eng.		7435003	1
3.201	PIPE - Carburettor fuel				
	PIPE ASSY. - With ring	4 Cyl. Eng.		820410	1
	PIPE ASSY.	6 Cyl. Eng.		7426211	1
	PIPE ASSY.	4.2 Litre Eng.		(²⁶ 9930601	1
	PIPE ASSY.	4.2 Litre Eng.		(²⁷ 9936961	1
	PIPE ASSY.	5 Litre Eng.		9930599	1
3.202	FUEL PIPE FITTINGS				
	CLIP - Fuel pipe to oil pump	4 Cyl. Eng.		SP2503	1
	CLIP - Fuel pipe to air cond. support bracket	4 Cyl. Eng. Air Cond.		SP2052	1
	CLIP - Fuel & brake pipes to engine side rail	Exc. L34 Eng.		2806758	1
	CLIP - Fuel pipe to engine side rail	L34 Eng.		9930835	1
	CLIP - Fuel & brake pipes to u/body side member	ALL		2806758	1
	CLIP - Fuel pipe	6 Cyl. Eng.		7423305	1
	CLIP - Vent pipe to underbody	ALL		9930835	2
	CLIP - Fuel pipe to rear quarter	ALL		2823630	2
	CLIP - Fuel pipe to tank support bracket	L34 Eng.		9930835	1
	CLIP - Fuel & brake pipes to underbody	ALL		9930835	1
	CLIP - Fuel & brake pipes to engine side rail	ALL		SP2357	2-4
3.260	HOSE, CLAMP - Inlet manifold water				
	HOSE - Inlet	6 Cyl. Eng. exc. Air Cond.		9928722	1
	HOSE - Inlet	6 Cyl. Eng. Air Cond.		2815207	1
	HOSE - Inlet	4.2 Litre Eng.		2820471	1
	HOSE - Inlet	5 Litre Eng.		2820472	1
	INLET	5 Litre Eng.		2820473	1
	HOSE - Outlet	6 Cyl. Eng.		(²⁸ 2820830	1
	HOSE - Outlet	4.2 Litre Eng.		(²⁹ 2822947	1
	HOSE - Outlet	5 Litre Eng.		(²⁹ 2822948	1
	CLAMP - Hose, 1.03" dia.	6, 8 Cyl. Eng.		SP1610	A.R.
	CLAMP - Outlet hose	6 Cyl. Eng.		(²⁹ 7433806	1
3.261	GASKET - Inlet manifold water outlet				
	GASKET	5 Litre Eng.		2808164	1
3.265	MANIFOLD - Inlet				
	MANIFOLD	(M) 4 Cyl. Eng.		850229	1
	MANIFOLD - Less studs	(A) 4 Cyl. Eng.		850236	1
	MANIFOLD	2250 Eng.		2820818	1
	MANIFOLD	2850, 3300 Eng.		2825869	1
	MANIFOLD	4.2 Litre Eng.		9928683	1
	MANIFOLD	5 Litre exc. L34 Eng.		9929854	1
	MANIFOLD	L34 Eng.		9936304	1
	PLUG - Auto hex. hd. 1/4"	(M) 6 Cyl. Eng. exc. Air Cond.		444819	1

Note: (²⁸ When heater not fitted.
(²⁹ Use with Bendix carburettor.
(²⁹ Use with Email carburettor.

HOLDEN "LH" PARTS CATALOGUE

GROUP	DESCRIPTION	MODEL	SIDE	PART No.	QTY.
3.265	MANIFOLD — Inlet (contd.)				
	ADAPTOR - Vacuum, single	(M) 4 Cyl. Eng. Drum Brakes, Air Cond.		(²⁴ 850143	1
	ADAPTOR - Vacuum, single	(M) 4 Cyl. Eng. Disc Brakes		850141	1
	ADAPTOR - Vacuum, 2 way	(M) 4 Cyl. Eng. Disc Brakes, Air Cond.		(²⁴ 850254	1
	ADAPTOR - Vacuum, single	(A) 4 Cyl. Eng. Drum Brakes exc. Air Cond.		(²⁴ 850143	1
	ADAPTOR - Vacuum, 2 way	(A) 4 Cyl. Eng. Drum Brakes, Air Cond.		(²⁴ 850144	1
	ADAPTOR - Vacuum, 2 way	(A) 4 Cyl. Eng. Disc Brakes exc. Air Cond.		(²⁴ 850254	1
	ADAPTOR - Vacuum, 3 way	(A) 4 Cyl. Eng. Disc Brakes, Air Cond.		(²⁴ 850121	1
	ADAPTOR - Vacuum, single	4 Cyl. Eng.		(²⁵ 9939653	1
	ADAPTOR - Vacuum, 2 way	(A) 4 Cyl. Eng.		(²⁵ 9939652	1
	ADAPTOR - Vacuum, 3 way	(A) 4 Cyl. Eng. Disc Brakes		(²⁵ 9938775	1
	ADAPTOR - Vacuum, 3 way	(A) 4 Cyl. Eng. Air Cond.		(²⁵ 9939651	1
	ADAPTOR - Vacuum, 2 way	(M) 4 Cyl. Eng. Disc Brakes		(²⁵ 9938774	1
	ADAPTOR - Vacuum, 3 way	(M) 4 Cyl. Eng. Disc Brakes, Air Cond.		(²⁵ 9938775	1
	ADAPTOR - Vacuum, 4 way	(A) 4 Cyl. Eng. Disc Brakes, Air Cond.		(²⁵ 9939728	1
	TUBE - Vacuum connecting	4 Cyl. Eng.		851804	1
	ELBOW	(A) 4 Cyl. Eng.		850254	1
	ADAPTOR - Vacuum, single	(M) 6 Cyl. Eng. Drum Brakes, Air Cond.		2819593	1
	ADAPTOR - Vacuum, single	(M) 6 Cyl. Eng. Disc Brakes exc. Air Cond.		2820727	1
	ADAPTOR - Vacuum, 2 way	(M) 6 Cyl. Eng. Disc Brakes, Air Cond.		9930189	1
	ADAPTOR - Vacuum, single	(A) 6 Cyl. Eng. Drum Brakes exc. Air Cond.		2819593	1
	ADAPTOR - Vacuum, 2 way	(A) 6 Cyl. Eng. Drum Brakes, Air Cond.		9930190	1
	ADAPTOR - Vacuum, 2 way	(A) 6 Cyl. Eng. Disc Brakes exc. Air Cond.		9930189	1
	ADAPTOR - Vacuum, 3 way	(A) 6 Cyl. Eng. Disc Brakes, Air Cond.		9930192	1
	ADAPTOR - Vacuum, 2 way	(M) 8 Cyl. Eng. exc. Air Cond., L34 Eng. ...		9930194	1
	ADAPTOR - Vacuum, 3 way	(M) 8 Cyl. Eng. Air Cond.		9930196	1
	ADAPTOR - Vacuum, 3 way	(A) 8 Cyl. Eng. exc. Air Cond.		9930196	1
	ADAPTOR - Vacuum, 4 way	(A) 8 Cyl. Eng. Air Cond.		9930197	1
	ADAPTOR - Vacuum, single	L34 Eng.		2820727	1
	ADAPTOR	Power Drum Brakes	<i>d.h.a.</i>	2820727	1
3.270	GASKET SET, GASKET — Manifold				
	GASKET - Inlet & exhaust	4 Cyl. Eng.		850700	1
	GASKET SET	6 Cyl. Eng.		7430496	1
	GASKET	6 Cyl. Eng.		7429521	1
	GASKET SET - Inlet manifold	8 Cyl. Eng.		2811259	1
	GASKET - Inlet manifold	8 Cyl. Eng.		7435140	2
	RETAINER - Inlet manifold gasket	8 Cyl. Eng.		7435071	4
	SEAL - Inlet manifold front	8 Cyl. Eng.		7434979	1
	SEAL - Inlet manifold rear	8 Cyl. Eng.		7434980	1
	GASKET - Exhaust manifold	L34 Eng.		9937264	2
3.272	GASKET - Inlet to exhaust manifold				
	GASKET	4 Cyl. Eng.		<i>03456043</i> 850622	1
3.273	CLAMP — Manifold				
	CLAMP - Small	6 Cyl. Eng.		7420151	4
	CLAMP - Large	6 Cyl. Eng.		3789898	2
3.275	BOLT, STUD, NUT — Inlet and exhaust manifold				
	BOLT - Exhaust pipe to manifold	4 Cyl. Eng.		2000508	6
	WASHER - Exhaust pipe to manifold	4 Cyl. Eng.		2080305	3
	WASHER - Exhaust pipe to manifold	4 Cyl. Eng.		766275	3
	STUD - Inlet and exhaust manifold	6 Cyl. Eng.		7429476	4
	STUD - Manifold locating	6 Cyl. Eng.		3835487	2
	STUD - Exhaust pipe to manifold	6 Cyl. Eng.		7414906	2
	NUT - Exhaust pipe to manifold	6 Cyl. Eng.		3829086	2-4

Note: (²⁴ Prior to fuel evaporative emission control.
(²⁵ Use with fuel evaporative emission control.

HOLDEN "LH" PARTS CATALOGUE

GROUP	DESCRIPTION	MODEL	SIDE	PART No.	QTY.
3.275	BOLT, STUD, NUT — Inlet and exhaust manifold (contd.)				
	STUD - Exhaust pipe to manifold	8 Cyl. Eng.		7437291	4
	PLATE - Bolt locating	8 Cyl. Eng.		7437450	4
	WASHER - Exhaust manifold to cylinder head	8 Cyl. Eng.		3836710	12
	BOLT - Exhaust manifold to head. (Hex. soc. hd. cap 3/8" - 16 x 1")	L34 Eng.		SP2575	12
3.288	STUD, NUT — Carburettor to manifold				
	STUD	4 Cyl. Eng.		2056069	4
	NUT	4 Cyl. Eng.		2064231	4
	WASHER	4 Cyl. Eng.		2074152	4
	STUD	6 Cyl. Eng.		7429464	2
	STUD	8 Cyl. Eng.		SP1763	2-4
3.402	AIR CLEANER and SILENCER, TRANSFER				
	AIR CLEANER & SILENCER ASSY.	4 Cyl. Eng.		9940585	1
	TRANSFER - "1900"	4 Cyl. Eng.		9931213	1
	AIR CLEANER & SILENCER ASSY.	6 Cyl. Eng.		9935024	1
	AIR CLEANER & SILENCER ASSY. - Heavy duty ...	6 Cyl. Eng.		9934675	1
	TRANSFER - "Low Compression"	6 Cyl. Eng. Low Compression		9931262	1
	TRANSFER - "2250"	2250 Eng.		9931642	1
	TRANSFER - "2850"	2850 Eng.		9931641	1
	TRANSFER - "3300"	3300 Eng.		9931640	1
	TRANSFER - Heavy duty air cleaner	6 Cyl. Eng.		9935203	1
	AIR CLEANER & SILENCER ASSY.	4.2 Litre Eng. exc. Air Cond.		9931794	1
	AIR CLEANER & SILENCER ASSY.	4.2 Litre Eng. Air Cond.		9933638	1
	AIR CLEANER & SILENCER ASSY.	5 Litre Eng. exc. Air Cond., L34 Eng.		9931795	1
	AIR CLEANER & SILENCER ASSY.	5 Litre Eng. Air Cond.		9933637	1
	TRANSFER - 4.2 Litre	4.2 Litre Eng.		9931643	1
	TRANSFER - 5.0 Litre	5 Litre Eng.		9931644	1
	AIR CLEANER & SILENCER ASSY.	L34 Eng.		9936586	1
	AIR CLEANER & SILENCER ASSY.	L34 Eng.		(¹² 9937713)	1
3.403	ROD, CLAMP, BRIDGE, GASKET — Air cleaner				
	CLAMP	4 Cyl. Eng.		9931514	1
	ROD	4, 6 Cyl. Eng.		7419668	1
	CLAMP	6 Cyl. Eng.		7419667	1
	BRIDGE ASSY.	4.2 Litre Eng.		7437297	1
	GASKET - Air cleaner to carburettor	4.2 Litre Eng.		3708408	1
	GASKET - Air cleaner to carburettor	5 Litre Eng.		3919812	1
3.410	ELEMENT, CLIP, NUT, BREATHER — Air cleaner				
	ELEMENT	4, 6 Cyl. Eng.		7422739	1
	ELEMENT - Heavy duty cleaner	6 Cyl. Eng.		9934169	1
	NUT - Wing 1/4"	4, 6 Cyl. Eng.		SP1352	1
	BREATHER ASSY.	6 Cyl. Eng.		6484966	1
	RETAINER - Breather	6 Cyl. Eng.		6420265	1
	ELEMENT	8 Cyl. Eng.		7437298	1
	GASKET - Air cleaner	8 Cyl. Eng.		7437296	1
	STUD	5 Litre Eng.		2809100	1
	NUT - Wing 1/4"-20	8 Cyl. Eng.		SP1352	1
	STUD	L34 Eng.		(¹² 9938080)	1
	SLEEVE	L34 Eng.		(¹² 9938081)	1
	NUT	L34 Eng.		(¹² SP1352)	1
	WASHER - Spring	L34 Eng.		(¹² 120380)	1
	WASHER - Plain	L34 Eng.		(¹² SP2150)	1
	BREATHER ASSY.	8 Cyl. Eng.		6484966	1
	RETAINER - Breather	8 Cyl. Eng.		6420265	1

Note: (¹² Component of 9937365.

HOLDEN "LH" PARTS CATALOGUE

GROUP	DESCRIPTION	MODEL	SIDE	PART No.	QTY.
3.415	VALVE, DIAPHRAGM, DAMPER & VALVE — Air cleaner pre-heat				
	VALVE & SHIELD ASSY. - Thermal	4, 8 Cyl. Eng.		6484242	1
	FASTENER - Valve to air cleaner	8 Cyl. Eng.		6484435	1
	HOSE - Thermal valve vacuum	8 Cyl. Eng.		7437547	1
	HOSE - Thermal valve to vacuum source	8 Cyl. Eng.		7437623	1
	CLIP - Hose to air cleaner	8 Cyl. Eng.		SP1843	1
	DIAPHRAGM ASSY.	8 Cyl. Eng.		6484245	1
	RETAINER - Diaphragm	8 Cyl. Eng.		6424498	1
	PIN - Diaphragm assy. to air cleaner inlet	8 Cyl. Eng.		6424450	1
	DAMPER & VALVE ASSY.	8 Cyl. Eng.		6486638	1
3.417	STOVE, HOSE, TUBE — Air pre-heat				
	STOVE ASSY.	8 Cyl. Eng.		9930721	1
	HOSE - Stove to air cleaner	8 Cyl. Eng.		9928341	1
	TUBE - Air cleaner vacuum	5 Litre Eng.		2808035	1
3.430	COMPONENTS — Throttle control linkage				
	LEVER & PIVOT ASSY. - Accelerator pedal	4 Cyl. Eng.		9933378	1
	PIVOT - Accelerator pedal	4 Cyl. Eng.		9933319	1
	CABLE ASSY. - Throttle	4 Cyl. Eng.		9930680	1
	RETAINER - Cable assy.	4 Cyl. Eng.		9928398	1
	GROMMET - Cable insulator	4 Cyl. Eng.		9928399	1
	BRACKET - Cable retainer	4 Cyl. Eng.		9937238	1
	BOLT - Bracket to manifold 8 mm x 1.25 x 15 mm .	4 Cyl. Eng.		2018101	4
	BOLT - Bracket to manifold 6 mm x 1 x 12 mm	4 Cyl. Eng.		2000103	1
	BEARING - Bracket to shaft & lever	4 Cyl. Eng.		848625	1
	SHAFT & LEVER ASSY.	4 Cyl. Eng.		9937237	1
	WASHER - Lever anti-rattle	4 Cyl. Eng.		SP1328	1
	STUD - Cable to lever	4 Cyl. Eng.		3924414	1
	NUT - Stud to lever	4 Cyl. Eng.		9419143	1
	LEVER & PIVOT ASSY. - Accelerator pedal	6 Cyl. Eng.	RIGHT HAND DRIVE	9933378	1
			LEFT HAND DRIVE	9933377	1
	PIVOT - Accelerator pedal	6 Cyl. Eng.		9933319	1
	CABLE ASSY. - Throttle	6 Cyl. Eng.		9929774	1
	RETAINER - Cable assy.	6 Cyl. Eng.		9928398	1
	GROMMET - Cable insulator	6 Cyl. Eng.	NLA	9928399	1
	WASHER - Lever anti-rattle	6 Cyl. Eng.		SP1328	1
	LEVER & PIVOT ASSY. - Accelerator pedal	8 Cyl. Eng.	RIGHT HAND DRIVE	9933483	1
			LEFT HAND DRIVE	9933482	1
	PIVOT - Accelerator pedal	8 Cyl. Eng.		9933319	1
	CABLE ASSY. - Throttle	8 Cyl. Eng.		9928918	1
	RETAINER - Cable assy.	8 Cyl. Eng.		9928398	1
	GROMMET - Cable insulator	8 Cyl. Eng.	NLA	9928399	1
	STRAP - Cable to radiator hose	8 Cyl. Eng.		(²⁴ 7436769	1
	STRAP - Cable to radiator hose	8 Cyl. Eng.		(²⁶ SP2583	1
	BRACKET - Cable retaining	4.2 Litre Eng.		9928659	1
	BRACKET - Cable retaining	5 Litre Eng.		9929238	1
	LEVER - Accelerator control	8 Cyl. Eng.	LEFT HAND DRIVE	9930974	1
	LEVER - Carburettor	5 Litre Eng.		9929281	1
	NUT - Lever to carburettor	5 Litre Eng.		9419143	1
	WASHER - Lever anti-rattle	8 Cyl. Eng.		SP1328	1
	STUD - Cable to lever	8 Cyl. Eng.		3924414	1
	NUT - Stud to lever	8 Cyl. Eng.		9419143	1
	BRACKET - Cable retainer	L34 Eng.		(²² 9937705	1
	ADAPTOR - Carburettor lever.	L34 Eng.		(²² 9937704	1
	SCREW - Adaptor to carburettor lever	L34 Eng.		(²² 120687	1
	WASHER - Spring	L34 Eng.		(²² 120217	1
	NUT - Adaptor to carburettor lever	L34 Eng.		(²² 120361	1

Note: (²⁴ Prior to fuel evaporative emission control.
(²⁵ Use with fuel evaporative emission control.
(²² Component of 9937365, M37610.

HOLDEN "LH" PARTS CATALOGUE

GROUP	DESCRIPTION	MODEL	SIDE	PART No.	QTY.
3.451	PEDAL — Accelerator				
	PEDAL	ALL		2815916	1
	PIN - Pedal to lever	ALL		2814047	1
3.459	SPRING — Accelerator				
	SPRING - Pedal tension	ALL		3909982	1
	SPRING - Return	4 Cyl. Eng.		9931660	1
	SPRING - Return	4.2 Litre Eng.		9933951	1
	SPRING - Return	5 Litre Eng.		9933839	1
	BRACKET - Return spring	4.2 Litre Eng.		9928658	1
	BRACKET - Return spring	5 Litre Eng.		9929239	1
3.521	CONTROL — Choke				
	CONTROL ASSY.	6 Cyl. Eng.	RIGHT HAND DRIVE	2829796	1
			LEFT HAND DRIVE	2829798	1
	GROMMET - Choke control to dash panel	6 Cyl. Eng.		SP2500	1
	CONTROL ASSY.	L34 Eng.		9936419	1
	BRACKET ASSY. - Choke control retaining	L34 Eng.		9935041	1
	ROD ASSY. - Choke actuating	L34 Eng.		9936435	1
	CONTROL ASSY.	L34 Eng.		(*) 2829798	1
3.601	MANIFOLD — Exhaust				
	MANIFOLD ASSY.	4 Cyl. Eng.		850317	1
	BRACKET - Manifold	4 Cyl. Eng.		850866	1
	SCREW - Bracket	4 Cyl. Eng.		2002150	1
	MANIFOLD ASSY.	6 Cyl. Eng.		7429514	1
	MANIFOLD ASSY.	8 Cyl. exc. L34 Eng.	LH	9936444	1
			RH	7436026	1
	MANIFOLD ASSY.	L34 Eng.	LH	9937149	1
			RH	9937150	1
3.603	TUBE — Exhaust manifold choke rear				
	TUBE	8 Cyl. Eng.		3814026	1
3.609	PIPE — Exhaust				
	PIPE ASSY.	4 Cyl. Eng.		9933598	1
	SCREW - Pipe to manifold	4 Cyl. Eng.		2000215	6
	PIPE ASSY.	6 Cyl. Eng.		2824347	1
	PIPE ASSY.	4.2 Litre Eng. Single Exhaust	LH	9931801	1
			RH	9931802	1
	PIPE ASSY.	8 Cyl. Dual Exhaust exc. L34 Eng.	LH	9930270	1
			RH	9930216	1
	PIPE ASSY.	L34 Eng.	LH	9937157	1
	COLLECTOR ASSY.	L34 Eng.	LH	9937151	1
	PIPE & COLLECTOR ASSY.	L34 Eng.	RH	9937152	1
3.610	FLANGE — Exhaust pipe packing				
	FLANGE	6 Cyl. Eng.		7429539	1
	FLANGE	8 Cyl. Eng.		7437199	1
3.611	PACKING, GASKET — Exhaust pipe				
	PACKING	4 Cyl. Eng.		854888	1
	PACKING	6 Cyl. Eng.		7429532	1
	GASKET - Manifold to collector	L34 Eng.	LH	9937155	1
			RH	9937240	1
3.616	CLAMP, BOLT — Exhaust pipe				
	CLAMP - Pipe to muffler	4 Cyl. Eng.		2811858	1
	BOLT - Pipe to muffler	4 Cyl. Eng.		2811859	1
	CLAMP & BOLT PACKAGE	4 Cyl. Eng.		2818406	1
	CLAMP - Pipe to muffler	6 Cyl. Eng.		9932576	1
	Note: (*) Component of 9937365, M37610.				

HOLDEN "LH" PARTS CATALOGUE

GROUP	DESCRIPTION	MODEL	SIDE	PART No.	QTY.
3.616	CLAMP, BOLT — Exhaust pipe (contd.)				
	BOLT - Pipe to muffler	6 Cyl. Eng.		9932574	1
	CLAMP & BOLT PACKAGE	6 Cyl. Eng.		9933149	1
	CLAMP - Pipe to muffler	4.2 Litre Eng. Single Exhaust		9932576	1
	BOLT - Pipe to muffler	4.2 Litre Eng. Single Exhaust		9932574	1
	CLAMP & BOLT PACKAGE	4.2 Litre Eng. Single Exhaust		9933149	1
	CLAMP - RH to LH pipe	4.2 Litre Eng. Single Exhaust		7405970	1
	BOLT - RH to LH pipe	4.2 Litre Eng. Single Exhaust		7405971	1
	CLAMP & BOLT PACKAGE	4.2 Litre Eng. Single Exhaust		9933150	1
	CLAMP - Pipe to muffler	8 Cyl. Eng. Dual Exhaust		7433738	2
	BOLT - Pipe to muffler	8 Cyl. Eng. Dual Exhaust		7433737	2
	CLAMP & BOLT PACKAGE	8 Cyl. Eng. Dual Exhaust		7436220	2
	CLAMP - Balance pipe	8 Cyl. Eng. Dual Exhaust		7431992	1
	BOLT - Balance pipe	8 Cyl. Eng. Dual Exhaust		7431993	1
	CLAMP & BOLT PACKAGE	8 Cyl. Eng. Dual Exhaust		7436222	1
3.701	MUFFLER				
	MUFFLER ASSY.	4 Cyl. Eng.		9930179	1
	MUFFLER ASSY.	6 Cyl. Eng.		2820899	1
	MUFFLER ASSY.	4.2 Litre Eng. Single Exhaust		2820899	1
	MUFFLER ASSY.	8 Cyl. Eng. Dual Exhaust		2825998	2
3.704	BRACKET, INSULATOR, SUPPORT — Muffler				
	BRACKET & HOOK ASSY. - Support	4 Cyl. Eng.		9936887	4
	HOOK & PLATE ASSY. - Muffler	4 Cyl. Eng.		9936890	1
	RING - Muffler support	4 Cyl. Eng.		9936891	2
	BRACKET & SUPPORT ASSY. - Upper	6 Cyl. Eng.		9930049	1
	BRACKET & SUPPORT ASSY. - Upper	4.2 Litre Eng. Single Exhaust		9930049	1
	BRACKET & SUPPORT ASSY. - Upper	8 Cyl. Eng. Dual Exhaust	LH	9930049	1
			RH	9930050	1
	BRACKET - Support upper	6, 8 Cyl. Eng.		2819589	1-2
	INSULATOR - Support	6, 8 Cyl. Eng.		2819591	1-2
	SUPPORT	6 Cyl. Eng.		2819590	1
	SUPPORT	4.2 Litre Eng. Single Exhaust		2819590	1
	SUPPORT	8 Cyl. Eng. Dual Exhaust	LH	2825999	1
			RH	2826000	1
3.705	PIPE — Muffler tail				
	PIPE	4 Cyl. Eng.		9930181	1
	PIPE	6 Cyl. Eng.		2824348	1
	PIPE	4.2 Litre Eng. Single Exhaust		2824348	1
	PIPE	8 Cyl. Eng. Dual Exhaust	LH	2825997	1
			RH	2825996	1
3.705	EXTENSION — Exhaust				
	EXTENSION	4 Cyl. Eng.		M37465	1
	EXTENSION	6, 8 Cyl. Eng.		M37464	1-2
3.706	CLAMP, "U" BOLT — Muffler to tail pipe				
	CLAMP	4 Cyl. Eng.		7431992	1
	BOLT	4 Cyl. Eng.		7431993	1
	CLAMP & BOLT PACKAGE	4 Cyl. Eng.		7436222	1
	CLAMP	6 Cyl. Eng.		2811858	1
	BOLT	6 Cyl. Eng.		2811859	1
	CLAMP & BOLT PACKAGE	6 Cyl. Eng.		2818406	1
	CLAMP	4.2 Litre Eng. Single Exhaust		2811858	1
	BOLT	4.2 Litre Eng. Single Exhaust		2811859	1
	CLAMP & BOLT PACKAGE	4.2 Litre Eng. Single Exhaust		2818406	1
	CLAMP	8 Cyl. Eng. Dual Exhaust		2811858	2
	"U" BOLT	8 Cyl. Eng. Dual Exhaust		2811859	2
	CLAMP & "U" BOLT PACKAGE	8 Cyl. Eng. Dual Exhaust		2818406	2

HOLDEN "LH" PARTS CATALOGUE

GROUP	DESCRIPTION	MODEL	SIDE	PART No.	QTY.
3.710	BRACKET, INSULATOR, REINFORCEMENT, CLAMP — Tail pipe support				
	BRACKET & INSULATOR ASSY.	ALL		2825925	1-2
	REINFORCEMENT - Insulator	ALL		9929266	1-2
	CLAMP	4 Cyl. Eng.		9930203	1
	CLAMP	6, 8 Cyl. Eng.		2815574	1-2
3.720	HOSE, PIPE, BAFFLE, INSULATOR — Automatic choke heat				
	HOSE - Inlet	8 Cyl. Eng.		2813033	1
	PIPE - Air inlet	8 Cyl. Eng.		2808136	1
	CLIP - Air inlet pipe to rocker cover	8 Cyl. Eng.		2825954	1
	BAFFLE - Choke heat tube	8 Cyl. Eng.		2805461	1
	PIPE - Air heat	4.2 Litre Eng.		2811625	1
	PIPE - Air heat	5 Litre Eng.		2811626	1
	INSULATOR - Air heat pipe	8 Cyl. Eng.		2811627	1
	CLIP - Pipe	8 Cyl. Eng.		2805402	2
3.724	GASKET KIT — Carburettor				
	Note: Refer Carburettor Charts for Gasket Kits.				
3.725	CARBURETTOR				
	CARBURETTOR ASSY.	(M) 4 Cyl. Eng.		826046	1
	CARBURETTOR ASSY.	(A) 4 Cyl. Eng.	<i>Q344 152/</i>	826047	1
	CARBURETTOR ASSY.	(M) 2250 Eng.	<i>N.L.A.</i>	9932495	1
	CARBURETTOR ASSY.	(A) 2250 Eng.	<i>N.L.A.</i>	9932494	1
	CARBURETTOR ASSY. (Bendix)	(M) 2850 Eng.		^(*) 9930585	1
	CARBURETTOR ASSY. (Bendix)	(M) 2850 Eng.	<i>N.L.A.</i>	(*) 9930587	1
	CARBURETTOR ASSY. (Bendix)	(A) 2850 Eng.	<i>9930585</i>	(*) 9930586	1
	CARBURETTOR ASSY. (Bendix)	(A) 2850 Eng.	<i>N.L.A.</i>	(*) 9930582	1
	CARBURETTOR ASSY. (Bendix)	(M) 3300 Eng.		^(*) 9930587	1
	CARBURETTOR ASSY. (Bendix)	(M) 3300 Eng.	<i>N.L.A.</i>	(*) 9930589	1
	CARBURETTOR ASSY. (Bendix)	(A) 3300 Eng.		^(*) 9930588	1
	CARBURETTOR ASSY. (Bendix)	(A) 3300 Eng.	<i>N.L.A.</i>	(*) 9930594	1
	CARBURETTOR ASSY. (Bendix)	(M) 4.2 Litre Eng.		^(*) 9931463	1
	CARBURETTOR ASSY. (Bendix)	(M) 4.2 Litre Eng.	<i>N.L.A.</i>	(*) 9936836	1
	CARBURETTOR ASSY. (Email)	(M) 4.2 Litre Eng.		9936841	1
	CARBURETTOR ASSY. (Bendix)	(A) 4.2 Litre Eng.		^(*) 9931464	1
	CARBURETTOR ASSY. (Bendix)	(A) 4.2 Litre Eng.	<i>N.L.A.</i>	(*) 9936836	1
	CARBURETTOR ASSY. (Email)	(A) 4.2 Litre Eng.		9936842	1
	CARBURETTOR ASSY. (Rochester)	(M) 5 Litre Eng.		^(*) 17050641	1
	CARBURETTOR ASSY. (Rochester)	(A) 5 Litre Eng.		^(*) 17050642	1
	CARBURETTOR ASSY. (Rochester)	5 Litre Eng.		^(*) 17052795	1
	CARBURETTOR ASSY. (Holley)	L34 Eng.		^(*) 9937629	1
	SHIELD - Carburettor to manifold	4 Cyl. Eng.		850991	1

Note: (*) Prior to fuel evaporative emission control.
 (**) Use with fuel evaporative emission control.
 (***) Component of 9937365.

HOLDEN "LH" PARTS CATALOGUE

4 CYLINDER CARBURETTOR COMPONENTS (SOLEX)

GROUP	DESCRIPTION CARBURETTOR ASSEMBLY	QTY	PART NUMBERS	
			826046	826047
3.724	GASKET KIT <i>03469523</i>	1	(1608187)	(1608187)
3.725	REPAIR KIT	1	1608210	1608210
3.726	GASKET-Flange <i>08960912</i>	1	828445	828445
3.727	BODY ASSY.-Throttle	1	825249	825249
3.731	LEVER-Throttle	1	826624	826624
3.731	SPRING-Throttle lever	1	831141	831141
3.731	WASHER-Throttle shaft inner	1	826839	826839
3.731	WASHER-Throttle shaft intermediate	1	826843	826843
3.731	WASHER-Throttle shaft outer	1	826832	826832
3.731	WASHER-Spring	1	826845	826845
3.731	NUT-Ball	1	826963	826963
3.731	LEVER ASSY.-Transfer	1	831682	831682
3.731	NUT-Transfer lever	1	826961	826961
3.731	WASHER-Transfer lever safety	1	826841	826841
3.731	STUD-Secondary throttle shaft adjusting	1	826725	826725
3.731	NUT-Secondary throttle shaft adjusting	1	826964	826964
3.734	SCREW-Slow idle adjusting	1	826741	826741
3.734	SPRING-Secondary	1	826777	826777
3.741	SCREW-Idle mixture regulating	1	826768	826768
3.741	RING-Idle screw seal	1	2091505	2091505
3.741	SCREW-Air circulation regulation	1	828688	828688
3.741	SPRING-Air circulation screw	1	828774	828774
3.748	BODY ASSY.-Main	1	828116	828117
3.748	SCREW-Main body to throttle body	2	826986	826986
3.749	GASKET-Main body <i>03441404</i>	1	828441	828441
3.752	JET-Pass-over (60)	1	828627	828627
3.752	JET-Pass-over air (100)	1	828628	828628
3.752	JET-Idle (52.5)	1	828637	
3.752	JET-Idle (50)	1		828629
3.752	JET-Air correction, primary (150)	1	828575	828575
3.752	JET-Air correction secondary (110)	1	828576	828576
3.754	JET-Main, primary (122.5)	1	828504	828504
3.754	JET-Main, secondary (157.5)	1	828487	828487
3.757	TUBE-Injection	1	828758	828759
3.757	SEAL RING-Injection tube	1	828795	828795
3.757	JET-Enrichment	1	828556	828540
3.757	VALVE-Enrichment	1	830640	830640
3.763	COVER-Float chamber	1	829613	829613

HOLDEN "LH" PARTS CATALOGUE

4 CYLINDER CARBURETTOR COMPONENTS (SOLEX) (Continued)

GROUP	DESCRIPTION CARBURETTOR ASSEMBLY	QTY	PART NUMBERS	
			826046	826047
3.763	SCREW-Cover 0344 1972	4	830958	830958
3.763	SCREW-Cover 0344 1959	1	830959	830959
3.763	SCREW-Cover 0344 1989	1	204810T	204810T
3.763	WASHER-Spring 1102 9901	4	2082101	2082101
3.763	WASHER-Lock 1101 3222	1	2074075	2074075
3.764	ROD-Float chamber ventilation valve 0344 1869	1	830181	830181
3.764	SPRING-Upper N.L.A.	1	830852	830852
3.764	SPRING-Lower 0344 1399	1	830853	830853
3.764	WASHER-Upper N.L.A.	1	830975	830975
3.764	WASHER-Lower N.L.A.	1	830974	830974
3.764	WASHER-Safety 1105 3001	1	2080725	2080725
3.765	GASKET-Float chamber cover 0344 1405	1	830831	830831
3.766	VALVE-Hot idle compensator 1	1	826480	826480
3.766	GASKET-Hot idle compensator valve 1	1	826852	826852
3.766	SCREW-Hot idle compensator valve 1	1	2048903	2048903
3.766	VACUUM HOUSING ASSY. 1	1	831716	831716
3.766	SCREW-Housing attaching 2	2	2048925	2048925
3.766	SEAL-Housing 1	1	831556	831556
3.766	SPRING-Diaphragm rod 1	1	830441	830441
3.766	WASHER 2	2	826835	826835
3.766	WASHER-Safety 1	1	2080725	2080725
3.767	PIN-Filler main body 1	1	830671	830671
3.767	SCREW-Filler pin 1	1	830951	830951
3.767	PLUG-Main body 1	1	830136	830136
3.767	SEAL-Main body plug 1	1	830258	830258
3.771	VALVE ASSY.-Float needle 1	1	830810	830810
3.772	GASKET-Float valve seat 1	1	830825	830825
3.773	FLOAT ASSY. 1	1	830732	830732
3.775	PIN-Float fulcrum 1	1	830777	830777
3.775	SPRING-Pin 1	1	830850	830850
3.776	DIAPHRAGM-Pump 1	1	830362	830362
3.779	SPRING-Diaphragm pump 1	1	830434	830434
3.782	COVER ASSY.-Pump 1	1	830488	830488
3.782	SCREW-Cover to body 4	4	2048903	2048903
3.782	ROD-Pump connecting 1	1	830284	830284
3.782	RING-Clamping 2	2	2092300	2092300
3.786	VENTURI-Secondary 2	2	832608	832608
3.786	SCREW-Venturi retaining 2	2	832800	832800

HOLDEN "LH" PARTS CATALOGUE

4 CYLINDER CARBURETTOR COMPONENTS (SOLEX) (Continued)

GROUP	DESCRIPTION	QTY	PART NUMBERS	
			826046	826047
	CARBURETTOR ASSEMBLY			
3.786	SCREW-Venturi retaining	2	832801	832801
3.786	NUT-Retaining screw	2	832852	832852
3.796	COVER-Thermostat	1	831366	831366
3.796	GASKET-Thermostat cover	1	831550	831550
3.796	RING-Cover retaining	1	831400	831400
3.796	SCREW-Cover attaching	3	2046056	2046056
3.798	ROD-Choke	1	832342	832342
3.798	RING-Clamping	2	2092900	2092900
3.798	WASHER-Spring	1	826845	826845
3.798	NUT-Rod	2	831950	831950

HOLDEN "LH" PARTS CATALOGUE

6 CYLINDER CARBURETTOR COMPONENTS (BENDIX)

GROUP	DESCRIPTION CARBURETTOR ASSEMBLY	QTY	PART NUMBERS				
			9932495	9932494	9930585	9936831	9930586
3.724	GASKET KIT	1	7424535	7424535	VS12468	VS12468	VS12468
3.725	REPAIR KIT-Major overhaul	1	VS12062	VS12062	VS12466	VS12982	VS12466
3.725	REPAIR KIT-Minor overhaul	1	7424575	7424575	VS12467	VS12983	VS12467
3.726	GASKET-Flange	1	9930562	9930562	9930562	9930562	9930562
3.727	BODY ASSY.-Carburettor throttle	1	VS12076	VS12069	VS12487	VS12994	VS12487
3.729	VALVE-Carburettor throttle	1	7405173	7405173	VS12490	VS12490	VS12490
3.729	SCREW-Valve attaching	2	7405165	7405165	7405165	7405165	7405165
3.731	LEVER-Throttle	1	VS12539	VS12539	VS12539	VS12539	VS12539
3.731	SHAFT-Throttle	1	VS12488	VS12488	VS12488	VS12488	VS12488
3.731	NUT-Throttle shaft	1	7424617	7424617	7424617	7424617	7424617
3.731	WASHER-Throttle lever	1	7424618	7424618	7424618	7424618	7424618
3.731	SPRING-Lever return	1	2825271	2825271	2825271	2825271	2825271
3.731	BRACKET-Throttle cable support	1	VS12541	VS12541	VS12541	VS12541	VS12541
3.731	SCREW-Bracket attaching	2	VS12542	VS12542	VS12542	VS12542	VS125-2
3.734	SCREW-Slow idle adjusting	1	VS12491	VS12491	VS12491	VS12491	VS12491
3.734	SPRING-Slow idle adjusting screw	1	VS11815	VS11815	VS11815	VS11815	VS11815
3.735	CAM-Fast idle	1	VS11814	VS11814	VS11814	VS11814	VS11814
3.735	LEVER-Fast idle cam	1	VS11813	VS11813	VS11813	VS11813	VS11813
3.736	PIN-Fast idle cam	1	VS11812	VS11812	VS11812	VS11812	VS11812
3.736	PIN-Cotter, 1/16"-3/16"	1	7405140	7405140	7405140	7405140	7405140
3.741	VALVE-Idle needle	1	7405174	7405174	VS12489	VS12489	VS12489
3.742	SPRING-Idle needle valve	1	7405171	7405171			
3.748	BODY ASSY.-Main	1	VS12543	VS12543	VS12537	VS12537	VS12537
3.748	SCREW & LOCK WASHER ASSY.	2	7405163	7405163			
3.748	SPACER-Insulating	1	7405168	7405168	VS12477	VS12477	VS12477
3.748	SCREW	2			VS11321	VS11321	VS11321
3.748	WASHER-Lock	2			VS11322	VS11322	VS11322
3.749	GASKET-Main body	1	7405143	7405143	VS12475	VS12475	VS12475
3.749	GASKET-Throttle body	1	7405143	7405143	VS12476	VS12476	VS12476
3.751	BLEEDER-High speed	1	7405109	7405109	7405109	7405109	7405109
3.752	TUBE-Idle	1	VS12070	VS12070	VS12642	VS12642	VS12642
3.753	ROD-Volume restrictor	1	7420258	7420258	VS12540	VS12540	VS12540
3.754	JET-Main metering	1	VS11307	VS11307	VS12473	VS12473	VS12473
3.754	JET-Main metering (High altitude 4,000-8,000 ft)	1	VS11648	VS11648			
3.754	JET-Main metering (High altitude 8,000-12,000 ft)	1	VS11649	VS11649			
3.754	JET-Main discharge	1	7400370	7400370	VS12472	VS12472	VS12472
3.755	PLUG-Main metering jet	1	VS10432	VS10432	VS10432	VS10432	VS10432

HOLDEN "LH" PARTS CATALOGUE

6 CYLINDER CARBURETTOR COMPONENTS (BENDIX) (Continued)

GROUP	DESCRIPTION	QTY	PART NUMBERS				
			9932495	9932494	9930585	9936831	9930586
	CARBURETTOR ASSEMBLY						
3.756	GASKET-Main metering jet plug	1	7405144	7405144	7405144	7405144	7405144
3.757	JET-Pump by-pass	1	7405131	7405131	7405131	7405131	7405131
3.757	JET-Power by-pass	1	7420490	7420490	VS12641	VS12641	VS12641
3.757	GASKET-Pump by-pass	1	7405146	7405146	7405146	7405146	7405146
3.757	GASKET-Power by-pass	1	7405146	7405146	7405146	7405156	7405146
3.763	AIR HORN ASSY.	1	VS11803	VS11803	VS11803	VS12984	VS11803
3.763	BAR-Air horn reinforcing	1	7420240	7420240	7420240	7420240	7420240
3.763	SCREW & LOCK WASHER-Air horn attaching, 1/2" long	2	7405167	7405167	7405167	7405167	7405167
3.763	SCREW & LOCK WASHER-Air horn attaching, 5/8" long	3	7405166	7405166	7405166	7405166	7405166
3.763	TUBE-Vent	1	7424550	7424550	7424550	7424550	7424550
3.764	VALVE ASSY.-Idle vent	1	VS11801	VS11801	VS11801		VS11801
3.764	STEM-Idle vent	1	VS11802	VS11802	VS11802		VS11802
3.764	SPRING-Idle vent stem	1	7420244	7420244	7420244		7420244
3.765	GASKET-Air horn	1	7405148	7405148	VS12470	VS12470	VS12470
3.767	PLUG-Main & throttle body	1	7405158	7405158	7405158	7405158	7405158
3.767	PLUG-Lead ball	6	7405107	7405107	7405107		7405107
3.767	PLUG-Lead ball	4				7405107	
3.767	PLUG-Main body (long)	1			VS12505	VS12505	VS12505
3.767	PLUG-Main body (short)	1			VS12506	VS12506	VS12506
3.771	VALVE & SEAT ASSY.-Float needle	1	7406701	7406701	7406701	7406701	7406701
3.771	VALVE & SEAT ASSY.-Float needle (Heavy duty)	1	7420335	7420335	7420335	7420335	7420335
3.772	GASKET-Float needle valve seat	1	7405147	7405147	7405147	7405147	7405147
3.773	FLOAT & LEVER ASSY.	1	7405112	7405112	7405112	7405112	7405112
3.775	PIN-Float fulcrum	1	7405156	7405156	7405156	7405156	7405156
3.775	SPRING-Float fulcrum pin	1	7405170	7405170	7405170	7405170	7405170
3.778	PISTON & STEM ASSY.-Pump	1	7405133	7405133	7405133	VS12985	7405133
3.778	PIN-Cotter	1	7405141	7405141	7405141	7405141	7405141
3.779	SPRING-Pump stem	1	7424555	7424555	7424555	7424555	7424555
3.780	LEVER-Pump	1	7424551	7424551	7424551	7424551	7424551
3.781	NUT-Pump lever attaching	1	7424617	7424617	7424617	7424617	7424617
3.781	WASHER-Pump lever	1	7424618	7424618	7424618	7424618	7424618
3.782	ROD-Pump	1	7405160	7405160	7405160	7405160	7405160
3.783	LINK-Pump	1	7405153	7405153	7405153	7405153	7405153
3.783	CLIP-Pump link	1	7405138	7405138	7405138	7405138	7405138
3.783	REPAIR KIT	1	7427343	7427343	7427343	7427343	7427343

HOLDEN "LH" PARTS CATALOGUE

6 CYLINDER CARBURETTOR COMPONENTS (BENDIX) (Continued)

GROUP	DESCRIPTION CARBURETTOR ASSEMBLY	QTY	PART NUMBERS				
			9932495	9932494	9930585	9936831	9930586
3.784	VALVE-Pump check	1	7405136	7405136	7405136	7405136	7405136
3.784	PLUG-Pump check valve	1	7405159	7405159	7405159	7405159	7405159
3.784	GASKET-Pump check plug	1	7405145	7405145	7405145	7405145	7405145
3.787	SCREEN-Pump strainer	1	7405162	7405162	7405162	7405162	7405162
3.787	CLIP-Pump screen	1	7405139	7405139	7405139	7405139	7405139
3.788	PISTON ASSY.-Vacuum power	1	VS11818	VS11818	VS11818	VS11818	VS11818
3.789	VALVE ASSY.-Choke	1	VS11799	VS11799	VS11799	VS11799	VS11799
3.789	SCREW-Valve attaching	2	7405118	7405118	7405118	7405118	7405118
3.791	SHAFT ASSY.-Choke	1	VS12061	VS12061	VS12061	VS12061	VS12061
3.791	SPRING-Choke lever	1	7405125	7405125	7405125	7405125	7405125
3.791	LEVER ASSY.-Choke	1	7405122	7405122	7405122	7405122	7405122
3.791	SCREW-Wire clamp	1	7405124	7405124	7405124	7405124	7405124
3.791	SPRING-Choke shaft anti-buzz	1				9937383	
3.792	LEVER-Fast idle	1	VS11800	VS11800	VS11800	VS11800	VS11800
3.792	NUT-Lever attaching	1	7405120	7405120	7405120	7405120	7405120
3.792	WASHER-Lever attaching nut	1	7405121	7405121	7405121	7405121	7405121
3.793	ROD-Fast idle	1	VS11795	VS11795	VS11795	VS11795	VS11795
3.795	BRACKET-Choke cable	1	VS12121	VS12121	VS12121	VS12121	VS12121
3.795	CLAMP-Choke cable	1	VS11797	VS11797	VS11797	VS11797	VS11797
3.795	SCREW & WASHER ASSY.-Clamp	1	7405166	7405166	7405166	7405166	7405166
3.795	SCREW & WASHER ASSY.-Bracket attaching	1	7405167	7405167	7405167	7405167	7405167

HOLDEN "LH" PARTS CATALOGUE

6 CYLINDER CARBURETTOR COMPONENTS (BENDIX) (Continued)

GROUP	DESCRIPTION CARBURETTOR ASSEMBLY	QTY	PART NUMBERS				
			9936832	9930587	9936833	9930588	9936834
3.724	GASKET KIT	1	VS12468	VS12468	VS12468	VS12468	VS12468
3.725	REPAIR KIT-Major overhaul	1	VS12982	VS12466	VS12982	VS12466	VS12982
3.725	REPAIR KIT-Minor overhaul	1	VS12983	VS12467	VS12983	VS12467	VS12983
3.726	GASKET-Flange	1	9930562	9930562	9930562	9930562	9930562
3.727	BODY ASSY.-Carburettor throttle	1	VS12995	VS12487	VS12994	VS12487	VS12995
3.729	VALVE-Carburettor throttle	1	VS12490	VS12490	VS12490	VS12490	VS12490
3.729	SCREW-Valve attaching	2	7405165	7405165	7405165	7405165	7405165
3.731	LEVER-Throttle	1	VS12539	VS12539	VS12539	VS12539	VS12539
3.731	SHAFT-Throttle	1	VS12488	VS12488	VS12488	VS12488	VS12488
3.731	NUT-Throttle shaft	1	7424617	7424617	7424617	7424617	7424617
3.731	WASHER-Throttle lever	1	7424618	7424618	7424618	7424618	7424618
3.731	SPRING-Lever return	1	2825271	2825271	2825271	2825271	2825271
3.731	BRACKET-Throttle cable support	1	VS12541	VS12541	VS12541	VS12541	VS12541
3.731	SCREW-Bracket attaching	2	VS12542	VS12542	VS12542	VS12542	VS12542
3.734	SCREW-Slow idle adjusting	1	VS12491	VS12491	VS12491	VS12491	VS12491
3.734	SPRING-Slow idle adjusting screw	1	VS11815	VS11815	VS11815	VS11815	VS11815
3.735	CAM-Fast idle	1	VS11814	VS11814	VS11814	VS11814	VS11814
3.735	LEVER-Fast idle cam	1	VS11813	VS11813	VS11813	VS11813	VS11813
3.736	PIN-Fast idle cam	1	VS11812	VS11812	VS11812	VS11812	VS11812
3.736	PIN-Cotter, $\frac{1}{16}$ " - $\frac{3}{16}$ "	1	7405140	7405140	7405140	7405140	7405140
3.741	VALVE-Idle needle	1	VS12489	VS12489	VS12489	VS12489	VS12489
3.748	BODY ASSY.-Main	1	VS12537	VS12537	VS12537	VS12537	VS12537
3.748	SPACER-Insulating	1	VS12477	VS12477	VS12477	VS12477	VS12477
3.748	SCREW	2	VS11321	VS11321	VS11321	VS11321	VS11321
3.748	WASHER-Lock	2	VS11322	VS11322	VS11322	VS11322	VS11322
3.749	GASKET-Main body	1	VS12475	VS12475	VS12475	VS12475	VS12475
3.749	GASKET-Throttle body	1	VS12476	VS12476	VS12476	VS12476	VS12476
3.751	BLEEDER-High speed	1	7405109	7405109	7405109	7405109	7405109
3.752	TUBE-Idle	1	VS12642	VS12642	VS12642	VS12642	VS12642
3.753	ROD-Volume restrictor	1	VS12540	VS12540	VS12540	VS12540	VS12540
3.754	JET-Main metering	1	VS12473	VS12473	VS12473	VS12473	VS12473
3.754	JET-Main discharge	1	VS12472	VS12472	VS12472	VS12472	VS12472
3.755	PLUG-Main metering jet	1	VS10432	VS10432	VS10432	VS10432	VS10432
3.756	GASKET-Main metering jet plug	1	7405144	7405144	7405144	7405144	7405144
3.757	JET-Pump by-pass	1	7405131	7405131	7405131	7405131	7405131
3.757	JET-Power by-pass	1	VS12641	VS12641	VS12641	VS12641	VS12641
3.757	GASKET-Pump by-pass	1	7405146	7405146	7405146	7405146	7405146
3.757	GASKET-Power by-pass	1	7405146	7405146	7405146	7405146	7405146

HOLDEN "LH" PARTS CATALOGUE

6 CYLINDER CARBURETTOR COMPONENTS (BENDIX) (Continued)

GROUP	DESCRIPTION	QTY	PART NUMBERS				
			9936832	9930587	9936833	9930588	9936834
	CARBURETTOR ASSEMBLY						
3.763	AIR HORN ASSY.	1	VS12984	VS11803	VS12984	VS11803	VS12984
3.763	BAR-Air horn reinforcing	1	7420240	7420240	7420240	7420240	7420240
3.763	SCREW & LOCK WASHER-Air horn attaching, 1/2" long	2	7405167	7405167	7405167	7405167	7405167
3.763	SCREW & LOCK WASHER-Air horn attaching, 5/8" long	3	7405166	7405166	7405166	7405166	7405166
3.763	TUBE-Vent	1	7424550	7424550	7424550	7424550	7424550
3.764	VALVE ASSY.-Idle vent	1		VS11801		VS11801	
3.764	STEM-Idle vent	1		VS11802		VS11802	
3.764	SPRING-Idle vent stem	1		7420244		7420244	
3.765	GASKET-Air horn	1	VS12470	VS12470	VS12470	VS12470	VS12470
3.767	PLUG-Main & throttle body	1	7405158	7405158	7405158	7405158	7405158
3.767	PLUG-Lead ball	6		7405107		7405107	
3.767	PLUG-Lead ball	4	7405107		7405107		7405107
3.767	PLUG-Main body (long)	1	VS12505	VS12505	VS12505	VS12505	VS12505
3.767	PLUG-Main body (short)	1	VS12506	VS12506	VS12506	VS12506	VS12506
3.771	VALVE & SEAT ASSY.-Float needle	1	7406701	7406701	7406701	7406701	7406701
3.771	VALVE & SEAT ASSY.-Float needle (Heavy duty)	1	7420335	7420335	7420335	7420335	7420335
3.772	GASKET-Float needle valve seat	1	7405147	7405147	7405147	7405147	7405147
3.773	FLOAT & LEVER ASSY.	1	7405112	7405112	7405112	7405112	7405112
3.775	PIN-Float fulcrum	1	7405156	7405156	7405156	7405156	7405156
3.775	SPRING-Float fulcrum pin	1	7405170	7405170	7405170	7405170	7405170
3.778	PISTON & STEM ASSY.-Pump	1	VS12985	7405133	VS12985	7405133	VS12985
3.778	PIN-Cotter	1	7405141	7405141	7405141	7405141	7405141
3.779	SPRING-Pump stem	1	7424555	7424555	7424555	7424555	7424555
3.780	LEVER-Pump	1	7424551	7424551	7424551	7424551	7424551
3.781	NUT-Pump lever attaching	1	7424617	7424617	7424617	7424617	7424617
3.781	WASHER-Pump lever	1	7424618	7424618	7424618	7424618	7424618
3.782	ROD-Pump	1	7405160	7405160	7405160	7405160	7405160
3.783	LINK-Pump	1	7405153	7405153	7405153	7405153	7405153
3.783	CLIP-Pump link	1	7405138	7405138	7405138	7405138	7405138
3.783	REPAIR KIT	1	7427343	7427343	7427343	7427343	7427343
3.784	VALVE-Pump check	1	7405136	7405136	7405136	7405136	7405136
3.784	PLUG-Pump check valve	1	7405159	7405159	7405159	7405159	7405159
3.784	GASKET-Pump check plug	1	7405145	7405145	7405145	7405145	7405145
3.787	SCREEN-Pump strainer	1	7405162	7405162	7405162	7405162	7405162
3.787	CLIP-Pump screen	1	7405139	7405139	7405139	7405139	7405139

HOLDEN "LH" PARTS CATALOGUE

6 CYLINDER CARBURETTOR COMPONENTS (BENDIX) (Continued)

GROUP	DESCRIPTION	QTY	PART NUMBERS				
			9936832	9930587	9936833	9930588	9936834
3.788	PISTON ASSY.-Vacuum power	1	VS11818	VS11818	VS11818	VS11818	VS11818
3.789	VALVE-Choke	1	VS11799	VS11799	VS11799	VS11799	VS11799
3.789	SCREW-Valve attaching	2	7405118	7405118	7405118	7405118	7405118
3.791	SHAFT ASSY.-Choke	1	VS12061	VS12061	VS12061	VS12061	VS12061
3.791	SPRING-Choke lever	1	7405125	7405125	7405125	7405125	7405125
3.791	LEVER ASSY.-Choke	1	7405122	7405122	7405122	7405122	7405122
3.791	SCREW-Wire clamp	1	7405124	7405124	7405124	7405124	7405124
3.791	SPRING-Choke shaft anti-buzz	1	9937383		9937383		9937383
3.792	LEVER-Fast idle	1	VS11800	VS11800	VS11800	VS11800	VS11800
3.792	NUT-Lever attaching	1	7405120	7405120	7405120	7405120	7405120
3.792	WASHER-Lever attaching nut	1	7405121	7405121	7405121	7405121	7405121
3.793	ROD-Fast idle	1	VS11795	VS11795	VS11795	VS11795	VS11795
3.795	BRACKET-Choke cable	1	VS12121	VS12121	VS12121	VS12121	VS12121
3.795	CLAMP-Choke cable	1	VS11797	VS11797	VS11797	VS11797	VS11797
3.795	SCREW & WASHER ASSY.-Clamp	1	7405166	7405166	7405166	7405166	7405166
3.795	SCREW & WASHER ASSY.-Bracket attaching	1	7405167	7405167	7405167	7405167	7405167

HOLDEN "LH" PARTS CATALOGUE

8 CYLINDER ENGINE CARBURETTOR COMPONENTS (Continued)

GROUP	DESCRIPTION	QTY	PART NUMBERS				
			9931463	9936835	9936841	9931464	9936836
	CARBURETTOR ASSEMBLY						
3.724	GASKET KIT	1	VS12546	VS12988	VS12762	VS12546	VS12988
3.725	REPAIR KIT-Major overhaul	1	VS12547	VS12986	VS13092	VS12544	VS12986
3.725	REPAIR KIT-Minor overhaul	1	VS12548	VS12987	VS12808	VS12545	VS12987
3.726	GASKET-Flange	1	7433691	7433691	7433691	7433691	7433691
3.727	BODY ASSY.-Throttle	1	VS12551	VS12996	VS13150	VS12552	VS13003
3.727	TUBE-Hot air	1			VS12760		
3.729	VALVE-Throttle	2	VS10437	VS10437		VS10437	VS10437
3.729	SCREW-Throttle valve	4	VS10522	VS10522	VS12753	VS10522	VS10522
3.731	LEVER-Throttle	1	VS12554	VS12554		VS12554	VS12554
3.731	LEVER-Throttle cable	1	VS12557	VS12557		VS12557	VS12557
3.731	SHAFT-Throttle	1	VS12555	VS12555		VS12555	VS12555
3.731	NUT-Throttle lever	1	VS10910	VS10910		VS10910	VS10910
3.731	WASHER-Throttle lever nut	1	VS10911	VS10911		VS10911	VS10911
3.734	SCREW-Slow idle adjusting	1	VS10520	VS10520	VS12684	VS10520	VS10520
3.734	SPRING-Slow idle screw	1	VS12553	VS12553		VS12553	VS12553
3.735	CAM-Fast idle	1			VS12681		
3.735	SCREW-Fast idle cam	1			VS12682		
3.737	SCREW-Fast idle	1	VS10906	VS10906	VS13147	VS10906	VS10906
3.737	SPRING-Fast idle screw	1	VS10907	VS10907	VS12737	VS10907	VS10907
3.741	VALVE-Idle needle	2	VS12556	VS12556	VS12688	VS12556	VS12556
3.741	CAP-Idle valve limiter	2			VS12687		
3.741	SPRING-Idle needle valve	2			VS12689		
3.748	BODY ASSY.-Main	1	VS10922	VS10922	VS13152	VS10922	VS10922
3.748	SCREW & LOCK WASHER ASSY.	2	VS11038	VS11038	VS12686	VS11038	VS11038
3.748	SCREW & LOCK WASHER ASSY.	2	VS10523	VS10523		VS10523	VS10523
3.748	TUBE-P.C.V.	1			VS12757		
3.748	TUBE-Spark vacuum	1			VS12758		
3.749	GASKET-Main body	1	VS10433	VS10433	VS12692	VS10433	VS10433
3.751	BLEEDER-High speed	2	7405109	7405109		7405109	7405109
3.752	TUBE-Idle	2	VS12718	VS12718		VS12550	VS12550
3.752	ROD-Metering	2			VS13146		
3.754	JET-Main metering	2	VS12395	VS12395	VS13145	VS12395	VS12395
3.754	JET-Main discharge	2	VS12394	VS12394		VS12394	VS12394
3.755	PLUG-Main metering jet	2	VS10432	VS10432		VS10432	VS10432
3.756	GASKET-Main metering jet plug	2	7405144	7405144		7405144	7405144
3.757	JET-Power by-pass	1	VS12393	VS12393		VS12393	VS12393
3.757	GASKET-Power by-pass jet	1	VS10883	VS10883		VS10883	VS10883
3.758	NOZZLE-Pump	1	VS11911	VS11911		VS10467	VS10467

HOLDEN "LH" PARTS CATALOGUE

8 CYLINDER ENGINE CARBURETTOR COMPONENTS (Continued)

GROUP	DESCRIPTION CARBURETTOR ASSEMBLY	QTY	PART NUMBERS				
			9931463	9936835	9936841	9931464	9936836
3.758	GASKET-Pump nozzle	1	VS10468	VS10468		VS10468	VS10468
3.759	SCREW-Pump nozzle	1	VS10518	VS10518		VS10518	VS10518
3.760	BALL-Inlet check	1	VS10527	VS10527	VS12694	VS10527	VS10527
3.760	BALL-Outlet check	1	VS10519	VS10519	VS12695	VS10519	VS10519
3.763	AIR HORN ASSY.	1	VS10461	VS12989	VS13148	VS10461	VS12989
3.763	SCREW & LOCKWASHER	6	7405166	7405166		7405166	7405166
3.763	SCREW & WASHER-Long	2			VS12672		
3.763	SCREW & WASHER-Short	4			VS12656		
3.763	WASHER-Lock	6			VS12657		
3.764	WASHER-Idle vent seal	1	VS10530	VS10530		VS10530	VS10530
3.764	SPRING-Vent valve external	1		VS12997		VS12997	
3.764	LIFTER-Idle vent valve	1		VS13001		VS13001	
3.764	VALVE-Bowl vent	1			VS13160		
3.764	SPRING-Bowl vent	1			VS13162		
3.764	COVER-Bowl vent	1			VS13159		
3.764	GASKET-Bowl vent cover	1			VS13161		
3.764	SCREW-Bowl vent cover	3			VS13163		
3.764	WASHER-Bowl vent spring	1			VS13156		
3.764	CLIP-Bowl vent washer retaining	1			VS13158		
3.765	GASKET-Air horn	1	VS12396	VS12990	VS12673	VS12396	VS12990
3.767	PLUG-Drive	2	VS10526	VS10526		VS10526	VS10526
3.767	PLUG-Lead ball	4	7405107	7405107		7405107	7405107
3.767	BALL	1			VS12754		
3.767	BALL	1			VS12755		
3.767	BALL	1			VS12756		
3.771	VALVE & SEAT ASSY.-Float needle	1	VS10443	VS10443	VS12693	VS10443	VS10443
3.772	GASKET-Float needle valve seat	1	7405147	7405147		7405147	7405147
3.773	FLOAT & LEVER ASSY.	1	VS10445	VS10445	VS12727	VS10445	VS10445
3.775	PIN-Float fulcrum	1	7405156	7405156	VS12726	7405156	7405156
3.775	SPRING-Float fulcrum	1	7405170	7405170		7405170	7405170
3.775	RETAINER-Float fulcrum pin	1			VS12739		
3.776	BAFFLE-Float chamber	1	VS10446	VS12998	VS12680	VS10446	VS12998
3.778	PISTON ASSY.-Pump	1	VS11151	VS12999	VS13144	VS10916	VS13002
3.778	PIN-Cotter	1	7405140	7405140		7405140	7405140
3.779	SPRING-Pump duration	1	VS10448	VS10448	VS13149	VS10974	VS10974
3.779	WASHER-Duration spring retainer	1	VS10528	VS10528		VS10528	VS10528
3.779	WASHER-Duration spring clip	1	VS10529	VS10529		VS10529	VS10529
3.779	SPRING-Pump bottom	1	VS10447	VS10447		VS10447	VS10447

HOLDEN "LH" PARTS CATALOGUE

8 CYLINDER ENGINE CARBURETTOR COMPONENTS (Continued)

GROUP	DESCRIPTION CARBURETTOR ASSEMBLY	QTY	PART NUMBERS				
			9931463	9936835	9936841	9931464	9936836
3.780	LEVER-Pump	1	VS10464	VS12991	VS13142	VS10464	VS12991
3.781	SCREW-Pump lever	1	VS10517	VS10517	VS12674	VS10517	VS10517
3.783	ROD-Pump	1	VS12549	VS12549	VS13155	VS12549	VS12549
3.783	PIN-Cotter	2	7405140	7405140		7405140	7405140
3.783	CLIP-Pump rod	2			VS13157		
3.786	VENTURI ASSY.	1			VS12729		
3.786	COVER ASSY.-Venturi	1			VS12731		
3.786	GASKET-Venturi cluster, upper	1			VS12730		
3.786	GASKET-Venturi cluster, lower	1			VS12728		
3.786	SCREW-Venturi cluster	2			VS12667		
3.787	FILTER ASSY.-Fuel	1	9938942	9938942	9938942	9938942	9938942
3.788	PISTON ASSY.-Vacuum power	1	VS10897	VS10897		VS10897	VS10897
3.788	PISTON ASSY.-Step up	1			VS12676		
3.788	SPRING-Step up piston	1			VS12678		
3.788	SCREW-Step up piston	1			VS12675		
3.788	GASKET-Step up piston	1			VS12679		
3.789	VALVE-Choke	1	VS10460	VS10460	VS12671	VS10460	VS10460
3.789	SCREW-Valve attaching	2	7405165	7405165	VS12670	7405165	7405165
3.791	SHAFT & LEVER ASSY.-Choke	1	VS10894	VS10894	VS12738	VS10894	VS10894
3.791	LEVER-Choke	1			VS12659		
3.792	LEVER-Fast idle	1	VS10463	VS10463		VS10463	VS10463
3.792	NUT-Lever attaching	1	7405120	7405120		7405120	7405120
3.792	WASHER-Lever attaching nut	1	VS10895	VS10895		VS10895	VS10895
3.793	ROD-Fast idle	1	VS10472	VS10472	VS12683	VS10472	VS10472
3.793	CLIP-Fast idle rod	1	VS10899	VS10899		VS10899	VS10899
3.796	THERMOSTAT ASSY.	1			VS12662		
3.796	COVER ASSY.-Thermostat	1	VS10914	VS10914		VS10442	VS10442
3.796	GASKET-Thermostat cover	1	2809921	2809921	VS12663	2809921	2809921
3.796	SCREW-Thermostat	3	2809937	2809937	VS12661	2809937	2809937
3.796	WASHER-Thermostat cover	3	2809922	2809922		2809922	2809922
3.796	RETAINER-Thermostat	3			VS12660		
3.796	PLUG-Thermostat	1			VS12752		
3.796	PISTON ASSY.-Modulating	1			VS12734		
3.796	LINK-Modulating piston	1			VS12736		
3.796	LEVER-Modulating piston	1			VS12732		
3.796	SCREW-Modulating piston	1			VS12733		
3.797	LEVER & SHAFT ASSY.-Thermostat	1	VS10440	VS10440		VS10440	VS10440
3.797	LEVER-Thermostat	1	VS10439	VS10439	VS12659	VS10439	VS10439

HOLDEN "LH" PARTS CATALOGUE

8 CYLINDER ENGINE CARBURETTOR COMPONENTS (Continued)

GROUP	DESCRIPTION CARBURETTOR ASSEMBLY	QTY	PART NUMBERS				
			9931463	9936835	9936841	9931464	9936836
3.797	SHAFT-Thermostat	1			VS12658		
3.797	NUT-Lever attaching	1	7420254	7420254		7420254	7420254
3.797	WASHER	1	VS10912	VS10912		VS10912	VS10912
3.798	ROD-Choke	1	VS10444	VS10444	VS12699	VS10444	VS10444
3.798	CLIP-Choke rod	1			VS12725		
3.798	PIN-Choke rod, cotter	1	VS10915	VS10915		VS10915	VS10915
3.799	DIAPHRAGM ASSY.	1	VS10893	VS10893		VS10893	VS10893
3.799	SCREW-Diaphragm attaching	2	VS10917	VS10917		VS10917	VS10917
3.799	ROD	1	VS10456	VS10456		VS10456	VS10456
3.799	RETAINER	1	VS10457	VS10457		VS10457	VS10457
3.799	HOSE-Vacuum	1	VS10458	VS10458		VS10458	VS10458

8 CYLINDER ENGINE CARBURETTOR COMPONENTS

GROUP	DESCRIPTION CARBURETTOR ASSEMBLY	QTY	PART NUMBERS				
			9936842	17050641	17050642	17052795	9937629
3.724	GASKET KIT	1	VS12762	7036565	7036565	7036565	
3.725	REPAIR KIT	1					VS13094
3.725	REPAIR KIT-Major overhaul	1	VS13092	7041300	7036741	17052796	
3.725	REPAIR KIT-Minor overhaul	1	VS12808	7039188	7039168	7039188	
3.726	GASKET-Flange	1	7433691	2807914	2807914	2807914	
3.726	INSULATOR-Flange	1		3884571	3884571	3884571	
3.726	ADAPTOR ASSY.-Carburettor to manifold	1					9936827
3.726	GASKET-Carburettor to adaptor	1					9937635
3.726	GASKET-Adaptor to manifold	1					9937634
3.726	SCREW-Adaptor to manifold	4					7429626
3.726	TUBE-Carburettor adaptor	1					7433250
3.727	BODY ASSY.-Throttle	1	VS13151	17050639	17050640	17050639	
3.727	TUBE-Hot air	1	VS12760				
3.729	SCREW-Throttle valve	4	VS12753				
3.734	SCREW-Slow idle adjusting	1	VS12684	7002121	7002121	7002121	
3.734	SPRING-Slow idle screw	1		7003176	7003176	7003176	
3.735	CAM-Fast idle	1	VS12681	7045823	7045823	7045823	
3.735	SCREW-Fast idle cam	1	VS12682				
3.735	LEVER-Cam follower	1		7043634	7043634	7043634	
3.735	SPRING-Cam lever	1		7035772	7035772	7035772	
3.735	LEVER-Fast idle	1		7030677	7030677	7030677	
3.735	SCREW-Fast idle lever attaching	1		7035523	7035523	7035523	
3.737	SCREW-Fast idle	1	VS13147	7029899	7029899	7029899	
3.737	SPRING-Fast idle screw	1	VS12737	7029900	7029900	7029900	
3.741	VALVE-Idle needle	2	VS12688	7042457	7042457	7048532	
3.741	CAP-Idle valve limiter	2	VS12687				
3.742	SPRING-Idle needle valve	2	VS12689	7011479	7011479	7011479	
3.748	BODY ASSY.-Main	1	VS13152	7036743	7036743	17052789	
3.748	SCREW & WASHER ASSY.	2	VS12686				
3.748	SCREW	3		7035790	7035790	7035790	
3.748	CAP-Vacuum port	1				9937792	
3.748	TUBE-P.C.V.	1	VS12757				
3.748	TUBE-Spark vacuum	1	VS12758				
3.749	GASKET-Main body	1	VS12692				
3.752	ROD-Metering	2	VS13146				
3.754	JET-Main metering	2	VS13145				
3.754	JET-Main	2		7031977	7031976	7031977	
3.754	JET-Main, primary	1					VS13096

HOLDEN "LH" PARTS CATALOGUE

8 CYLINDER ENGINE CARBURETTOR COMPONENTS (Continued)

GROUP	DESCRIPTION	QTY	PART NUMBERS				
			9936842	17050641	17050642	17052795	9937629
	CARBURETTOR ASSEMBLY						
3.754	JET-Main, secondary	1					VS13097
3.756	GASKET-Metering block	2					VS13100
3.757	VALVE-Power, secondary	1					VS13098
3.760	BALL-Inlet check	1	VS12694				
3.760	BALL-Outlet check	1	VS12695				
3.760	BALL-Discharge	1		7002117	7002117	7002117	
3.760	RETAINER-Discharge ball	1		7029849	7029849	7029849	
3.762	INSERT-Main body	1		7037319	7037319	7037319	
3.763	AIR HORN ASSY.	1	VS13148	7038964	7038964	17051599	
3.763	SCREW & WASHER-Long	2	VS12672				
3.763	SCREW & WASHER-Short	4	VS12656				
3.763	WASHER-Lock	6	VS12657				
3.763	SCREW-3" long	2		7029912	7029912	7029912	
3.763	SCREW-1" long	5		7014699	7014699	7014699	
3.763	SCREW-3/8" long	2		7031105	7031105	7031105	
3.764	VALVE-Bowl vent	1	VS13160				
3.764	SPRING-Bowl vent	1	VS13162				
3.764	COVER-Bowl vent	1	VS13159				
3.764	GASKET-Bowl vent cover	1	VS13161				
3.764	SCREW-Bowl vent cover	3	VS13163				
3.764	WASHER-Bowl vent spring	1	VS13156				
3.764	CLIP-Bowl vent washer retaining	1	VS13158				
3.764	VALVE KIT-Idle vent	1		7036425	7036425	7036425	
3.765	GASKET-Air horn	1	VS12673	7029087	7029087	7029087	
3.765	GASKET-Float chamber	2					VS13099
3.767	BALL	1	VS12754				
3.767	BALL	1	VS12755				
3.767	BALL	1	VS12756				
3.771	VALVE & SEAT ASSY.-Float needle	1	VS12693	7035130	7035130	7035130	
3.771	CLIP-Pull	1		7033751	7033751	7033751	
3.772	GASKET-Float needle valve seat	1		7033747	7033747	7033747	
3.773	FLOAT & LEVER ASSY.	1	VS12727	7037316	7037316	7037316	
3.775	PIN-Float fulcrum	1	VS12726	7037317	7037317	7037317	
3.775	RETAINER-Float fulcrum pin	1	VS12739				
3.776	BAFFLE-Float chamber	1	VS12680	7032324	7032324	7032324	
3.778	PISTON ASSY.-Pump	1	VS13144	7040691	7037337	7040691	
3.779	SPRING-Pump duration	1	VS13149				
3.779	SPRING-Pump return	1		7037314	7037314	7037314	

HOLDEN "LH" PARTS CATALOGUE

8 CYLINDER ENGINE CARBURETTOR COMPONENTS (Continued)

GROUP	DESCRIPTION CARBURETTOR ASSEMBLY	QTY	PART NUMBERS				
			9936842	17050641	17050642	17052795	9937629
3.780	LEVER-Pump	1	VS13142	7048028	7048028	7048169	
3.780	PIN-Spring $\frac{3}{32}$ " x $\frac{3}{16}$ "	1		9428787	9428787	9428787	
3.780	SPRING & CAM KIT	1		7035344	7035344	7035344	
3.781	SCREW-Pump lever	1	VS12674				
3.783	ROD-Pump	1	VS13155	7026138	7026138	7026138	
3.783	CLIP-Pump rod	2	VS13157				
3.786	VENTURI ASSY.	1	VS12729				
3.786	COVER ASSY.-Venturi	1	VS12731				
3.786	GASKET-Venturi cluster, upper	1	VS12730				
3.786	GASKET-Venturi cluster, lower	1	VS12728				
3.786	SCREW-Venturi cluster	2	VS12667				
3.787	FILTER ASSY.-Fuel	1	9938942	5651393	5651393	5651393	
3.787	GASKET-Fuel filter	1		7032508	7032508	7032508	
3.787	SPRING-Fuel filter	1		7034356	7034356	7034356	
3.787	NUT-Fuel filter	1		7034975	7034975	7034975	
3.788	PISTON ASSY.-Vacuum power	1		7034903	7034903	7034903	
3.788	SPRING-Piston	1		7036019	7036019	7036019	
3.788	PISTON ASSY.-Step up	1	VS12676				
3.788	SPRING-Step up piston	1	VS12751				
3.788	SCREW-Step up piston	1	VS12675				
3.788	GASKET-Step up piston	1	VS12679				
3.789	VALVE-Choke	1	VS12671			7036021	
3.789	SCREW-Valve attaching	2	VS12670	7029866	7029866	7029866	
3.791	SHAFT & VALVE KIT-Choke	1		7036430	7036430		
3.791	LEVER-Intermediate	1		7031231	7031231	7031231	
3.791	SHAFT & LEVER ASSY.-Choke	1	VS12738				
3.791	LEVER-Choke	1	VS12659				
3.793	ROD-Fast idle	1	VS12683				
3.793	THERMOSTAT ASSY.	1	VS12662	2809917	2809917	2809917	
3.796	GASKET-Thermostat cover	1	VS12663	2809921	2809921	2809921	
3.796	SCREW-Thermostat	3	VS12661	2809937	2809937	2809937	
3.796	WASHER-Thermostat	3		2809922	2809922	2809922	
3.796	RETAINER-Thermostat	3	VS12660				
3.796	SPACER-Thermostat housing	1		2812046	2812046	2812046	
3.796	BODY & SHAFT ASSY.-Housing	1		2809918	2809918	2809918	
3.796	SCREW-Housing to inlet manifold	1		154005	154005	154005	
3.796	WASHER-Housing to inlet manifold	1		2808133	2808133	2808133	
3.796	DOWEL-Housing locating	1		2812045	2812045	2812045	

HOLDEN "LH" PARTS CATALOGUE

8 CYLINDER ENGINE CARBURETTOR COMPONENTS (Continued)

GROUP	DESCRIPTION	QTY	PART NUMBERS				
			9936842	17050641	17050642	17052795	9937629
	CARBURETTOR ASSEMBLY						
3.796	PLUG-Thermostat	1	VS12752				
3.796	PISTON ASSY.-Modulating	1	VS12735				
3.796	LINK-Modulating piston	1	VS12736				
3.796	LEVER-Modulating piston	1	VS12732				
3.796	SCREW-Modulating piston	1	VS12733				
3.797	LEVER-Thermostat	1	VS12659	2809920	2809920	2809920	
3.797	SHAFT-Thermostat	1	VS12658				
3.798	ROD-Choke	1	VS12699	7036067	7036067	7036067	
3.798	CLIP-Choke rod	1	VS12725	7005109	7005109	7005109	
3.798	LEVER-Secondary lockout	1		7027270	7027270	7027270	
3.798	ROD-Automatic choke	1		2818897	2818897	2818897	
3.799	DIAPHRAGM & BRACKET ASSY.-Choke kick.	1		7038967	7038967	7038967	
3.799	DIAPHRAGM ASSY.	1		7038239	7038239	7038239	
3.799	SCREW-Diaphragm attaching	1		7031925	7031925	7031925	
3.799	ROD	1		7038167	7038167	7038167	
3.799	RETAINER	1		7005109	7005109	7005109	
3.799	HOSE-Vacuum	1		7026339	7026339	7026339	
3.806	ROD-Metering, primary	2		7034849	7034845	7034850	
3.806	ROD-Metering, secondary	2		7034320	7034320	7034320	
3.806	HOLDER KIT-Secondary metering rod	1		7034522	7034522	7034522	
3.810	SPRING-Metering rod	1		7029862	7029862	7029862	

HOLDEN "LH" PARTS CATALOGUE

GROUP	DESCRIPTION	MODEL	SIDE	PART No.	QTY.
3.900 PUMP — Fuel					
	PUMP ASSY.	4 Cyl. Eng.		05506932 (816031)	1
	BOLT - Pump to cylinder block	4 Cyl. Eng.		05507236 2018114	2
	PUMP ASSY.	6 Cyl. Eng.		NA -7415943	1
	SCREW & LOCK WASHER ASSY.	6 Cyl. Eng.		3719206	2
	PUMP ASSY.	8 Cyl. exc. L34 Eng.		92060434 -2814798	1
	PUMP ASSY.	L34 Eng.		9936576	1
	ECCENTRIC	8 Cyl. Eng.		7434758	1
	STUD	8 Cyl. Eng.		SP1763	1
3.901 REPAIR KIT — Fuel pump					
	REPAIR KIT	4 Cyl. Eng.		05507236 (1608129)	1
	REPAIR KIT	6 Cyl. Eng.		7420687	1
	REPAIR KIT	8 Cyl. Eng.		2808183	1
3.902 BODY, SEAL — Fuel pump					
	BODY	6 Cyl. Eng.		5592850	1
	SEAL - Oil	6 Cyl. Eng.		5593301	1
	WASHER - Oil seal	6 Cyl. Eng.		1521985	1
	BODY	8 Cyl. Eng.		6415453	1
	SCREW	8 Cyl. Eng.		SP1976	1
3.903 BOWL — Fuel pump					
	BOWL	6 Cyl. Eng.		1523094	1
3.904 GASKET — Fuel pump bowl					
	GASKET - Bowl	6 Cyl. Eng.		5593404	1
3.906 BAIL and SCREW — Fuel pump					
	BAIL and SCREW ASSY.	6 Cyl. Eng.		5592046	1
3.909 VALVE and CAGE — Fuel pump					
	VALVE & CAGE ASSY.	6 Cyl. Eng.		5593866	2
	VALVE ASSY.	8 Cyl. Eng.		5623374	2
3.910 COVER — Fuel pump					
	SEAL - Cover	4 Cyl. Eng.		818726	1
	SEAL - Screw	4 Cyl. Eng.		818725	1
	COVER ASSY.	6 Cyl. Eng.		7950756	1
	COVER ASSY.	8 Cyl. Eng.		6416345	1
	SCREW & WASHER ASSY.	6, 8 Cyl. Eng.		SP1724	6
3.913 GASKET — Fuel pump valve and cage					
	GASKET	6 Cyl. Eng.		1521953	2
	GASKET	8 Cyl. Eng.		VS10806	2
3.920 ARM — Fuel pump rocker					
	ARM	6 Cyl. Eng.		1523093	1
	ARM	8 Cyl. Eng.		6416623	1
3.921 PIN, PLUG — Fuel pump rocker arm					
	PIN	6 Cyl. Eng.		5592851	1
	PLUG	6 Cyl. Eng.		5592852	2
	PIN	8 Cyl. Eng.		6414278	1
	PLUG	8 Cyl. Eng.		6414391	2
3.922 SPRING — Fuel pump rocker arm					
	SPRING	6 Cyl. Eng.		1522046	1
	SPRING	8 Cyl. Eng.		6413712	1

HOLDEN "LH" PARTS CATALOGUE

GROUP	DESCRIPTION	MODEL	SIDE	PART No.	QTY.
3.925	DIAPHRAGM KIT — Fuel pump				
	DIAPHRAGM KIT	6 Cyl. Eng.		7420688	1
	DIAPHRAGM & PULL ROD	6 Cyl. Eng.		1522199	1
	DIAPHRAGM KIT	8 Cyl. exc. L34 Eng.		2808182	1
	DIAPHRAGM & PULL ROD ASSY.	8 Cyl. exc. L34 Eng.		6413700	1
	DIAPHRAGM & PULL ROD ASSY.	L34 Eng.		9937120	1
3.926	PULSATOR — Fuel pump diaphragm				
	PULSATOR	8 Cyl. Eng.		6413726	1
	PLATE - Pulsator cover	8 Cyl. Eng.		6413724	1
3.927	SPRING — Fuel pump diaphragm				
	SPRING	6 Cyl. Eng.		7950671	1
3.929	SCREEN — Fuel pump				
	SCREEN	4 Cyl. Eng.		818253	1
	SCREEN	6 Cyl. Eng.		1523099	1
3.931	LINK — Fuel pump				
	LINK	6 Cyl. Eng.		1521708	1
3.932	GASKET — Fuel pump flange				
	GASKET - 0.5 mm thick	4 Cyl. Eng.		818619	2
	GASKET - 2.4 mm thick	4 Cyl. Eng.		818618	1
	GASKET	6 Cyl. Eng.		7426584	1
	GASKET	8 Cyl. Eng.		7434741	1

08930353
 90354309
 93014876
 9303187

GROUP 4.000

TRANSMISSION SECTION

TRANSMISSION INDEX

TRANSMISSION ASSEMBLIES AND PARTS ARE LISTED AS FOLLOWS:—

SECTION 1: TRANSMISSION CASE AND GEARS
THREE SPEED FULLY SYNCHRONIZED
RIGHT HAND DRIVE
PAGES

TRANSMISSION CODE **A**

PAGE EDGE CODE



SECTION 2: TRANSMISSION ASSEMBLY
3 SPEED MANUAL CONTROL
LEFT HAND DRIVE
PAGES

TRANSMISSION CODE **B**

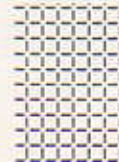
PAGE EDGE CODE



SECTION 3: TRANSMISSION ASSEMBLY
4 SPEED MANUAL CONTROL
FITTED IN ALL VEHICLES EQUIPPED
WITH 6 AND 8 CYLINDER ENGINES
FITTED IN VEHICLES EQUIPPED WITH
4 CYLINDER ENGINE — FIRST TYPE
PAGES

TRANSMISSION CODE **F**

PAGE EDGE CODE



SECTION 4: TRANSMISSION ASSEMBLY
4 SPEED MANUAL CONTROL
FITTED IN VEHICLES EQUIPPED WITH
4 CYLINDER ENGINES — SECOND TYPE
"TORQUEMASTER"
PAGES

TRANSMISSION CODE **H**

PAGE EDGE CODE

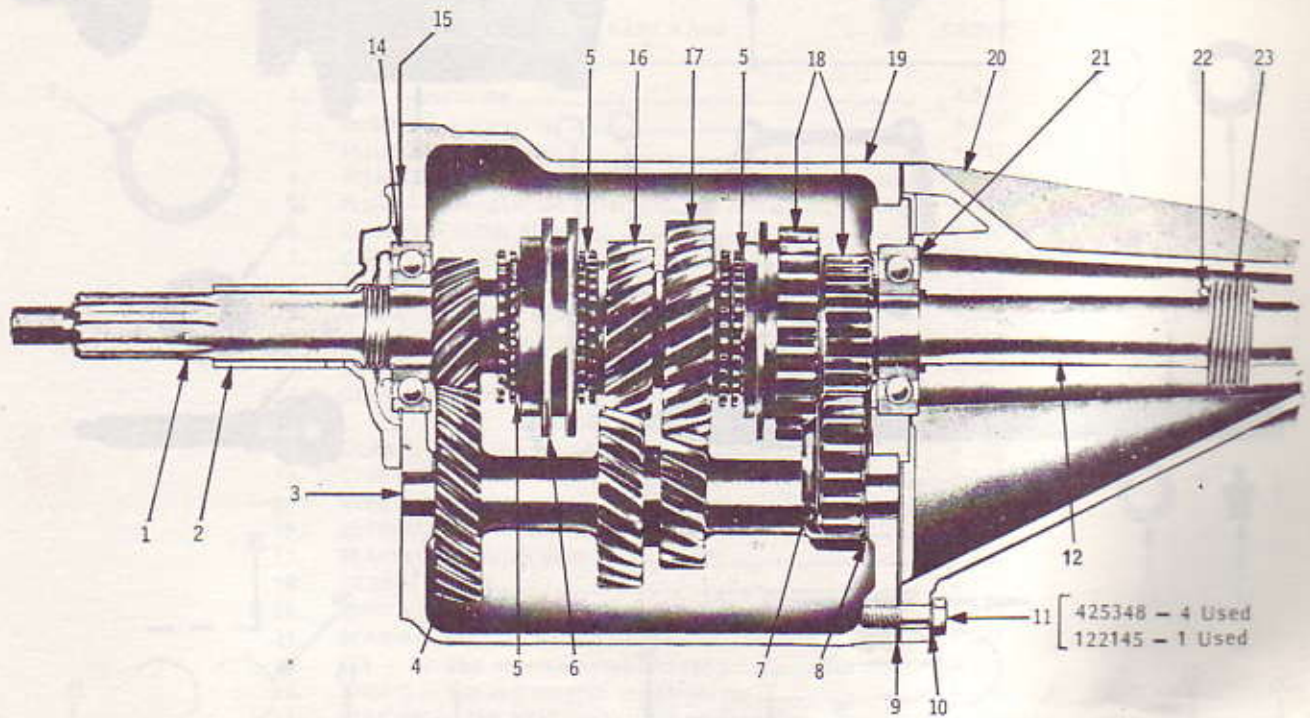


SECTION 5: TRANSMISSION ASSEMBLY
TRIMATIC
PAGES

TRANSMISSION CODE **U**

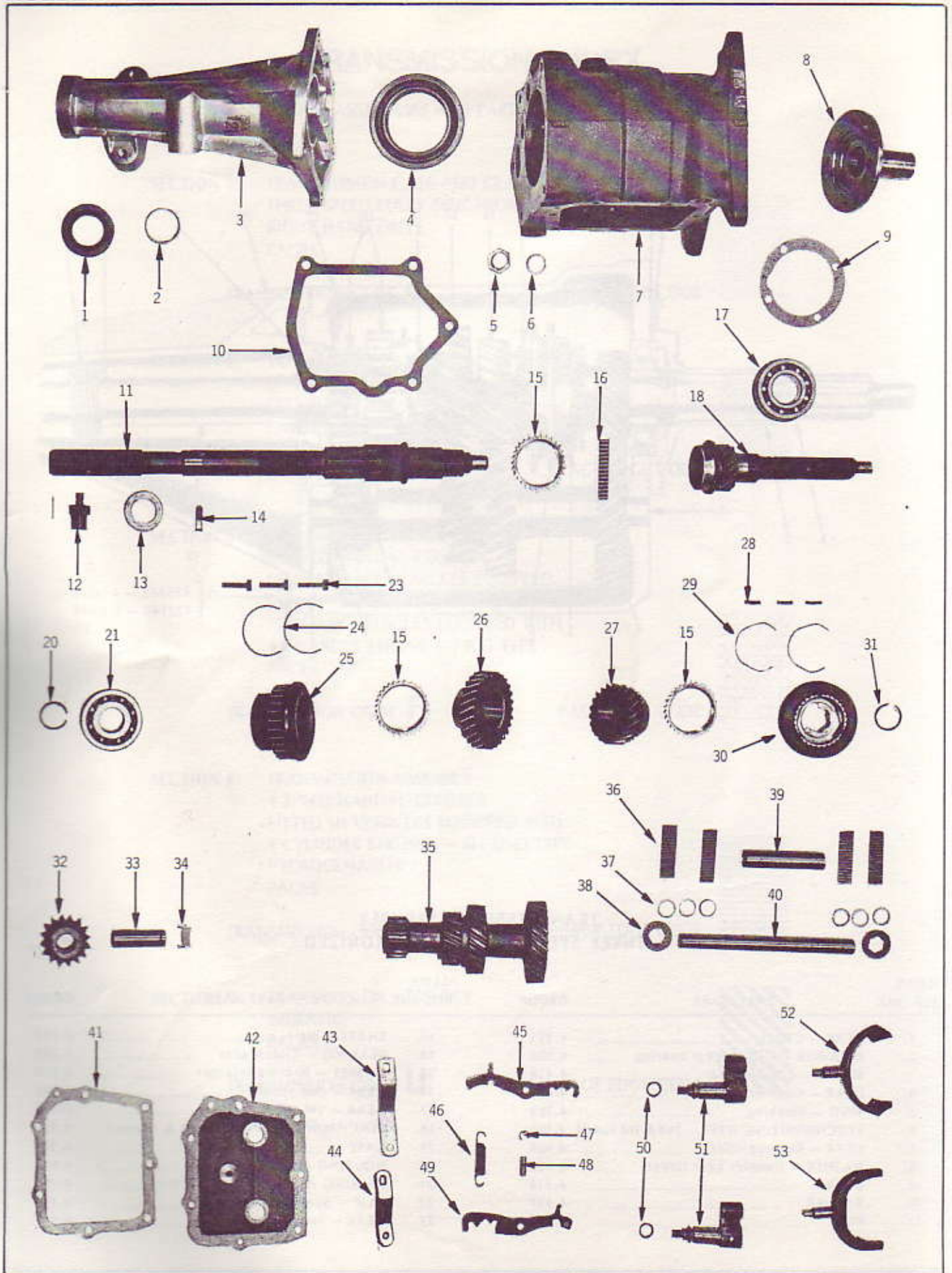
PAGE EDGE CODE





**TRANSMISSION ASSEMBLY
THREE SPEED FULLY SYNCHRONIZED**

ILLUS. REF. NO.	PART NAME	GROUP	ILLUS. REF. NO.	PART NAME	GROUP
1.	GEAR - Clutch	4.351	12.	SHAFT - Main	4.403
2.	RETAINER - Clutch gear bearing	4.356	14.	BEARING - Clutch gear	4.355
3.	SHAFT - Counter gear	4.428	15.	GASKET - Bearing retainer	4.358
4.	GEAR - Counter	4.421	16.	GEAR - 2nd speed	4.395
5.	RING - Blocking	4.383	17.	GEAR - 1st speed	4.418
6.	SYNCHRONIZING ASSY. - 2nd & 3rd speed	4.380	18.	SYNCHRONIZING ASSY. - 1st & reverse	4.380
7.	GEAR - Reverse idler	4.430	19.	CASE	4.103
8.	WASHER - Counter gear thrust	4.423	20.	HOUSING ASSY.	4.317
9.	GASKET	4.318	21.	BEARING ASSY. - Mainshaft rear.....	4.408
10.	WASHER	4.317	22.	CLIP - Speedo drive gear.....	4.337
11.	BOLT	8.900	23.	GEAR - Speedo drive	4.337

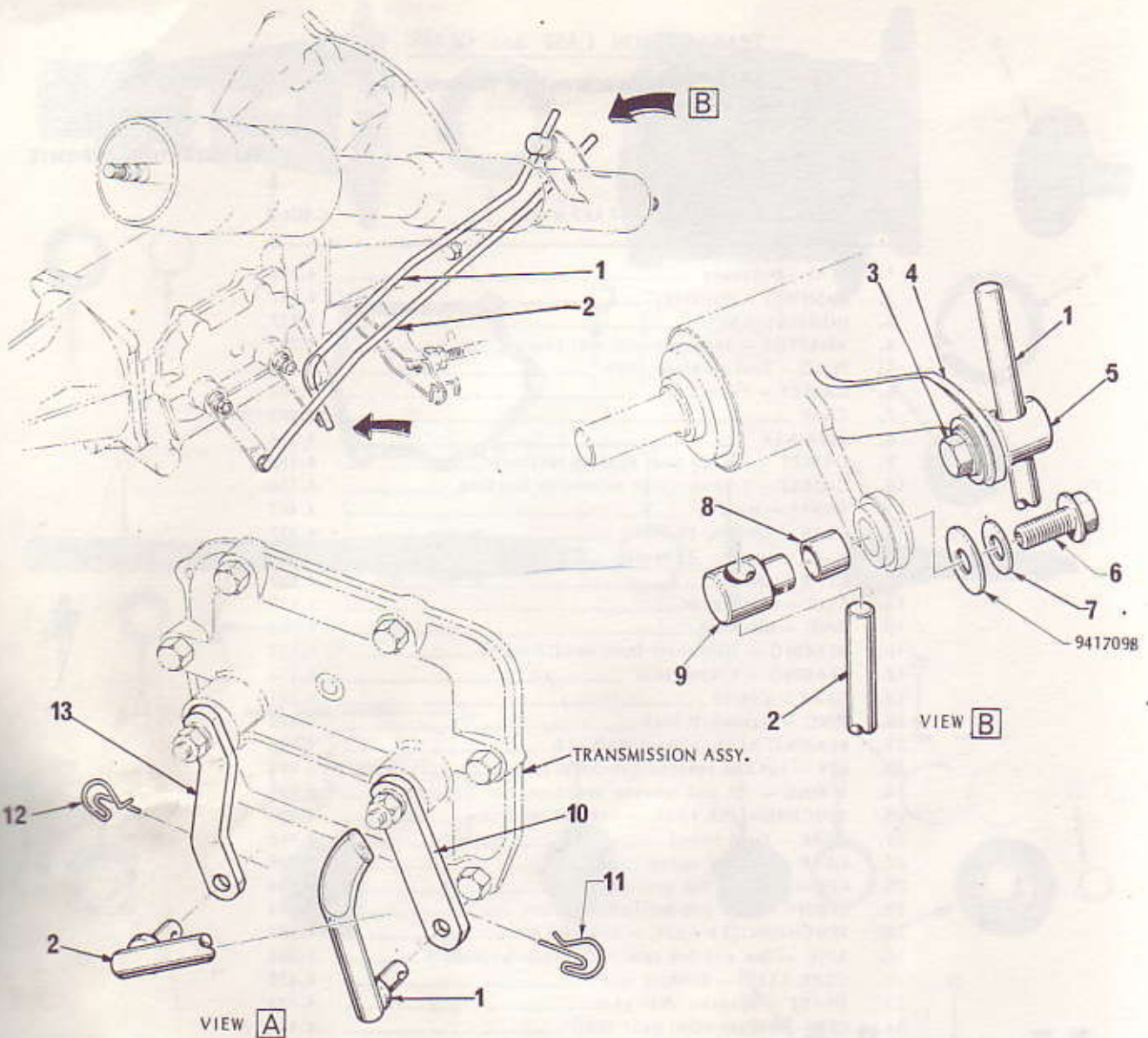


TRANSMISSION CASE and GEARS

3 Speed — Fully Synchronized Transmission

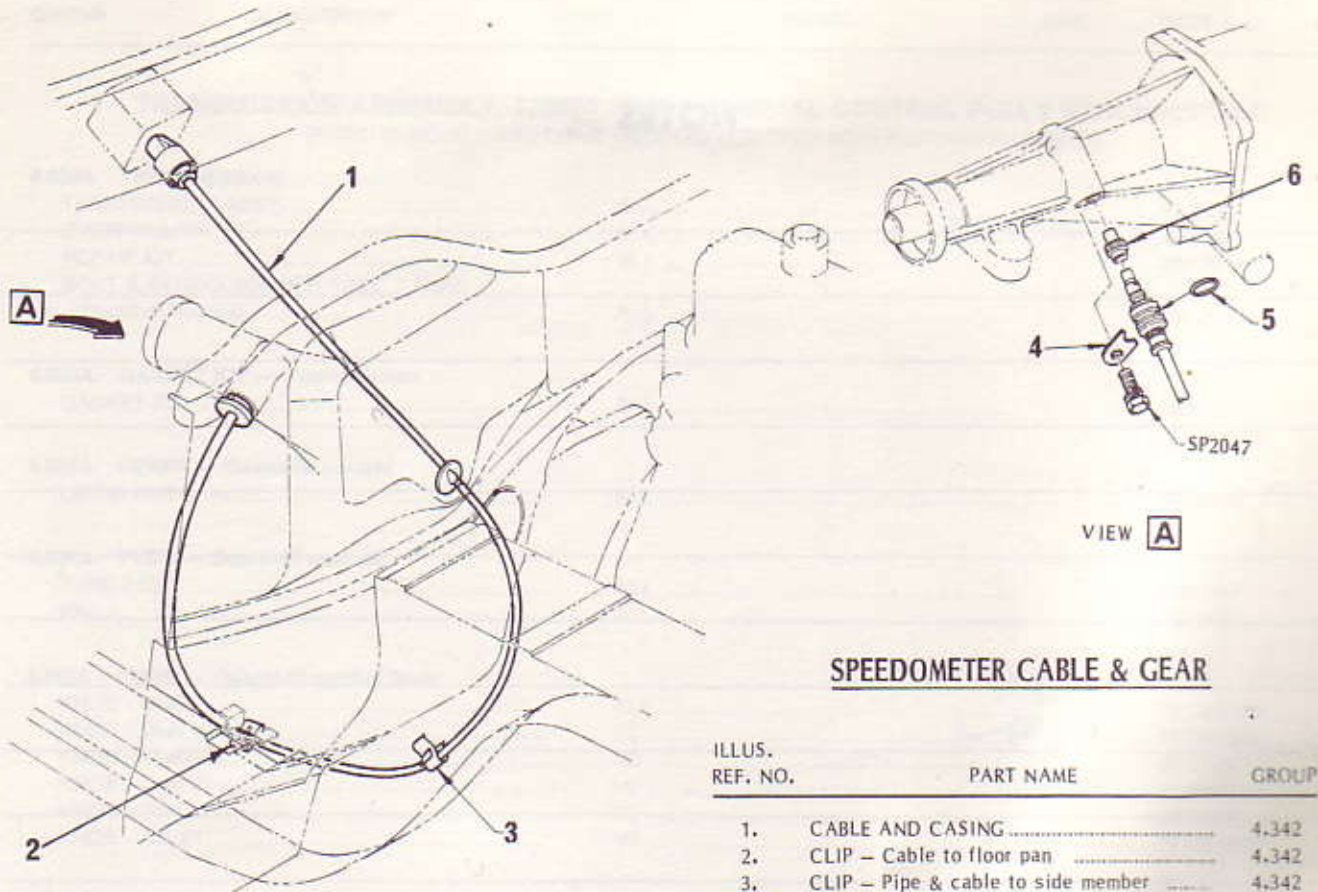
ILLUSTRATION OPPOSITE

ILLUS. REF. NO.	PART NAME	GROUP
1.	SEAL — Housing	4.317
2.	BUSHING — Housing	4.317
3.	HOUSING ASSY.	4.317
4.	ADAPTOR — Transmission rear bearing	4.317
5.	PLUG — Transmission filler	4.103
6.	GASKET — Filler plug	4.103
7.	CASE	4.103
8.	RETAINER	4.356
9.	GASKET — Clutch gear bearing retainer	4.358
10.	GASKET — Transmission extension housing	4.318
11.	SHAFT — Main	4.403
12.	GEAR — Driven, 21 teeth	4.337
	23 teeth	4.337
13.	GEAR — Drive	4.337
14.	CLIP — Drive gear	4.337
15.	RING — Blocking	4.383
16.	BEARING — Mainshaft front needle roller	4.352
17.	BEARING — Clutch gear	4.355
18.	GEAR — Clutch	4.351
20.	RING — Mainshaft lock	4.412
21.	BEARING ASSY. — Mainshaft rear	4.408
23.	KEY — 1st and reverse synchronizer	4.384
24.	SPRING — 1st and reverse synchronizer	4.383
25.	SYNCHRONIZER ASSY. — 1st and reverse	4.380
26.	GEAR — First speed	4.418
27.	GEAR — Second speed	4.395
28.	KEY — 2nd and 3rd synchronizer	4.384
29.	SPRING — 2nd and 3rd synchronizer	4.383
30.	SYNCHRONIZER ASSY. — 2nd and 3rd	4.380
31.	RING — 2nd and 3rd synchronizer to mainshaft	4.382
32.	GEAR ASSY. — Reverse idler	4.430
33.	SHAFT — Reverse idler gear	4.433
34.	KEY — Reverse idler gear shaft	4.433
35.	GEAR — Counter	4.421
36.	BEARING — Counter gear needle roller	4.422
37.	WASHER — Bearing	4.423
38.	WASHER — Gear thrust	4.423
39.	SPACER — Bearing	4.423
40.	SHAFT — Counter gear	4.428
41.	GASKET — Transmission cover	4.109
42.	COVER — Transmission	4.105
43.	LEVER — 1st and reverse external	4.050
44.	LEVER — 2nd and 3rd external	4.046
45.	CAM — 1st and reverse detent	4.311
46.	SPRING — Detent cam	4.311
48.	PIN — Detent cam	4.311
49.	CAM — 2nd and 3rd detent	4.311
50.	SEAL — Shifter shaft	4.309
51.	SHAFT ASSY. — Shifter fork	4.309
52.	FORK — 1st and reverse shift	4.304
53.	FORK — 2nd and 3rd shift	4.303



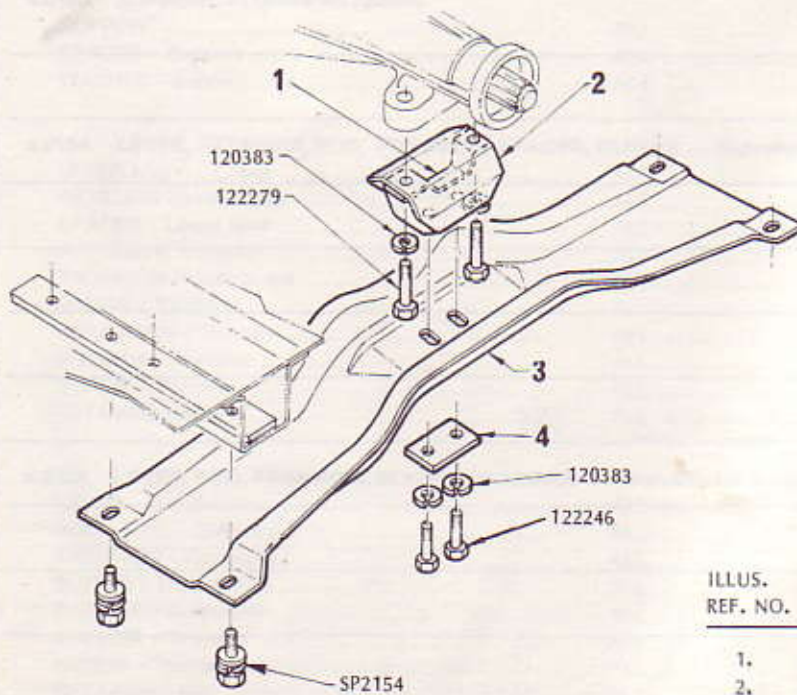
GEARSHIFT CONTROL

ILLUS. REF. NO.	PART NAME	GROUP	ILLUS. REF. NO.	PART NAME	GROUP
1.	ROD - 2nd & 3rd shift	4.019	8.	SLEEVE - Trunnion	4.020
2.	ROD - 1st & reverse shift	4.020	9.	TRUNNION - Control rod	4.020
3.	SCREW - Trunnion	4.019	10.	LEVER - 2nd & 3rd shifter	4.046
4.	LEVER - Lower	4.019	11.	RETAINER - Rod	4.019
5.	TRUNNION - Control rod	4.019	12.	RETAINER - Rod	4.020
6.	SCREW - Trunnion	4.020	13.	LEVER - 1st & reverse	4.050
7.	WASHER - Trunnion	4.020			



SPEEDOMETER CABLE & GEAR

ILLUS. REF. NO.	PART NAME	GROUP
1.	CABLE AND CASING	4.342
2.	CLIP - Cable to floor pan	4.342
3.	CLIP - Pipe & cable to side member	4.342
4.	RETAINER - Casing, drive end	4.342
5.	SEAL - "O" Ring	4.338
6.	GEAR - Driven	4.337



TRANSMISSION MOUNTING

ILLUS. REF. NO.	PART NAME	GROUP
1.	ARRESTOR - Engine rear mounting	4.081
2.	MOUNTING	4.081
3.	SUPPORT - Engine rear mounting	12.982
4.	REINFORCEMENT	4.081

NOTES

HOLDEN "LH" PARTS CATALOGUE

GROUP	DESCRIPTION	MODEL	SIDE	PART No.	QTY.
TRANSMISSION ASSEMBLY, THREE SPEED MANUAL CONTROL FULLY SYNCHRONIZED					
FITTED IN RIGHT HAND DRIVE VEHICLES EQUIPPED WITH 6 CYLINDER ENGINES					
4.003A	TRANSMISSION				
	TRANSMISSION ASSY.	ALL		9930984	1
	OVERHAUL KIT	ALL		7449498	1
	REPAIR KIT	ALL		2810932	1
	BOLT & SPRING WASHER ASSY. - Trans. to clutch housing	ALL		SP2029	4
4.005A	GASKET KIT — Transmission				
	GASKET KIT	ALL		M37425	1
4.006A	LEVER — Gearshift control				
	LEVER ASSY.	ALL		9928844	1
4.007A	TUBE — Gearshift control				
	TUBE ASSY.	ALL		9929051	1
	PIN	ALL		7429551	1
4.009A	KNOB — Gearshift control lever				
	KNOB - Black	ALL		2813559BA	1
	KNOB - Dark Ash.	VC		2813559DD	1
	KNOB - Chestnut	VC		2813559DG	1
	KNOB - Dark Grey	VC		2813559DS	1
	KNOB - Tan	VC		2813559DX	1
	KNOB - Covert	VC		2813559DY	1
4.017A	SPRING — Gearshift				
	SPRING - Lower control	ALL		7433264	1
	SPRING - Selector return	ALL		2807897	1
4.018A	SUPPORT — Gearshift control				
	SUPPORT	ALL		9933745	1
	SPACER - Support	ALL		9933746	1
	WASHER - Support	ALL		9933747	1
4.019A	LEVER, RETAINER, ROD, TRUNNION, SPACER, SLEEVE — Gearshift 2nd & 3rd shift				
	LEVER ASSY. - Lower	ALL		2824008	1
	RETAINER - Lower lever	ALL		2813176	1
	SPACER - Lower lever	ALL		2807707	1
	ROD ASSY. - Control	ALL		2824298	1
	TRUNNION - Control rod	ALL		2814030	1
	SLEEVE - Trunnion	ALL		2814031	1
	INSULATOR - Trunnion	ALL		2814033	1
	WASHER - Trunnion	ALL		1367656	1
	SCREW - Trunnion	ALL		SP2459	1
	RETAINER - Rod	ALL		3749084	1
4.020A	LEVER, ROD, TRUNNION, SLEEVE, RETAINER — Gearshift 1st & reverse shift				
	LEVER - Lower	ALL		2824007	1
	ROD ASSY. - Control	ALL		2824297	1
	TRUNNION - Control rod	ALL		2814030	1
	SLEEVE - Trunnion	ALL		2814031	1
	INSULATOR - Trunnion	ALL		2814033	1
	WASHER - Trunnion	ALL		1367656	1
	SCREW - Trunnion	ALL		SP2459	1
	RETAINER - Rod	ALL		3749084	1

HOLDEN "LH" PARTS CATALOGUE

GROUP	DESCRIPTION	MODEL	SIDE	PART No.	QTY.
TRANSMISSION ASSEMBLY, THREE SPEED MANUAL CONTROL FULLY SYNCHRONIZED					
FITTED IN RIGHT HAND DRIVE VEHICLES EQUIPPED WITH 6 CYLINDER ENGINES					
4.046A	LEVER — 2nd & 3rd shifter				
	LEVER	ALL		2824006	1
	NUT - Lever	ALL		7417652	1
4.050A	LEVER — 1st & reverse shifter				
	LEVER	ALL		2824005	1
	NUT - Lever	ALL		7417652	1
4.081A	MOUNTING, ARRESTOR — Transmission support				
	MOUNTING ASSY.	ALL		7432235	1
	ARRESTOR - Engine rear mounting	ALL		7432222	1
	REINFORCEMENT	ALL		9928656	1
4.103A	CASE — Transmission				
	CASE	ALL		2822933	1
	PLUG - Transmission filler	ALL		7400181	1
	GASKET - Annular 3/4" filler plug	ALL		113897	1
	MAGNET - Chip collector	ALL		3787240	1
4.105A	COVER - Transmission				
	COVER	ALL		7433771	1
	BOLT - Cover to case	ALL		SP2141	4
4.109A	GASKET — Transmission cover				
	GASKET	ALL		7433769	1
4.303A	FORK — Transmission shifter shaft 2nd & 3rd				
	FORK	ALL		7433775	1
4.304A	FORK — Transmission shifter 1st & reverse				
	FORK	ALL		7433774	1
4.309A	SHAFT, SEAL — Transmission shift fork				
	SHAFT ASSY.	ALL		7433869	2
	SEAL - Transmission shifter shaft	ALL		7430136	2
4.311A	CAM, SPRING - Transmission detent				
	CAM - 1st & reverse detent	ALL		7433772	1
	CAM - 2nd & reverse detent	ALL		7433773	1
	PIN - Detent cam	ALL		SP2094	1
	SPRING - Detent cam	ALL		7433927	1
4.317A	HOUSING, ADAPTOR, BUSHING, SEAL — Transmission extension				
	HOUSING ASSY.	ALL		7433768	1
	ADAPTOR - Transmission rear bearing	ALL		7433998	1
	BUSHING - Housing	ALL		3717682	1
	SEAL - Housing	ALL		8871649	1
	WASHER - Housing to case	ALL		7400256	4
4.318A	GASKET — Transmission extension housing				
	GASKET	ALL		7433767	1
4.337A	GEAR — Speedometer driven and drive				
	GEAR - Driven - 21 teeth - Green	3.08: 1 A.R.		7430969	1
	GEAR - Driven - 23 teeth - Red	3.36: 1 A.R.		7430971	1
	GEAR - Drive	ALL		7437317	1
	CLIP - Drive gear	ALL		1373122	1

CHASSIS

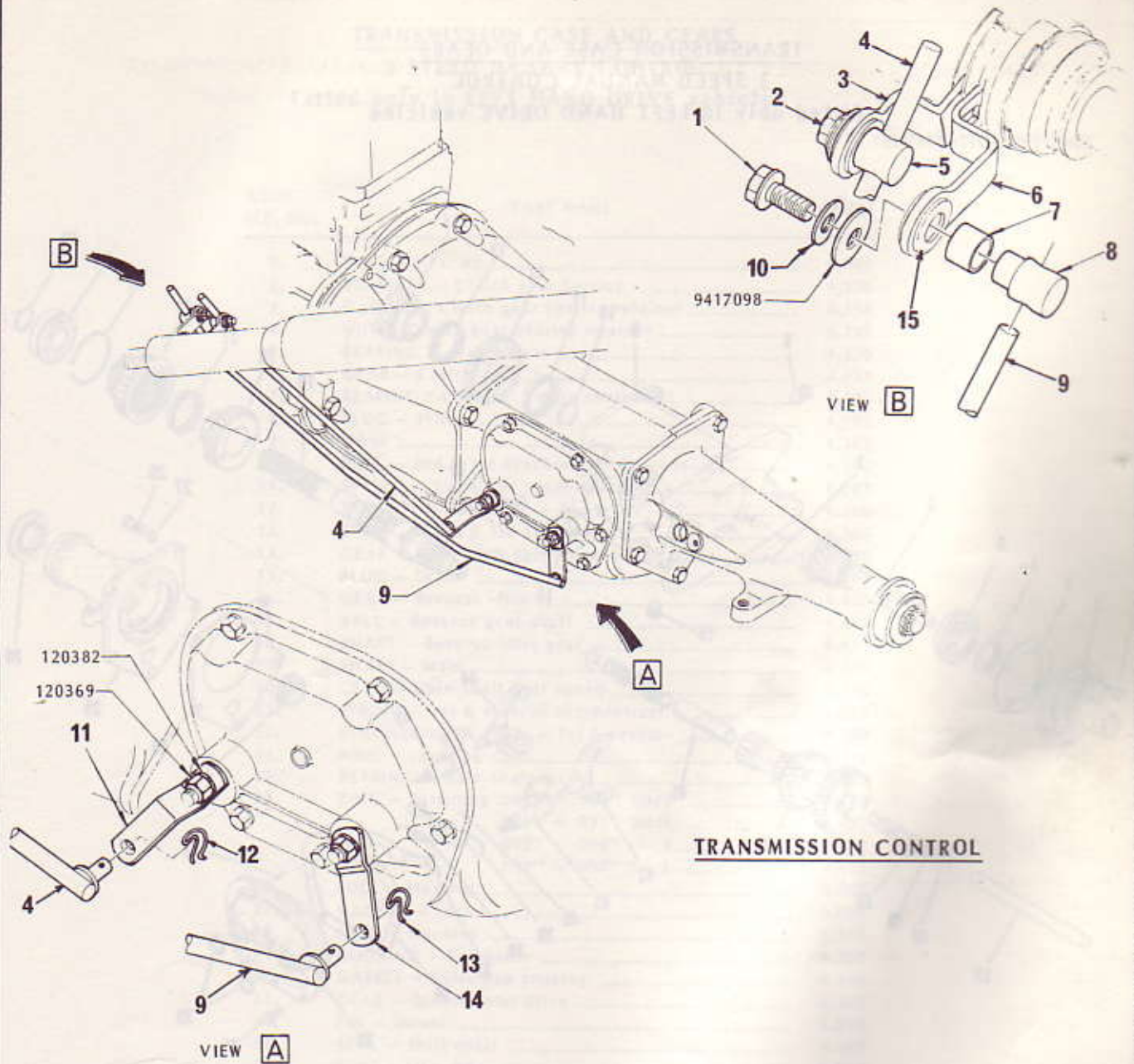
HOLDEN "LH" PARTS CATALOGUE

GROUP	DESCRIPTION	MODEL	SIDE	PART No.	QTY.
TRANSMISSION ASSEMBLY, THREE SPEED MANUAL CONTROL FULLY SYNCHRONIZED FITTED IN RIGHT HAND DRIVE VEHICLES EQUIPPED WITH 6 CYLINDER ENGINES					
4.338A	"O" RING - Speedometer driven and drive gear				
	"O" RING - 3/8" x 1/8"	ALL		7430921	1
4.342A	CABLE and CASING - Speedometer				
	CABLE & CASING	ALL ✓		2824560	1
	CABLE KIT	ALL		VS12415	1
	CLIP - Pipe & cable to side member	ALL		SP1885	1
	CLIP - Cable to floor pan	ALL		7434452	1
	RETAINER - Casing drive end	ALL		7430917	1
	SEAL - Speedometer shaft	ALL		7434266	1
	RETAINER - Seal (nylon)	ALL		2817874	1
4.351A	GEAR - Clutch				
	GEAR	ALL		9930921	1
4.352A	BEARING - Mainshaft front				
	BEARING - Needle roller	ALL		7400162	15
	BEARING PACKAGE	ALL		7449495	1
4.354A	SEAL - Clutch gear oil				
	SEAL ASSY.	ALL		3987936	1
4.355A	BEARING - Clutch gear				
	BEARING ASSY.	ALL		7429999	1
4.356A	RETAINER - Clutch gear bearing				
	RETAINER	ALL		9930909	1
4.358A	GASKET - Clutch gear bearing retainer				
	GASKET	ALL		591022	1
4.376A	RING - Clutch gear bearing retainer				
	RING - .088" thick	ALL		(* 3775052	1
	RING - .094" thick	ALL		(* 3775050	1
4.380A	SYNCHRONIZER - Transmission				
	SYNCHRONIZER ASSY. - 1st & reverse	ALL		7435045	1
	SYNCHRONIZER ASSY. - 2nd & 3rd	ALL		7435044	1
4.382A	RING - Transmission synchronizer				
	RING - 2nd & 3rd synchro to mainshaft	ALL		3775089	1
4.383A	SPRING, RING - Transmission synchronizer				
	SPRING - 1st & reverse	ALL		7437055	2
	SPRING - 2nd & 3rd	ALL		7438527	2
	RING - Blocking	ALL		7434978	3
4.384A	KEY - Transmission synchronizer				
	KEY - 1st & reverse	ALL		7435047	3
	KEY - 2nd & 3rd	ALL		7435043	3
4.395A	GEAR - Mainshaft second speed				
	GEAR	ALL		7433830	1

Note: (*) Selective fit.

HOLDEN "LH" PARTS CATALOGUE

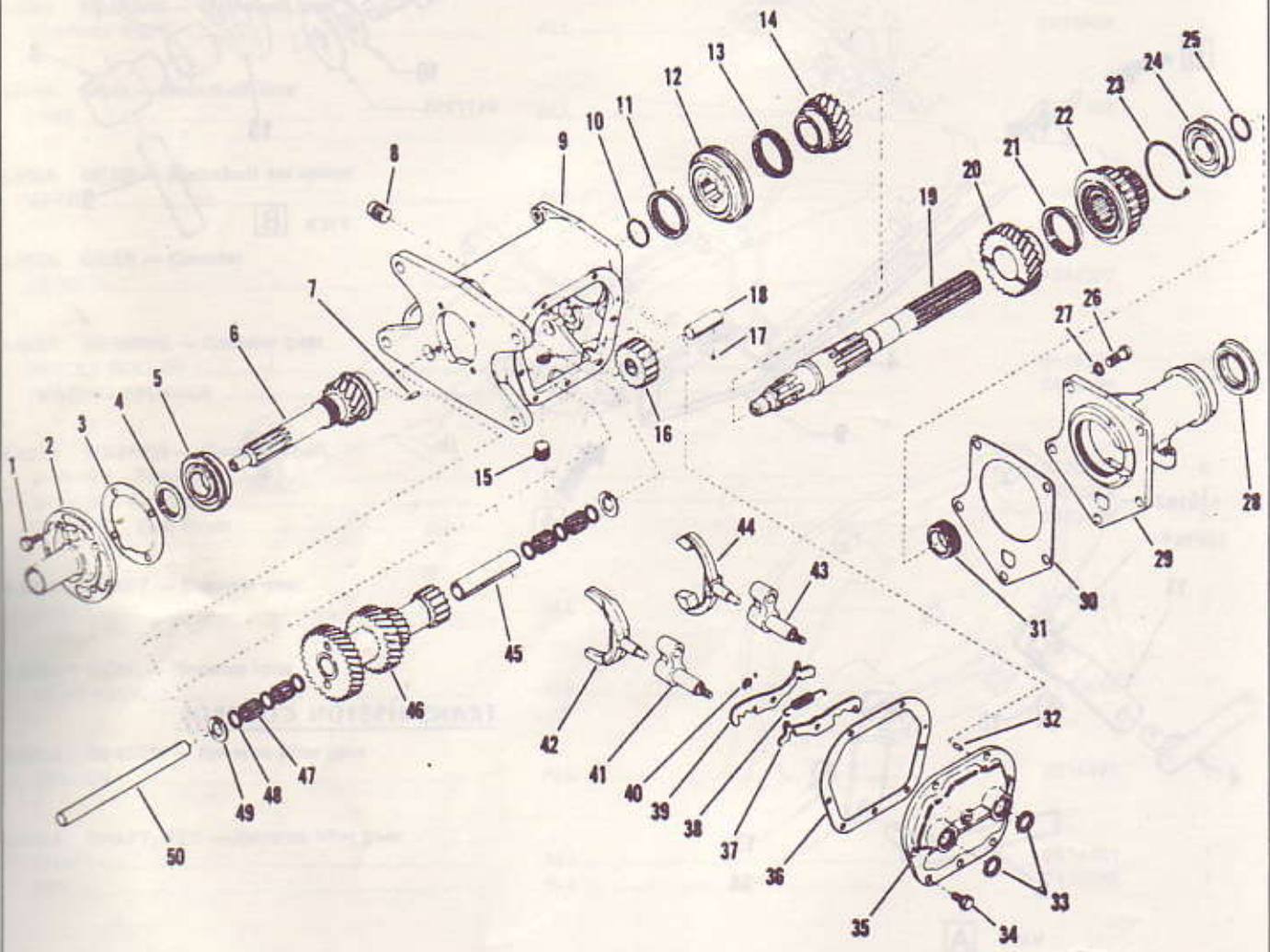
GROUP	DESCRIPTION	MODEL	SIDE	PART No.	QTY.
TRANSMISSION ASSEMBLY, THREE SPEED MANUAL CONTROL FULLY SYNCHRONIZED					
FITTED IN RIGHT HAND DRIVE VEHICLES EQUIPPED WITH 6 CYLINDER ENGINES					
4.403A	SHAFT — Transmission main				
	SHAFT	ALL		7433871	1
4.408A	BEARING — Mainshaft rear				
	BEARING ASSY.	ALL		7433929	1
4.412A	RING — Mainshaft lock				
	RING	ALL		3707189	1
4.418A	GEAR — Mainshaft 1st speed				
	GEAR	ALL		7434308	1
4.421A	GEAR — Counter				
	GEAR	ALL		7434307	1
4.422A	BEARING — Counter gear				
	NEEDLE ROLLER	ALL		9414193	92
	BEARING PACKAGE	ALL		7449496	1
4.423A	WASHER — Counter shaft				
	WASHER - Bearing	ALL		3775063	6
	SPACER - Bearing	ALL		7433928	1
	WASHER - Gear thrust	ALL		7433776	2
4.428A	SHAFT — Counter gear				
	SHAFT	ALL		3775061	1
4.430A	GEAR — Reverse Idler				
	GEAR ASSY.	ALL		7433868	1
4.431A	SPACER — Reverse Idler gear				
	SPACER	ALL		2814480	1
4.433A	SHAFT, KEY — Reverse Idler gear				
	SHAFT	ALL		2814481	1
	KEY	ALL		7433986	1



TRANSMISSION ASSEMBLY, THREE SPEED MANUAL CONTROL
 Fitted only in LEFT HAND DRIVE vehicles

ILLUS. REF. NO.	PART NAME	GROUP	ILLUS. REF. NO.	PART NAME	GROUP
1.	SCREW - Trunnion	4.020	9.	ROD - Control	4.020
2.	SCREW - Trunnion	4.019	10.	WASHER - Trunnion	4.020
3.	LEVER ASSY. - Lower	4.019	11.	LEVER - 2nd & 3rd external	4.046
4.	ROD ASSY. - Control	4.019	12.	RETAINER - Rod	4.019
5.	TRUNNION - Control rod	4.019	13.	RETAINER - Rod	4.020
6.	LEVER - Lower	4.020	14.	LEVER - 1st & reverse external	4.050
7.	SLEEVE - Trunnion	4.020	15.	INSULATOR - Trunnion	4.020
8.	TRUNNION - Control rod.....	4.020			

TRANSMISSION CASE AND GEARS
3 SPEED MANUAL CONTROL
 Fitted only in LEFT HAND DRIVE vehicles



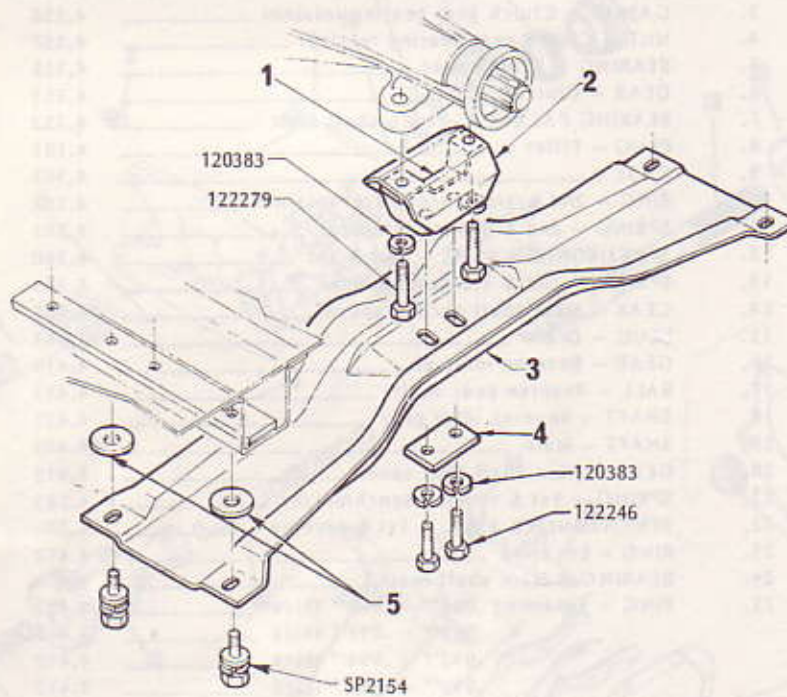
TRANSMISSION ASSEMBLY THREE SPEED MANUAL CONTROL
 FITTED ONLY IN LEFT HAND DRIVE VEHICLES

Part No.	Description	QTY	Part No.	Description	QTY
1	Input Shaft	1	19	Intermediate Shaft	1
2	Input Gear	1	20	Intermediate Gear	1
3	Intermediate Gear	1	21	Output Gear	1
4	Intermediate Gear	1	22	Output Gear	1
5	Intermediate Gear	1	23	Output Gear	1
6	Intermediate Gear	1	24	Output Gear	1
7	Intermediate Gear	1	25	Output Gear	1
8	Intermediate Gear	1	26	Output Gear	1
9	Transmission Case	1	27	Output Gear	1
10	Intermediate Gear	1	28	Output Gear	1
11	Intermediate Gear	1	29	Output Gear	1
12	Intermediate Gear	1	30	Output Gear	1
13	Intermediate Gear	1	31	Output Gear	1
14	Intermediate Gear	1	32	Output Gear	1
15	Intermediate Gear	1	33	Output Gear	1
16	Intermediate Gear	1	34	Output Gear	1
17	Intermediate Gear	1	35	Output Gear	1
18	Intermediate Gear	1	36	Output Gear	1
19	Intermediate Shaft	1	37	Output Gear	1
20	Intermediate Gear	1	38	Output Gear	1
21	Output Gear	1	39	Output Gear	1
22	Output Gear	1	40	Output Gear	1
23	Output Gear	1	41	Output Gear	1
24	Output Gear	1	42	Output Gear	1
25	Output Gear	1	43	Output Gear	1
26	Output Gear	1	44	Output Gear	1
27	Output Gear	1	45	Output Gear	1
28	Output Gear	1	46	Output Gear	1
29	Output Gear	1	47	Output Gear	1
30	Output Gear	1	48	Output Gear	1
31	Output Gear	1	49	Output Gear	1
32	Output Gear	1	50	Output Gear	1

TRANSMISSION CASE AND GEARS
3 SPEED MANUAL CONTROL
 Fitted only in LEFT HAND DRIVE vehicles

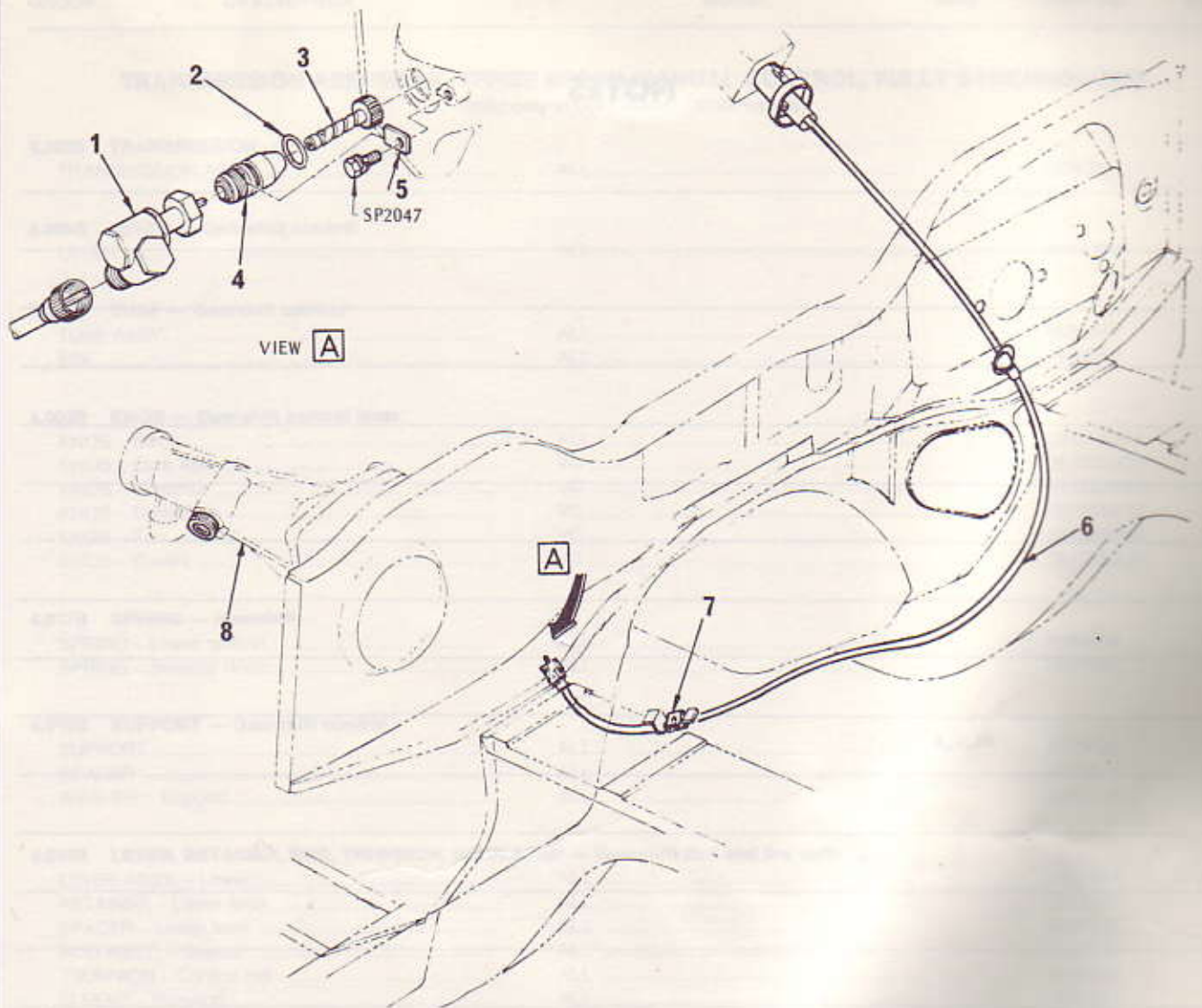
ILLUSTRATION OPPOSITE

ILLUS. REF. NO.	PART NAME	GROUP
1.	BOLT - Hex. hd.	8,900
2.	RETAINER - Clutch gear bearing	4,356
3.	GASKET - Clutch gear bearing retainer	4,358
4.	NUT - Clutch gear bearing retainer	4,357
5.	BEARING - Clutch gear	4,355
6.	GEAR - Clutch	4,351
7.	BEARING PACKAGE - Main shaft front	4,352
8.	PLUG - Filler	4,103
9.	CASE	4,103
10.	RING - 2nd & 3rd synchronizer retainer	4,382
11.	SPRING - 2nd & 3rd synchronizer	4,383
12.	SYNCHRONIZER ASSY. - 2nd & 3rd	4,380
13.	SPRING - 2nd & 3rd synchronizer	4,383
14.	GEAR - Main shaft second speed	4,395
15.	PLUG - Drain	4,103
16.	GEAR - Reverse idler	4,430
17.	BALL - Reverse gear shaft	4,433
18.	SHAFT - Reverse idler gear	4,433
19.	SHAFT - Main	4,403
20.	GEAR - Main shaft first speed	4,418
21.	SPRING - 1st & reverse synchronizer	4,383
22.	SYNCHRONIZER ASSY. - 1st & reverse	4,380
23.	RING - Locating	4,412
24.	BEARING - Main shaft rear	4,408
25.	RING - Retaining .086" - .088" thick	4,412
	.089" - .091" thick	4,412
	.092" - .094" thick	4,412
	.095" - .097" thick	4,412
26.	BOLT - Hex. hd.	8,900
27.	WASHER - Lock	8,931
28.	SEAL - Housing	4,317
29.	HOUSING - Extension	4,317
30.	GASKET - Extension housing	4,318
31.	GEAR - Speedometer drive	4,337
32.	PIN - Dowel	8,939
33.	SEAL - Shift shaft	4,309
34.	BOLT - Hex. hd.	8,900
35.	COVER	4,105
36.	GASKET - Cover	4,109
37.	CAM - 1st & reverse detent	4,311
38.	SPRING - Detent cam	4,311
39.	CAM - 2nd & 3rd detent	4,311
40.	RING - Detent cam retainer	4,311
41/42.	SHAFT & FORK - 2nd & 3rd shift	4,309
42.	FORK - 2nd & 3rd shift	4,303
43/44.	SHAFT & FORK - 1st & reverse shift	4,309
44.	FORK - 1st & reverse shift	4,304
45.	SPACER - Bearing	4,423
46.	GEAR - Counter	4,421
47.	BEARING PACKAGE - Counter gear	4,422
48.	WASHER - Bearing	4,423
49.	WASHER - Gear thrust	4,423
50.	SHAFT - Counter gear	4,428



TRANSMISSION MOUNTING

ILLUS. REF. NO.	PART NAME	GROUP	ILLUS. REF. NO.	PART NAME	GROUP
1.	ARRESTOR — Rear mounting	4.081	4.	REINFORCEMENT	4.081
2.	MOUNTING ASSEMBLY	4.081	5.	SPACER — Support to underbody	12.982
3.	SUPPORT — Engine rear mounting	12.982			



SPEEDOMETER DRIVE

ILLUS. REF. NO.	PART NAME	GROUP	ILLUS. REF. NO.	PART NAME	GROUP
1.	ADAPTOR - Drive right angle	4.337	5.	RETAINER	4.337
2.	"O" RING	4.338	6.	CABLE and CASING	4.342
3.	GEAR - Driven	4.337	7.	CLIP - Cable to floor pan	4.342
4.	GUIDE - Driven gear	4.337	8.	HOUSING - Trans. extension	4.317

NOTES

HOLDEN "LH" PARTS CATALOGUE

GROUP	DESCRIPTION	MODEL	SIDE	PART No.	QTY.
TRANSMISSION ASSEMBLY, THREE SPEED MANUAL CONTROL, FULLY SYNCHRONIZED					
Fitted only in LEFT HAND DRIVE vehicles					
4.003B TRANSMISSION	TRANSMISSION ASSY.	ALL		9930295	1
4.006B LEVER — Gearshift control	LEVER	ALL		9934376	1
4.007B TUBE — Gearshift control	TUBE ASSY.	ALL		9928846	1
	PIN	ALL		7429551	1
4.009B KNOB — Gearshift control lever	KNOB - Black	ALL		2813559BA	1
	KNOB - Dark Ash	VC		2813559DD	1
	KNOB - Chestnut	VC		2813559DG	1
	KNOB - Dark Grey	VC		2813559DS	1
	KNOB - Tan	VC		2813559DX	1
	KNOB - Covert	VC		2813559DY	1
4.017B SPRING — Gearshift	SPRING - Lower control	ALL		7433264	1
	SPRING - Selector return	ALL		2807897	1
4.018B SUPPORT — Gearshift control	SUPPORT	ALL	N47	9933745	1
	SPACER	ALL		9933746	1
	WASHER - Support	ALL		9933747	1
4.019B LEVER, RETAINER, ROD, TRUNNION, INSULATOR — Gearshift 2nd and 3rd shift	LEVER ASSY. - Lower	ALL		2813961	1
	RETAINER - Lower lever	ALL		2813176	1
	SPACER - Lower lever	ALL		2807707	1
	ROD ASSY. - Control	ALL		9929514	1
	TRUNNION - Control rod	ALL		2814030	1
	SLEEVE - Trunnion	ALL		2814031	1
	INSULATOR - Trunnion	ALL		2814033	1
	WASHER - Trunnion	ALL		1367656	1
	SCREW - Trunnion	ALL		SP2459	1
	RETAINER - Rod	ALL		3749084	1
4.020B LEVER, ROD, TRUNNION, SLEEVE, RETAINER — Gearshift 1st & reverse shift	LEVER - Lower	ALL		2813958	1
	ROD - Control	ALL		9929513	1
	TRUNNION - Control rod	ALL		2814030	1
	SLEEVE - Trunnion	ALL		2814031	1
	INSULATOR - Trunnion	ALL		2814033	1
	WASHER - Trunnion	ALL		1367656	1
	SCREW - Trunnion	ALL		SP2459	1
	RETAINER - Rod	ALL		3749084	1
4.046B LEVER — 2nd and 3rd shifter	LEVER - 2nd and 3rd external	ALL		9929549	1
	NUT	ALL		120369	1
4.050B LEVER — 1st and reverse	LEVER - 1st and reverse external	ALL		9929548	1
	NUT	ALL		120369	1

HOLDEN "LH" PARTS CATALOGUE

GROUP	DESCRIPTION	MODEL	SIDE	PART No.	QTY.
TRANSMISSION ASSEMBLY, THREE SPEED MANUAL CONTROL, FULLY SYNCHRONIZED					
Fitted only in LEFT HAND DRIVE vehicles					
4.081B	MOUNTING, ARRESTOR — Transmission support				
	MOUNTING ASSY.	ALL		7432235	1
	ARRESTOR - Rear mounting	ALL		7432222	1
	REINFORCEMENT	ALL		9928656	1
4.103B	CASE — Transmission				
	CASE	ALL		3293514	1
	PLUG - Transmission filler	ALL		103880	1
	PLUG - Transmission drain	ALL		444787	1
4.105B	COVER — Transmission				
	COVER	ALL		3293540	1
4.109B	GASKET - Transmission cover				
	GASKET	ALL		3293541	1
4.303B	FORK — Transmission shifter shaft 2nd and 3rd				
	FORK - 2nd and 3rd	ALL		3293547	1
4.304B	FORK — Transmission shifter shaft 1st and reverse				
	FORK - 1st and reverse	ALL		3293548	1
4.309B	SHAFT and FORK — Transmission shift				
	SHAFT & FORK ASSY. - 1st & reverse	ALL		3766603	1
	SHAFT & FORK ASSY. - 2nd & 3rd	ALL		3299051	1
	SEAL - Shift shaft	ALL		3831716	2
4.311B	CAM, SPRING — Transmission detent				
	CAM - 1st and reverse detent	ALL		3293542	1
	CAM - 2nd and 3rd detent	ALL		3293544	1
	RING - Detent cam retainer	ALL		3293545	1
	SPRING - Detent cam	ALL		3293543	1
	PIN - Detent cam	ALL		3299877	1
4.317B	HOUSING, ADAPTOR, BUSHING, SEAL — Transmission extension				
	HOUSING ASSEMBLY	ALL		9930297	1
	BUSHING - Housing	ALL		3717682	1
	SEAL - Housing	ALL		3293532	1
4.318B	GASKET — Transmission extension housing				
	GASKET	ALL		3293535	1
4.337B	GEAR, CLIP — Speedometer driven and drive				
	GEAR - Driven	6 Cyl. Eng. 3.08:1 A.R.		2808570	1
	GEAR - Driven	6 Cyl. Eng. 3.36:1 A.R.		3860346	1
	GEAR - Drive	ALL		3860345	1
	CLIP - Drive gear	ALL		1373122	1
	ADAPTOR - Drive right angle	ALL		9930602	1
	RETAINER - Adaptor	ALL		9936365	1
4.338B	GUIDE, SEAL — Speedometer driven gear				
	GUIDE	3.08:1 A.R.		2810247	1
	GUIDE	3.36:1 A.R.		3869914	1
	SEAL - "O" RING	ALL		3708146	1

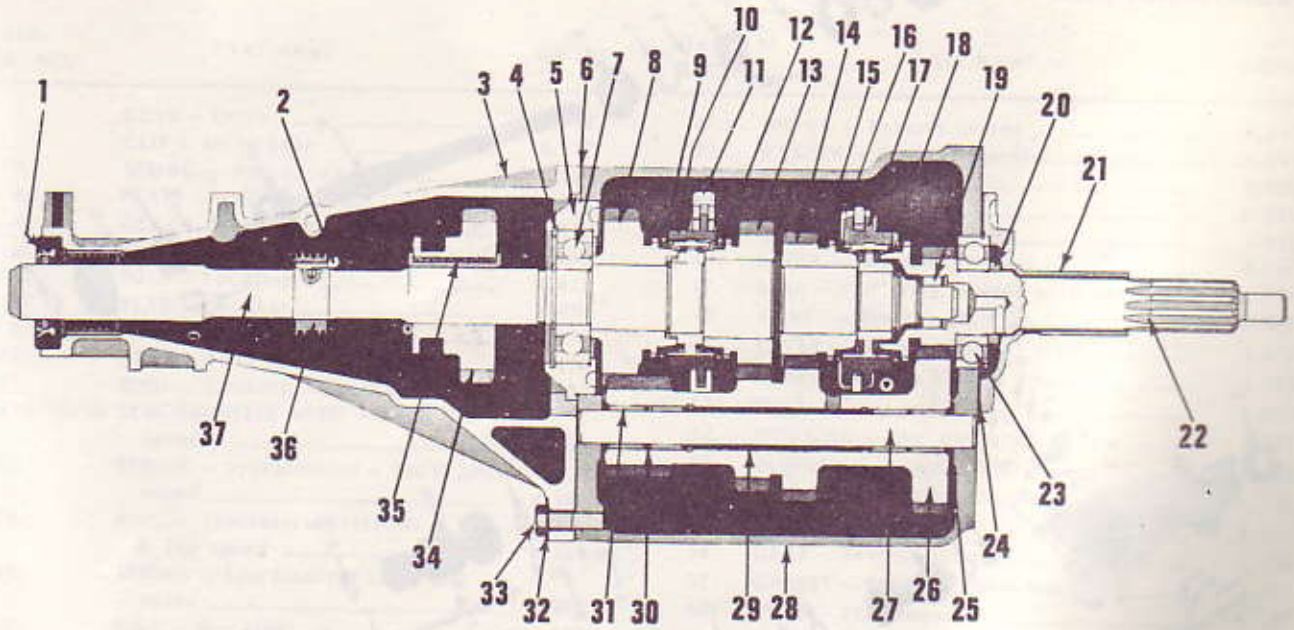
HOLDEN "LH" PARTS CATALOGUE

GROUP	DESCRIPTION	MODEL	SIDE	PART No.	QTY.
TRANSMISSION ASSEMBLY, THREE SPEED MANUAL CONTROL, FULLY SYNCHRONIZED					
Fitted only in LEFT HAND DRIVE vehicles					
4.342B	CABLE and CASING — Speedometer				
	CABLE and CASING	ALL		9980482	1
	CABLE KIT	ALL		VS12421	1
	CLIP - Cable to floor pan	ALL		7434452	1
4.351B	GEAR — Clutch				
	GEAR	ALL		3297018	1
4.352B	BEARING — Mainshaft front				
	BEARING - Needle roller	ALL		7400162	15
	BEARING PACKAGE	ALL		7449495	1
4.355B	BEARING— Clutch gear				
	BEARING	ALL		907927	1
4.356B	RETAINER — Clutch gear bearing				
	RETAINER	ALL		3741458	1
4.357B	NUT — Clutch gear bearing retainer				
	NUT	ALL		3293509	1
4.358B	GASKET — Clutch gear bearing retainer				
	GASKET	ALL		591022	1
4.376B	RING — Clutch gear bearing retainer				
	RING	ALL		590849	1
4.380B	SYNCHRONIZER — Transmission				
	SYNCHRONIZER ASSEMBLY - 1st and reverse	ALL		3293526	1
	SYNCHRONIZER ASSEMBLY - 2nd and 3rd	ALL		3293517	1
4.382B	RING — Transmission synchronizer retainer				
	RING - 2nd and 3rd synchro	ALL		3297015	1
4.383B	SPRING, RING — Transmission synchronizer				
	SPRING	ALL		3845202	4
	RING - Blocking	ALL		2765728	3
4.384B	KEY — Transmission synchronizer				
	KEY - 1st and reverse	ALL		2765797	3
	KEY - 2nd and 3rd	ALL		2765729	3
4.395B	GEAR — Mainshaft second speed				
	GEAR	ALL		3297019	1
4.403B	SHAFT — Transmission main				
	SHAFT	ALL		2765798	1
4.408B	BEARING — Mainshaft rear				
	BEARING ASSEMBLY	ALL		43207-S1376A	1

HOLDEN "LH" PARTS CATALOGUE

GROUP	DESCRIPTION	MODEL	SIDE	PART No.	QTY.
TRANSMISSION ASSEMBLY, THREE SPEED MANUAL CONTROL, FULLY SYNCHRONIZED					
Fitted only in LEFT HAND DRIVE vehicles					
4.412B	RING — Mainshaft bearing				
	RING - Locating	ALL		3707174	1
	RING - Retaining .086"-.088" thick	ALL		(* 3707188)	1
	RING - Retaining .089"-.091" thick	ALL		(* 3707189)	1
	RING - Retaining .092"-.094" thick	ALL		(* 3707190)	1
	RING - Retaining .095"-.097" thick	ALL		(* 3707191)	1
4.418B	GEAR — Mainshaft first speed				
	GEAR	ALL		3296941	1
4.421B	GEAR — Counter				
	GEAR	ALL		3293550	1
4.422B	BEARING — Counter gear				
	NEEDLE ROLLER	ALL		9414193	92
	BEARING PACKAGE	ALL		7449496	1
4.423B	WASHER — Counter shaft				
	WASHER - Bearing	ALL		3775063	6
	SPACER - Bearing	ALL		3293549	1
	WASHER - Gear thrust	ALL		3293553	1
4.428B	SHAFT — Counter gear				
	SHAFT	ALL		3299883	1
4.430B	GEAR — Reverse Idler				
	GEAR ASSEMBLY	ALL		3293520	1
4.433B	SHAFT, KEY — Reverse Idler gear				
	SHAFT	ALL		3293522	1
	BALL	ALL		3293521	1

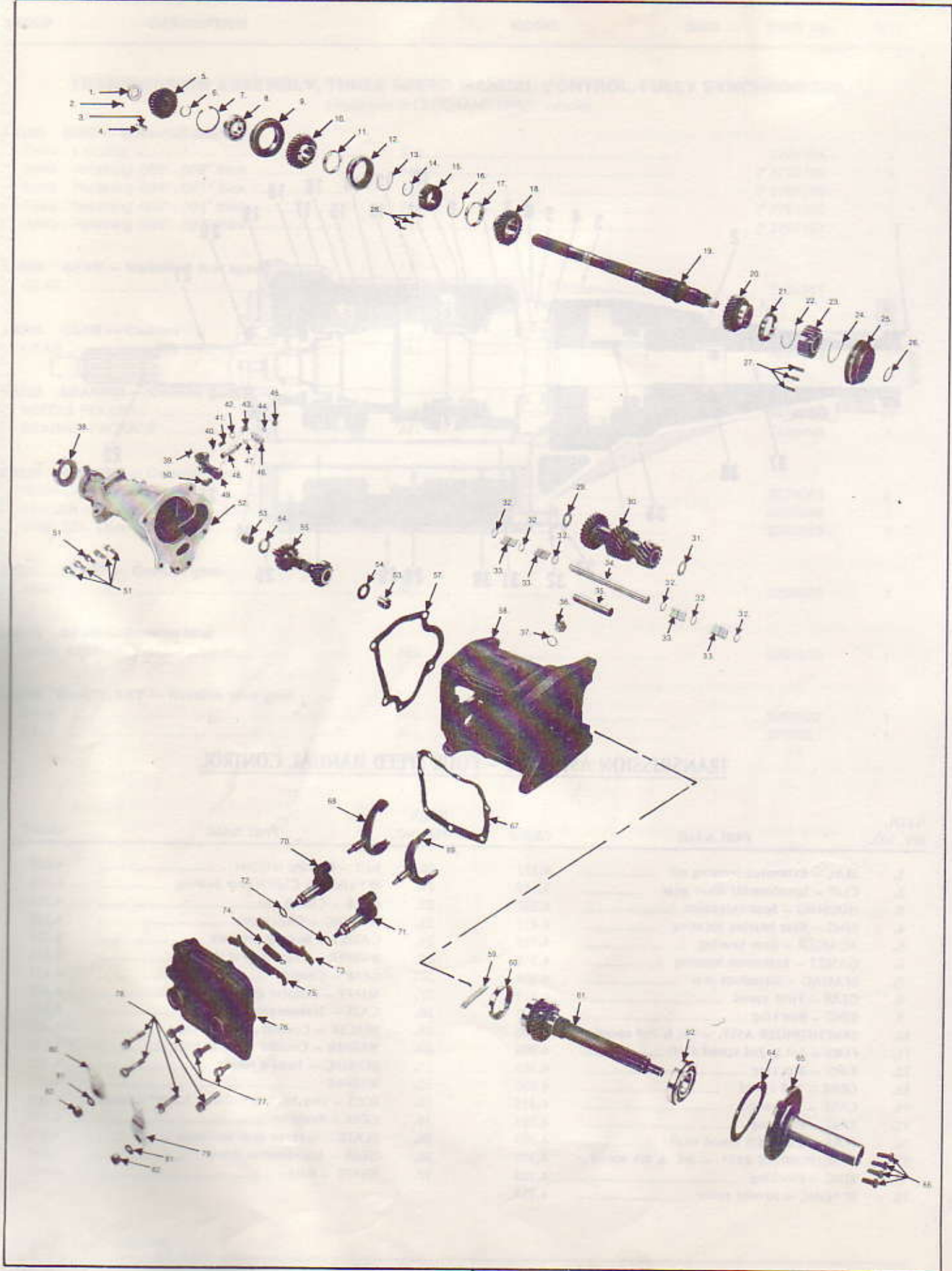
Note: (*) Selective fit.



TRANSMISSION ASSEMBLY – FOUR SPEED MANUAL CONTROL

ILLUS. REF. NO.	PART NAME	GROUP	ILLUS. REF. NO.	PART NAME	GROUP
1.	SEAL – Extension housing oil	4.317	20.	NUT – Bearing retainer	4.357
2.	CLIP – Speedometer drive gear	4.337	21.	RETAINER – Clutch gear bearing	4.356
3.	HOUSING – Rear extension	4.317	22.	GEAR – Clutch	4.351
4.	RING – Rear bearing locating	4.412	23.	BEARING – Clutch gear	4.355
5.	ADAPTOR – Rear bearing	4.317	24.	GASKET – Bearing retainer	4.358
6.	GASKET – Extension housing	4.318	25.	WASHER – Counter gear thrust	4.423
7.	BEARING – Mainshaft rear	4.408	26.	GEAR – Counter	4.421
8.	GEAR – First speed	4.418	27.	SHAFT – Counter gear	4.428
9.	RING – Blocking	4.383	28.	CASE – Transmission	4.103
10.	SYNCHRONIZER ASSY. – 1st & 2nd speed ..	4.380	29.	SPACER – Counter gear bearing	4.423
11.	FORK – 1st & 2nd speed shift	4.303	30.	WASHER – Counter shaft bearing	4.423
12.	RING – Blocking	4.383	31.	BEARING – Needle roller	4.422
13.	GEAR – 2nd speed	4.395	32.	WASHER	4.317
14.	GEAR – 3rd speed	4.415	33.	BOLT – Hex.hd.3/8" – 16 x 1.1/8" w/washer	8.900
15.	RING – Blocking	4.383	34.	GEAR – Reverse	4.418
16.	FORK – 3rd & 4th speed shift	4.303	35.	PLATE – Reverse gear anti-lash	4.419
17.	SYNCHRONIZER ASSY. – 3rd & 4th speed ..	4.380	36.	GEAR – Speedometer drive	4.337
18.	RING – Blocking	4.383	37.	SHAFT – Main	4.403
19.	BEARING – Needle roller	4.352			

HOLDEN "LH" PARTS CATALOGUE

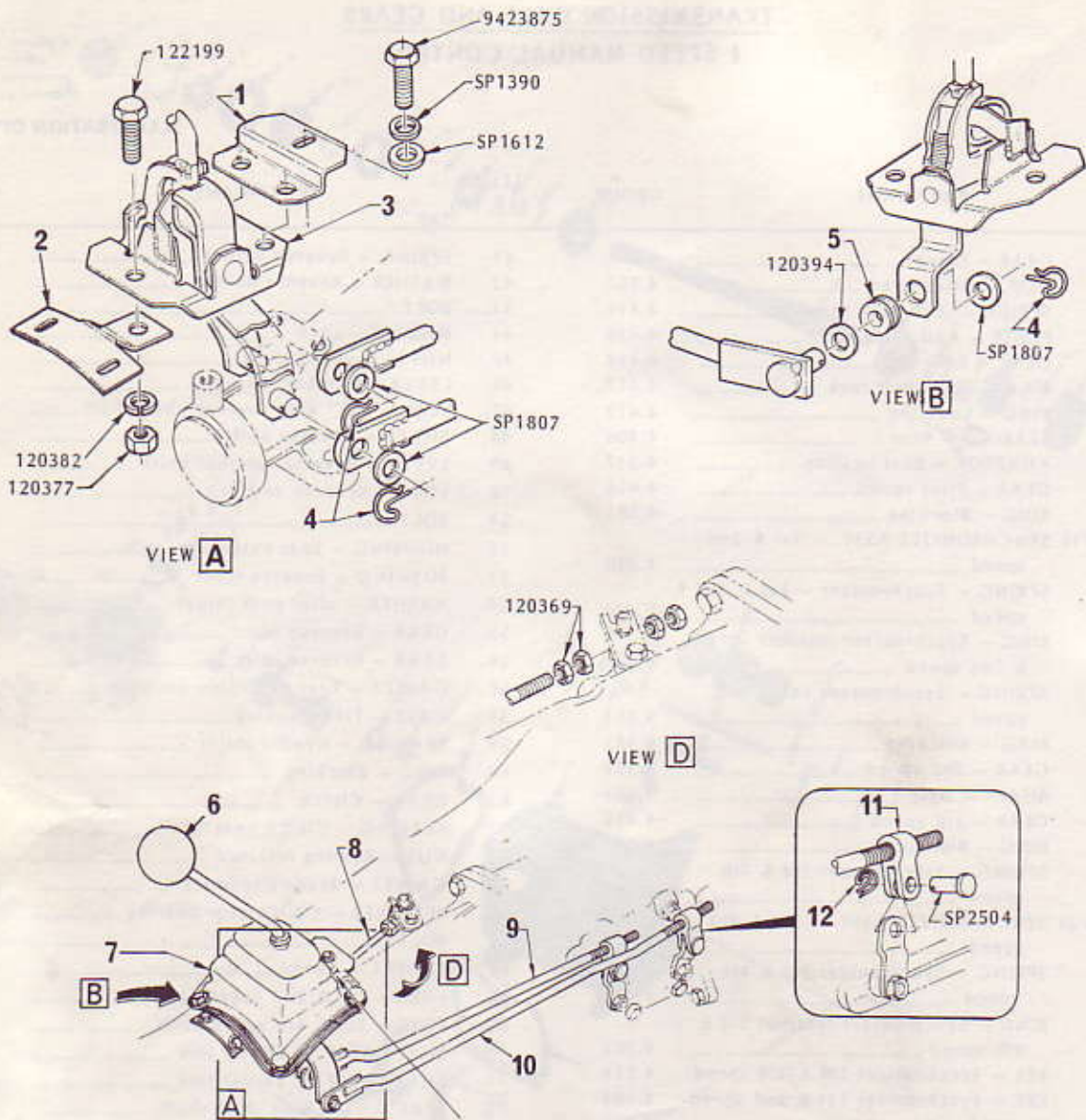


CHASSIS

TRANSMISSION CASE AND GEARS
4 SPEED MANUAL CONTROL

ILLUSTRATION OPPOSITE

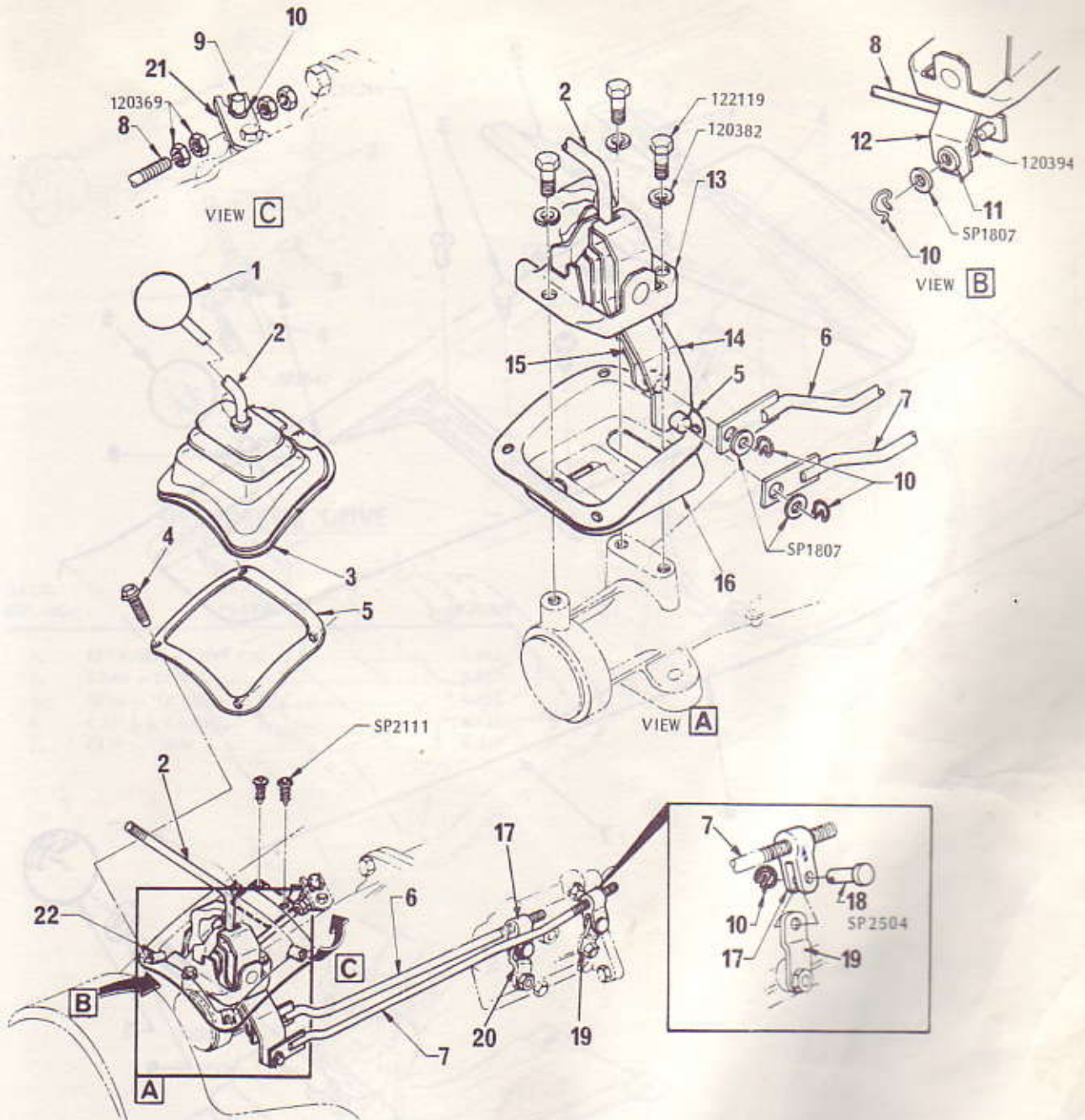
ILLUS. REF. NO.	PART NAME	GROUP	ILLUS. REF. NO.	PART NAME	GROUP
1.	GEAR - Drive	4.337	41.	SPRING - Reverse detent	4.311
2.	CLIP - Drive gear	4.337	42.	WASHER - Reverse detent	4.311
3.	SPRING - Anti lash plate	4.419	43.	BOLT	8.900
4.	PLATE - Anti lash	4.419	44.	WASHER - Lock	8.931
5.	GEAR - Reverse	4.418	45.	NUT - Lever to shaft	4.045
6.	RING - Mainshaft lock	4.412	46.	LEVER - Reverse, external	4.045
7.	RING - Locating	4.412	47.	SEAL - "O" Ring reverse shift shaft	4.309
8.	BEARING - Rear	4.408	48.	SHAFT - Reverse shift	4.309
9.	ADAPTOR - Rear bearing	4.317	49.	LEVER - Reverse internal shift	4.316
10.	GEAR - First speed	4.418	50.	YOKE - Reverse shifter	4.304
11.	RING - Blocking	4.383	51.	BOLT	8.900
12/13/15/16	SYNCHRONIZER ASSY. - 1st & 2nd speed	4.380	52.	HOUSING - Rear extension	4.317
13.	SPRING - Synchronizer - 1st & 2nd speed	4.383	53.	BUSHING - Reverse idler	4.433
14.	RING - Synchronizer retainer - 1st & 2nd speed	4.382	54.	WASHER - Idler gear thrust	4.432
16.	SPRING - Synchronizer 1st & 2nd speed	4.383	55.	GEAR - Reverse idler	4.430
17.	RING - Blocking	4.383	56.	GEAR - Reverse idler	4.430
18.	GEAR - 2nd speed	4.395	57.	GASKET - Rear extension housing	4.318
19.	SHAFT - Main	4.403	58.	CASE - Transmission	4.103
20.	GEAR - 3rd speed	4.415	59.	BEARING - Needle roller	4.352
21.	RING - Blocking	4.383	60.	RING - Blocking	4.383
22.	SPRING - Synchronizer 3rd & 4th speed	4.383	61.	GEAR - Clutch	4.351
22/23/24/25	SYNCHRONIZER ASSY. - 3rd & 4th speed	4.380	62.	BEARING - Clutch gear	4.355
24.	SPRING - Synchronizer 3rd & 4th speed	4.383	63.	NUT - Bearing retainer	4.357
26.	RING - Synchronizer retainer 3rd & 4th speed	4.382	64.	GASKET - Bearing retainer	4.358
27.	KEY - Synchronizer 3rd & 4th speed	4.384	65.	RETAINER - Clutch gear bearing	4.356
28.	KEY - Synchronizer 1st & 2nd speed	4.384	66.	BOLT	8.900
29.	WASHER - Gear thrust	4.423	67.	GASKET - Cover	4.109
30.	GEAR - Counter	4.421	68.	FORK - 1st & 2nd speed shift	4.303
31.	WASHER - Gear thrust	4.423	69.	FORK - 3rd & 4th speed shift	4.303
32.	WASHER - Counter shaft bearing	4.423	70.	SHAFT ASSY. - Shifter fork	4.309
33.	BEARING - Needle roller	4.422	71.	SHAFT ASSY. - Shifter fork	4.309
34.	SHAFT - Counter gear	4.428	72.	SEAL - "O" Ring shift shaft	4.309
35.	SPACER - Counter gear bearing	4.423	73.	CAM - 1st & 2nd speed detent	4.311
36.	PLUG - Filler	4.103	74.	SPRING - Detent cam	4.311
37.	GASKET - Filler plug	4.103	75.	CAM - 3rd & 4th speed detent	4.311
38.	SEAL - Extension housing oil	4.317	76.	COVER	4.105
39.	PIN	8.941	77.	BOLT	8.900
40.	BALL - Reverse detent	4.311	78.	BOLT	8.900
			79.	LEVER - 3rd & 4th speed shift	4.045
			80.	LEVER - 1st & 2nd speed shift	4.045
			81.	WASHER - Lock	8.931
			82.	NUT - Lever to shaft	4.045



TRANSMISSION CONTROL LINKAGE

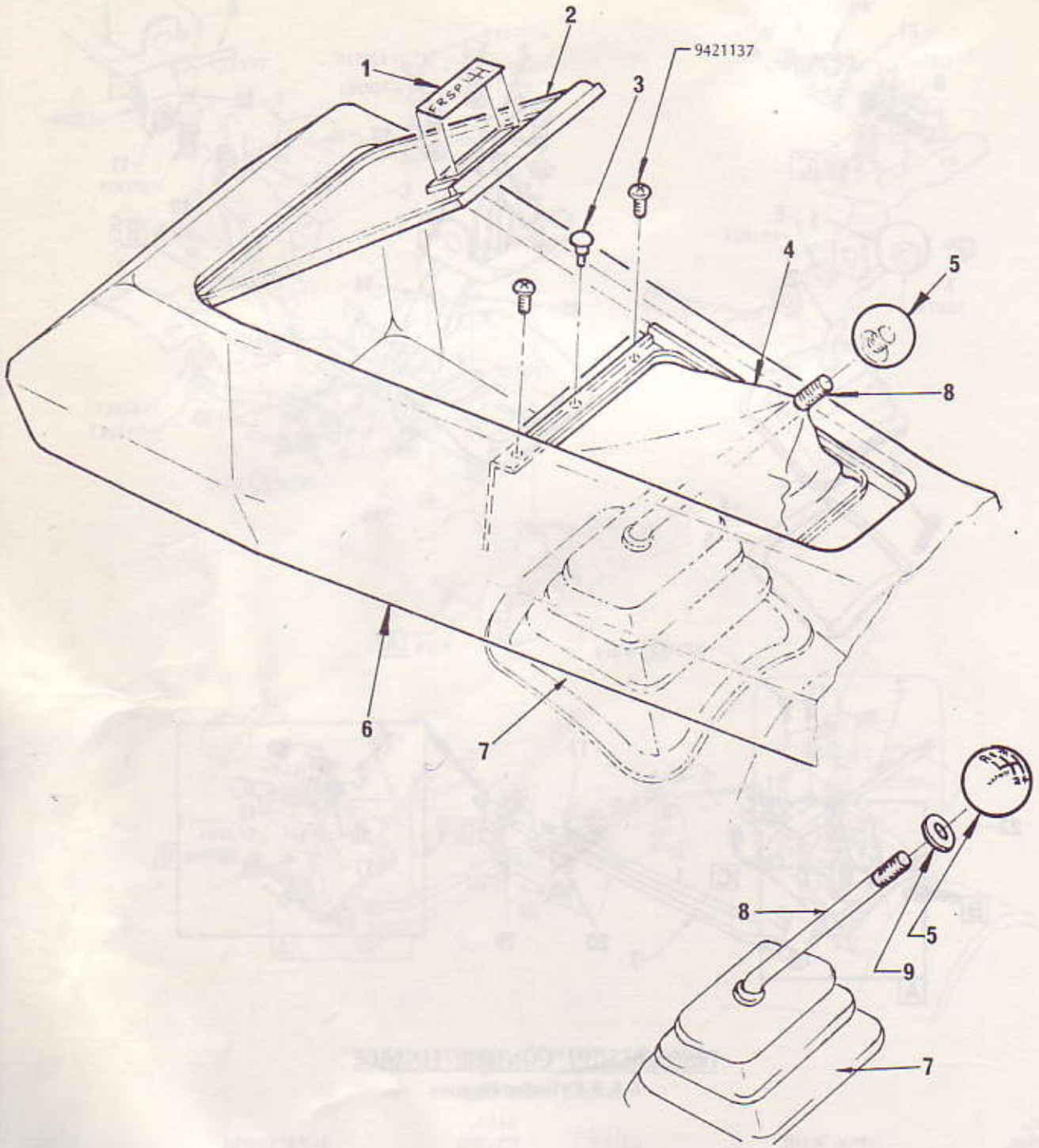
4 Cylinder Engine

ILLUS. REF. NO.	PART NAME	GROUP	ILLUS. REF. NO.	PART NAME	GROUP
1.	BRACKET - Front mounting	4.006	7.	BOOT - Floor pan	4.015
2.	BRACKET - Rear mounting	4.006	8.	ROD - Reverse	4.035
3.	MOUNTING & LEVER ASSY.	4.006	9.	ROD - 1st and 2nd speed	4.035
4.	RETAINER - Shifter rods	4.035	10.	ROD - 3rd and 4th speed	4.035
5.	INSULATOR	4.035	11.	ADJUSTER	4.035
6.	KNOB - Gearshift	4.009	12.	CLIP - Adjuster to shift lever	4.035



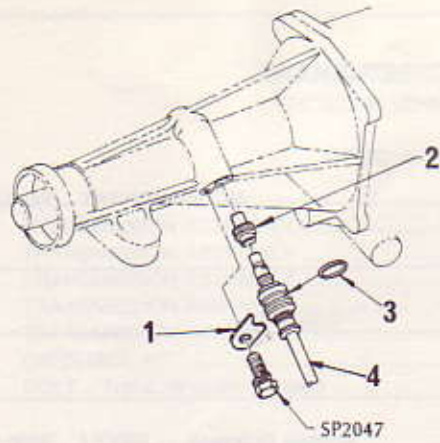
TRANSMISSION CONTROL LINKAGE
6 & 8 Cylinder Engines

ILLUS. REF. NO.	PART NAME	GROUP	ILLUS. REF. NO.	PART NAME	GROUP
1.	KNOB	4.009	13.	MOUNTING & LEVER ASSEMBLY	4.006
2.	LEVER & YOKE ASSEMBLY	4.006	14.	LEVER - 3rd & 4th shift	4.030
3.	BOOT - Floor pan	4.015	15.	LEVER - 1st & 2nd shift	4.030
4.	SCREW - Retainer to floor pan	4.015	16.	SEAL	4.015
5.	RETAINER - Floor pan boot	4.015	17.	ADJUSTER	4.035
6.	ROD - 1st & 2nd speed	4.035	18.	PIN - Adjuster	4.035
7.	ROD - 3rd & 4th speed	4.035	19.	LEVER - 3rd & 4th speed	4.045
8.	ROD - Reverse	4.035	20.	LEVER - 1st & 2nd speed	4.045
9.	TRUNNION - Reverse rod	4.035	21.	LEVER - Reverse speed	4.045
10.	RETAINER - Shifter rods	4.035	22.	NUT - Retainer screw	4.015
11.	INSULATOR	4.035			
12.	LEVER - Reverse shift	4.030			



TRANSMISSION CONTROL

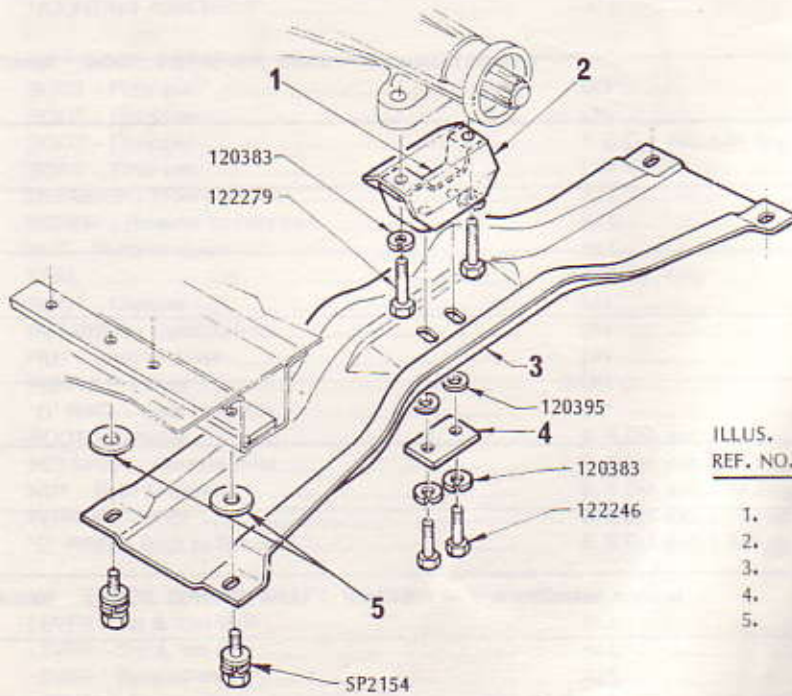
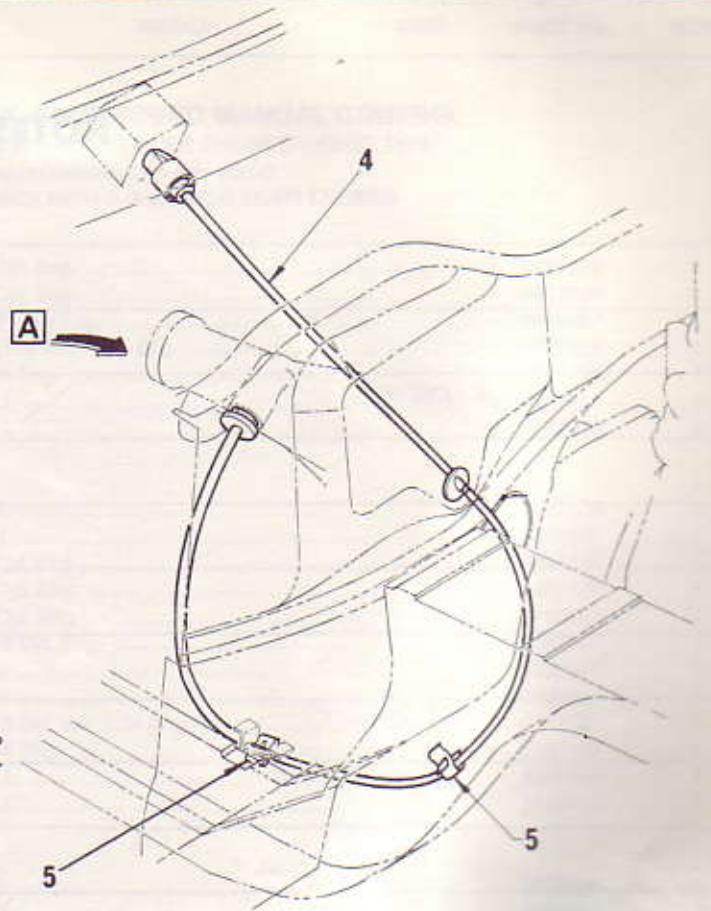
ILLUS. REF. NO.	PART NAME	GROUP	ILLUS. REF. NO.	PART NAME	GROUP
1.	INSERT - Manual gearshift pattern	15.292	6.	HOUSING	15.290
2.	LID ASSEMBLY	15.292	7.	BOOT - Floor pan	4.015
3.	BUMPER - Lid	15.292	8.	LEVER & YOKE ASSEMBLY	4.006
4.	BOOT - Console	4.015	9.	NUT	4.009
5.	KNOB	4.009			



VIEW **A**

SPEEDOMETER DRIVE

ILLUS. REF. NO.	PART NAME	GROUP
1.	RETAINER – Drive end	4.342
2.	GEAR – Driven	4.337
3.	SEAL – 'O' Ring	4.338
4.	CABLE & CASING	4.342
5.	CLIP – Cable	4.342



TRANSMISSION MOUNTING

ILLUS. REF. NO.	PART NAME	GROUP
1.	ARRESTOR	4.081
2.	MOUNTING ASSEMBLY	4.081
3.	SUPPORT – Engine rear mounting	12.982
4.	REINFORCEMENT	4.081
5.	SPACER – Support to underbody	12.982

HOLDEN "LH" PARTS CATALOGUE

GROUP	DESCRIPTION	MODEL	SIDE	PART No.	QTY.
TRANSMISSION ASSEMBLY, FOUR SPEED MANUAL CONTROL					
FITTED IN VEHICLES EQUIPPED WITH 4 CYLINDER ENGINES - FIRST TYPE (Shift mechanism on transmission side plate)					
FITTED IN VEHICLES EQUIPPED WITH 6 AND 8 CYLINDER ENGINES					
4.003F TRANSMISSION					
	TRANSMISSION ASSEMBLY	4 Cyl. Eng.		9937028	1
	TRANSMISSION ASSEMBLY	6 Cyl. Eng.		9937026	1
	TRANSMISSION ASSEMBLY	4.2 Litre Eng.		9937027	1
	TRANSMISSION ASSEMBLY	5 Litre exc. L34 Eng.		9937029	1
	TRANSMISSION ASSEMBLY	L34 Eng.		9937408	1
	OVERHAUL KIT	ALL	MJ38312	M87557	1
	BOLT - Trans. to clutch housing	ALL		SP2029	4
4.006F LEVER - Gearshift control					
	MOUNTING & LEVER ASSEMBLY	UG	2	9937338	1
	MOUNTING & LEVER ASSEMBLY	UH		9937337	1
	BRACKET - Front	4 Cyl. Eng.		9937125	1
	BRACKET - Rear	4 Cyl. Eng.		9937126	1
	BOLT - Mounting to floor	4 Cyl. Eng.		9423875	3
	MOUNTING & LEVER ASSEMBLY	6, 8 Cyl. Eng.		9937337	1
	LEVER & YOKE ASSEMBLY	UG		9937392	1
	LEVER & YOKE ASSEMBLY	UH		9937391	1
	LEVER & YOKE ASSEMBLY	6, 8 Cyl. exc. L34 Eng.	7744923	9937391	1
	LEVER & YOKE ASSEMBLY	L34 Eng.		9937392	1
	BUSHING - Control lever	ALL		9937336	1
	SPRING - Lever & yoke pre-load	ALL		2822917	1
4.009F KNOB - Gearshift control lever					
	KNOB	UG		2817736	1
	NUT - Knob lock	UG		2805499	1
	KNOB	UH		2817737	1
	KNOB	6, 8 Cyl. exc. L34 Eng.		2817737	1
	KNOB	L34 Eng.		2817736	1
	NUT - Knob lock	L34 Eng.		2805499	1
4.010F MOUNTING - Gearshift control lever					
	MOUNTING ASSEMBLY	ALL		2814941	1
4.015F BOOT, RETAINER, SEAL - Gearshift control					
	BOOT - Floor pan	UG	9944863	2811342	1
	BOOT - Floor pan	UH		9936770	1
	BOOT - Floor pan	6, 8 Cyl. exc. L34 Eng.	9904163	9936770	1
	BOOT - Floor pan	L34 Eng.		2811342	1
	RETAINER - Floor pan boot	ALL		2811344	1
	SCREW - Retainer to floor pan	ALL		SP2211	4
	NUT - Retainer screw	ALL		SP2024	4
	SEAL	6, 8 Cyl. Eng.		9930616	1
	BOOT - Console	UH		2817276	1
	RETAINER - Console boot	UH		2816967	1
	NUT - Boot to cover	UH		SP1534	7
	FERRULE - Boot	UH		2818652	1
	'O' RING - Boot to ferrule	UH		SP2216	1
	BOOT - Console	6, 8 Cyl. exc. L34 Eng.		2817276	1
	RETAINER - Console boot	6, 8 Cyl. exc. L34 Eng.		2816967	1
	NUT - Boot to cover	6, 8 Cyl. exc. L34 Eng.		SP1534	7
	FERRULE - Boot	6, 8 Cyl. exc. L34 Eng.		2818652	1
	'O' RING - Boot to ferrule	6, 8 Cyl. exc. L34 Eng.		SP2216	1
4.030F LEVER, SPRING, SHAFT, WASHER - Transmission control					
	LEVER - 1st & 2nd shift	ALL		2811327	1
	LEVER - 3rd & 4th shift	ALL		2811328	1
	LEVER - Reverse shift	ALL		2811329	1
	SPRING - Reverse lockout	ALL		2819001	1

HOLDEN "LH" PARTS CATALOGUE

GROUP	DESCRIPTION	MODEL	SIDE	PART No.	QTY.
TRANSMISSION ASSEMBLY, FOUR SPEED MANUAL CONTROL					
FITTED IN VEHICLES EQUIPPED WITH 4 CYLINDER ENGINES - FIRST TYPE (Shift mechanism on transmission side plate)					
FITTED IN VEHICLES EQUIPPED WITH 6 AND 8 CYLINDER ENGINES					
4.030F	LEVER, SPRING, SHAFT, WASHER — Transmission control (contd.)				
	SLEEVE - Reverse lockout spring	ALL		2820682	1
	SHAFT - Control lever	ALL		2814806	1
	WASHER - Shaft retainer	6, 8 Cyl. Eng.		SP2178	1
	WASHER - 3rd & 4th shift lever pre-load	ALL		2814887	1
4.035F	ROD, CLAMP, TRUNNION, RETAINER — Transmission shifter				
	ROD - 1st & 2nd speed	4 Cyl. Eng.		9933358	1
	ROD - 1st & 2nd speed	6, 8 Cyl. Eng.		9932306	1
	ADJUSTER - 1st & 2nd speed rod	ALL		2806521	1
	PIN - Adjuster to lever	ALL		SP2504	1
	RETAINER - Pin	ALL		3749084	1
	ROD - 3rd & 4th speed	4 Cyl. Eng.		9933359	1
	ROD - 3rd & 4th speed	6, 8 Cyl. Eng.		9932307	1
	ADJUSTER - 3rd & 4th speed rod	ALL		2806521	1
	PIN - Adjuster to lever	ALL		SP2504	1
	RETAINER - Pin	ALL		3749084	1
	ROD - Reverse	4 Cyl. Eng.		9929961	1
	ROD - Reverse	6, 8 Cyl. Eng.		2811024	1
	TRUNNION - Reverse rod	ALL		2812082	1
	RETAINER - Trunnion	ALL		3749084	1
	INSULATOR	ALL		7418439	1
	RETAINER - Shifter rods to control levers	ALL		3749084	3
4.045F	LEVER - Transmission shifter shaft				
	LEVER - 1st & 2nd speed	ALL	NLA	9932304	1
	LEVER - 3rd & 4th speed	ALL		9932305	1
	LEVER - Reverse speed	ALL		2811032	1
	NUT - Levers to shaft	ALL		7417652	3
4.061F	MOUNTING — Transmission support				
	MOUNTING ASSEMBLY	4 Cyl. Eng.	03+32809	(2825736)	1
	MOUNTING ASSEMBLY	6 Cyl. Eng.		7432235	1
	MOUNTING ASSEMBLY	8 Cyl. exc. L34 Eng.		7432235	1
	MOUNTING ASSEMBLY	L34 Eng.		2806617	1
	ARRESTOR	6, 8 Cyl. Eng.		7432222	1
	REINFORCEMENT	4 Cyl. Eng.		2825365	1
	REINFORCEMENT	6 Cyl. Eng.		9928656	1
	SPACER - Mounting	4 Cyl. Eng.		9933935	2
	RESTRICTOR - Mounting	4 Cyl. Eng.		9939447	1
	NUT - Mounting to support	4 Cyl. Eng.		2064229	2
4.103F	CASE — Transmission				
	CASE ASSEMBLY	ALL		2829795	1
	PLUG - Transmission filler (3/4" - 16)	ALL		7400181	1
	GASKET - Filler plug (3/4" annular)	ALL		113897	1
4.105F	COVER — Transmission				
	COVER	ALL		7433771	1
	BOLT - Cover to case	ALL		SP2141	4
4.109F	GASKET — Transmission cover				
	GASKET	ALL		7433769	1
4.303F	FORK — Transmission shifter				
	FORK - 1st & 2nd speed	ALL		2813506	1
	FORK - 3rd & 4th speed	ALL		7433775	1

HOLDEN "LH" PARTS CATALOGUE

GROUP	DESCRIPTION	MODEL	SIDE	PART No.	QTY.
TRANSMISSION ASSEMBLY, FOUR SPEED MANUAL CONTROL					
FITTED IN VEHICLES EQUIPPED WITH 4 CYLINDER ENGINES - FIRST TYPE (Shift mechanism on transmission side plate)					
FITTED IN VEHICLES EQUIPPED WITH 6 AND 8 CYLINDER ENGINES					
4.304F	YOKE — Reverse shifter				
	YOKE	ALL		2809727	1
4.309F	SHAFT, SEAL — Transmission shifter				
	SHAFT - 1st & 2nd, 3rd & 4th	ALL		7433869	2
	SEAL - Shift shaft, "O" ring $\frac{3}{16}$ " x $\frac{3}{32}$ "	ALL		7430136	2
	SHAFT - Reverse shift	ALL		2813514	1
	SLEEVE - Reverse shift shaft	ALL		2813520	1
	SEAL - Reverse shift shaft "O" ring $\frac{3}{16}$ " x $\frac{3}{32}$ "	ALL		2809290	1
4.311F	CAM, PIN, SPRING, BALL — Transmission detent				
	CAM - 1st & 2nd speed	ALL		2813501	1
	CAM - 3rd & 4th speed	ALL		2813511	1
	PIN - Detent cam	ALL		SP2094	1
	SPRING - Detent cam	ALL		7433927	1
	BALL - Reverse shift lever detent ($\frac{3}{16}$ " dia.)	ALL		147489	1
	SPRING - Reverse lever detent ball	ALL		2813527	1
	WASHER - Reverse detent	ALL		2813521	2
4.316F	LEVER — Reverse internal shifter				
	LEVER	ALL		2809600	1
4.317F	HOUSING, BUSHING, ADAPTOR, SEAL — Transmission extension				
	HOUSING ASSEMBLY	ALL		2813504	1
	ADAPTOR - Transmission rear bearing	ALL		2813513	1
	BUSHING - Housing	ALL		3717682	1
	SEAL - Housing	ALL		3871649	1
	WASHER - Housing to case	ALL	DLA	7408256	1
4.318F	GASKET — Transmission extension housing				
	GASKET	ALL		2813507	1
4.337F	GEAR — Speedometer driven and drive				
	GEAR - Driven - 24 teeth - Yellow	4 Cyl. Eng. 3.55: 1 A.R.		7430972	1
	GEAR - Driven - 23 teeth - Red	4 Cyl. Eng. 3.90: 1 A.R.		7430971	1
	GEAR - Driven - 24 teeth - Yellow	4 Cyl. Eng. 3.90: 1 A.R.		7430972	1
	GEAR - Driven - 23 teeth - Red	6 Cyl. Eng. 3.36: 1 A.R.		7430971	1
	GEAR - Driven - 21 teeth - Green	6 Cyl. Eng. 3.08: 1 A.R.		7430969	1
	GEAR - Driven - 19 teeth - Pink	8 Cyl. exc. L34 Eng. 2.78: 1 A.R.		7430967	1
	GEAR - Driven - 21 teeth - Green	8 Cyl. exc. L34 Eng. 3.08: 1 A.R.		7430969	1
	GEAR - Driven - 20 teeth - White	L34 Eng. 2.78: 1 A.R.		7430968	1
	GEAR - Driven - 22 teeth - Dark Blue	L34 Eng. 3.08: 1 A.R.		7430970	1
	GEAR - Drive	4 Cyl. Eng.		9928570	1
	GEAR - Drive	6, 8 Cyl. exc. L34 Eng.		5258493	1
	GEAR - Drive	L34 Eng.		5258494	1
	CLIP - Drive gear	ALL		1373122	1
4.338F	SEAL — Speedometer driven gear				
	SEAL - "O" ring ($\frac{3}{16}$ " 10 x $\frac{1}{8}$ ")	ALL		7430921	1
4.342F	CABLE and CASING — Speedometer				
	CABLE & CASING	4 Cyl. Eng.		9930087	1
	CABLE & CASING	6, 8 Cyl. Eng.	RIGHT HAND DRIVE	2824566	1
			LEFT HAND DRIVE	9930480	1
	CABLE KIT	4 Cyl. Eng.		VS12448	1
	CABLE KIT	6, 8 Cyl. Eng.	RIGHT HAND DRIVE	VS12415	1
			LEFT HAND DRIVE	VS12419	1
	CLIP - Cable to floor pan		RIGHT HAND DRIVE	7434452	1

HOLDEN "LH" PARTS CATALOGUE

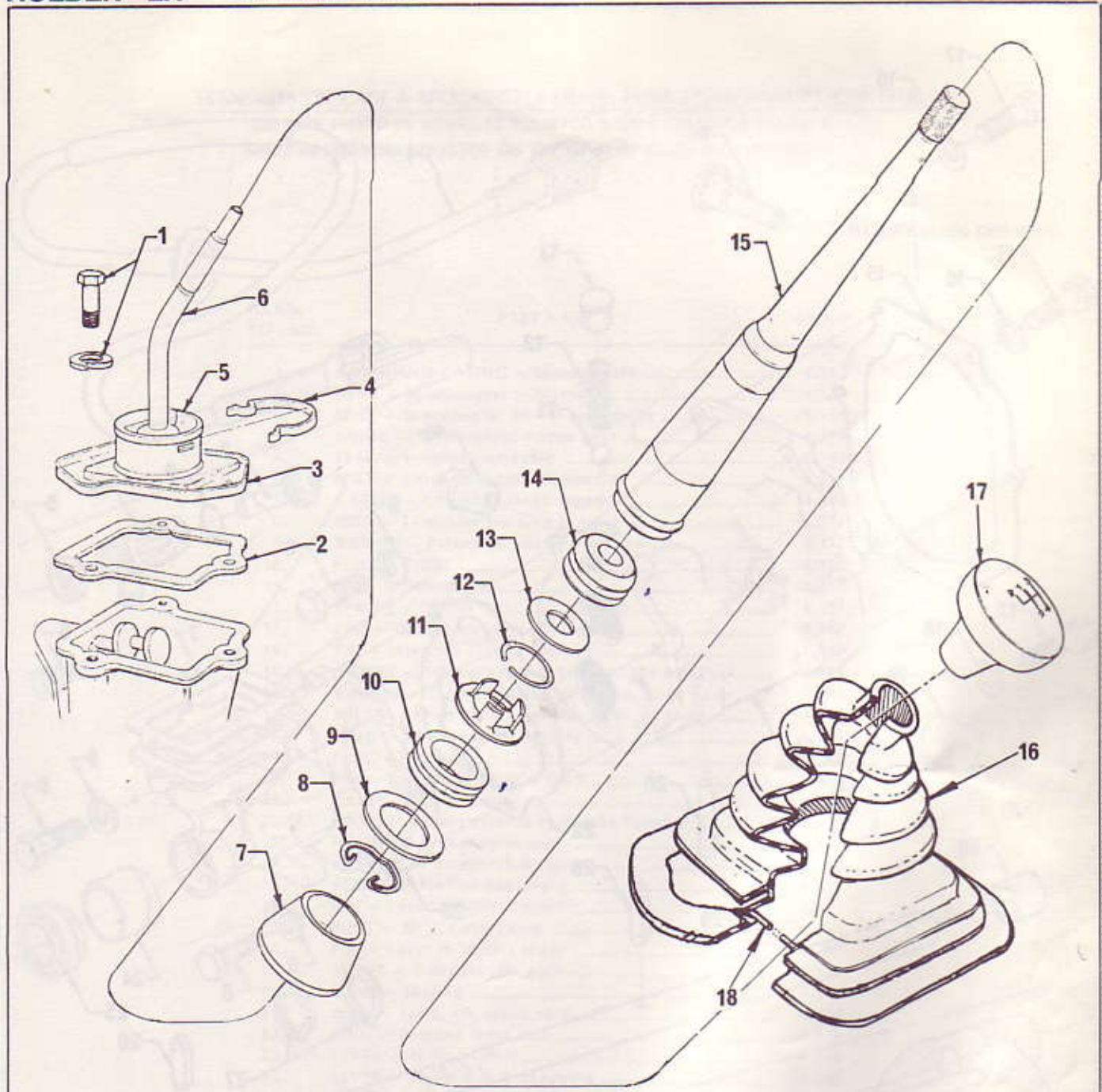
GROUP	DESCRIPTION	MODEL	SIDE	PART No.	QTY.
TRANSMISSION ASSEMBLY, FOUR SPEED MANUAL CONTROL					
FITTED IN VEHICLES EQUIPPED WITH 4 CYLINDER ENGINES - FIRST TYPE (Shift mechanism on transmission side plate)					
FITTED IN VEHICLES EQUIPPED WITH 6 AND 8 CYLINDER ENGINES					
4.342F	CABLE and CASING — Speedometer (contd.)				
	CLIP - Cable to side member	ALL		SP1885	1
	RETAINER - Drive end	ALL		7430917	1
	SEAL - Cable	ALL		7434266	1
	RETAINER - Seal (nylon)	ALL		2817874	1
4.351F	GEAR — Clutch				
	GEAR	4, 6 Cyl. Eng.		9930923	1
	GEAR	4.2 Litre Eng.		9930925	1
	GEAR	5 Litre exc. L34 Eng.		9930924	1
	GEAR	L34 Eng.		9939483	1
4.352F	BEARING — Main shaft front				
	BEARING - Needle roller	ALL		7400162	15
	BEARING PACKAGE	ALL		7449495	1
4.354F	SEAL — Clutch gear oil				
	SEAL ASSEMBLY	ALL		3987936	1
4.355F	BEARING — Clutch gear				
	BEARING	ALL		7429999	1
4.356F	RETAINER — Clutch gear bearing				
	RETAINER	4 Cyl. Eng.		9930911	1
	RETAINER	6 Cyl. Eng.		9930909	1
	RETAINER	8 Cyl. Eng.		9930910	1
4.358F	GASKET — Clutch gear bearing retainer				
	GASKET	ALL		591022	1
4.376F	RING — Clutch gear bearing retainer				
	RING - .088" thick	ALL		(* 3775052	1
	RING - .094" thick	ALL		(* 3775050	1
4.380F	SYNCHRONIZER — Transmission				
	SYNCHRONIZER ASSEMBLY - 1st & 2nd speed ...	ALL		2813515	1
	SYNCHRONIZER ASSEMBLY - 3rd & 4th speed ...	ALL		7435044	1
4.382F	RING — Transmission synchronizer retainer				
	RING - 1st & 2nd speed	ALL		7429966	1
	RING - 3rd & 4th speed	ALL		3775089	1
4.383F	SPRING, RING — Transmission synchronizer				
	SPRING - 1st & 2nd speed	ALL		7437055	2
	SPRING - 3rd & 4th speed	ALL		7438527	2
	RING - Blocking	ALL		80 7434978 0	4
4.384F	KEY — Transmission synchronizer				
	KEY	ALL		7435043	6
4.395F	GEAR — Second speed				
	GEAR	ALL		2813490	1

Note: (*) Selective fit.

CHASSIS

HOLDEN "LH" PARTS CATALOGUE

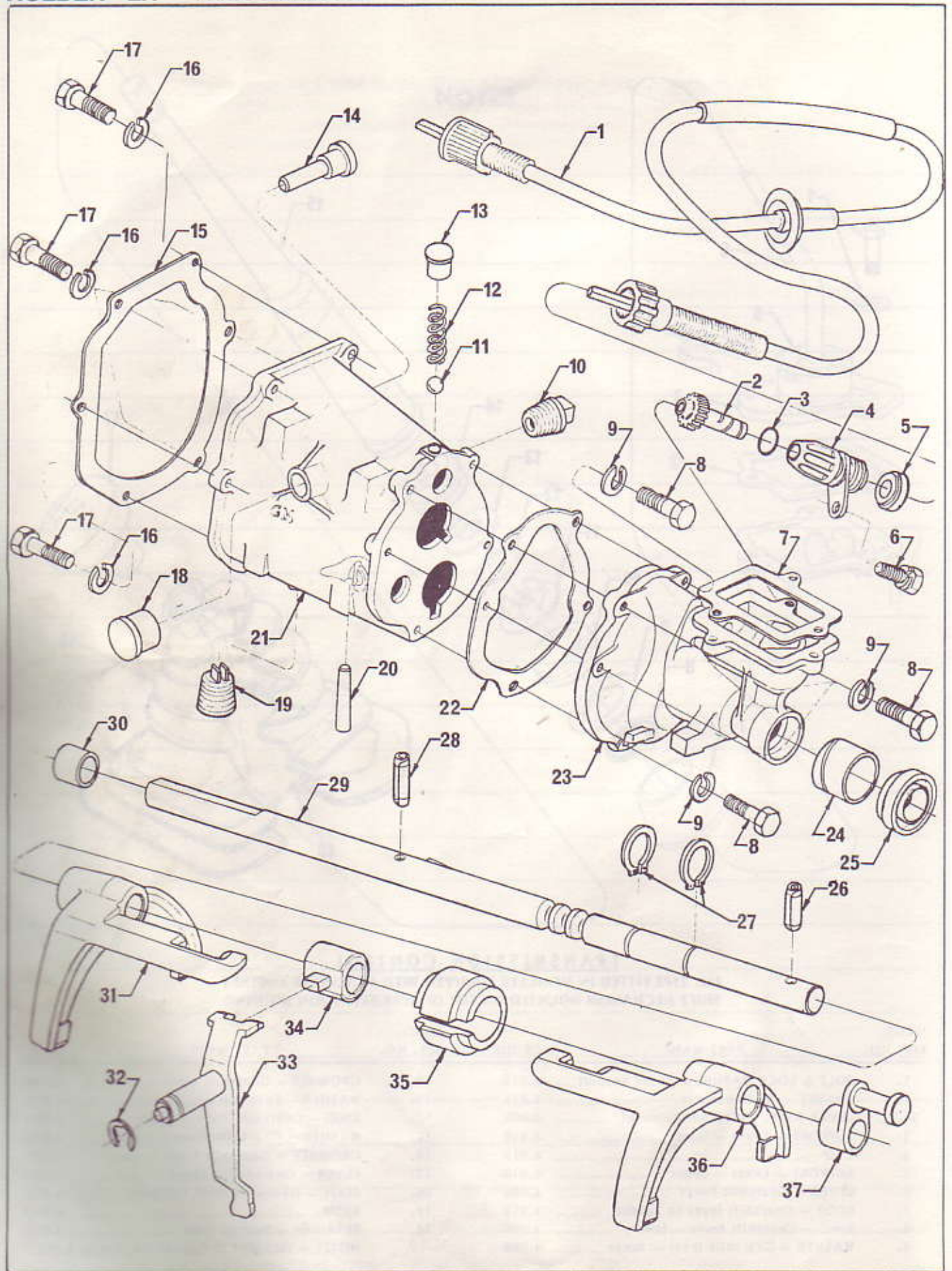
GROUP	DESCRIPTION	MODEL	SIDE	PART No.	QTY.
TRANSMISSION ASSEMBLY, FOUR SPEED MANUAL CONTROL					
FITTED IN VEHICLES EQUIPPED WITH 4 CYLINDER ENGINES - FIRST TYPE (Shift mechanism on transmission side plate)					
FITTED IN VEHICLES EQUIPPED WITH 6 AND 8 CYLINDER ENGINES					
4.403F	SHAFT — Transmission main				
	SHAFT	ALL		2813493	1
4.408F	BEARING — Mainshaft rear				
	BEARING ASSEMBLY	ALL		7433929	1
4.412F	RING — Transmission bearing				
	RING - Locating	ALL		2809457	1
	RING - Main shaft lock	ALL		3707189	1
4.415F	GEAR — Third speed				
	GEAR	Exc. 5 Litre Eng.		2813491	1
	GEAR	5 Litre Eng.		2813492	1
4.418F	GEAR — Mainshaft first speed, reverse				
	GEAR - 1st speed	ALL		2813489	1
	GEAR - Reverse	4, 6 Cyl. Eng.		2813525	1
	GEAR - Reverse	8 Cyl. Eng.		2813500	1
4.419F	PLATE, SPRING — Reverse gear anti-lash				
	PLATE	4, 6 Cyl. Eng.		2813517	1
	SPRING	4, 6 Cyl. Eng.		2813522	1
4.421F	GEAR — Counter				
	GEAR	4, 6 Cyl., 4.2 Litre Eng.		2813496	1
	GEAR	5 Litre exc. L34 Eng.		2813497	1
	GEAR	L34 Eng.		9939484	1
4.422F	BEARING — Counter gear				
	BEARING - Needle roller	ALL		9414193	92
	BEARING PACKAGE	ALL		7449496	1
4.423F	WASHER, SPACER — Counter shaft				
	WASHER - Bearing	ALL		3775063	6
	SPACER - Bearing	ALL		7433928	1
	WASHER - Gear thrust	ALL		7433776	2
4.428F	SHAFT — Counter gear				
	SHAFT	ALL		3775061	1
4.430F	GEAR — Reverse idler				
	GEAR	ALL		2825988	1
4.432F	WASHER — Reverse idler thrust				
	WASHER	ALL		2813519	2
4.433F	BUSHING — Reverse idler gear				
	BUSHING - Reverse idler to transmission case and extension housing	ALL		2820528	2



TRANSMISSION CONTROL

2nd. TYPE FITTED IN VEHICLES EQUIPPED WITH 4 CYLINDER ENGINES
SHIFT MECHANISM MOUNTED ON TOP OF REAR EXTENSION HOUSING

ILLUS. REF. NO.	PART NAME	GROUP	ILLUS. REF. NO.	PART NAME	GROUP
1.	BOLT & LOCK WASHER - Lever support	4.010	10.	GROMMET - Gearshift lever - lower	4.008
2. 1A	GASKET - Lever support	4.011	11.	WASHER - Lever lock	4.008
3-17.	LEVER ASSY. - Gearshift control	4.006	12.	RING - Gearshift lever - upper	4.008
3.	SUPPORT - Lever - lower	4.010	13.	WASHER - Gearshift lever - upper	4.008
4.	CLIP	4.010	14.	GROMMET - Gearshift lever - upper ..	4.008
5.	SUPPORT - Lever - upper	4.010	15.	LEVER - Gearshift - upper	4.006
6.	LEVER - Gearshift lower	4.006	16.	BOOT - Gearshift lever to floor	4.015
7.	BOOT - Gearshift lever to support	4.015	17.	KNOB	4.009
8.	RING - Gearshift lever - lower	4.008	18.	RETAINER - Boot to floor	4.015
9.	WASHER - Gearshift lever - lower	4.008		NOTE: 1A Included in Gasket Kit, Group 4.005	



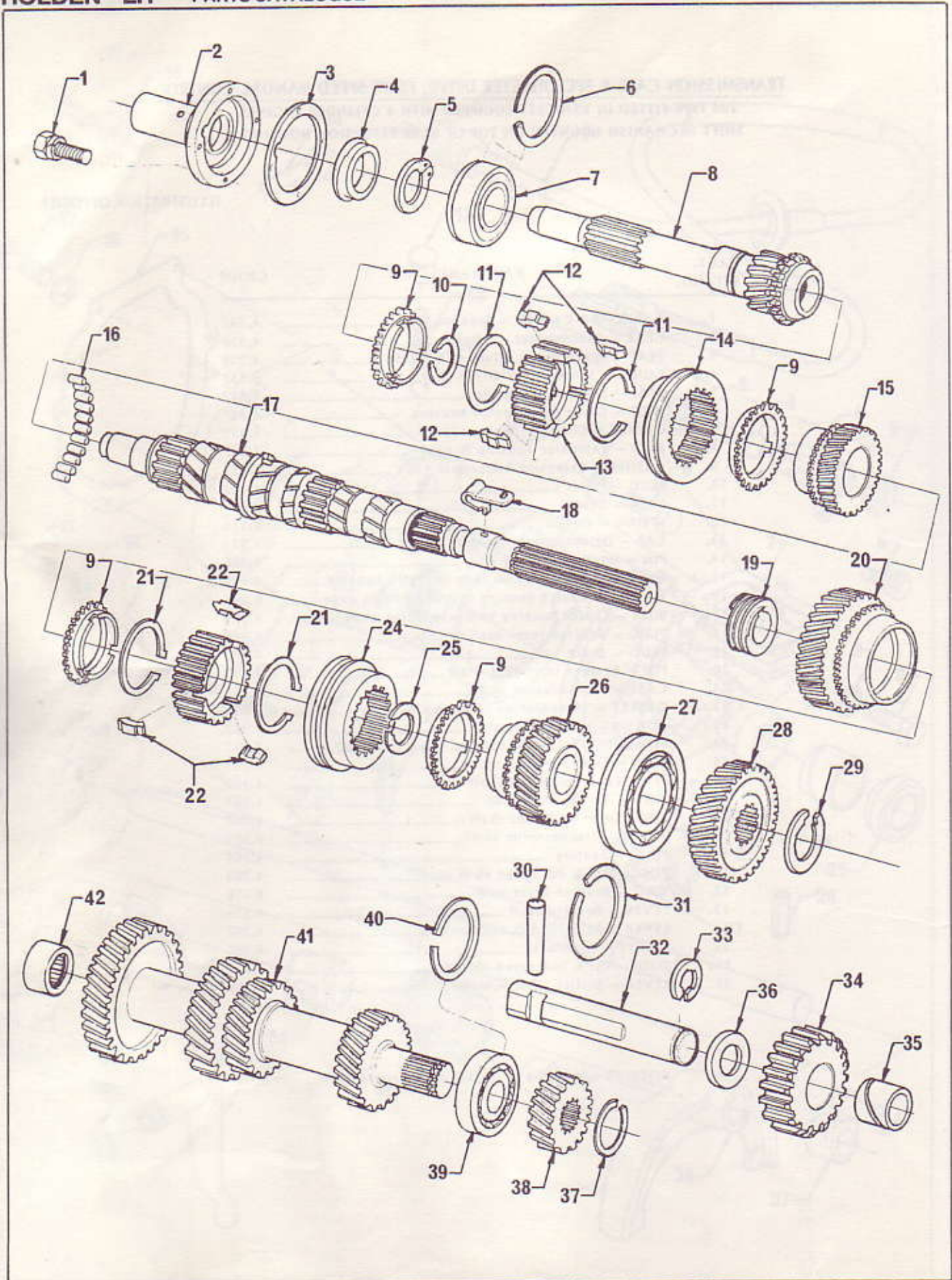
TRANSMISSION CASE & SPEEDOMETER DRIVE, FOUR SPEED MANUAL CONTROL

2nd TYPE FITTED IN VEHICLES EQUIPPED WITH 4 CYLINDER ENGINES
 SHIFT MECHANISM MOUNTED ON TOP OF REAR EXTENSION HOUSING

ILLUSTRATION OPPOSITE

ILLUS. REF. NO.	PART NAME	GROUP
1.	CABLE AND CASING - Speedometer	4.342
2.	GEAR - Speedometer - Driven	4.337
3.	SEAL - Speedometer driven gear guide	4.338
4.	GUIDE - Speedometer driven gear	4.337
5.	SEAL - Speedometer cable	4.342
6.	BOLT - Guide to extension housing	4.337
7.(A)	GASKET - Gearshift lever support	4.011
8.	BOLT - Extension housing to case	4.317
9.	WASHER - Extension housing to case	4.317
10.	PLUG - Filler	4.103
11.	BALL - Detent	4.311
12.	SPRING - Detent	4.311
13.	CAP - Detent spring retaining	4.311
14.	PIN - Interlock sleeve stop	4.307
15.(A)	GASKET - Transmission case to clutch housing	4.004
16.	WASHER - Clutch housing to transmission case	4.003
17.	BOLT - Clutch housing to transmission case	4.003
18.	PLUG - Reverse lever sealing	4.316
19.	PLUG - Drain	4.103
20.	PIN - Reverse idler gear shaft	4.433
21.	CASE - Transmission	4.103
22.(A)	GASKET - Transmission extension housing	4.318
23.	HOUSING - Rear extension	4.317
24.	BUSHING - Extension housing	4.317
25.	SEAL - Extension housing	4.317
26.	PIN - Lever to shifter shaft	4.309
27.	RING - Shifter shaft stop	4.309
28.	PIN - Lever to shifter shaft	4.307
29.	SHAFT - Transmission shift	4.309
30.	PLUG - Sealing	4.309
31.	FORK - 3rd & 4th speed shift	4.303
32.	RING - Reverse lever lock	4.316
33.	LEVER - Reverse shift	4.316
34.	LEVER - Selector fork engaging	4.307
35.	SLEEVE - Interlock	4.307
36.	FORK - 1st & 2nd speed shift	4.307
37.	LEVER - Shifter shaft actuating	4.309

NOTE: (A) Included in Gasket Kit, Group 4.005

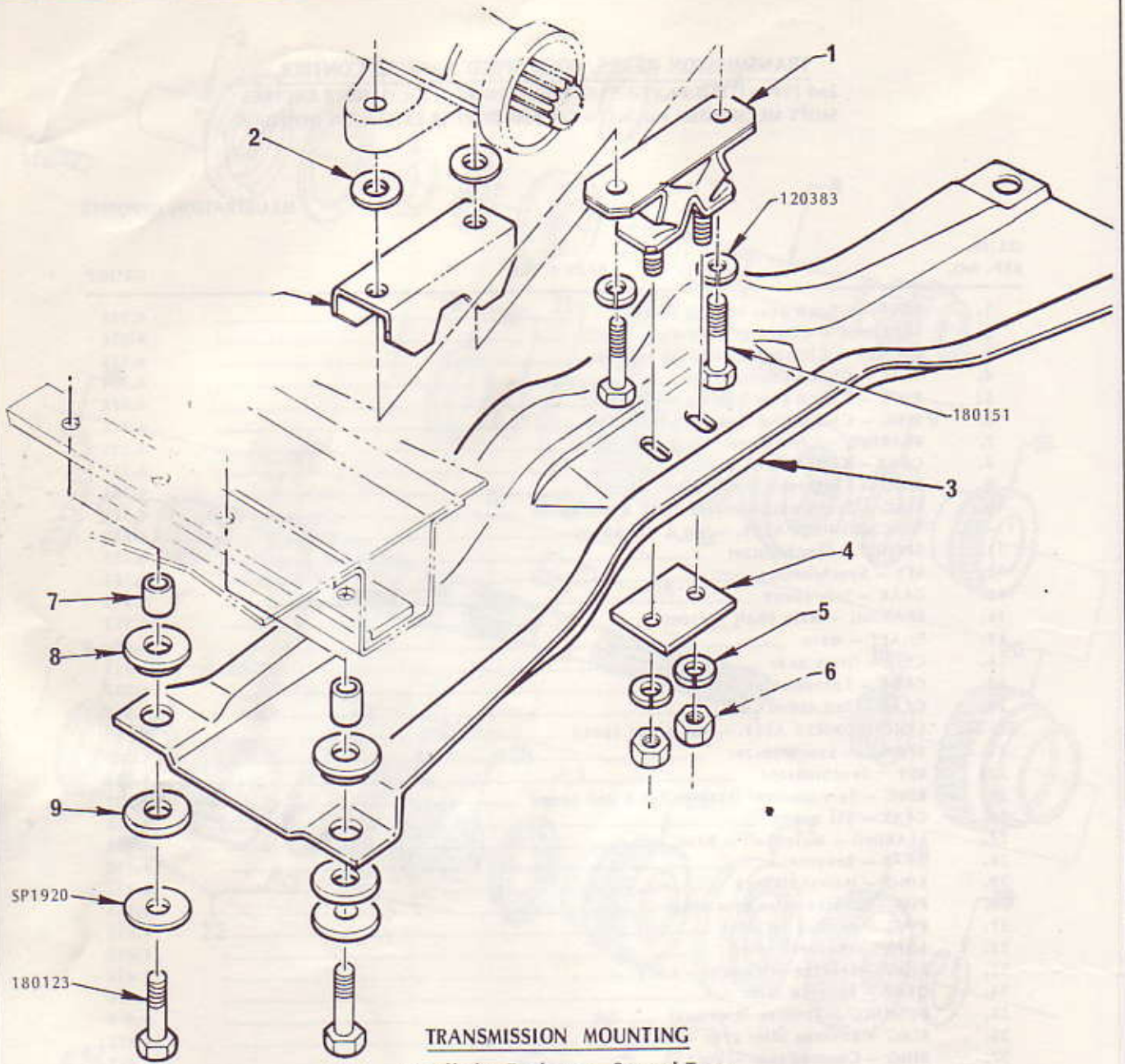


TRANSMISSION GEARS, FOUR SPEED MANUAL CONTROL
 2nd TYPE FITTED IN VEHICLES EQUIPPED WITH 4 CYLINDER ENGINES
 SHIFT MECHANISM MOUNTED ON TOP OF REAR EXTENSION HOUSING

ILLUSTRATION OPPOSITE

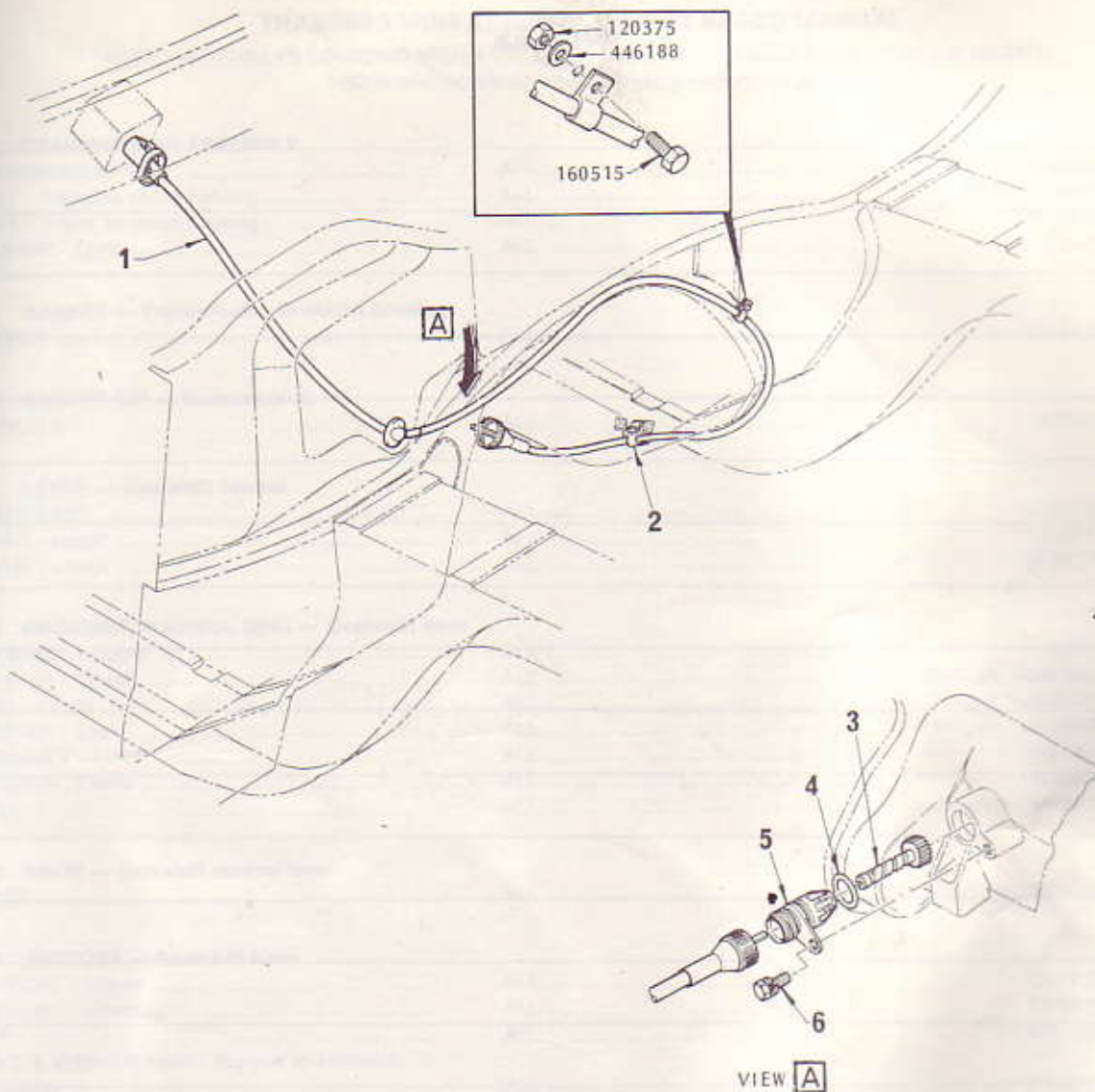
ILLUS. REF. NO.	PART NAME	GROUP
1.	BOLT - Clutch gear bearing retainer	4.356
2.	RETAINER - Clutch gear bearing	4.356
3. (A)	GASKET - Clutch gear bearing retainer	4.358
4.	SEAL - Clutch gear oil	4.354
5.	RING - Clutch gear bearing - retainer	4.376
6.	RING - Clutch gear bearing - Locating	4.376
7.	BEARING - Clutch gear	4.355
8.	GEAR - Clutch	4.351
9.	RING - Synchronizer blocking	4.383
10.	RING - Synchronizer retainer 3rd & 4th speed	4.382
11-14.	SYNCHRONIZER ASSY. - 3rd & 4th speed	4.380
11.	SPRING - Synchronizer	4.383
12.	KEY - Synchronizer	4.384
15.	GEAR - 3rd. speed	4.413
16.	BEARING - Main shaft - Front	4.352
17.	SHAFT - Main	4.403
18.	CLIP - Drive gear	4.337
19.	GEAR - Speedometer - Drive	4.337
20.	GEAR - 2nd speed	4.395
21-24.	SYNCHRONIZER ASSY. - 1st & 2nd speed	4.380
21.	SPRING - Synchronizer	4.383
22.	KEY - Synchronizer	4.384
25.	RING - Synchronizer retainer 1st & 2nd speed	4.382
26.	GEAR - 1st speed	4.418
27.	BEARING - Mainshaft - Rear	4.408
28.	GEAR - Reverse	4.418
29.	RING - Mainshaft lock	4.412
30.	PIN - Reverse idler gear shaft	4.433
31.	RING - Bearing locating	4.412
32.	SHAFT - Reverse idler	4.433
33.	RING - Reverse idler gear - Lock	4.432
34.	GEAR - Reverse idler	4.430
35.	BUSHING - Reverse idler gear	N.S.S
36.	RING - Reverse idler gear - Retaining	4.432
37.	RING - Counter gear - Lock	4.423
38.	GEAR - Counter reverse	4.421
39.	BEARING - Counter gear rear	4.422
40.	RING - Counter gear - Locating	4.423
41.	GEAR - Counter	4.421
42.	BEARING - Counter gear needle roller	4.422

NOTE: (A) Included in Gasket Kit, Group 4.005



TRANSMISSION MOUNTING
4 Cylinder Engine - Second Type

ILLUS. REF. NO.	PART NAME	GROUP
1.	MOUNTING	4.081
2.	SPACER	4.081
3.	SUPPORT - Engine rear mounting	12.982
4.	REINFORCEMENT	4.081
5.	WASHER - Mounting to support	4.081
6.	NUT - Mounting to support	4.081
7.	SPACER - Engine rear mounting support	12.982
8.	INSULATOR - Support upper	12.982
9.	INSULATOR - Support lower	12.982



SPEEDOMETER CABLE and GEARS

ILLUS. REF. NO.	PART NAME	GROUP
1.	CABLE & CASING	4.342
2.	CLIP - Cable to floor pan	4.342
3.	GEAR - Driven	4.337
4.	SEAL - "O" Ring	4.338
5.	GUIDE - Driven gear	4.337
6.	BOLT - Guide to extension housing	4.337

HOLDEN "LH" PARTS CATALOGUE

GROUP	DESCRIPTION	MODEL	SIDE	PART No.	QTY.
TRANSMISSION ASSEMBLY, FOUR SPEED MANUAL					
FITTED IN VEHICLES EQUIPPED WITH 4 CYLINDER ENGINES - SECOND TYPE - TORQUE MASTER (Shift mechanism on top of rear extension housing)					
4.003H	TRANSMISSION ASSEMBLY				
	TRANSMISSION ASSY.	ALL		9299653	1
	BOLT - Trans. to clutch housing	ALL		7316473	2
	BOLT - Trans. to clutch housing	ALL		7316479	4
	WASHER - Lock	ALL		2074176	6
4.004H	GASKET - Transmission to clutch housing				
	GASKET	ALL		7316456	1
4.005H	GASKET KIT - Transmission				
	GASKET KIT	ALL		M37569	1
4.006H	LEVER - Gearshift control				
	LEVER ASSY.	ALL		9935045	1
	LEVER - Upper	ALL		7334419	1
	LEVER - Lower	ALL		9931276	1
4.008H	GROMMET, WASHER, RING - Gearshift lever				
	GROMMET - Upper	ALL		2865035	1
	WASHER - Upper	ALL	N4H	3460499	1
	RING - Upper	ALL	N4H	2076591	1
	WASHER - Lock	ALL	N4H	2865029	1
	GROMMET - Lower	ALL		2865032	1
	WASHER - Lower	ALL		3460500	1
	RING	ALL	N4H	2076573	1
4.009H	KNOB - Gearshift control lever				
	KNOB	ALL		7334418	1
4.010H	SUPPORT - Gearshift lever				
	SUPPORT - Upper	ALL		7316529	1
	SUPPORT - Lower	ALL		7316530	1
	CLIP	ALL		9297787	1
	BOLT & WASHER ASSY- Support to extension housing	ALL		2008151	3
4.011H	GASKET - Gearshift support				
	GASKET	ALL		8967474	1
4.012H	CUP, BALL, SPRING, SEAT, GUIDE - Gearshift lever detent				
	CUP	ALL		9298091	1
	BALL	ALL		9298089	1
	SPRING	ALL		9298093	1
	SEAT - Spring	ALL		9298090	1
	GUIDE	ALL		8965234	1
4.015H	BOOT - Gearshift control				
	BOOT - Lever to support	ALL		9298092	1
	BOOT - Lever to floor	ALL		9934339	1
	RETAINER - Lever boot to floor	ALL		9934340	1
	BOOT - Console	ALL		9934581	1
4.081H	MOUNTING - Transmission support				
	MOUNTING	ALL		2825736	1
	BOLT	ALL		11073921	2

HOLDEN "LH" PARTS CATALOGUE

GROUP	DESCRIPTION	MODEL	SIDE	PART No.	QTY.
TRANSMISSION ASSEMBLY, FOUR SPEED MANUAL					
FITTED IN VEHICLES EQUIPPED WITH 4 CYLINDER ENGINES - SECOND TYPE - TORQUE MASTER (Shift mechanism on top of rear extension housing)					
4.103H	CASE — Transmission				
	CASE	ALL		9298656	1
	PLUG - Transmission filler	ALL		103868	1
	PLUG - Transmission drain	ALL		7316926	1
4.303H	FORK — Transmission shifter				
	FORK - 1st & 2nd speed	ALL		7316465	1
	FORK - 3rd & 4th speed	ALL		7316466	1
4.307H	SLEEVE, LEVER — Transmission shifter fork				
	SLEEVE - Interlock	ALL		7316464	1
	PIN - Interlock sleeve stop	ALL		7334223	1
	LEVER - Selector fork engaging	ALL		7316463	1
	PIN - Lever to shifter shaft	ALL		11071271	1
4.309H	SHAFT, LEVER — Transmission shifter				
	SHAFT	ALL		9299687	1
	LEVER - Shifter shaft actuating	ALL		9299685	1
	PIN - Lever to shifter shaft	ALL		11071271	1
	RING - Shifter shaft stop	ALL		7334441	2
	PLUG - Sealing	ALL		8965250	1
4.311H	BALL, SPRING, CAP — Transmission detent				
	BALL	ALL		147487	1
	SPRING	ALL		7333586	1
	CAP	ALL		2865093	1
4.316H	LEVER — Reverse shifter				
	LEVER	ALL		7316461	1
	RING - Reverse lever lock	ALL		7333738	1
	PLUG - Reverse lever sealing	ALL		7316425	1
4.317H	HOUSING, BUSHING, SEAL — Transmission extension				
	HOUSING	ALL		9299679	1
	BUSHING - Housing	ALL		3786292	1
	SEAL - Housing	ALL		3746213	1
	BOLT - Housing to case	ALL		7316473	2
	BOLT - Housing to case	ALL		7316479	3
	WASHER	ALL		2074176	5
4.318H	GASKET — Transmission extension housing				
	GASKET	ALL		7316448	1
4.337H	GEAR — Speedometer drive and driven				
	GEAR - Driven - 23 teeth - Black	ALL		9300717	1
	GEAR - Driven - 24 teeth - Yellow	ALL		9300718	1
	GEAR - Drive	ALL		9300694	1
	GUIDE - Driven gear	ALL		7316892	1
	BOLT - Guide to extension housing	ALL		7322503	1
	CLIP - Drive gear	ALL		1373122	1
4.338H	SEAL — Speedometer driven gear guide				
	SEAL	ALL		3708146	1
4.342H	CABLE and CASING — Speedometer				
	CABLE & CASING	ALL		9936664	1
	SEAL - Cable	ALL		3869910	1

HOLDEN "LH" PARTS CATALOGUE

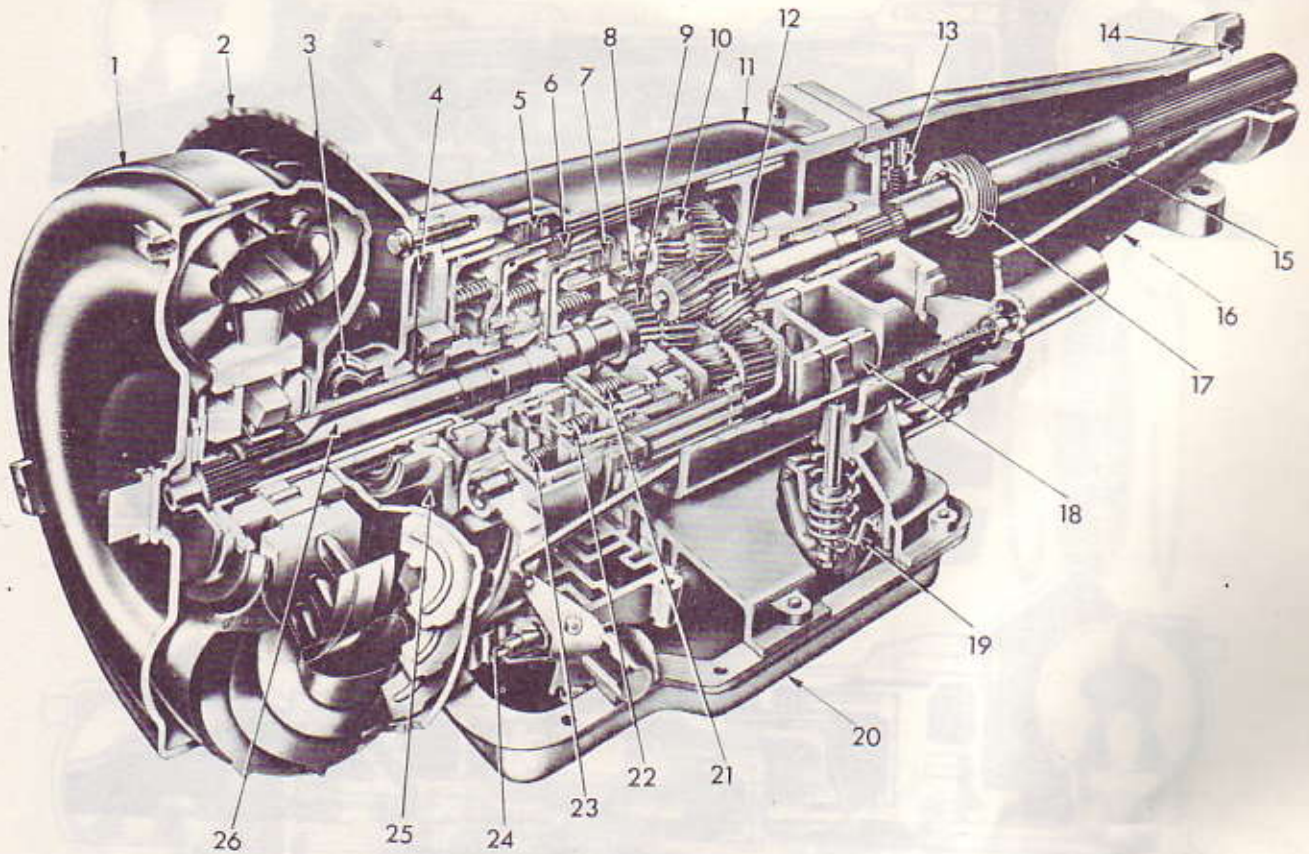
GROUP	DESCRIPTION	MODEL	SIDE	PART No.	QTY.
TRANSMISSION ASSEMBLY, FOUR SPEED MANUAL					
FITTED IN VEHICLES EQUIPPED WITH 4 CYLINDER ENGINES - SECOND TYPE - TORQUE MASTER (Shift mechanism on top of rear extension housing)					
4.351H	GEAR — Clutch				
	GEAR	ALL		9299695	1
4.352H	BEARING — Main shaft front				
	BEARING - Needle roller	ALL		9417275	15
4.354H	SEAL — Clutch gear oil				
	SEAL	ALL		8967254	1
4.355H	BEARING — Clutch gear				
	BEARING	ALL		908058	1
4.356H	RETAINER — Clutch gear bearing				
	RETAINER	ALL		9299066	1
	BOLT - Retainer to housing	ALL		7322506	4
4.358H	GASKET — Clutch gear bearing retainer				
	GASKET	ALL		591022	1
4.376H	RING — Clutch gear bearing retainer				
	RING - .083"-.085" thick	ALL		(* 9299534	1
	RING - .086"-.088" thick	ALL		(* 9299535	1
	RING - .089"-.091" thick	ALL		(* 9299536	1
	RING - .092"-.094" thick	ALL		(* 9299537	1
	RING - .095"-.097" thick	ALL		(* 9299538	1
	WASHER - Clutch gear	ALL		9298260	1
4.376H	RING — Clutch gear bearing locating				
	RING	ALL		590849	1
4.380H	SYNCHRONIZER — Transmission				
	SYNCHRONIZER ASSEMBLY - 1st & 2nd speed ...	ALL		7316458	1
	SYNCHRONIZER ASSEMBLY - 3rd & 4th speed ...	ALL		7316476	1
4.382H	RING — Transmission synchronizer retainer				
	RING - 1st & 2nd speed - .062"-.064" thick	ALL		(* 9299540	1
	RING - 1st & 2nd speed - .065"-.067" thick	ALL		(* 9299541	1
	RING - 3rd & 4th speed - .062"-.064" thick	ALL		(* 9299548	1
	RING - 3rd & 4th speed - .065"-.067" thick	ALL		(* 9299549	1
4.383H	SPRING, RING — Transmission synchronizer				
	SPRING	ALL		5257865	4
	RING - Blocking	ALL		3813905	4
4.384H	KEY — Transmission synchronizer				
	KEY	ALL		5257866	6
4.395H	GEAR — Second speed				
	GEAR	ALL		9299693	1
4.403H	SHAFT — Transmission main				
	SHAFT	ALL		9298667	1

Note: (*) Selective fit.

HOLDEN "LH" PARTS CATALOGUE

GROUP	DESCRIPTION	MODEL	SIDE	PART No.	QTY.
TRANSMISSION ASSEMBLY, FOUR SPEED MANUAL					
FITTED IN VEHICLES EQUIPPED WITH 4 CYLINDER ENGINES - SECOND TYPE - TORQUE MASTER (Shift mechanism on top of rear extension housing)					
4.408H	BEARING - Mainshaft rear			907791	1
	BEARING	ALL			
4.412H	RING - Transmission bearing mainshaft lock			(* 9299535	1
	RING - .086"- .088"	ALL		(* 9299536	1
	RING - .089"- .091"	ALL		(* 9299537	1
	RING - .092"- .094"	ALL		(* 9299538	1
	RING - .095"- .097"	ALL			
4.412H	RING - Transmission bearing mainshaft locating			7329897	1
	RING	ALL			
4.415H	GEAR - Third speed			9299694	1
	GEAR				
4.418H	GEAR - Mainshaft first speed, reverse			9299952	1
	GEAR - 1st speed	ALL		9298510	1
	GEAR - Reverse	ALL			
4.421H	GEAR - Counter			9299951	1
	GEAR - Counter	ALL		9299690	1
	GEAR - Counter reverse	ALL			
4.422H	BEARING - Counter gear			7330345	1
	BEARING - Front	ALL		7316603	1
	BEARING - Rear	ALL			
4.423H	RING - Counter gear lock			(* 9299543	1
	RING - .086"- .088" thick	ALL		(* 9299544	1
	RING - .089"- .091" thick	ALL		(* 9299545	1
	RING - .092"- .094" thick	ALL		(* 9299546	1
	RING - .095"- .097" thick	ALL			
4.423H	RING - Counter gear bearing locating			7329902	1
	RING	ALL			
4.430H	GEAR - Reverse idler			7329909	1
	GEAR	ALL			
4.432H	RING - Reverse idler gear			7334971	2
	RING - Retaining	ALL		7334972	2
	RING - Lock	ALL			
4.433H	SHAFT, BUSHING - Reverse idler gear			9299691	1
	SHAFT	ALL		7334191	1
	PIN	ALL		5258709	1
	BUSHING	ALL			

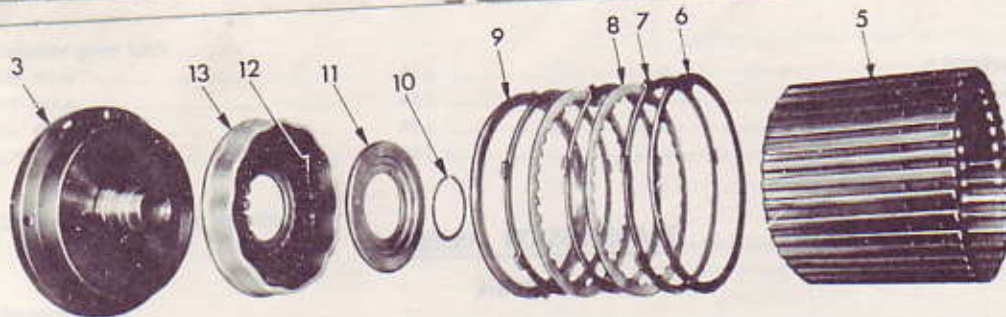
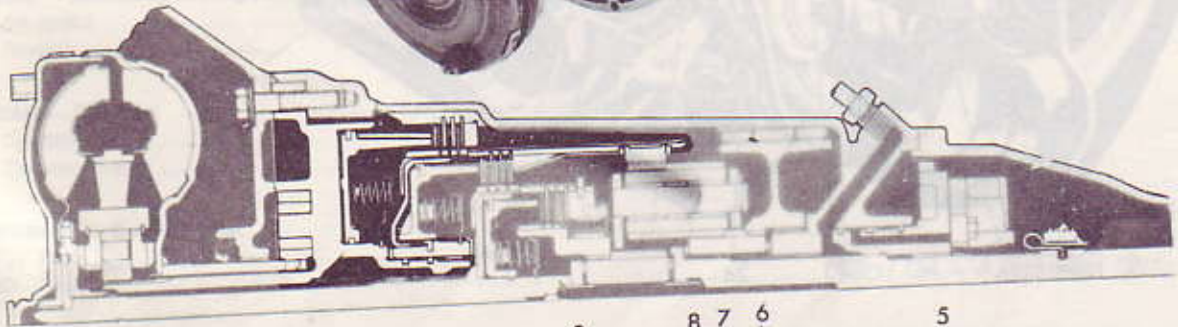
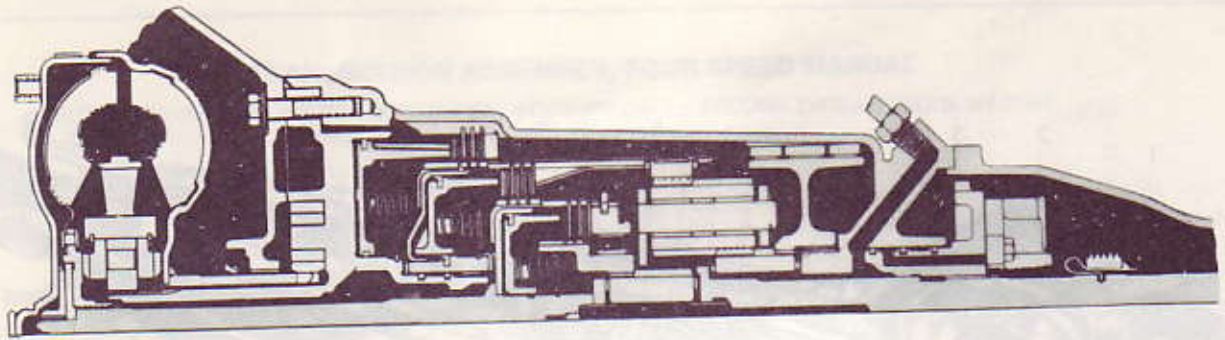
Note: (*) Selective fit.



TRANSMISSION ASSEMBLY

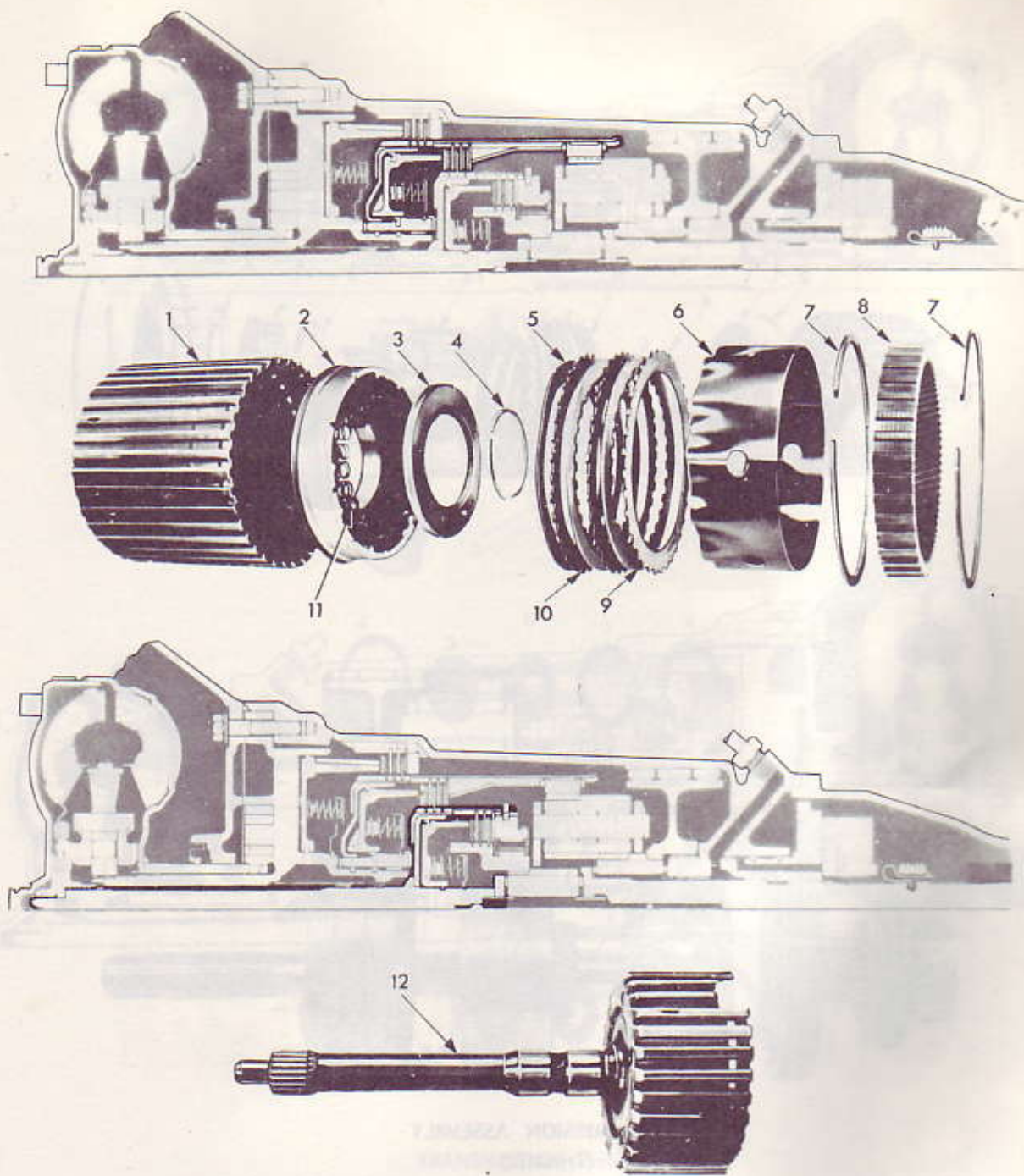
Trimatic

ILLUS. REF. NO.	PART NAME	GROUP	ILLUS. REF. NO.	PART NAME	GROUP
1.	CONVERTER ASSY.	4.156	14.	SEAL - Rear bearing housing	4.317
2.	HOUSING - Converter	0.683	15.	CARRIER ASSY. - Planet	4.177
3.	SEAL - Converter housing	0.683	16.	HOUSING - Rear bearing	4.317
4.	PLATE - Wear	4.226	17.	GEAR - Speedo drive	4.337
5.	PLATE - Reverse clutch	4.163	18.	BAND ASSY. - Reaction	4.251
6.	PLATE - 2nd clutch	4.163	19.	PISTON - Servo	4.228
7.	PLATE - 3rd clutch	4.163	20.	PAN - Transmission oil	4.195
8.	SPRAG ASSY.	4.158	21.	SPRING - 3rd clutch piston	4.164
9.	GEAR ASSY. - Input sun	4.177	22.	SPRING - 2nd clutch piston	4.164
10.	GEAR - Ring	4.187	23.	SPRING - Reverse clutch piston	4.265
11.	CASE - Transmission	4.103	24.	VALVE - Manual	4.265
12.	GEAR & DRUM ASSY. - Reaction sun	4.177	25.	BODY & GEAR PACKAGE	4.226
13.	GOVERNOR	4.256	26.	DRUM & INPUT SHAFT - 3rd clutch	4.153



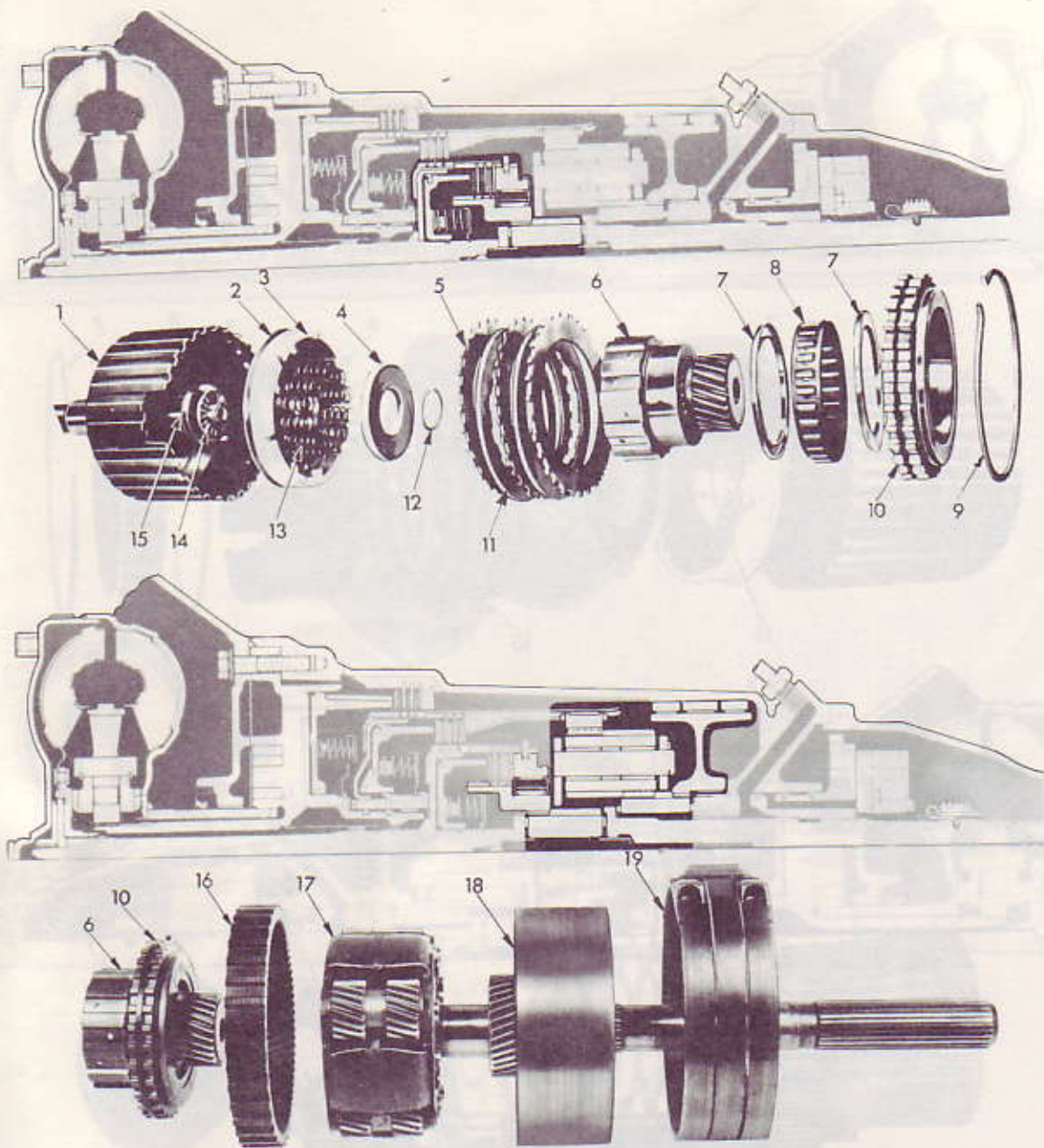
TRANSMISSION ASSEMBLY
(TRIMATIC)

ILLUS. REF. NO.	PART NAME	GROUP	ILLUS. REF. NO.	PART NAME	GROUP
1.	CONVERTER ASSEMBLY	4.156	8.	PLATE - Reverse clutch drive	4.163
2.	HOUSING - Converter	0.683	9.	PLATE - Reverse clutch cushion	4.163
3.	BODY & GEAR PACKAGE	4.226	10.	RING - Reverse clutch piston	4.128
4.	PLATE - Wear	4.226	11.	SEAT - Reverse clutch piston return spring ..	4.189
5.	DRUM ASSEMBLY - 2nd clutch	4.158	12.	SPRING - Reverse clutch piston	4.164
6.	PLATE - Reverse clutch pressure	4.163	13.	PISTON - Reverse clutch	4.166
7.	PLATE - Reverse clutch reaction	4.163			



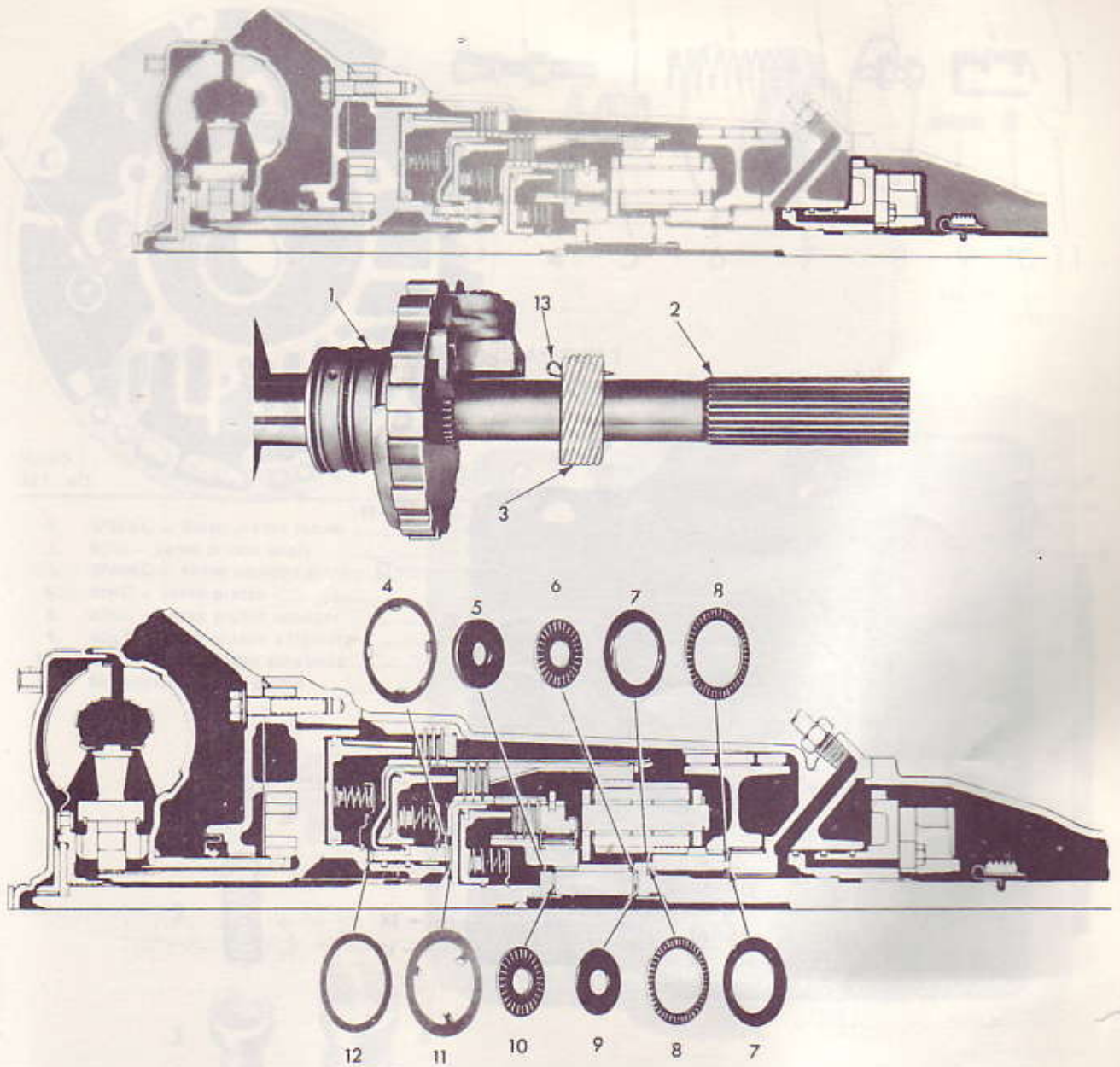
TRANSMISSION ASSEMBLY
(TRIMATIC)

ILLUS. REF. NO.	PART NAME	GROUP	ILLUS. REF. NO.	PART NAME	GROUP
1.	DRUM - 2nd clutch	4.158	8.	GEAR - Ring	4.187
2.	PISTON ASSY. - 2nd clutch	4.166	9.	PLATE - 2nd clutch drive	4.163
3.	SEAT - 2nd clutch piston	4.165	10.	PLATE - 2nd clutch driven	4.163
4.	RING - 2nd clutch piston seat retainer..	4.128	11.	SPRING - 2nd clutch piston	4.164
5.	PLATE - 2nd clutch cushion	4.163	12.	DRUM & INPUT SHAFT ASSY.- 3rd clutch	4.153
6.	SPACER - 2nd clutch plate	4.163			
7.	RING - Ring gear retaining	4.128			



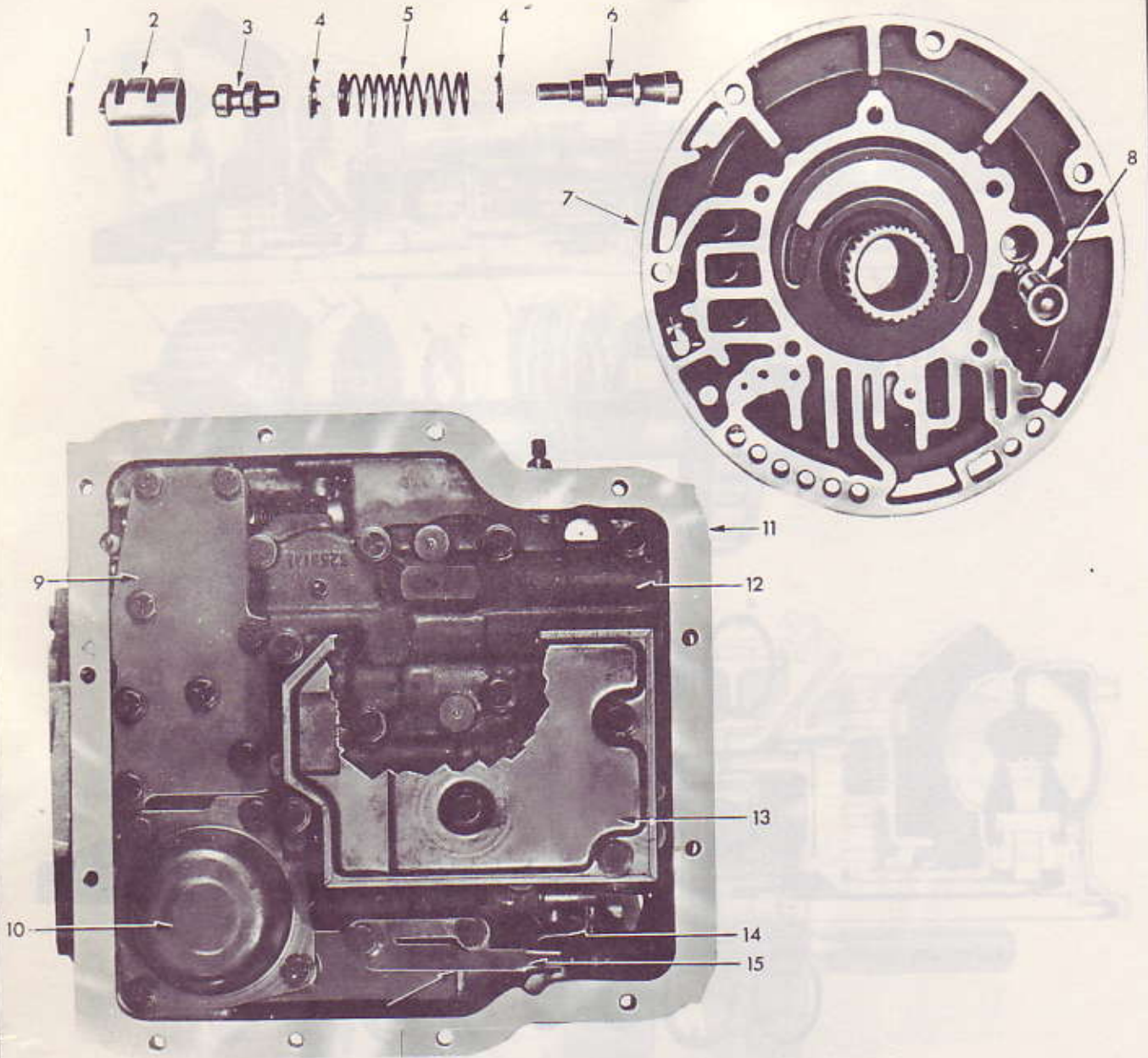
TRANSMISSION ASSEMBLY
(Trimatic)

ILLUS. REF. NO.	PART NAME	GROUP	ILLUS. REF. NO.	PART NAME	GROUP
1.	DRUM & INPUT SHAFT ASSY. - 3rd clutch	4.153	11.	PLATE - 3rd clutch drive	4.163
2.	SEAL - 3rd clutch piston outer	4.166	12.	RING - 3rd clutch piston spring retainer	4.128
3.	PISTON ASSY. - 3rd clutch	4.166	13.	SPRING - 3rd clutch	4.164
4.	SEAT - 3rd clutch piston spring	4.165	14.	BEARING - input shaft to sun gear thrust	4.177
5.	PLATE - 3rd clutch driven	4.163	15.	WASHER - input shaft to sun gear thrust	4.177
6.	GEAR ASSY. - Input sun	4.177	16.	GEAR - Ring	4.187
7.	SPRAG ASSY. - Input	4.158	17.	CARRIER ASSY. - Planet	4.177
8.			18.	GEAR & DRUM ASSY. - Reaction	4.177
9.	RING - 3rd clutch retainer	4.128	19.	BAND ASSY. - Reaction	4.251
10.	RACE & RETAINER ASSY. - 3rd clutch input sprag	4.158			



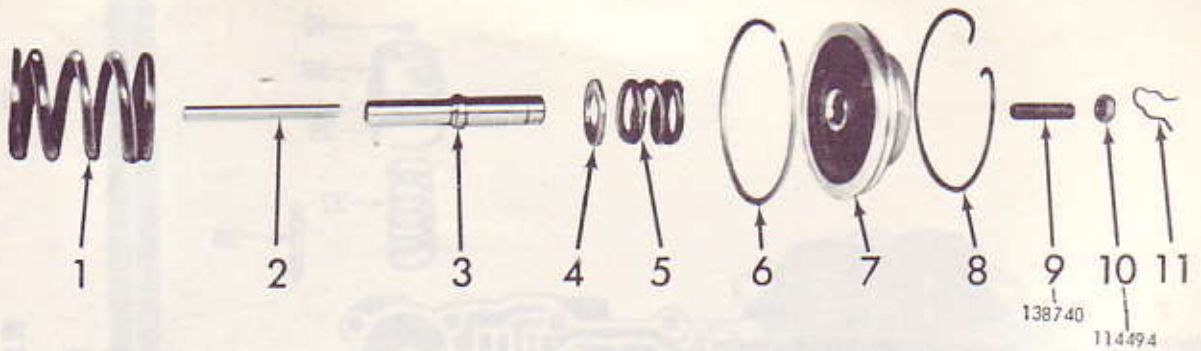
TRANSMISSION ASSEMBLY
(TRIMATIC)

ILLUS. REF. NO.	PART NAME	GROUP	ILLUS. REF. NO.	PART NAME	GROUP
1.	GOVERNOR ASSEMBLY	4.256	8.	BEARING - Reaction sun gear	4.177
2.	CARRIER ASSEMBLY - Planet	4.177	9.	WASHER - Sun gear to carrier assy.	4.177
3.	GEAR - Speedometer drive	4.337	10.	BEARING - Input shaft to sun gear thrust	4.177
4.	WASHER - 2nd & 3rd clutch thrust (bronze) ..	4.129	11.	WASHER - 2nd & 3rd clutch thrust (steel)	4.129
5.	WASHER - Input shaft to sun gear thrust	4.177	12.	WASHER - Clutch thrust	4.129
6.	BEARING - Sun gear to carrier assy.	4.177	13.	CLIP - Speedometer drive gear	4.337
7.	WASHER - Reaction sun gear & drum	4.129			



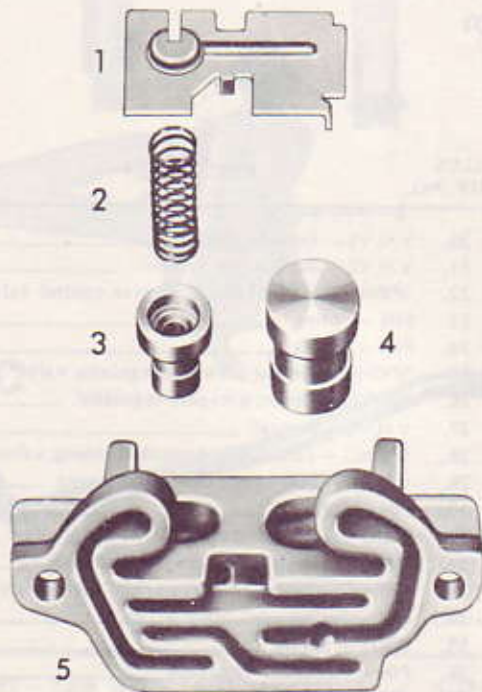
TRANSMISSION ASSEMBLY
Automatic 3 Speed

ILLUS. REF. NO.	PART NAME	GROUP	ILLUS. REF. NO.	PART NAME	GROUP
1.	PIN - Dowel	4.226	8.	VALVE - Oil pump priming	4.226
2.	SLEEVE - Pressure regulator booster valve	4.226	9.	REINFORCEMENT - Transfer plate	4.265
3.	VALVE - Pressure regulator booster	4.226	10.	COVER - Servo	4.212
4.	SEAT - Pressure regulator valve	4.226	11.	CASE - Transmission	4.103
5.	SPRING - Pressure regulator valve ..	4.226	12.	BODY ASSY. - Valve	4.265
6.	VALVE - Pressure regulator	4.226	13.	SCREEN ASSY. - Oil pump suction ..	4.224
7.	PUMP ASSY. - Oil	4.226	14.	LINK - Manual valve lever	4.265
			15.	ROLLER & SPRING ASSY. - Detent	4.279



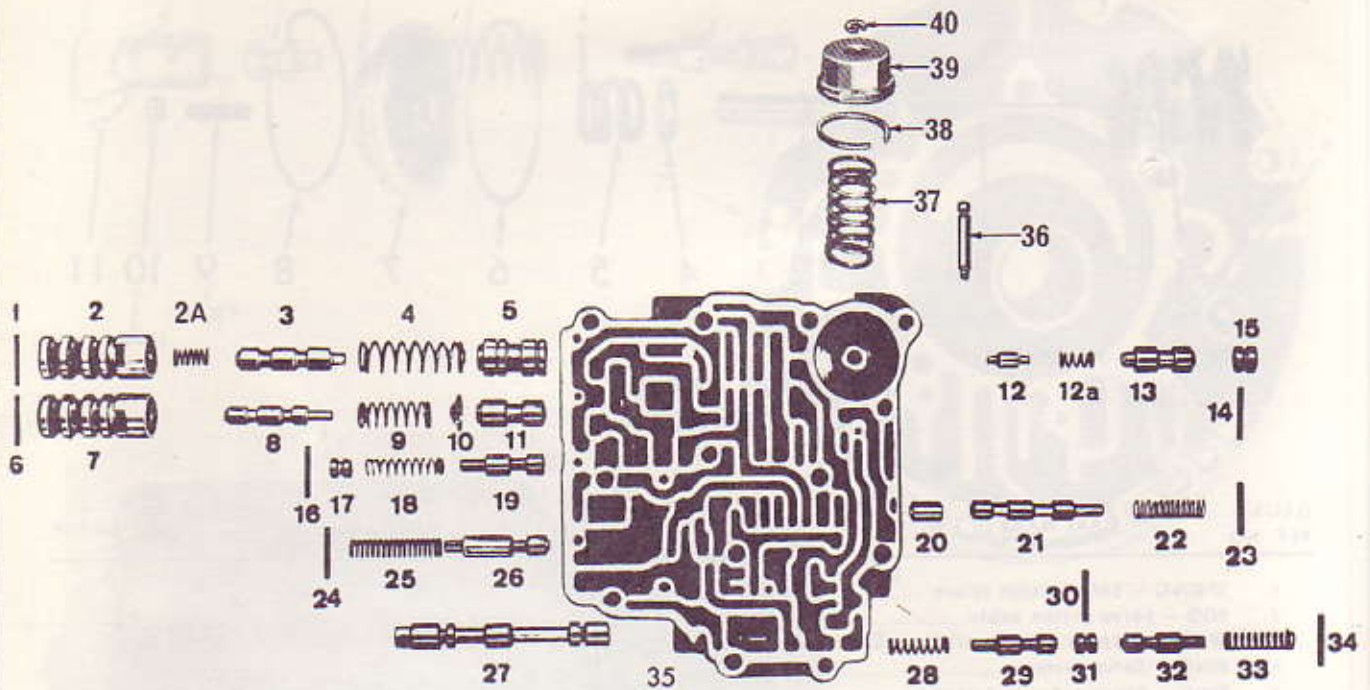
SERVO ASSEMBLY
(TRIMATIC)

ILLUS. REF. NO.	PART NAME	GROUP	ILLUS. REF. NO.	PART NAME	GROUP
1.	SPRING - Servo piston return	4.233	3. 4. 5. 6. 7. 11.	PISTON ASSY. - Servo	4.228
2.	ROD - Servo piston apply	4.230			
5.	SPRING - Servo cushion piston	4.233			
6.	RING - Servo piston	4.127			
8.	RING - Servo piston retainer	4.128			
9.	BOLT - Servo piston adjusting	8.975			
10.	NUT - Servo piston adjusting	8.916			
11.	RETAINER - Servo piston	4.233			



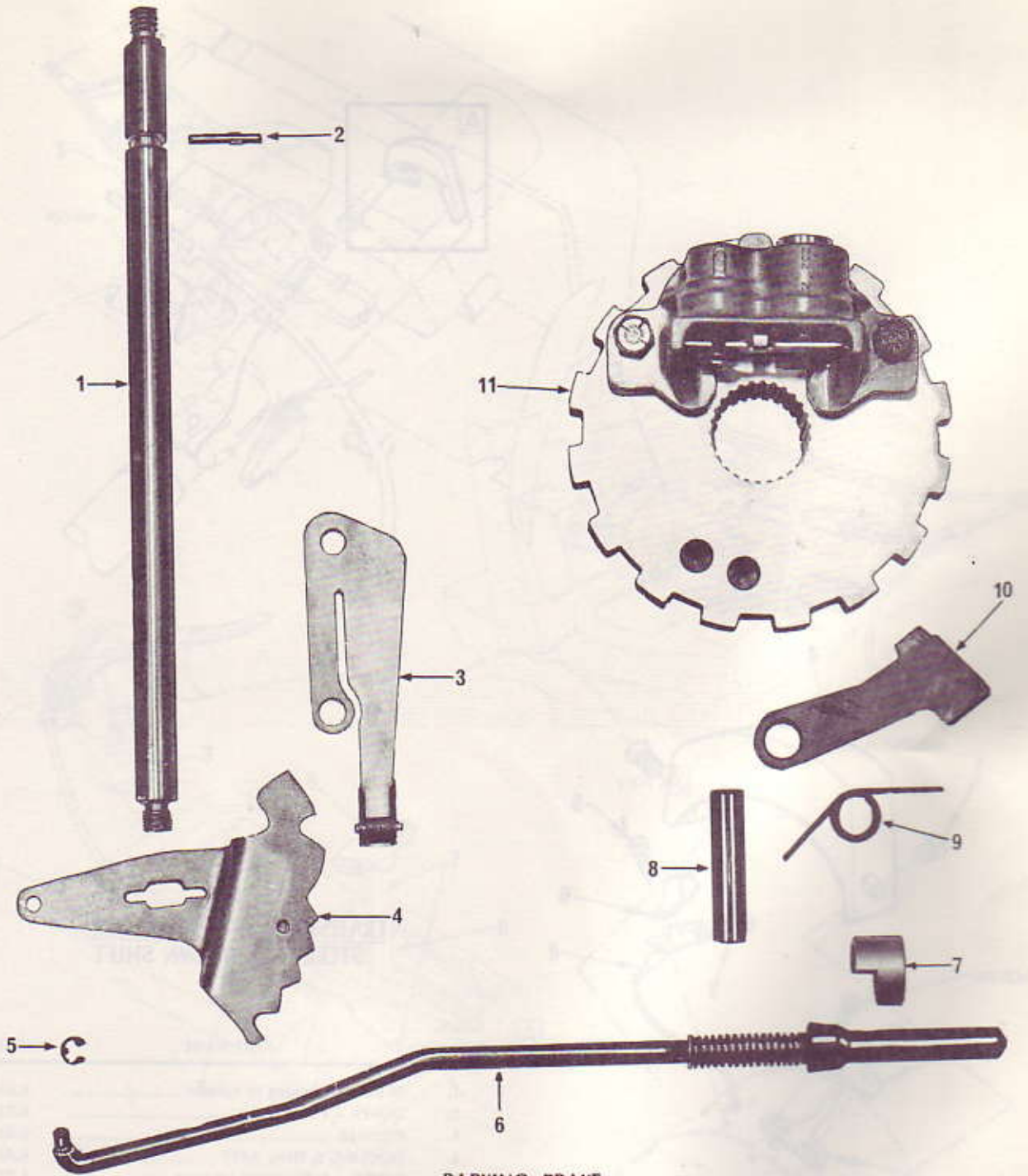
GOVERNOR ASSEMBLY
(TRIMATIC)

ILLUS. REF. NO.	PART NAME	GROUP
1.	RETAINER - Secondary valve spring	4.256
2.	SPRING - Secondary valve	4.256
3.	VALVE - Secondary	4.256
4.	VALVE - Primary	4.256
5.	BODY - Valve	4.256



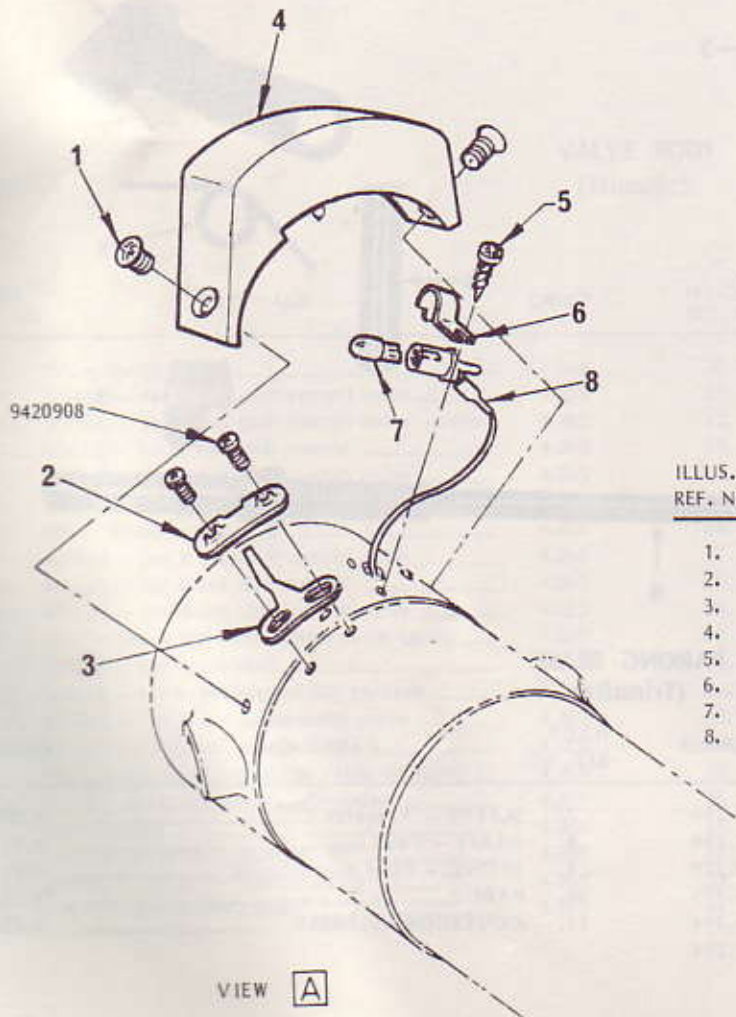
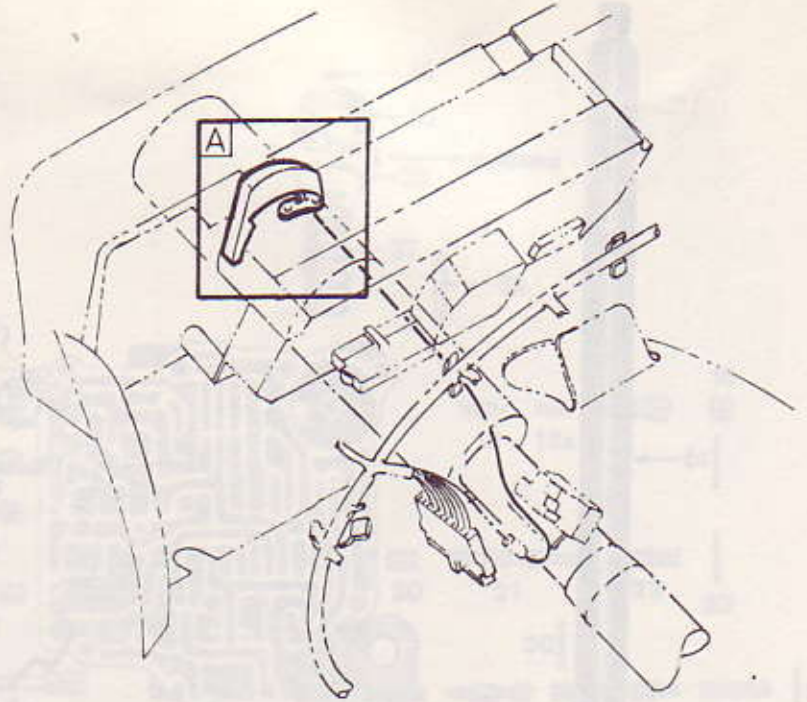
VALVE BODY
(Trimatic)

ILLUS. REF. NO.	PART NAME	GROUP	ILLUS. REF. NO.	PART NAME	GROUP
1.	PIN - Spring	4.265	20.	VALVE - Reverse control	4.265
2.	SLEEVE - 1st & 2nd shift control valve	4.265	21.	VALVE - Manual low control	4.265
2A.	SPRING - 1st & 2nd shift control valve - return	4.265	22.	SPRING - Manual low & reverse control valve	4.265
3.	VALVE - 1st & 2nd shift control	4.265	23.	PIN - Spring	4.265
4.	SPRING - 1st & 2nd shift control valve	4.265	24.	PIN - Spring	4.265
5.	VALVE - 1st & 2nd shift	4.265	25.	SPRING - Detent pressure regulator valve	4.265
6.	PIN - Spring	4.265	26.	VALVE - Detent pressure regulator	4.265
7.	SLEEVE - 2nd & 3rd shift control valve	4.265	27.	VALVE - Manual	4.265
8.	VALVE - 2nd & 3rd shift control	4.265	28.	SPRING - Low speed downshift timing valve	4.265
9.	SPRING - 2nd & 3rd shift control valve	4.265	29.	VALVE - Low speed downshift timing	4.265
10.	SEAT - 2nd & 3rd shift control valve spring	4.265	30.	PIN - Spring	4.265
11.	VALVE - 2nd & 3rd shift	4.365	31.	PLUG - Low speed downshift timing valve	4.265
12.	VALVE - 1st & 2nd accumulator control	4.265	32.	VALVE - High speed downshift timing	4.265
12A.	SPRING - 1st & 2nd accumulator valve	4.265	33.	SPRING - High speed downshift timing valve	4.265
13.	VALVE - 1st & 2nd accumulator	4.265	34.	PIN - Spring	4.265
14.	PIN - 1st & 2nd accumulator valve retaining	4.265	35.	BODY - Spring	4.265
15.	PLUG - 1st & 2nd accumulator valve	4.265	36.	PIN - Accumulator piston	4.233
16.	PIN - Spring	4.265	37.	SPRING - Accumulator piston	4.233
17.	PLUG - 3rd to 2nd control valve	4.265	38.	RING - Accumulator piston	4.127
18.	SPRING - 3rd to 2nd control valve	4.265	39.	PISTON - Accumulator	4.228
19.	VALVE - 3rd to 2nd control	4.265	40.	RING - Accumulator piston retaining	4.128



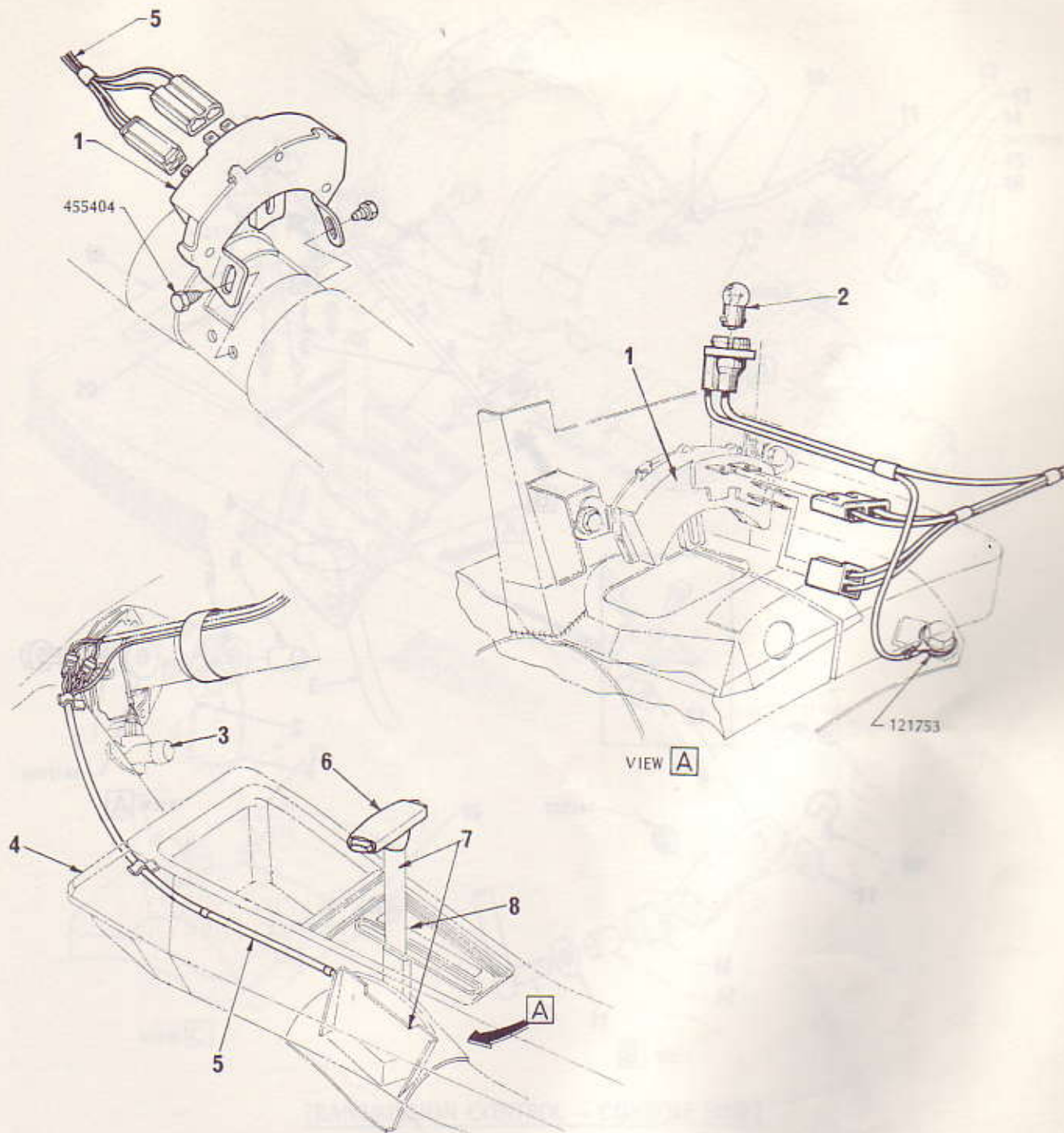
PARKING BRAKE
(Trimatic)

ILLUS. REF. NO.	PART NAME	GROUP	ILLUS. REF. NO.	PART NAME	GROUP
1.	SHAFT - Park lock & range selector	4.294	7.	SLEEVE - Actuator	4.294
2.	PIN - Park lock & range selector retaining	4.294	8.	SHAFT - Pawl	4.294
3.	ROLLER & SPRING ASSEMBLY	4.279	9.	SPRING - Pawl disengaging	4.295
4.	LEVER - Park lock & range selector	4.279	10.	PAWL	4.294
5.	RING - Actuator rod to lever	4.294	11.	GOVERNOR ASSEMBLY	4.256
6.	ACTUATOR	4.294			



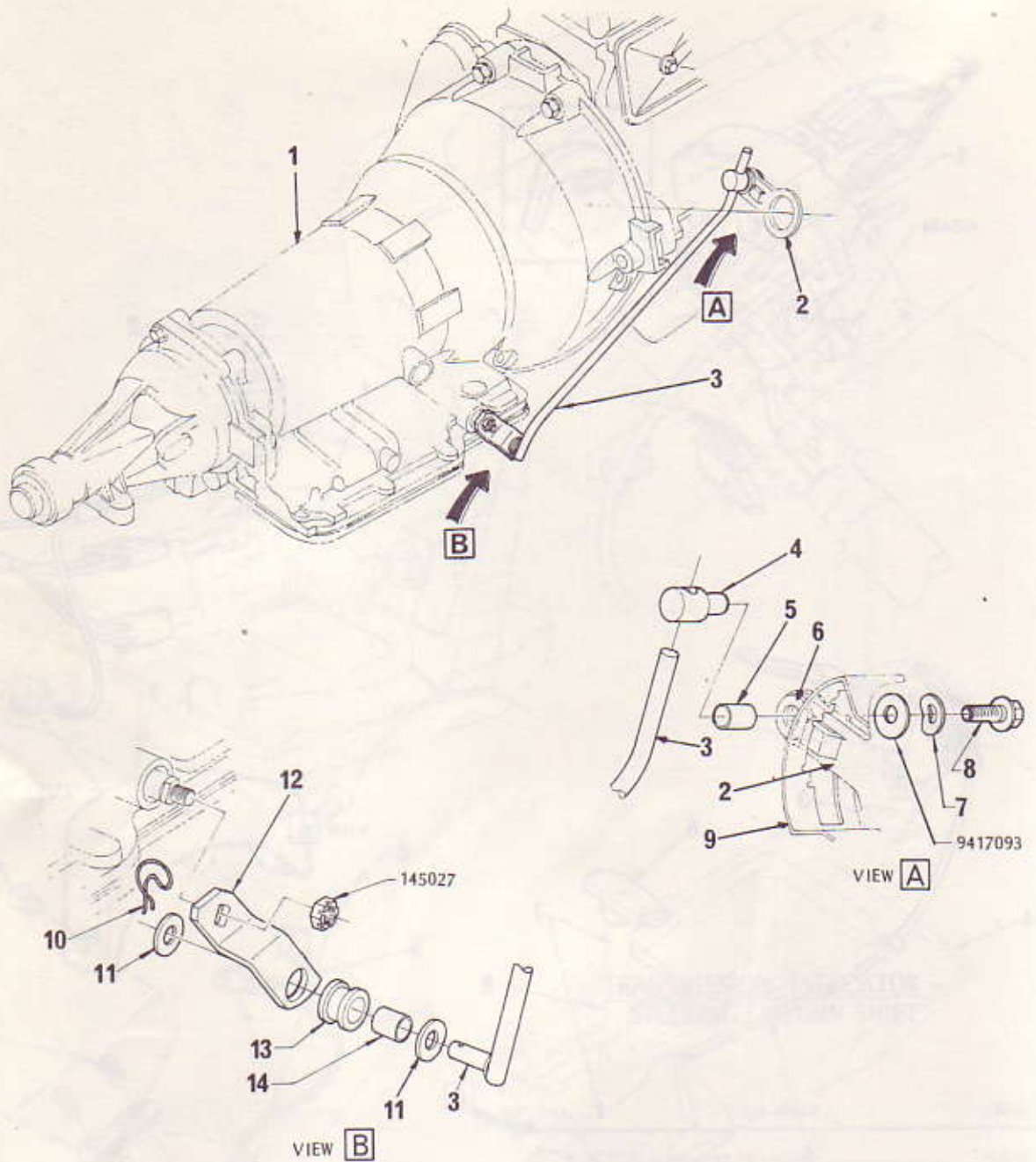
**TRANSMISSION INDICATOR –
STEERING COLUMN SHIFT**

ILLUS. REF. NO.	PART NAME	GROUP
1.	SCREW – Housing to column	4.038
2.	COVER – Pointer	4.038
3.	POINTER	4.038
4.	HOUSING & DIAL ASSY.	4.038
5.	SCREW – Bulb socket retainer	4.038
6.	RETAINER – Bulb socket	4.038
7.	BULB	4.038
8.	SOCKET & LEAD – Illumination	4.038



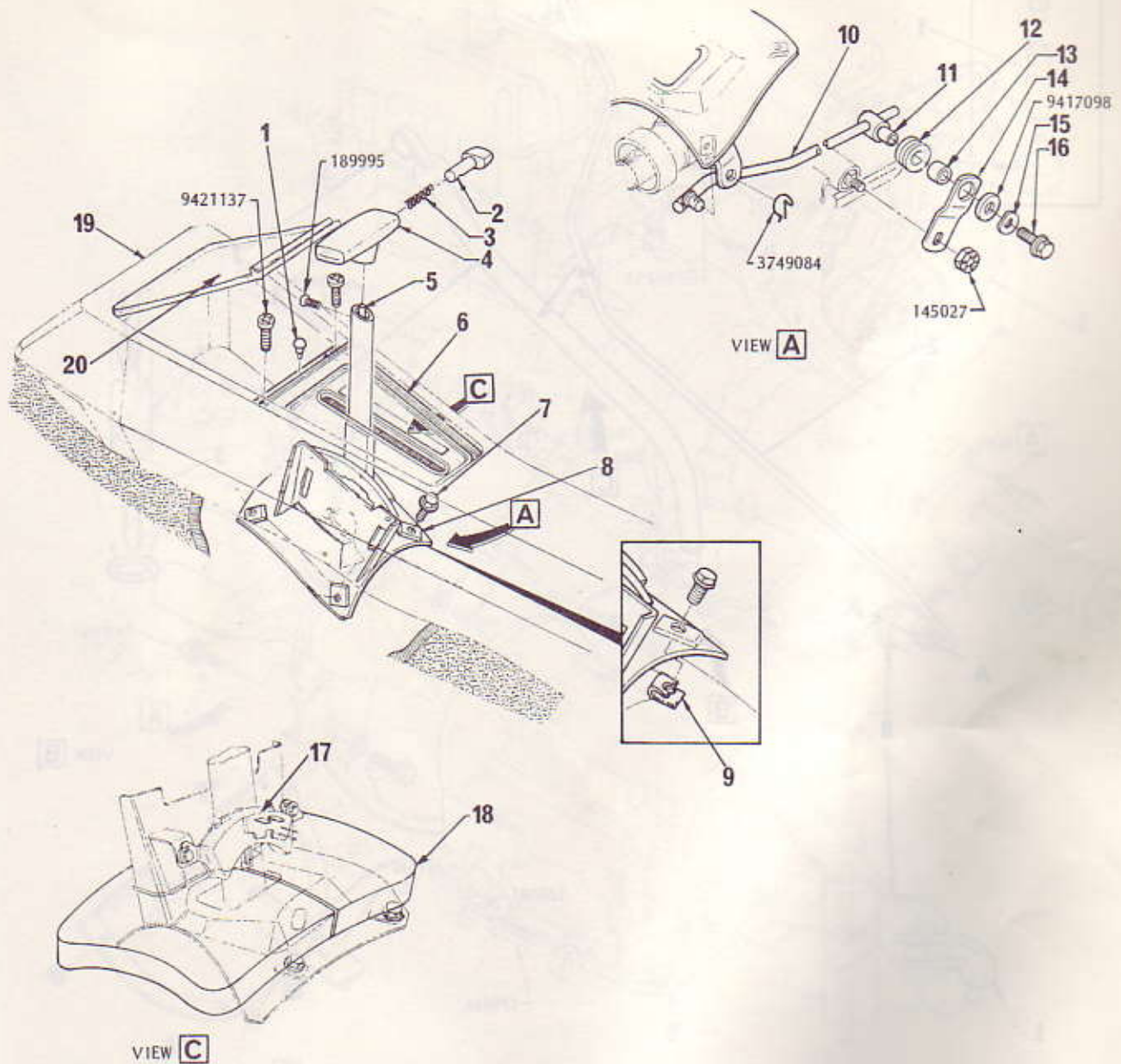
TRANSMISSION NEUTRAL STARTING SWITCH

ILLUS. REF. NO.	PART NAME	GROUP	ILLUS. REF. NO.	PART NAME	GROUP
1.	SWITCH – Neutral starting	4.054	5.	HARNES ASSEMBLY	4.055
2.	BULB	4.038	6.	HANDLE	4.009
3.	SWITCH ASSEMBLY – Dimmer	2.459	7.	LEVER & SUPPORT ASSY.	4.006
4.	HOUSING	15.290	8.	DIAL – Control indicator	4.038



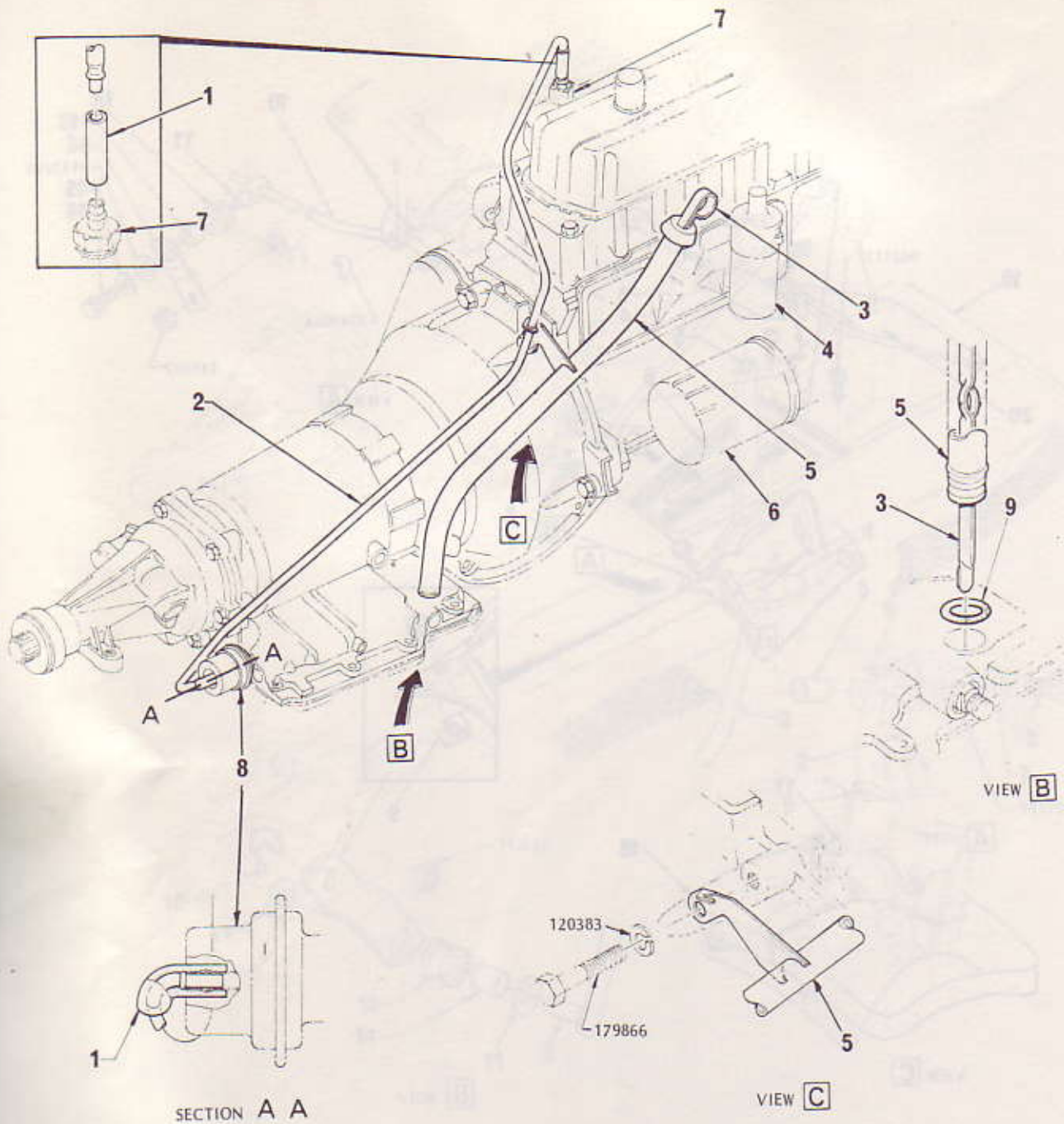
TRANSMISSION CONTROL – STEERING COLUMN SHIFT

ILLUS. REF. NO.	PART NAME	GROUP	ILLUS. REF. NO.	PART NAME	GROUP
1.	TRANSMISSION ASSEMBLY	4.003	8.	SCREW – Rod clamp	4.040
2.	TUBE ASSEMBLY	4.007	9.	GATE – Control selector	4.016
3.	ROD ASSEMBLY	4.040	10.	RETAINER – Rod to lever	4.040
4.	TRUNNION – Lever to rod	4.040	11.	WASHER – Rod to lever	4.040
5.	SLEEVE – Trunnion	4.040	12.	LEVER – External	4.041
6.	INSULATOR	4.040	13.	INSULATOR – Rod to lever	4.040
7.	WASHER – Spring	4.040	14.	SLEEVE – Rod to lever	4.040



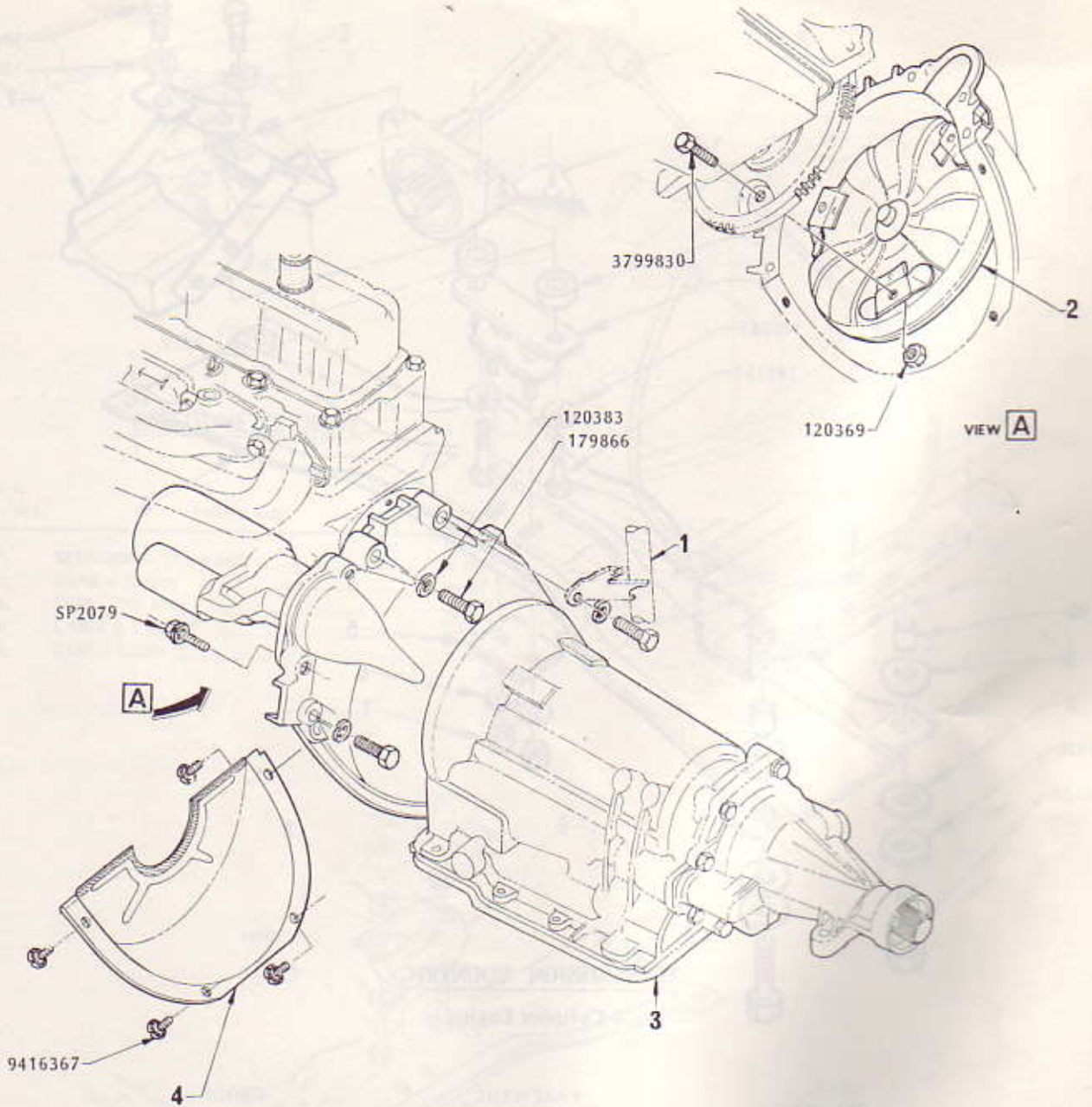
TRANSMISSION CONTROL – CONSOLE SHIFT

ILLUS. REF. NO.	PART NAME	GROUP	ILLUS. REF. NO.	PART NAME	GROUP
1.	BUMPER – Lid	15.292	11.	TRUNNION – Rod to lever	4.040
2.	BUTTON	4.009	12.	INSULATOR	4.040
3.	SPRING	4.009	13.	SLEEVE – Trunnion	4.040
4.	HANDLE	4.009	14.	LEVER – External control	4.041
5.	LEVER ASSEMBLY	4.006	15.	WASHER – Spring	4.040
6.	COVER – Control housing	15.293	16.	SCREW – Rod clamp	4.040
7.	BOLT – Support to floor	4.010	17.	SWITCH ASSEMBLY	4.054
8.	SUPPORT ASSEMBLY	4.010	18.	INSULATOR – Lever & support	4.015
9.	NUT – Support to floor	4.010	19.	HOUSING	15.290
10.	ROD ASSEMBLY	4.040	20.	LID ASSEMBLY	15.292



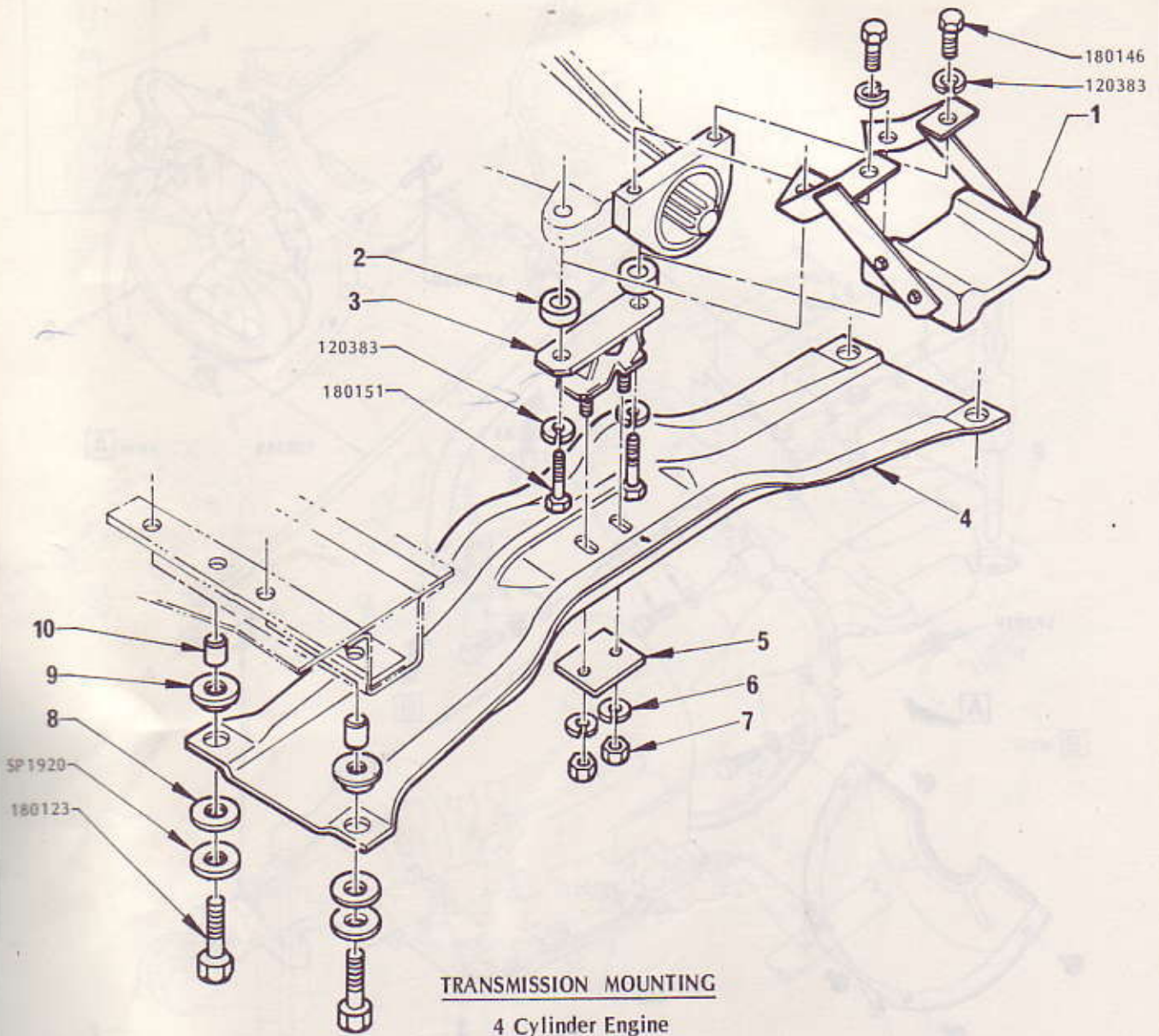
TRANSMISSION VACUUM MODULATOR and OIL FILLER

ILLUS. REF. NO.	PART NAME	GROUP	ILLUS. REF. NO.	PART NAME	GROUP
1.	SLEEVE - Modulator pipe	4.205	6.	FILTER ASSEMBLY - Oil	1.835
2.	PIPE - Vacuum modulator	4.205	7.	ADAPTOR - Vacuum	3.265
3.	INDICATOR ASSY. - Oil level	4.133	8.	MODULATOR ASSY. - Vacuum	4.265
4.	COIL ASSEMBLY	2.170	9.	'O' RING - Tube to case	4.133
5.	TUBE ASSEMBLY - Oil filler	4.133			



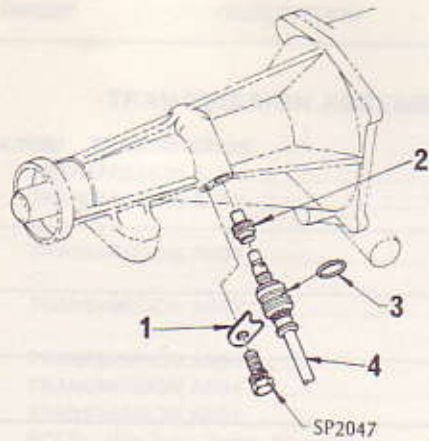
TRANSMISSION CONVERTER, LOWER COVER

ILLUS. REF. NO.	PART NAME	GROUP
1.	TUBE - Oil level indicator	1.516
2.	CONVERTER ASSEMBLY - Transmission	4.156
3.	TRANSMISSION ASSEMBLY	4.003
4.	COVER - Transmission converter	0.679



TRANSMISSION MOUNTING
4 Cylinder Engine

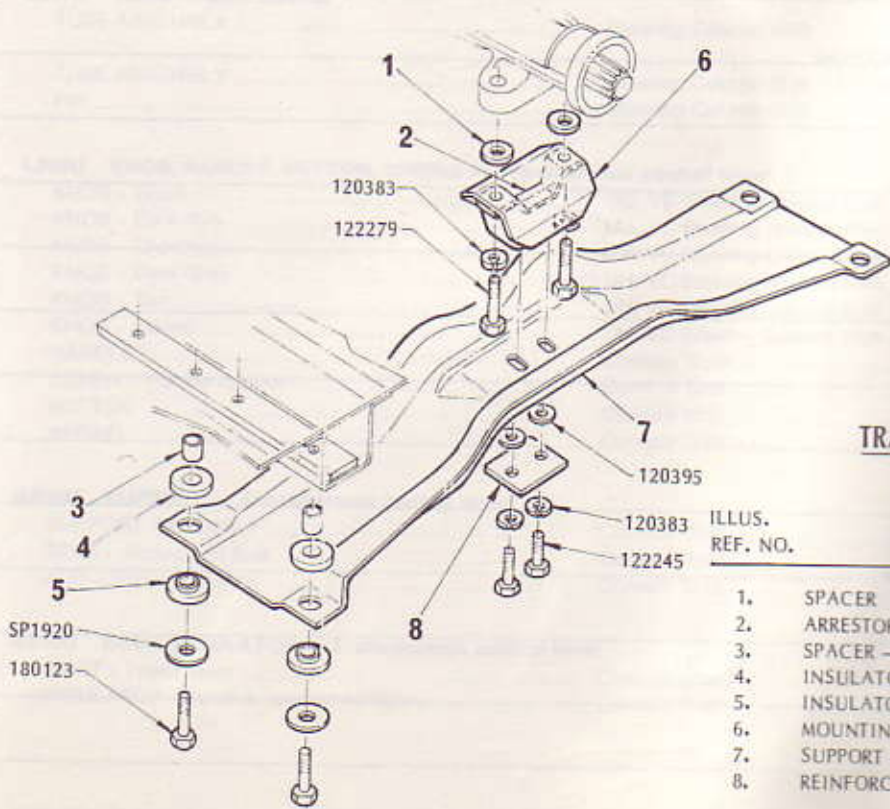
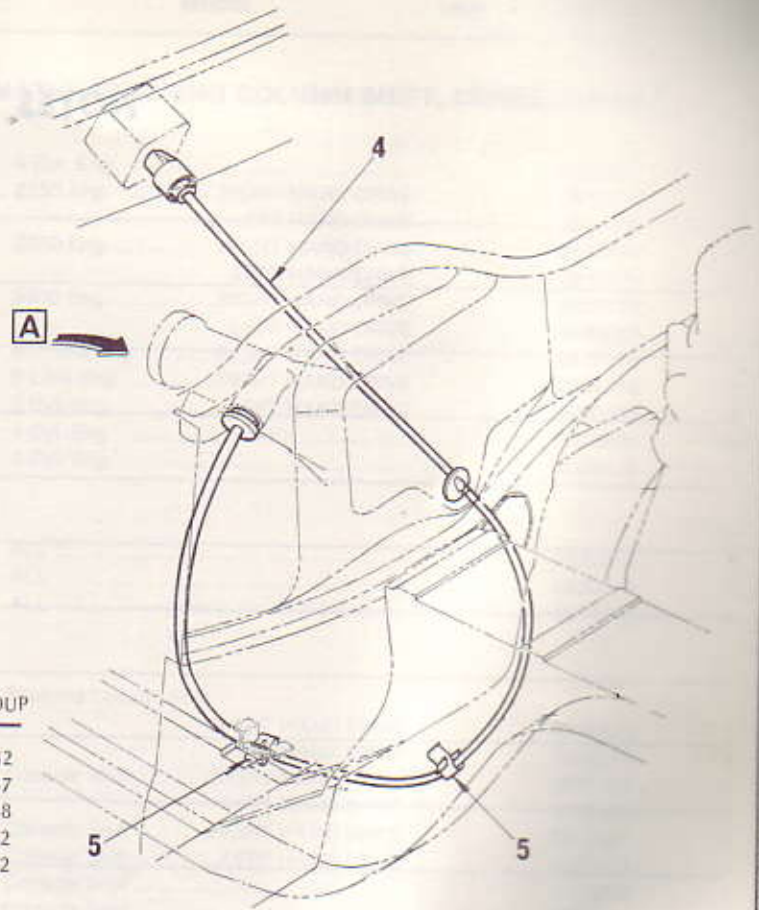
ILLUS. REF. NO.	PART NAME	GROUP
1.	BRACKET & DAMPER ASSY.	4.081
2.	SPACER	4.081
3.	MOUNTING	4.081
4.	SUPPORT - Engine rear mounting	12.982
5.	REINFORCEMENT	4.081
6.	WASHER - Mounting to support	4.081
7.	NUT - Mounting to support	4.081
8.	INSULATOR - Support lower	12.982
9.	INSULATOR - Support upper	12.982
10.	SPACER - Engine rear mounting support	12.982



VIEW **A**

SPEEDOMETER DRIVE

ILLUS. REF. NO.	PART NAME	GROUP
1.	RETAINER – Drive end	4.342
2.	GEAR – Driven	4.337
3.	SEAL – 'O' Ring	4.338
4.	CABLE & CASING	4.342
5.	CLIP – Cable	4.342



TRANSMISSION MOUNTING
6 & 8 Cylinder Engines

ILLUS. REF. NO.	PART NAME	GROUP
1.	SPACER	4.081
2.	ARRESTOR	4.081
3.	SPACER – Mounting support	12.982
4.	INSULATOR – Support upper	12.982
5.	INSULATOR – Support lower	12.982
6.	MOUNTING ASSEMBLY	4.081
7.	SUPPORT – Rear mounting	12.982
8.	REINFORCEMENT	4.081

NOTES

A large rectangular area containing horizontal lines for writing notes. The lines are evenly spaced and cover most of the page's width and height. There is a faint, large-scale watermark of a car chassis or engine diagram visible in the background of this area.

HOLDEN "LH" PARTS CATALOGUE

GROUP	DESCRIPTION	MODEL	SIDE	PART No.	QTY.
TRANSMISSION ASSEMBLY, AUTOMATIC, STEERING COLUMN SHIFT, CONSOLE SHIFT					
4.003U TRANSMISSION					
TRANSMISSION ASSY.	4 Cyl. Eng.			9930271	1
TRANSMISSION ASSY.	2250 Eng.	RIGHT HAND DRIVE		2817778	1
		LEFT HAND DRIVE		2817777	1
TRANSMISSION ASSY.	2850 Eng.	RIGHT HAND DRIVE		2817774	1
		LEFT HAND DRIVE		2817773	1
TRANSMISSION ASSY.	3300 Eng.	RIGHT HAND DRIVE		2817779	1
		LEFT HAND DRIVE		9935032	1
TRANSMISSION ASSY.	4.2 Litre Eng.	RIGHT HAND DRIVE		2817775	1
TRANSMISSION ASSY.	5 Litre Eng.	RIGHT HAND DRIVE		2817776	1
TRANSMISSION ASSY.	8 Cyl. Eng.	LEFT HAND DRIVE		9930272	1
BOLT - Hex. hd. - Trans. to engine	4 Cyl. Eng.			2000498	5
BOLT - Hex. hd. - Trans. to engine	4 Cyl. Eng.			2000418	1
4.005U GASKET SET - Transmission					
GASKET & SEAL SET - Minor	ALL			2820213	1
GASKET & SEAL SET - Major	ALL			2820214	1
SEAL KIT	ALL			2811196	1
4.006U LEVER - Transmission control					
LEVER ASSY.	Steering Column Shift				
		RIGHT HAND DRIVE		9928845	1
		LEFT HAND DRIVE		9934375	1
LEVER & SUPPORT ASSY.	Console Shift	RIGHT HAND DRIVE		2817162	1
		LEFT HAND DRIVE		9929833	1
LEVER ASSY.	Console Shift	RIGHT HAND DRIVE		2817027	1
LEVER ASSY.	Console Shift	LEFT HAND DRIVE		9929821	1
PLUNGER	Console Shift			2817028	1
SPRING	Console Shift			2817074	1
DAMPER - Plunger	Console Shift			2822163	1
4.007U TUBE - Shift control					
TUBE ASSEMBLY	Steering Column Shift				
		RIGHT HAND DRIVE		9929053	1
TUBE ASSEMBLY	Steering Column Shift	LEFT HAND DRIVE		9929638	1
PIN	Steering Column Shift			7429551	1
4.009U KNOB, HANDLE, BUTTON, SPRING - Transmission control lever					
KNOB - Black	UG, VB Steering Column Shift			2813559BA	1
KNOB - Dark Ash	UH, VC Steering Column Shift			2813559DD	1
KNOB - Chestnut	UH, VC Steering Column Shift			2813559DG	1
KNOB - Dark Grey	UH, VC Steering Column Shift			2813559DS	1
KNOB - Tan	UH, VC Steering Column Shift			2813559DX	1
KNOB - Covert	UH, VC Steering Column Shift			2813559DY	1
HANDLE	Console Shift			9930061	1
SCREW - Handle to lever	Console Shift			189995	1
BUTTON	Console Shift			9930164	1
SPRING	Console Shift			2825528	1
4.010U SUPPORT - Transmission control lever					
SUPPORT ASSEMBLY	Console Shift			2817163	1
BOLT - Support to floor	Console Shift			7436618	4
NUT - Support to floor	Console Shift			SP2024	4
4.015U BOOT, INSULATOR - Transmission control lever					
BOOT - Lower lever	Console Shift			2816985	1
INSULATOR - Lever & support to floor	Console Shift			2824609	1

HOLDEN "LH" PARTS CATALOGUE

GROUP	DESCRIPTION	MODEL	SIDE	PART No.	QTY.
TRANSMISSION ASSEMBLY, AUTOMATIC, STEERING COLUMN SHIFT, CONSOLE SHIFT					
4.016U	GATE — Transmission control selector				
	GATE	Steering Column Shift .RIGHT HAND DRIVE		2812256	1
		LEFT HAND DRIVE		9929146	1
	GATE	Console Shift		2817097	1
	PIN - Spring 3/8" x 1"	Console Shift		455481	1
	SCREW - Gate to support	Console Shift		9411397	2
4.017U	SPRING — Transmission shift control				
	SPRING - Lever anti-rattle	Steering Column Shift		7439930	1
4.018U	SUPPORT — Transmission control lever				
	SUPPORT	Steering Column Shift .RIGHT HAND DRIVE		9928914	1
		LEFT HAND DRIVE		9930108	1
	SPACER - Support	Steering Column Shift		9933746	1
	WASHER - Support	Steering Column Shift		9933747	1
4.038U	HOUSING, DIAL, POINTER — Transmission control indicator				
	HOUSING & DIAL ASSY. - Black	UG, VB, VC Steering Column Shift			
		RIGHT HAND DRIVE		9928500BA	1
		LEFT HAND DRIVE		9930747BA	1
	HOUSING & DIAL ASSY. - Dark Ash	VC Steering Column Shift			
		RIGHT HAND DRIVE		9928500DD	1
		LEFT HAND DRIVE		9930747DD	1
	HOUSING & DIAL ASSY. - Chestnut	VC Steering Column Shift			
		RIGHT HAND DRIVE		9928500DG	1
		LEFT HAND DRIVE		9930747DG	1
	HOUSING & DIAL ASSY. - Dark Grey	VC Steering Column Shift			
		RIGHT HAND DRIVE		9928500DS	1
		LEFT HAND DRIVE		9930747DS	1
	HOUSING & DIAL ASSY. - Tan	VC Steering Column Shift			
		RIGHT HAND DRIVE		9928500DX	1
		LEFT HAND DRIVE		9930747DX	1
	HOUSING & DIAL ASSY. - Covert	VC Steering Column Shift			
		RIGHT HAND DRIVE		9928500DY	1
		LEFT HAND DRIVE		9930747DY	1
	SCREW - Housing to column	Steering Column Shift		SP1961	2
	SOCKET & LEAD - Illumination	Steering Column Shift		9930751	1
	RETAINER - Bulb socket	Steering Column Shift		2822635	1
	SCREW - Bulb socket retainer	Steering Column Shift		SP2427	1
	BULB - Miniature wedge base 12V 1.2W	Steering Column Shift		SP2103	1
	POINTER	Steering Column Shift	N4A	9928491	1
	COVER - Pointer	Steering Column Shift		7419642	1
	POINTER	Console Shift		9933681	1
	SLIDE	Console Shift		2820284	1
	DIAL	Console ShiftRIGHT HAND DRIVE		9936935	1
		LEFT HAND DRIVE		9936978	1
	FILTER - Dial	Console ShiftRIGHT HAND DRIVE		VS13170	1
		LEFT HAND DRIVE		VS13171	1
	PLATE - Control cover	Console ShiftRIGHT HAND DRIVE		2820286	1
		LEFT HAND DRIVE		9928763	1
	PLATE - Lamp mounting	Console ShiftRIGHT HAND DRIVE		2820285	1
	BULB - 12-16V, 2 C.P. S.C.	Console Shift		9417863	1
4.040U	TRUNNION, SLEEVE, INSULATOR, ROD, SHAFT, LEVER — Transmission control				
	TRUNNION - Lever to rod	Steering Column Shift		2814030	1
	SLEEVE - Trunnion	Steering Column Shift		2814031	1
	INSULATOR	Steering Column Shift		2814033	1
	WASHER - Spring	Steering Column Shift		1367656	1
	SCREW - Rod clamp	Steering Column Shift		SP2459	1
	ROD ASSY.	6 Cyl. Eng. Steering Column Shift			
		RIGHT HAND DRIVE		2824227	1
		LEFT HAND DRIVE		9929148	1

HOLDEN "LH" PARTS CATALOGUE

GROUP	DESCRIPTION	MODEL	SIDE	PART No.	QTY.
TRANSMISSION ASSEMBLY, AUTOMATIC, STEERING COLUMN SHIFT, CONSOLE SHIFT					
4.040U TRUNNION, SLEEVE, INSULATOR, ROD, SHAFT, LEVER — Transmission control (contd.)					
	SLEEVE - Rod to external lever	Steering Column Shift		7427808	1
	INSULATOR - Rod to external lever	Steering Column Shift		7427807	1
	WASHER - Rod to external lever	Steering Column Shift		SP1445	2
	RETAINER - Rod to external lever	Steering Column Shift		3749084	1
	SHAFT - Control lower	Console Shift		2817133	1
	PIN - Spring $\frac{3}{16}$ " x 1"	Console Shift		455481	3
	BUSH - Shaft	Console Shift		7438537	1
	RETAINER - Shaft	Console Shift		2817218	1
	LEVER - Lower	Console Shift	RIGHT HAND DRIVE	2817018	1
			LEFT HAND DRIVE	9929849	1
	ROD ASSY.	4 Cyl. Eng. Console Shift		9937814	1
	ROD ASSY.	6, 8 Cyl. Eng. Console Shift			
			RIGHT HAND DRIVE	9929587	1
			LEFT HAND DRIVE	9929995	1
	RETAINER - Rod to lever	Console Shift		3749084	1
	TRUNNION - Rod to lever	Console Shift		2814030	1
	SLEEVE - Trunnion	Console Shift		2814031	1
	INSULATOR	Console Shift		2814033	1
	WASHER - Spring	Console Shift		1367656	1
	SCREW - Rod clamp	Console Shift		SP2459	1
4.041U LEVER — Transmission external control					
	LEVER	6 Cyl. Eng. Steering Column Shift			
			RIGHT HAND DRIVE	2824226	1
			LEFT HAND DRIVE	9928947	1
	LEVER	Console Shift	RIGHT HAND DRIVE	2818195	1
			LEFT HAND DRIVE	9929850	1
4.054U SWITCH — Neutral starting and back-up					
	SWITCH ASSEMBLY	Steering Column Shift			
			RIGHT HAND DRIVE	2815222	1
			LEFT HAND DRIVE	1993404	1
	SWITCH ASSEMBLY	Console Shift		2819807	1
4.054U SWITCH — Solenoid detent actuating					
	SWITCH ASSEMBLY	ALL		2819605	1
	BRACKET ASSEMBLY - Switch mounting	ALL		9929282	1
	NUT - Switch mounting	ALL		858388	1
4.055U HARNESS — Neutral starting safety switch					
	HARNESS ASSEMBLY	Console Shift		9929951	1
	BODY - Terminal 2 way female	Console Shift		2962679	1
	BODY - Terminal 2 way male	Console Shift		2977763	1
	BODY - Terminal 2 way male	Console Shift		2973431	1
	BODY - Terminal 2 way panel	Console Shift		2962967	1
	BODY - Lamp socket	Console Shift		5297797	1
	SPRING - Lamp socket	Console Shift		2962243	1
4.081U MOUNTING — Transmission support					
	MOUNTING ASSY.	4, 6 Cyl. Eng.		7432235	1
	MOUNTING ASSY.	8 Cyl. Eng.		2806617	1
	NUT - Mounting support	4 Cyl. Eng.		2064229	2
	SPACER	4 Cyl. Eng.		9928668	2
	SPACER	6, 8 Cyl. Eng.		9934096	2
	ARRESTOR	ALL		7432222	1
	BRACKET & DAMPER ASSY.	4 Cyl. Eng.		9937816	1
	REINFORCEMENT	4 Cyl. Eng.		2825365	1
	REINFORCEMENT	6 Cyl. Eng.		9928656	1

HOLDEN "LH" PARTS CATALOGUE

GROUP	DESCRIPTION	MODEL	SIDE	PART No.	QTY.
TRANSMISSION ASSEMBLY, AUTOMATIC, STEERING COLUMN SHIFT, CONSOLE SHIFT					
4.103U CASE — Transmission					
CASE ASSY.		RIGHT HAND DRIVE		2818390	1
		LEFT HAND DRIVE		2818391	1
BUSHING - Case	ALL			5258191	1
BALL - 1/4"	ALL			169108	1
4.104U VENT — Transmission					
VENT ASSY.	ALL			3820840	1
CAP - Vent	ALL			9940576	1
SLEEVE - Vent	ALL			9940575	1
4.127U RING — Transmission oil seal (Metal)					
RING KIT	ALL			2811197	1
RING - Servo piston	ALL			5258159	1
RING - Accumulator piston	ALL			8623853	1
RING - 2nd clutch oil seal	ALL			9938079	2
RING - Governor hub oil seal	ALL			5258100	3
4.128U PIPE — Transmission oil cooler					
PIPE ASSY. - Inlet	4 Cyl. Eng. Reg. Rad. exc. Air Cond.			9931816	1
PIPE ASSY. - Inlet	4 Cyl. Eng. H/Duty Rad.			9931818	1
PIPE ASSY. - Inlet	4 Cyl. Eng. Air Cond.			9931818	1
PIPE ASSY. - Inlet	6 Cyl. Eng.			9931892	1
PIPE ASSY. - Inlet	8 Cyl. Eng.			9930353	1
PIPE ASSY. - Outlet	4 Cyl. Eng. Reg. Rad. exc. Air Cond.			9931817	1
PIPE ASSY. - Outlet	4 Cyl. Eng. H/Duty Rad.			9931819	1
PIPE ASSY. - Outlet	4 Cyl. Eng. Air Cond.			9931819	1
PIPE ASSY. - Outlet	6 Cyl. Eng. Reg. Rad. exc. Air Cond.			9931893	1
PIPE ASSY. - Outlet	6 Cyl. Eng. H/Duty Rad.			9931896	1
PIPE ASSY. - Outlet	6 Cyl. Eng. Air Cond.			9931896	1
PIPE ASSY. - Outlet	8 Cyl. Eng.			9930070	1
CLIP - Inlet to outlet pipe	ALL			3710497	3
CLIP - Pipes to engine	4 Cyl. Eng.			9931815	1
CONNECTOR - Pipes to rad. & trans.	ALL			145475	4
4.128U RING — Transmission retainer and snap					
RING - Servo piston retainer	ALL			5258121	1
RING - Retainer front accumulator piston	ALL			5259667	1
RING - Reverse clutch piston return spring seat retainer	ALL			5258093	1
RING - 2nd clutch piston return spring seat retainer	ALL			5258093	1
RING - 3rd clutch piston return spring retainer	ALL			5258094	1
RING - 3rd clutch retainer	ALL			5258132	1
RING - Governor to output shaft	ALL			5258116	1
RING - Ring gear retainer	ALL			8958619	2
4.129U WASHER — Transmission thrust					
WASHER - Clutch (Yellow) .070" - .074"	ALL			(* 5258202	1
WASHER - Clutch (Blue) .076" - .080"	ALL			(* 5258203	1
WASHER - Clutch (Red) .081" - .085"	ALL			(* 5258204	1
WASHER - Clutch (Brown) .086" - .090"	ALL			(* 5258205	1
WASHER - Clutch (Green) .091" - .095"	ALL			(* 5258206	1
WASHER - Clutch (Black) .097" - .101"	ALL			(* 5258207	1
WASHER - 2nd & 3rd clutch (Steel)	ALL			5258090	1
WASHER - 2nd & 3rd clutch (Bronze)	ALL			5258091	1
WASHER - Reaction sun gear & drum	ALL			5258046	2

Note: (*) Selective fit.

HOLDEN "LH" PARTS CATALOGUE

GROUP	DESCRIPTION	MODEL	SIDE	PART No.	QTY.
TRANSMISSION ASSEMBLY, AUTOMATIC, STEERING COLUMN SHIFT, CONSOLE SHIFT					
4.133U	TUBE, INDICATOR, "O" RING — Transmission oil				
	TUBE ASSY. - Oil filler	4 Cyl. Eng.		749005	1
	INDICATOR ASSY. - Oil level	4 Cyl. Eng.		749206	1
	TUBE ASSY. - Oil filler	6 Cyl. Eng.		2805057	1
	INDICATOR ASSY. - Oil level	6 Cyl. Eng.		2805059	1
	TUBE ASSY. - Oil filler	8 Cyl. Eng.		7449561	1
	INDICATOR ASSY. - Oil level	8 Cyl. Eng.		7449562	1
	"O" RING - Tube to case	ALL		6255641	1
4.153U	CLUTCH — Third				
	CLUTCH ASSY.	4 Cyl. Eng.		2816432	1
	CLUTCH ASSY.	2250 Eng.		2816432	1
	CLUTCH ASSY.	2850, 3300 Eng.		2816433	1
	CLUTCH ASSY.	4.2 Litre Eng.		(¹⁸ 2820995	1
	CLUTCH ASSY.	4.2 Litre Eng.		(²⁰ 2816434	1
	CLUTCH ASSY.	5 Litre Eng.		2816434	1
4.153U	DRUM and INPUT SHAFT — 3rd clutch				
	DRUM & INPUT SHAFT ASSY.	4, 6 Cyl. Eng.		5258095	1
	DRUM & INPUT SHAFT ASSY.	8 Cyl. Eng.		5258350	1
	BALL - 1/4"	ALL		169108	1
4.156U	CONVERTER — Transmission				
	CONVERTER ASSY.	4 Cyl. Eng.		9936979	1
	CONVERTER ASSY.	2250 Eng.		5258294	1
	CONVERTER ASSY.	2850, 3300 Eng.		5258293	1
	CONVERTOR ASSY.	4.2 Litre Eng.		2820507	1
	CONVERTER ASSY.	5 Litre Eng.		3850525	1
	BOLT - Converter to drive plate	4 Cyl. Eng.		SP2563	3
	BOLT - Converter to drive plate	6, 8 Cyl. Eng.		3799830	3
4.158U	CLUTCH — Second				
	CLUTCH ASSY.	4 Cyl. Eng.		2816426	1
	CLUTCH ASSY.	2250 Eng.		2816426	1
	CLUTCH ASSY.	2850, 3300 Eng.		2816427	1
	CLUTCH ASSY.	4.2 Litre Eng.		(¹⁸ 2816428	1
	CLUTCH ASSY.	4.2 Litre Eng.		(²⁰ 2820994	1
	CLUTCH ASSY.	5 Litre Eng.		2820994	1
4.158U	DRUM, BUSHING, SPRAG — Transmission clutch				
	DRUM ASSY. - 2nd clutch	ALL		5258129	1
	BUSHING - 2nd clutch hub	ALL		5258128	1
	BUSHING - Reaction sun gear drum	ALL		2816491	1
	SPRAG ASSY. - Input	ALL		5258137	1
	RACE & RETAINER ASSY. - 3rd clutch input sprag	ALL		5258351	1
4.163U	PLATE, SPACER — Clutch				
	PLATE ASSY. - 2nd drive	4 Cyl. Eng.		5258025	3
	PLATE ASSY. - 2nd drive	2250 Eng.		5258025	3
	PLATE ASSY. - 2nd drive	2850, 3300 Eng.		5258025	4
	PLATE ASSY. - 2nd drive	4.2 Litre Eng.		5258025	5-6
	PLATE ASSY. - 2nd drive	5 Litre Eng.		5258025	6
	PLATE - 2nd driven	4 Cyl. Eng.		5258057	4
	PLATE - 2nd driven	2250 Eng.		5258057	4
	PLATE - 2nd driven	2850, 3300 Eng.		5258057	5
	PLATE - 2nd driven	4.2 Litre Eng.		5258057	6-7
	PLATE - 2nd driven	5 Litre Eng.		5258057	7
	PLATE - 2nd cushion	ALL		5258990	1

Note: (¹⁸ Calibration B.
(²⁰ Calibration C.

HOLDEN "LH" PARTS CATALOGUE

GROUP	DESCRIPTION	MODEL	SIDE	PART No.	QTY.
TRANSMISSION ASSEMBLY, AUTOMATIC, STEERING COLUMN SHIFT, CONSOLE SHIFT					
4.163U	PLATE, SPACER — Clutch (contd.)				
	PLATE - 3rd drive	4 Cyl. Eng.		5258035	3
	PLATE - 3rd drive	2250 Eng.		5258035	3
	PLATE - 3rd drive	2850, 3300 Eng.		5258035	4
	PLATE - 3rd drive	4.2 Litre Eng.		5258035	4-5
	PLATE - 3rd drive	5 Litre Eng.		5258035	5
	PLATE - 3rd driven	4 Cyl. Eng.		5258058	4
	PLATE - 3rd driven	2250 Eng.		5258058	4
	PLATE - 3rd driven	2850, 3300 Eng.		5258058	5
	PLATE - 3rd driven	4.2 Litre Eng.		5258058	5-6
	PLATE - 3rd driven	5 Litre Eng.		5258058	6
	PLATE - Reverse drive	4 Cyl. Eng.		5258017	3
	PLATE - Reverse drive	2250 Eng.		5258017	3
	PLATE - Reverse drive	2850, 3300 Eng.		5258017	4
	PLATE - Reverse drive	8 Cyl. Eng.		5258017	5
	PLATE - Reverse reaction	4 Cyl. Eng.		5258019	4
	PLATE - Reverse reaction	2250 Eng.		5258019	4
	PLATE - Reverse reaction	2850, 3300 Eng.		5258019	5
	PLATE - Reverse reaction	8 Cyl. Eng.		5258019	6
	PLATE - Reverse pressure	ALL		5258528	1
	PLATE - Reverse cushion	ALL		5258989	1
	SPACER - 2nd clutch plate	4 Cyl. Eng.		5258283	1
	SPACER - 2nd clutch plate	2250 Eng.		5258283	1
	SPACER - 2nd clutch plate	2850, 3300 Eng.		5258284	1
	SPACER - 2nd clutch plate	4.2 Litre Eng.		(*) 5258285	1
	SPACER - 2nd clutch plate	4.2 Litre Eng.		(*) 2820681	1
	SPACER - 2nd clutch plate	5 Litre Eng.		2820681	1
4.164U	SPRING — Clutch piston return				
	SPRING - 2nd clutch	ALL		5258124	22
	SPRING - 3rd clutch	ALL		5258124	12
	SPRING - Reverse clutch	ALL		5258124	24
4.165U	SEAT — Clutch piston return spring				
	SEAT - 2nd clutch	ALL		5258038	1
	SEAT - 3rd clutch	ALL		5258039	1
4.166U	PISTON, SEAL — Clutch				
	PISTON ASSY. - 2nd clutch	ALL		5258109	1
	PISTON ASSY. - 3rd clutch	4 Cyl. Eng.		5258111	1
	PISTON ASSY. - 3rd clutch	2250 Eng.		5258111	1
	PISTON ASSY. - 3rd clutch	2850, 3300 Eng.		5258112	1
	PISTON ASSY. - 3rd clutch	4.2 Litre Eng.		(*) 5258112	1
	PISTON ASSY. - 3rd clutch	4.2 Litre Eng.		(*) 5258323	1
	PISTON ASSY. - 3rd clutch	5 Litre Eng.		5258323	1
	PISTON - Reverse clutch	4 Cyl. Eng.		5258001	1
	PISTON - Reverse clutch	2250 Eng.		5258001	1
	PISTON - Reverse clutch	2850, 3300 Eng.		5258002	1
	PISTON - Reverse clutch	8 Cyl. Eng.		5258289	1
	SEAL - 2nd clutch piston inner	ALL		5258043	1
	SEAL - 2nd clutch piston outer	ALL		5258041	1
	SEAL - 3rd clutch piston inner	ALL		5258543	1
	SEAL - 3rd clutch piston outer	ALL		5258042	1
	SEAL - Reverse clutch piston inner	ALL		5258005	1
	SEAL - Reverse clutch piston outer	ALL		5258004	1

Note: (*) Calibration B.
(*) Calibration C.

HOLDEN "LH" PARTS CATALOGUE

GROUP	DESCRIPTION	MODEL	SIDE	PART No.	QTY.
TRANSMISSION ASSEMBLY, AUTOMATIC, STEERING COLUMN SHIFT, CONSOLE SHIFT					
4.177U CARRIER and COMPONENTS — Planet					
	GEAR SET PACKAGE	ALL		(¹ 2822065	1
	CARRIER ASSY. — Planet	ALL		2816419	1
	CARRIER & SHAFT ASSY. — Output	ALL		2816507	1
	GEAR ASSY. — Input sun	ALL		2816435	1
	GEAR & DRUM ASSY. — Reaction sun	ALL		2816438	1
	SLEEVE — Reaction sun drum bearing	ALL		5258158	1
	PINION PACKAGE — Long	ALL		2816441	1
	PINION PACKAGE — Short	ALL		2816442	1
	SHAFT — Long pinion	ALL		5258054	4
	SHAFT — Short pinion	ALL		5258055	4
	PLATE — Pinion shaft lock	ALL		5258545	1
	SCREW — Pinion shaft lock plate	ALL		5259609	4
	WASHER — Short pinion (Steel)	ALL		2816422	8
	WASHER — Short pinion (Bronze)	ALL		2816423	8
	WASHER — Long pinion (Steel)	ALL		5258065	8
	WASHER — Long pinion (Bronze)	ALL		5258066	8
	BEARING PACKAGE — Needle roller	ALL		M36815	1
	BEARING — Needle roller	ALL		8625657	260
	SPACER — Needle roller bearing	ALL		5258087	4
	WASHER — Input sun gear to carrier assy.	ALL		5258554	1
	WASHER — Input shaft to sun gear thrust	ALL		5258555	1
	BEARING — Sun gear to carrier assy.	ALL		5258553	1
	BEARING — Input shaft to sun gear thrust	ALL		5258553	1
	BEARING — Reaction sun gear, 1 $\frac{3}{16}$ " O.D.	ALL		5686837	2
	BEARING — Reaction sun gear, 2 $\frac{1}{16}$ " O.D.	ALL		1194560	2
4.187U GEAR — Transmission ring					
	GEAR	ALL		2816429	1
4.189U SEAT — Reverse clutch piston return spring					
	SEAT	ALL		5258021	1
4.195U PAN — Transmission oil					
	PAN ASSY.	ALL		9939353	1
	SCREW — Hex. hd. mach. $\frac{3}{16}$ " — 18 x $\frac{5}{16}$ "	ALL		3829139	12
	SCREW & GASKET ASSY. — Drain	ALL		7423483	1
	GASKET — Drain screw	ALL		513975	1
4.196U GASKET — Transmission oil pan					
	GASKET	ALL		2822944	1
4.205U PIPE, SLEEVE — Transmission vacuum modulator					
	PIPE	4 Cyl. Eng.		9931777	1
	PIPE	6 Cyl. Eng.		9931778	1
	PIPE	8 Cyl. Eng.		9931779	1
	SLEEVE — Mod. pipe	ALL		7420336	2
	CLIP — Mod. pipe to housing	4 Cyl. Eng.		731831	1
4.212U COVER — Transmission servo					
	COVER	ALL		2814877	1
	GASKET — Cover	ALL		5258339	1
4.223U GASKET — Oil pump suction screen					
	GASKET	ALL		2823667	1

Note: (¹ Gear set package consists of carrier assy., ring gear, reaction sun gear assy., input sun gear assy.)

HOLDEN "LH" PARTS CATALOGUE

GROUP	DESCRIPTION	MODEL	SIDE	PART No.	QTY.
TRANSMISSION ASSEMBLY, AUTOMATIC, STEERING COLUMN SHIFT, CONSOLE SHIFT					
4.224U	SCREEN — Transmission oil pump suction				
	SCREEN ASSY.	ALL		5258130	1
4.226U	PUMP — Oil and components				
	BUSHING - Body	ALL		9930035	1
	VALVE - Pressure regulator booster	4, 6 Cyl. Eng.		5258143	1
	VALVE - Pressure regulator booster	4.2 Litre Eng.		5258143	1
	VALVE - Pressure regulator booster	5 Litre Eng.		9929678	1
	VALVE - Priming	ALL		5258344	1
	SPRING - Priming valve	ALL		5258586	1
	VALVE - Pressure regulator	ALL		5258140	1
	SPRING - Pressure regulator valve	4 Cyl. Eng.		5258166	1
	SPRING - Pressure regulator valve	2250, 2850 Eng.		5258166	1
	SPRING - Pressure regulator valve	3300 Eng.		2810499	1
	SPRING - Pressure regulator valve	4.2 Litre Eng.		(¹⁹ 5258166	1
	SPRING - Pressure regulator valve	4.2 Litre Eng.		(²⁰ 2810499	1
	SPRING - Pressure regulator valve	5 Litre Eng.		9929628	1
	PIN - Pressure regulator valve (Chamfer $\frac{1}{8}$ " x $1\frac{1}{16}$ ")	ALL		114468	1
	PLATE - Wear	ALL		5258850	1
	SEAL - Oil pump outer	ALL		5258119	1
	SEAT - Pressure regulator valve spring	ALL		5258219	2
	BODY & GEAR PACKAGE (Matched Set)	ALL		9929279	1
	SLEEVE - Pressure regulator booster valve	4, 6 Cyl. Eng.		5258161	1
	SLEEVE - Pressure regulator booster valve	4.2 Litre Eng.		5258161	1
	SLEEVE - Pressure regulator booster valve	5 Litre Eng.		9929677	1
	RETAINER - Priming valve	ALL		3784609	1
	GASKET - Oil pump assy.	ALL		5258939	1
	BOLT - Flanged, hex. hd. $\frac{3}{16}$ " - 18 x $1\frac{3}{8}$ "	ALL		9423842	5
	BALL - Oil pump	ALL		453570	3
4.228U	PISTON — Servo and accumulator				
	PISTON ASSY. - Servo	4, 6 Cyl. Eng.		5258569	1
	PISTON ASSY. - Servo	4.2 Litre Eng.		(¹⁹ 5258183	1
	PISTON - Servo	4.2 Litre Eng.		(²⁰ 5258570	1
	PISTON - Servo	5 Litre Eng.		9929629	1
	PISTON - Accumulator	ALL		5258186	1
4.230U	ROD — Servo piston apply				
	ROD	ALL		9928795	1
4.233U	SPRING, RETAINER, PIN - Piston				
	SPRING - Servo piston return	4 Cyl. Eng.		5258165	1
	SPRING - Servo piston return	6 Cyl. Eng.		5258572	1
	SPRING - Servo piston return	4.2 Litre Eng.		(¹⁹ 2820888	1
	SPRING - Servo piston return	4.2 Litre Eng.		(²⁰ 9938966	1
	SPRING - Servo piston return	5 Litre Eng.		5258892	1
	SPRING - Servo piston cushion	4, 6 Cyl. Eng.		5258566	1
	SPRING - Servo piston cushion	4.2 Litre Eng.		5258564	1
	SPRING - Servo piston cushion	5 Litre Eng.		9929676	1
	RETAINER - Servo piston	ALL		5258185	1
	BOLT - Servo piston adjusting	ALL		SP2388	1
	PIN - Accumulator piston	ALL		5259666	1
	SPRING - Accumulator piston	ALL		5258563	1
4.251U	BAND — Transmission reaction				
	BAND ASSY.	ALL		5463805	1
	PIN - Band	ALL		5258190	2

Note: (¹⁹ Calibration B.
(²⁰ Calibration C.

HOLDEN "LH" PARTS CATALOGUE

GROUP	DESCRIPTION	MODEL	SIDE	PART No.	QTY.
TRANSMISSION ASSEMBLY, AUTOMATIC, STEERING COLUMN SHIFT, CONSOLE SHIFT					
4.256U GOVERNOR and COMPONENTS					
	GOVERNOR ASSY.	4 Cyl. Eng.		2820229	1
	GOVERNOR ASSY.	6, 8 Cyl. Eng.		2820230	1
	BODY - Governor valve	ALL		2820857	1
	SCREW & LOCK WASHER ASSY. - Hex. hd. mach. 1/4" - 20 x 3/4"	ALL		3805921	2
	GASKET - Governor	ALL		2818038	1
	VALVE - Primary	4 Cyl. Eng.		2820231	1
	VALVE - Primary	6, 8 Cyl. Eng.		2820232	1
	VALVE - Secondary	4 Cyl. Eng.		5258809	1
	VALVE - Secondary	6, 8 Cyl. Eng.		5258329	1
	SPRING - Secondary valve	ALL		5258547	1
	RETAINER - Secondary valve spring	ALL		5258342	1
	SCREEN ASSY. - Governor valve	ALL		5258383	1
4.265U BODY - Valve and components					
	BODY ASSY.	4 Cyl. Eng.		9928357	1
	BODY ASSY.	2250 Eng.		2818112	1
	BODY ASSY.	2850 Eng.		2824451	1
	BODY ASSY.	3300 Eng.		2824453	1
	BODY ASSY.	4.2 Litre Eng.		(* 2822253)	1
	BODY ASSY.	4.2 Litre Eng.		(* 9937778)	1
	BODY ASSY.	5 Litre Eng.		9929685	1
	BODY	4, 6 Cyl. Eng.		2811797	1
	BODY	4.2 Litre Eng.		(* 2811797)	1
	BODY	4.2 Litre Eng.		(* 9929709)	1
	BODY	5 Litre Eng.		9929709	1
	PLATE - Transfer	4, 6 Cyl. Eng.		2817631	1
	PLATE - Transfer	4.2 Litre Eng.		(* 2820743)	1
	PLATE - Transfer	4.2 Litre Eng.		(* 9937531)	1
	PLATE - Transfer	5 Litre Eng.		9929686	1
	BALL - Valve body pressure seal	ALL		147481	7
	BALL - 2nd clutch quick dump	ALL		453571	1
	BALL - Pressure regulator booster valve	ALL		453571	1
	GASKET - Transfer plate to valve body	ALL		5258443	1
	GASKET - Transfer plate to case	ALL		2825184	1
	REINFORCEMENT - Transfer plate	ALL		2817632	1
	SOLENOID & CONNECTOR ASSY. - Detent	ALL		2817633	1
	"O" RING - Solenoid	ALL		VS12096	1
	GASKET - Solenoid	ALL		2817634	1
	MODULATOR ASSY. - Vacuum	ALL		5258181	1
	PLUNGER - Vacuum modulator	ALL		5258244	1
	GASKET - Vacuum modulator	ALL		5258240	1
	VALVE - Vacuum modulator	4, 6 Cyl. Eng.		5258179	1
	VALVE - Vacuum modulator	8 Cyl. Eng.		2820777	1
	SLEEVE - Vacuum modulator valve	4, 6 Cyl. Eng.		5258180	1
	SLEEVE - Vacuum modulator valve	8 Cyl. Eng.		2820778	1
	SEAL - Vacuum modulator valve	ALL		5258338	1
	VALVE - Manual	ALL		5258145	1
	VALVE - 1st and 2nd shift	ALL		5258160	1
	VALVE - 2nd and 3rd shift	ALL		5258193	1
	VALVE - 1st and 2nd shift control	ALL		2814293	1
	VALVE - 2nd and 3rd shift control	4 Cyl. Eng.		5258215	1
	VALVE - 2nd and 3rd shift control	6, 8 Cyl. Eng.		9932546	1
	VALVE - Low speed down shift timing	ALL		5258340	1
	VALVE - High speed down shift timing	ALL		5258340	1
	VALVE - 3rd to 2nd control	ALL		5258340	1
	VALVE - Manual low control	ALL		5258213	1
	VALVE - 1st & 2nd accumulator	ALL		2814288	1
	VALVE - 1st & 2nd accumulator control	ALL		5258807	1

Note: (* Calibration B.
(** Calibration C.

HOLDEN "LH" PARTS CATALOGUE

GROUP	DESCRIPTION	MODEL	SIDE	PART No.	QTY.
TRANSMISSION ASSEMBLY, AUTOMATIC, STEERING COLUMN SHIFT, CONSOLE SHIFT					
4.265U	BODY — Valve and components (contd.)				
	VALVE - Detent pressure regulator	ALL		5258600	1
	VALVE - Reverse control	ALL		5258212	1
	PIN - Detent valve retaining	ALL		2825091	1
	PIN - Valve retaining	ALL		2820110	8
	SPRING - 1st & 2nd shift control valve	4 Cyl. Eng.		2811014	1
	SPRING - 1st & 2nd shift control valve	6, 8 Cyl. Eng.		2814312	1
	SPRING - 1st & 2nd shift control valve return	ALL		2814295	1
	SPRING - 2nd & 3rd shift control valve	ALL		5258578	1
	SPRING - Low speed down shift timing valve	4, 6 Cyl. Eng.		5258579	1
	SPRING - Low speed down shift timing valve	4.2 Litre Eng.	(¹⁹)	5258579	1
	SPRING - Low speed down shift timing valve	4.2 Litre Eng.	(²⁰)	2817224	1
	SPRING - Low speed down shift timing valve	5 Litre Eng.		5258579	1
	SPRING - High speed down shift timing valve	4 Cyl. Eng.		2816882	1
	SPRING - High speed down shift timing valve	2250 Eng.		2816882	1
	SPRING - High speed down shift timing valve	2850, 3300 Eng.		9929681	1
	SPRING - High speed down shift timing valve	4.2 Litre Eng.	(¹⁹)	2820889	1
	SPRING - High speed down shift timing valve	4.2 Litre Eng.	(²⁰)	2816882	1
	SPRING - High speed down shift timing valve	5 Litre Eng.		2816882	1
	SPRING - 3rd to 2nd control valve	4 Cyl. Eng.		2817224	1
	SPRING - 3rd to 2nd control valve	2250 Eng.		2817224	1
	SPRING - 3rd to 2nd control valve	2850 Eng.		5258584	1
	SPRING - 3rd to 2nd control valve	3300 Eng.		2816882	1
	SPRING - 3rd to 2nd control valve	4.2 Litre Eng.	(¹⁹)	2811471	1
	SPRING - 3rd to 2nd control valve	4.2 Litre Eng.	(²⁰)	2817225	1
	SPRING - 3rd to 2nd control valve	5 Litre Eng.		9929681	1
	SPRING - Manual low & reverse control valve	ALL		5258581	1
	SPRING - 1st & 2nd accumulator valve	4 Cyl. Eng.		2810537	1
	SPRING - 1st & 2nd accumulator valve	2250, 2850 Eng.		2810537	1
	SPRING - 1st & 2nd accumulator valve	3300 Eng.		2810538	1
	SPRING - 1st & 2nd accumulator valve	4.2 Litre Eng.	(¹⁹)	2810538	1
	SPRING - 1st & 2nd accumulator valve	4.2 Litre Eng.	(²⁰)	2820868	1
	SPRING - 1st & 2nd accumulator valve	5 Litre Eng.		2810538	1
	SPRING - Detent pressure regulator valve	ALL		5258582	1
	SLEEVE - 1st & 2nd shift control valve	ALL		2814294	1
	SLEEVE - 2nd & 3rd shift control valve	4 Cyl. Eng.		5258195	1
	SLEEVE - 2nd & 3rd shift control valve	6, 8 Cyl. Eng.		9932545	1
	SEAT - 2nd & 3rd shift control valve spring	ALL		5258509	1
	SEAT - Detent pressure regulator valve spring	ALL		5258805	1
	LINK - Manual valve lever	ALL		5258243	1
	PLUG - Low speed down shift timing valve	ALL		5258216	1
	PLUG - 3rd to 2nd control valve	ALL		5258216	1
	PLUG - 1st & 2nd accumulator valve	ALL		5258333	1
	PLUG - Accumulator piston access hole	ALL		453570	1
4.279U	VALVE, SPRING, SLEEVE, ROLLER — Detent				
	VALVE	ALL		2824303	1
	SPRING - Valve	ALL		9929681	1
	SLEEVE - Valve	ALL		2817627	1
	SEAL - Valve sleeve oil	ALL		5258338	1
	ROLLER & SPRING ASSY.	ALL		5258253	1
	LEVER - Park lock & range selector, inner	ALL		5258149	1
4.282U	SEAL — Park lock and range selector shaft oil				
	SEAL	ALL		8623056	1

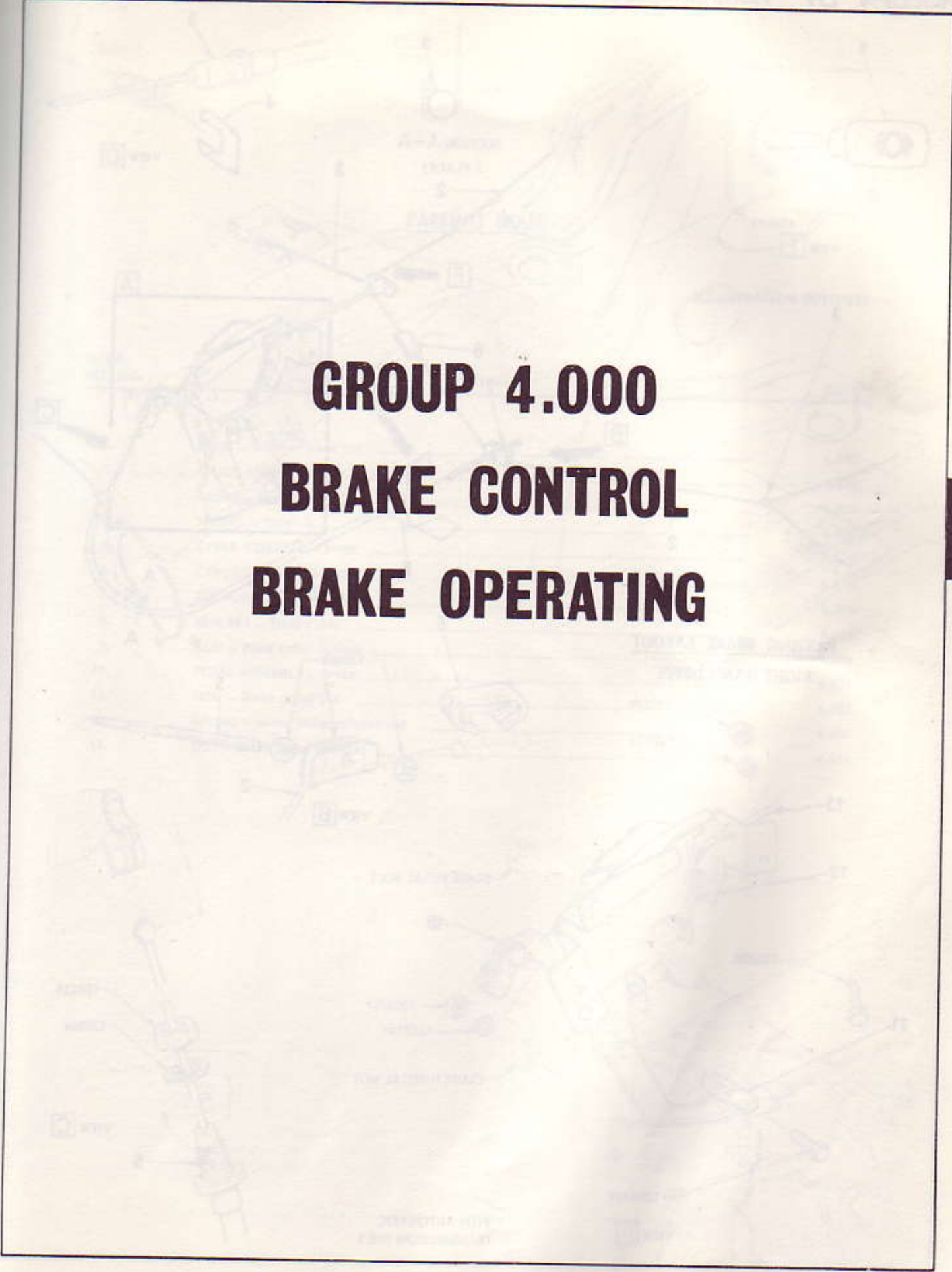
Note: (¹⁹) Calibration B.
 (²⁰) Calibration C.

HOLDEN "LH" PARTS CATALOGUE

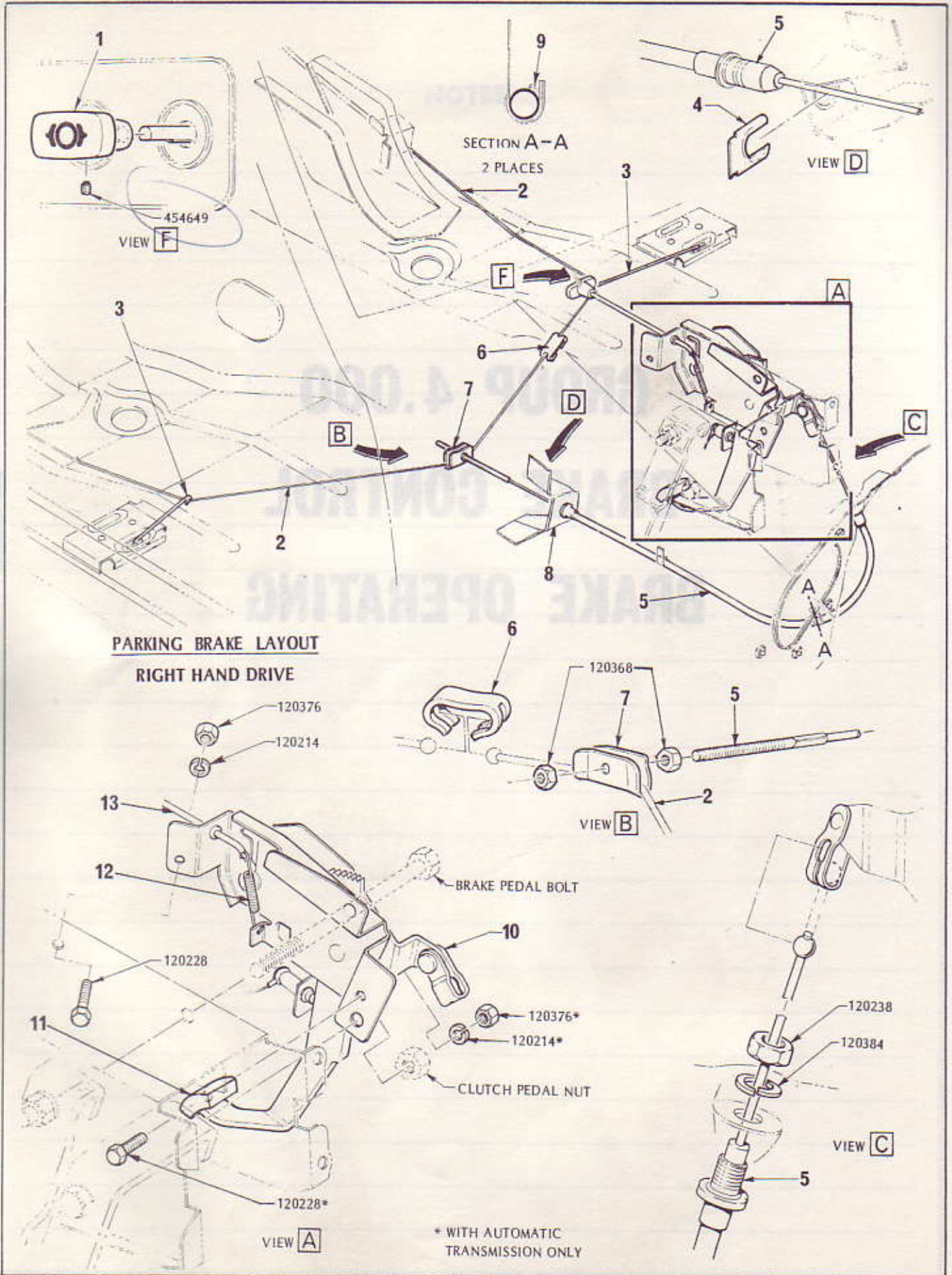
GROUP	DESCRIPTION	MODEL	SIDE	PART No.	QTY.
TRANSMISSION ASSEMBLY, AUTOMATIC, STEERING COLUMN SHIFT, CONSOLE SHIFT					
4.294U	ACTUATOR, RING, SLEEVE, SHAFT — Parking brake lock				
	ACTUATOR ASSY.	ALL		2817360	1
	RING - Actuator to inner lever	ALL		6257880	1
	SLEEVE - Actuator	ALL		5258082	1
	PAWL	ALL		5258062	1
	SHAFT - Pawl	ALL		5258366	1
	SHAFT - Park lock and range selector		RIGHT HAND DRIVE	5258286	1
			LEFT HAND DRIVE	5258241	1
4.295U	SPRING — Parking brake lock pawl disengaging				
	SPRING	ALL		5258076	1
4.317U	HOUSING — Transmission rear bearing				
	HOUSING - Rear bearing	4 Cyl. Eng.		9937806	1
	COLLAR - Damper	4 Cyl. Eng.		9937803	1
	HOUSING - Rear bearing	6, 8 Cyl. Eng.		5258484	1
	BUSHING - Housing	ALL		3717682	1
	SEAL - Housing	ALL		3932255	1
4.318U	GASKET — Transmission rear bearing housing				
	GASKET	ALL		5258199	1
4.337U	GEAR — Speedometer driven and drive				
	GEAR - Driven - 24 teeth - Yellow	4 Cyl. Eng. 3.55: 1 A.R.		7430972	1
	GEAR - Driven - 25 teeth - Light blue	4 Cyl. Eng. 3.55: 1 A.R.		7448810	1
	GEAR - Driven - 19 teeth - Pink	6 Cyl. Eng. 2.78: 1 A.R.		7430967	1
	GEAR - Driven - 21 teeth - Green	6 Cyl. Eng. 3.08: 1 A.R.		7430969	1
	GEAR - Driven - 21 teeth - Green	8 Cyl. Eng. 2.78: 1 A.R.		7430969	1
	GEAR - Driven - 22 teeth - Dark blue	8 Cyl. Eng. 2.78: 1 A.R.		7430970	1
	GEAR - Driven - 24 teeth - Yellow	8 Cyl. Eng. 3.08: 1 A.R.		7430972	1
	GEAR - Drive	4, 6 Cyl. Eng.		5258493	1
	GEAR - Drive	8 Cyl. Eng.		5258494	1
	CLIP - Drive gear	ALL		1373122	1
4.338U	"O" RING — Speedometer driven gear				
	"O" RING	ALL		7430921	1
4.342U	CABLE and CASING, GROMMET, RETAINER — Speedometer				
	CABLE & CASING	4 Cyl. Eng.		9930087	1
	CABLE & CASING	6, 8 Cyl. Eng. <i>N/A</i>	RIGHT HAND DRIVE	2824560	1
			LEFT HAND DRIVE	9930480	1
	CABLE KIT	4 Cyl. Eng.		VS12418	1
	CABLE KIT	6, 8 Cyl. Eng.	RIGHT HAND DRIVE	VS12415	1
			LEFT HAND DRIVE	VS12419	1
	CLIP - Pipe & cable to side member	ALL		SP1885	1
	CLIP - Cable to floor pan		RIGHT HAND DRIVE	7434452	1
	RETAINER - Speedo drive end	ALL		7430917	1
	SEAL - Cable	ALL		7434266	1
	RETAINER - Seal	ALL		2817874	1

NOTES

A large rectangular area with horizontal lines, intended for handwritten notes. The lines are evenly spaced and run across the width of the page.



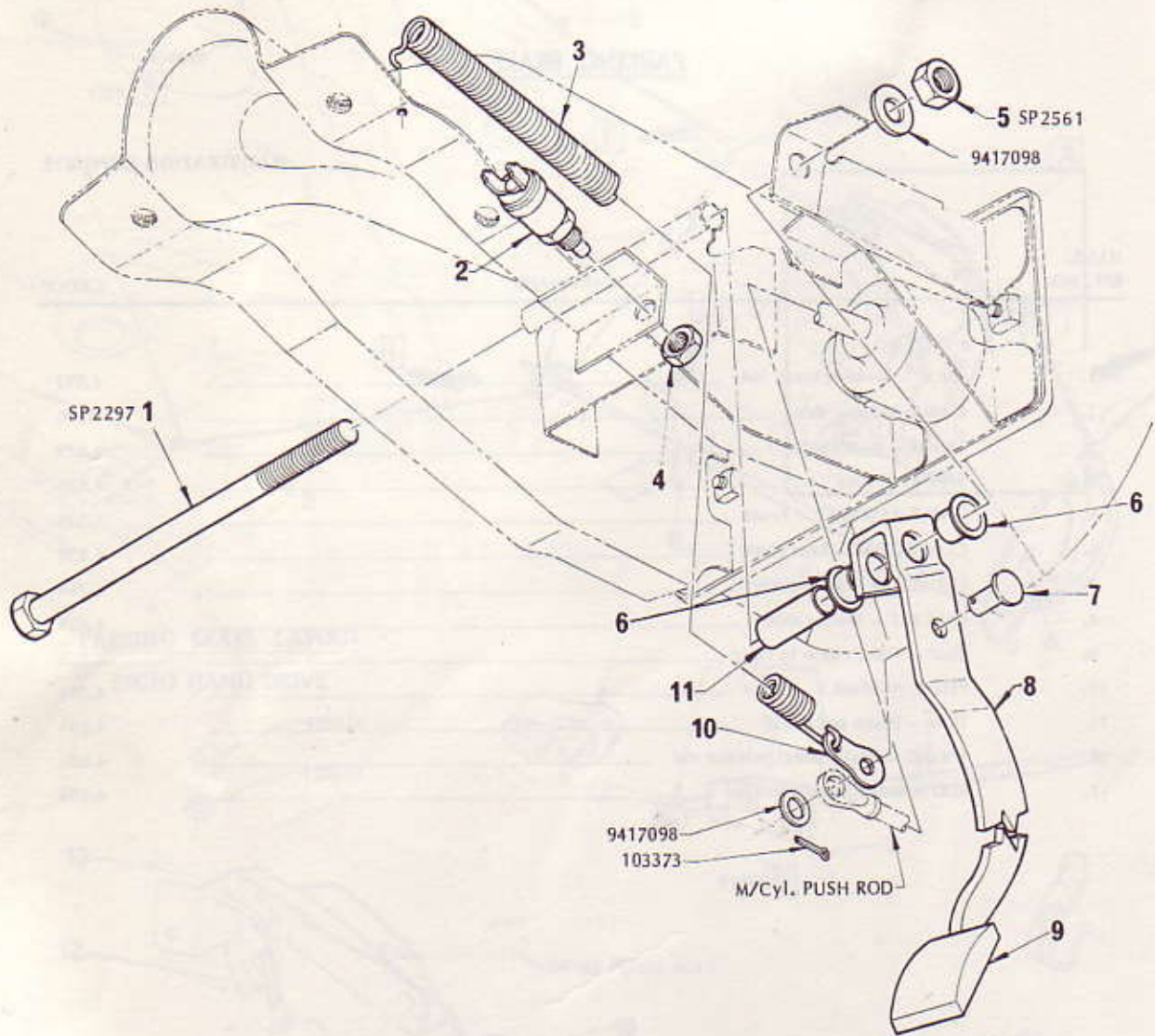
GROUP 4.000
BRAKE CONTROL
BRAKE OPERATING



PARKING BRAKE

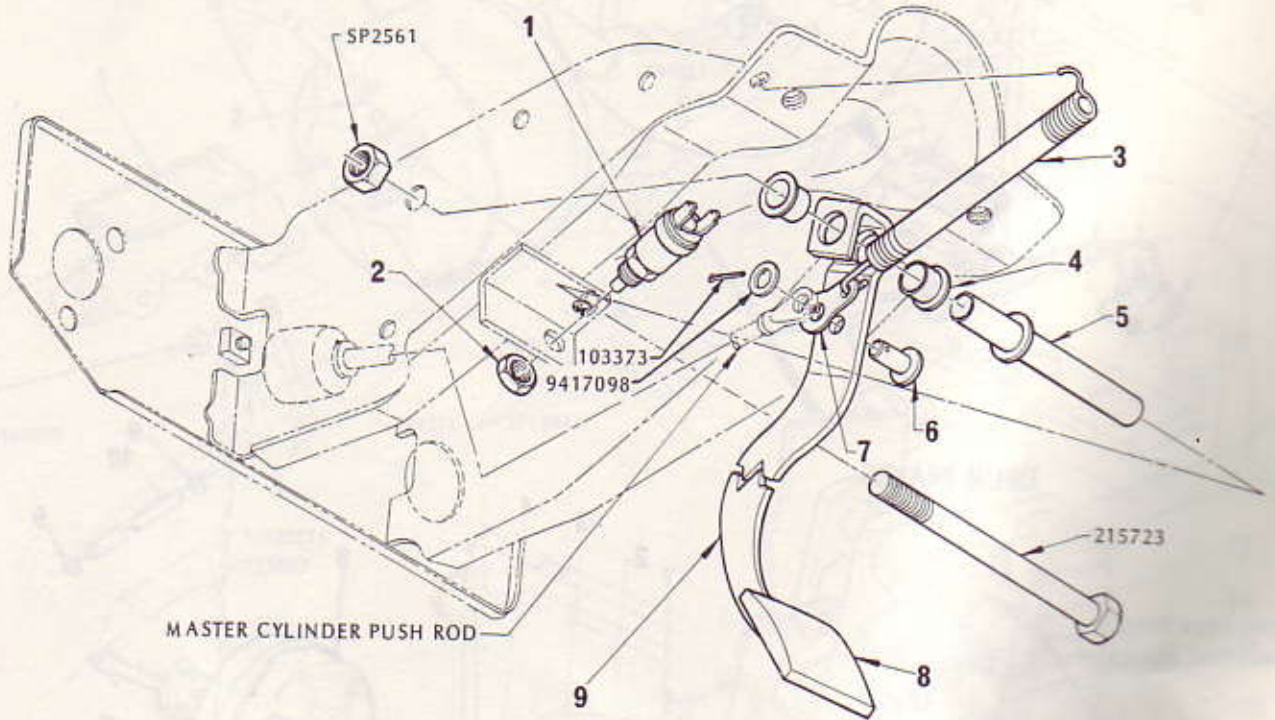
ILLUSTRATION OPPOSITE

ILLUS. REF. NO.	PART NAME	GROUP
1.	KNOB - Brake release rod	4.592
2.	CABLE ASSY. - Rear	4.826
3.	GUIDE - Rear cable	4.829
4.	SPRING - Yoke	4.826
5.	CABLE ASSEMBLY - Front	4.826
6.	CONNECTOR - Rear cable	4.830
7.	EQUALISER - Rear cable	4.764
8.	BRACKET - Front cable	4.829
9.	CLIP - Front cable to floor	4.826
10.	PEDAL ASSEMBLY - Brake	4.591
11.	TRIM - Brake pedal pad	4.591
12.	SPRING - Brake pedal release rod	4.606
13.	ROD - Brake pedal release	4.594



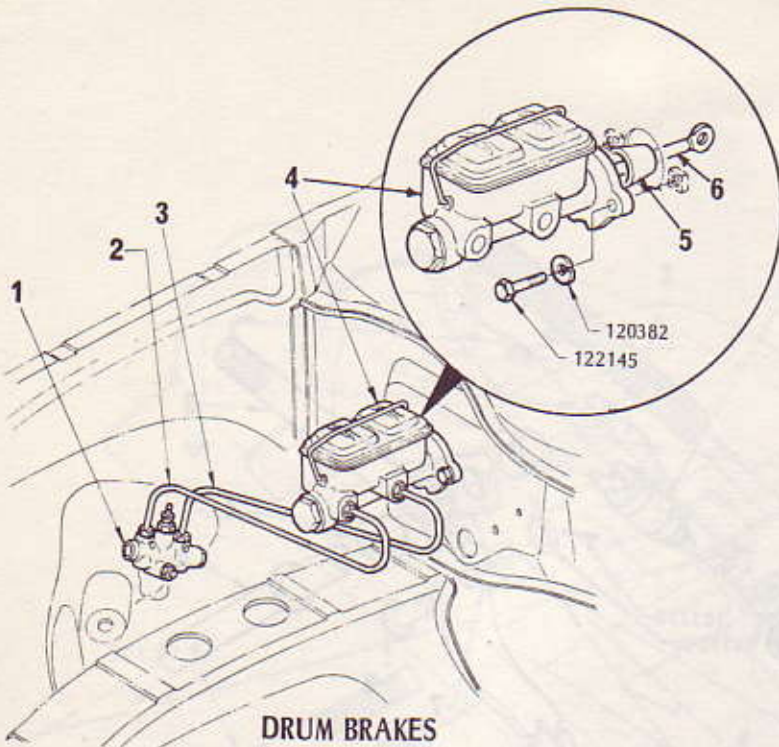
BRAKE PEDAL
Right Hand Drive

ILLUS. REF. NO.	PART NAME	GROUP	ILLUS. REF. NO.	PART NAME	GROUP
1.	BOLT - Brake pedal pivot	4.636	7.	PIN - Push rod to brake pedal	4.662
2.	SWITCH ASSY. - Stop light	2.447	8.	PEDAL ASSY. - Brake	4.625
3.	SPRING - Brake pedal return	4.639	9.	PAD - Brake pedal	4.625
4.	NUT - Stop light switch attaching	2.447	10.	EXTENSION - Pedal return spring to push rod ..	4.639
5.	NUT - Pivot bolt	4.636	11.	SPACER - Brake pedal pivot	4.626
6.	BUSHING - Brake pedal pivot bolt	4.626			

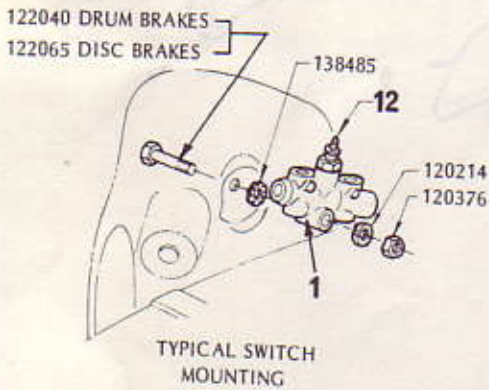


BRAKE PEDAL
LEFT HAND DRIVE

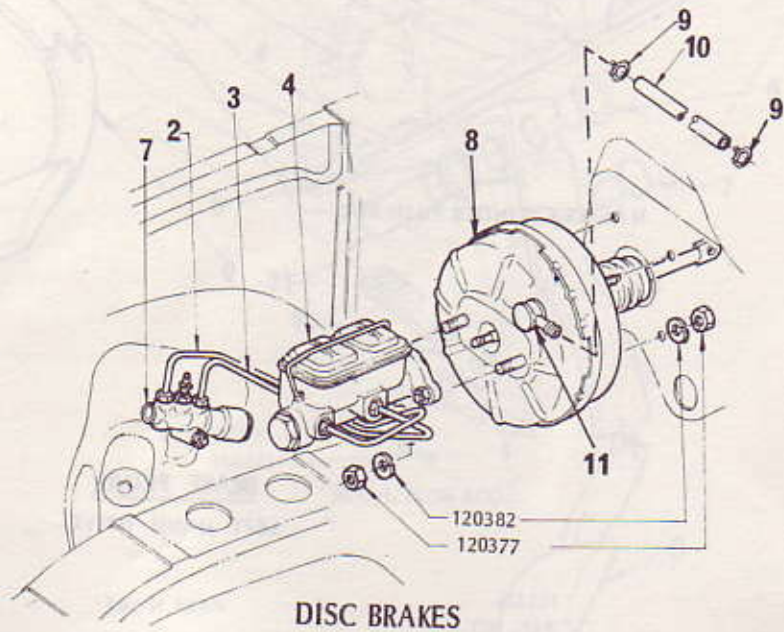
ILLUS. REF. NO.	PART NAME	GROUP
1.	SWITCH ASSY. - Stop light	2.447
2.	NUT - Stop light switch attaching	2.447
3.	SPRING - Brake pedal return	4.639
4.	BUSHING - Brake pedal pivot bolt	4.626
5.	SPACER - Brake pedal pivot	4.626
6.	PIN - Push rod to brake pedal	4.662
7.	EXTENSION - Pedal return spring to push rod	4.639
8.	PAD - Brake pedal	4.625
9.	PEDAL ASSY. - Brake	4.625



DRUM BRAKES



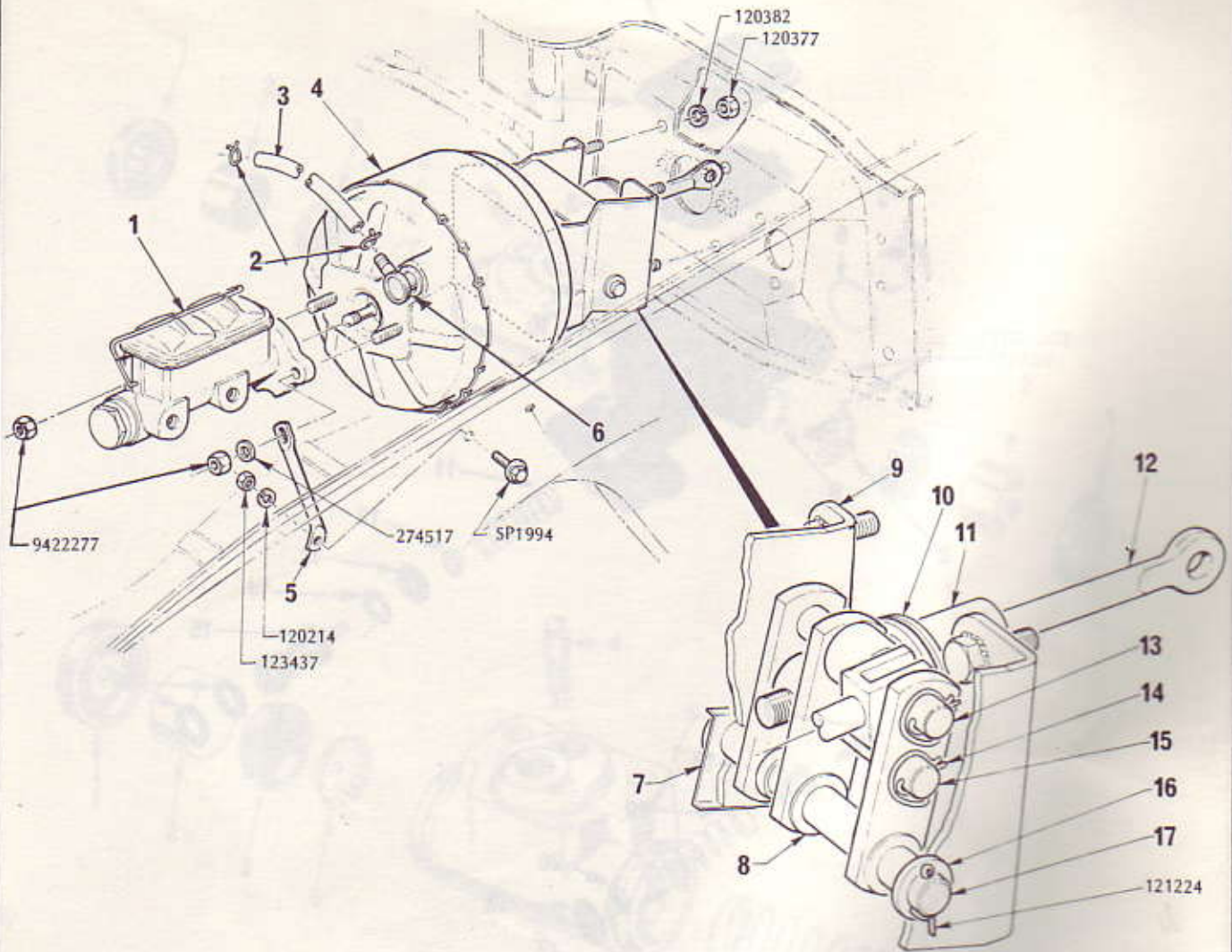
TYPICAL SWITCH MOUNTING



DISC BRAKES

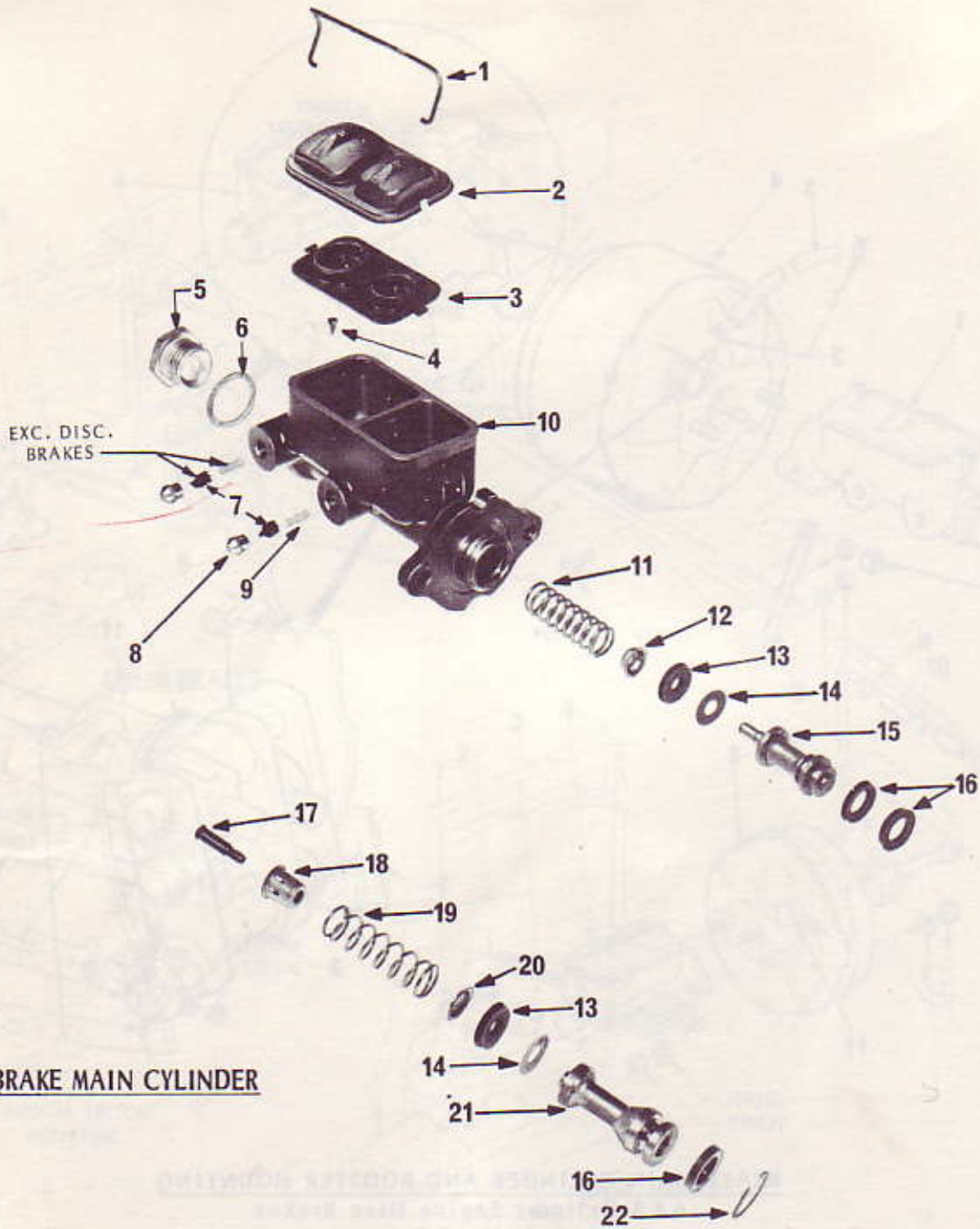
**BRAKE MAIN CYLINDER, PRESSURE SWITCH and BOOSTER MOUNTING
Right Hand Drive**

ILLUS. REF. NO.	PART NAME	GROUP	ILLUS. REF. NO.	PART NAME	GROUP
1.	CONNECTOR & SWITCH ASSY. - Brake warning	4.686	7.	VALVE ASSY. - Pressure Warning Switch & protortioning	4.686
2.	PIPE ASSY. - Main cylinder to switch - front	4.685	8.	BOOSTER ASSY.	4.902
3.	PIPE ASSY. - Main cylinder to switch - rear	4.685	9.	CLAMP - Hose	4.931
4.	CYLINDER ASSY. - Brake main	4.650	10.	HOSE - Servo to manifold	4.931
5.	BOOT - Main cylinder push rod	4.659	11.	VALVE ASSY. - Check	4.904
6.	ROD - Main cylinder push	4.658	12.	SWITCH ASSY. - Pressure warning	4.686



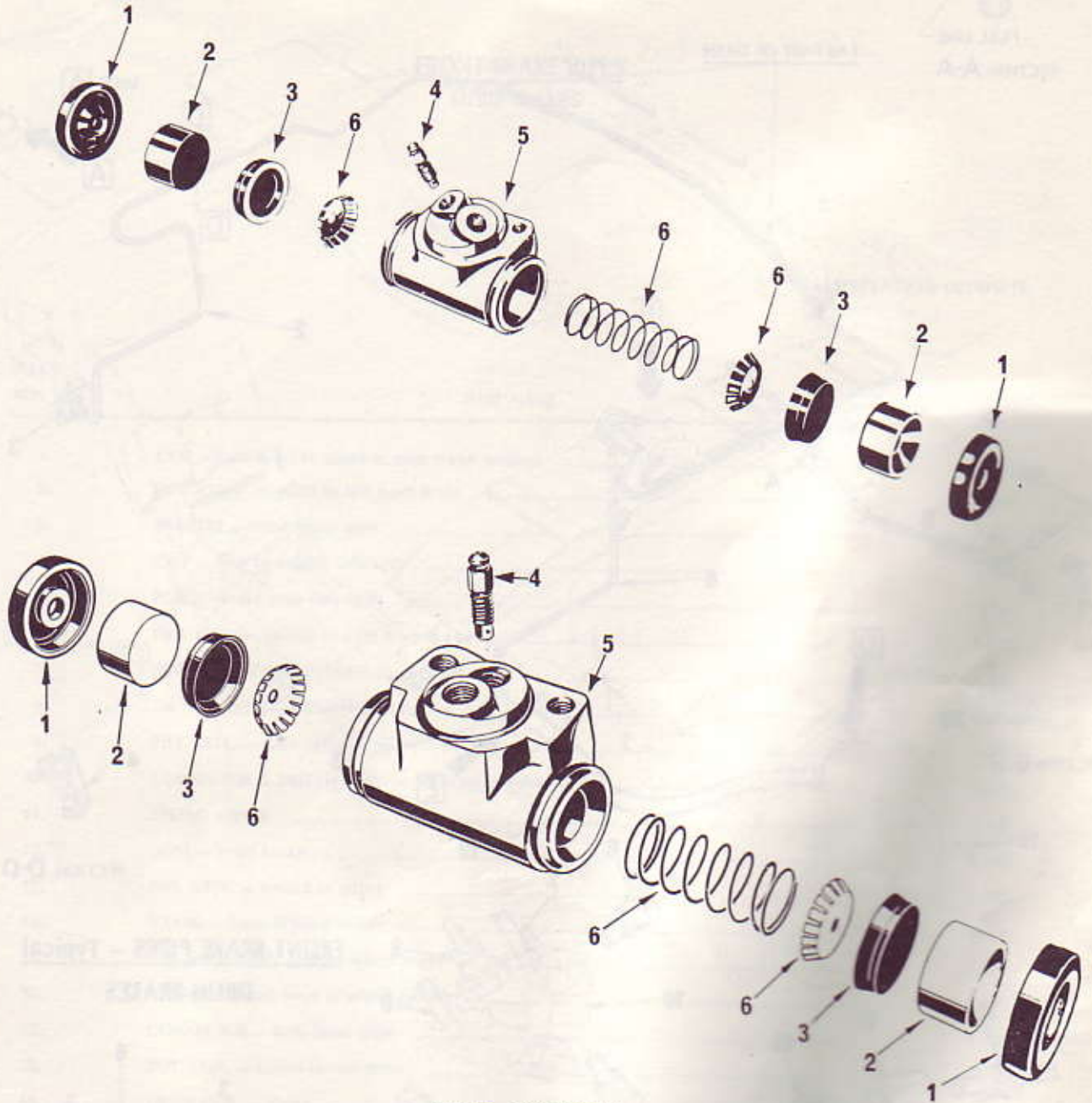
BRAKE MAIN CYLINDER AND BOOSTER MOUNTING
6 & 8 Cylinder Engine Disc Brakes
Left Hand Drive

ILLUS. REF. NO.	PART NAME	GROUP	ILLUS. REF. NO.	PART NAME	GROUP
1.	CYLINDER ASSY. - Brake main	4.650	10.	LEVER - Relay	4.628
2.	CLAMP - Hose	4.931	11.	BOOT - Push rod	4.659
3.	HOSE - Servo to manifold	4.931	12.	ROD - Push	4.658
4.	BOOSTER ASSY.	4.902	13.	PIN - Relay-lever to push rod	4.662
5.	SUPPORT - Booster	4.901	14.	RETAINER - Push rod pin to lever	4.658
6.	VALVE ASSY. - Check	4.904	15.	TRUNNION - Push rod	4.662
7.	PLATE - Shaft lock	4.628	16.	WASHER - Relay lever	4.628
8.	BUSHING - Relay lever	4.628	17.	SHAFT - Relay	4.628
9.	BRACKET ASSY. - Booster mounting	4.901			



BRAKE MAIN CYLINDER

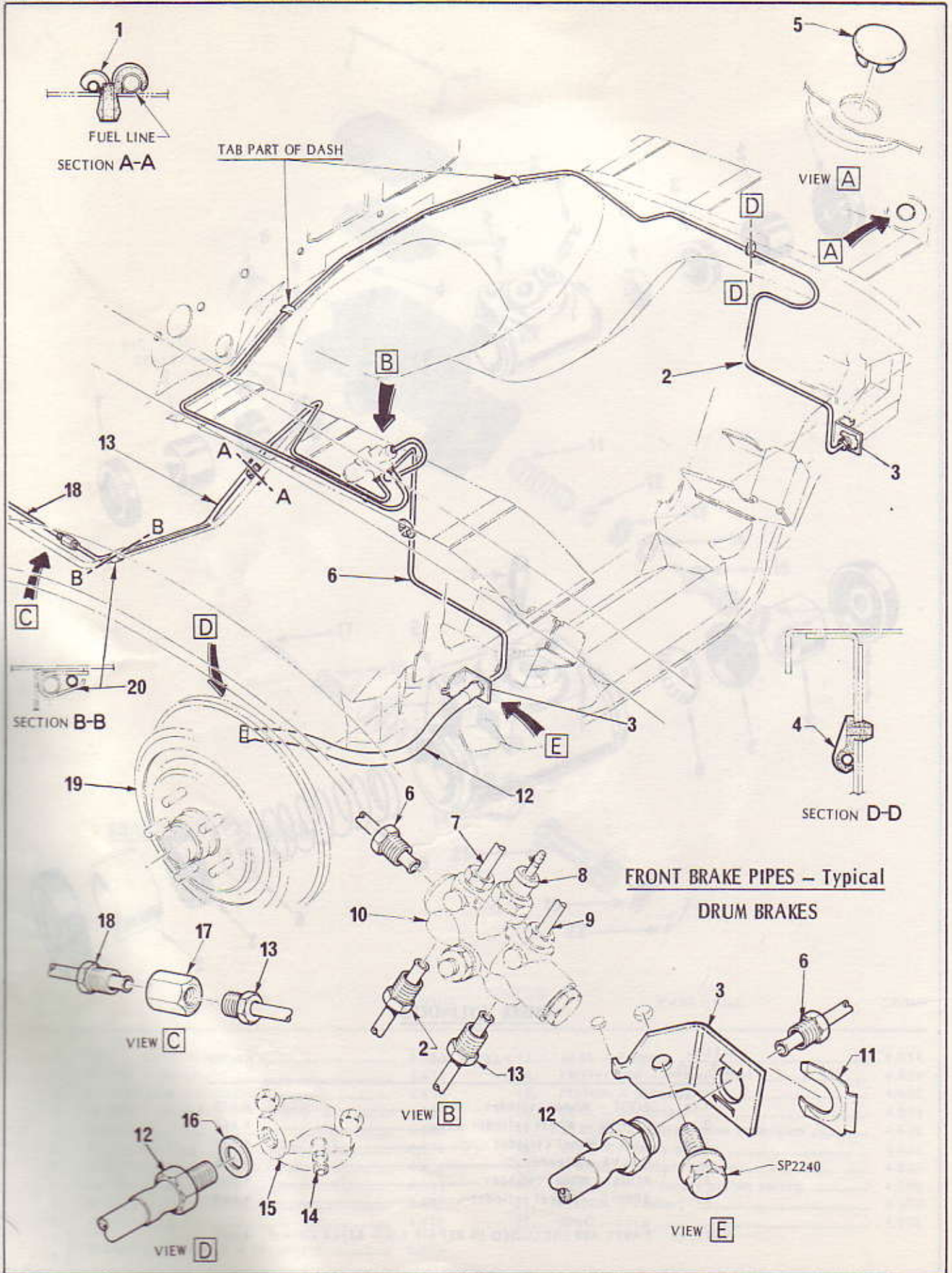
ILLUS. REF. NO.	PART NAME	GROUP	ILLUS. REF. NO.	PART NAME	GROUP
1.	BAIL - Cover retaining	4.651	13.	SEAL - Primary	4.654
2.	COVER - Reservoir	4.651	14.	PROTECTOR - Primary seal	4.654
3.	DIAPHRAGM - Cover	4.651	15.	PISTON - Secondary	4.653
4.	SCREW - Secondary piston stop	4.653	16.	SEAL - Secondary	4.654
5.	PLUG	4.652	17.	SCREW - Primary piston estension	4.656
6.	WASHER - Plug	4.652	18.	STOP - Primary piston	4.653
7.	VALVE - Check	4.657	19.	SPRING - Primary piston	4.655
8.	INSERT - Tube fitting	4.652	20.	RETAINER - Primary piston spring	4.655
9.	SPRING - Valve	4.657	21.	PISTON - Primary	4.653
10.	BODY	4.650	22.	RING - Lock	4.656
11. } 12. }	SPRING & RETAINER - Secondary	4.655			



WHEEL CYLINDERS

ILLUS. REF. NO.	PART NAME	GROUP
1.(A)	BOOT - Wheel cylinder	4.670
2.	PISTON - Wheel cylinder	4.668
3.(A)	CUP - Wheel cylinder	4.667
4.	VALVE - Bleeder	4.666
5.	BODY - Wheel cylinder	4.665
6.	SPRING - Wheel cylinder	4.669

NOTE: (A) PARTS ARE INCLUDED IN REPAIR KIR - REFER GROUP 4.665

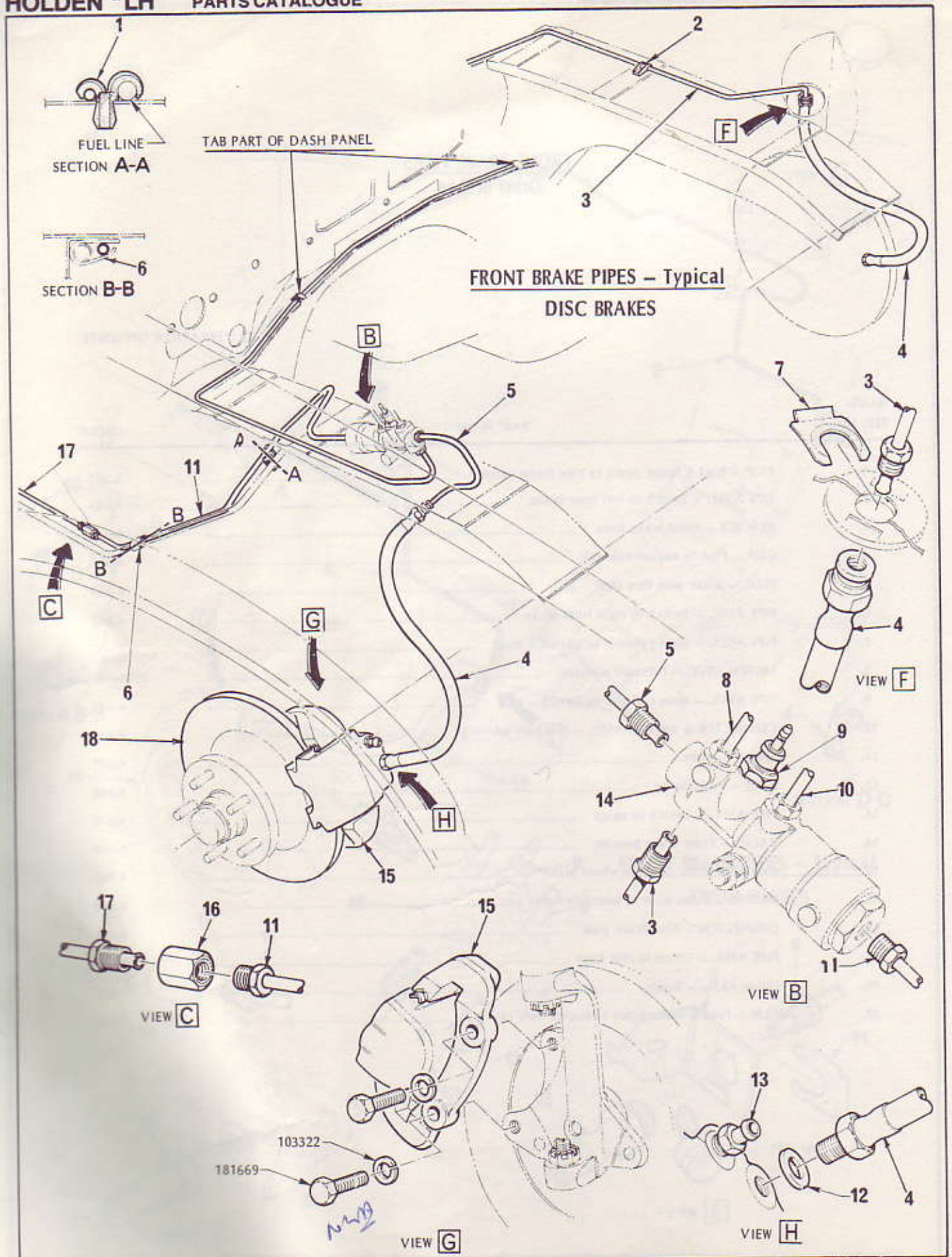


FRONT BRAKE PIPES - Typical
DRUM BRAKES

FRONT BRAKE PIPES
Drum Brakes

ILLUSTRATION OPPOSITE

ILLUS. REF. NO.	PART NAME	GROUP
1.	CLIP – Fuel & brake pipes to side frame member	3.202
2.	PIPE ASSY. – Switch to left front brake	4.685
3.	BRACKET – Front brake hose	4.681
4.	CLIP – Pipe to engine side rail	4.685
5.	PLUG – Brake pipe thru skirt	8.153
6.	PIPE ASSY. – Switch to right front brake	4.685
7.	PIPE ASSY. – Main cylinder to switch – front	4.685
8.	SWITCH ASSY. – Pressure warning	4.686
9.	PIPE ASSY. – Main cylinder to switch – rear	4.685
10.	CONNECTOR & SWITCH ASSY. – Pressure warning	4.686
11.	SPRING – Yoke	4.681
12.	HOSE – Front brake	4.680
13.	PIPE ASSY. – Switch to union	4.685
14.	VALVE – Front brake bleeder	4.666
15.	CYLINDER ASSY. – Front wheel brake	4.665
16.	WASHER – Front hose to wheel cylinder	4.680
17.	CONNECTOR – Rear brake pipe	4.686
18.	PIPE ASSY. – Union to rear hose	4.685
19.	DRUM ASSY. – Brake	5.809
20.	CLIP – Fuel & brake pipes to engine side rail	3.202



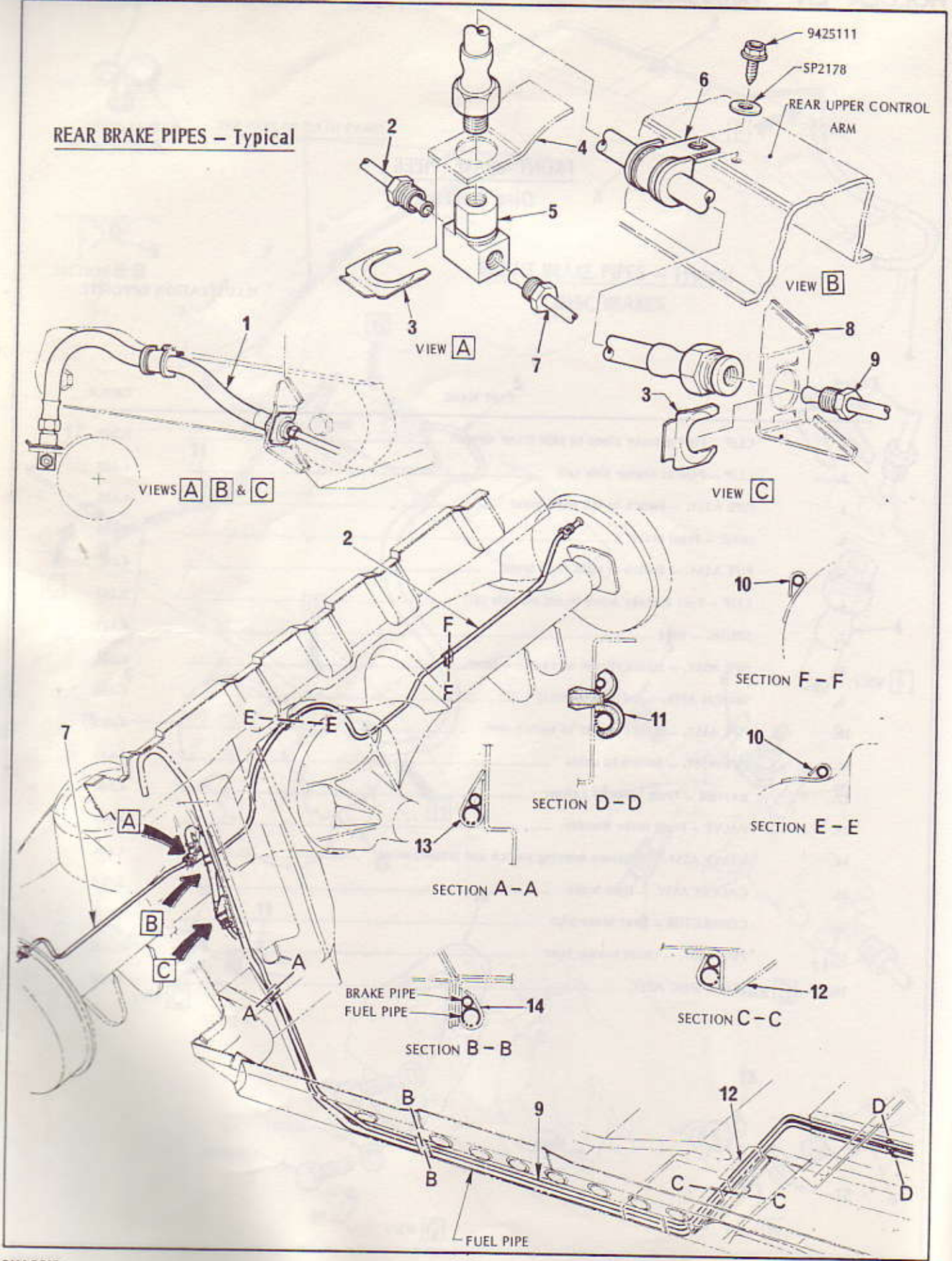
FRONT BRAKE PIPES

Disc Brakes

ILLUSTRATION OPPOSITE

ILLUS. REF. NO.	PART NAME	GROUP
1.	CLIP – Fuel & brake pipes to side frame member	3.202
2.	CLIP – Pipe to engine side rail	4.685
3.	PIPE ASSY. – Switch to left front brake	4.685
4.	HOSE – Front brake	4.680
5.	PIPE ASSY. – Switch to right front brake	4.685
6.	CLIP – Fuel & brake pipes to engine side rail	3.202
7.	SPRING – Yoke	4.681
8.	PIPE ASSY. – Main cylinder to switch – front	4.685
9.	SWITCH ASSY. – Pressure warning	4.686
10.	PIPE ASSY. – Main cylinder to switch rear	4.685
11.	PIPE ASSY. – Switch to union	4.685
12.	WASHER – Front brake to caliper	4.680
13.	VALVE – Front brake bleeder	4.666
14.	VALVE ASSY. – Pressure warning switch and proportioning	4.686
15.	CALIPER ASSY. – Disc brake	5.010
16.	CONNECTOR – Rear brake pipe	4.686
17.	PIPE ASSY. – Union to rear hose	4.685
18.	HUB & DISC ASSY.	6.307

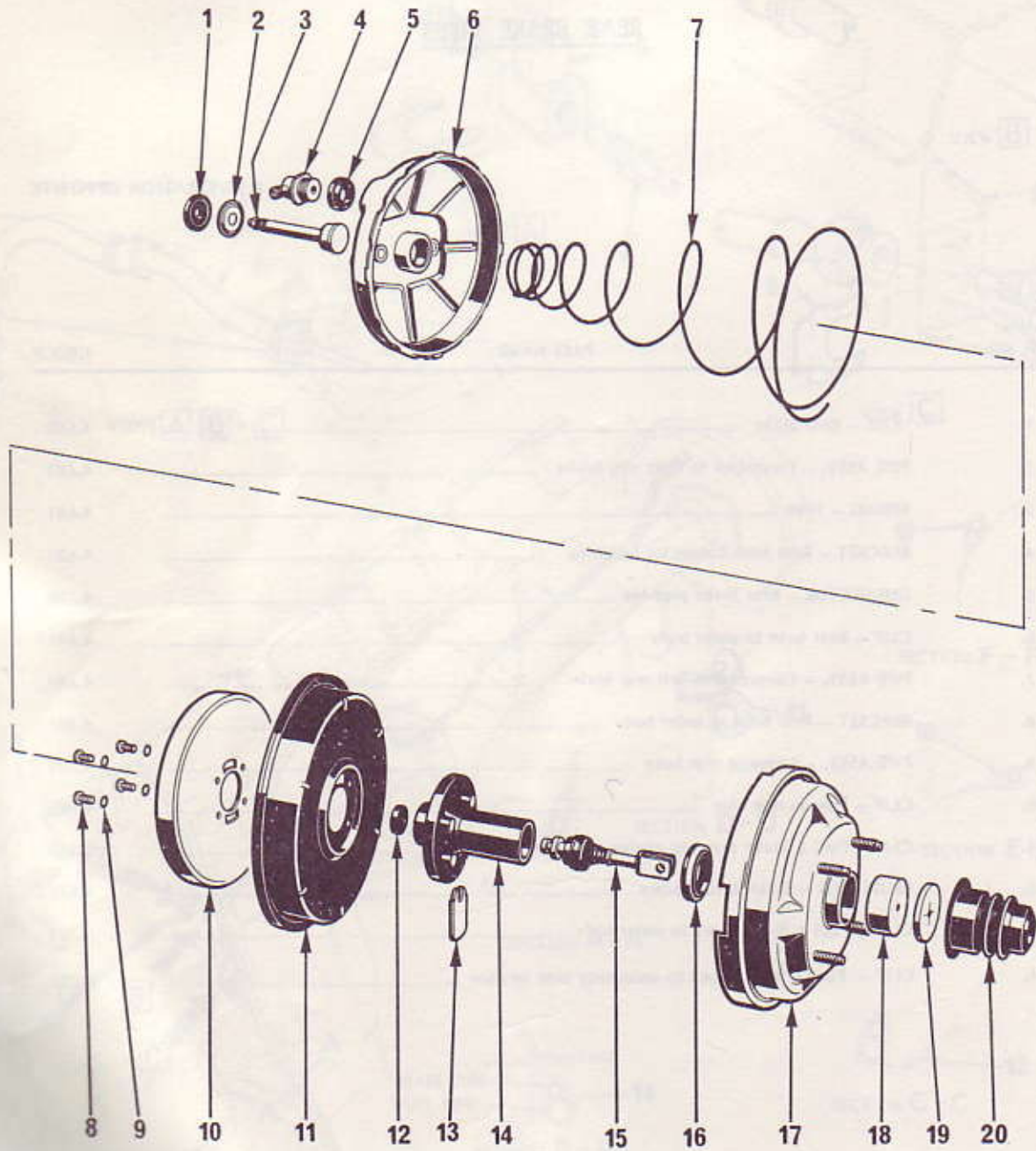
REAR BRAKE PIPES - Typical



REAR BRAKE PIPES

ILLUSTRATION OPPOSITE

ILLUS. REF. NO.	PART NAME	GROUP
1.	HOSE – Rear brake	4.680
2.	PIPE ASSY. – Connector to right rear brake	4.685
3.	SPRING – Yoke	4.681
4.	BRACKET – Rear hose connector mounting	4.681
5.	CONNECTOR – Rear brake pipe tee	4.686
6.	CLIP – Rear hose to under body	4.681
7.	PIPE ASSY. – Connector to left rear brake	4.685
8.	BRACKET – Rear hose to under body	4.681
9.	PIPE ASSY. – Union to rear hose	4.685
10.	CLIP – Pipe to rear axle	4.685
11.	CLIP – Fuel & brake pipes to engine side rail	3.202
12.	PROTECTOR – Brake & fuel pipes	4.685
13.	CLIP – Fuel & Brake pipes to under body	3.202
14.	CLIP – Fuel & brake pipes to underbody side member	3.202

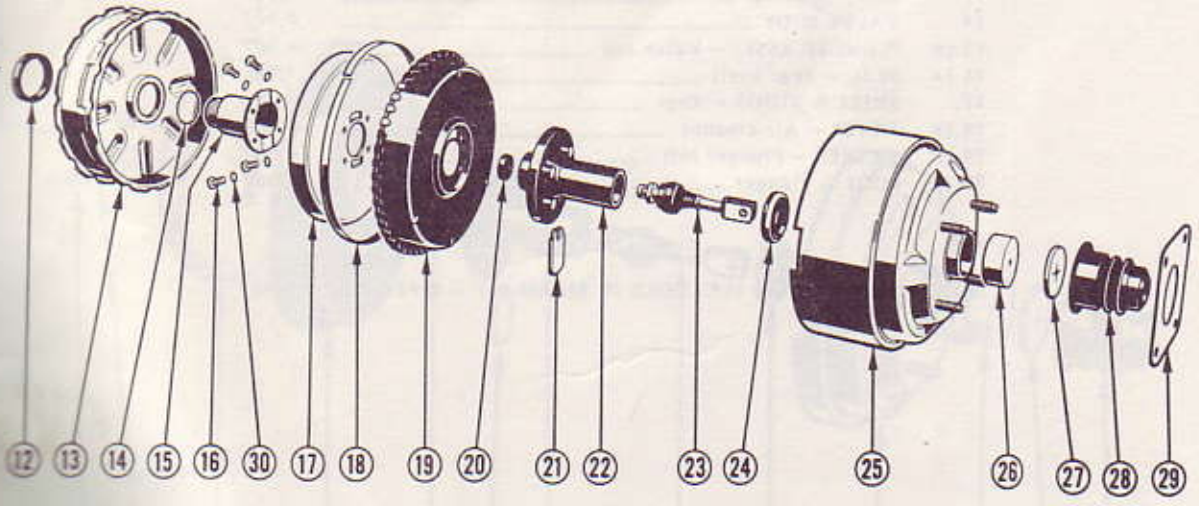
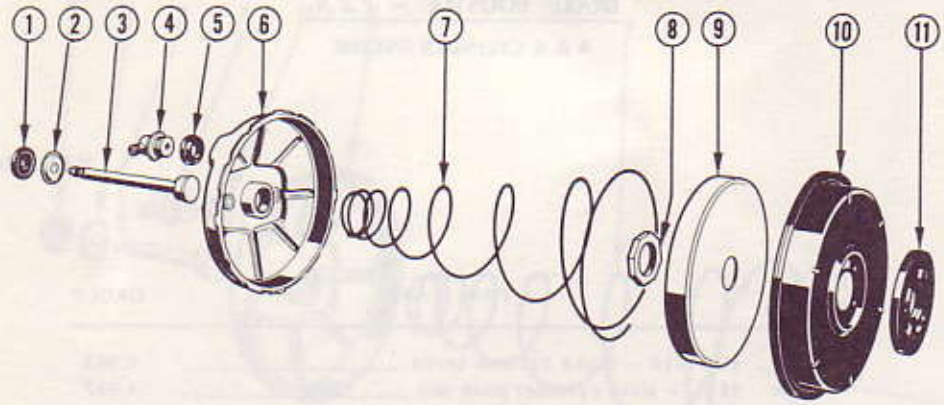


BRAKE BOOSTER — P.B.R.
4 & 6 CYLINDER ENGINE

ILLUSTRATION OPPOSITE

ILLUS. REF. NO.	PART NAME	GROUP
1 - 20	BOOSTER — Brake vacuum servo	4.902
1.(A)	SEAL — Main cylinder push rod	4.907
2.	PLATE — Push rod seal support	4.907
3.	ROD — Main cylinder push	4.907
4.(A)	VALVE — Check	4.904
5.(A)	GROMMET — Check valve	4.904
6.	SHELL & STUDS — Front	N.S.S.
7.	SPRING — Return	4.908
8.	SCREW	N.S.S.
9.	WASHER	N.S.S.
10.	PLATE — Pressure	4.906
11.	DIAPHRAGM	4.908
12.(A)	DISC — Reaction	4.907
13.	KEY — Locking	4.907
14.	VALVE BODY	4.907
15.(A)	PLUNGER ASSY. — Valve rod	4.907
16.(A)	SEAL — Rear shell	4.908
17.	SHELL & STUDS — Rear	N.S.S.
18.(A)	FILTER — Air cleaner	4.903
19.(A)	WASHER — Plunger felt	4.907
20.(A)	BOOT — Plunger	4.907

NOTE: (A) PARTS ARE INCLUDED IN REPAIR KIT — REFER GROUP 4.902



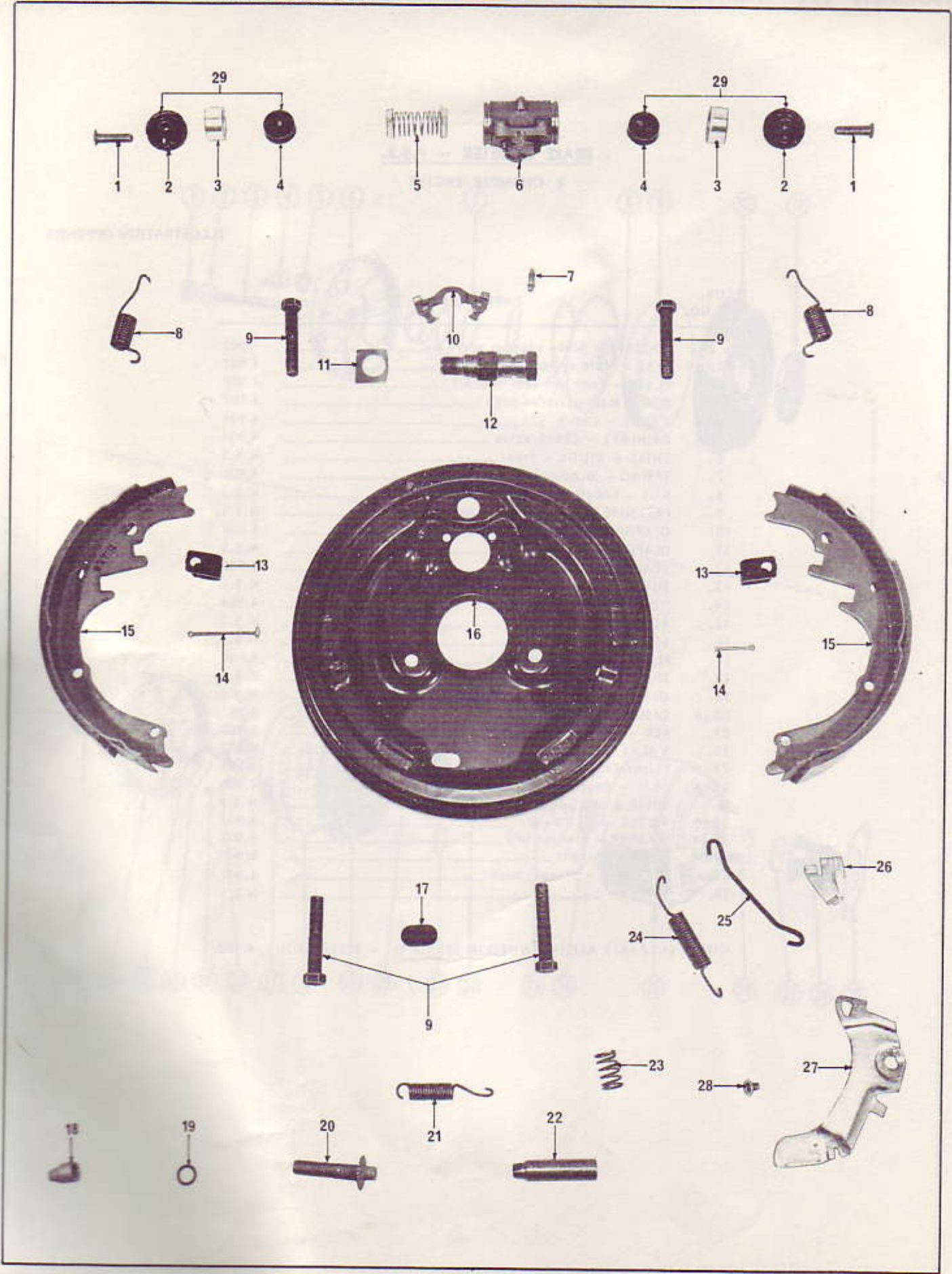
BRAKE BOOSTER — P.B.R.

8 CYLINDER ENGINE

ILLUSTRATION OPPOSITE

ILLUS. REF. NO.	PART NAME	GROUP
1 — 29.	BOOSTER — Brake vacuum servo	4.902
1.(A)	SEAL — Main cylinder push rod	4.907
2.	PLATE — Push rod seal support	4.907
3.	ROD — Main cylinder push	4.907
4.(A)	VALVE — Check	4.904
5.(A)	GROMMET — Check valve	4.904
6.	SHELL & STUDS — Front	N.S.S.
7.	SPRING — Diaphragm return	4.908
8.	NUT — Locating	N.S.S.
9.	PRESSURE PLATE — Front diaphragm	N.S.S.
10.	DIAPHRAGM	4.908
11.	DIAPHRAGM COLLAR	N.S.S.
12.	SEAL — Centre shell	4.908
13.	SHELL — Centre	N.S.S.
14.	“O” RING — Adaptor	4.908
15.	ADAPTOR	N.S.S.
16.	SCREW	N.S.S.
17.	PLATE — Diaphragm press	4.906
18.	SPACER — Diaphragm	N.S.S.
19.	DIAPHRAGM — Rear	N.S.S.
20.(A)	DISC — Reaction	4.907
21.	KEY — Locking	4.907
22.	VALVE BODY	4.907
23.(A)	PLUNGER ASSY. — Valve rod	4.907
24.(A)	SEAL — Rear shell	4.908
25.	SHELL & STUDS — Rear	N.S.S.
26.(A)	FILTER — Air cleaner	4.903
27.(A)	WASHER — Plunger felt	4.907
28.(A)	BOOT — Plunger	4.907
29.	RETAINER — Plunger boot	4.907
30.	WASHER	N.S.S.

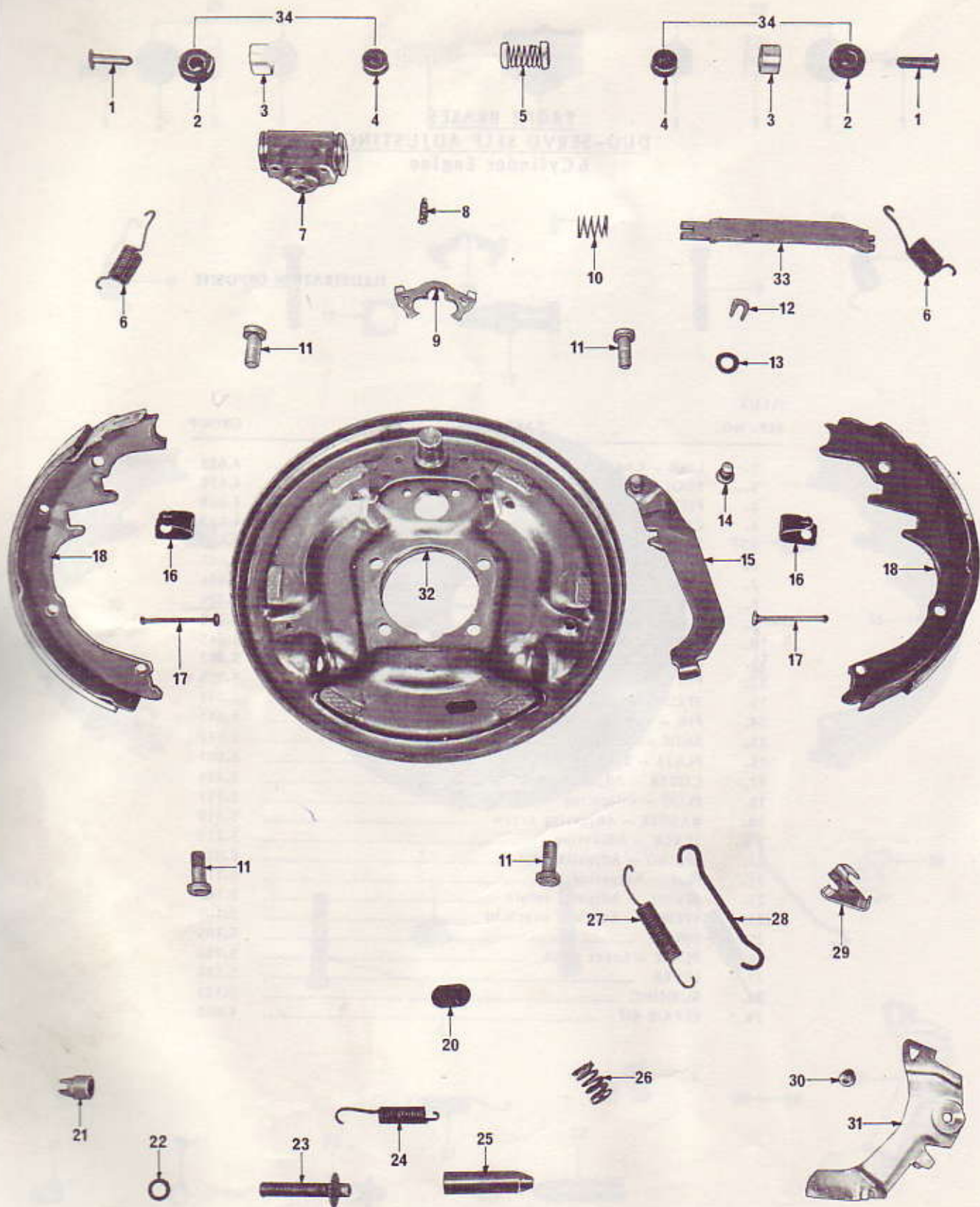
NOTE: (A) PARTS ARE INCLUDED IN REPAIR KIT — REFER GROUP 4.902



FRONT BRAKES
DUO-SERVO SELF ADJUSTING
6 Cylinder Engine

ILLUSTRATION OPPOSITE

ILLUS. REF. NO.	PART NAME	GROUP
1.	LINK - Connecting	4.675
2.	BOOT - Wheel cylinder	4.670
3.	PISTON - Wheel cylinder	4.668
4.	CUP - Wheel cylinder	4.667
5.	SPRING - Wheel cylinder	4.669
6.	BODY - Wheel cylinder	4.665
7.	VALVE - Bleeder	4.666
8.	SPRING - Retractor	5.026
9.	BOLT - Backing plate	8.900
10.	PLATE - Guide	5.045
11.	PLATE - Backing plate bolt lock	5.002
12.	PIN - Anchor	5.055
13.	SPRING - Hold down pin	5.043
14.	PIN - Shoe hold down	5.041
15.	SHOE and LINING	5.017
16.	PLATE - Backing	5.001
17.	COVER - Adjusting hole	5.188
18.	PLUG - Adjusting	5.111
19.	WASHER - Adjusting screw	5.110
20.	SCREW - Adjusting	5.110
21.	SPRING - Adjusting nut	5.026
22.	NUT - Adjusting	5.111
23.	SPRING - Adjuster return	5.107
24.	SPRING - Adjuster overload	5.107
25.	LINK	5.105
26.	PLATE - Lever pivot	5.103
27.	LEVER	5.103
28.	BUSHING	5.103
29.	REPAIR KIT	4.665

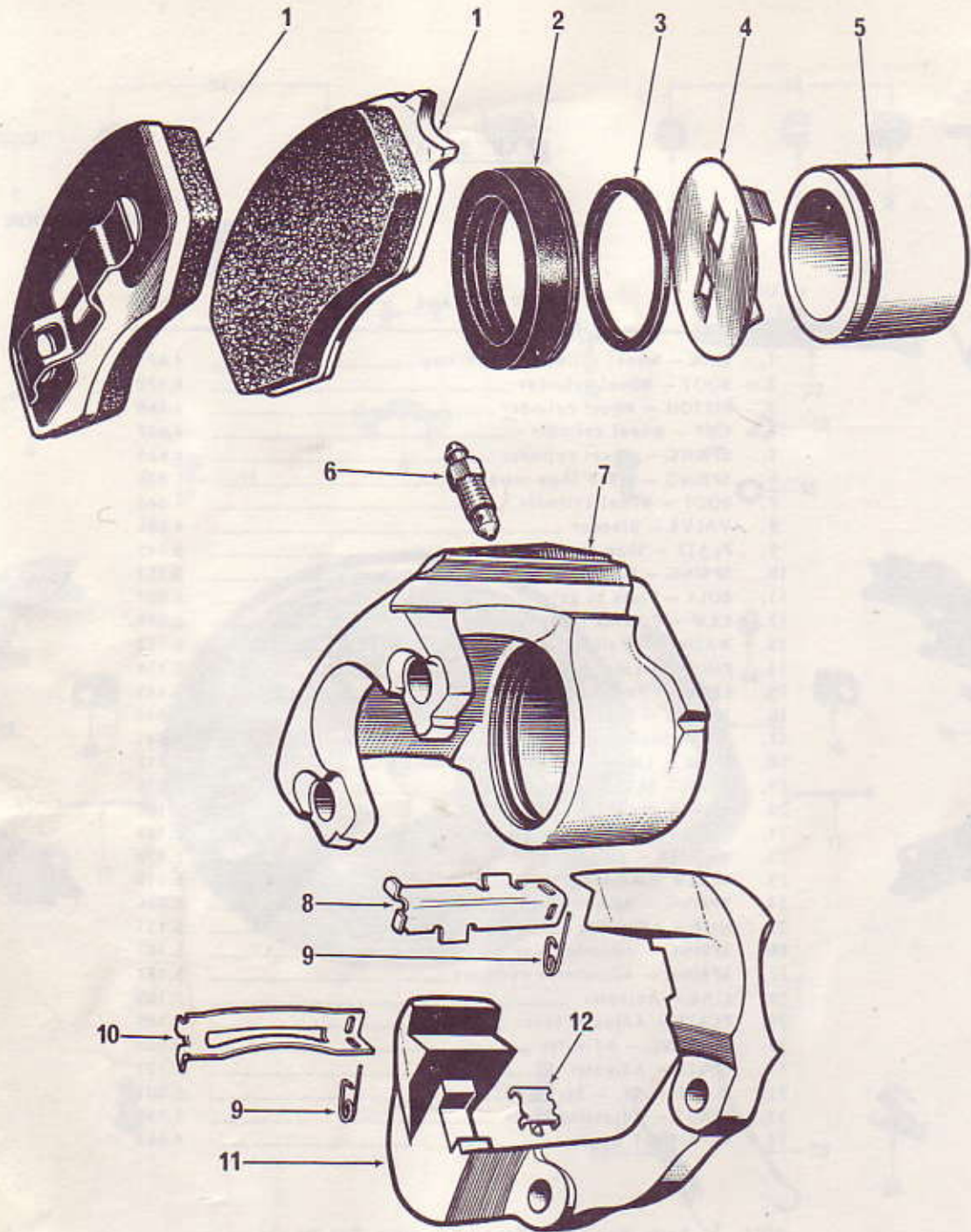


REAR BRAKES

ILLUSTRATION OPPOSITE

ILLUS. REF. NO.	PART NAME	GROUP
1.	LINK - Wheel cylinder connecting	4.675
2,1A	BOOT - Wheel cylinder	4.670
3.	PISTON - Wheel cylinder	4.668
4,1A	CUP - Wheel cylinder	4.667
5.	SPRING - Wheel cylinder	4.669
6.	SPRING - Brake shoe retractor	5.026
7.	BODY - Wheel cylinder	4.665
8.	VALVE - Bleeder	4.666
9.	PLATE - Shoe guide	5.045
10.	SPRING - Parking lever strut	5.151
11.	BOLT - Plate to axle	5.002
12.	CLIP - Parking lever retainer	5.158
13.	WASHER - Parking lever to secondary shoe	5.158
14.	PIN - Parking lever	5.158
15.	LEVER - Parking brake actuating	5.149
16.	SPRING - Shoe hold down pin	5.043
17.	PIN - Shoe hold down	5.041
18.	SHOE & LINING - Primary, secondary	5.017
19.	LINING SET	5.018
20.	COVER - Adjusting hole	5.188
21.	PLUG - Adjusting screw	5.111
22.	WASHER - Adjusting screw	5.110
23.	SCREW - Adjusting	5.110
24.	SPRING - Adjusting nut	5.026
25.	NUT - Adjusting	5.111
26.	SPRING - Adjuster - return	5.107
27.	SPRING - Adjuster - overload	5.107
28.	LINK - Adjuster	5.105
29.	PLATE - Adjuster lever	5.103
30.	BUSHING - Adjuster	5.103
31.	LEVER - Adjuster	5.103
32.	PLATE ASSY. - Backing	5.001
33.	STRUT - Adjusting lever	5.150
34.	REPAIR KIT	4.665

NOTE: 1A Parts included in Repair Kit. Illus. Ref. No. 34



BRAKE CALIPER ASSEMBLY

ILLUS. REF. NO.	PART NAME	GROUP	ILLUS. REF. NO.	PART NAME	GROUP
1.	PAD SET	5.018	7.	HOUSING	N.S.S
2.	REPAIR KIT	4.667	8.	KEY - Spacer	5.020
3.			9.	CLIP - Key retaining	5.020
4.	SHIM	4.668	10.	SPRING	5.020
5.	PISTON	4.668	11.	BRACKET	N.S.S
6.	VALVE - Bleeder	4.666	12.	CLIP	5.020

HOLDEN "LH" PARTS CATALOGUE

GROUP	DESCRIPTION	MODEL	SIDE	PART No.	QTY.
4.591	PEDAL — Parking brake				
	PEDAL ASSY.	RIGHT HAND DRIVE		9935052	1
		LEFT HAND DRIVE		9935053	1
	TRIM - Brake pedal pad	ALL		2821449	1
4.592	KNOB — Parking brake release rod				
	KNOB	RIGHT HAND DRIVE		2825068 ⁹⁹⁴⁶⁴⁷⁶	1
4.594	ROD — Parking brake pedal release				
	ROD	ALL		2825615	1
	BUSHING - Release rod	ALL		9932222	2
	GROMMET - Bumper stop	ALL		SP1099	1
4.596	SPRING — Parking brake pawl				
	SPRING	ALL		2825139	1
4.606	SPRING — Parking brake release rod return				
	SPRING	ALL		9932821	1
4.610	BODY, SPRING, PLUNGER — Parking brake warning lamp				
	BODY - Switch	ALL		2807323	1
	SPRING - Switch	ALL		2807324	1
	PLUNGER - Switch	ALL		2807325	1
4.625	PEDAL, PAD — Brake				
	PEDAL ASSY.	(M) Drum exc. Power Brakes			
		RIGHT HAND DRIVE		2824386	1
	PEDAL ASSY.	(M) Disc, Power Brakes			
		RIGHT HAND DRIVE		9930539	1
	PEDAL ASSY.	(A) Drum Brakes	RIGHT HAND DRIVE	2824874	1
	PEDAL ASSY.	(A) Disc Brakes	RIGHT HAND DRIVE	9930540	1
	PEDAL ASSY.	(M) Drum Brakes	LEFT HAND DRIVE	9929773	1
	PEDAL ASSY.	(M) 6, 8 Cyl. Eng. Disc Brakes			
		LEFT HAND DRIVE		9931489	1
	PEDAL ASSY.	(A) Drum Brakes	LEFT HAND DRIVE	9929772	1
	PEDAL ASSY.	(A) Disc Brakes	LEFT HAND DRIVE	9930610	1
	PEDAL ASSY.	(A) 4.2 Litre Eng.	LEFT HAND DRIVE	9931490	1
	PAD - Pedal	(M)		2823651	1
	PAD - Pedal	(A)		2824882	1
4.626	BUSHING, BEARING, SPACER — Brake pedal				
	BUSHING - Pedal pivot bolt	ALL		3798256	2
	BEARING - Pedal spacer		LEFT HAND DRIVE	2824213	1
	SPACER - Pedal pivot		RIGHT HAND DRIVE	2814737	1
4.628	SHAFT, PLATE, LEVER — Brake booster relay				
	SHAFT	(M) 6 Cyl. Eng. Disc Brakes			
		LEFT HAND DRIVE		7433508	1
	SHAFT	4.2 Litre Eng.	LEFT HAND DRIVE	7433508	1
	PLATE - Shaft lock	(M) 6 Cyl. Eng. Disc Brakes			
		LEFT HAND DRIVE		2806068	1
	PLATE - Shaft lock	4.2 Litre Eng.	LEFT HAND DRIVE	2806068	1
	LEVER	(M) 6 Cyl. Eng. Disc Brakes			
		LEFT HAND DRIVE		9937360	3
	LEVER	4.2 Litre Eng.	LEFT HAND DRIVE	9937360	3
	BUSHING - Relay lever	(M) 6 Cyl. Eng. Disc Brakes			
		LEFT HAND DRIVE		6368033	3
	BUSHING - Relay lever	4.2 Litre Eng.	LEFT HAND DRIVE	6368033	3
	WASHER - Relay lever	(M) 6 Cyl. Eng. Disc Brakes			
		LEFT HAND DRIVE		7409936	1
	WASHER - Relay lever	4.2 Litre Eng.	LEFT HAND DRIVE	7409936	1

HOLDEN "LH" PARTS CATALOGUE

GROUP	DESCRIPTION	MODEL	SIDE	PART No.	QTY.
4.636	SPACER — Brake pedal mounting				
	SPACER	LEFT HAND DRIVE		9929531	1
	WASHER - Spacer	LEFT HAND DRIVE		7409936	1
4.636	BOLT — Brake pedal pivot				
	BOLT - Hex. hd. 1/2" - 13 x 7.50"	RIGHT HAND DRIVE		SP2297	1
	BOLT - Hex. hd. 1/2" - 13 x 5 3/4"	6, 8 Cyl. Eng.LEFT HAND DRIVE		215723	1
	NUT - Pivot bolt	ALL		SP2561	1
4.639	SPRING — Brake pedal return				
	SPRING	ALL		2824703	1
	EXTENSION - Return spring to push rod	ALL		9928919	1
4.649	REPAIR KIT — Brake main cylinder				
	REPAIR KIT	ALL		2824362	1
4.650	CYLINDER — Brake main				
	CYLINDER ASSY.	Drum Brakes		9930514	1
	CYLINDER ASSY.	Disc Brakes		9990545	1
	BODY ASSY.	Drum Brakes		2811648	1
	BODY ASSY.	Disc Brakes		2811649	1
4.651	COVER, DIAPHRAGM, BAIL — Brake main cylinder				
	COVER	ALL		2811650	1
	DIAPHRAGM - Cover	ALL		2811651	1
	BAIL - Cover	ALL		2823803	1
4.652	INSERT, PLUG, WASHER — Brake main cylinder				
	INSERT - Tube fitting	ALL		5452322	2
	PLUG	ALL		7433139	1
	WASHER - Plug	ALL		7433162	1
4.653	PISTON — Brake main cylinder				
	PISTON - Primary	ALL		9930519	1
	PISTON - Secondary	ALL		7434961	1
	STOP - Primary piston	ALL		5452315	1
	SCREW - Secondary piston stop	ALL		5464478	1
4.654	SEAL, PROTECTOR — Brake main cylinder piston				
	SEAL - Primary	ALL		5453620	2
	SEAL - Secondary	ALL		5460195	3
	PROTECTOR - Primary seal	ALL		5462635	2
4.655	SPRING, RETAINER — Brake main cylinder piston				
	SPRING & RETAINER ASSY. - Secondary	ALL		2819950	1
	SPRING - Primary	ALL		5452520	1
	RETAINER - Primary spring	ALL		5464424	1
4.656	RING, SCREW — Brake main cylinder				
	RING - Lock	ALL		5467356	1
	SCREW - Primary piston extension	ALL		5452519	1
4.657	VALVE, SPRING — Brake main cylinder check				
	VALVE ASSY.	ALL		5462642	2-1
	SPRING - Valve	ALL		5462637	2-1
4.658	ROD — Brake main cylinder push				
	ROD	Drum Brakes		9928759	1
	ROD	(M) 6 Cyl. Eng. Disc Brakes			
		LEFT HAND DRIVE		9931424	1

HOLDEN "LH" PARTS CATALOGUE

GROUP	DESCRIPTION	MODEL	SIDE	PART No.	QTY.
4.658	ROD — Brake main cylinder push (contd.)				
	ROD	4.2 Litre Eng.	LEFT HAND DRIVE	9931424	1
	RETAINER - Push rod	Drum Brakes		9928571	1
	RETAINER - Push rod	(M) 6 Cyl. Eng. Disc Brakes			
			LEFT HAND DRIVE	2818206	2
	RETAINER - Push rod pin to lever	(M) 6 Cyl. Eng. Disc Brakes			
			LEFT HAND DRIVE	2820067	2
	RETAINER - Push rod	4.2 Litre Eng.	LEFT HAND DRIVE	2818206	2
	RETAINER - Push rod pin to lever	4.2 Litre Eng.	LEFT HAND DRIVE	2820067	2
4.659	BOOT — Brake main cylinder push rod				
	BOOT	Drum Brakes	<i>~ LH</i>	9928905	1
	BOOT	(M) 6 Cyl. Eng. Disc Brakes			
			LEFT HAND DRIVE	9931423	1
	BOOT	4.2 Litre Eng.	LEFT HAND DRIVE	9931423	1
4.662	PIN, TRUNNION — Brake main cylinder rod end				
	PIN - Push rod to brake pedal	ALL		9928956	1
	PIN - Relay lever to push rod	(M) 6 Cyl. Eng. Disc Brakes			
			LEFT HAND DRIVE	9937361	1
	PIN - Relay lever to push rod	4.2 Litre Eng.	LEFT HAND DRIVE	9937361	1
	TRUNNION - Push rod	(M) 6 Cyl. Eng. Disc Brakes			
			LEFT HAND DRIVE	9931422	1
	TRUNNION - Push rod	4.2 Litre Eng.	LEFT HAND DRIVE	9931422	1
4.665	CYLINDER, BODY, REPAIR KIT — Wheel brake				
	CYLINDER ASSY. - Front	Drum Brakes	LH	7438308	1
			RH	7438309	1
	CYLINDER ASSY. - Rear	Exc. L34 Eng.		9933081	2
	CYLINDER ASSY. - Rear	L34 Eng.		7438310	2
	BODY - Front	Drum Brakes	LH	7438090	1
			RH	7438089	1
	BODY - Rear	Exc. L34 Eng.		9933082	2
	BODY - Rear	L34 Eng.		7438311	2
	REPAIR KIT - Front	Drum Brakes		7439076	2
	REPAIR KIT - Rear	Exc. L34 Eng.		7419526	2
	REPAIR KIT - Rear	L34 Eng.		7439077	2
		<i>* FOR LARGE LH CHECK Cyl SIZE, SOME V.I.E. VS13357</i>			<i>13/16</i>
					<i>3/4</i>
4.666	VALVE — Wheel brake bleeder				
	VALVE - Front & rear cylinder	ALL		7420715	4-2
	VALVE - Front caliper	Disc Brakes		VS11926	2
4.667	CUP, RING — Wheel brake cylinder				
	CUP - Front	Drum Brakes		5455298	4
	CUP - Rear	Exc. L34 Eng.		9933080	4
	CUP - Rear	L34 Eng.		5455481	4
4.667	REPAIR KIT — Front caliper				
	REPAIR KIT - Front caliper	Disc Brakes exc. L34 Eng.		VS12451	<i>2</i>
	REPAIR KIT - Front caliper	L34 Eng.		VS11918	<i>2</i>
4.668	PISTON — Wheel brake cylinder, caliper				
	PISTON - Front	Drum Brakes		7438390	4
	PISTON - Front caliper	Disc Brakes exc. L34 Eng.		VS12449	2
	PISTON - Front caliper	L34 Eng.		VS11927	4
	PISTON - Rear	Exc. L34 Eng.		9933079	4
	PISTON - Rear	L34 Eng.		7438367	4
	EXPANDER - Rear	Exc. L34 Eng.		9933090	2

HOLDEN "LH" PARTS CATALOGUE

GROUP	DESCRIPTION	MODEL	SIDE	PART No.	QTY.
4.669	SPRING — Wheel brake cylinder				
	SPRING - Front	Drum Brakes		5455487	2
	SPRING - Rear	Exc. L34 Eng.		9933089	2
	SPRING - Rear	L34 Eng.		5455421	2
4.670	BOOT — Wheel brake cylinder				
	BOOT - Front	Drum Brakes		7438159	4
	BOOT - Rear	Exc. L34 Eng.		7420773	4
	BOOT - Rear	L34 Eng.		7438425	4
4.675	LINK — Wheel brake cylinder connecting				
	FRONT & REAR	Exc. L34 Eng.		7420743	8-4
	LINK - Rear	L34 Eng.		7433172	4
4.680	HOSE — Brake				
	HOSE - Front	Drum Brakes		9929174	2
	HOSE - Front	Disc Brakes exc. L34 Eng.		9928589	2
	HOSE - Front	L34 Eng.		9937318	2
	WASHER - Front hose to wheel cyl.	ALL		7410046	2
	HOSE - Rear	ALL		9928631	1
4.681	BRACKET — Brake hose				
	BRACKET - Front	Drum Brakes		9928569	2
	SCREW - Bracket to crossmember hex. hd. top $\frac{1}{8}$ " - 18 x .625"	Drum Brakes		SP2240	2
	CLIP - Rear hose to underbody	ALL		120527	1
	BRACKET - Rear hose conn. mounting	ALL		2808757	1
	BRACKET - Rear hose to underbody	ALL		9928960	1
	SPRING - Yoke	ALL		476737	A.R.
4.685	PIPE, CLIP — Brake				
	PIPE ASSY. - Main cylinder to switch, front	Drum Brakes	RIGHT HAND DRIVE	2829936	1
			LEFT HAND DRIVE	9931019	1
	PIPE ASSY. - Main cylinder to switch, rear	Drum Brakes	RIGHT HAND DRIVE	2829937	1
			LEFT HAND DRIVE	9931020	1
	PIPE ASSY. - Main cylinder to switch, front	Power Brakes	RIGHT HAND DRIVE	9933167	1
	PIPE ASSY. - Main cylinder to switch, rear	Power Brakes	RIGHT HAND DRIVE	9933168	1
	PIPE ASSY. - Main cylinder to switch, front	4, 6 Cyl. Eng. Disc Brakes	RIGHT HAND DRIVE	2829938	1
	PIPE ASSY. - Main cylinder to switch, rear	4, 6 Cyl. Eng. Disc Brakes	RIGHT HAND DRIVE	2829939	1
	PIPE ASSY. - Main cylinder to switch, front	(M) 6 Cyl. Eng. Disc Brakes	LEFT HAND DRIVE	9932279	1
	PIPE ASSY. - Main cylinder to switch, rear	(M) 6 Cyl. Eng. Disc Brakes	LEFT HAND DRIVE	9932280	1
	PIPE ASSY. - Main cylinder to switch, front	(A) 6 Cyl. Eng. Disc Brakes	LEFT HAND DRIVE	9931021	1
	PIPE ASSY. - Main cylinder to switch, rear	(A) 6 Cyl. Eng. Disc Brakes	LEFT HAND DRIVE	9931022	1
	PIPE ASSY. - Main cylinder to switch, front	8 Cyl. Eng.	RIGHT HAND DRIVE	2829940	1
	PIPE ASSY. - Main cylinder to switch, rear	8 Cyl. Eng.	RIGHT HAND DRIVE	2829941	1
	PIPE ASSY. - Main cylinder to switch, front	4.2 Litre Eng.	LEFT HAND DRIVE	9931023	1
	PIPE ASSY. - Main cylinder to switch, rear	4.2 Litre Eng.	LEFT HAND DRIVE	9931024	1
	PIPE ASSY. - Connector to L.H. rear brake	Exc. L34 Eng.		9929299	1
	PIPE ASSY. - Connector to R.H. rear brake	Exc. L34 Eng.		9929300	1
	PIPE ASSY. - Connector to L.H. rear brake	L34 Eng.		9935161	1
	PIPE ASSY. - Connector to R.H. rear brake	L34 Eng.		9935160	1
	PIPE ASSY. - Switch to left front brake	Drum Brakes		9929245	1
	PIPE ASSY. - Switch to right front brake	Drum Brakes		9929246	1
	PIPE ASSY. - Switch to left front brake	Disc Brakes		9929524	1
	PIPE ASSY. - Switch to right front brake	Disc Brakes		9929523	1
	PIPE ASSY. - Switch to union	Drum Brakes Air Cond.	LEFT HAND DRIVE	9932584	1

HOLDEN "LH" PARTS CATALOGUE

GROUP	DESCRIPTION	MODEL	SIDE	PART No.	QTY.
4.685	PIPE, CLIP — Brake (contd.)				
	PIPE ASSY. - Switch to union	Disc Brakes	RIGHT HAND DRIVE	9929960	1
	PIPE ASSY. - Switch to union	4, 6 Cyl. Eng. Disc Brakes exc. Air Cond.	LEFT HAND DRIVE	9929960	1
	PIPE ASSY. - Switch to union	4, 6 Cyl. Eng. Disc Brakes Air Cond.	LEFT HAND DRIVE	9932585	1
	PIPE ASSY. - Switch to union	8 Cyl. Eng.	LEFT HAND DRIVE	9929960	1
	PIPE ASSY. - Union to rear hose	ALL		9929012	1
	PIPE ASSY. - Switch to rear hose	Drum Brakes	RIGHT HAND DRIVE	9938055	1
	PIPE ASSY. - Switch to rear hose	Drum Brakes exc. Air Cond.	LEFT HAND DRIVE	9938055	1
	PIPE ASSY. - Switch to rear hose	Drum Brakes Air Cond.	LEFT HAND DRIVE	9938053	1
	PIPE ASSY. - Switch to rear hose	Disc Brakes	RIGHT HAND DRIVE	9938054	1
	PIPE ASSY. - Switch to rear hose	6 Cyl. Eng. Disc Brakes exc. Air Cond.	LEFT HAND DRIVE	9938054	1
	PIPE ASSY. - Switch to rear hose	6 Cyl. Eng. Disc. Brakes Air Cond.	LEFT HAND DRIVE	9938052	1
	PIPE ASSY. - Switch to rear hose	8 Cyl. Eng.	LEFT HAND DRIVE	9938054	1
	CLIP - Pipe to axle housing	ALL		7415654	2
	CLIP - Pipe to engine side rail	ALL		SP2359	1
	CLIP - Brake and fuel pipe to engine side rail	ALL		9936423	1
	CLIP - Main cylinder to switch front and rear pipes		LEFT HAND DRIVE	SP2299	3
	CLIP - Switch to union and LH front pipe	Air Cond.	LEFT HAND DRIVE	SP2299	1
	CLIP - Fuel pipe to brake pipe	6 Cyl. Eng. Air Cond.	LEFT HAND DRIVE	599119	1
	PROTECTOR - Brake and fuel pipes	ALL		9930116	1
	PROTECTOR - Switch to union	6 Cyl. Eng. Air Cond.	LEFT HAND DRIVE	9933304	1
4.686	CONNECTOR and SWITCH — Brake pipe				
	CONNECTOR & SWITCH ASSY. - Pressure warning	Drum Brakes		2817426	1
	SWITCH ASSY. - Pressure warning	Drum Brakes		VS11789	1
	VALVE ASSY. - Pressure warning switch and proportioning	Disc Brakes		9929907	1
	CONNECTOR - Rear brake pipe tee	ALL		7423276	1
	CONNECTOR - Rear brake pipe	ALL		SP2235	1
4.764	EQUALISER — Parking brake cable				
	EQUALISER ASSY.	ALL		6256437	1
4.826	CABLE — Parking brake				
	CABLE ASSY. - Front		RIGHT HAND DRIVE	2825236	1
	CABLE ASSY. - Front		LEFT HAND DRIVE	9930525	1
	CABLE ASSY. - Rear	Exc. L34 Eng.	LH	9935009	1
	CABLE ASSY. - Rear	L34 Eng.	RH	9935010	1
	CABLE ASSY. - Rear	L34 Eng.	LH	9935171	1
	CABLE ASSY. - Rear	L34 Eng.	RH	9935170	1
	CLIP - Cable to lower control arm			145411	2
	CLIP - Front cable to floor	ALL		SP1735	2
	CLIP - Front cable to fender skirt		LEFT HAND DRIVE	SP1735	1
	SPRING - Yoke	ALL		476737	1-2
4.829	BRACKET, GUIDE — Parking brake cable				
	BRACKET - Front cable	4 Cyl. Eng.		9936496	1
	BRACKET - Front cable	6, 8 Cyl. Eng.		2825188	1
	BRACKET - Rear cable	ALL		2829987	1
	GUIDE - Rear cable	ALL		2829801	2
4.830	CONNECTOR — Parking brake intermediate and rear cable				
	CONNECTOR	ALL		(3770112)	1
				9945749	

HOLDEN "LH" PARTS CATALOGUE

GROUP	DESCRIPTION	MODEL	SIDE	PART No.	QTY.
4.901	BRACKET, SUPPORT - Brake booster mounting				
	BRACKET ASSY.	(M) 6 Cyl. Eng. Disc Brakes			
		LEFT HAND DRIVE		9931488	1
	BRACKET ASSY.	4.2 Litre Eng.	LEFT HAND DRIVE	9931488	1
	SUPPORT	(M) 6 Cyl. Eng. Disc Brakes			
		LEFT HAND DRIVE		9931555	1
	SUPPORT	4.2 Litre Eng.	LEFT HAND DRIVE	9934004	1
4.902	BOOSTER, REPAIR KIT - Brake vacuum servo				
	BOOSTER ASSY. - (Branded VH246)	Power Brakes	RIGHT HAND DRIVE	9938155	1
	BOOSTER ASSY. - (Branded VH246)	4, 6 Cyl. Eng. Disc Brakes	RIGHT HAND DRIVE	9938155	1
	BOOSTER ASSY. - (Branded VH247)	(M) 6 Cyl. Eng. Disc Brakes	LEFT HAND DRIVE	9932048	1
	BOOSTER ASSY. - (Branded VH246)	(A) 6 Cyl. Eng. Disc. Brakes	LEFT HAND DRIVE	9938155	1
	BOOSTER ASSY. - (Branded VH329)	8 Cyl. Eng.	RIGHT HAND DRIVE	9938154	1
	BOOSTER ASSY. - (Branded VH330)		LEFT HAND DRIVE	9931882	1
	REPAIR KIT - (Booster VH246)	4, 6 Cyl. Eng. Disc Brakes	RIGHT HAND DRIVE	VS12423	1
	REPAIR KIT - Major (Booster VH247)	(M) 6 Cyl. Eng. Disc Brakes	LEFT HAND DRIVE	VS12496	1
	REPAIR KIT - (Booster VH246)	(A) 6 Cyl. Eng. Disc Brakes	LEFT HAND DRIVE	VS12423	1
	REPAIR KIT - (Booster VH246)	6 Cyl. Eng. Power Drum Brakes		VS12423	1
	REPAIR KIT - (Booster VH271)	4, 6 Cyl. Eng. Disc. Power Brakes	RIGHT HAND DRIVE	VS13323	1
	REPAIR KIT - (Booster VH271)	(A) 6 Cyl. Eng. Disc. Brakes	LEFT HAND DRIVE	VS13323	1
	REPAIR KIT - (Booster VH329)	8 Cyl. Eng.	RIGHT HAND DRIVE	VS12424	1
	REPAIR KIT - Major (Booster VH330)	8 Cyl. Eng.	LEFT HAND DRIVE	VS12494	1
	BOOSTER PACKAGE	(M) Drum Brakes	RIGHT HAND DRIVE	9933235	1
	BOOSTER PACKAGE	(A) Drum Brakes	RIGHT HAND DRIVE	9935276	1
	WASHER - Booster to main cylinder	Disc Brakes	LEFT HAND DRIVE	274517	1
	NUT - Booster to main cylinder	Disc Brakes		9422277	2
4.903	FILTER - Brake vacuum servo booster				
	FILTER - Air	Disc & Power Brakes		VS10577	1
4.904	VALVE - Brake vacuum servo booster				
	VALVE ASSY. - Check	Disc Brakes		9938160	1
	GROMMET - Check valve	Disc Brakes		VS11185	1
4.906	PLATE - Brake vacuum servo booster diaphragm				
	PLATE - Diaphragm pressure (Booster VH246, VH329)	Disc & Power Brakes		VS11172	1
	PLATE - Diaphragm pressure (Booster VH271)	Disc & Power Brakes		VS13321	1
4.907	SEAL, KEY, BOOT, ROD, DISC - Brake vacuum servo booster				
	SEAL - Push rod (Booster VH246, VH271, VH329) ..	Disc & Power Brakes		VS10576	1
	PLATE - Push rod seal support (Booster VH246, VH271, VH329)	Disc & Power Brakes		VS11178	1
	KEY - Plunger locking (Booster VH246, VH329)	Disc & Power Brakes		VS11177	1
	KEY - Plunger locking (Booster VH271)	Disc & Power Brakes		VS13322	1
	BOOT - Plunger (Booster VH246, VH329)	Disc & Power Brakes		VS10574	1
	PLATE - Boot retaining (Booster VH246, VH329) ..	Disc & Power Brakes		VS11176	1
	WASHER - Plunger felt (Booster VH246, VH271, VH329)	Disc & Power Brakes		VS10578	1
	ROD - Main cylinder push (Booster VH271)	Disc & Power Brakes		VS13315	1
	DISC - Reaction (Booster VH246, VH271, VH329) ..	Disc & Power Brakes		VS10575	1

HOLDEN "LH" PARTS CATALOGUE

GROUP	DESCRIPTION	MODEL	SIDE	PART No.	QTY.
4.908	SEAL — Brake vacuum servo booster shell				
	SEAL - Rear shell (Booster VH246, VH271, VH329)	Disc & Power Brakes		VS10579	1
	SEAL - Centre shell (Booster VH329)	Disc Brakes		VS10664	1
	'O' RING - Adaptor (Booster VH329)	Disc Brakes		VS10975	1
4.908	DIAPHRAGM, SPRING — Brake vacuum servo booster				
	DIAPHRAGM - Rear (Booster VH246, VH329)	Disc & Power Brakes		VS11170	1
	DIAPHRAGM - Rear (Booster VH271)	Disc & Power Brakes		VS13320	1
	SPRING - Diaphragm return (Booster VH246, VH329)	Disc & Power Brakes		VS11171	1
	SPRING - Diaphragm return (Booster VH271)	Disc & Power Brakes		VS13316	1
4.931	HOSE — Brake vacuum servo				
	HOSE	Power Brakes RIGHT HAND DRIVE		2816860	1
	HOSE	4 Cyl. Eng. Disc Brakes		7438528	1
	HOSE	6 Cyl. Eng. Disc Brakes			
		RIGHT HAND DRIVE		2816860	1
		LEFT HAND DRIVE		7438528	1
	HOSE	8 Cyl. exc. L34 Eng. Disc Brakes			
		RIGHT HAND DRIVE		7437814	1
		LEFT HAND DRIVE		7449240	1
	HOSE	L34 Eng.		7438528	1
	CLAMP - Hose	Disc Brakes		272846	2
5.001	PLATE — Brake backing				
	PLATE - Front	Drum Brakes	LH	2805399	1
			RH	2805400	1
	PLATE ASSY. - Rear	Exc. L34 Eng.	LH	2805545	1
			RH	2805546	1
	PLATE ASSY. - Rear	L34 Eng.	LH	2814721	1
			RH	2814722	1
5.002	BOLT, LOCK PLATE — Brake backing plate mounting				
	LOCK PLATE - Front	Drum Brakes		7423746	2
	BOLT - Rear plate to axle	ALL		2817738	8
5.010	CALIPER — Disc brake				
	CALIPER ASSY.	Exc. L34 Eng.	LH	9928983	1
			RH	9928984	1
	BOLT - Caliper to knuckle	Exc. L34 Eng.		181669	4
	CALIPER ASSY.	L34 Eng.	LH	9932485	1
			RH	9932484	1
	BOLT - Caliper to knuckle	L34 Eng.		454975	4
5.011	SHIELD — Brake callper splash				
	SHIELD	Exc. L34 Eng.	LH	9935651	1
			RH	9935652	1
5.017	SHOE and LINING — Brake				
	FRONT - Primary	Drum Brakes		2815497	2
	FRONT - Secondary	Drum Brakes		2815499	2
	REAR - Primary	Exc. L34 Eng.		2815497	2
	REAR - Secondary	Exc. L34 Eng.		2815499	2
	SHOE & LINING SET - Rear (Rivetted)	L34 Eng.		2819720	1
	SHOE & LINING SET - Rear (Rivetted) .030" O/S ..	L34 Eng.		2819724	1

HOLDEN "LH" PARTS CATALOGUE

GROUP	DESCRIPTION	MODEL	SIDE	PART No.	QTY.
5.018	LINING SET — Brake				
	LINING SET — Front	Drum Brakes		7427905	1
	*PAD SET — Front	Exc. L34 Eng.		VS12450	1
	PAD SET — Front — Heavy duty	Exc. L34 Eng.		VS13224	1
	PAD SET — Front	L34 Eng.		VS12742	1
	LINING SET — Rear	Exc. L34 Eng.		7427905	1
	LINING SET — Rear (2 wheels)	L34 Eng.		2819726	1
	LINING SET — Rear, .030" O/S (2 wheels)	L34 Eng.		2819728	1
	SHIM — Brake caliper piston	Exc. L34 Eng.		VS12606	A.R.
5.019	RIVET — Brake lining				
	RIVET	ALL		7405754	72
5.020	REPAIR KIT — Brake caliper				
	REPAIR KIT — Minor	Disc Brakes exc. L34 Eng.		(⁶³ VS12696	1
	REPAIR KIT — Major	Disc Brakes exc. L34 Eng.		(⁶⁴ VS12697	1
	REPAIR KIT — Caliper guide	L34 Eng.		VS11931	1
5.020	CLIP, KEY, SPRING — Brake caliper				
	CLIP	Disc Brakes exc. L34 Eng.	<i>N.C.A.</i>	VS12448	2
	KEY — Spacer	Disc Brakes exc. L34 Eng.		VS12446	2
	SPRING	Disc Brakes exc. L34 Eng.		VS12447	4
	CLIP — Key retaining	Disc Brakes exc. L34 Eng.		VS12607	2
5.020	SPRING — Brake caliper pad				
	SPRING — Anti-rattle	L34 Eng.		VS11928	2
5.026	SPRING — Brake shoe retractor				
	SPRING	Exc. L34 Eng.		7426770	8-4
	SPRING	L34 Eng.		7433016	4
	SPRING — Brake adjusting nut	Exc. L34 Eng.		7426769	4-2
	SPRING — Brake adjusting nut	L34 Eng.		7432147	2
5.041	PIN — Brake shoe hold down				
	PIN	Exc. L34 Eng.		7423578	8-4
	PIN	L34 Eng.		7433915	4
5.043	SPRING — Brake shoe hold down pin				
	SPRING	ALL		7410794	8-4
5.045	PLATE — Brake shoe guide				
	PLATE — Front	Drum Brakes		7426808	2
	PLATE — Rear	Exc. L34 Eng.		7426783	2
	PLATE — Rear	L34 Eng.		7437019	2
5.055	PIN — Front brake anchor				
	PIN	Drum Brakes		7423242	2
5.103	LEVER, PLATE, BUSHING — Brake				
	LEVER — Adjuster	ALL	LH	7426775	2-1
			RH	7426776	2-1
	PLATE — Adjuster lever	ALL	LH	7426777	2-1
			RH	7426778	2-1
	BUSHING — Adjuster	ALL		7426774	4-2

Note: (⁶³ Comprises 2-VS12447, 2-VS12607.

(⁶⁴ Comprises 2-VS12446, 2-VS12447, 4-VS12607, 2-VS12448.

HOLDEN "LH" PARTS CATALOGUE

GROUP	DESCRIPTION	MODEL	SIDE	PART No.	QTY.
5.105	LINK — Brake adjuster				
	LINK - Green. Effective length 3.20"	Exc. L34 Eng.		(# 7426780	A.R.
	LINK - Black. Effective length 3.26"	Exc. L34 Eng.		(# 7426781	A.R.
	LINK - Red. Effective length 3.32"	Exc. L34 Eng.		(# 7426782	A.R.
	LINK - Black. Effective length 3.20"	L34 Eng.		(# 7433017	2
	LINK - Red. Effective length 3.96"	L34 Eng.		(# 7433018	2
	LINK - Yellow. Effective length 4.02"	L34 Eng.		(# 7433019	2
5.107	SPRING — Brake adjuster				
	SPRING - Overload	ALL		7426772	4-2
	SPRING - Return	ALL		7426773	4-2
5.110	WASHER, SCREW — Brake adjusting				
	WASHER	ALL		7424836	4-2
	SCREW	Exc. L34 Eng.	LH	2820533	2-1
			RH	2820532	2-1
	SCREW	L34 Eng.	LH	2820531	1
			RH	2820530	1
5.111	NUT, PLUG — Brake adjusting				
	NUT	Exc. L34 Eng.	LH	7424835	2-1
			RH	7426790	2-1
	NUT	L34 Eng.	LH	7433131	1
			RH	7433130	1
	PLUG - Adjusting screw	Exc. L34 Eng.		7438646	4-2
5.149	LEVER — Parking brake actuating				
	LEVER ASSY.	Exc. L34 Eng.	LH	7420807	1
			RH	7420808	1
	LEVER ASSY.	L34 Eng.	LH	7433121	1
			RH	7433122	1
5.150	STRUT — Parking brake actuating lever				
	STRUT	Exc. L34 Eng.		7420795	2
	STRUT	L34 Eng.		2814723	2
5.151	SPRING — Parking brake lever strut				
	SPRING	ALL		7420762	2
5.158	PIN, CLIP, WASHER — Parking brake lever				
	PIN	ALL		7420779	2
	CLIP - Lever retainer	ALL		5454798	2
	WASHER - Lever to secondary shoe	ALL		5454797	2
5.188	COVER — Brake adjusting hole				
	COVER	ALL		7423304	4-2

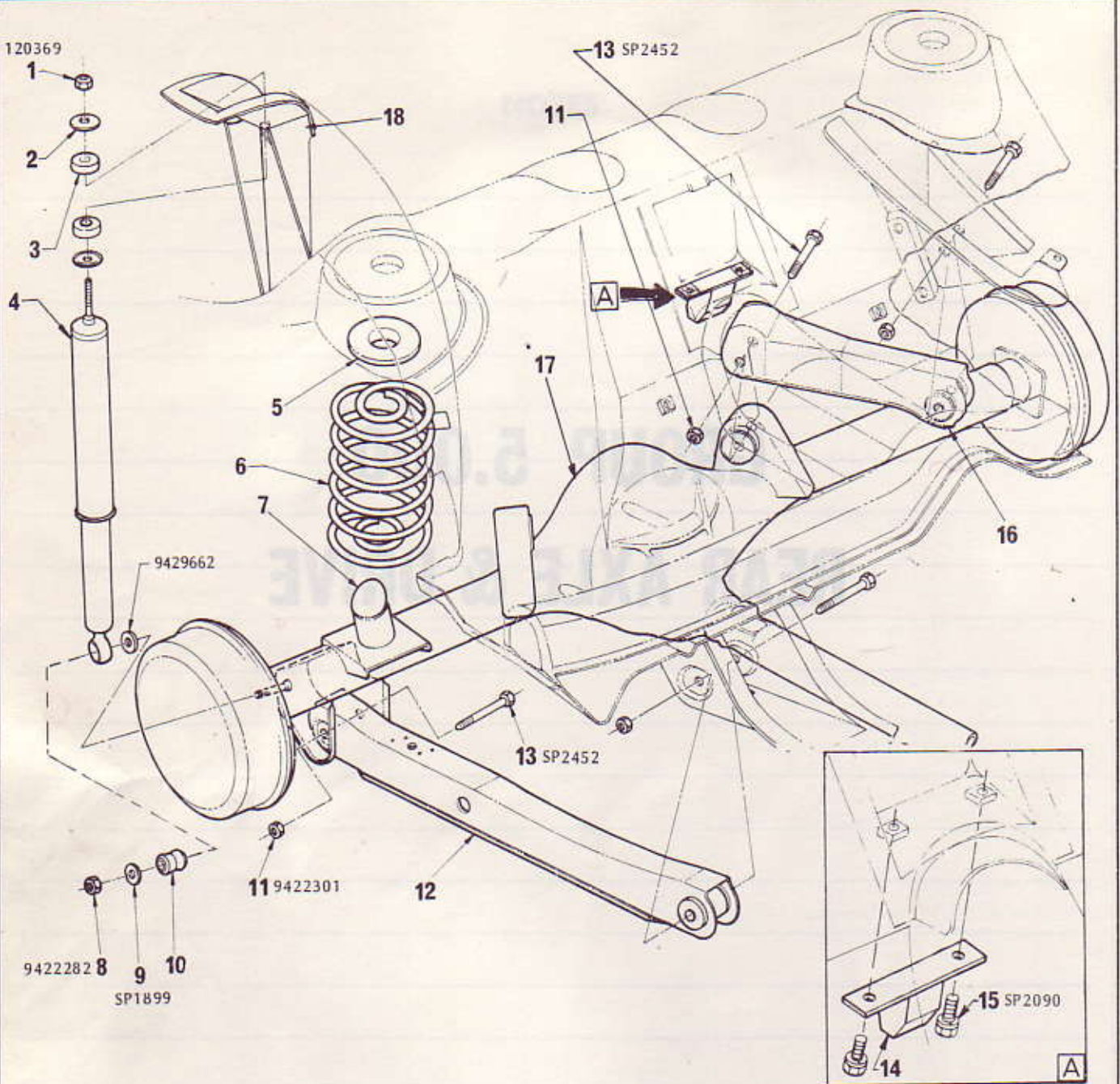
Note: (# Selective fit.

NOTES

GROUP 5.000

REAR AXLE & DRIVE

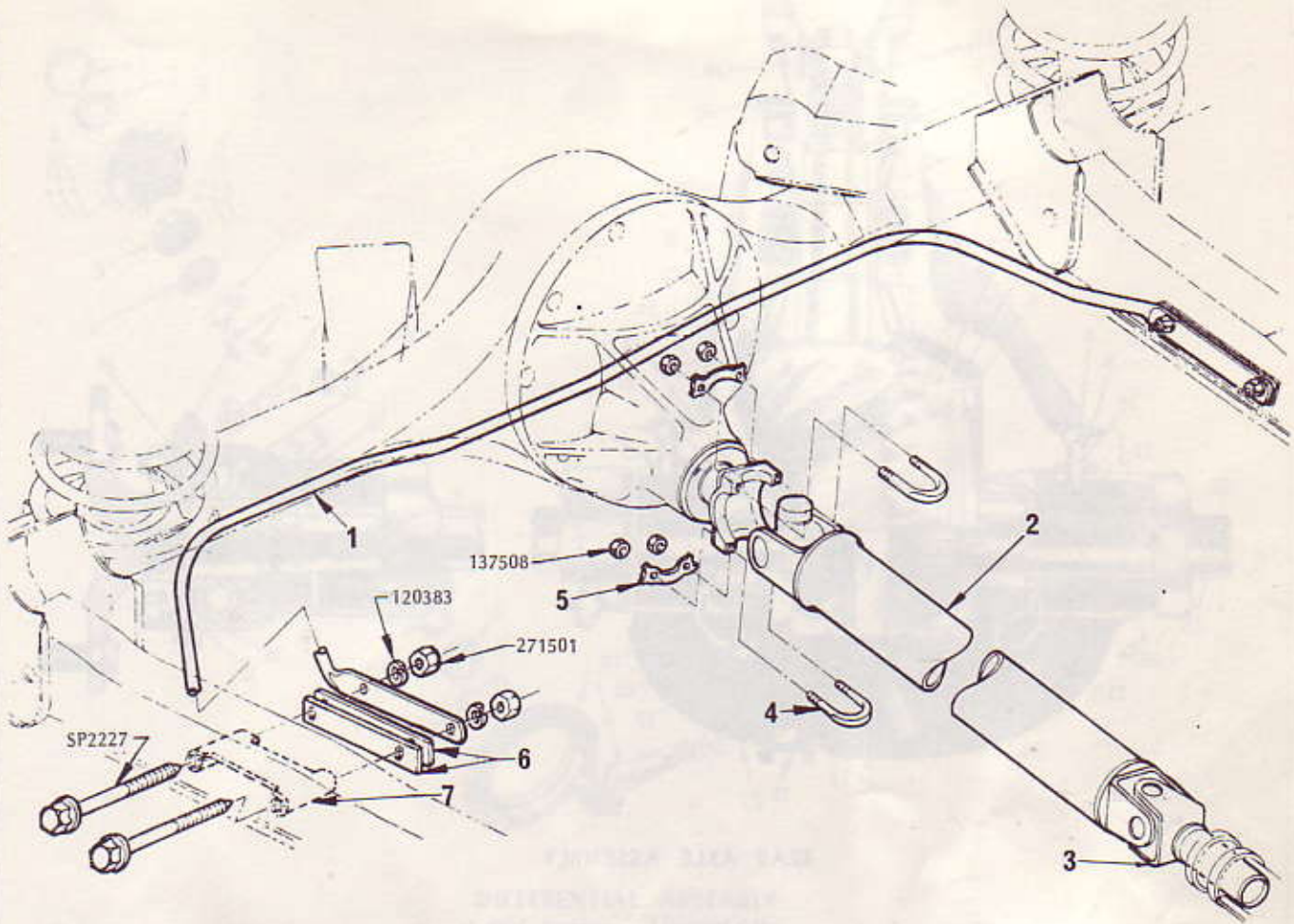
QTY	DESCRIPTION	REF. NO.	QTY	DESCRIPTION	REF. NO.
1	AXLE ASSEMBLY	11000	1	DRIVE SHAFT	11000
1	AXLE TUBE	11000	1	DIFFERENTIAL HOUSING	11000
1	AXLE HUB	11000	1	AXLE SHAFT	11000
1	AXLE KEY	11000	1	DRIVE SHAFT KEY	11000
1	AXLE NUT	11000	1	DIFFERENTIAL PIN	11000
1	AXLE WASHER	11000	1	AXLE BUSHING	11000
1	AXLE BRACKET	11000	1	DRIVE SHAFT BUSHING	11000
1	AXLE PIN	11000	1	DIFFERENTIAL BEARING	11000
1	AXLE SPRING	11000	1	AXLE BUSHING	11000
1	AXLE SHOCK	11000	1	DRIVE SHAFT BUSHING	11000
1	AXLE STRUT	11000	1	DIFFERENTIAL BEARING	11000
1	AXLE BALL JOINT	11000	1	AXLE BUSHING	11000
1	AXLE STEERING ARM	11000	1	DRIVE SHAFT BUSHING	11000
1	AXLE TIE ROD	11000	1	DIFFERENTIAL BEARING	11000
1	AXLE LOWER ARM	11000	1	AXLE BUSHING	11000
1	AXLE UPPER ARM	11000	1	DRIVE SHAFT BUSHING	11000
1	AXLE LOWER BALL JOINT	11000	1	DIFFERENTIAL BEARING	11000
1	AXLE UPPER BALL JOINT	11000	1	AXLE BUSHING	11000
1	AXLE LOWER SHOCK	11000	1	DRIVE SHAFT BUSHING	11000
1	AXLE UPPER SHOCK	11000	1	DIFFERENTIAL BEARING	11000
1	AXLE LOWER STRUT	11000	1	AXLE BUSHING	11000
1	AXLE UPPER STRUT	11000	1	DRIVE SHAFT BUSHING	11000
1	AXLE LOWER BALL JOINT	11000	1	DIFFERENTIAL BEARING	11000
1	AXLE UPPER BALL JOINT	11000	1	AXLE BUSHING	11000
1	AXLE LOWER SHOCK	11000	1	DRIVE SHAFT BUSHING	11000
1	AXLE UPPER SHOCK	11000	1	DIFFERENTIAL BEARING	11000
1	AXLE LOWER STRUT	11000	1	AXLE BUSHING	11000
1	AXLE UPPER STRUT	11000	1	DRIVE SHAFT BUSHING	11000



8UG, 8UH, 5 Litre Eng.

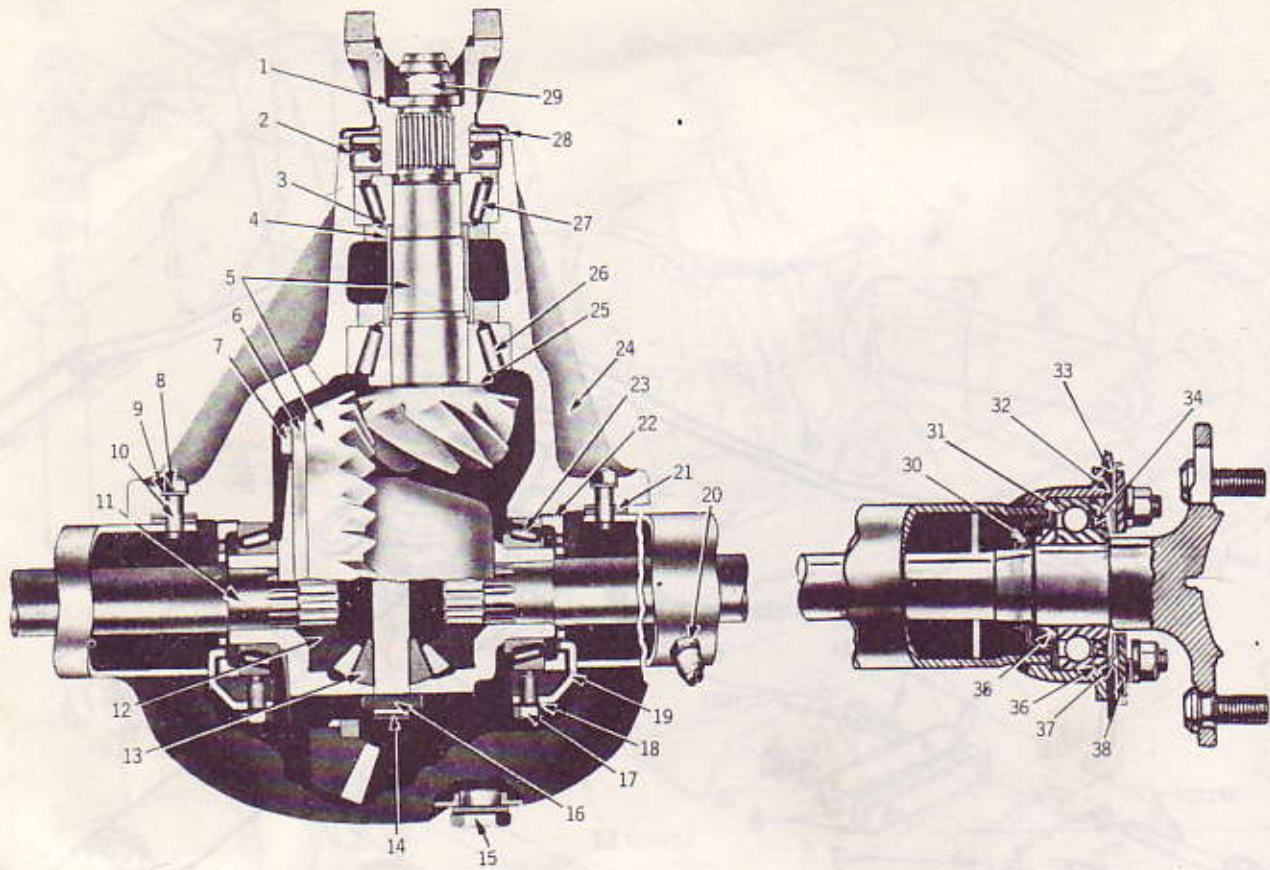
REAR AXLE & SUSPENSION

ILLUS. REF NO.	PART NAME	GROUP	ILLUS. REF. NO.	PART NAME	GROUP
1.	NUT - Shock absorber to upper mtg.	7.370	10.	BUSHING - Rear, lower	7.370
2.	PLATE - Shock absorber to mtg.	7.370	11.	NUT - Hex. self locking 1/2" - 13	5.382
3.	BUSHING - Shock absorber to mtg.	7.370	12.	ARM ASSEMBLY - Lower	5.382
4.	SHOCK ABSORBER ASSY.	7.345	13.	BOLT - 1/2" - 13 UNC x 3.63"	5.382
5.	INSULATOR - Rear spring	7.545	14.	BUMPER - Pinion nose	5.395
6.	SPRING - Rear	7.503	15.	BOLT - Hex. hd. 5/16" - 18 x .875"	5.395
7.	BUMPER - Rear axle	7.535	16.	ARM ASSEMBLY - Upper	5.382
8.	NUT - Shock absorber to axle	7.370	17.	HOUSING ASSY. - Rear axle	5.387
9.	WASHER - Shock absorber to axle	7.370	18.	MOUNTING ASSY. - Shock absorber	12.984



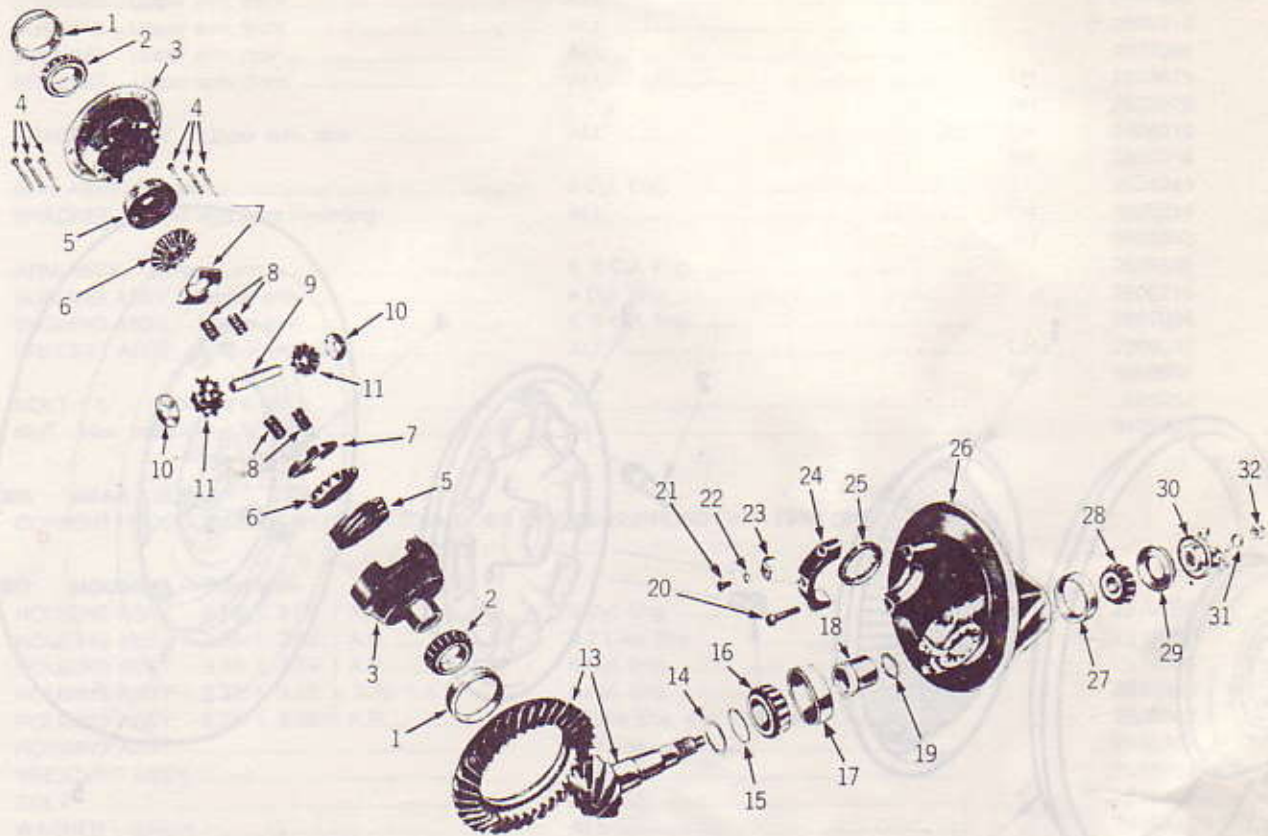
REAR STABILISER & PROPELLER SHAFT

ILLUS. REF. NO.	PART NAME	GROUP	ILLUS. REF. NO.	PART NAME	GROUP
1.	SHAFT - Rear stabiliser	5.415	5.	PLATE - Diff. pinion flange	5.546
2.	SHAFT ASSY. - Propeller	5.441	6.	SHIM - Rear stabiliser	5.415
3.	YOKE ASSY. - Front sleeve	5.555	7.	SPACER - Rear stabiliser	5.415
4.	"U" BOLT - Rear universal joint	5.586			



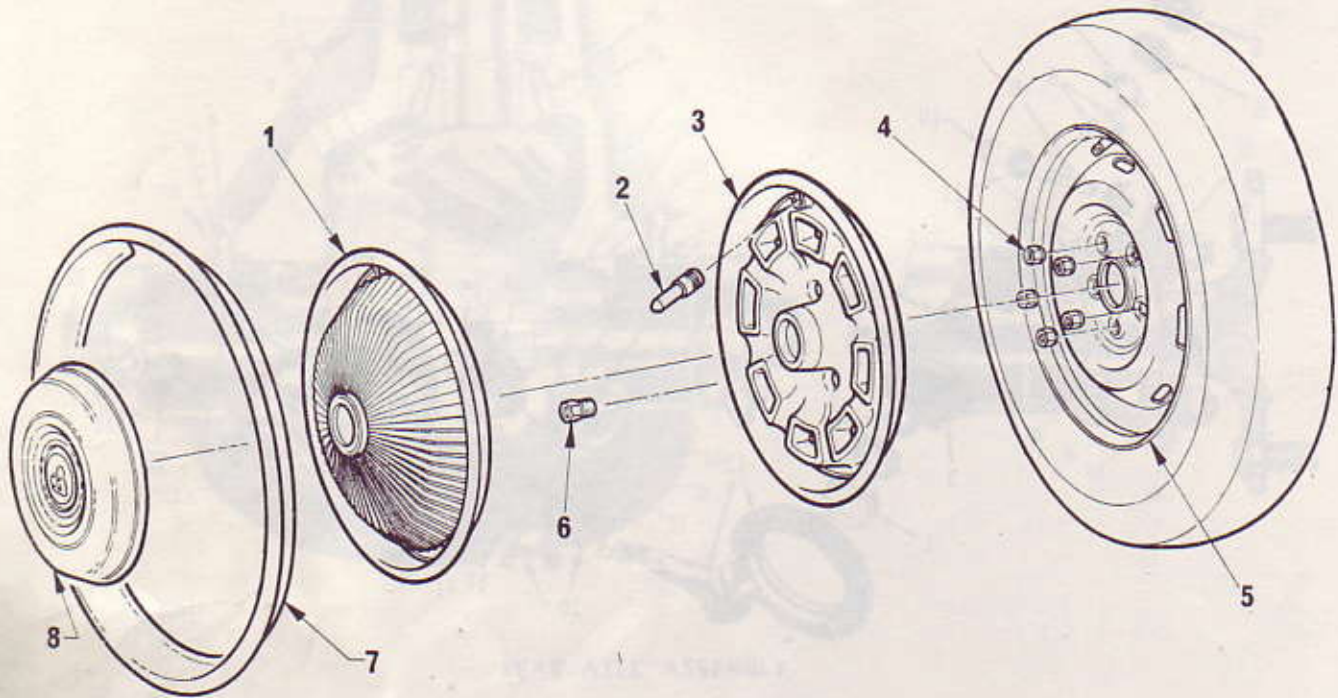
REAR AXLE ASSEMBLY

ILLUS. REF. NO.	PART NAME	GROUP	ILLUS. REF. NO.	PART NAME	GROUP
1.	WASHER - Flange nut	5.545	21.	GASKET	5.508
2.	SEAL - Pinion oil	5.469	22.	NUT - Adjusting	5.537
3.	SHIM - Preload	5.460	23.	CONE - Differential side bearing	5.536
4.	SPACER - Pinion bearing	5.453	24.	CARRIER & CAP ASSY.	5.505
5.	RING GEAR & PINION ASSY.	5.529	25.	SHIM - Locating	5.460
6.	CASE - Differential	5.510	26.	CONE - Rear pinion bearing	5.484
7.	BOLT - Ring gear	5.531	27.	CONE - Front pinion bearing	5.447
8.	NUT	8.915	28.	FLANGE ASSY.	5.545
9.	WASHER - Spring lock	8.931	29.	NUT - Flange retaining	5.545
10.	BOLT - Axle housing	5.387	30.	SEAL	5.822
11.	SHAFT - Axle	5.420	31.	BEARING - Axle shaft	5.855
12-13	GEAR SET - Differential	5.527	32.	PLATE - Brake backing	5.001
14.	SHAFT - Differential pinion	5.517	33.	GASKET - Oil deflector	5.819
15.	PLUG - Filler	5.400	34.	SEAL - Outer	5.822
16.	PIN - Spring	5.518	35.	RING	5.816
17.	BOLT	8.900	36.	"O" RING	5.822
18.	WASHER	8.931	37.	RETAINER	5.816
19.	LOCK	5.539	38.	REINFORCEMENT	5.816
20.	BREATHER ASSY.	5.387			



DIFFERENTIAL ASSEMBLY
6 Cyl. Engine – Limited Slip

ILLUS. REF. NO.	PART NAME	GROUP	ILLUS. REF. NO.	PART NAME	GROUP
1.	CUP – Differential side bearing	5.536	18.	SPACER – Pinion bearing	5.453
2.	CONE – Differential side bearing	5.536	19.	SHIM – Bearing preload	5.460
3/5.	CASE – Differential	5.510	20.	BOLT – Cap to carrier	5.506
4.	BOLT	8.900	21.	BOLT – Adjusting nut	8.900
5/3.	CASE – Differential	5.510	22.	WASHER – Lock	8.932
6.	GEAR – Differential side	5.528	23.	LOCK – Adjusting nut	5.539
7.	PLATE – Preload spring	5.511	24/26	CARRIER & CAP ASSY.	5.505
8.	SPRING – Preload	5.511	25.	NUT – Bearing adjusting	5.537
9.	SHAFT – Pinion	5.517	26/24	CARRIER & CAP ASSY.	5.505
10.	WASHER – Thrust	5.542	27.	CUP – Pinion front bearing	5.447
11.	PINION – Differential	5.526	28.	CONE – Pinion front bearing	5.447
13.	RING GEAR & PINION	5.529	29.	SEAL – Pinion oil	5.469
14.	SHIM – Pinion locating	5.460	30.	FLANGE ASSY.	5.545
15.	SHIM – Pinion locating	5.460	31.	WASHER – Flange nut	5.545
16.	CONE – Pinion rear bearing	5.484	32.	NUT – Flange retaining	5.545
17.	CUP – Pinion rear bearing	5.484			



TRIM RING & ROAD WHEEL

ILLUS. REF. NO.	PART NAME	GROUP	ILLUS. REF. NO.	PART NAME	GROUP
1.	COVER ASSEMBLY - Wheel	5.871	5.	WHEEL ASSEMBLY - Road	5.803
2.	EXTENSION - Tyre valve	5.875	6.	NUT - Chrome plated 1" high	5.813
3.	TRIM ASSEMBLY - Wheel	5.871	7.	RING - Wheel trim	5.871
4.	NUT - Oxidised 1/2" high	5.813	8.	CAP - Wheel hub	5.858

HOLDEN "LH" PARTS CATALOGUE

GROUP	DESCRIPTION	MODEL	SIDE	PART No.	QTY.
5.382 ARM and COMPONENTS — Rear axle suspension					
	ARM ASSY. - Upper	ALL		(²⁵ 2816109	2
	BUSHING - Upper arm, front	ALL		(²⁶ 2807098	2
	BUSHING - Upper arm, front	ALL		(²⁷ 2805716	2
	BUSHING - Upper arm, rear	ALL		2807098	2
	BRACKET - Upper arm, front	ALL	LH	2823879	1
			RH	2823878	1
	BRACKET ASSY. - Upper arm, rear	ALL	LH	2806019	1
			RH	2806018	1
	ARM ASSY. - Lower	4 Cyl. Eng.		9934243	2
	BRACKET - Lower arm front mounting	ALL	LH	2823241	1
			RH	2823240	1
	ARM ASSY. - Lower	6, 8 Cyl. Eng.		2823539	2
	BUSHING ASSY. - Lower arm	4 Cyl. Eng.		2805716	4
	BUSHING ASSY. - Lower arm	6, 8 Cyl. Eng.		2807098	4
	BRACKET ASSY. - Lower arm, rear	ALL	LH	2806047	1
			RH	2806046	1
	BOLT - ½" - 13 UNC x 3.63"	ALL		SP2452	8
	NUT - Hex. self locking ½" - 13	ALL		9422301	8
5.386 REAR AXLE					
CURRENT PRODUCTION REAR AXLE ASSEMBLIES WILL BE SUPPLIED ON A FIRM ORDER BASIS.					
5.387 HOUSING — Rear axle					
	HOUSING ASSY. - 2.78:1, 3.08:1 A.R.	6 Cyl. Eng.		2819067	1
	HOUSING ASSY. - 2.78:1, 3.08:1 A.R.	4.2 Litre Eng.		2819067	1
	HOUSING ASSY. - 3.36:1, 3.55:1 A.R.	6 Cyl. Eng.		2819068	1
	HOUSING ASSY. - 3.36:1, 3.55:1, 3.90:1 A.R.	4 Cyl. Eng.		2819068	1
	HOUSING ASSY. - 2.78:1, 3.08:1 A.R.	5 Litre Eng. exc. L34 Eng.		2825743	1
	HOUSING ASSY.	L34 Eng.		9935109	1
	BREATHER ASSY.	ALL		7415204	1
	BOLT	ALL		348402	6-7
	WASHER - Special	ALL		7418548	6-7
	NUT - Hex. 3" - 24, 3.36:1, 3.55:1, 3.90:1 A.R.	ALL		SP1708	1
5.395 BUMPER, BRACKET — Pinion nose					
	BUMPER ASSY.	4 Cyl. Eng.		9932549	1
	BUMPER ASSY.	5 Litre Eng.		9932549	1
	BRACKET - Bumper	4 Cyl. Eng.		9932153	1
	BRACKET - Bumper	5 Litre Eng.		9932153	1
	BOLT - Hex. hd. ¾" - 18 x .875" bumper to underbody	4 Cyl. Eng.		SP2090	2
	BOLT - Hex. hd. ¾" - 18 x .875" bumper to underbody	5 Litre Eng.		SP2090	2
5.400 PLUG — Axle housing					
	PLUG - Filler	ALL		7400181	1
	GASKET - Filler plug	ALL		113897	1
	PLUG - Drain - Bolt hex. hd. ¾" - 24 x 3" 2.78:1, 3.08:1 A.R.	6, 8 Cyl. Eng.		181385	1
	PLUG - Drain - Bolt hex. hd. ¾" - 24 x ¾" 3.36:1, 3.55:1, 3.90:1 A.R.	ALL		106285	1
	GASKET - Drain plug	ALL		7400256	2
5.415 SHAFT — Rear stabiliser					
	SHAFT	VD		9933557	1
	SPACER	VD		9933558	2
	SHIM	VD		9933559	2
	SHAFT	4.2 Litre Eng.		9933557	1
	SPACER	4.2 Litre Eng.		9933558	2
	SHIM	4.2 Litre Eng.		9933559	2
Note: (²⁵ Includes bushing Part No. 2805716.					
(²⁶ Identified by three pimples on each end of bushing.					
When replacing both sides it is recommended that bushing Part No. 2805716 be fitted.					
(²⁷ Identified by one pimple on each end of bushing.					

HOLDEN "LH" PARTS CATALOGUE

GROUP	DESCRIPTION	MODEL	SIDE	PART No.	QTY.
5.420	SHAFT — Rear axle				
	SHAFT ASSY.	Exc. 5 Litre Eng.		2823457	2
	SHAFT ASSY.	5 Litre exc. L34 Eng.		9935185	2
	SHAFT ASSY.	L34 Eng.		9935184	2
5.441	SHAFT — Propeller				
	SHAFT - With joints (Gold)	4 Cyl. Eng.		(²² 9929546	1
	SHAFT - With joints	4 Cyl. Eng.		(²⁸ 9929545	1
	SHAFT - With joints (Black)	(M) 3 speed trans. 6 Cyl. Eng.			
		RIGHT HAND DRIVE		2824233	1
	SHAFT - With joints (Orange)	(M) 3 speed trans. 6 Cyl. Eng.			
		LEFT HAND DRIVE		2825446	1
	SHAFT - With joints (Black)	(M) 4 speed trans. 6 Cyl. Eng.		2824233	1
	SHAFT - With joints (Black)	(A) 6 Cyl. Eng.		2824233	1
	SHAFT - With joints (Light Green)	4.2 Litre Eng.		9929139	1
	SHAFT - With joints (Rust Brown)	5 Litre Eng.		9929140	1
5.447	BEARING — Pinion front				
	CUP	ALL	7421670	7421671	1
	CONE	ALL		7421672	1
5.453	SPACER — Pinion bearing				
	SPACER	ALL	92020482	7421664	1
5.460	SHIM — Pinion bearing				
	PRE-LOAD	ALL		7425653	A.R.
	LOCATING - .005"	ALL		7408094	A.R.
	LOCATING - .006"	ALL		7408095	A.R.
	LOCATING - .007"	ALL		7408096	A.R.
	LOCATING - .008"	ALL		7408097	A.R.
	LOCATING - .009"	ALL		7408098	A.R.
	LOCATING - .010"	ALL		7408099	A.R.
	LOCATING - .015"	ALL		7408100	A.R.
5.469	SEAL — Rear axle pinion oil				
	SEAL	ALL	92008939	9938898	1
5.484	BEARING — Pinion rear				
	CUP	ALL	7421644	7421645	1
	CONE	ALL		7421646	1
5.504	DIFFERENTIAL and CARRIER				
	DIFFERENTIAL & CARRIER ASSY. - 2.78:1 A.R. ..	5 Litre Eng.		9935137	1
	DIFFERENTIAL & CARRIER ASSY. - 2.78:1 A.R. ..	Reg. Diff. 6 Cyl. Eng.		2810715	1
	DIFFERENTIAL & CARRIER ASSY. - 2.78:1 A.R. ..	Limited Slip Diff. 6 Cyl. Eng.		2810716	1
	DIFFERENTIAL & CARRIER ASSY. - 2.78:1 A.R. ..	Reg. Diff. 4.2 Litre Eng.		7439867	1
	DIFFERENTIAL & CARRIER ASSY. - 2.78:1 A.R. ..	Limited Slip Diff. 4.2 Litre Eng.		7435380	1
	DIFFERENTIAL & CARRIER ASSY. - 3.08:1 A.R. ..	Reg. Diff. 6 Cyl. Eng.		2809015	1
	DIFFERENTIAL & CARRIER ASSY. - 3.08:1 A.R. ..	Limited Slip Diff. 6 Cyl. Eng.		2809014	1
	DIFFERENTIAL & CARRIER ASSY. - 3.08:1 A.R. ..	Reg. Diff. 4.2 Litre Eng.		7437615	1
	DIFFERENTIAL & CARRIER ASSY. - 3.08:1 A.R. ..	Limited Diff. 4.2 Litre Eng.		7437616	1
	DIFFERENTIAL & CARRIER ASSY. - 3.08:1 A.R. ..	5 Litre Eng.		9935138	1
	DIFFERENTIAL & CARRIER ASSY. - 3.36:1 A.R. ..	Reg. Diff. 6 Cyl. Eng.		7421719	1
	DIFFERENTIAL & CARRIER ASSY. - 3.36:1 A.R. ..	Limited Slip Diff. 6 Cyl. Eng.		7430869	1
	DIFFERENTIAL & CARRIER ASSY. - 3.55:1 A.R. ..	Reg. Diff. 4 Cyl. Eng.		7421475	1
	DIFFERENTIAL & CARRIER ASSY. - 3.55:1 A.R. ..	Limited Slip Diff. 4 Cyl. Eng.		7430870	1
	DIFFERENTIAL & CARRIER ASSY. - 3.90:1 A.R. ..	Reg. Diff. 4 Cyl. Eng.		7425931	1
	DIFFERENTIAL & CARRIER ASSY. - 3.90:1 A.R. ..	Limited Slip Diff. 4 Cyl. Eng.		7430871	1

Note: (²² Use with 1st type transmission.
(²⁸ Use with 2nd type transmission.

HOLDEN "LH" PARTS CATALOGUE

GROUP	DESCRIPTION	MODEL	SIDE	PART No.	QTY.
5.505	CARRIER and CAP — Differential				
	CARRIER & CAP ASSY. — 2.78:1, 3.08:1 A.R.	6, 8 Cyl. Eng.		7435382	1
	CARRIER & CAP ASSY. — 3.36:1, 3.55:1, 3.90:1 A.R.	4, 6 Cyl. Eng.		7421813	1
5.506	BOLT — Differential carrier				
	BOLT — Cap to carrier — 3/8"	ALL		7421647	2
	BOLT — Cap to carrier — 1/8"	ALL		7421673	2
5.508	GASKET — Axle housing to differential carrier				
	GASKET	ALL		7435153	1
5.510	CASE — Differential				
	CASE — 2.78:1, 3.08:1 A.R.	Reg. Diff. 6, 8 Cyl. Eng.		7435546	1
	CASE — Complete with internal components 2.78:1, 3.08:1 A.R.	Limited Slip Diff. 6 Cyl. Eng.		2808124	1
	CASE — Complete with internal components 2.78:1, 3.08:1 A.R.	Limited Slip Diff. 4.2 Litre Eng.		2808124	1
	CASE — Complete with internal components 2.78:1, 3.08:1 A.R.	Limited Slip Diff. 5 Litre Eng.	<i>NA</i>	9935187	1
	CASE — 2.78:1, 3.08:1 A.R.	Limited Slip Diff. 6 Cyl. Eng.		VS10886	1
	CASE — 2.78:1, 3.08:1 A.R.	Limited Slip Diff. 4.2 Litre Eng.		VS10886	1
	CASE — 2.78:1, 3.08:1 A.R.	Limited Slip Diff. 5 Litre Eng.		VS12604	1
	CASE — 3.36:1, 3.55:1, 3.90:1 A.R.	Reg. Diff. 4, 6 Cyl. Eng.		7438144	1
	CASE — Complete with side bearings & internal components 3.36:1, 3.55:1, 3.90:1 A.R.	Limited Slip Diff. 4, 6 Cyl. Eng.		7432638	1
	CASE — 3.36:1, 3.55:1, 3.90:1 A.R.	Limited Slip Diff. 4, 6 Cyl. Eng.		VS10392	1
5.511	SPRING, PLATE — Differential				
	SPRING — Pre-load	Limited Slip Diff.		VS10371	4
	PLATE — Pre-load spring	Limited Slip Diff.		VS10373	2
5.517	SHAFT — Differential pinion				
	SHAFT	Reg. Diff.		7411921	1
	SHAFT	Limited Slip Diff.		VS10369	1
5.518	PIN — Differential pinion shaft lock				
	PIN — Spring 1/4" x 1 1/8"	Reg. Diff.		453670	1
	PIN	Limited Slip Diff.		VS10372	1
5.527	GEAR SET — Differential				
	GEAR SET — 2 side gears, 2 pinions	Reg. Diff.		7438035	1
	GEAR SET — 2 side gears, 2 pinions	Limited Slip Diff. exc. 5 Litre Eng.		VS10393	1
	GEAR SET — 2 side gears, 2 pinions	Limited Slip Diff. 5 Litre Eng.		VS12598	1
5.529	RING GEAR and PINION				
	RING GEAR & PINION ASSY. — 2.78:1 A.R.	6, 8 Cyl. Eng.		7435270	1
	RING GEAR & PINION ASSY. — 3.08:1 A.R.	6, 8 Cyl. Eng.		7437392	1
	RING GEAR & PINION ASSY. — 3.36:1 A.R.	6, 8 Cyl. Eng.		7438806	1
	RING GEAR & PINION ASSY. — 3.55:1 A.R.	4 Cyl. Eng.		7423279	1
	RING GEAR & PINION ASSY. — 3.90:1 A.R.	4 Cyl. Eng.		7436736	1
5.531	BOLT — Ring gear				
	BOLT	ALL		7421634	8
5.536	BEARING — Differential side				
	CUP	ALL		7421642	2
	CONE	ALL		7421643	2

*3: 28/11 S7
2: 28/11 SP*

7421641 x2

HOLDEN "LH" PARTS CATALOGUE

GROUP	DESCRIPTION	MODEL	SIDE	PART No.	QTY.
5.537	NUT — Differential side bearing NUT - Adjusting	ALL		7421650	2
5.539	LOCK — Differential side bearing adjusting nut LOCK	ALL		7407400	2
5.542	WASHER — Differential pinion thrust WASHER	Reg. Diff.		7400280	2
	WASHER	Limited Slip Diff.		VS10370	2
5.543	WASHER, SHIM — Differential side gear thrust WASHER	Reg. Diff.		7400279	2
	SHIM - .005"	Limited Slip Diff.		VS10374	A.R.
	SHIM - .010"	Limited Slip Diff.		VS10375	A.R.
5.545	SLINGER, FLANGE, NUT — Differential pinion SLINGER	ALL		7421668	1
	FLANGE	4, 6 Cyl. Eng.	<i>n/a 92015319</i>	(7422731)	1
	FLANGE	8 Cyl. Eng.	<i>92015329</i>	(7435383)	1
	NUT	ALL		SP1665	1
	WASHER - Flange nut	ALL		7421649	1
5.546	PLATE — Differential pinion flange PLATE - Lock	ALL		7422733	2
5.548	REPAIR KIT — Universal joint REPAIR KIT	Exc. 5 Litre Eng.	<i>M1773</i>	VS10604	2
	REPAIR KIT	5 Litre Eng.		VS10606	2
5.555	YOKE — Universal joint YOKE ASSY. - Front sleeve	Exc. 5 Litre Eng.		7427962	1
	YOKE ASSY. - Front sleeve	5 Litre Eng.		VS10608	1
5.586	"U" BOLT, RING — Universal joint "U" BOLT - Rear	4, 6 Cyl. Eng.	<i>127508</i>	7422734	2
	"U" BOLT - Rear	8 Cyl. Eng.		7435386	2
	RING	ALL		7400393	6
5.803	WHEEL — Road WHEEL ASSY. - 4.50 x 13	Exc. VD		(1) 2813814	5
	WHEEL ASSY. - 5.50 x 13	Exc. L34 Eng.		(1) 2813815	5
	WHEEL ASSY. - 6.00 x 13 sports	Exc. L34 Eng.		(1) 9929130	5
	WHEEL ASSY. - 6.00 x 14	L34 Eng.		(1) 9935245	5
5.804	SPACER — Wheel SPACER	VD exc. L34 Eng.		2807154	A.R.
5.809	DRUM — Brake DRUM ASSY. - Front	Drum Brakes	<i>n/a</i>	9933058	2
	DRUM ASSY. - Rear	Exc. L34 Eng.		7424784	2
	DRUM ASSY. - Rear	L34 Eng.		2813229	2
5.812	BOLT — Wheel hub FRONT & REAR	ALL		9934167	20
5.813	NUT — Wheel hub bolt NUT - Oxidised 1/2" high	Exc. VD		2808656	20
	NUT - Chrome plated 1" high	ALL		2825904	20

Note: (1) Wheel & tyre equipment must not be down graded without ensuring that performance requirements are maintained.

HOLDEN "LH" PARTS CATALOGUE

HOLDEN "LH" PARTS CATALOGUE

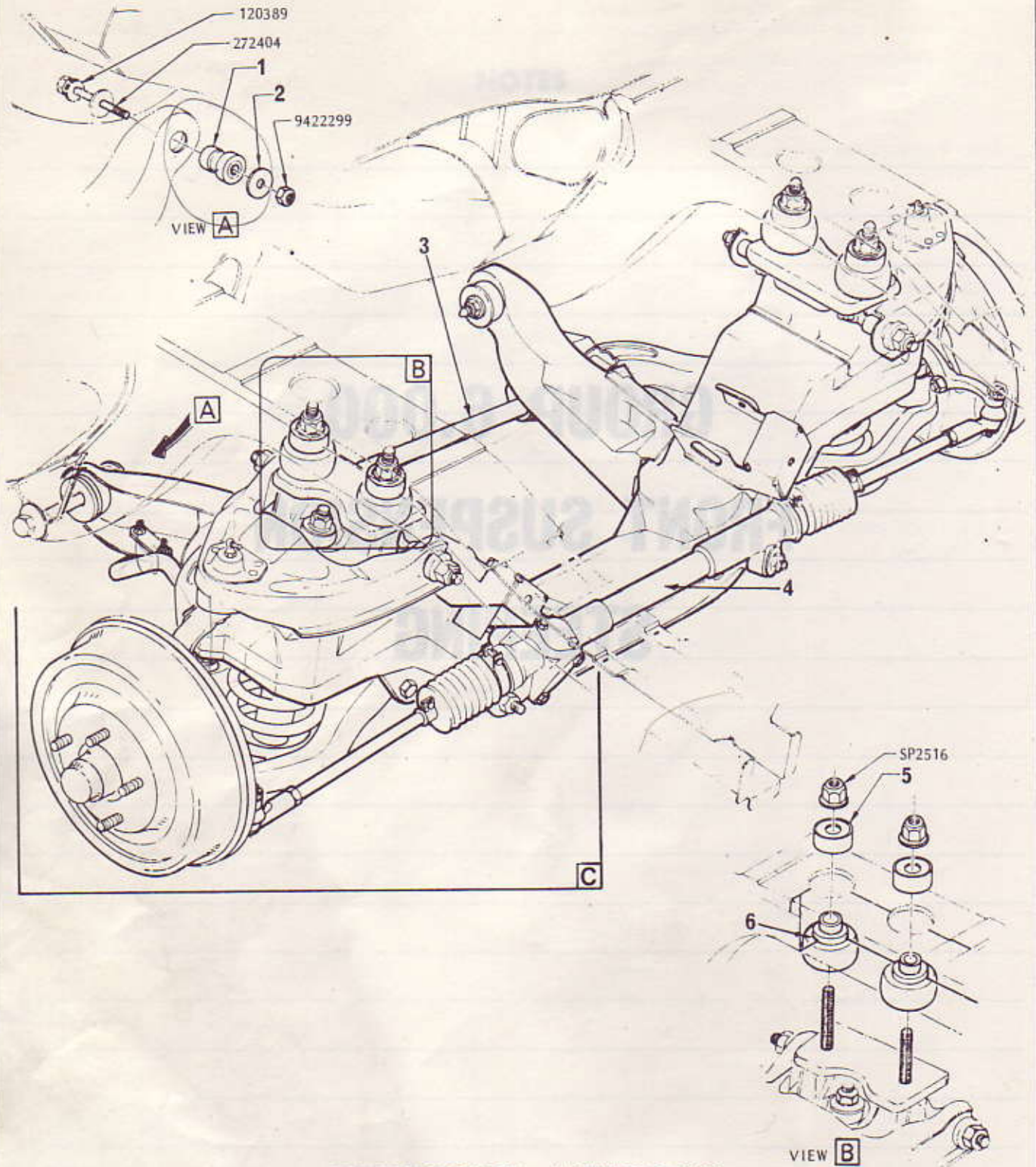
GROUP	DESCRIPTION	MODEL	SIDE	PART No.	QTY.
5.816	RETAINER, RING — Rear axle bearing				
	RETAINER	ALL		2812102	2
	RING	ALL		2812104	2
5.822	SEAL — Rear axle bearing oil				
	SEAL	ALL		2812103	2
5.855	BEARING — Rear axle				
	BEARING PACKAGE	ALL		9942775 (2823082)	2
5.858	CAP, COVER — Wheel hub				
	CAP	Exc. Sports Wheel, Centre Trim		2825824	4
	COVER - Front wheel bearing	ALL		7413400	2
5.871	RING, COVER, TRIM — Wheel				
	RING	13" Wheel		2810975	4
	COVER ASSY. - (Imitation Turbine)	13" Wheel		9933177	4
	TRIM ASSY. - (Imitation Mag Wheel)	5.50 x 13, 6.00 x 13 Wheels		9932989	4
	TRIM & INSERT - Wheel centre	L34 Eng.		9934625	5
	TRIM - Wheel centre	L34 Eng.		9933041	5
5.875	EXTENSION — Tyre valve				
	EXTENSION	Exc. L34 Eng.		9417730	5

FRONT SUSPENSION
STEERING

NOTES

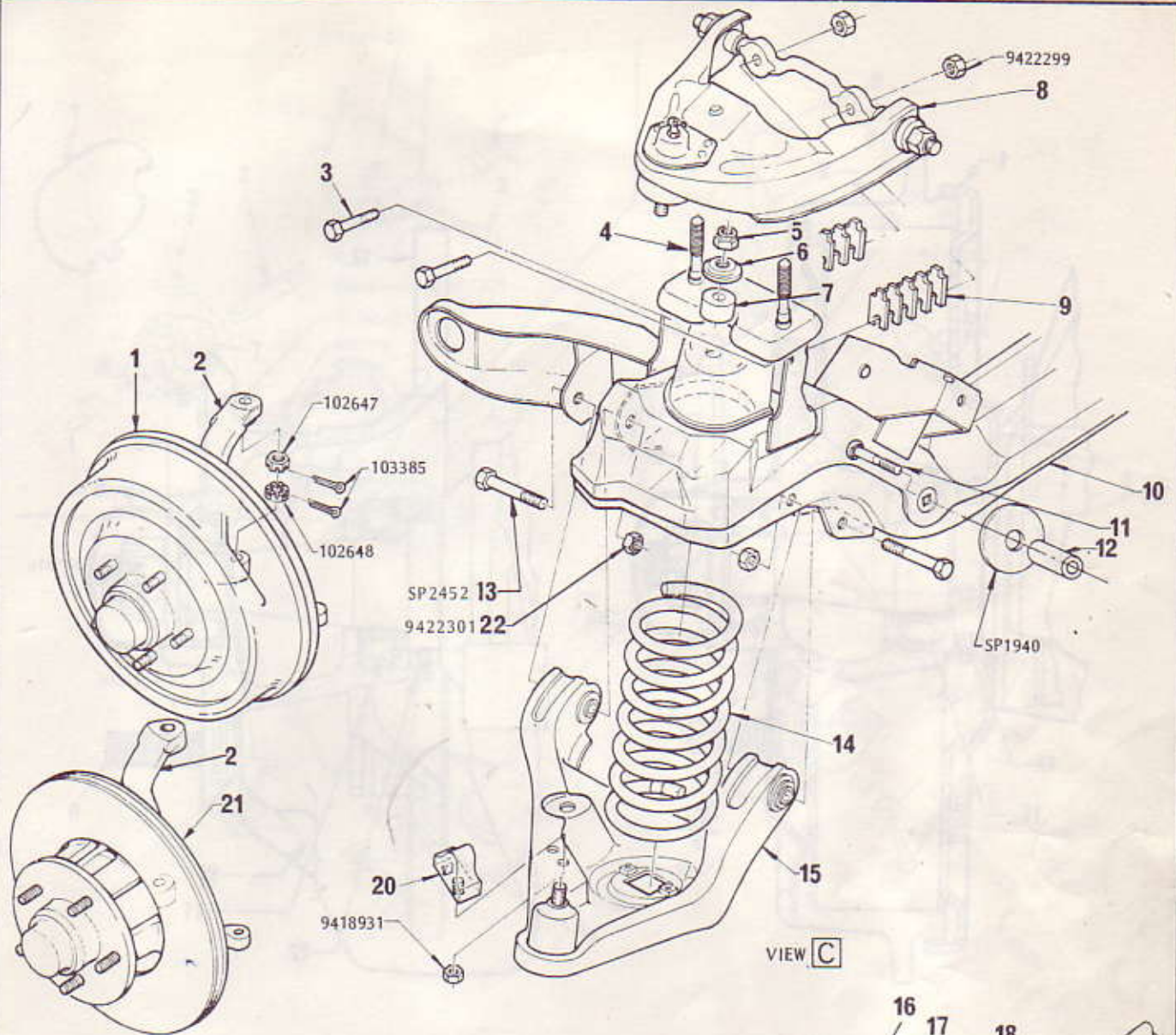


GROUP 6.000
FRONT SUSPENSION
STEERING



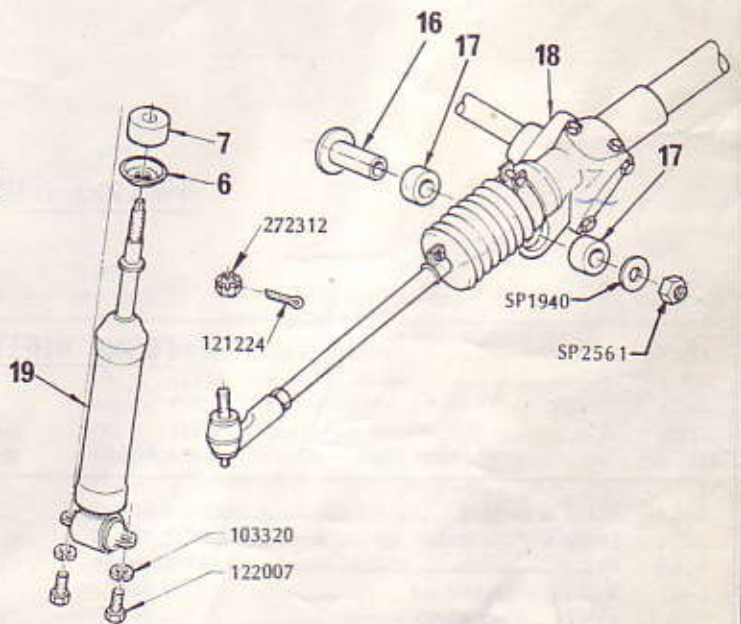
FRONT SUSPENSION and STEERING GEAR

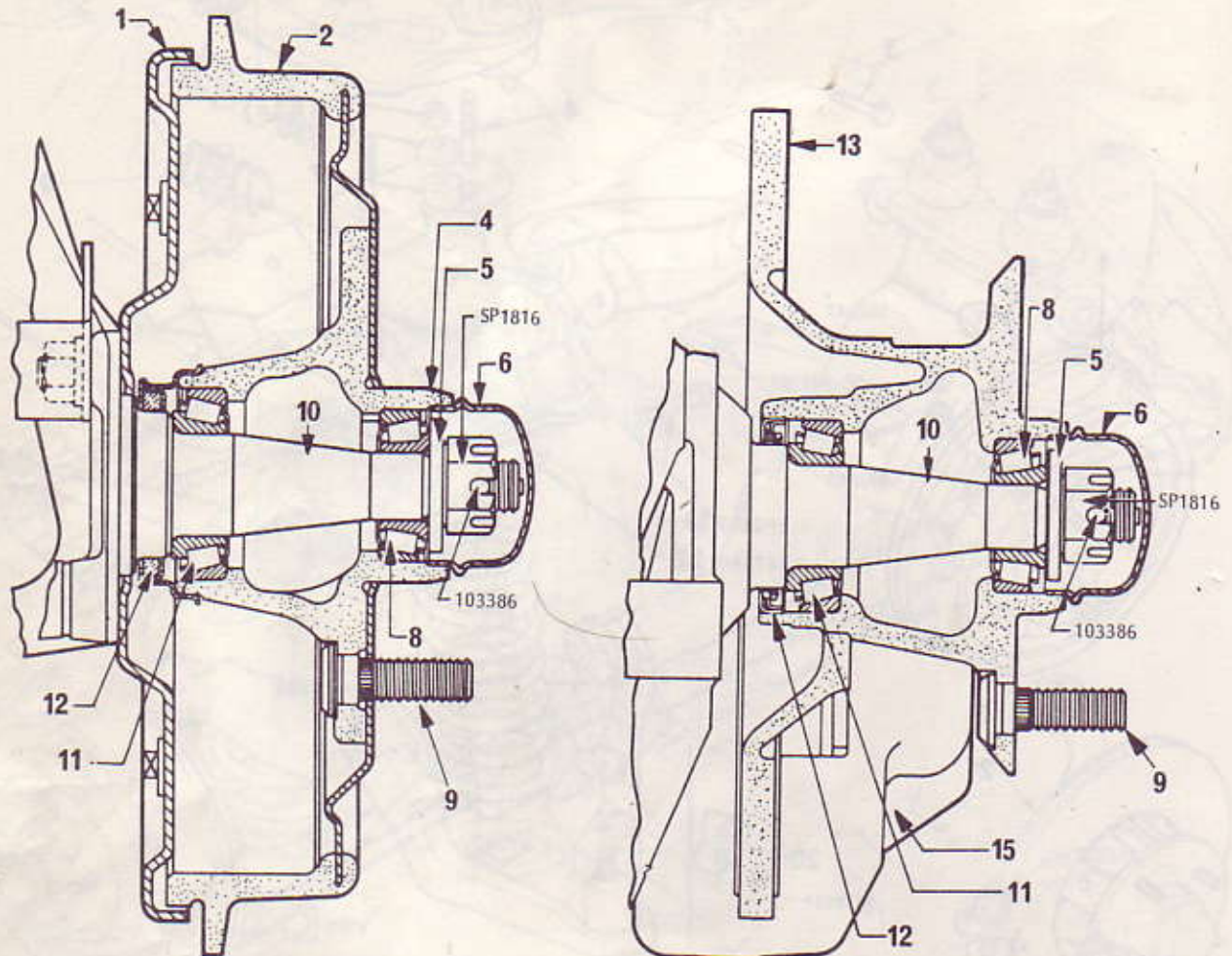
ILLUS. REF. NO.	PART NAME	GROUP	ILLUS. REF. NO.	PART NAME	GROUP
1.	BUSHING – To side member	6.008	4.	GEAR ASSY. – Steering	6.508
2.	WASHER – To side member	6.008	5.	MOUNT & WASHER ASSY.	6.008
3.	SHAFT – Front stabiliser	7.241	6.	MOUNT ASSY.	6.008



FRONT SUSPENSION and STEERING GEAR

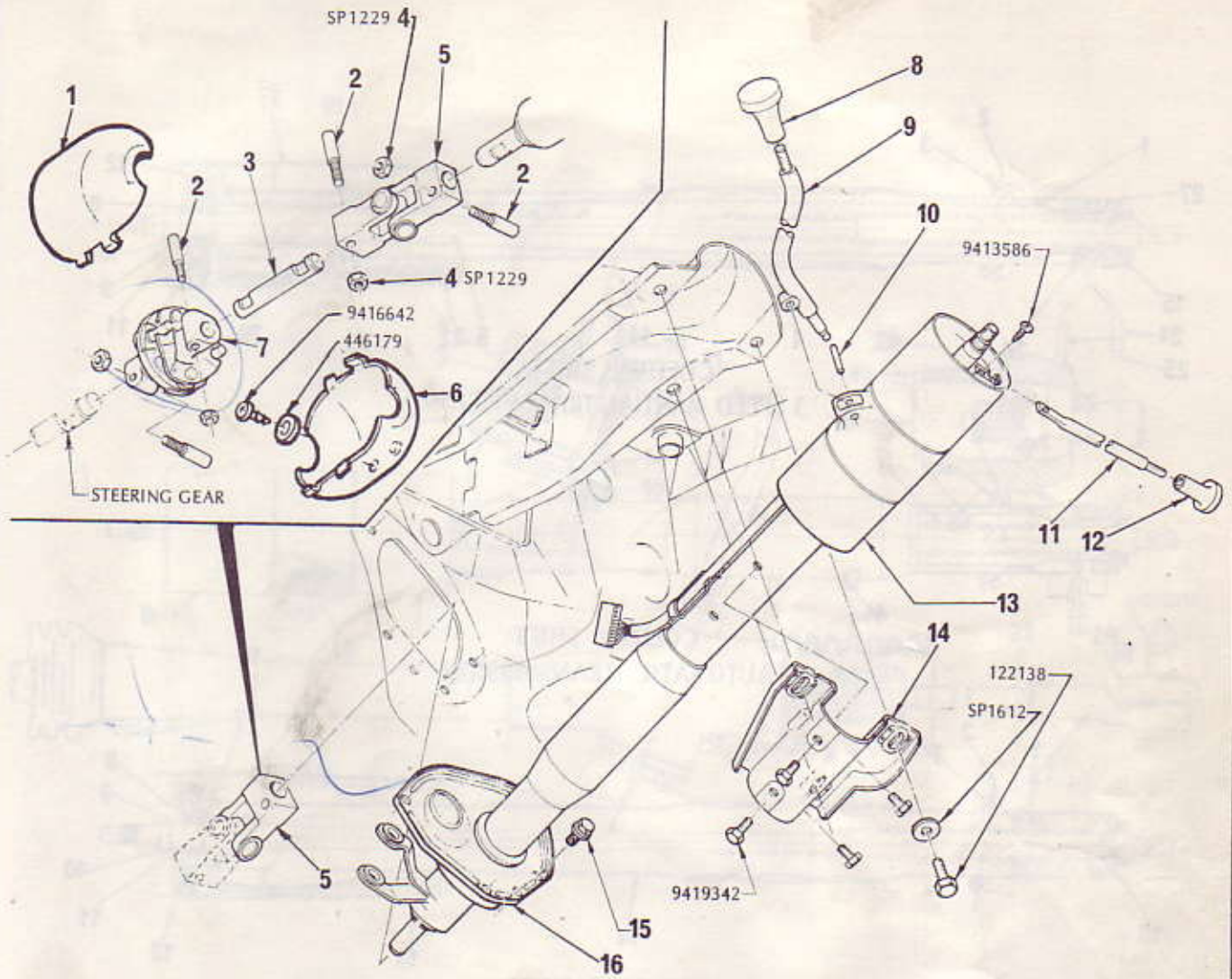
ILLUS. REF. NO.	PART NAME	GROUP
1.	DRUM ASSY. - Front	5.809
2.	KNUCKLE - Steering	6.020
3.	BOLT - Arm & ball joint to cross member ...	6.168
4.	BOLT - Front suspension to frame	6.008
5.	NUT - Shock absorber	7.370
6.	PLATE - Shock absorber	7.370
7.	BUSHING - Shock absorber	7.370
8.	ARM & BALL JOINT ASSY. - Upper control ..	6.168
9.	SHIM - Upper control shaft	6.163
10.	MEMBER ASSY.	6.008
11.	BOLT - Rd. hd.sq. neck 1/2" - 13 x 2.75" ..	6.509
12.	SPACER - Straight	6.509
13.	BOLT - Lower control arm to cross member ..	6.008
14.	SPRING - Front	6.361
15.	ARM & BALL JOINT ASSY. - Lower control ..	6.168
16.	SPACER - Flanged	6.509
17.	INSULATOR	6.509
18.	GEAR ASSY. - Steering	6.508
19.	SHOCK ABSORBER ASSY.	7.345
20.	BUMPER - Lower	6.176
21.	HUB & DISC ASSY.	6.307
22.	NUT - Lower control arm to cross member ..	6.008





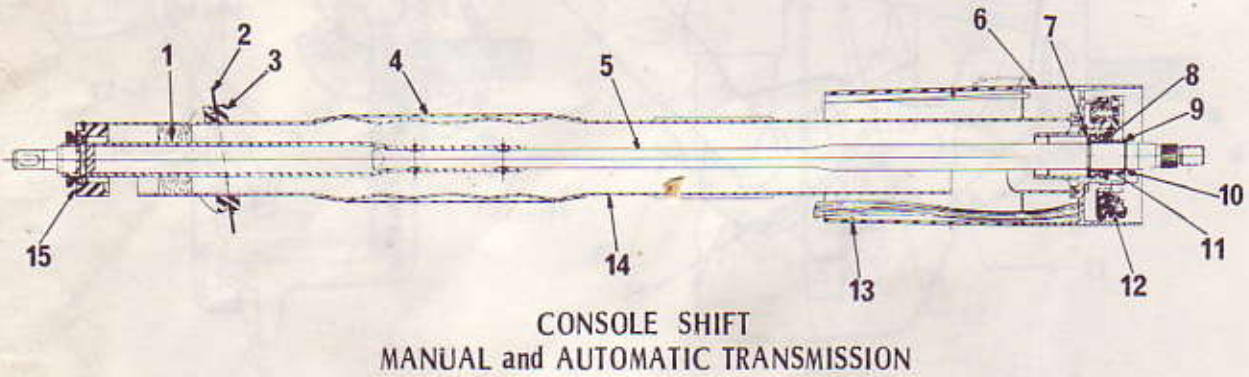
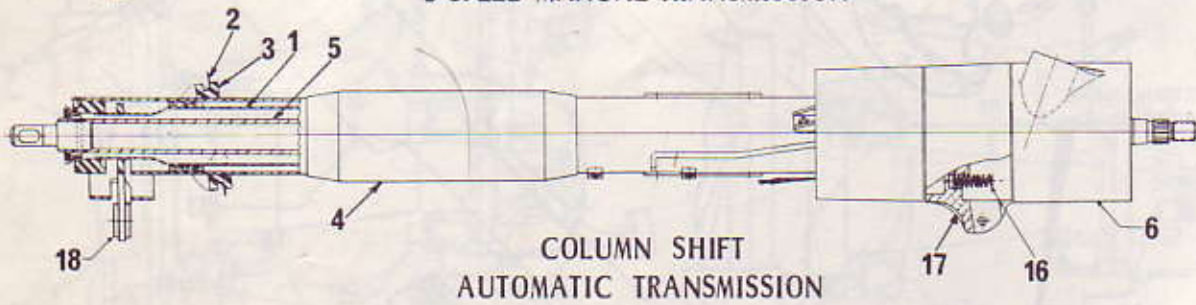
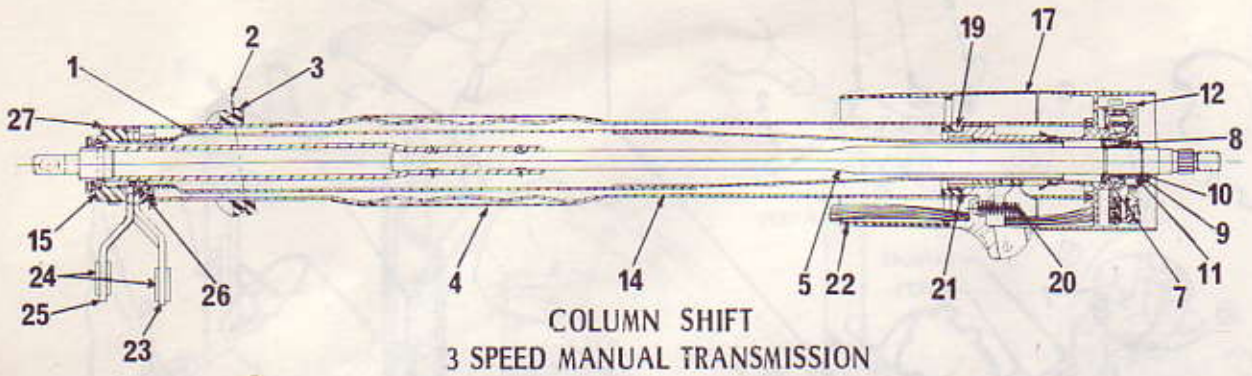
FRONT WHEEL HUB

ILLUS. REF. NO.	PART NAME	GROUP	ILLUS. REF. NO.	PART NAME	GROUP
1.	PLATE - Backing	5.001	9.	BOLT - Wheel hub	5.812
2.	DRUM ASSY. - Brake	5.809	10.	KNUCKLE - Steering	6.020
4.	HUB	6.307	11.	BEARING ASSY. - Front wheel, inner	6.311
5.	WASHER - Spindle nut	6.321	12.	SEAL - Front wheel bearing	6.326
6.	COVER - Front wheel bearing	5.858	13.	HUB & DISC ASSY.	6.307
8.	BEARING ASSY. - Front wheel, outer	6.313	15.	CALIPER ASSY.	5.010



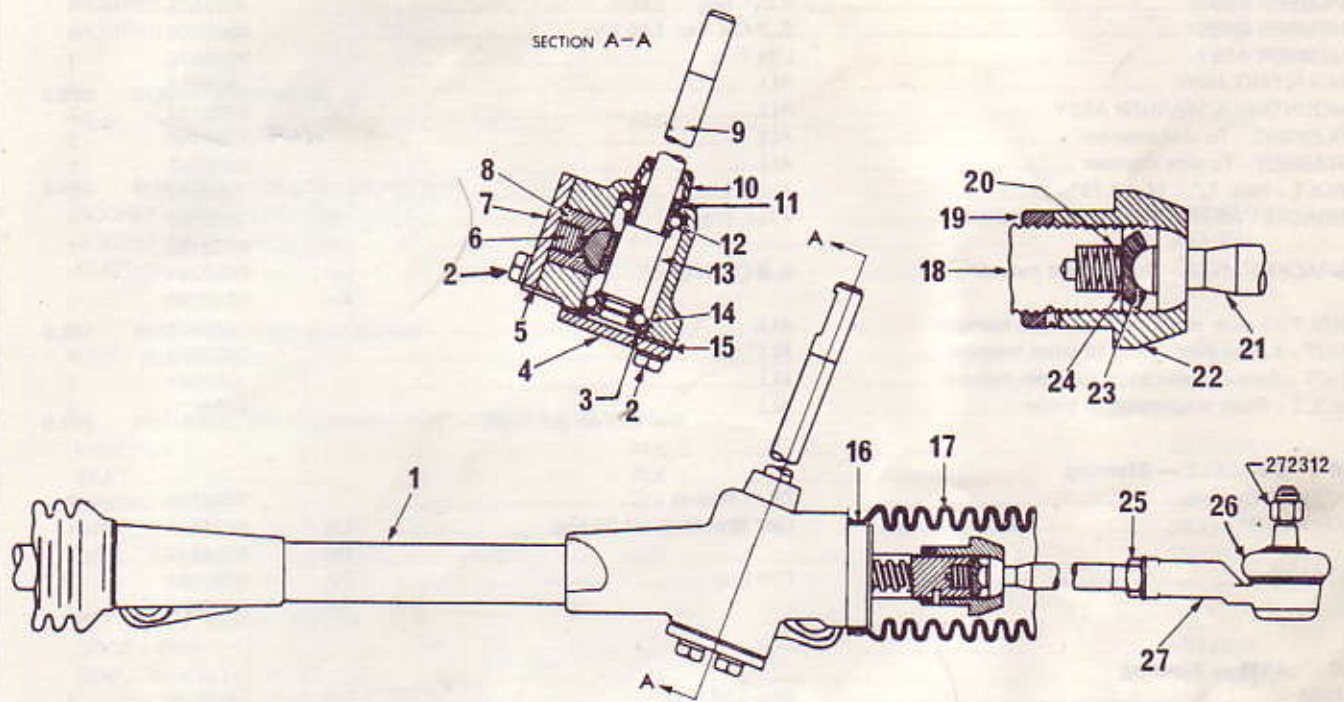
STEERING COLUMN

ILLUS. REF. NO.	PART NAME	GROUP	ILLUS. REF. NO.	PART NAME	GROUP
1.	SHIELD - Upper	6.524	8.	KNOB - Gear shift lever	4.009
2.	PIN - Cotter	6.524	9.	LEVER - Gearshift control	4.006
3.	SHAFT - Intermediate	6.524	10.	PIN - Gear shift lever	4.007
4.	NUT - Hex, 1/4" - 28 self locking	6.524	11.	LEVER - Turn signal lamp switch	2.897
5.	COUPLING ASSY. - Steering shaft to inter. shaft	6.524	12.	KNOB - Turn signal lamp switch lever	2.897
6.	SHIELD - Lower	6.524	13.	COLUMN ASSY. - Steering	6.508
7.	COUPLING ASSY. - Inter. shaft to steering gear	6.524	14.	BRACKET & CAPSULE ASSY.	6.760
			15.	SCREW - Column to floor	6.508
			16.	COVER - Column to floor	6.758



STEERING COLUMN

ILLUS. REF. NO.	PART NAME	GROUP	ILLUS. REF. NO.	PART NAME	GROUP
1.	INSULATOR - Steering column	6.758	15.	ADAPTOR & BEARING ASSY. - Shaft lower	6.524
2.	COVER - Column to floor	6.758	16.	SPRING - Lever anti-rattle	4.017
3.	INSULATOR - Column to floor	6.758	17.	SUPPORT - Transmission control lever	4.018
4.	COVER - Steering column jacket	6.518	18.	INSULATOR	4.040
5.	SHAFT ASSEMBLY - Steering	6.524	19.	SPACER - Support	4.018
6.	HOUSING - Steering column	6.518	20.	SPRING - Selector return	4.017
7.	RETAINER - Steering shaft upper	6.521	21.	WASHER - Support	4.018
8.	WASHER - Spring	6.521	22.	COVER - Steering column, lower	6.518
9.	WASHER - .75" x 1.00" x .0478" spring	6.521	23.	LEVER ASSY. - Lower	4.019
10.	RING - Steering shaft upper	6.521	24.	INSULATOR - Trunnion	4.019/4.020
11.	SPRING - Steering shaft upper	6.521	25.	LEVER - Lower	4.020
12.	SWITCH ASSY. - Turn signal lamp	2.895	26.	RETAINER - Lower lever	4.019
13.	COVER - Gearshift column, upper	6.518	27.	CLIP - Adaptor	6.524
14.	JACKET ASSY. - Steering column	6.518			



STEERING GEAR ASSEMBLY

ILLUS. REF. NO.	PART NAME	GROUP	ILLUS. REF. NO.	PART NAME	GROUP
1.	HOUSING ASSY. — Rack & pinion	6.803	15.	SHIM — Pinion cover plate	6.809
2.	BOLT — 5/16" — 18 x 7/8"	6.807	16.	CLIP — Boot	6.255
3.	SPACER — Pinion, lower	6.524	17.	BOOT	6.255
4.	PLATE — Pinion cover	6.807	18.	RACK	6.525
5.	SHIM — Cover plate	6.809	19.	NUT	6.235
6.	SPRING — Cover plate	6.807	20.	SPRING	6.235
7.	PLATE — Yoke support cover	6.807	21.	ROD ASSEMBLY — Tie	6.230
8.	YOKE — Rack support	6.525	22.	HOUSING — Tie rod ball	6.235
9.	PINION	6.524	23.	SEAT	6.235
10.	SEAL — Pinion dust	6.809	24.	DISC — Backing	6.235
11.	SEAL — Pinion oil	6.809	25.	NUT — Lock	6.234
12.	BEARING ASSEMBLY	6.530	26.	BOOT	6.233
13.	SPACER — Pinion upper	6.524	27.	SOCKET ASSEMBLY	6.233
14.	BEARING ASSEMBLY	6.530			

HOLDEN "LH" PARTS CATALOGUE

GROUP	DESCRIPTION	MODEL	SIDE	PART No.	QTY.
6.007	FRONT SUSPENSION ASSEMBLY				
	CURRENT PRODUCTION FRONT SUSPENSION ASSEMBLIES WILL BE SUPPLIED ON A FIRM ORDER BASIS.				
6.008	MEMBER, MOUNTING, BRACKET — Front suspension				
MEMBER ASSY.	4 Cyl. Eng.			9928506	1
MEMBER ASSY.	6, 8 Cyl. exc. L34 Eng.			2823939	1
MEMBER ASSY.	L34 Eng.			9936875	1
MOUNTING ASSY.	ALL			2808856	4
MOUNTING & WASHER ASSY.	ALL			9932122	4
BUSHING - To side member	ALL			721458	2
WASHER - To side member	ALL			7205937	2
BOLT - Hex. 7/16" - 14 x 4.75"	ALL			SP2589	2
BRACKET ASSY. - Power plant mounting	4 Cyl. Eng.		LH	9933101	1
			RH	9933100	1
BRACKET ASSY. - Power plant mounting	6, 8 Cyl Eng.		LH	9932291	1
			RH	9932290	1
BOLT - Lower control arm to cross member	ALL			SP2452	4
NUT - Lower control arm to cross member	ALL			9422301	4
NUT - Steering gear assy. to cross member	ALL			SP2561	2
BOLT - Front suspension to frame	ALL			9930779	4
6.020	KNUCKLE — Steering				
KNUCKLE	Drum Brakes			7448795	2
KNUCKLE	Disc Brakes exc. L34 Eng.		LH	9934548	1
			RH	9934547	1
KNUCKLE	L34 Eng.		LH	9932964	1
			RH	9932965	1
6.103	ARM — Steering				
ARM	Exc. L34 Eng.		LH	9928329	1
			RH	9928328	1
ARM	L34 Eng.		LH	9935249	1
			RH	9935250	1
BOLT - Steering arm to knuckle	Exc. L34 Eng.			7449627	2
NUT - Steering arm to knuckle	Exc. L34 Eng.			9422280	2
WASHER - Steering arm to knuckle	Exc. L34 Eng.			SP2496	2
6.163	SHIM — Upper control shaft				
SHIM - .030"	ALL			2812095	A.R.
SHIM - .059"	ALL			2812096	A.R.
SHIM - .120"	ALL			2812097	A.R.
6.164	SHAFT, BUSHING, RETAINER — Upper control arm				
SHAFT	ALL			2809219	2
BUSHING	ALL			2805510	4
RETAINER - Bushing	ALL			2805728	4
6.168	ARM, BALL JOINT — Control				
ARM & BALL JOINT ASSY. - Upper control	Exc. L34 Eng.			2824374	2
ARM & BALL JOINT ASSY. - Upper control	L34 Eng.		LH	9937177	1
			RH	9937176	1
BOLT - Arm & ball joint to cross member	ALL			381909	4
BALL JOINT KIT - Upper	ALL			9932810	2
SEAL & CLAMP KIT - Upper ball joint	6 Cyl. Eng.			5679626	2
CLAMP - Upper ball joint seal	6 Cyl. Eng.			5679627	2
ARM & BALL JOINT ASSY. - Lower control	ALL		LH	2824337	1
			RH	2824336	1
BALL JOINT ASSY. - Lower control	ALL			5693552	2
SEAL & CLAMP KIT - Lower ball joint	ALL			5679629	2
CLAMP - Lower ball joint seal	6 Cyl. Eng.			5679630	2

HOLDEN "LH" PARTS CATALOGUE

GROUP	DESCRIPTION	MODEL	SIDE	PART No.	QTY.
6.170	BUSHING — Lower control arm				
	BUSHING	ALL		2807098	4
6.176	BUMPER — Control arm				
	BUMPER - Upper	ALL		384220	2
	BUMPER - Lower	ALL		402410	2
6.230	ROD — Steering tie				
	ROD	ALL		VS12508	2
6.233	SOCKET — Steering tie rod ball				
	SOCKET ASSY. - Left end	ALL		9931635	1
	SOCKET ASSY. - Right end	ALL		9931634	1
	BOOT	ALL		2809115	2
6.234	NUT — Steering gear tie rod				
	NUT - Ball socket lock	ALL		VS11218	2
6.235	HOUSING, SEAT, SPRING, NUT — Steering tie rod ball				
	HOUSING	ALL		VS12438	2
	SEAT	ALL		VS12509	2
	SPRING	ALL		VS12510	2
	NUT	ALL		VS12427	2
	DISC - Backing	ALL		VS12511	2
6.255	BOOT, CLIP — Tie rod				
	BOOT - Rack	ALL		VS12436	2
	CLIP - Boot to tie rod	ALL		VS11205	2
6.307	HUB — Front wheel				
	HUB - Front	Drum Brakes		9937169	2
	HUB & DISC ASSY.	Disc Brakes exc. L34 Eng.		2823461	2
	HUB & DISC ASSY.	L34 Eng.		2824526	1
6.311	BEARING — Front wheel inner				
	BEARING ASSY.	ALL		7413406	2
6.313	BEARING — Front wheel outer				
	BEARING ASSY.	ALL		7413409	2
6.321	WASHER — Steering knuckle spindle nut				
	WASHER	ALL		7435914	2
6.326	SEAL — Front wheel bearing				
	SEAL ASSY.	Drum Brakes		2829925	2
	SEAL ASSY.	Disc. Brakes		9937294	2
6.361	SPRING — Front				
	SPRING - Regular, exc. air cond.	4 Cyl. Eng.		2825754	2
	SPRING - Regular, air cond.	4 Cyl. Eng.		9929187	2
	SPRING - Heavy duty, exc. air cond.	4 Cyl. Eng.		9931026	2
	SPRING - Heavy duty, air cond.	4 Cyl. Eng.		9931027	2
	SPRING - Regular, exc. air cond.	VB, VC with 6 Cyl. Eng.		2825754	2
	SPRING - Regular, air cond.	VB, VC with 6 Cyl. Eng.		9929187	2
	SPRING - Heavy duty, exc. air cond.	VB, VC with 6 Cyl. Eng.		9931026	2
	SPRING - Heavy duty, air cond.	VB, VC with 6 Cyl. Eng.		9931027	2
	SPRING - Regular, exc. air cond.	VD with 6 Cyl. Eng.		9931028	2
	SPRING - Regular, air cond.	VD with 6 Cyl. Eng.		9932967	2
	SPRING - Heavy duty, exc. air cond.	VD with 6 Cyl. Eng.		9931026	2
	SPRING - Heavy duty, air cond.	VD with 6 Cyl. Eng.		9931027	2

HOLDEN "LH" PARTS CATALOGUE

GROUP	DESCRIPTION	MODEL	SIDE	PART No.	QTY.
6.361	SPRING — Front (contd.)				
	SPRING - Regular, exc. air cond.	VB, VC with 8 Cyl. Eng.		9929187	2
	SPRING - Regular, air cond.	VB, VC with 8 Cyl. Eng.		9928481	2
	SPRING - Heavy duty	VB, VC with 8 Cyl. Eng.		9931027	2
	SPRING - Regular, exc. air cond.	VD with 8 Cyl. exc. L34 Eng.		9932967	2
	SPRING - Regular, air cond.	VD with 8 Cyl. exc. L34 Eng.		9931026	2
	SPRING - Heavy duty	VD with 8 Cyl. exc. L34 Eng.		9931027	2
	SPRING	L34 Eng.		9931027	2
6.364	INSULATOR — Front spring				
	INSULATOR	RIGHT HAND DRIVE		7401998	A.R.
	INSULATOR	LEFT HAND DRIVE	RH	7401998	A.R.
	INSULATOR	Exc. Air Cond. LEFT HAND DRIVE	LH	7418196	A.R.
	INSULATOR	Air Cond. LEFT HAND DRIVE	LH	7429151	A.R.
6.508	COLUMN, GEAR — Steering				
	COLUMN ASSY.	(M) 3 Speed trans. 6 Cyl. Eng. RIGHT HAND DRIVE		2824375	1
	COLUMN ASSY.	(M) 4 Speed trans. 4 Cyl. Eng. RIGHT HAND DRIVE		2824535	1
	COLUMN ASSY.	(M) 4 Speed trans. 6 Cyl. Eng. RIGHT HAND DRIVE		2824534	1
	COLUMN ASSY.	(M) 8 Cyl. Eng. RIGHT HAND DRIVE		2824535	1
	COLUMN ASSY.	(M) Steering column shift LEFT HAND DRIVE		9928994	1
	COLUMN ASSY.	(M) Console shift LEFT HAND DRIVE		9928954	1
	COLUMN ASSY.	(A) Steering column shift RIGHT HAND DRIVE		2824376	1
	COLUMN ASSY.	(A) Console shift RIGHT HAND DRIVE		2824535	1
	COLUMN ASSY.	(A) 6 Cyl. Eng. Steering column shift LEFT HAND DRIVE		9928995	1
	COLUMN ASSY.	(A) Console shift LEFT HAND DRIVE		9928954	1
	GEAR ASSY.	RIGHT HAND DRIVE		9932244	1
		LEFT HAND DRIVE		9932245	1
	SCREW - Column to floor	ALL		SP2212	3-4
6.509	BOLT, SPACER, INSULATOR — Steering gear to cross member				
	BOLT - Rd. hd. sq. neck 1/2" - 13 x 2.75"	ALL		SP2376	2
	SPACER - Straight	ALL		9933734	2
	SPACER - Flanged	ALL		2817345	2
	INSULATOR	ALL		2819595	4
6.513	WHEEL — Steering				
	WHEEL ASSY. - Black	UG, VB exc. G Pak		9930927BA	1
	WHEEL ASSY. - Dark Ash	UH, VC		9930927DD	1
	WHEEL ASSY. - Black	UH, VC		9930927BA	1
	WHEEL ASSY. - Chestnut	UH, VC		9930927DG	1
	WHEEL ASSY. - Dark Grey	UH, VC		9930927DS	1
	WHEEL ASSY. - Tan	UH, VC		9930927DX	1
	WHEEL ASSY. - Covert	UH, VC		9930927DY	1
	WHEEL ASSEMBLY	VD, G Pak		2817164	1
	NUT - 3/8" - 18 (stamped)	ALL		145496	1
6.518	HOUSING, JACKET, COVER — Steering column				
	HOUSING	(M)	RIGHT HAND DRIVE	N/LA 9945882 2813553	1
	HOUSING	(M)	LEFT HAND DRIVE	2824753	1
	HOUSING	(A) Steering column shift RIGHT HAND DRIVE		9928912	1
		LEFT HAND DRIVE		9930109	1
	HOUSING	(A) Console shift RIGHT HAND DRIVE		2813553	1
		LEFT HAND DRIVE		2824753	1
	CUP - Housing thrust	Steering Column shift		7804413	1

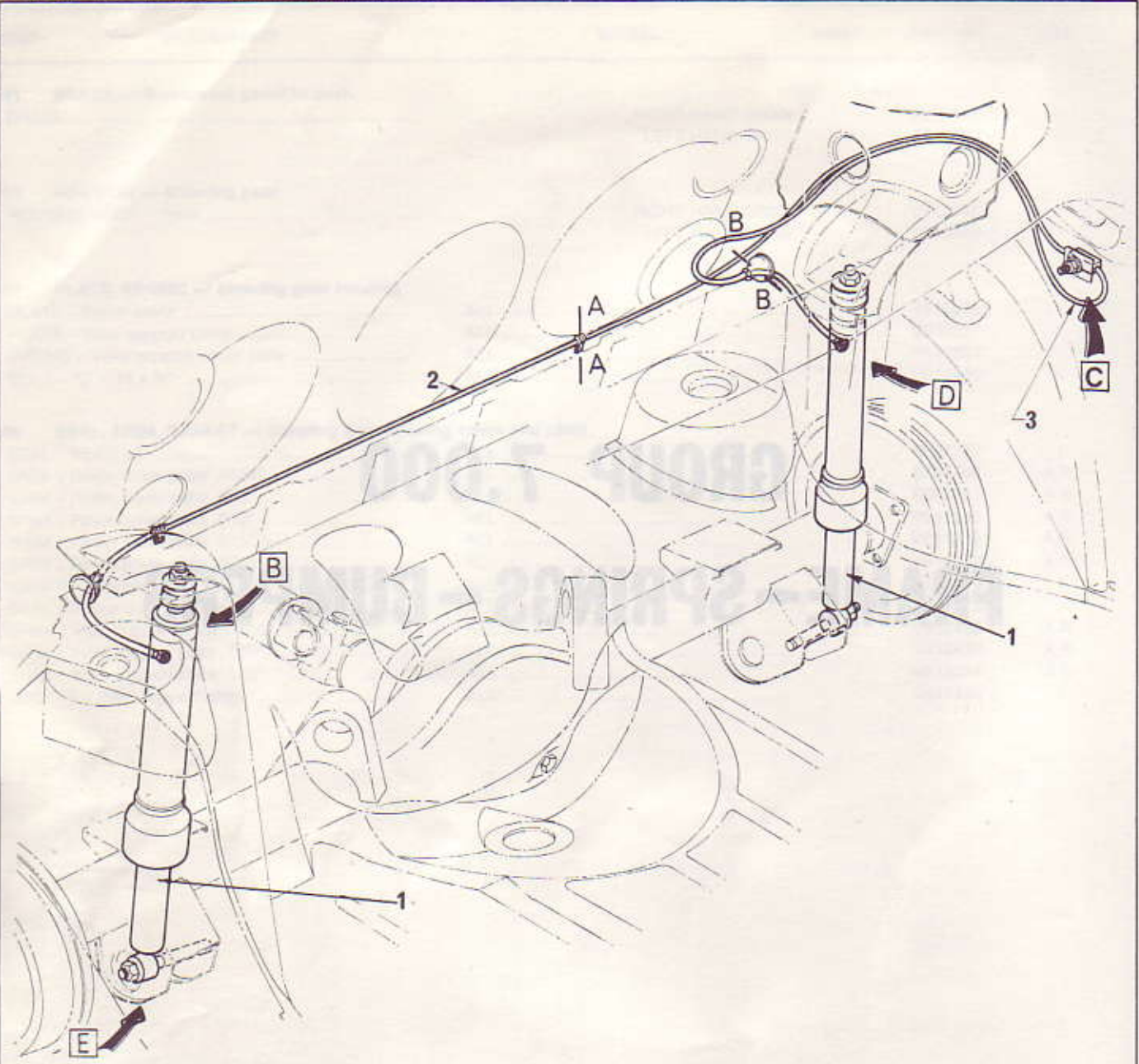
HOLDEN "LH" PARTS CATALOGUE

GROUP	DESCRIPTION	MODEL	SIDE	PART No.	QTY.
6.518	HOUSING, JACKET, COVER — Steering column (contd.)				
	JACKET ASSY.	Steering column shift			
		RIGHT HAND DRIVE		2825773	1
		LEFT HAND DRIVE		9928840	1
	JACKET ASSY.	Console shift	RIGHT HAND DRIVE	2825774	1
			LEFT HAND DRIVE	9928935	1
	COVER - Gearshift column, upper	Console Shift		2825780	1
	COVER - Steering column, lower	Steering Column Shift		2825779	1
	COVER - Steering column jacket	ALL		7433352	1
	STRAP - Jacket	(M)		9933751	1
	STRAP - Jacket	(A) Console Shift		9933751	1
6.521	BEARING — Steering shaft upper				
	BEARING ASSY.	ALL		7800269	1
	RETAINER	ALL		5694191	1
	RING	ALL		5699603	1
	SPRING	ALL		7804771	1
	WASHER - Spring	ALL		7800580	1
	WASHER - .75" x 1.00" x .0478" spring	ALL		SP2113	1
6.524	SHAFT, COUPLING, PINION — Steering				
	SHAFT ASSEMBLY	ALL		9937944	1
	COUPLING ASSY. - Steering shaft to intermediate shaft	ALL		9931776	1
	SHAFT - Intermediate	ALL		9932192	1
	COUPLING ASSEMBLY - Intermediate shaft to steering gear	ALL		9933329	1
	PIN - Cotter	ALL		7211419	4
	NUT - Hex. 1/4" - 28 self locking	ALL		SP1229	4
	PINION	RIGHT HAND DRIVE		VS12501	1
		LEFT HAND DRIVE		VS12502	1
	SPACER - Pinion upper	ALL		VS11214	1
	SPACER - Pinion lower	ALL		VS12429	1
6.524	BEARING, ADAPTOR — Steering shaft lower				
	BEARING ASSEMBLY	ALL		7805700	1
	ADAPTOR & BEARING ASSY.	ALL		9935030	1
	ADAPTOR - Bearing	ALL		9933750	1
	CLIP - Adaptor	ALL		9930461	1
6.525	RACK, YOKE — Steering gear				
	RACK	6 Cyl. Eng.	RIGHT HAND DRIVE	VS12426	1
			LEFT HAND DRIVE	VS12441	1
	YOKE - Rack support	6 Cyl. Eng.		VS12503	1
6.530	BEARING — Steering gear				
	BEARING	ALL		7156338	2
6.758	COVER, INSULATOR — Steering column				
	COVER - Column to floor	(M) 4, 8 Cyl. Eng.	RIGHT HAND DRIVE	2824110	1
	COVER - Column to floor	(M) 6 Cyl. Eng.	RIGHT HAND DRIVE	2824111	1
	COVER - Column to floor	(A)	RIGHT HAND DRIVE	2824110	1
	COVER - Column to floor		LEFT HAND DRIVE	2825504	1
	INSULATOR - Column to floor		RIGHT HAND DRIVE	9929065	1
			LEFT HAND DRIVE	9930033	1
	INSULATOR - Steering column	Steering Column Shift		2811742	1
	INSULATOR - Steering column	Console Shift		2824649	1
6.760	BRACKET and CAPSULE — Steering column support				
	BRACKET & CAPSULE ASSY.	ALL		2822994	1

HOLDEN "LH" PARTS CATALOGUE

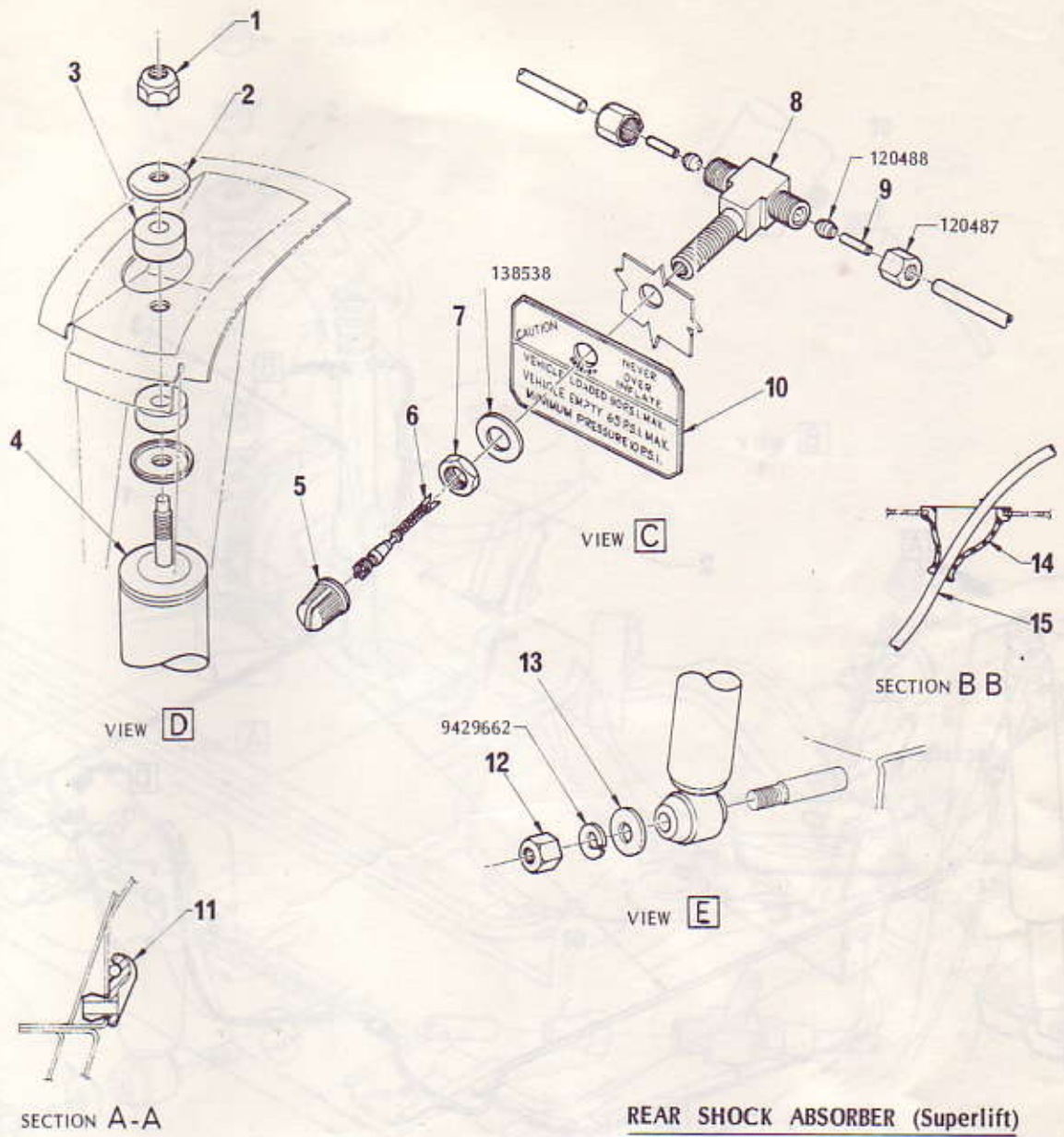
GROUP	DESCRIPTION	MODEL	SIDE	PART No.	QTY.
6.761	BRACE — Instrument panel to dash				
	BRACE	RIGHT HAND DRIVE		2823442	1
		LEFT HAND DRIVE		2824327	1
6.803	HOUSING — Steering gear				
	HOUSING ASSY. - Rack	RIGHT HAND DRIVE		VS12425	1
		LEFT HAND DRIVE		VS12440	1
6.807	PLATE, SPRING — Steering gear housing				
	PLATE - Pinion cover	ALL		7216575	1
	PLATE - Yoke support cover	ALL		VS12527	1
	SPRING - Yoke support cover plate	ALL		VS12504	1
	BOLT - $\frac{3}{8}$ " - 18 x $\frac{7}{8}$ "	ALL		VS12439	4
6.809	SEAL, SHIM, GASKET — Steering gear housing cover and plate				
	SEAL - Pinion oil	ALL		6397763	1
	SHIM - Pinion cover plate .0024"	ALL		6397760	A.R.
	SHIM - Pinion cover plate .005"	ALL		6397761	A.R.
	SHIM - Pinion cover plate .010"	ALL		VS11210	A.R.
	SHIM - Pinion cover plate .015"	ALL		VS11211	A.R.
	SHIM - Pinion cover plate .020"	ALL		VS11212	A.R.
	GASKET - Pinion cover plate	ALL		7216579	1
	SEAL - Pinion dust	ALL		7171275	1
	SHIM - Yoke support plate .0025"	ALL		VS12432	A.R.
	SHIM - Yoke support plate .005"	ALL		VS12433	A.R.
	SHIM - Yoke support plate .010"	ALL		VS12434	A.R.
	GASKET - Yoke support plate	ALL		VS12435	1

GROUP 7.000
FRAME – SPRINGS – BUMPERS

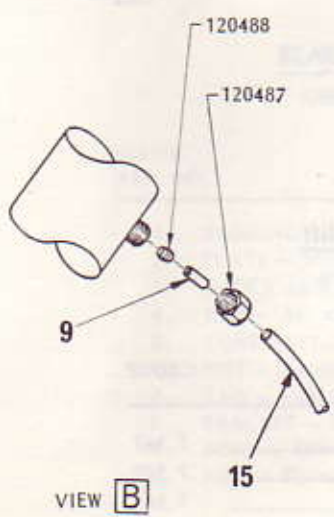


REAR SHOCK ABSORBER – Superlift
PRIOR TO TUBES USING FLARED NUTS

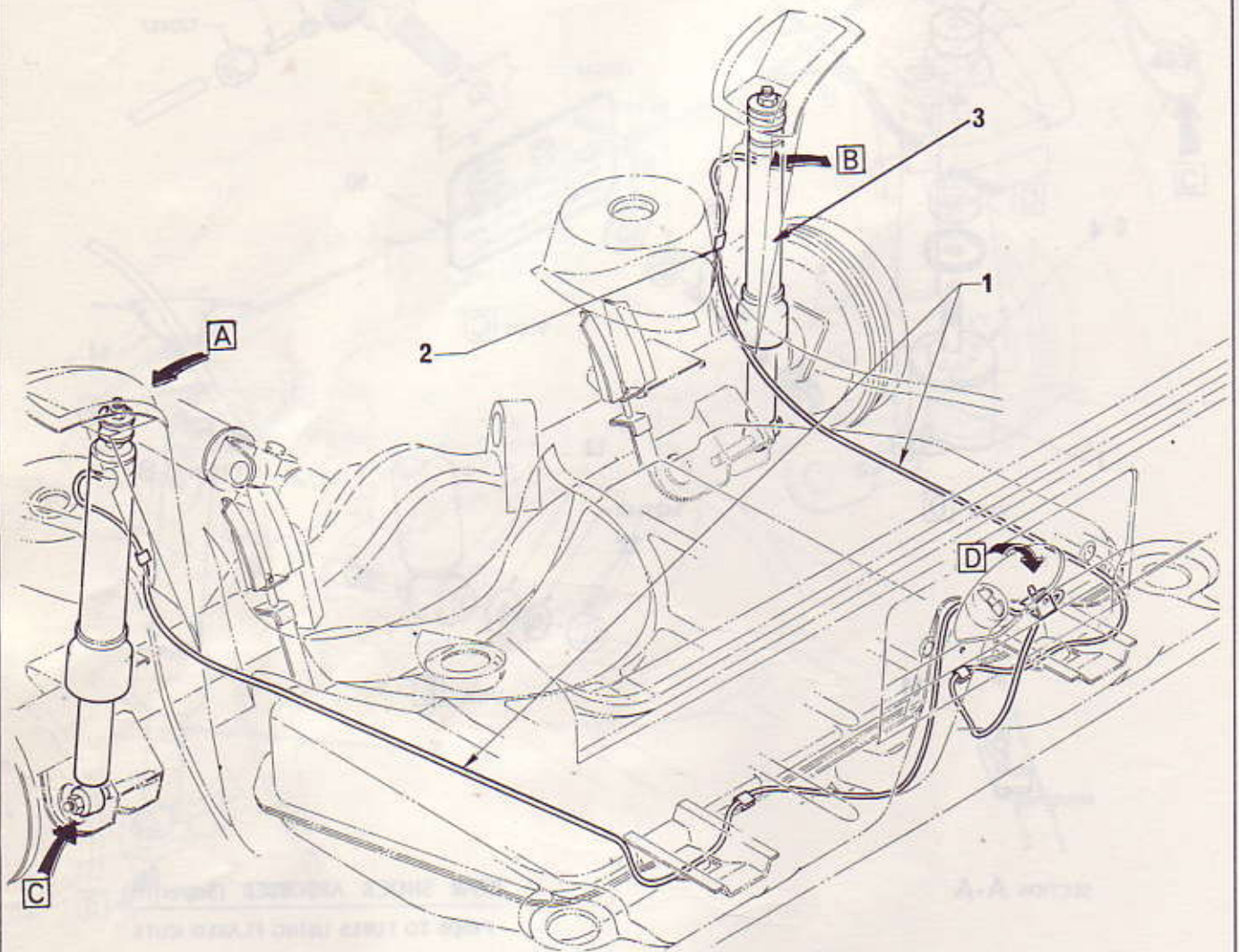
ILLUS. REF. NO.	PART NAME	GROUP
1.	SHOCK ABSORBER ASSY.	7.345
2.	TUBE – Inflation – LH	7.347
3.	TUBE – Inflation – RH	7.347



REAR SHOCK ABSORBER (Superlift)
PRIOR TO TUBES USING FLARED NUTS

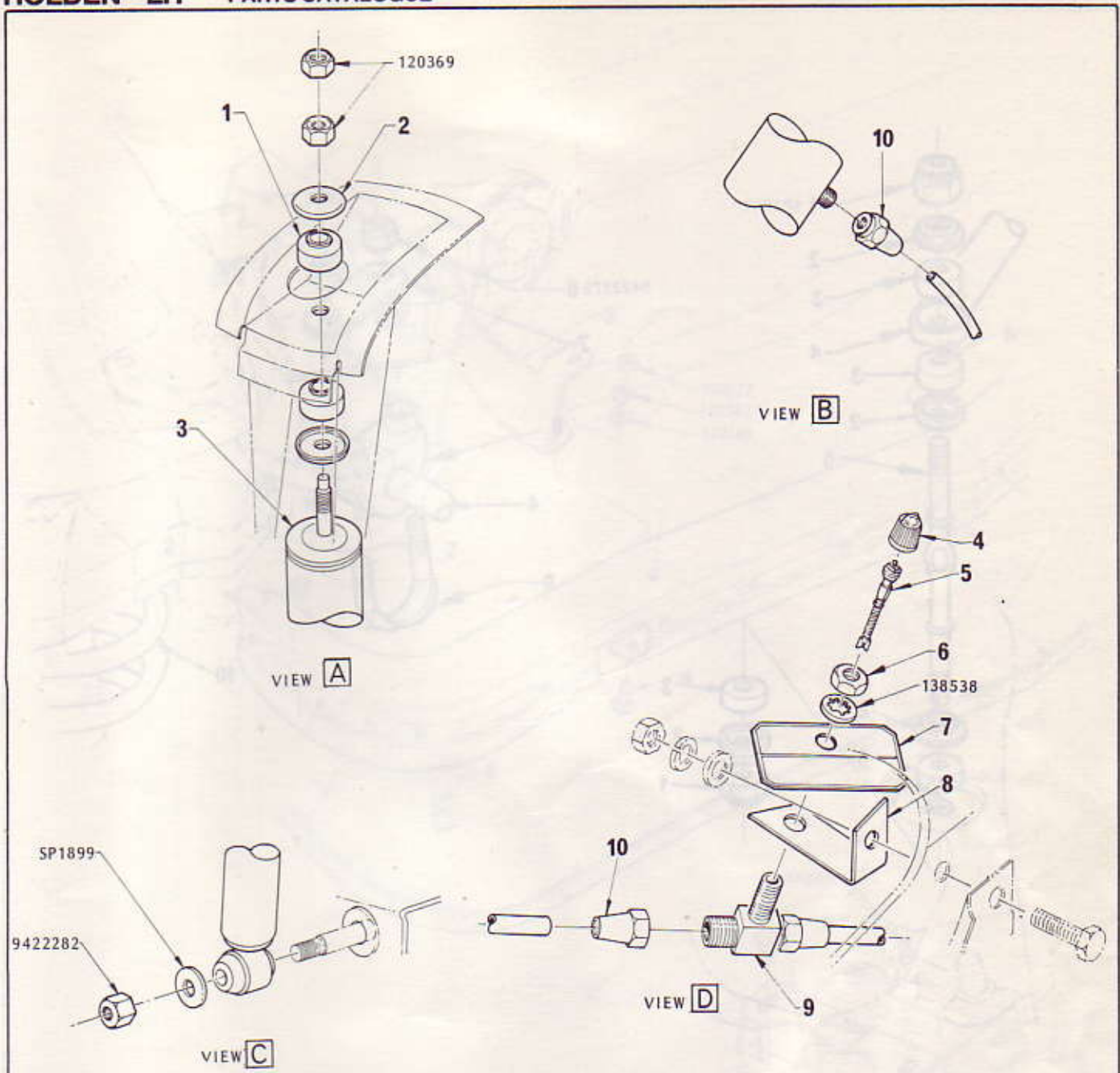


ILLUS. REF. NO.	PART NAME	GROUP
1.	NUT	7.370
2.	PLATE - Absorber to mounting	7.370
3.	BUSHING - Absorber to mounting	7.370
4.	SHOCK ABSORBER ASSEMBLY	7.345
5.	CAP - Air valve	7.347
6.	CORE ASSEMBLY - Air valve	7.347
7.	NUT - Air valve stem	7.347
8.	BODY - Tee valve	7.347
9.	INSERT - Tube	7.347
10.	TAG - Caution	7.345
11.	CLIP - Tube to underbody	7.347
12.	NUT - Absorber to axle	7.370
13.	WASHER - Absorber to axle	7.370
14.	GROMMET - Tube	7.347
15.	TUBE	7.347



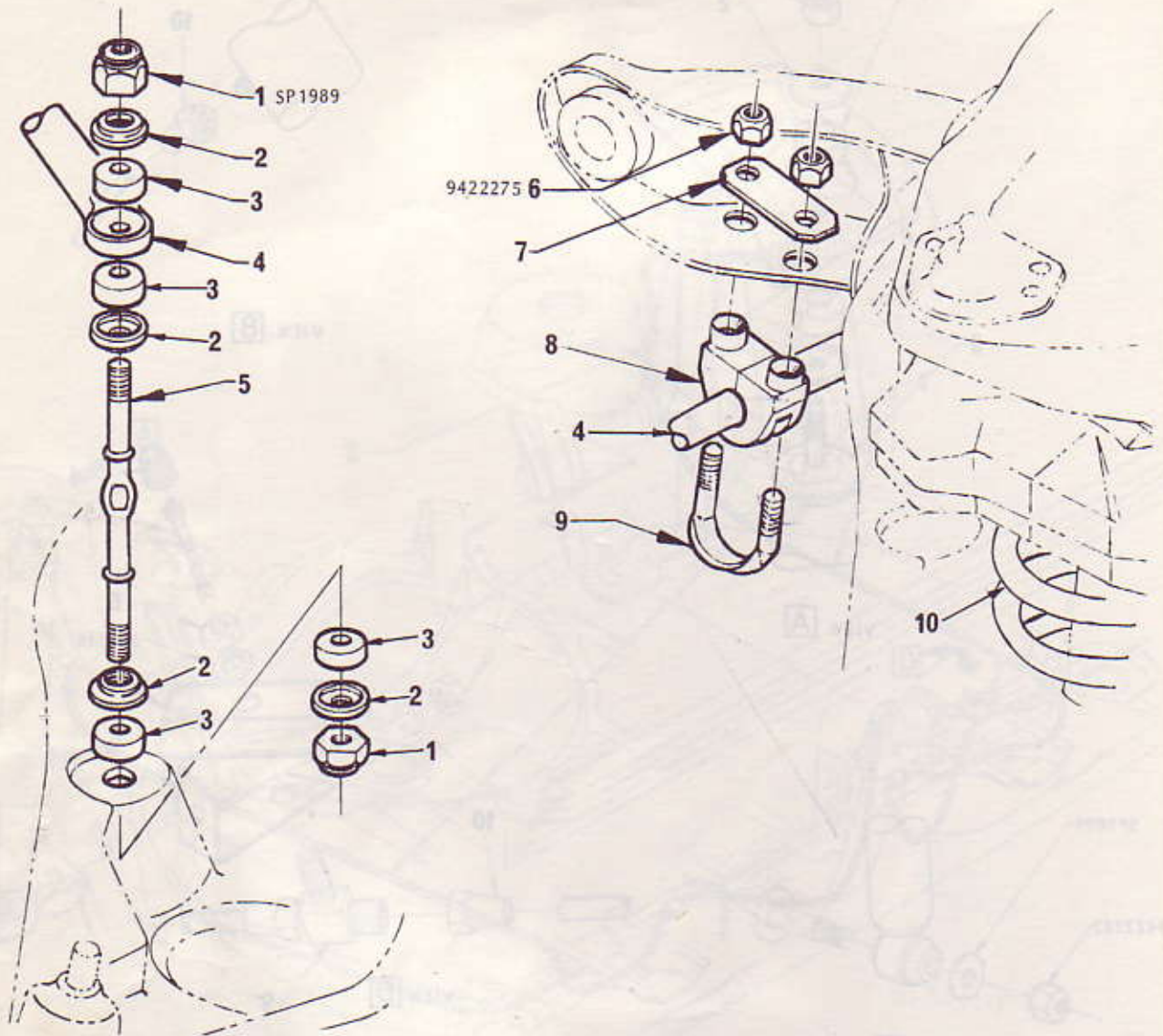
REAR SHOCK ABSORBER – Superlift
USED ON TUBES USING FLARED NUTS

ILLUS. REF. NO.	PART NAME	GROUP
1.	TUBE – Shock absorber to valve stem air	7.347
2.	CLIP – Tube to under body	7.347
3.	SHOCK ABSORBER ASSY.	7.345



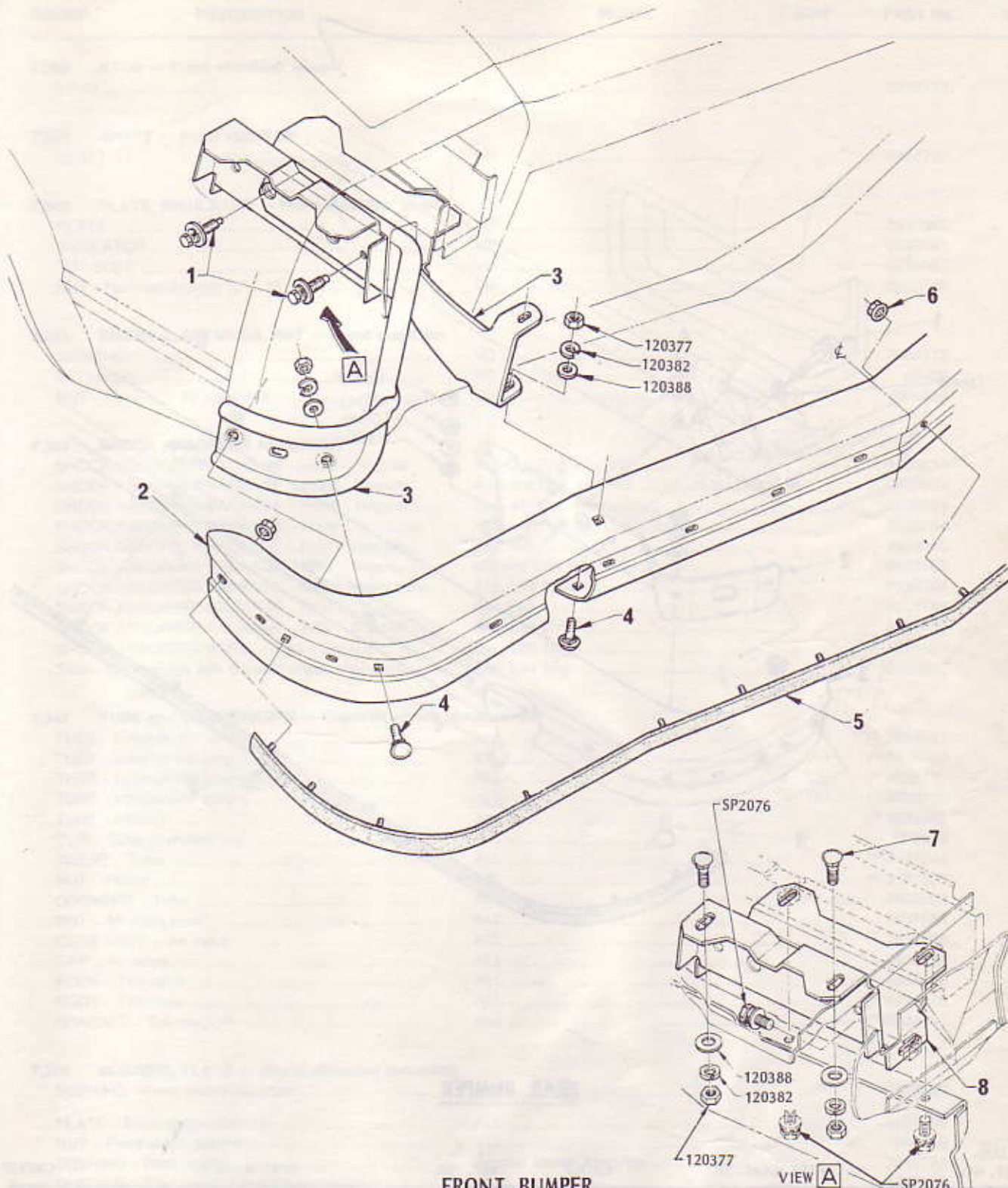
REAR SHOCK ABSORBER – Superlift
USED ON TUBES USING FLARED NUTS

ILLUS. REF. NO.	PART NAME	GROUP
1.	BUSHING – Shock absorber to mounting	7.370
2.	PLATE – Shock absorber to mounting	7.370
3.	SHOCK ABSORBER ASSY.	7.345
4.	CAP – Air valve	7.347
5.	CORE ASSY. – Air valve	7.347
6.	NUT – Air valve stem	7.347
7.	TAG – Caution	7.345
8.	BRACKET – Tee support	7.347
9.	BODY – Tee valve	7.347
10.	NUT – Flared	7.347



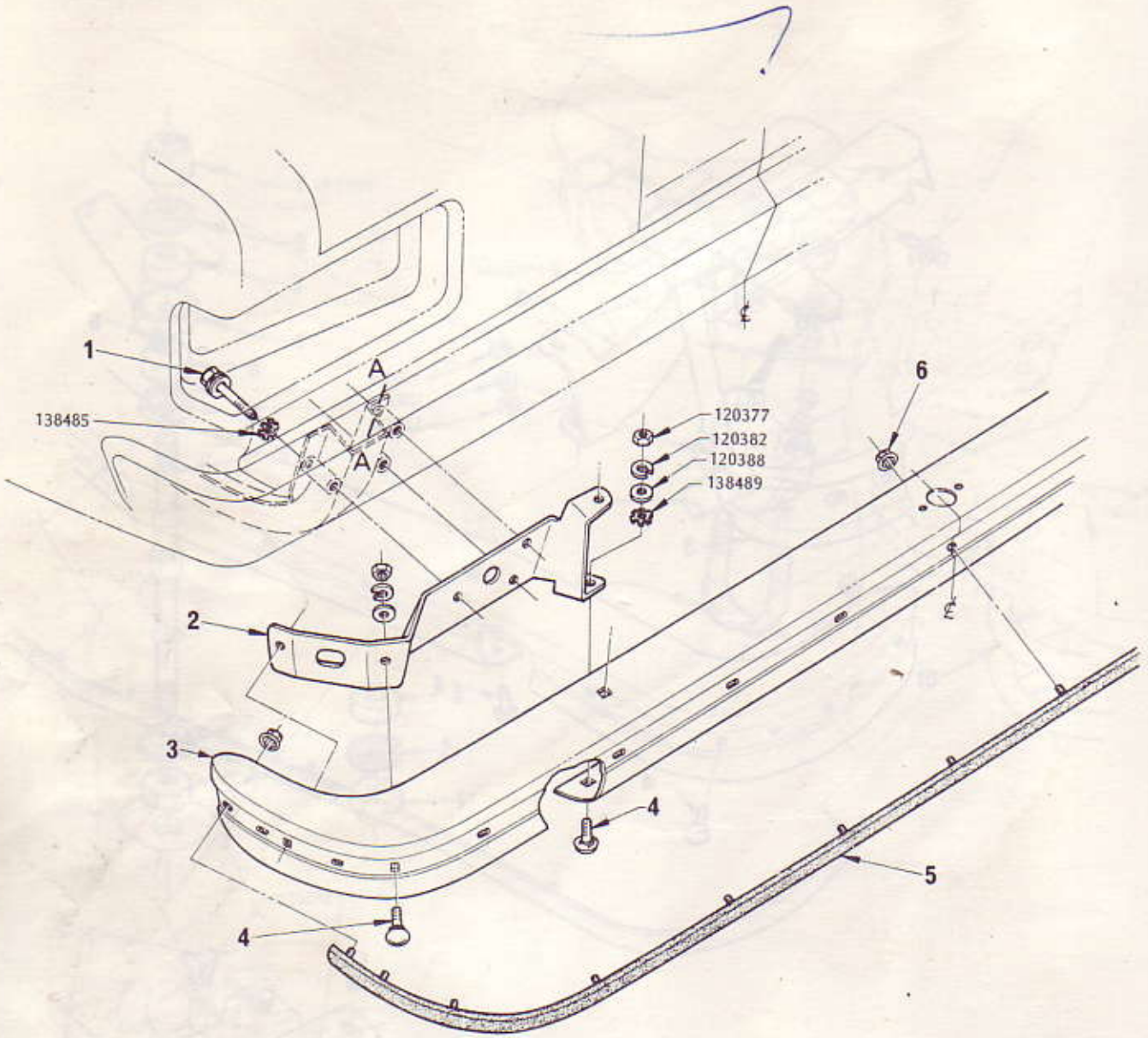
FRONT STABILISER

ILLUS. REF. NO.	PART NAME	GROUP	ILLUS. REF. NO.	PART NAME	GROUP
1.	NUT	7.243	6.	NUT	7.242
2.	RETAINER	7.243	7.	PLATE	7.242
3.	BUSHING	7.243	8.	INSULATOR	7.242
4.	SHAFT	7.241	9.	'U' BOLT	7.242
5.	STUD	7.240	10.	SPRING	6.361



FRONT BUMPER

ILLUS. REF. NO.	PART NAME	GROUP	ILLUS. REF. NO.	PART NAME	GROUP
1.	BOLT - Bracket to support	7.836	5.	STRIP - Rubbing	7.831
2.	BAR - Bumper face	7.831	6.	NUT - Rubbing strip	7.831
3.	BRACKET	7.836	7.	BOLT - Bracket support to frame	7.836
4.	BOLT - Face bar	7.852	8.	SUPPORT - Bracket	7.836



REAR BUMPER

ILLUS. REF. NO.	PART NAME	GROUP	ILLUS. REF. NO.	PART NAME	GROUP
1.	BOLT - Bar to rear end panel	7.836	4.	BOLT - Face bar	7.852
2.	BRACKET	7.836	5.	STRIP - Rubbing	7.831
3.	BAR - Bumper face	7.831	6.	NUT - Rubbing strip	7.831

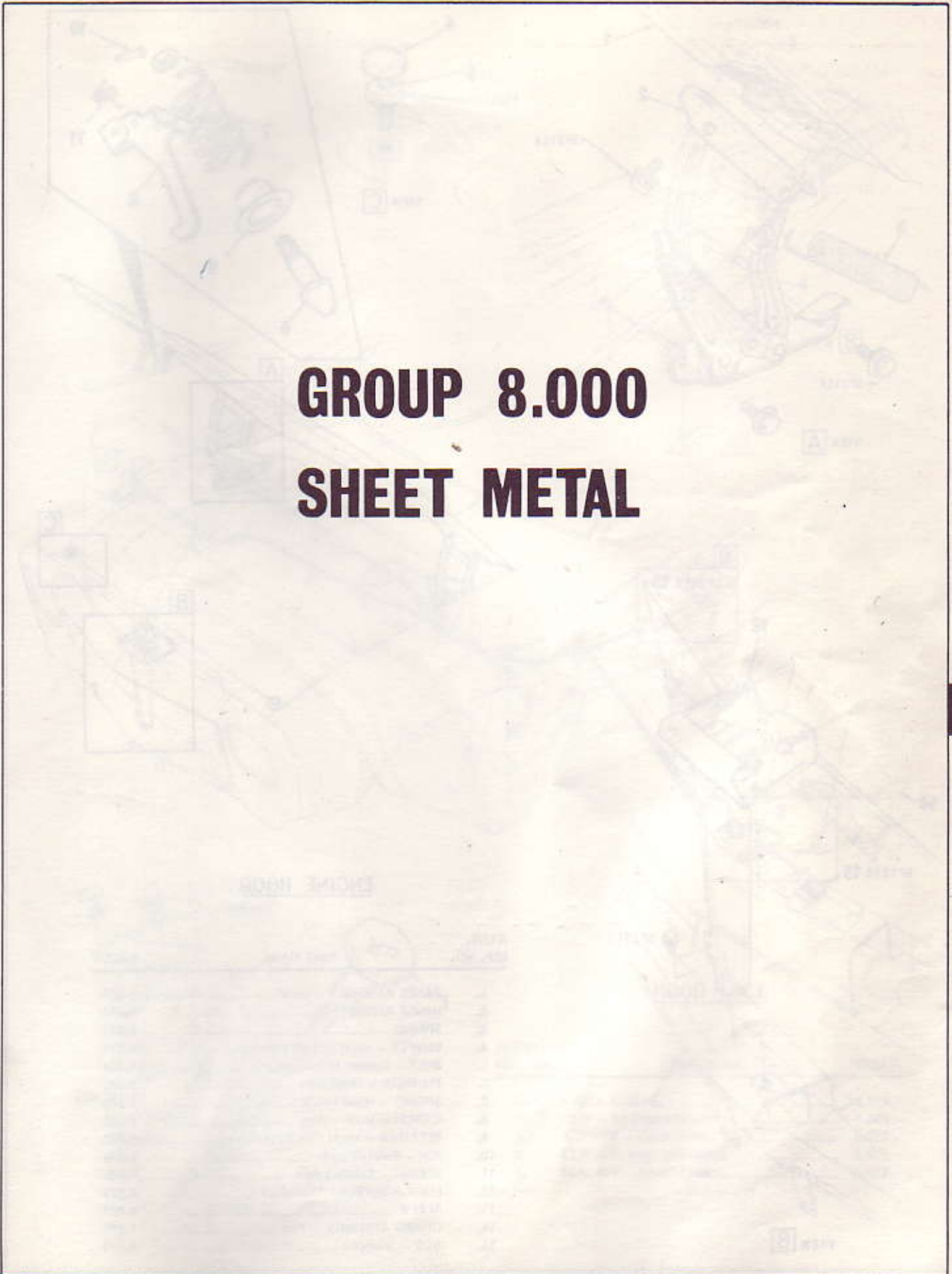
HOLDEN "LH" PARTS CATALOGUE

GROUP	DESCRIPTION	MODEL	SIDE	PART No.	QTY.
7.240	STUD — Front stabiliser spacer				
	STUD	VD		2810771	2
7.241	SHAFT — Front stabiliser				
	SHAFT	VD		2824797	1
7.242	PLATE, INSULATOR — Front stabiliser shaft				
	PLATE	VD		9933563	2
	INSULATOR	VD		9933561	2
	"U" BOLT	VD		9933562	2
	NUT - Hex. self locking 5/16" - 18	VD		9422275	4
7.243	BUSHING, RETAINER, NUT — Front stabiliser				
	BUSHING	VD		7084112	8
	RETAINER	VD		43468	8
	NUT - Hex. 3/8" - 24 cone lock	VD		SP1989	4
7.345	SHOCK ABSORBER ASSEMBLY				
	SHOCK ABSORBER PACKAGE - Front - Regular ..	4, 6 Cyl. Eng. exc. VD		9930871	2
	SHOCK ABSORBER PACKAGE - Front - Regular ..	4.2 Litre Eng. exc. VD		9930872	2
	SHOCK ABSORBER PACKAGE - Front - Regular ..	Exc. VD		9933764	2
	SHOCK ABSORBER PACKAGE - Front	VD		9933764	2
	SHOCK ABSORBER PACKAGE - Rear - Regular ...	Exc. VD		9933765	2
	SHOCK ABSORBER PACKAGE - Rear - Regular ...	VD exc. L34 Eng.		9933767	2
	SHOCK ABSORBER PACKAGE - Rear - Heavy duty	Exc. L34 Eng.		9933766	2
	SHOCK ABSORBER PACKAGE - Rear	L34 Eng.		9933766	2
	SHOCK ABSORBER PACKAGE - Rear - Superlift ..	Exc. L34 Eng.		9931715	1
	SHOCK ABSORBER ASSY. - Rear - Superlift	Exc. L34 Eng.		4975503	2
	TAG - Caution use with superlift shock absorbers ...	Exc. L34 Eng.		2825280	1
7.347	TUBE and COMPONENTS — Superlift shock absorber air				
	TUBE - Inflation, 66" long	ALL	LH	(⁶¹ 2816961	1
	TUBE - Inflation 41" long	ALL	RH	(⁶¹ 2816960	1
	TUBE - Inflation 66" long	ALL	LH	(⁶² 9938107	1
	TUBE - Inflation 41" long	ALL	RH	(⁶² 9938112	1
	TUBE - Inflation	ALL		(⁶² 9939393	2
	CLIP - Tube to underbody	ALL		SP2359	2
	INSERT - Tube	ALL		(⁶¹ 7437644	4
	NUT - Flared	ALL		(⁶² 3176207	2
	GROMMET - Tube	ALL		9930003	2
	NUT - Air valve stem	ALL		7437584	1
	CORE ASSY. - Air valve	ALL		7437586	1
	CAP - Air valve	ALL		7437585	1
	BODY - Tee valve	ALL		(⁶¹ 4964413	1
	BODY - Tee valve	ALL		(⁶² 9935678	1
	BRACKET - Tee support	ALL		(⁶² 9932487	1
7.370	BUSHING, PLATE — Shock absorber mounting				
	BUSHING - Front shock absorber	ALL		9938689	4
	PLATE - Front shock absorber	ALL		7437268	4
	NUT - Front shock absorber	ALL		SP1989	2
	BUSHING - Rear, lower	Regular Shock Absorber		2815193	2
	BUSHING - Rear shock absorber to mounting	ALL		7437267	4
	PLATE - Rear shock absorber to mounting	ALL		7437268	4
	WASHER - Rear shock absorber to axle	ALL		SP1899	2
	NUT - Rear shock absorber to axle	ALL		9422282	2
	NUT - Rear shock absorber to upper mounting	ALL		120369	2
	NUT - Rear shock absorber	Superlift Shock Absorber		SP1330	2

Note: (⁶¹ Prior to tubes using flared nuts.
(⁶² Tubes using flared nuts.

HOLDEN "LH" PARTS CATALOGUE

GROUP	DESCRIPTION	MODEL	SIDE	PART No.	QTY.
7.503	SPRING — Rear				
	SPRING - Regular	UG, UH, VB, VC	<i>NLA</i>	2824878	2
	SPRING - Regular	VD exc. L34 Eng.	<i>NLA</i>	2825058	2
	SPRING - Heavy duty	Exc. L34 Eng.		2825057	2
	SPRING	L34 Eng.		2825057	2
7.535	BUMPER — Rear axle				
	BUMPER	ALL		2824800	2
7.545	INSULATOR — Rear spring seat				
	INSULATOR	ALL		2809189	2
7.632	BOLT — Spare wheel retaining				
	BOLT	4.50 x 13 wheels		SP2291	1
	BOLT	6.00 x 13, 5.50 x 13 wheels		SP2530	1
	RETAINER - Bolt	ALL		2822340	1
7.633	NUT — Spare wheel retaining				
	NUT - Mounting wing	ALL		2815244	1
7.796	BUMPER - Front licence plate mounting				
	BUMPER	ALL		7409209	1
7.800	BRACKET — Front licence plate mounting				
	BRACKET - Licence plate to air dam	ALL		9932022	1
7.831	BAR — Bumper face				
	BAR - Front - Plain	UG, VB, L34 Eng.	<i>NLA</i>	2824379	1
	BAR - Front - Recessed for rubbing strip	ALL		2825532	1
	STRIP - Rubbing - Front bar	ALL		2825529	1
	NUT - Rubbing strip to front bar, stamped type "DF" 1/4" - 20	ALL		9420234	16
	BAR - Rear - Plain	UG, VB, L34 Eng.	<i>NLA</i>	2824342	1
	BAR - Rear - Recessed for rubbing strip	ALL		2825732	1
	STRIP - Rubbing - Rear bar	ALL		9928794	1
	NUT - Rubbing strip to rear bar, stamped type "DF" 1/4" - 20	ALL		9420234	15
7.836	BRACKET — Bumper bar				
	BRACKET - Front	ALL	<i>NLA</i> { LH	2824621	1
			RH	2824620	1
	SUPPORT - Bracket	ALL		2824131	2
	BRACKET - Rear	ALL	LH	2824727	1
			RH	2824726	1
	BOLT - Front bar bracket to support, hex. hd. 3/8" - 16 x 1.25"	ALL		SP2499	4
	BOLT - Front bracket support to frame	ALL		SP2505	4
	BOLT - Rear bar to rear end panel, hex. hd. 5/16" - 18 x 2.25"	ALL		SP2360	6
	SPACER - Rear bar mounting, inner	ALL		2824663	2
	SPACER - Rear bar mounting, outer	ALL		2824664	2
7.852	BOLT — Bumper face bar				
	BOLT - Plated head	ALL		SP2365	16-8
	BOLT - Cad. head - Recessed bar	ALL		455980	8
	BOLT - Phos. coated	ALL		SP2505	4
7.870	SHIELD — Front bumper stone				
	SHIELD	ALL	LH	2824817	1
			RH	2824816	1

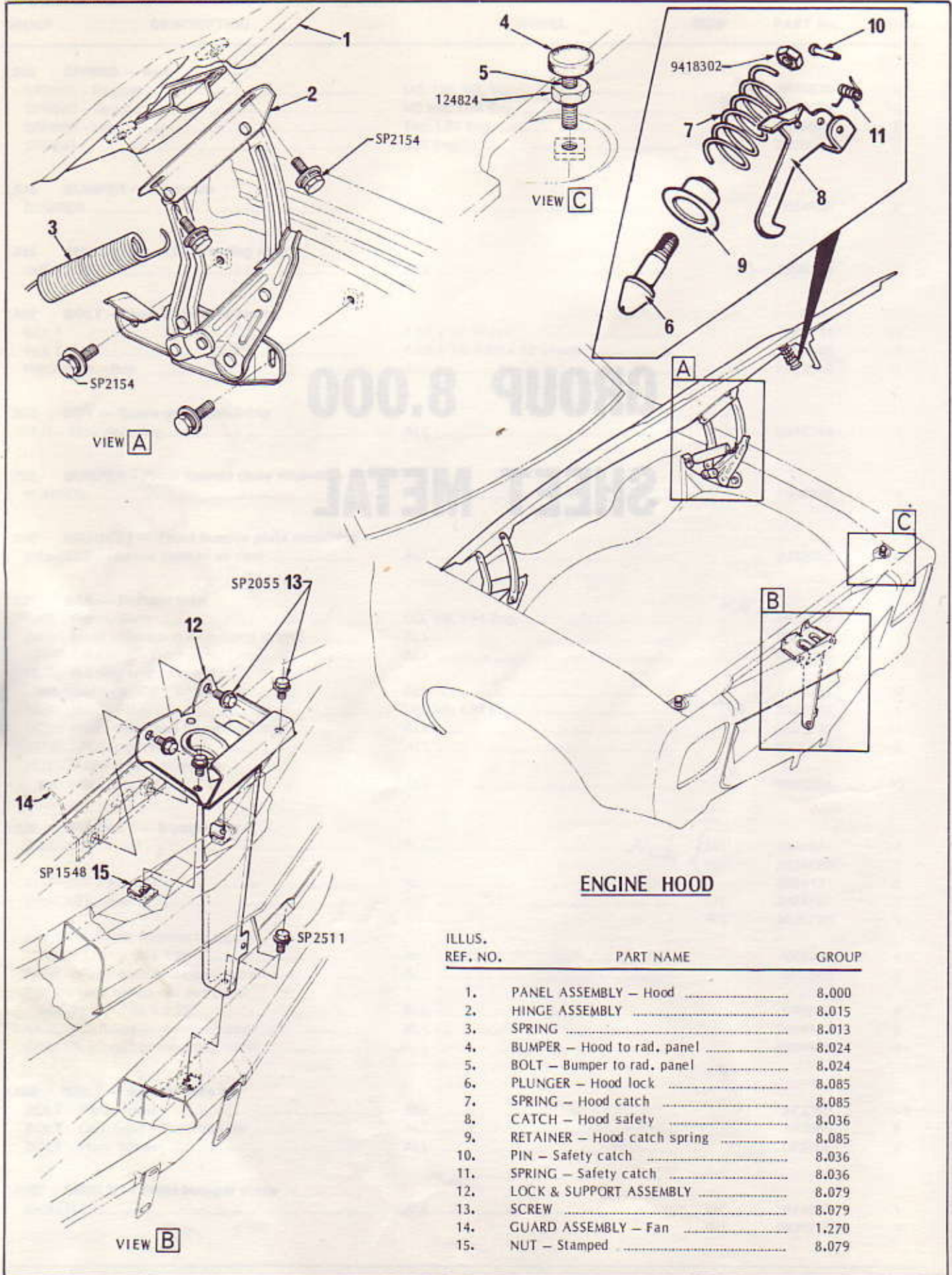


GROUP 8.000

SHEET METAL

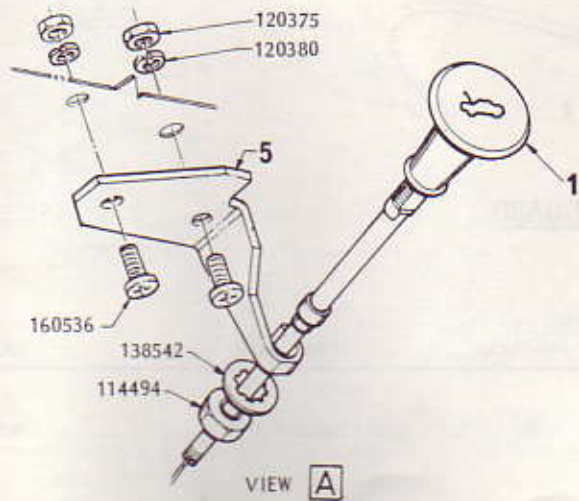
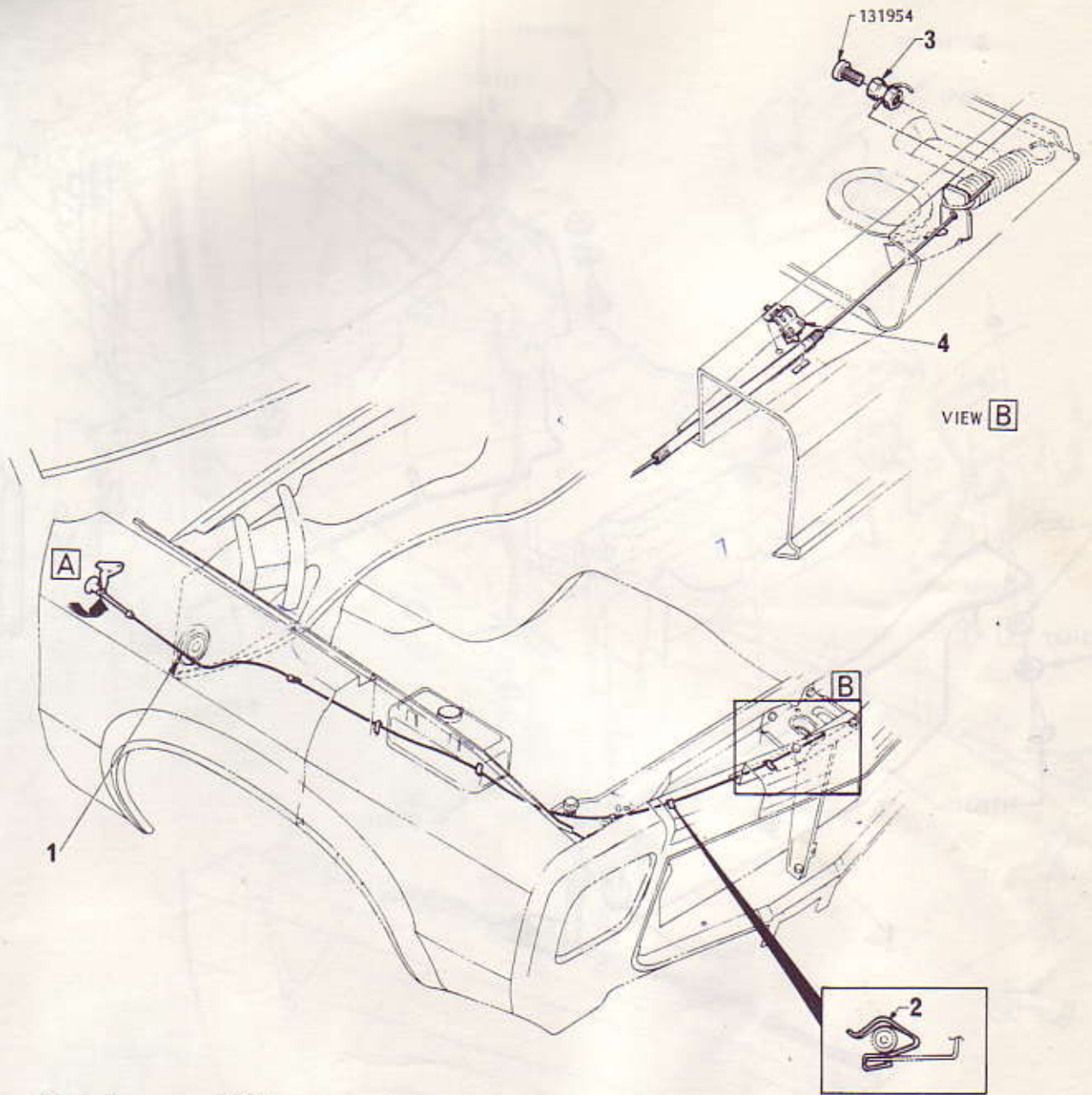
ENGINE INHER

ITEM NO.	DESCRIPTION	QTY
1	...	1
2	...	1
3	...	1
4	...	1
5	...	1
6	...	1
7	...	1
8	...	1
9	...	1
10	...	1
11	...	1
12	...	1
13	...	1
14	...	1
15	...	1
16	...	1
17	...	1
18	...	1
19	...	1
20	...	1
21	...	1
22	...	1
23	...	1
24	...	1
25	...	1
26	...	1
27	...	1
28	...	1
29	...	1
30	...	1
31	...	1
32	...	1
33	...	1
34	...	1
35	...	1
36	...	1
37	...	1
38	...	1
39	...	1
40	...	1
41	...	1
42	...	1
43	...	1
44	...	1
45	...	1
46	...	1
47	...	1
48	...	1
49	...	1
50	...	1



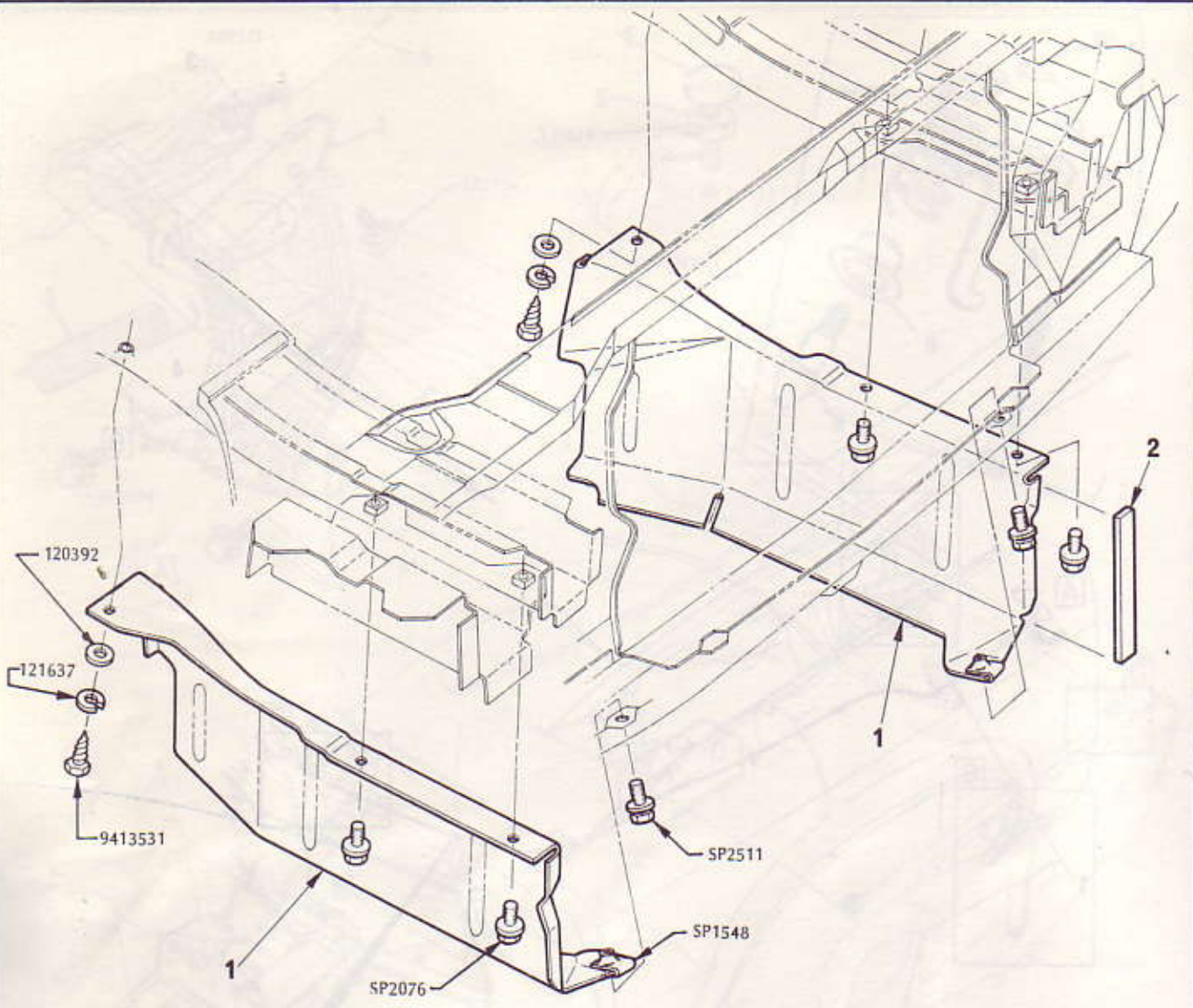
ENGINE HOOD

ILLUS. REF. NO.	PART NAME	GROUP
1.	PANEL ASSEMBLY – Hood	8.000
2.	HINGE ASSEMBLY	8.015
3.	SPRING	8.013
4.	BUMPER – Hood to rad. panel	8.024
5.	BOLT – Bumper to rad. panel	8.024
6.	PLUNGER – Hood lock	8.085
7.	SPRING – Hood catch	8.085
8.	CATCH – Hood safety	8.036
9.	RETAINER – Hood catch spring	8.085
10.	PIN – Safety catch	8.036
11.	SPRING – Safety catch	8.036
12.	LOCK & SUPPORT ASSEMBLY	8.079
13.	SCREW	8.079
14.	GUARD ASSEMBLY – Fan	1.270
15.	NUT – Stamped	8.079



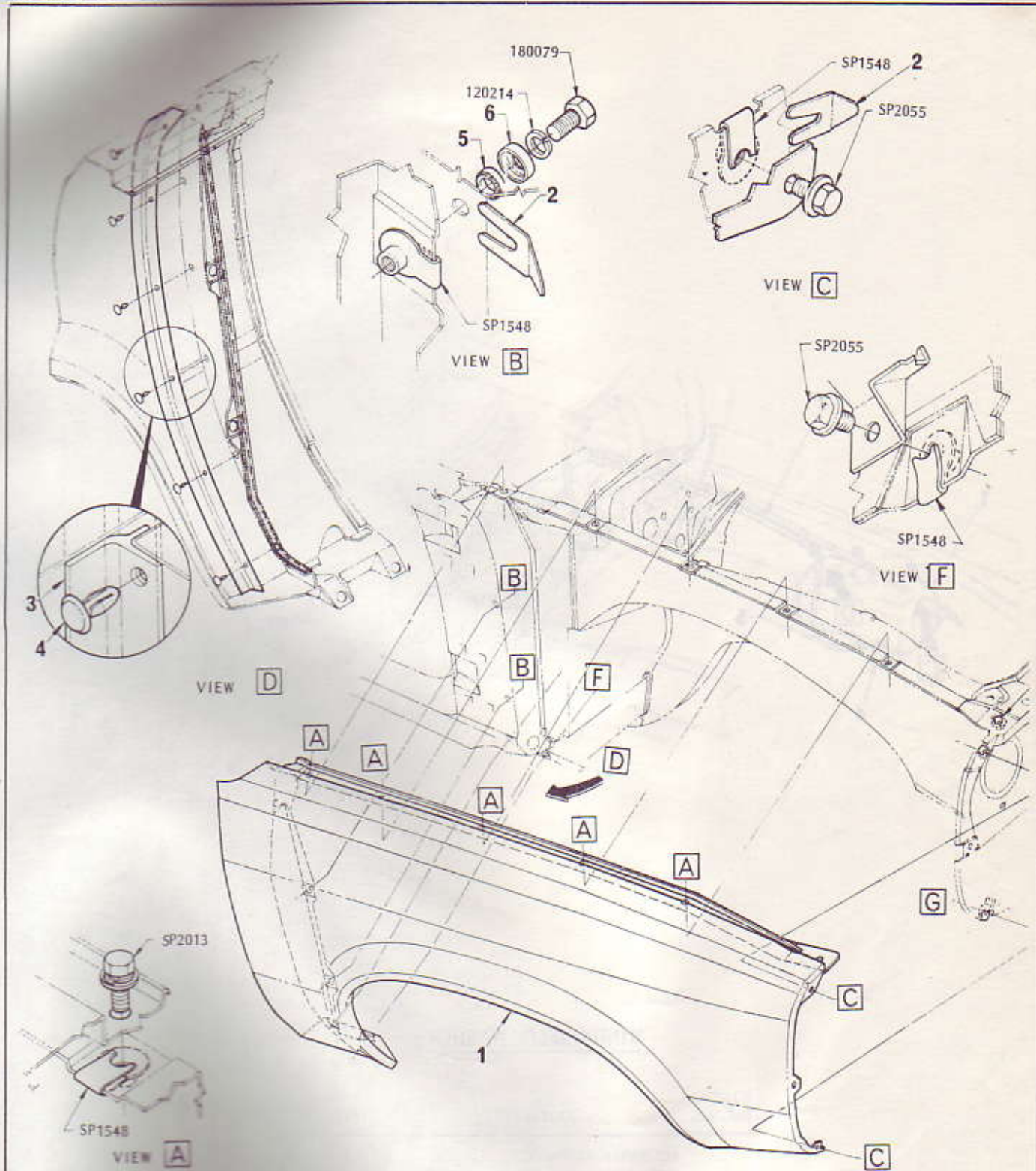
HOOD LOCK

ILLUS. REF. NO.	PART NAME	GROUP
1.	CABLE ASSEMBLY	8.075
2.	CLIP - To front end panel	8.075
3.	ANCHOR - Control rod	8.077
4.	CLIP - To front end panel	8.075
5.	BRACKET - Control rod	8.077



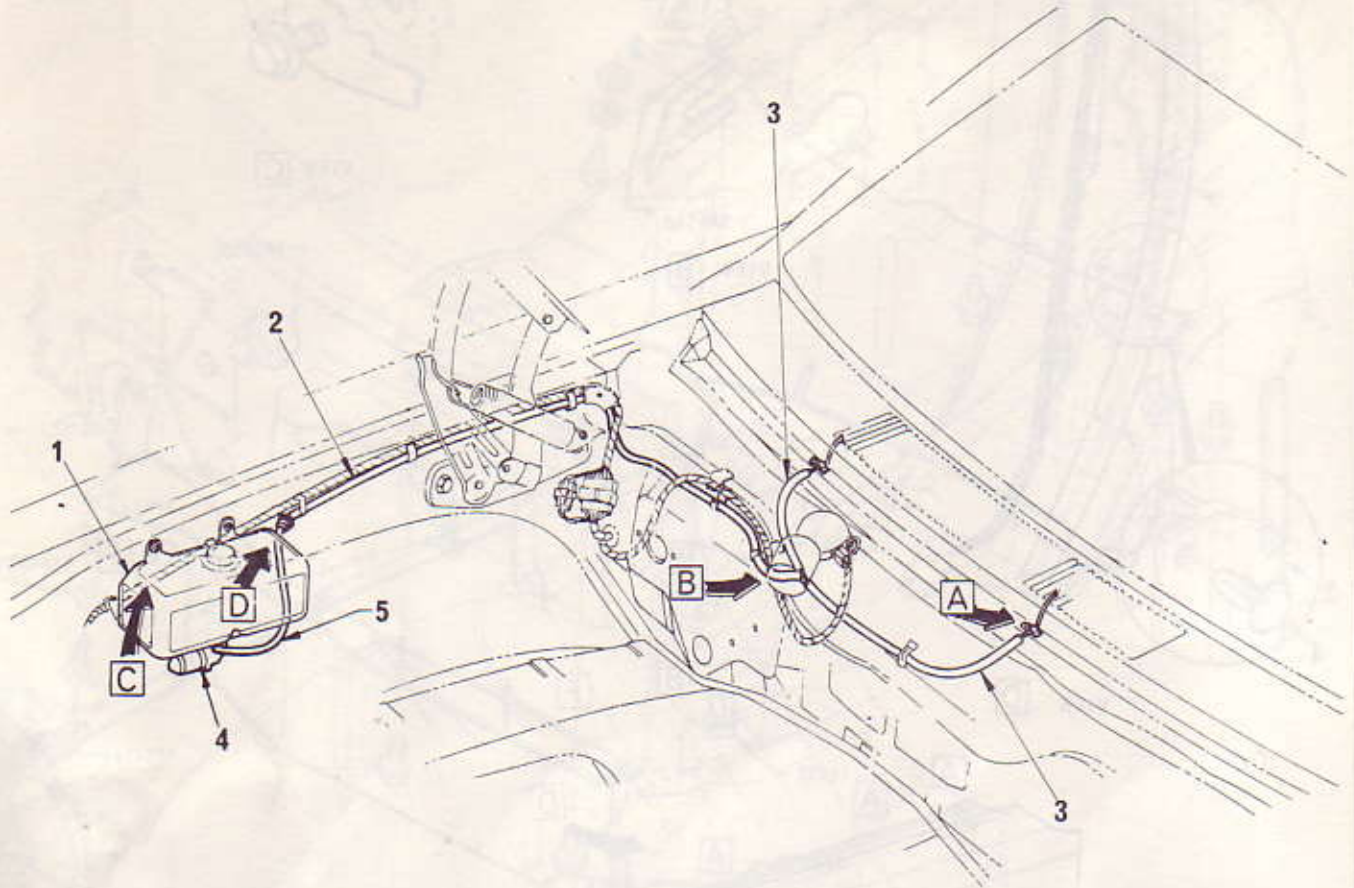
SIDE SPLASH GUARD

ILLUS. REF. NO.	PART NAME	GROUP	ILLUS. REF. NO.	PART NAME	GROUP
1.	GUARD - Side	8.112	2.	SEAL - Splash guard side	8.112



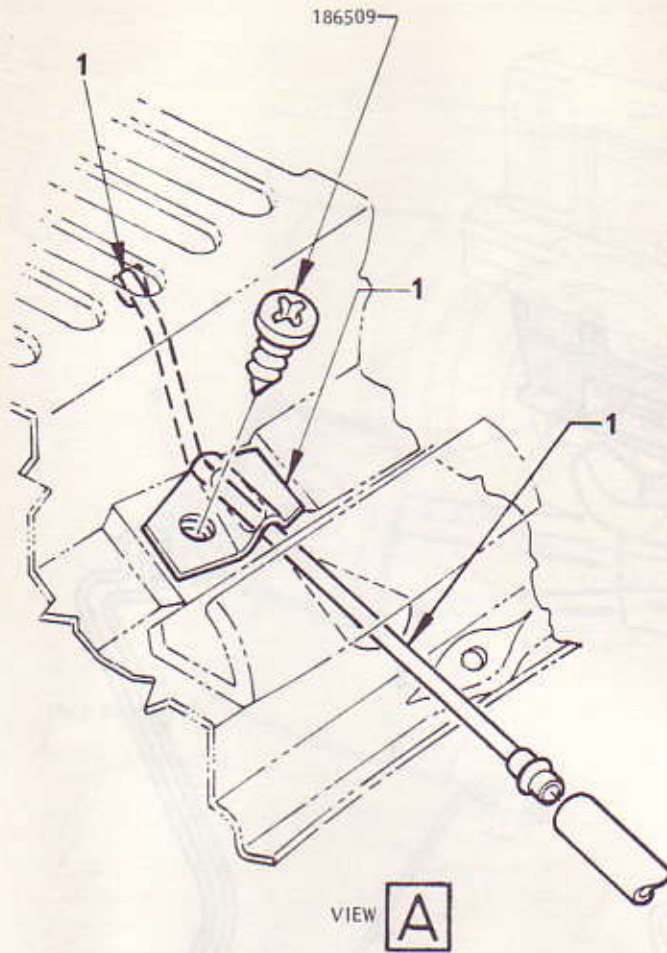
FRONT FENDER

ILLUS. REF. NO.	PART NAME	GROUP	ILLUS. REF. NO.	PART NAME	GROUP
1.	FENDER ASSEMBLY	8.130	4.	FASTENER - Drive	8.154
2.	SHIM - Front leader	8.131	5.	WASHER - Rubber	8.143
3.	SEAL - Front leader	8.154	6.	WASHER - Cup	8.143

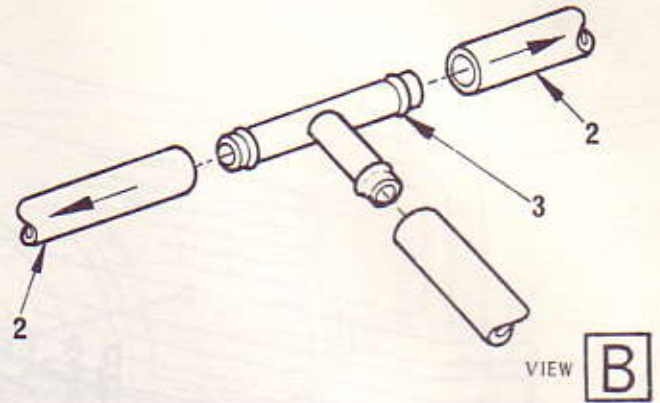


WINDSHIELD WASHER

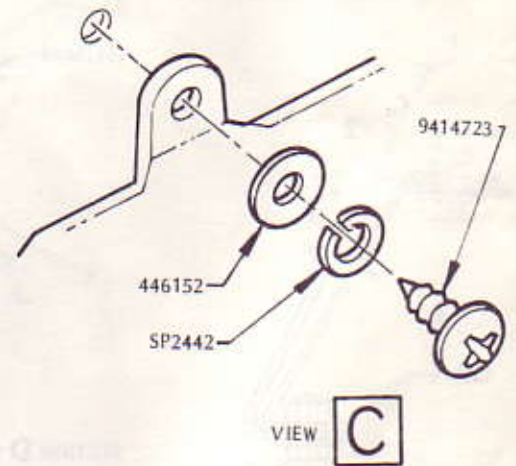
ILLUS. REF. NO.	PART NAME	GROUP
1.	RESERVOIR ASSEMBLY	8.798
2.	HOSE - Valve to tee	8.798
3.	HOSE - Tee to nozzle	8.798
4.	PUMP ASSEMBLY	8.798
5.	HOSE - Reservoir to valve	8.798



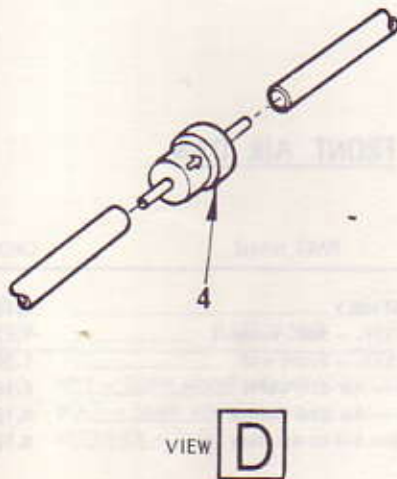
VIEW **A**



VIEW **B**



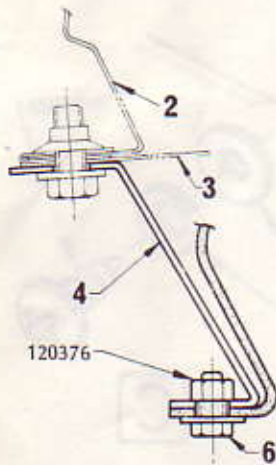
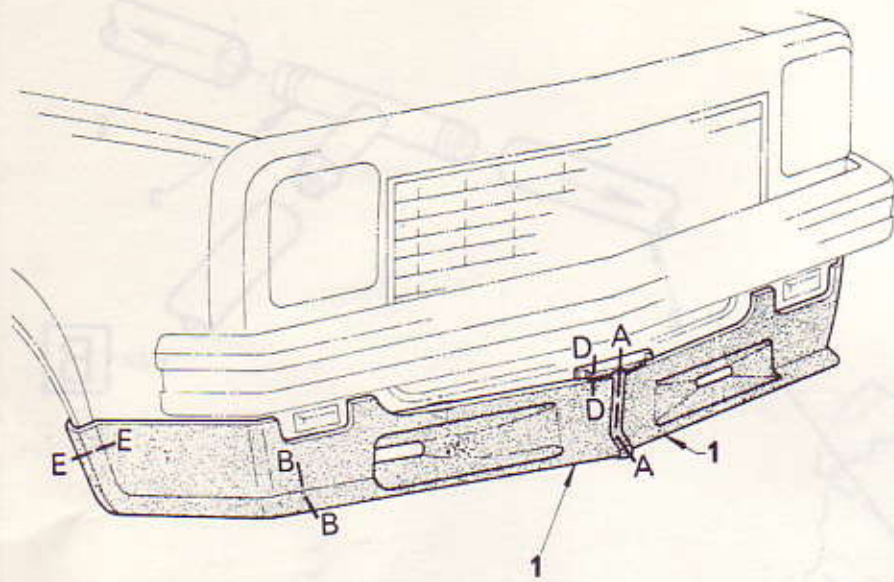
VIEW **C**



VIEW **D**

WINDSHIELD WASHER

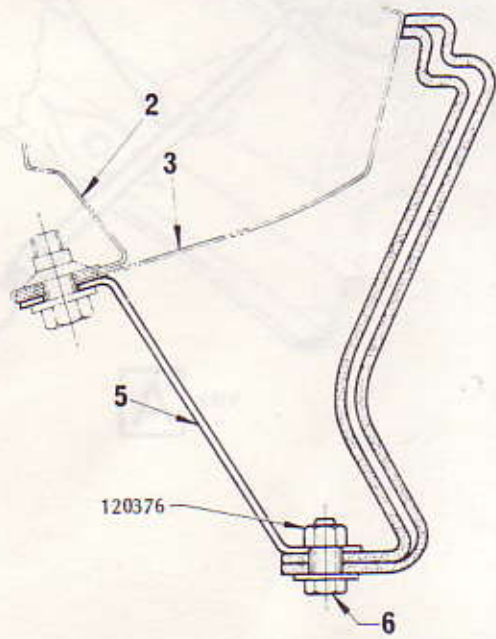
ILLUS. REF. NO.	PART NAME	GROUP
1.	NOZZLE ASSEMBLY	8.798
2.	HOSE - Tee to nozzle	8.798
3.	TEE	8.798
4.	VALVE ASSEMBLY	8.798



SECTION B - B



SECTION D - D



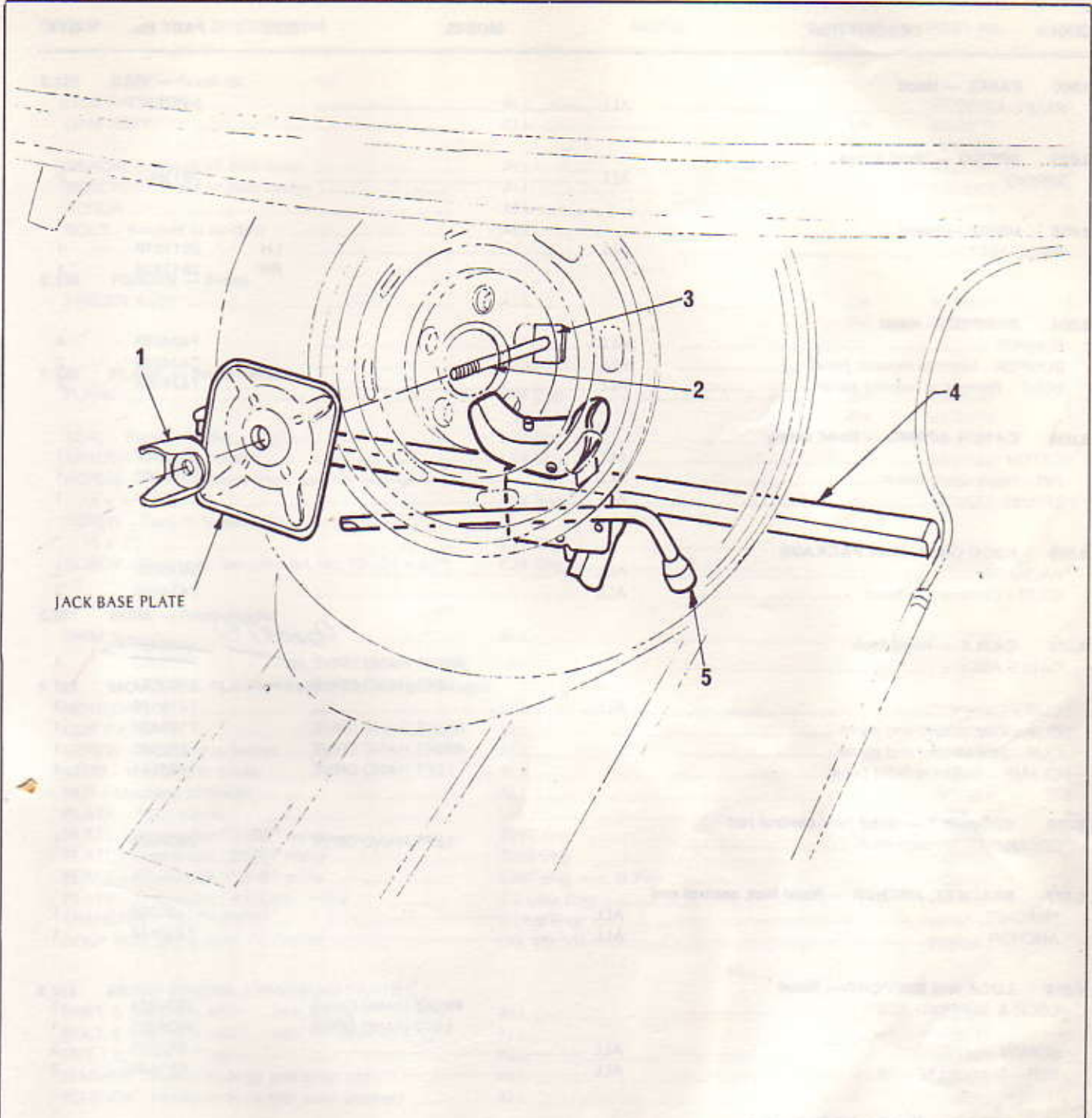
SECTION A - A



SECTION E - E

FRONT AIR DAM

ILLUS. REF. NO.	PART NAME	GROUP
1.	DAM ASSEMBLY	8.126
2.	PANEL ASSY. - Rad. support	1.270
3.	PANEL ASSY. - Front end	1.266
4.	BRACKET - Air dam outer	8.126
5.	BRACKET - Air dam centre	8.126
6.	BOLT - Bracket to air dam	8.126



JACK and SPARE WHEEL

ILLUS. REF. NO.	PART NAME	GROUP	ILLUS. REF. NO.	PART NAME	GROUP
1.	NUT - Spare wheel retaining	7.633	4.	JACK ASSEMBLY	8.820
2.	BOLT - Spare wheel retaining	7.632	5.	WRENCH - Wheel nut	8.821
3.	RETAINER - Bolt	7.632			

HOLDEN "LH" PARTS CATALOGUE

GROUP	DESCRIPTION	MODEL	SIDE	PART No.	QTY.
8.000	PANEL — Hood				
	PANEL ASSY.	ALL		9931087	1
8.013	SPRING — Hood hinge				
	SPRING	ALL		2811667	2
8.015	HINGE — Hood				
	HINGE ASSY.	ALL	LH	2811919	1
			RH	2811918	1
8.024	BUMPER — Hood				
	BUMPER	ALL		7424840	4
	BUMPER - Hood to radiator panel	ALL		7424249	2
	BOLT - Bumper to radiator panel	ALL		7424068	2
8.036	CATCH, SPRING — Hood safety				
	CATCH	ALL		2811857	1
	PIN - Hood safety catch	ALL		2811603	1
	SPRING	ALL		2811604	1
8.055	HOOD ORNAMENT PACKAGE				
	PACKAGE	ALL		9933785	1
	STUD - Ornament to hood	ALL		7434869	3
8.075	CABLE — Hood lock				
	CABLE ASSY.		RIGHT HAND DRIVE	9929563	1
			LEFT HAND DRIVE	9929564	1
	CLIP - Cable	ALL		7415519	3
	CLIP - Rod to front end panel		RIGHT HAND DRIVE	7175429	1
	CLIP - Rod to front end panel		RIGHT HAND DRIVE	SP2525	1
	CLAMP - Rod to radiator panel		LEFT HAND DRIVE	7433551	4
8.076	GROMMET — Hood lock control rod				
	GROMMET - Through dash		LEFT HAND DRIVE	2807028	1
8.077	BRACKET, ANCHOR — Hood lock control rod				
	BRACKET	ALL		7433068	1
	ANCHOR	ALL		7400144	1
8.079	LOCK and SUPPORT — Hood				
	LOCK & SUPPORT ASSY.		RIGHT HAND DRIVE	2824934	1
			LEFT HAND DRIVE	9929252	1
	SCREW	ALL		SP2055	5
	NUT - Stamped 3/16" - 18	ALL		SP1548	2
8.081	SPRING — Hood catch lock plate				
	SPRING	ALL		7432435	1
8.085	SPRING, RETAINER, PLUNGER — Hood catch				
	SPRING - Hood catch	ALL		7424228	1
	RETAINER - Hood catch spring	ALL		7432749	1
	PLUNGER - Hood lock	ALL		7415559	1
	BRACKET - Plunger	ALL		2812091	1
8.112	GUARD — Engine compartment splash				
	GUARD - Side	ALL	LH	9932337	1
			RH	9932338	1
	NUT - 1/4" - 20 "J" type spring	ALL		SP1548	A.R.
	SEAL - Splash guard side	ALL		9932503	2
	GUARD PACKAGE - Centre splash	ALL		9932596	1

9200943 *2121545*

HOLDEN "LH" PARTS CATALOGUE

GROUP	DESCRIPTION	MODEL	SIDE	PART No.	QTY.
8.126	DAM — Front air				
	DAM PACKAGE	ALL		9936516	1
	DAM ASSY.	ALL	LH	9932019	1
			RH	9932020	1
	BRACKET - Front air dam outer	ALL		9933103	2
	BRACKET - Front air dam centre	ALL		9932021	1
	SCREW	ALL		9419609	6
	BOLT - Bracket to air dam	ALL		SP2511	3
8.130	FENDER — Front				
	FENDER ASSY.	ALL	LH	9936467	1
			RH	9936468	1
8.130	FLARE — Front fender				
	FLARE	L34 Eng.	LH	9932349	1
			RH	9932350	1
	SEAL - Flare to fender	L34 Eng.		9940309	2
	SPACER - Flare to fender	L34 Eng.		2822013	2
	SCREW - Flare to fender (Hex. soc. hd. cap $\frac{5}{16}$ " - 18 x $\frac{5}{16}$ ")	L34 Eng.		SP2571	12
	SCREW - Flare to fender (Hex. soc. hd. cap $\frac{5}{16}$ " - 18 x 1")	L34 Eng.		SP2572	2
	SCREW - Flare to air dam (Wa. hd. No. 10 - 24 x .62")	L34 Eng.		SP2056	2
8.131	SHIM — Front fender				
	SHIM	ALL		9928720	A.R.
8.132	MOULDING, PLATE, TRANSFER — Front fender				
	MOULDING	ALL		9930704	2
	CLIP PACKAGE	ALL		9930704CLP	2
	SCREW - Moulding to fender	ALL		SP2495	12
	STUD - Moulding to fender	ALL		9937627	4
	NUT - Moulding to fender	ALL		SP2443	4
	PLATE - "SL" name	UH		2818746	2
	PLATE - Engine size "2250" name	2250 Eng.		9928681	2
	PLATE - Engine size "2850" name	2850 Eng.		9928682	2
	PLATE - Engine size "3300" name	3300 Eng. exc. G Pak		9928928	2
	PLATE - Engine size "4.2 Litre" name	4.2 Litre Eng.		9931459	2
	TRANSFER - "SL/R 5000"	5 Litre Eng.		9935014	2
	BODY SIDE MOULDING PACKAGE	UG, VB, VD		9930941	1
8.143	FRONT FENDER ATTACHING PARTS				
	BOLT & WASHER ASSY. - Hex. hd. $\frac{3}{8}$ " - 18 x 1" ..	ALL		SP2013	2
	BOLT & WASHER ASSY. - Hex. hd. $\frac{3}{8}$ " - 18 x $\frac{3}{4}$ " ..	ALL		7436617	16
	NUT - $\frac{3}{8}$ " - 18 "J" type	ALL		SP1548	22
	WASHER - Fender to body side assy. (cup)	ALL		7424850	4
	WASHER - Fender to body side assy. (rubber)	ALL		7424849	4
8.153	PANEL — Front fender skirt				
	PANEL ASSY.	ALL	LH	2824515	1
			RH	2824516	1
	PLUG - Brake pipe through skirt	Drum Brakes		SP2426	2
8.154	SEAL — Front fender				
	SEAL	ALL		2825238	2
	FASTENER - Drive	ALL		SP1710	12

HOLDEN "LH" PARTS CATALOGUE

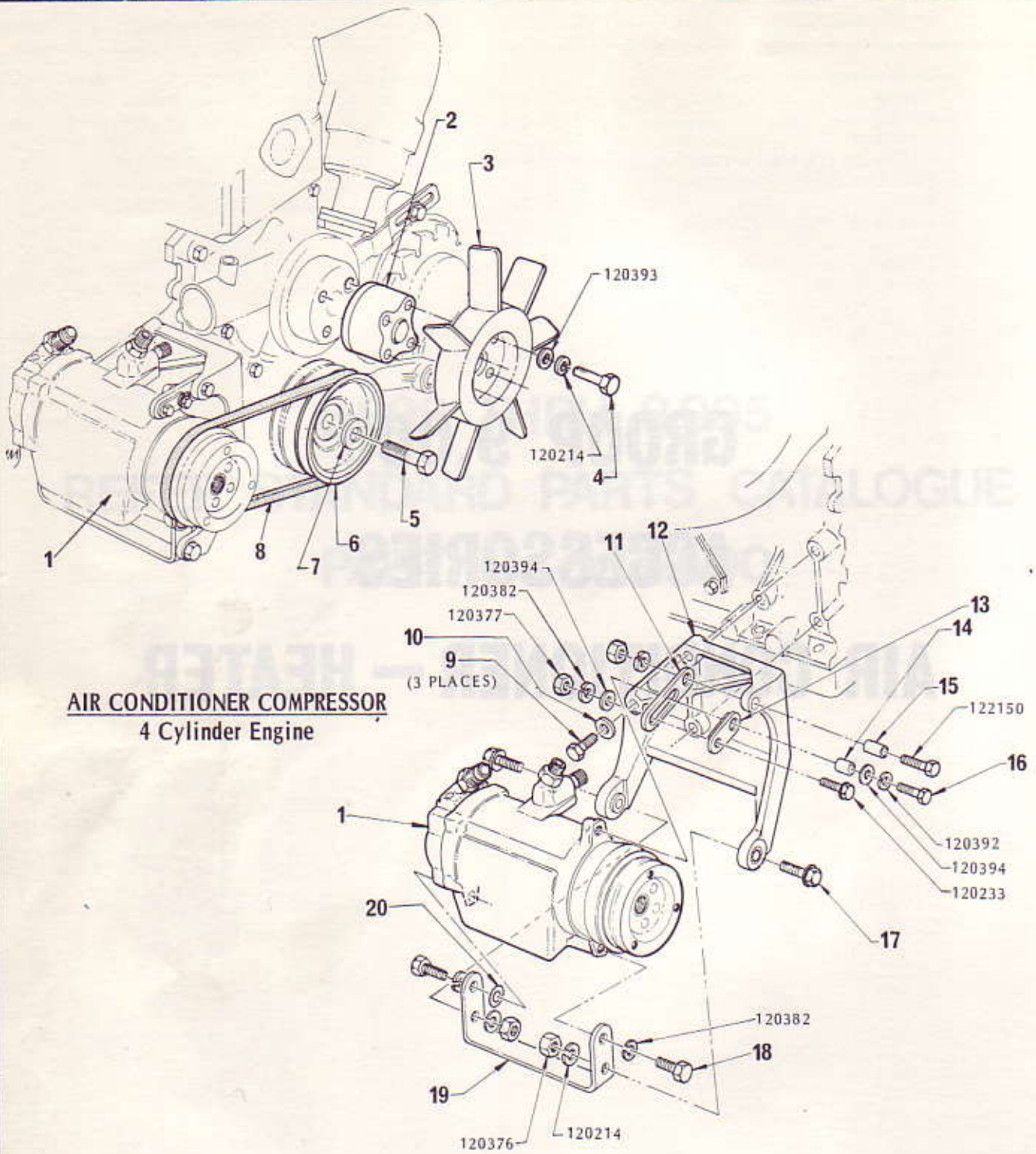
GROUP	DESCRIPTION	MODEL	SIDE	PART No.	QTY.
8.304	MOULDING, CLIP, RETAINER — Rocker panel				
	MOULDING - (Pointed one end)	UG, VB exc. G Pak	<i>2 LH</i>	9928813	2
	MOULDING - (Squared both ends)	UG, VB exc. G Pak	<i>2 LH</i>	9934700	2
	CLIP PACKAGE	UG, VB exc. G Pak		9928813CLP	2
	CLIP - Moulding (Stud type)	UG, VB exc. G Pak		7438659	16
	CLIP - Moulding (Screw type)	UG, VB exc. G Pak		7433488	16
	SCREW - Pan. hd. tap No. 4 - 24 x 3/8"	UG, VB exc. G Pak		161755	16
	CLIP - Moulding retainer	UG, VB exc. G Pak		9930893	2
	RETAINER - Moulding, front	UG, VB exc. G Pak		2815300	2
	RETAINER - Moulding, rear	UG, VB exc. G Pak		9930895	2
	NUT - Moulding to fender	UG, VB exc. G Pak		SP2443	2
8.798	WINDSHIELD WASHER COMPONENTS				
	RESERVOIR ASSY.	ALL		7434262	1
	PUMP ASSY.	ALL		7434327	1
	LEAD ASSY.	ALL		7437749	1
	VALVE ASSY.	ALL		7434379	1
	TEE	ALL		7427756	1
	NOZZLE ASSY.	ALL		2825078	2
	HOSE - Reservoir to valve	ALL		9931727	1
	HOSE - Valve to tee		RIGHT HAND DRIVE	9931728	1
			LEFT HAND DRIVE	7419195	1
	HOSE - Tee to nozzle		RIGHT HAND DRIVE	LH 7447103	1
			RH	7426356	1
			LEFT HAND DRIVE	LH 7426356	1
			RH	7447103	1
	CLIP - Hose to shroud panel	ALL		7413031	1
	CLIP - Hose to dash panel		LEFT HAND DRIVE	7413370	3
8.800	SERVICE ACCESSORIES — Maintenance				
	ADHESIVE - Plastic, 1 pint (568ml) can	ALL		7425228	A.R.
	ADHESIVE - P.V.C., 1 pint (568ml) can	ALL		7425230	A.R.
	ANTI-FREEZE - 1 Litre can	ALL		7425039	A.R.
	CEMENT - Neoprene, 6 oz tube	ALL		7425229	A.R.
	FLUID - Heavy duty brake 10 fl oz (284ml)	ALL		7448554	A.R.
	FLUID - Heavy duty brake 500ml	ALL		7448553	A.R.
	FLUID - Heavy duty brake 20 litres	ALL		M37535	A.R.
	INHIBITOR - Radiator, 8 fl oz (227.2 ml) - Use when new radiator fitted	ALL		7426874	A.R.
	INHIBITOR - Radiator, 200 ml - Use after radiator has been in service for 6000 miles	ALL		2822485	A.R.
	OPTIKLEEN - 1 pint (568ml)	ALL		M37068	A.R.
	OPTIKLEEN - 1 gallon	ALL		M37135	A.R.
	PASTE - Gasket and thermostat switch	ALL		3836540	A.R.
	PUTTY - Flexomastic	ALL		2806776	A.R.
	SEALER - Prestik No. 14, non-hardening, Black 5 strips	ALL		7425330	A.R.
	SEALER - Prestik No. 14, non-hardening, Grey 1 strip	ALL		7417028	A.R.
	SEALER - Non-hardening 1 1/2 lbs.	ALL		7438910	A.R.
	SEALER - Non-hardening 2 1/2 lbs.	ALL		7425360	A.R.
	SEALER - Plastic, 1 quart (1.136 Litres)	ALL		7425234	A.R.
	SEALING COMPOUND - Crankshaft rear bearing cap 10 fl oz (284ml)	ALL		3835215	A.R.
8.820	JACK				
	JACK ASSY.	ALL		9932379	1
8.821	WRENCH — Wheel nut				
	WRENCH	ALL		9932167	1

HOLDEN "LH" PARTS CATALOGUE

GROUP	DESCRIPTION	MODEL	SIDE	PART No.	QTY.
8.823	MANUAL - Owner, workshop				
	MANUAL - Owner	ALL		(⁴⁰ 9937107	1
	MANUAL - Owner	ALL		(⁴¹ 9940571	1
	MANUAL - Workshop	ALL		M37458	1
	MANUAL - Workshop (1900 Engine supplement)	4 Cyl. Eng.		M37532	1
	MANUAL - Workshop (4 speed "Torquemaster" supplement)	4 Cyl. Eng.		(⁴² M37601	1
	MANUAL - Workshop (Automatic transmission supplement)	(A)		M37209	1
	TAG - Caution	Superlift Shock Absorber		2825280	1
	DECAL - "Air conditioned"	Air Cond.		9933719	1
8.823	PLACARD - Tyre				
	PLACARD	4 Cyl. Eng.		9934920	1
	PLACARD	VB with 6 Cyl. Eng.		9934920	1
	PLACARD	VC with 6 Cyl. Eng.		9934921	1
	PLACARD	VD with 6 Cyl. Eng.		9934922	1
	PLACARD	VB, VC with 8 Cyl. Eng. exc. Dual Exhaust		9934922	1
	PLACARD	VB, VC with 4.2 Litre Eng. Dual Exhaust ...		9934923	1
	PLACARD	VD with 4.2 Litre Eng.		9934923	1
	PLACARD	5 Litre exc. L34 Eng.		9939098	1
	PLACARD	L34 Eng.		9937548	1
8.823	TEMPLATE - G Pak transfer				
	TEMPLATE	G Pak		M37616	1

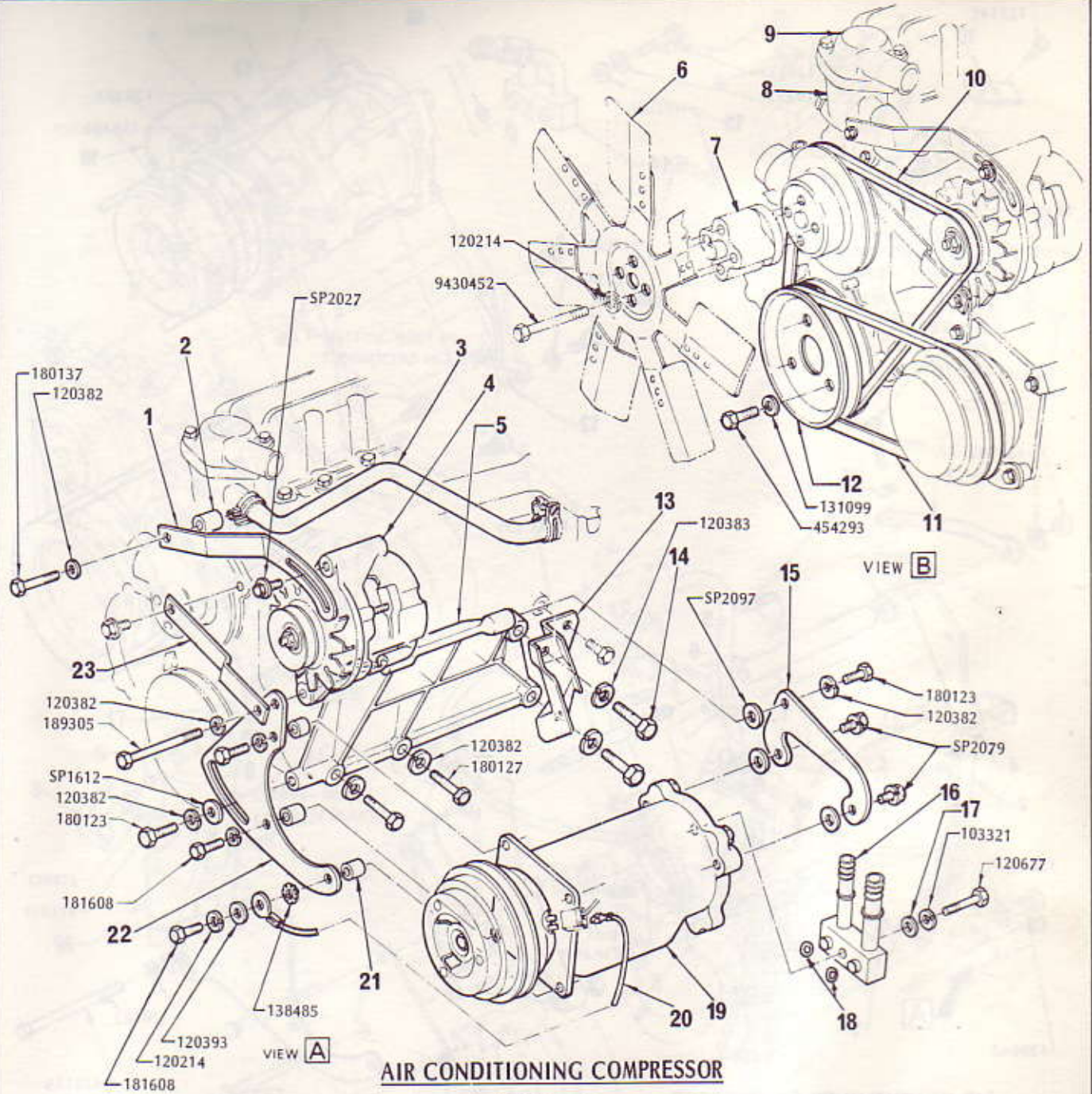
Note: (³³ Use with 2nd type transmission.
 (⁴⁰ Prior to ADR4C.
 (⁴¹ Use with ADR4C

8.899 THRU 8.995
REFER STANDARD PARTS CATALOGUE
PART No. M37600



AIR CONDITIONER COMPRESSOR
4 Cylinder Engine

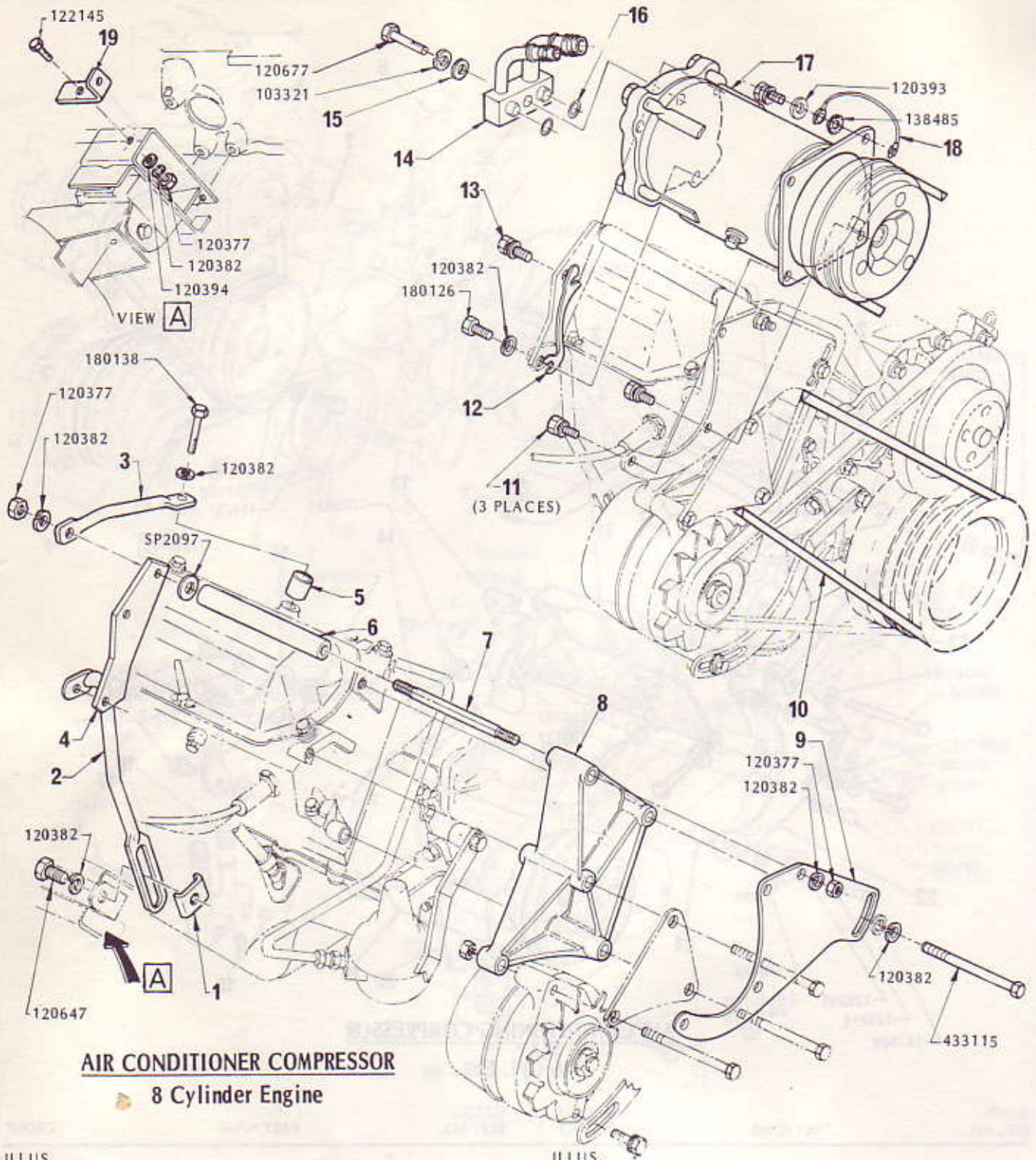
ILLUS. REF. NO.	PART NAME	GROUP	ILLUS. REF. NO.	PART NAME	GROUP
1.	COMPRESSOR ASSY.	9.170	11.	PLATE - Compressor support.....	9.171
2.	SPACER - Fan blade	1.064	12.	SUPPORT - Compressor mounting	9.171
3.	BLADE - Fan	1.064	13.	PLATE - Compressor locking	9.171
4.	BOLT - Fan blade	1.064	14.	SPACER - Comp. support - outer	9.171
5.	BOLT - Pulley to crankshaft	0.659	15.	SPACER - Comp. support - inner	9.171
6.	PULLEY - Air Cond. - drive	0.659	16.	BOLT - Support plate	9.171
7.	WASHER - Thrust	0.659	17.	BOLT - Mounting bracket to support	9.171
8.	BELT - Compressor	9.180	18.	BOLT - Comp. to mounting bracket.....	9.171
9.	BOLT - Comp. supt. to engine	9.171	19.	BRACKET - Compressor mounting.....	9.171
10.	WASHER - Comp. supt. to eng. bolt.....	9.171	20.	WASHER - Mounting bracket	9.171



AIR CONDITIONING COMPRESSOR

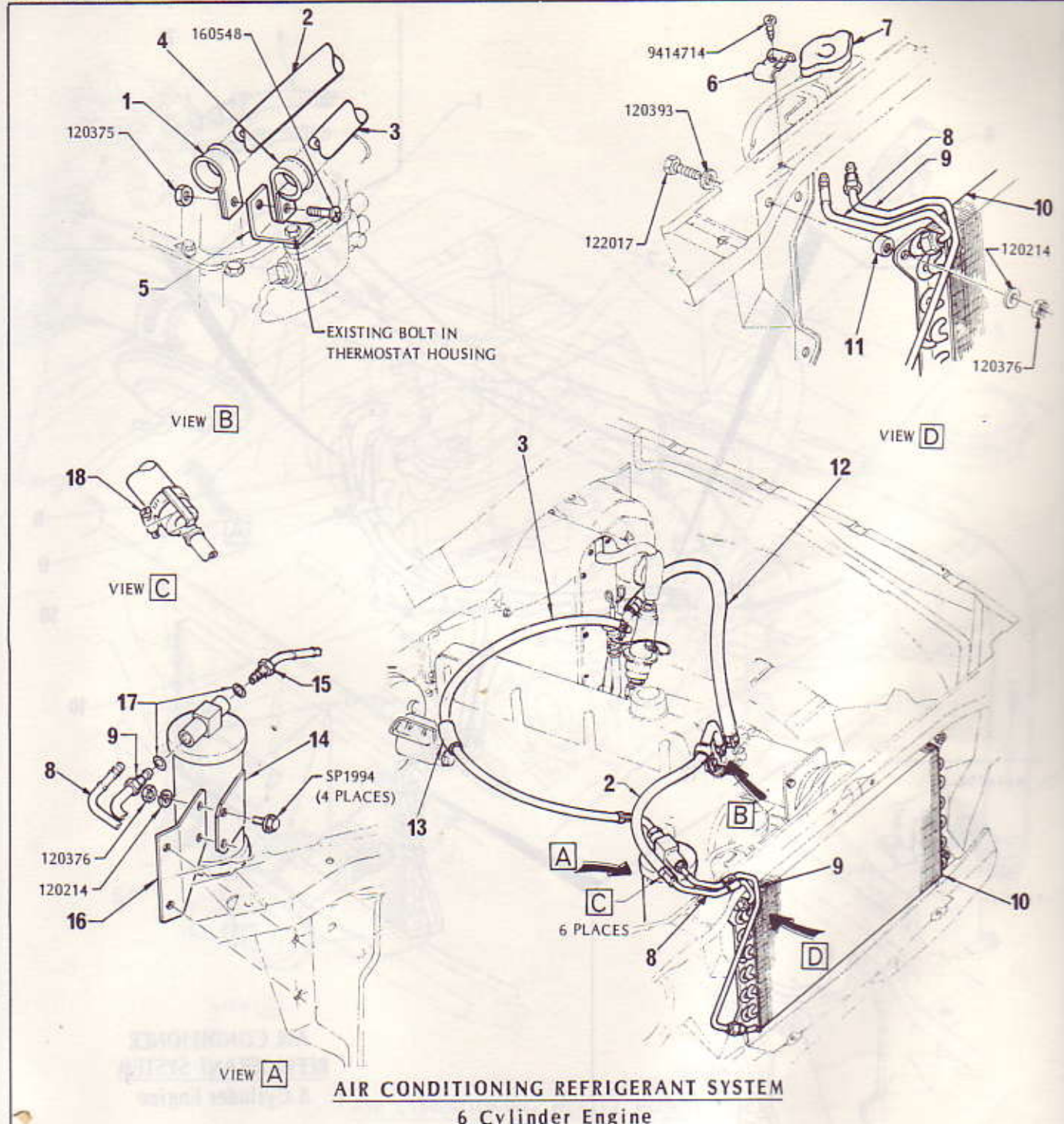
6 Cyl. Eng.

ILLUS. REF. NO.	PART NAME	GROUP	ILLUS. REF. NO.	PART NAME	GROUP
1.	BRACE - Generator	2.317	13.	BRACKET ASSY. - Front mounting	0.027
2.	SPACER - Brace to thermo housing	2.317	14.	BOLT - Bracket to engine	9.171
3.	HOSE - Inlet manifold water	3.260	15.	BRACKET - Comp. rear	9.171
4.	GENERATOR ASSY.	2.275	16.	FITTING ASSY.	9.170
5.	SUPPORT - Compressor	9.171	17.	WASHER - Fitting to compressor	9.170
6.	BLADE ASSY. - Fan	1.064	18.	'O' RING - Fitting to compressor	9.170
7.	SPACER - Fan blade	1.064	19.	COMPRESSOR ASSY.	9.170
8.	HOUSING - Thermostat	1.251	20.	LEAD ASSY. - Earth	9.170
9.	OUTLET - Cyl. head water	1.153	21.	SPACER - Front bracket	9.171
10.	BELT - Fan & generator	1.066	22.	BRACKET - Comp. front	9.171
11.	BELT - Compressor	9.180	23.	BRACE - Front	9.171
12.	PULLEY - Crankshaft	0.659			



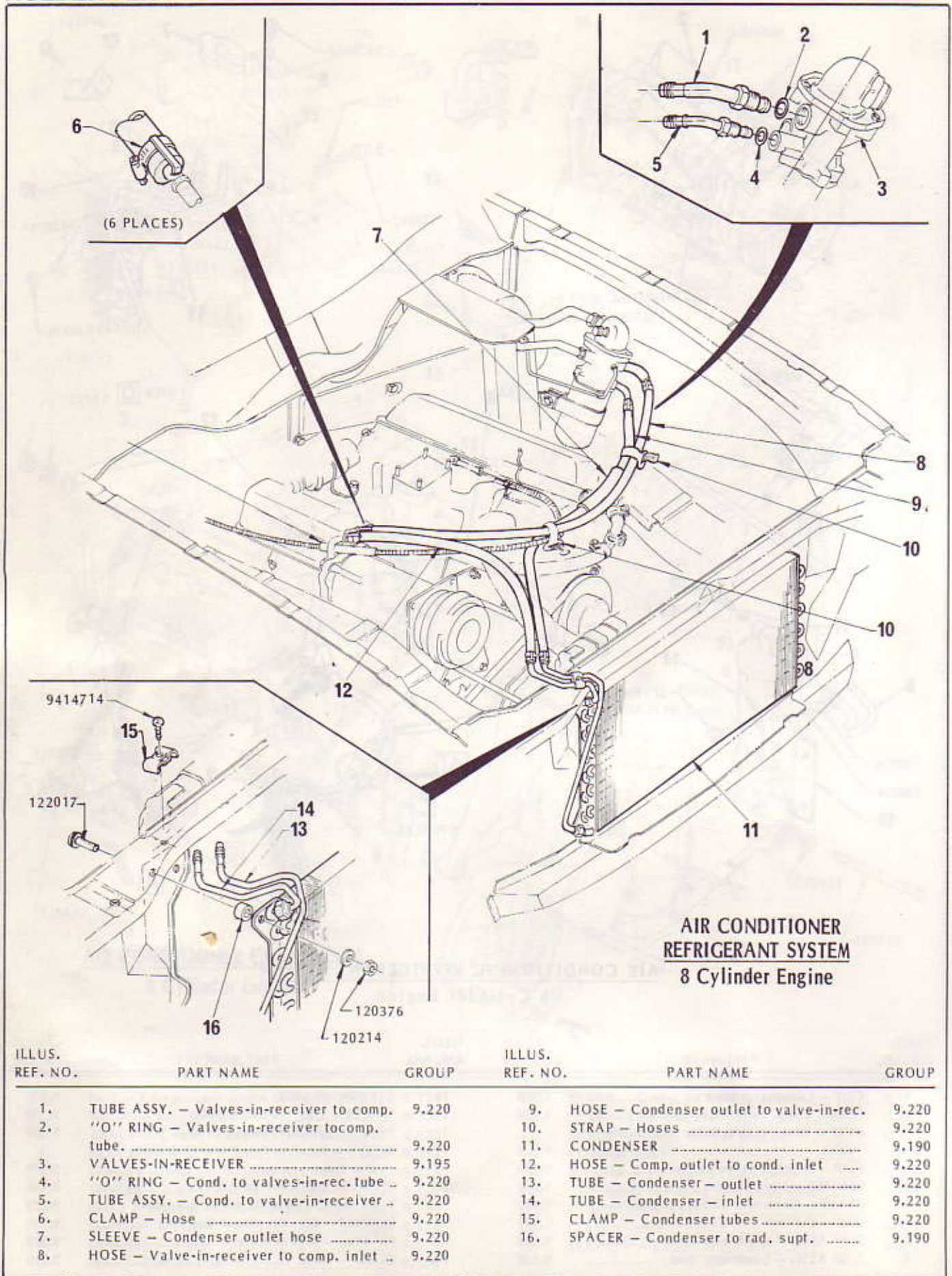
AIR CONDITIONER COMPRESSOR
 8 Cylinder Engine

ILLUS. REF. NO.	PART NO.	GROUP	ILLUS. REF. NO.	PART NAME	GROUP
1.	NUT - Compressor brace to frame bkt.	9.171	11.	SCREW - Comp. to front bracket	9.171
2.	BRACE - Compressor - Rear	9.171	12.	SHIM - Rear bracket	9.171
3.	BRACE - Comp. - Rear to inlet manifold	9.171	13.	SCREW - Comp. to rear bracket	9.171
4.	BRACKET - Rear	9.171	14.	FITTING ASSY.	9.170
5.	SPACER - Bracket to inlet manifold	9.171	15.	WASHER - Fitting to compressor	9.170
6.	SPACER - Comp. bracket to support	9.171	16.	"O" RING - Fitting to compressor	9.170
7.	STUD - Front & rear bracket to supt.	9.171	17.	COMPRESSOR ASSY.	9.170
8.	SUPPORT - Front	9.171	18.	LEAD - Earth	9.170
9.	BRACKET - Front	9.171	19.	BRACKET - Comp. brace R.H.	9.171
10.	BELT - Compressor	9.180			



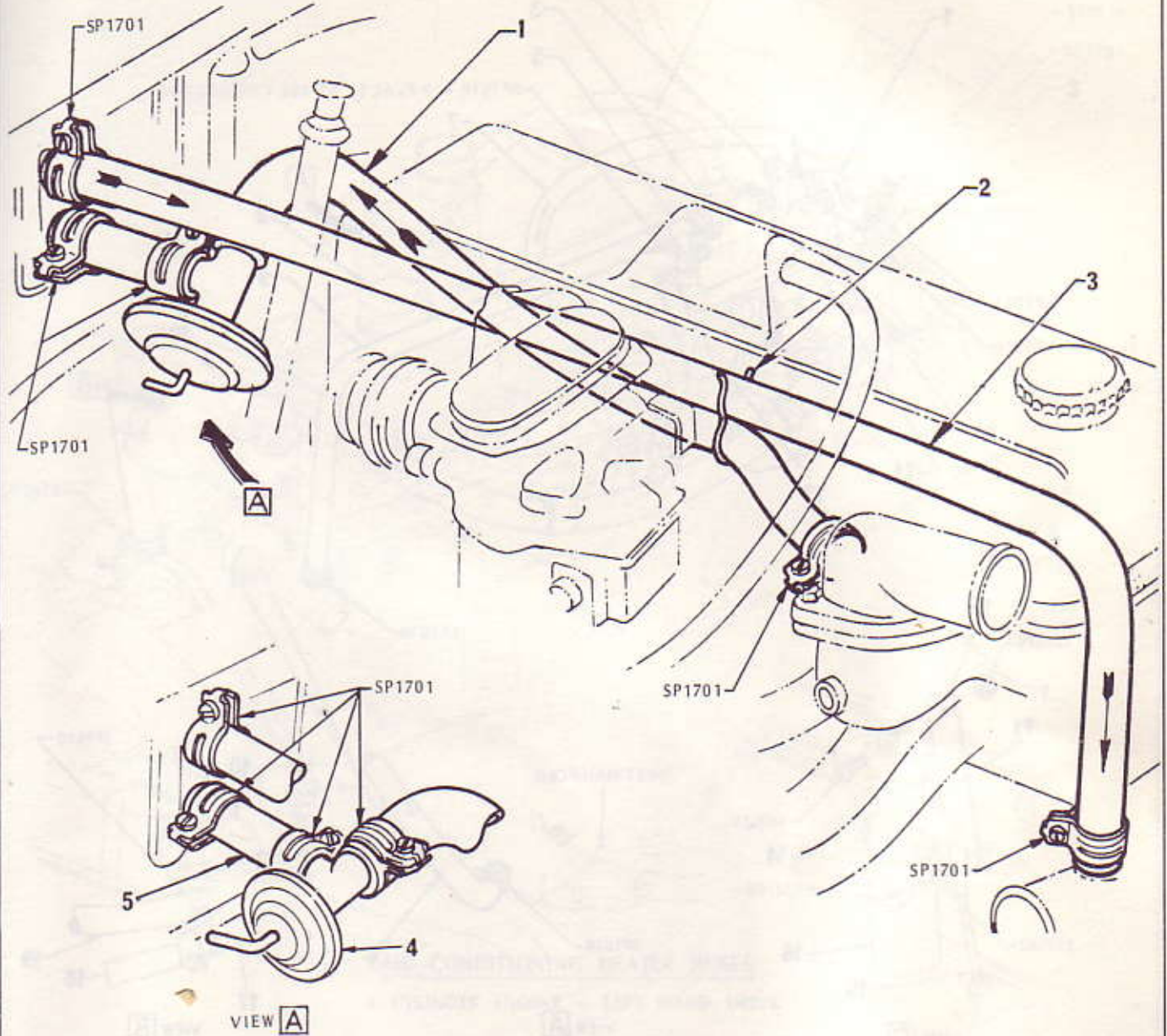
AIR CONDITIONING REFRIGERANT SYSTEM
6 Cylinder Engine

ILLUS. REF. NO.	PART NAME	GROUP	ILLUS. REF. NO.	PART NAME	GROUP
1.	CLIP - Compressor hose	9.220	10.	CONDENSER ASSY.	9.190
2.	HOSE - Comp. outlet to cond. inlet	9.220	11.	SPACER - Cond. to rad. support	9.190
3.	HOSE - Receiver dehydrator to modulex valve	9.220	12.	HOSE - P.O.A.S.T. valve to comp.	9.220
4.	CLIP - Receiver dehydrator hose	9.220	13.	SLEEVE - Receiver dehydrator to modulex valve hose	9.220
5.	BRACKET - Hose support	9.220	14.	RECEIVER DEHYDRATOR ASSY.	9.195
6.	CLAMP - Condenser tubes	9.220	15.	TUBE ASSY. - Receiver dehydrator outlet	9.220
7.	CAP - Radiator	1.203	16.	BRACKET - Rec. dehydrator mounting	9.195
8.	TUBE ASSY. - Condenser outlet	9.220	17.	'O' RING - Rec. dehydrator	9.220
9.	TUBE ASSY. - Condenser inlet	9.220	18.	CLAMP - Hose	9.220



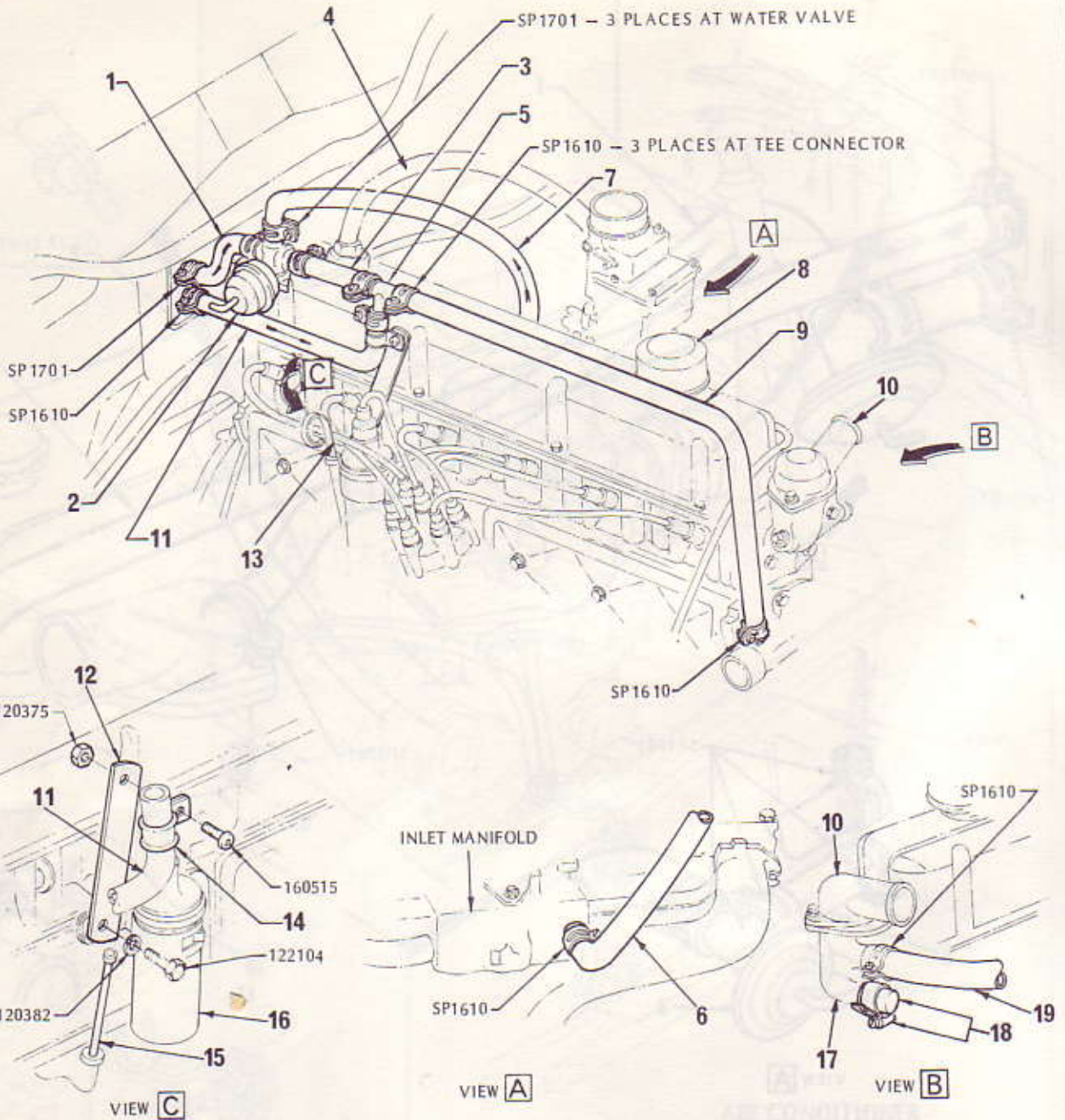
**AIR CONDITIONER
REFRIGERANT SYSTEM
8 Cylinder Engine**

ILLUS. REF. NO.	PART NAME	GROUP	ILLUS. REF. NO.	PART NAME	GROUP
1.	TUBE ASSY. - Valves-in-receiver to comp.	9.220	9.	HOSE - Condenser outlet to valve-in-rec.	9.220
2.	"O" RING - Valves-in-receiver to comp. tube.	9.220	10.	STRAP - Hoses	9.220
3.	VALVES-IN-RECEIVER	9.195	11.	CONDENSER	9.190
4.	"O" RING - Cond. to valves-in-rec. tube ..	9.220	12.	HOSE - Comp. outlet to cond. inlet	9.220
5.	TUBE ASSY. - Cond. to valve-in-receiver ..	9.220	13.	TUBE - Condenser - outlet	9.220
6.	CLAMP - Hose	9.220	14.	TUBE - Condenser - inlet	9.220
7.	SLEEVE - Condenser outlet hose	9.220	15.	CLAMP - Condenser tubes	9.220
8.	HOSE - Valve-in-receiver to comp. inlet ..	9.220	16.	SPACER - Condenser to rad. supt.	9.190



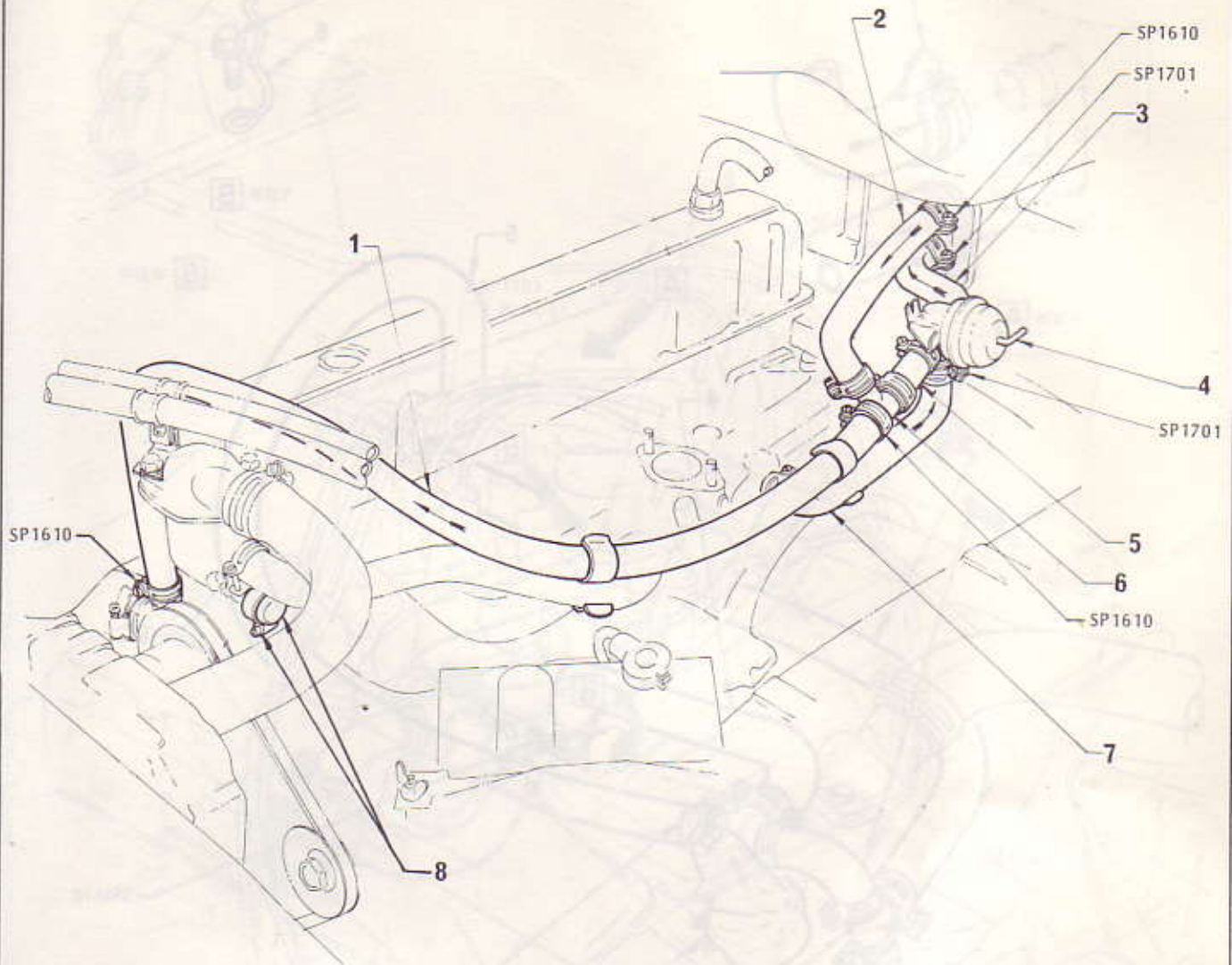
**AIR CONDITIONING HEATER HOSES
4 CYLINDER ENGINE**

ILLUS. REF. NO.	PART NAME	GROUP
1.	HOSE - Water valve to thermostat housing	9.220
2.	CLIP - Heater hose	9.220
3.	HOSE - Heater outlet to water pump	9.220
4.	VALVE ASSY. - Heater water	9.275
5.	HOSE - Heater inlet to valve	9.220



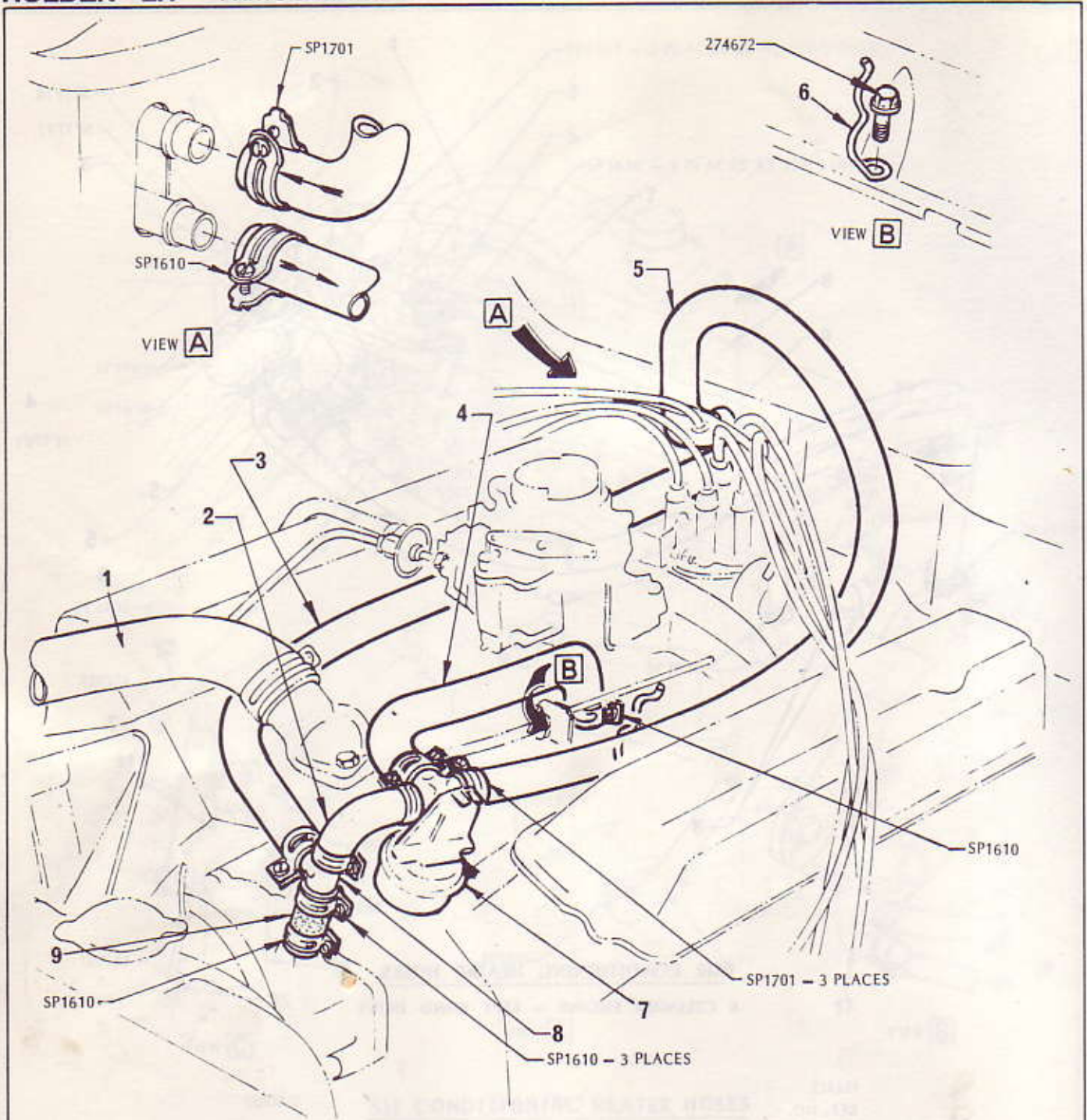
AIR CONDITIONING HEATER HOSES
6 Cylinder Engine, Right Hand Drive

ILLUS. REF. NO.	PART NAME	GROUP	ILLUS. REF. NO.	PART NAME	GROUP
1.	HOSE - Water valve to heater	9.220	11.	HOSE - Heater to tee	9.220
2.	VALVE - Heater water	9.275	12.	BRACKET - Hose support	9.220
3.	HOSE - Water valve to tee	9.220	13.	INDICATOR - Oil level	1.516
4.	HOSE - Crankcase ventilator	1.762	14.	CLIP - Hose support bracket	9.220
5.	TEE - Water hose connector	9.220	15.	TUBE - Oil level indicator	1.516
6.	HOSE - Manifold to water valve	9.220	16.	COIL - Ignition	2.170
7.	CARBURETTOR ASSY.	3.725	17.	HOUSING - Thermostat	1.251
8.	CAP - Oil filler	1.516	18.	SEAL KIT - Heater hose connection	1.069
9.	HOSE - Tee to water pump	9.220	19.	HOSE - Inlet manifold water	3.260
10.	OUTLET - Cyl. head water	1.153			



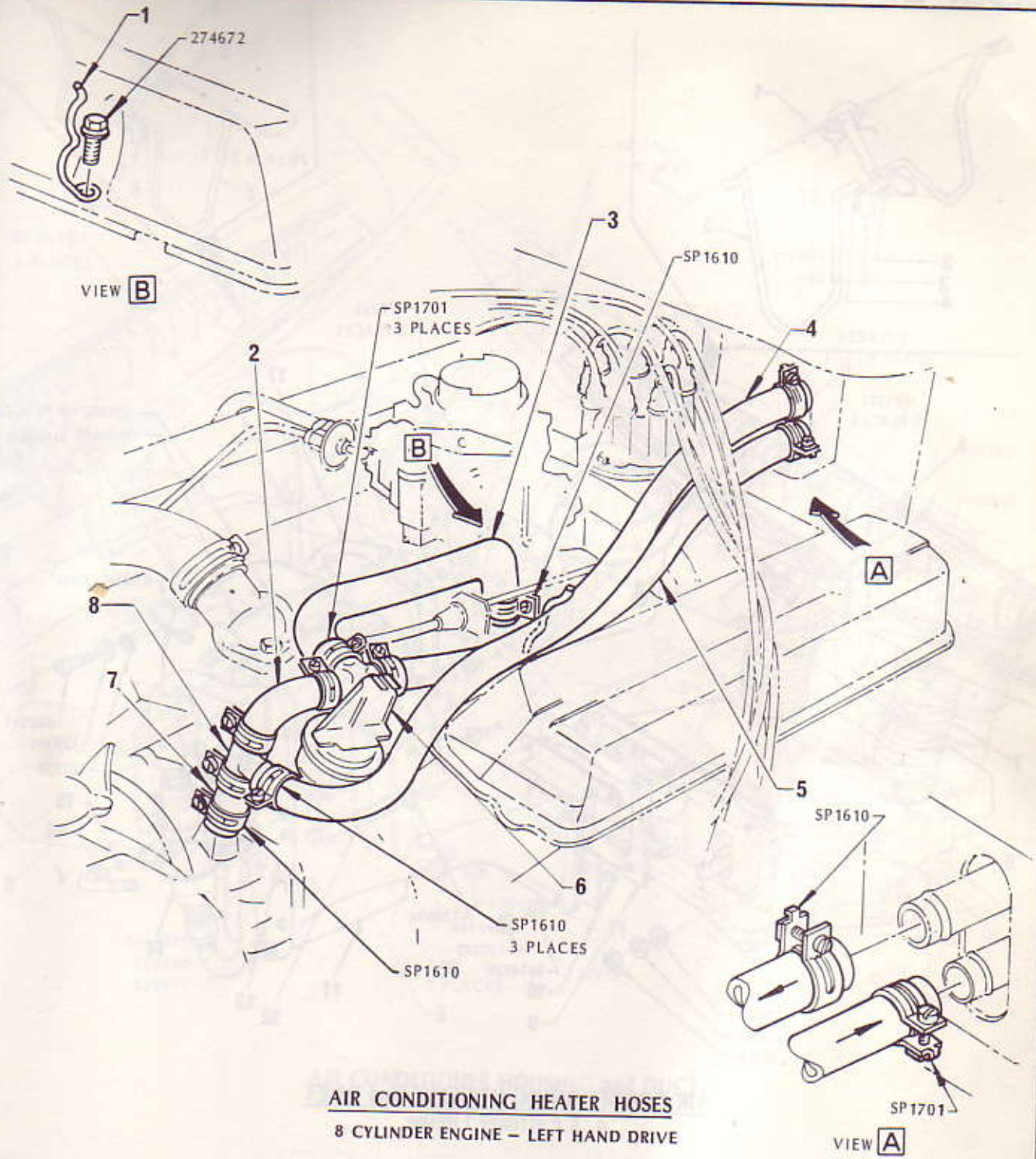
AIR CONDITIONING HEATER HOSES
6 CYLINDER ENGINE - LEFT HAND DRIVE

ILLUS. REF. NO.	PART NAME	GROUP
1.	HOSE - Tee to water pump	9.220
2.	HOSE - Heater to tee	9.220
3.	HOSE - Water valve to heater	9.220
4.	VALVE - Heater water	9.275
5.	HOSE - Water valve to tee	9.220
6.	TEE - Water hose connector	9.220
7.	HOSE - Manifold to water valve	9.220
8.	SEAL KIT - Heater hose connection	1.069



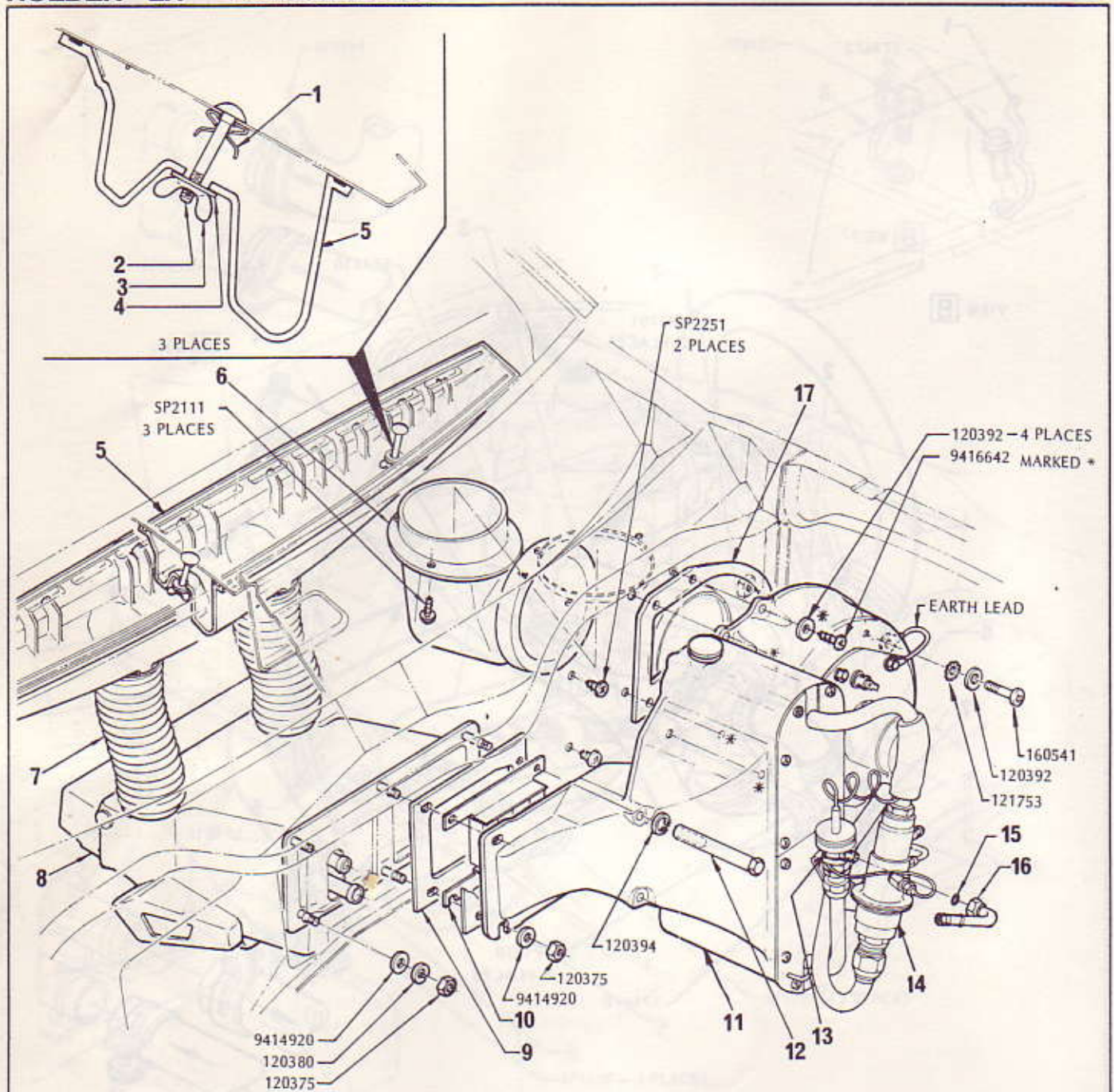
**AIR CONDITIONING HEATER HOSES
8 Cylinder Engine - Right Hand Drive**

ILLUS. REF. NO.	PART NAME	GROUP	ILLUS. REF. NO.	PART NAME	GROUP
1.	HOSE - Radiator - Inlet	1.159	6.	CLIP - Heater inlet hose to rocker cover	9.220
2.	HOSE - Water valve to tee	9.220	7.	VALVE ASSY. - Heater water	9.275
3.	HOSE - Heater outlet to tee	9.220	8.	TEE - Water hose connector	9.220
4.	HOSE - Manifold outlet to water valve	9.220	9.	HOSE - Water pump to tee	9.220
5.	HOSE - Water valve to heater inlet	9.220			



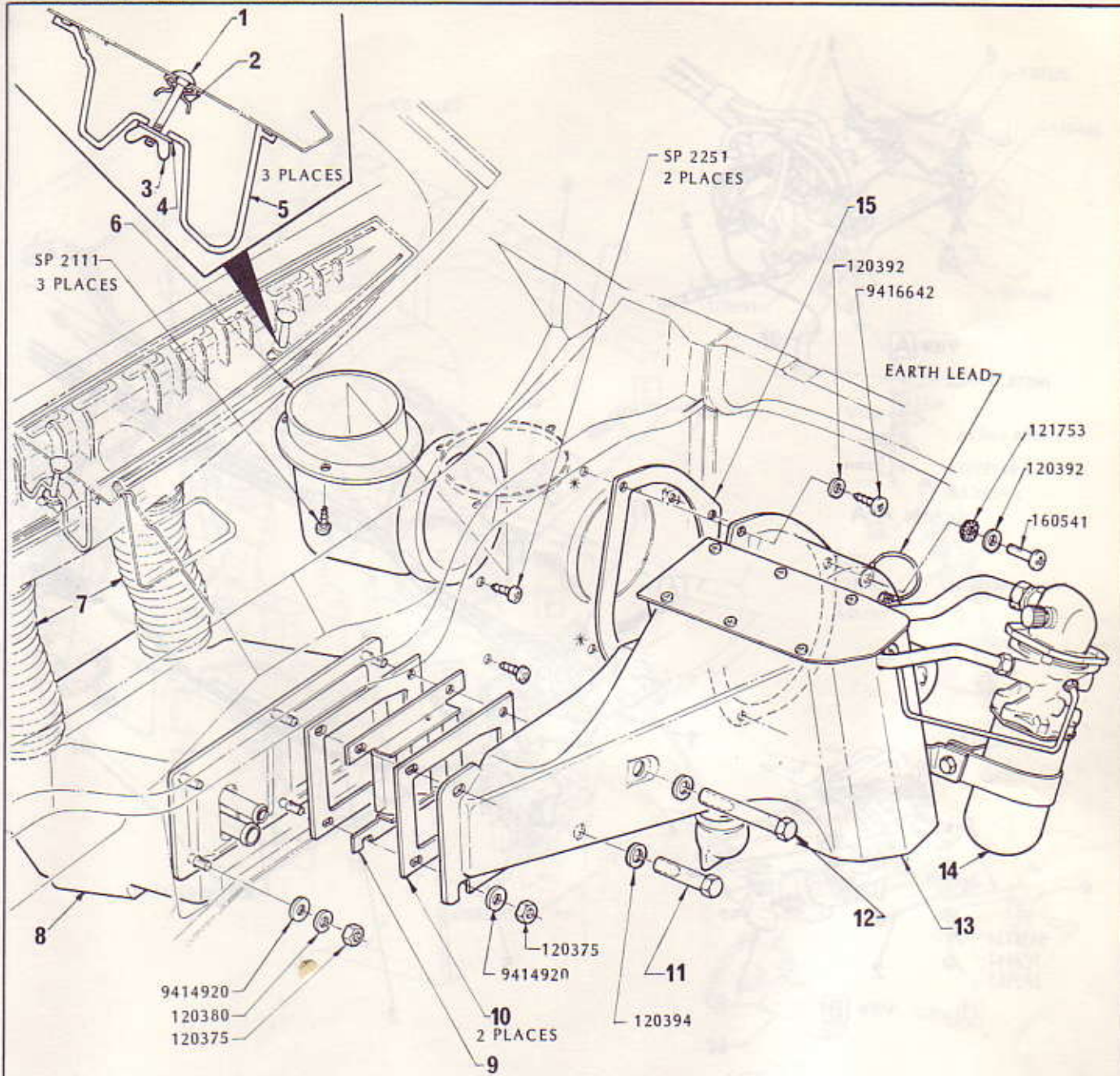
AIR CONDITIONING HEATER HOSES
8 CYLINDER ENGINE - LEFT HAND DRIVE

ILLUS. REF. NO.	PART NAME	GROUP	ILLUS. REF. NO.	PART NAME	GROUP
1.	CLIP - Inlet hose to rocker cover	9.220	5.	HOSE - Heater outlet to tee	9.220
2.	HOSE - Water valve to tee	9.220	6.	VALVE ASSY. - Heater valve	9.275
3.	HOSE - Manifold outlet to water valve....	9.220	7.	HOSE - Water pump to tee.....	9.220
4.	HOSE - Water valve to heater inlet.....	9.220	8.	TEE - Water hose connector	9.220



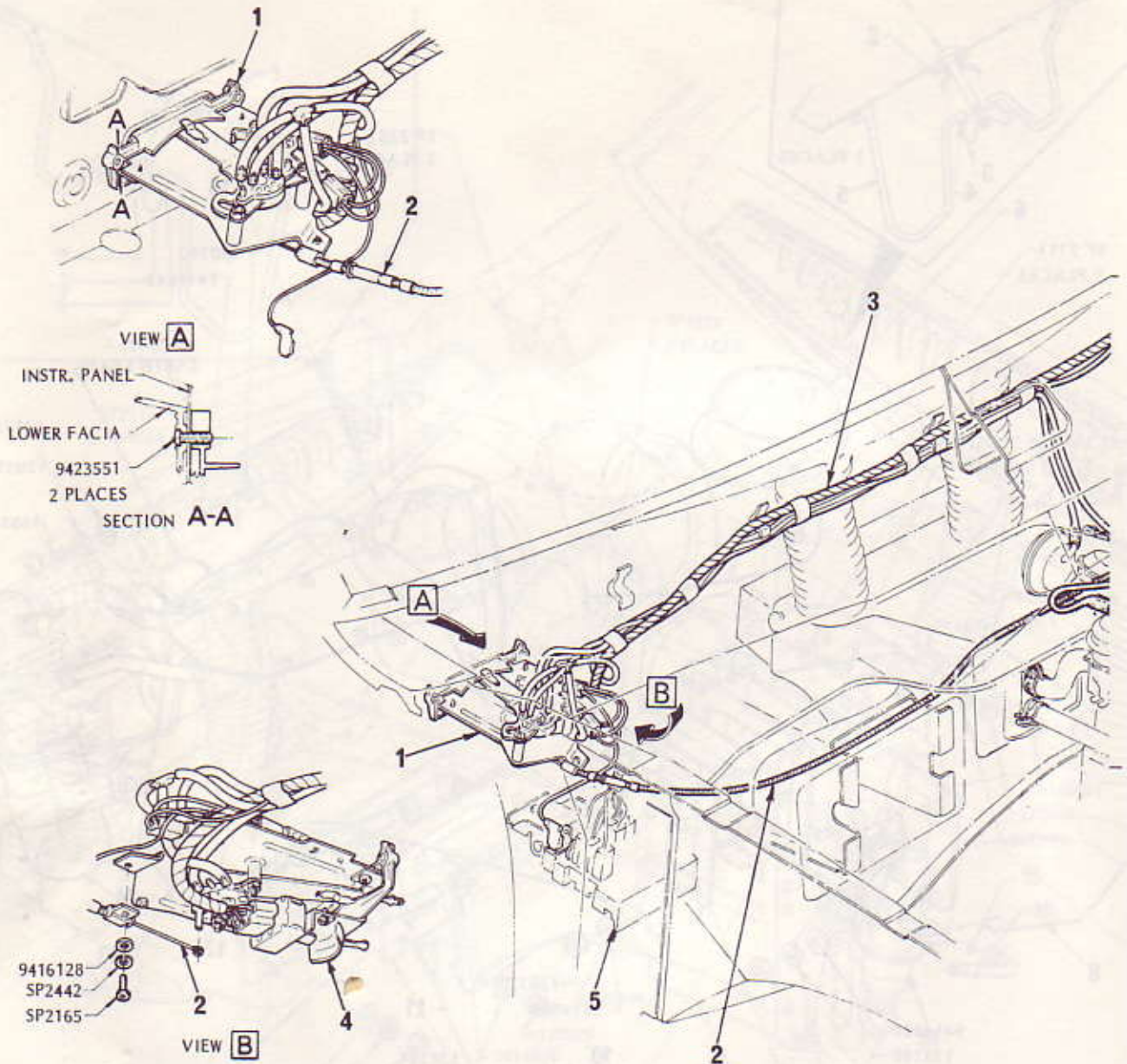
AIR CONDITIONING HOUSING and DUCT
4, 6 Cylinder Engine

ILLUS. REF. NO.	PART NAME	GROUP	ILLUS. REF. NO.	PART NAME	GROUP
1.	NUT - Demist duct attaching	9.779	10.	DEFLECTOR - Housing air	9.169
2.	BOLT - Demist duct to inst. panel	9.779	11.	HOUSING - Evaporator & blower	9.169
3.	NUT - Wing	9.779	12.	BOLT - Housing to heater case	9.169
4.	WASHER - Demist duct attaching	9.779	13.	VALVE - Modulex	9.213
5.	DUCT ASSY. - Demist	9.779	14.	VALVE - P.O.A.S.T.	9.198
6.	INLET ASSY. - Air	9.211	15.	'O' RING - Modulex valve inlet	9.220
7.	TUBE - Heater to demist duct	9.779	16.	TUBE ASSY. - Modulex valve inlet	9.220
8.	CASE - Heater	9.779	17.	GASKET - Housing to air intake	9.169
9.	GASKET - Housing to heater	9.169			



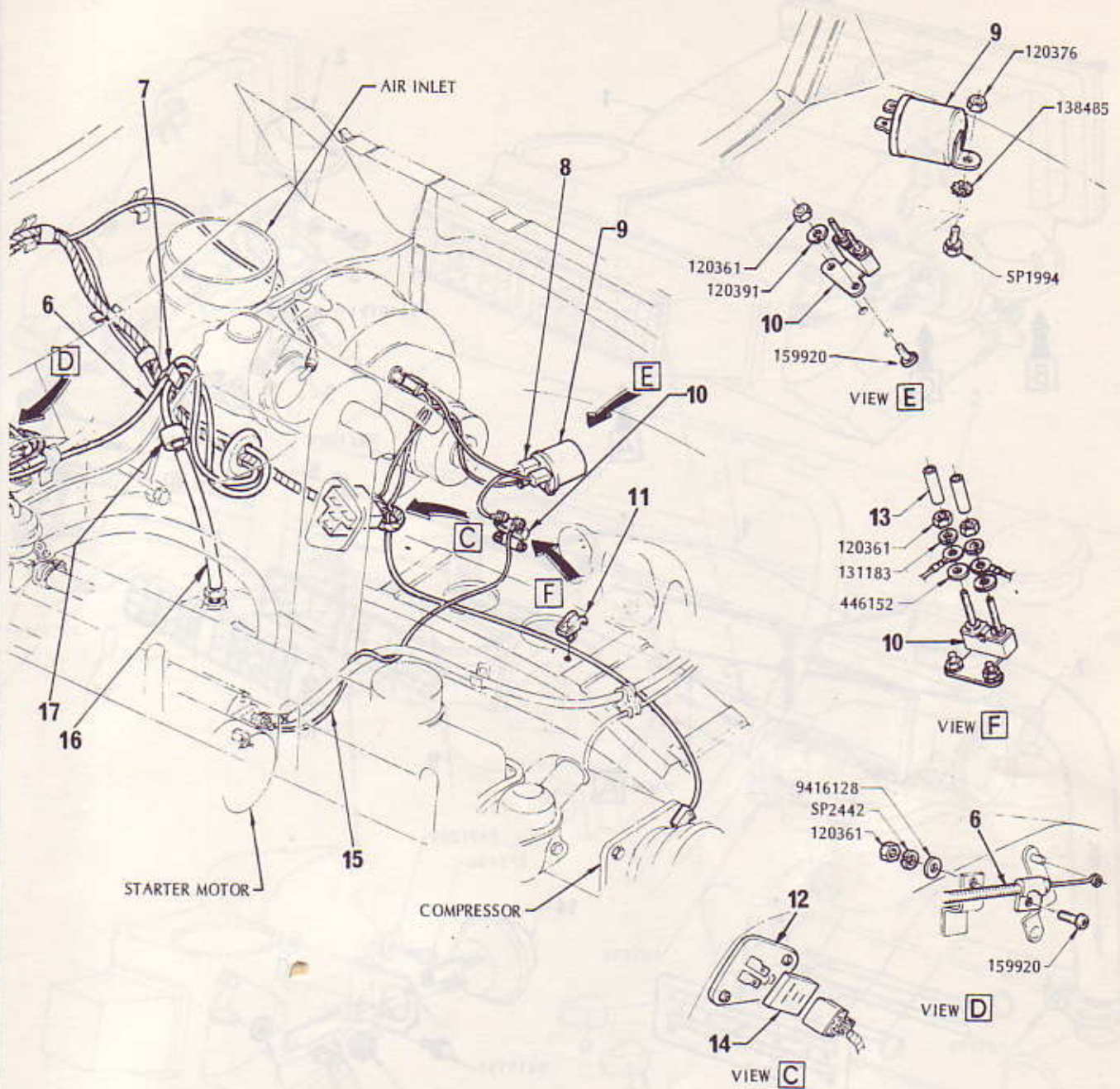
AIR CONDITIONER HOUSING and DUCT
8 Cylinder Engine

ILLUS. REF. NO.	PART NAME	GROUP	ILLUS. REF. NO.	PART NAME	GROUP
1.	NUT - Demist duct attaching	9.779	9.	DEFLECTOR - Housing air	9.169
2.	BOLT - Demist duct to inst. panel	9.779	10.	GASKET - Housing to heater	9.169
3.	NUT - Wing	9.779	11.	BOLT - Housing to heater case	9.169
4.	WASHER - Demist duct attaching	9.779	12.	BOLT - Housing to heater case	9.169
5.	DUCT ASSY. - Demist	9.779	13.	HOUSING - Evaporator & blower	9.169
6.	INLET ASSY. - Air	9.211	14.	VALVES - In - Receiver assy.	9.195
7.	TUBE - Heater to demist duct	9.779	15.	GASKET - Housing to air intake	9.169
8.	CASE - Heater	9.779			



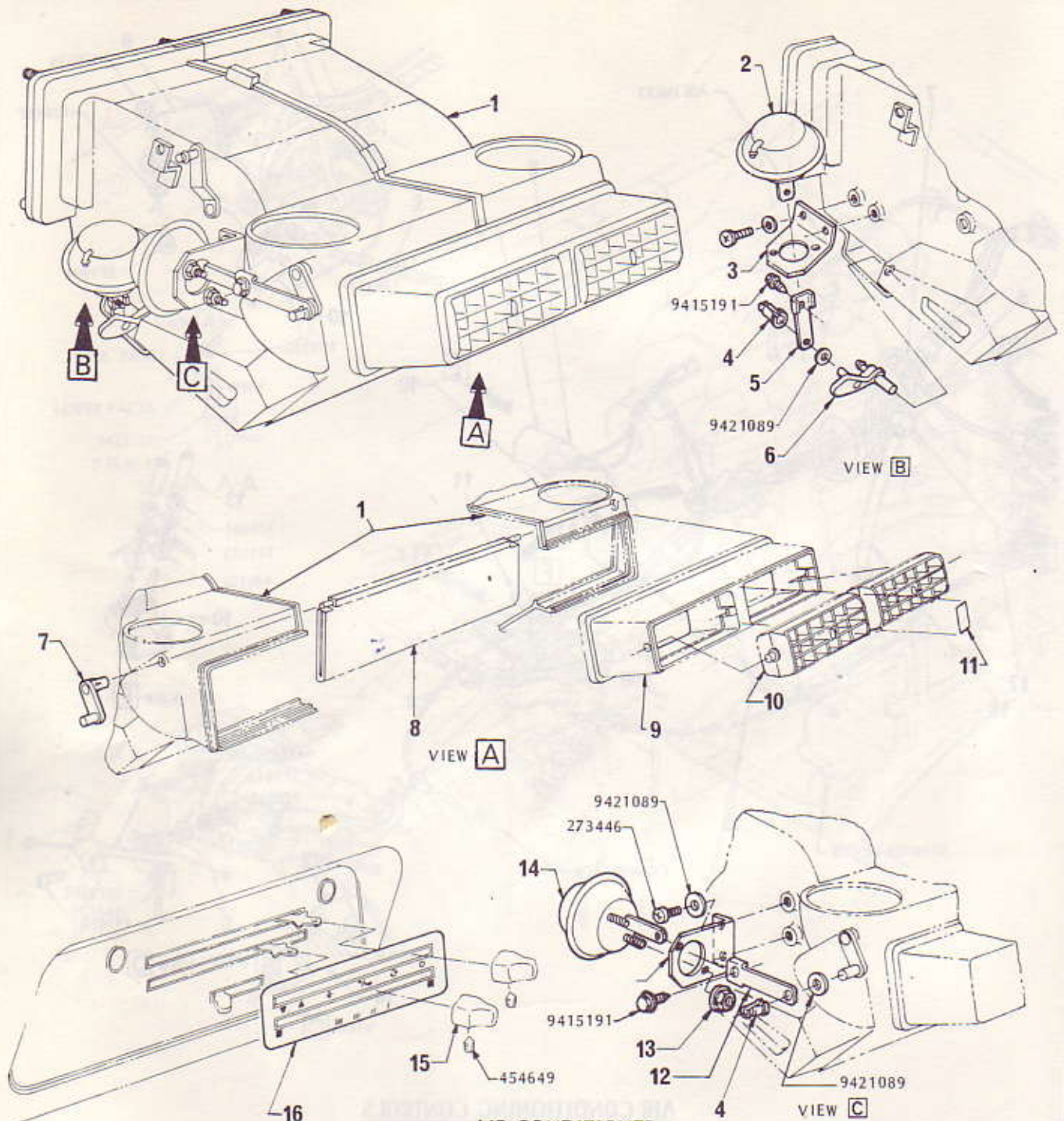
AIR CONDITIONING CONTROLS

ILLUS. REF. NO.	PART NAME	GROUP	ILLUS. REF. NO.	PART NAME	GROUP
1.	CONTROL ASSY.	9.779	4.	SWITCH ASSY. - Fan	9.275
2.	CABLE ASSY. - Heater control	9.779	5.	PANEL - Instrument harness fuse	2.481
3.	HARNESS ASSY. - Vacuum hose & wiring..	9.276			



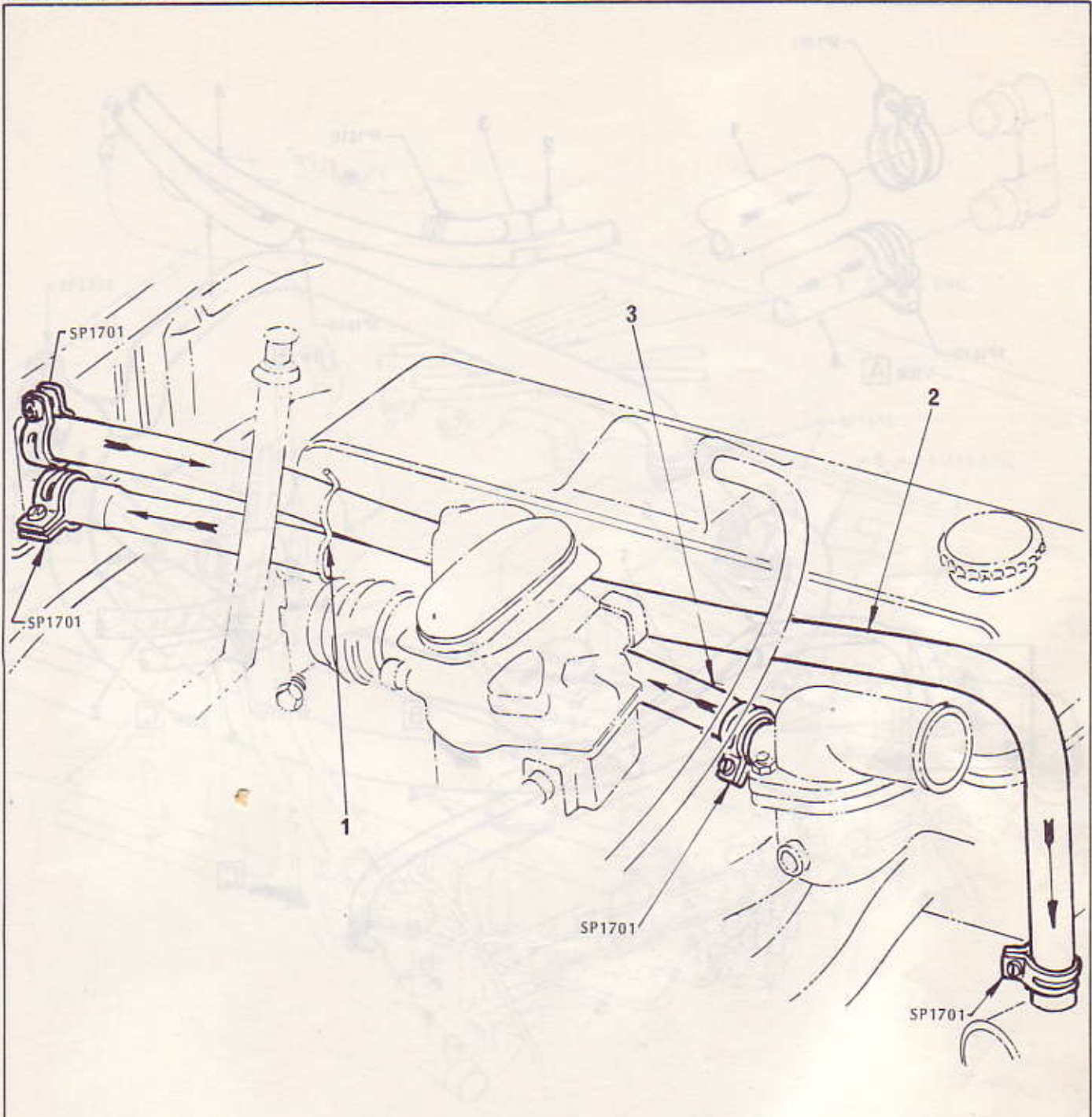
AIR CONDITIONING CONTROLS

ILLUS. REF. NO.	PART NAME	GROUP	ILLUS. REF. NO.	PART NAME	GROUP
6.	CABLE ASSY. — Heater control	9.779	12.	RESISTOR ASSY.	9.275
7.	TEE — Vacuum hose connector	9.281	13.	SLEEVE — Circuit breaker stud	9.275
8.	LEAD ASSY. — Circuit breaker to relay	9.276	14.	SEAL — Resistor	9.275
9.	RELAY ASSY.	9.275	15.	LEAD ASSY. — Starter motor to circuit breaker	9.276
10.	CIRCUIT BREAKER ASSY.	9.275	16.	HOSE — Inlet manifold to vacuum check valve	9.281
11.	CLIP — Compressor lead to side member	9.276	17.	VALVE ASSY. — Vacuum check	9.280



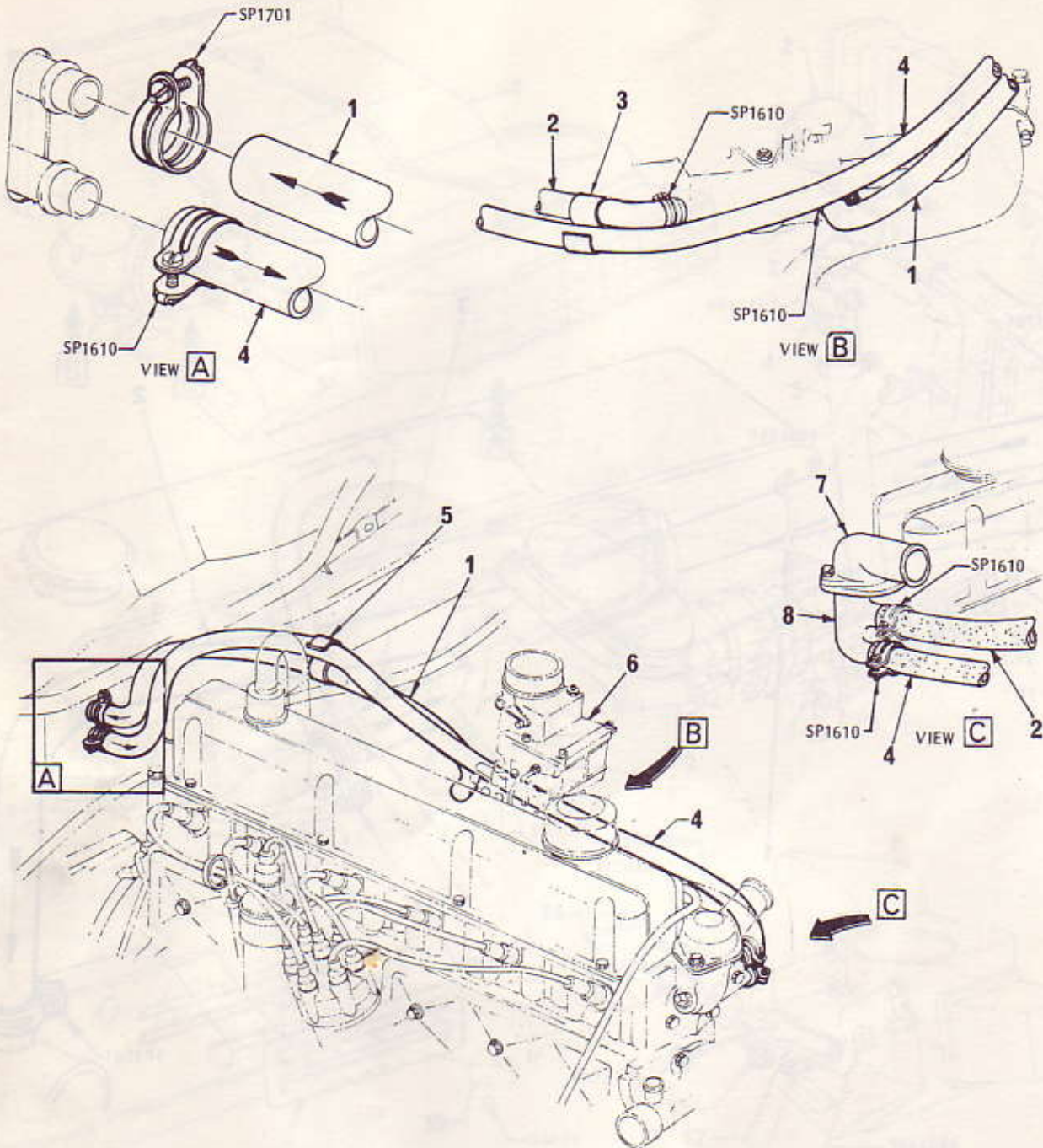
**AIR CONDITIONER
HEATER CASE and VACUUM ACTUATORS**

ILLUS. REF. NO.	PART NAME	GROUP	ILLUS. REF. NO.	PART NAME	GROUP
1.	CASE	9.779	10.	VANE - Vent outlet	9.779
2.	ACTUATOR - Interior control	9.280	11.	INSERT - Outlet housing	9.262
3.	BRACKET - Interior control	9.280	12.	LINK - Demist control	9.280
4.	CLIP - Actuator link retainer	9.280	13.	NUT - Flanged	9.280
5.	LINK - Interior control	9.280	14.	ACTUATOR - Demist control	9.280
6.	LEVER - Interior door	9.280	15.	KNOB - Mode, temp. control	9.278
7.	LEVER - Demist door	9.280	16.	FACIA - Control	9.278
8.	DOOR ASSEMBLY - Demist	9.280			
9.	HOUSING ASSEMBLY - Vent outlet	9.779			
10.					



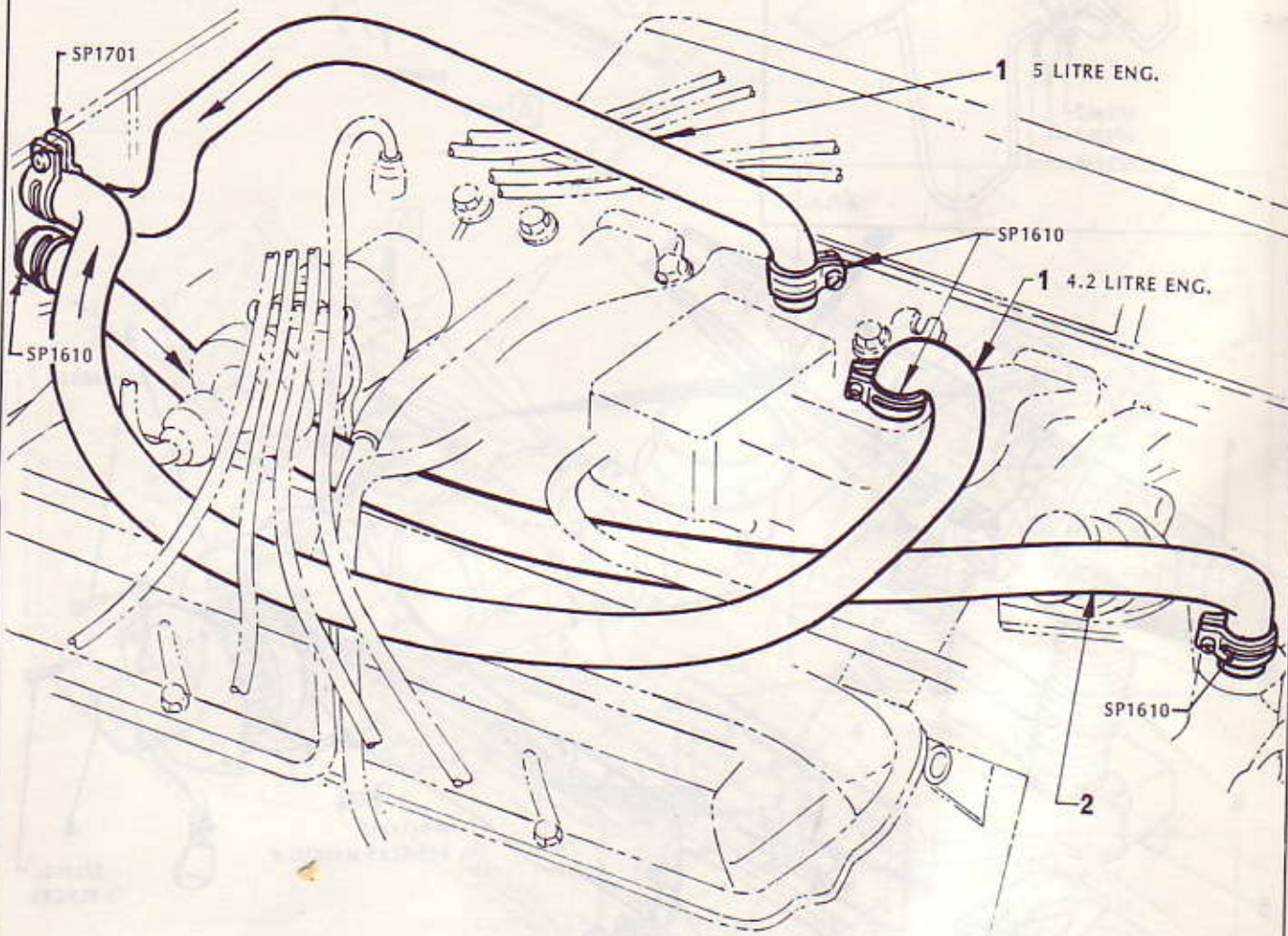
HEATER HOSES
4 CYLINDER ENGINE

ILLUS. REF. NO.	PART NAME	GROUP
1.	CLIP - Heater hoses to rocker cover	9.779
2.	HOSE - Heater outlet to water pump	9.779
3.	HOSE - Heater inlet to thermostat housing	9.779



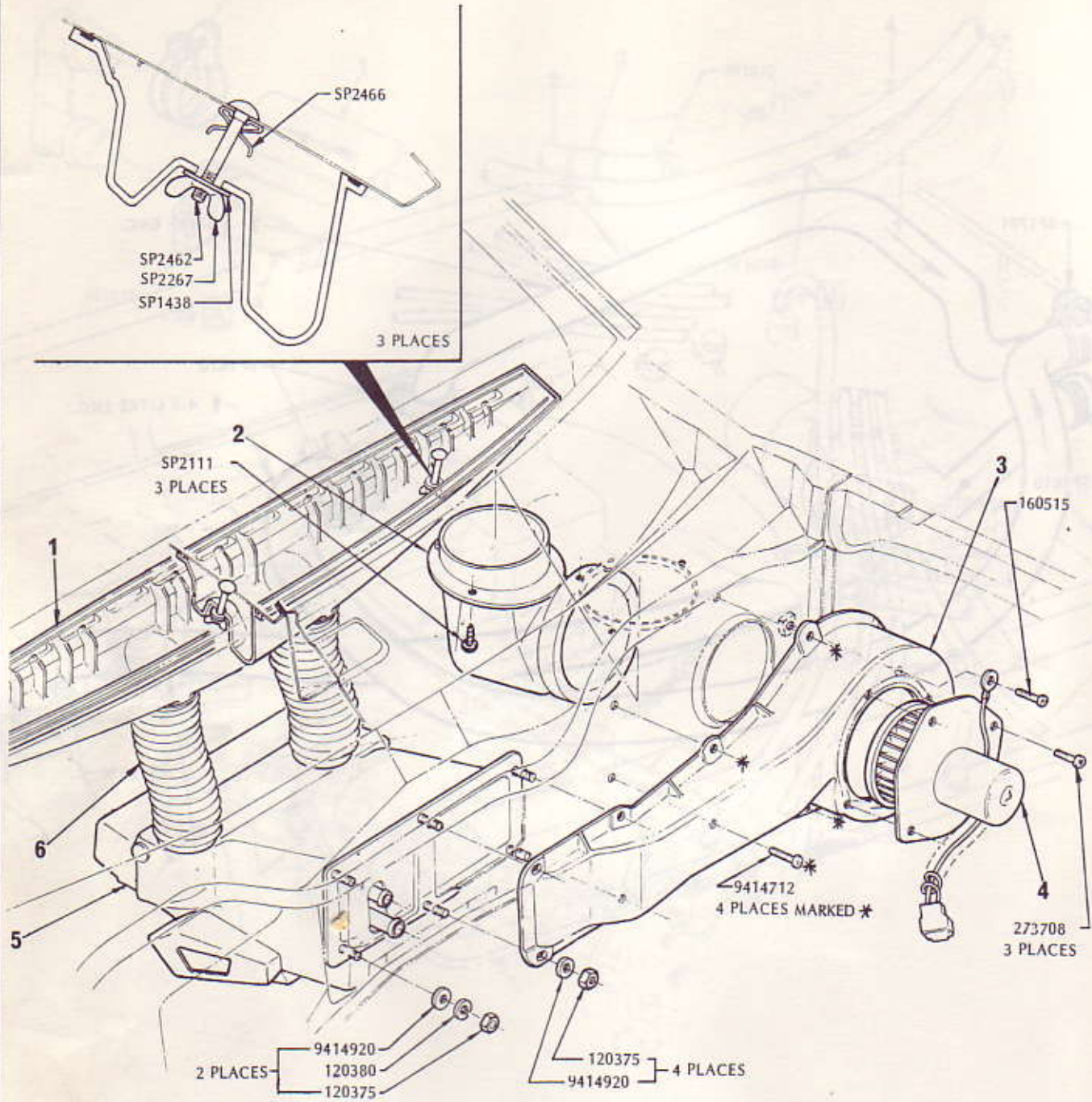
HEATER HOSES
6 Cylinder Engine

ILLUS. REF. NO.	PART NAME	GROUP	ILLUS. REF. NO.	PART NAME	GROUP
1.	HOSE - Heater inlet to manifold	9.779	5.	CLIP - Inlet to outlet hose	9.779
2.	HOSE - Inlet manifold water	3.260	6.	CARBURETTOR ASSY.	3.725
3.	CLIP - Outlet hose to manifold hose	9.779	7.	OUTLET - Cyl. head water	1.153
4.	HOSE - Heater outlet to thermo housing ..	9.779	8.	HOUSING - Thermostat	1.251



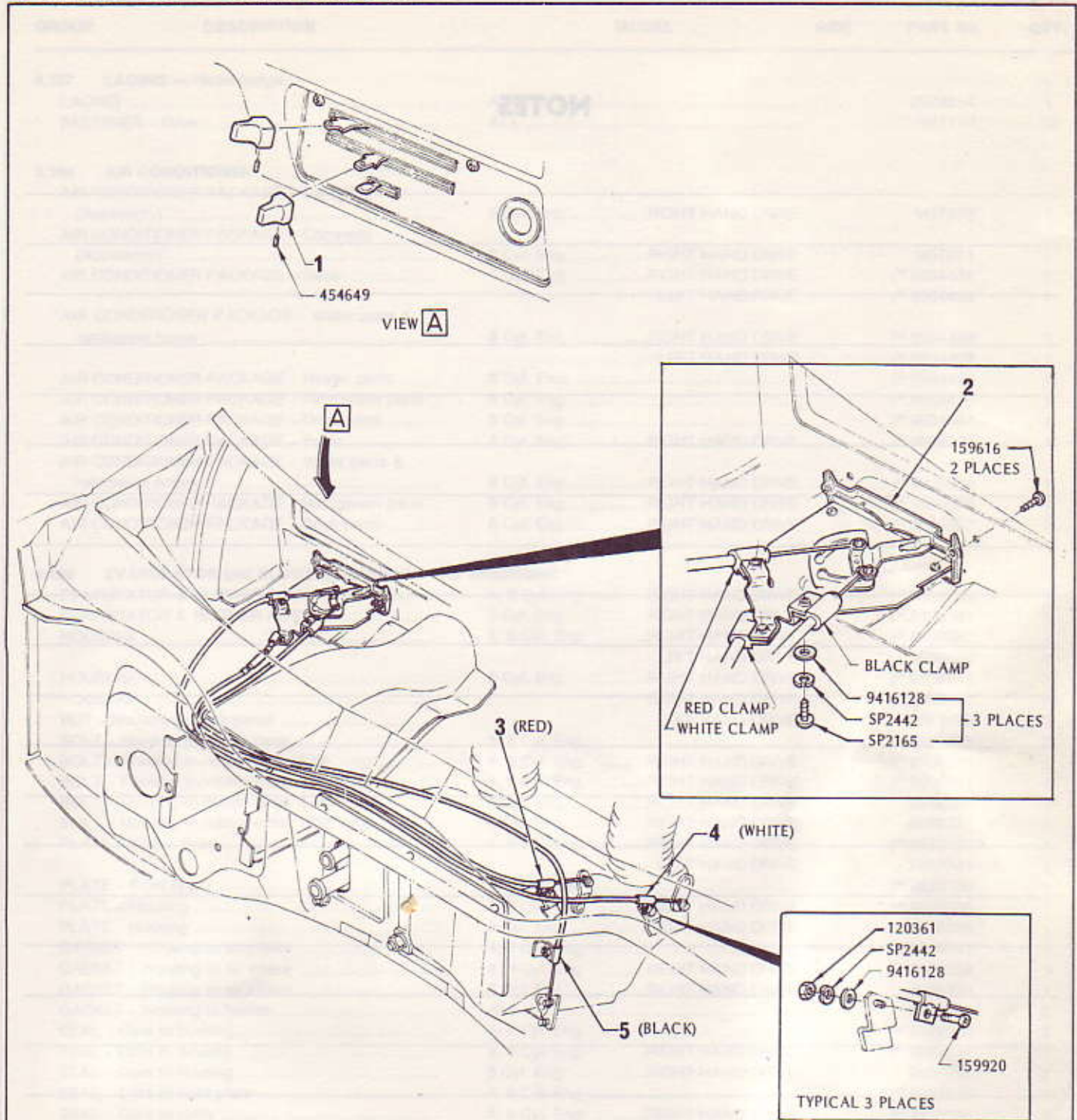
HEATER HOSES
8 CYLINDER ENGINE

ILLUS. REF. NO.	PART NAME	GROUP
1.	HOSE - Heater inlet to manifold	9.779
2.	HOSE - Heater outlet to water pump	9.779



HEATER and DEMISTER

ILLUS. REF. NO.	PART NAME	GROUP	ILLUS. REF. NO.	PART NAME	GROUP
1.	DUCT ASSY. — Demist	9.779	4.	MOTOR & BLOWER ASSY. — Heater	9.779
2.	INLET ASSY. — Heater air	9.779	5.	CASE — Heater	9.779
3.	HOUSING ASSY. — Heater blower duct	9.779	6.	TUBE — Heater to demist duct	9.779



HEATER CONTROLS

ILLUS. REF. NO.	PART NAME	GROUP	ILLUS. REF. NO.	PART NAME	GROUP
1.	NOB - Heater control lever	9.779	4.	CABLE ASSY. - Demist control	9.779
2.	CONTROL ASSY. - Heater	9.779	5.	CABLE ASSY. - Interior control	9.779
3.	CABLE ASSY. - Heater control	9.779			

HOLDEN "LH" PARTS CATALOGUE

GROUP	DESCRIPTION	MODEL	SIDE	PART No.	QTY.
9.127	LACING — Hood ledge				
	LACING	ALL		2824614	1
	FASTENER - Drive	ALL		SP1710	10
9.169	AIR CONDITIONER				
	AIR CONDITIONER PACKAGE - Complete (Accessory)	6 Cyl. Eng.	RIGHT HAND DRIVE	M37570	1
	AIR CONDITIONER PACKAGE - Complete (Accessory)	8 Cyl. Eng.	RIGHT HAND DRIVE	M37571	1
	AIR CONDITIONER PACKAGE - Basic	6 Cyl. Eng.	RIGHT HAND DRIVE	(²⁸ 9934482)	1
			LEFT HAND DRIVE	(²⁸ 9934483)	1
	AIR CONDITIONER PACKAGE - Water parts & refrigerant hoses	6 Cyl. Eng.	RIGHT HAND DRIVE	(²⁸ 9934492)	1
			LEFT HAND DRIVE	(²⁸ 9934489)	1
	AIR CONDITIONER PACKAGE - Heater parts	6 Cyl. Eng.		(²⁸ 9934493)	1
	AIR CONDITIONER PACKAGE - Refrigerant parts ..	6 Cyl. Eng.		(²⁸ 9934486)	1
	AIR CONDITIONER PACKAGE - Drive parts	6 Cyl. Eng.		(²⁸ 9934487)	1
	AIR CONDITIONER PACKAGE - Basic	8 Cyl. Eng.	RIGHT HAND DRIVE	(²⁸ 9936906)	1
	AIR CONDITIONER PACKAGE - Water parts & refrigerant hoses	8 Cyl. Eng.	RIGHT HAND DRIVE	(²⁸ 9936909)	1
	AIR CONDITIONER PACKAGE - Refrigerant parts ..	8 Cyl. Eng.	RIGHT HAND DRIVE	(²⁸ 9936908)	1
	AIR CONDITIONER PACKAGE - Drive parts	8 Cyl. Eng.	RIGHT HAND DRIVE	(²⁸ 9936907)	1
9.169	EVAPORATOR and BLOWER, HOUSING — Air conditioner				
	EVAPORATOR & BLOWER ASSY.	4, 6 Cyl. Eng.	RIGHT HAND DRIVE	(²⁸ 9928736)	1
	EVAPORATOR & BLOWER ASSY.	8 Cyl. Eng.	RIGHT HAND DRIVE	(²⁸ 9936331)	1
	HOUSING	4, 6 Cyl. Eng.	RIGHT HAND DRIVE	(²⁸ 9933083)	1
			LEFT HAND DRIVE	9933084	1
	HOUSING	8 Cyl. Eng.	RIGHT HAND DRIVE	(²⁸ 9936333)	1
	HOUSING		RIGHT HAND DRIVE	(²⁸ 9939717)	1
	NUT - Housing to dash panel		LEFT HAND DRIVE	SP2175	2
	BOLT - Housing to heater case	4, 6 Cyl. Eng.		(²⁸ 9930728)	2
	BOLT - Housing to heater case, 4.58" long	4, 6 Cyl. Eng.	RIGHT HAND DRIVE	(²⁸ 9936340)	1
	BOLT - Housing to heater case, 1.42" long	4, 6 Cyl. Eng.	RIGHT HAND DRIVE	(²⁸ 9936341)	1
	BOLT - Housing to heater case, 4.58" long	8 Cyl. Eng.	RIGHT HAND DRIVE	9936340	1
	BOLT - Housing to heater case, 1.42" long	8 Cyl. Eng.	RIGHT HAND DRIVE	9936341	1
	PLATE ASSY. - Front	4, 6 Cyl. Eng.	RIGHT HAND DRIVE	(²⁸ 9933160)	1
			LEFT HAND DRIVE	9933741	1
	PLATE - Front upper	4, 6 Cyl. Eng.		(²⁸ 9933120)	1
	PLATE - Housing	4, 6 Cyl. Eng.	RIGHT HAND DRIVE	(²⁸ 9936335)	1
	PLATE - Housing	8 Cyl. Eng.	RIGHT HAND DRIVE	9936335	1
	GASKET - Housing to air intake	4, 6 Cyl. Eng.		(²⁸ 9929941)	1
	GASKET - Housing to air intake	4, 6 Cyl. Eng.	RIGHT HAND DRIVE	(²⁸ 9936338)	1
	GASKET - Housing to air intake	8 Cyl. Eng.	RIGHT HAND DRIVE	9936338	1
	GASKET - Housing to heater	ALL		9929942	2
	SEAL - Core to housing	4, 6 Cyl. Eng.		(²⁸ 9929930)	2
	SEAL - Core to housing	4, 6 Cyl. Eng.	RIGHT HAND DRIVE	(²⁸ 9937217)	1
	SEAL - Core to housing	8 Cyl. Eng.	RIGHT HAND DRIVE	9937217	1
	SEAL - Core to front plate	4, 6 Cyl. Eng.		(²⁸ 9933270)	1
	SEAL - Core to plate	4, 6 Cyl. Eng.	RIGHT HAND DRIVE	(²⁸ 9936336)	1
	SEAL - Core to plate	8 Cyl. Eng.	RIGHT HAND DRIVE	9936336	1
	SEAL - Core rear	4, 6 Cyl. Eng.		(²⁸ 9929948)	1
	DEFLECTOR - Housing air	4, 6 Cyl. Eng.		(²⁸ 9929928)	1
	DEFLECTOR - Housing air	4, 6 Cyl. Eng.	RIGHT HAND DRIVE	(²⁸ 9936339)	1
	DEFLECTOR - Housing air	8 Cyl. Eng.	RIGHT HAND DRIVE	9936339	1
9.169	VACUUM TANK — Air conditioner				
	VACUUM TANK ASSY.		RIGHT HAND DRIVE	9937002	1
			LEFT HAND DRIVE	9937001	1

Note: (²⁸) Use with evaporator housing without stiffening flange along the lower side.
(²⁹) Use with evaporator housing with stiffening flange along the lower side.
(²⁸) Export territories only.

HOLDEN "LH" PARTS CATALOGUE

GROUP	DESCRIPTION	MODEL	SIDE	PART No.	QTY.
9.170	COMPRESSOR — Air conditioner				
	COMPRESSOR ASSY.	4 Cyl. Eng.		9938167	1
	COMPRESSOR ASSY.	6, 8 Cyl. Eng.		1131046	1
	FITTING ASSY. - Inlet	4 Cyl. Eng.		9939318	1
	FITTING ASSY. - Outlet	4 Cyl. Eng.		9939317	1
	FITTING ASSY.	6 Cyl. Eng.		9932553	1
	FITTING ASSY.	8 Cyl. Eng.	RIGHT HAND DRIVE	9934263	1
	"O" RING - Fitting to compressor	4, 6 Cyl. Eng.		5887997	2
	WASHER - Fitting to compressor	6, 8 Cyl. Eng.		3706737	1
	CORE ASSY. - Valve	6, 8 Cyl. Eng.		1138041	1
	CAP - Valve core	6, 8 Cyl. Eng.		3792359	1
	LEAD ASSY. - Earth	6, 8 Cyl. Eng.		2818819	1
9.171	BRACKET, SUPPORT, BRACE — Air conditioner compressor				
	SUPPORT - Compressor mounting	4 Cyl. Eng.		9937622	1
	BRACKET - Compressor mounting	4 Cyl. Eng.		9938010	1
	BOLT - Support to engine	4 Cyl. Eng.		2000498	3
	WASHER - Support to engine bolt	4 Cyl. Eng.		2080305	3
	BOLT - Mounting bracket to support	4 Cyl. Eng.		9427637	2
	BUSHING - Compressor support	4 Cyl. Eng.		1204880	2
	PLATE - Compressor support	4 Cyl. Eng.		9937965	1
	PLATE - Compressor locking	4 Cyl. Eng.		9937968	1
	BOLT - Compressor to support plate (10 mm x 1.25 x 30 mm)	4 Cyl. Eng.		11078501	1
	BOLT - Compressor to support plate (3/8" - 16 x 2")	4 Cyl. Eng.		122181	1
	BOLT - Support plate to compressor support	4 Cyl. Eng.		122150	1
	BOLT - Locking plate to support plate	4 Cyl. Eng.		120233	1
	BOLT - Compressor to mounting bracket	4 Cyl. Eng.		2000418	2
	SPACER - Support inner	4 Cyl. Eng.		9937966	1
	SPACER - Support outer	4 Cyl. Eng.		9937967	1
	BRACKET - Front	6 Cyl. Eng.		2814838	1
	BRACKET - Rear	6 Cyl. Eng.		2814841	1
	SPACER - Front bracket	6 Cyl. Eng.		2814844	3
	BOLT - Bracket to engine	6 Cyl. Eng.		7421673	2
	SUPPORT	6 Cyl. Eng.		2814739	1
	BRACE - Front	6 Cyl. Eng.		2814839	1
	SUPPORT - Front	8 Cyl. Eng.		9937423	1
	BRACKET - Front	8 Cyl. Eng.		9931266	1
	SCREW - Compressor to front bracket	8 Cyl. Eng.		SP2083	3
	BRACKET - Rear	8 Cyl. Eng.		9931267	1
	SHIM - Rear bracket	8 Cyl. Eng.		3850581	A.R.
	SCREW - Compressor to rear bracket	8 Cyl. Eng.		SP2068	1
	SPACER - Bracket to inlet manifold	8 Cyl. Eng.		7437656	1
	SPACER - Rear bracket to support	8 Cyl. Eng.		2812400	1
	STUD - Front & rear bracket to support	8 Cyl. Eng.		SP2597	1
	BRACE - Rear	8 Cyl. Eng.		9937425	1
	BRACE - Compressor to inlet manifold	8 Cyl. Eng.		9938403	1
	BRACKET - Compressor brace R.H.	8 Cyl. Eng.		9930631	1
	NUT - Rear brace to frame bracket	8 Cyl. Eng.		2816049	1
9.180	BELT — Air conditioner compressor				
	BELT	4 Cyl. Eng.		9937787	1
	BELT	6 Cyl. Eng.		3888457	1
	BELT	8 Cyl. Eng.		3911670	1
9.190	CONDENSER — Air conditioner				
	CONDENSER ASSY.	ALL		9929777	1
	SPACER - Condenser to rad. support	ALL		2806877	4

HOLDEN "LH" PARTS CATALOGUE

GROUP	DESCRIPTION	MODEL	SIDE	PART No.	QTY.
9.195	RECEIVER and DEHYDRATOR — Air conditioner				
	RECEIVER and DEHYDRATOR ASSY.	4, 6 Cyl. Eng.		(²⁸ 9933333	1
	BRACKET - Mounting	4, 6 Cyl. Eng.		(²⁸ 9933306	1
9.195	VALVES-IN-RECEIVER — Air conditioner				
	VALVES-IN-RECEIVER ASSY. - (Optional with 9929987)	4, 6 Cyl. Eng.	RIGHT HAND DRIVE	(²⁸ 1131047	1
	VALVES-IN-RECEIVER ASSY. - (Optional with 1131047)	4, 6 Cyl. Eng.	RIGHT HAND DRIVE	(²⁸ 9929987	1
	VALVES-IN-RECEIVER ASSY. - (Optional with 9929987)	8 Cyl. Eng.	RIGHT HAND DRIVE	1131047	1
	VALVES-IN-RECEIVER ASSY. - (Optional with 1131047)	8 Cyl. Eng.		9929987	1
	CLAMP - Mounting	4, 6 Cyl. Eng.	RIGHT HAND DRIVE	(²⁸ 3840341	1
	CLAMP - Mounting	8 Cyl. Eng.	RIGHT HAND DRIVE	3840341	1
	GASKET - Inlet connector to housing	4, 6 Cyl. Eng.	RIGHT HAND DRIVE	(²⁸ 6556526	1
	GASKET - Inlet connector to housing	8 Cyl. Eng.		6556526	1
	BRACKET - Mounting	4, 6 Cyl. Eng.	RIGHT HAND DRIVE	(²⁸ 9936334	1
	BRACKET - Mounting	8 Cyl. Eng.	RIGHT HAND DRIVE	9936334	1
	CAP & O-RING ASSY.	4, 6 Cyl. Eng.	RIGHT HAND DRIVE	(²⁸ 3029432	1
	CAP & O-RING ASSY.	8 Cyl. Eng.	RIGHT HAND DRIVE	3029432	1
	DRIER KIT - (Desiccant bag, O-Ring)	4, 6 Cyl. Eng.	RIGHT HAND DRIVE	(²⁸ 6598832	1
	DRIER KIT - (Desiccant bag, O-Ring)	8 Cyl. Eng.	RIGHT HAND DRIVE	6598832	1
	PICK UP TUBE KIT - (Tube and retainer)	4, 6 Cyl. Eng.	RIGHT HAND DRIVE	(²⁸ 6598831,	1
	PICK UP TUBE KIT - (Tube and retainer)	8 Cyl. Eng.	RIGHT HAND DRIVE	6598831	1
	O-RING KIT	4, 6 Cyl. Eng.	RIGHT HAND DRIVE	(²⁸ 6599447	1
	O-RING KIT	8 Cyl. Eng.	RIGHT HAND DRIVE	6599447	1
9.196	TUBE — Air conditioner receiver and dehydrator				
	TUBE ASSY. - Condenser outlet to dehydrator	4, 6 Cyl. Eng.		(²⁸ 9933520	1
9.198	VALVE — Air conditioner P.O.A.S.T.				
	VALVE	4, 6 Cyl. Eng.		(²⁸ 5910594	1
	KIT - P.O.A.S.T. Valve	4, 6 Cyl. Eng.	RIGHT HAND DRIVE	(²⁸ 6599444	1
	KIT - P.O.A.S.T. Valve	8 Cyl. Eng.	RIGHT HAND DRIVE	6599444	1
	VALVE - Evaporator gauge	4, 6 Cyl. Eng.	RIGHT HAND DRIVE	(²⁸ 5914817	1
	VALVE - Evaporator gauge	8 Cyl. Eng.	RIGHT HAND DRIVE	5914817	1
9.199	TUBE — Air conditioner P.O.A.S.T. valve				
	TUBE ASSEMBLY - Outlet	4, 6 Cyl. Eng.		(²⁸ 9933253	1
	BRACKET - Valve mounting	4, 6 Cyl. Eng.		(²⁸ 3942672	1
9.202	SIGHT GLASS, EXPANSION VALVE — Air Conditioner V.I.R.				
	SIGHT GLASS KIT - (Glass, retainer, washer, O-Ring.)	4, 6 Cyl. Eng.	RIGHT HAND DRIVE	(²⁸ 6599451	1
	SIGHT GLASS KIT - (Glass, retainer, washer, O-Ring)	8 Cyl. Eng.	RIGHT HAND DRIVE	6599451	1
	EXPANSION VALVE KIT	4, 6 Cyl. Eng.	RIGHT HAND DRIVE	(²⁸ 6599445	1
	EXPANSION VALVE KIT	8 Cyl. Eng.	RIGHT HAND DRIVE	6599445	1
9.210	CORE — Air conditioner evaporator				
	CORE ASSEMBLY	4, 6 Cyl. Eng.	RIGHT HAND DRIVE	(²⁸ 9932853	1
			LEFT HAND DRIVE	3022875	1
9.211	INLET, SEAL - Air conditioner air				
	INLET ASSY.	ALL		2824864	1
	SEAL - Air inlet to dash	ALL		2818641	1
	TUBE - Evap. and blower housing drain	ALL		3016305	1

Note: (²⁸ Use with evaporator housing without stiffening flange along the lower side.
(²⁸ Use with evaporator housing with stiffening flange along the lower side.

HOLDEN "LH" PARTS CATALOGUE

GROUP	DESCRIPTION	MODEL	SIDE	PART No.	QTY.
9.213	VALVE — Modulex				
	VALVE	4, 6 Cyl. Eng.		(²⁸ 5910745	1
	CLAMP - Valve mounting	4, 6 Cyl. Eng.		(²⁸ 3017086	1
	CLAMP - Valve bulb to evaporator outlet	4, 6 Cyl. Eng.		(²⁸ 3147463	2
	INSULATOR - Valve bulb to evaporator outlet	4, 6 Cyl. Eng.		(²⁸ 8526387	2
9.215	MOTOR, IMPELLER, HOSE — Air conditioner blower				
	MOTOR - Evaporator blower	ALL		4960538	1
	IMPELLER - Blower motor	ALL		3027062	1
	WASHER - Impeller to motor shaft	ALL		3015545	1
	NUT - Impeller to motor shaft	ALL		3027134	1
	HOSE - Motor cooling	ALL		2818388	1
	LEAD - Motor earth	ALL		9930552	1
9.217	CORE — Air conditioner heater				
	Refer group 9.779				
9.220	HOSE, BRACKET, CLAMP, TUBE, "O" RING — Air conditioner				
	HOSE - Comp. outlet to cond. inlet	4 Cyl. Eng.		3837324	1
	HOSE - Comp. outlet to cond. inlet	6 Cyl. Eng.		3861416	1
	HOSE - Comp. outlet to cond. inlet	8 Cyl. Eng.		3895976	1
	HOSE - P.O.A.S.T. valve to compressor	4 Cyl. Eng.	RIGHT HAND DRIVE	(²⁸ 3815009	1
	HOSE - P.O.A.S.T. valve to compressor	6 Cyl. Eng.	RIGHT HAND DRIVE	(²⁸ 3829381	1
	HOSE - P.O.A.S.T. valve to compressor	6 Cyl. Eng.	LEFT HAND DRIVE	(²⁸ 3942673	1
	HOSE - Receiver dehydrator to mod. valve	4 Cyl. Eng.		(²⁸ 3942764	1
	HOSE - Receiver dehydrator to mod. valve	6 Cyl. Eng.	RIGHT HAND DRIVE	(²⁸ 3814776	1
			LEFT HAND DRIVE	3895908	1
	HOSE - V-I-R outlet to compressor inlet	4 Cyl. Eng.	RIGHT HAND DRIVE	(²⁸ 3815009	1
	HOSE - V-I-R outlet to compressor inlet	6 Cyl. Eng.	RIGHT HAND DRIVE	(²⁸ 3849840	1
	HOSE - V-I-R outlet to compressor inlet	8 Cyl. Eng.		3815009	1
	HOSE - Condenser outlet to V-I-R	4, 6 Cyl. Eng.	RIGHT HAND DRIVE	(²⁸ 3864395	1
	HOSE - Condenser outlet to V-I-R	8 Cyl. Eng.		3864395	1
	TUBE ASSY. - Receiver dehydrator outlet	4 Cyl. Eng.	RIGHT HAND DRIVE	(²⁸ 3792316	1
	TUBE ASSY. - Receiver dehydrator outlet	6 Cyl. Eng.	RIGHT HAND DRIVE	(²⁸ 9929835	1
	TUBE ASSY. - Receiver dehydrator outlet	4, 6 Cyl. Eng.		9929835	1
	TUBE ASSY. - Module and valve inlet	4 Cyl. Eng.	RIGHT HAND DRIVE	(²⁸ 9933733	1
	TUBE ASSY. - Module and valve inlet	4, 6 Cyl. Eng.	RIGHT HAND DRIVE	(²⁸ 9934115	1
	TUBE ASSY. - Module and valve inlet	6 Cyl. Eng.	LEFT HAND DRIVE	9933733	1
	TUBE ASSY. - Condenser inlet	ALL		9929778	1
	TUBE ASSY. - Condenser outlet	4, 6 Cyl. Eng.	RIGHT HAND DRIVE	(²⁸ 9929834	1
	TUBE ASSY. - Condenser outlet	8 Cyl. Eng.		9929834	1
	TUBE ASSY. - Condenser to valves-in-receiver	4, 6 Cyl. Eng.	RIGHT HAND DRIVE	(²⁸ 9936359	1
	TUBE ASSY. - Condenser to valves-in-receiver	8 Cyl. Eng.	RIGHT HAND DRIVE	9936359	1
			LEFT HAND DRIVE	9929836	1
	TUBE ASSY. - Valves-in-receiver to compressor	4, 6 Cyl. Eng.	RIGHT HAND DRIVE	(²⁸ 9929836	1
	TUBE ASSY. - Valves-in-receiver to compressor	8 Cyl. Eng.		9929836	1
	"O" RING GASKET - Receiver dehydrator	4, 6 Cyl. Eng.		(²⁸ 8526398	2
	"O" RING GASKET - Module and valve inlet	4, 6 Cyl. Eng.		(²⁸ 8526398	1
	"O" RING GASKET - Module and valve to evaporator	4, 6 Cyl. Eng.		(²⁸ 3140600	1
	"O" RING GASKET - P.O.A.S.T. valve to evaporator	4, 6 Cyl. Eng.		(²⁸ 3140852	1
	"O" RING GASKET - Valve outlet tube	4, 6 Cyl. Eng.		(²⁸ 3140852	1
	"O" RING GASKET - Condenser to valves-in-receiver tube	4, 6 Cyl. Eng.	RIGHT HAND DRIVE	(²⁸ 8526398	1
	"O" RING GASKET - Condenser to valves-in-receiver tube	8 Cyl. Eng.		8526398	1
	"O" RING GASKET - Valves-in-receiver to compressor tube	4, 6 Cyl. Eng.	RIGHT HAND DRIVE	(²⁸ 3140852	1
	"O" RING GASKET - Valves-in-receiver to compressor tube	8 Cyl. Eng.		3140852	1
	CLAMP - Hose	ALL		3840818	6
	CLAMP - Condenser inlet and outlet tube	ALL		9929675	1

Note: (²⁸ Use with evaporator housing without stiffening flange along the lower side.
(²⁹ Use with evaporator housing with stiffening flange along the lower side.

HOLDEN "LH" PARTS CATALOGUE

GROUP	DESCRIPTION	MODEL	SIDE	PART No.	QTY.
9.220	HOSE, BRACKET, CLAMP, TUBE, "O" RING — Air conditioner (contd.)				
	BRACKET - Hose support	6 Cyl. Eng.		9929851	1
	CLIP - Compressor to condenser hose	6 Cyl. Eng.		120530	1
	HOSE - Water valve outlet to heater inlet	4 Cyl. Eng.	RIGHT HAND DRIVE	9933190	1
	HOSE - Thermo housing to water valve	4 Cyl. Eng.	RIGHT HAND DRIVE	9931301	1
	CLAMP - Heater hose .97" dia.	4 Cyl. Eng.	RIGHT HAND DRIVE	SP1701	5
	CLAMP - Heater hose 1.03" dia.	4 Cyl. Eng.	RIGHT HAND DRIVE	SP1610	1
	HOSE - Water valve outlet to heater inlet	6 Cyl. Eng.		9929999	1
	HOSE - Water valve to tee	6 Cyl. Eng.		2822709	1
	HOSE - Tee to water pump	6 Cyl. Eng.	RIGHT HAND DRIVE	9929731	1
			LEFT HAND DRIVE	9929733	1
	HOSE - Heater outlet to tee	6 Cyl. Eng.		9930891	1
	HOSE - Manifold outlet to water valve	6 Cyl. Eng.	RIGHT HAND DRIVE	7437879	1
			LEFT HAND DRIVE	9931240	1
	BRACKET - Heater hose support to engine	6 Cyl. Eng.	RIGHT HAND DRIVE	9931943	1
	CLIP - Heater hose to support bracket	6 Cyl. Eng.	RIGHT HAND DRIVE	120530	1
	CLIP - Water pump hose to manifold hose	6 Cyl. Eng.	LEFT HAND DRIVE	7433806	1
	HOSE - Manifold outlet to water valve	4.2 Litre Eng.		9931240	1
	HOSE - Manifold outlet to water valve	5 Litre Eng.		9931622	1
	HOSE - Water valve to heater inlet	8 Cyl. Eng.	RIGHT HAND DRIVE	9931241	1
	HOSE - Heater outlet to tee	8 Cyl. Eng.	RIGHT HAND DRIVE	2818166	1
	HOSE - Water pump to tee	8 Cyl. Eng.		2822622	1
	HOSE - Water valve to tee	8 Cyl. Eng.		9931273	1
	CLIP - Heater inlet hose to rocker cover	8 Cyl. Eng.		9929253	1
	TEE - Water hose connector	6, 8 Cyl. Eng.		2822621	1
	CLAMP - Heater hose .97" dia.	6, 8 Cyl. Eng.		SP1701	4
	CLAMP - Heater hose 1.03" dia.	6, 8 Cyl. Eng.		SP1610	6
	"O" RING GASKET - Evaporator core inlet to valves-in-receiver	8 Cyl. Eng.		3140600	1
	"O" RING GASKET - Evaporator core outlet to valves-in-receiver	4, 6 Cyl. Eng.	RIGHT HAND DRIVE	(²⁸ 3140852)	1
	"O" RING GASKET - Evaporator core outlet to valves-in-receiver	8 Cyl. Eng.		3140852	1
	"O" RING GASKET - Evaporator core liquid bleed	4, 6 Cyl. Eng.	RIGHT HAND DRIVE	(²⁸ 8526645)	1
	"O" RING GASKET - Evaporator core liquid bleed	8 Cyl. Eng.		8526645	1
	"O" RING GASKET - Evaporator bleed pipe to valve	4, 6 Cyl. Eng.		(²⁸ 8526645)	1
	"O" RING GASKET - Equalizer pipe to valve	4, 6 Cyl. Eng.		(²⁸ 8526645)	1
	STRAP - Compressor inlet hose to valve hose	4 Cyl. Eng.	RIGHT HAND DRIVE	7436769	2
	STRAP - Hose	8 Cyl. Eng.		7436769	1
	SLEEVE - Condenser outlet hose	8 Cyl. Eng.		2820848	1
9.262	INSERT — Air conditioner outlet housing				
	INSERT	ALL		9934046	1
9.275	WATER VALVE, SWITCH, CIRCUIT BREAKER, RELAY, RESISTOR — Air conditioner				
	VALVE ASSY - Heater water	4 Cyl. Eng.	RIGHT HAND DRIVE	481375	1
	VALVE ASSY. - Heater water	6, 8 Cyl. Eng.		2822620	1
	SWITCH ASSY. - Fan	ALL		2814815	1
	SWITCH ASSY. - Master micro	ALL		7308858	1
	CIRCUIT BREAKER ASSY.	ALL		4849850	1
	SLEEVE - Circuit breaker stud	ALL		7414969	2
	RELAY ASSY.	ALL		7437892	1
	RESISTOR ASSY.	ALL		3979727	1
	SEAL - Resistor	ALL		2815712	1
	GASKET - Resistor to housing	ALL		2815702	1
	SWITCH ASSY. - Compressor micro	ALL		7935830	1

Note: (²⁸) Use with evaporator housing without stiffening flange along the lower side.

(²⁹) Use with evaporator housing with stiffening flange along the lower side.

HOLDEN "LH" PARTS CATALOGUE

GROUP	DESCRIPTION	MODEL	SIDE	PART No.	QTY.
9.276	HARNES, LEAD — Air conditioner wiring				
	HARNES ASSY. - Vacuum hose and wiring	4, 6 Cyl. Eng.	RIGHT HAND DRIVE	(²⁸ 9929936	1
			LEFT HAND DRIVE	9929940	1
	HARNES ASSY. - Vacuum hose and wiring	8 Cyl. Eng.		(²⁸ 9937276	1
	HARNES ASSY. - Vacuum hose and wiring		RIGHT HAND DRIVE	(²⁸ 9935612	1
	HARNES ASSY. - Wiring		RIGHT HAND DRIVE	(²⁸ 9935613	1
	LEAD ASSY. - Starter motor to circuit breaker	4, 6 Cyl. Eng.	RIGHT HAND DRIVE	2818984	1
	LEAD ASSY. - Starter motor to circuit breaker	6 Cyl. Eng.	LEFT HAND DRIVE	9932583	1
	LEAD ASSY. - Circuit breaker to relay	ALL		2818985	1
	LEAD ASSY. - Harness to compressor	4 Cyl. Eng.	RIGHT HAND DRIVE	9931924	1
	LEAD ASSY. - Harness to compressor	6 Cyl. Eng.	LEFT HAND DRIVE	9931924	1
	LEAD ASSY. - Harness to compressor	8 Cyl. Eng.		(²⁸ 9931924	1
	LEAD ASSY. - Generator to circuit breaker	4.2 Litre Eng.		9937214	1
	BODY - Terminal connector - Single	ALL		2962448	4
	BODY - Terminal connector - 2 way female	ALL		2973407	2
	BODY - Terminal connector - Double	ALL		2962967	2
	BODY - Terminal connector - 4 way female	ALL		2965073	1
	BODY - Terminal connector - 5 way female	ALL		6294016	1
	BODY - Terminal connector - 2 way male	ALL		2973431	1
	CLIP - Lead to dash	6 Cyl. Eng.	LEFT HAND DRIVE	7401651	2
	CLIP - Compressor lead to side member	4 Cyl. Eng.	RIGHT HAND DRIVE	SP2359	2
	CLIP - Compressor lead to side member	6 Cyl. Eng.	RIGHT HAND DRIVE	SP2367	1
	STRAP - Compressor lead to valves-in-receiver	8 Cyl. Eng.		SP1887	1
9.278	FACIA, CONTROL, ADAPTOR, LEVER, KNOB — Air conditioner control				
	FACIA	ALL		9934915	1
	CONTROL ASSY.	ALL		9929937	1
	ADAPTOR - Control	ALL		9929938	1
	LEVER ASSY. - Mode control	ALL		9929947	1
	WASHER - Mode control lever to base	ALL		SP2478	1
	LEVER ASSY. - Temperature control	ALL		9928384	1
	KNOB - Mode and temperature control	ALL		9929852	2
	SCREW - Control knob	ALL		454649	2
	SHAFT - Mode and temperature control lever to base	ALL		9930351	1
	SPRING - Mode and temperature control lever detent	ALL		2814892	2
	CLIP - Mode and temperature control lever to base	ALL		SP1762	1
9.279	BASE - Air conditioner control				
	BASE	ALL		9929946	1
9.280	DOOR, LEVER — Air conditioner				
	DOOR ASSEMBLY - Demist	ALL		VS12789	1
	LEVER - Demist door (Straight type)	ALL		9930790	1
	LEVER - Demist door (Offset type)	ALL		VS12784	1
	WASHER - Demist tube flow restrictor, 1.75" x 3 x .060"	ALL		SP2566	2
	LEVER - Interior door	ALL		9931655	1
9.280	ACTUATOR, VALVE, LINK — Air conditioner vacuum				
	ACTUATOR - Demist and air conditioner control vacuum	ALL		9930780	1
	ACTUATOR - Interior control air conditioner heater vacuum	ALL		9930780	1
	ACTUATOR - Air inlet vacuum	ALL		9930780	1
	NUT - Actuator retainer, flanged	ALL		SP2372	4
	BRACKET - Demist and air conditioner control actuator mounting	ALL		9930781	1

Note: (²⁸ Use with evaporator housing without stiffening flange along the lower side.
(²⁹ Use with evaporator housing with stiffening flange along the lower side.

HOLDEN "LH" PARTS CATALOGUE

GROUP	DESCRIPTION	MODEL	SIDE	PART No.	QTY.
9.280	ACTUATOR, VALVE, LINK — Air conditioner vacuum (contd.)				
	BRACKET - Interior control air conditioner heater actuator mounting	ALL		9930522	1
	BRACKET - Air inlet vacuum actuator mounting	ALL		9931093	1
	VALVE ASSY. - Mode vacuum	ALL		2820513	1
	VALVE ASSY. - Temperature vacuum	ALL		7930601	1
	VALVE ASSY. - Vacuum check	ALL		1485553	1
	SPACER - Mode vacuum valve to base	ALL		9930459	2
	SPACER - Temperature vacuum valve to base	ALL		9930350	2
	LINK - Demist and air conditioner control actuator door	ALL		9930863	1
	LINK - Interior control air conditioner heater actuator door	ALL		9930864	1
	LINK - Air inlet door actuator	ALL		9930736	1
	BUSHING - Mode vacuum valve to rotor pin	ALL		3891794	1
	CLIP - Air conditioner heater vacuum actuator link retainer	ALL		SP2207	2
9.281	HOSE, TEE — Air conditioner vacuum				
	HOSE - Vacuum heat valve to connector tee	ALL		2822627	1
	HOSE - Mode valve to connector tee 2"	ALL		9934268	1
	HOSE - Inlet manifold to vacuum check valve 3/8" ...	4 Cyl. Eng.	RIGHT HAND DRIVE	3902292	1
	HOSE - Inlet manifold to vacuum check valve 9"	6 Cyl. Eng.	RIGHT HAND DRIVE	3770106	1
	HOSE - Inlet manifold to vacuum check valve 26" ...	6 Cyl. Eng.	LEFT HAND DRIVE	3754269	1
	HOSE - Connector to vacuum tank		LEFT HAND DRIVE	9932876	1
	TEE - Vacuum hose connector	ALL		3895904	1
	CLIP - Water and vacuum hose to dash		RIGHT HAND DRIVE	7413370	1
	CLIP - Vacuum hose and circuit breaker lead to dash		LEFT HAND DRIVE	7413370	1
9.600	BAR — Tow				
	BAR - Less tongue	ALL		9930211	1
	TONGUE - Painted - Rams horn	Exc. West Aust.		2819858	1
	TONGUE - Chrome plated - Rams horn	Exc. West Aust.		2819859	1
	TONGUE - Chrome plated - "U" shackle	ALL		2819861	1
	EQUALIZER PACKAGE - Load	ALL		M37617	1
	SHAFT	ALL		M37618	2
	MOUNTING ASSY.	ALL		M37619	1
	PLATE - Chain	ALL		M37620	2
	PLATE - Clamp	ALL		M37621	2
	U-BOLT	ALL		M37622	4
	CHAIN	ALL		M37623	2
	NUT	ALL		120376	8
	WASHER	ALL		120214	8
	PIN	ALL		SP2540	2
9.608	CARRIER — Water bag				
	CARRIER	ALL		9933075	1
9.610	COVER — Steering wheel				
	COVER - Black	Exc. VD, G Pak		M37588BLK	1
	COVER - Tan	Exc. VD, G Pak		M37588TAN	1
	COVER - Red	Exc. VD, G Pak		M37588RED	1
9.620	DEFLECTOR — Fender mud				
	DEFLECTOR PACKAGE - Front and rear	ALL		9931804	2
	DEFLECTOR	ALL	LH	9932051	2
			RH	9932050	2

HOLDEN "LH" PARTS CATALOGUE

GROUP	DESCRIPTION	MODEL	SIDE	PART No.	QTY.
9.624	GUARD — Bumper bar				
	GUARD PACKAGE - Front bar with rub strip	ALL		9933115	1
	GUARD PACKAGE - Front bar without rub strip	ALL		9933076	1
	GUARD PACKAGE - Rear bar with rub strip	ALL		9933116	1
	GUARD PACKAGE - Rear bar without rub strip	ALL		9933077	1
9.632	GUARD — Head lamp stone				
	GUARD PACKAGE - 1 pair	Round		9937562	1
	GUARD PACKAGE - 1 pair	Rectangular		9935172	1
9.640	HANDLE — Door pull-to				
	HANDLE PACKAGE - Set of 2	ALL		2808258	2
	HANDLE	ALL		7435413	4
9.644	HARNESS — Trailer wiring				
	HARNESS PACKAGE	ALL		2824013	1
	HARNESS ASSY. - Vehicle section	ALL		2824011	1
	FLASHER ASSY.	ALL		2815893	1
9.648	LAMP — Auxiliary driving				
	LAMP PACKAGE	ALL		9937631	1
	SWITCH ASSY.	ALL		M31722	1
	LEAD ASSY. - Switch to dash connector	ALL		9937160	1
	LEAD ASSY. - Lamp connector to dash connector	ALL		9937159	1
	LEAD ASSY. - Lamp to lamp connector	ALL		9936802	1
9.658	PLATE — Door paint protection				
	PLATE PACKAGE - Set of 4	ALL		2820272	1
9.662	RADIO/STEREO CASSETTE PLAYER, RADIO — Air chief				
	RADIO/STEREO CASSETTE PLAYER PACKAGE	ALL		9931672	1
	EXTENSION SPEAKER PACKAGE - Radio/Stereo cassette player	ALL		9935257	1
	ESCUTCHEON - Cassette player (Black)	UG, VB		VS13164	1
	RADIO PACKAGE - 13 transistor - Push button	ALL		9931670	1
	RADIO PACKAGE - 11 transistor - Push button	ALL		9931671	1
	RADIO PACKAGE - 11 transistor - Manual	ALL		9931674	1
	RADIO PACKAGE - 8 transistor - Manual	ALL		9931669	1
	•KNOB SET - Radio	ALL		M37625	1
	EXTENSION SPEAKER PACKAGE - Rear seat	ALL		9929094	1
	ANTENNA - Lockdown spring loaded - Long range	ALL		(³ M37085	1
	ANTENNA - Lockdown spring loaded - Medium range	ALL		(⁴ M37115	1
	ANTENNA & LEAD - In package	ALL		(⁵ 2824959	1
	LEAD-IN	ALL		M35270	1
	ANTENNA PACKAGE - Rear quarter electric	ALL		9929954	1
	SWITCH ASSY. - Electric antenna	ALL		9930491	1
	SPRING - Electric antenna switch retainer	ALL		2816992	1
	DIAL - Radio (letters)	ALL STATES		2819186	1
	DIAL - Radio (letters)	VIC & TAS.		2819188	1
	DIAL - Radio (letters)	N.S.W.		2819189	1
	DIAL - Radio (letters)	S.A. & W.A.		2819190	1
	DIAL - Radio (letters)	QLD. & N.T.		2819191	1
9.662	RADIO — Air ranger				
	RADIO PACKAGE	ALL		M37615	1
	INSTALLATION KIT	ALL		M37500	1
	ANTENNA & LEAD IN PACKAGE	ALL		2824959	1

Note: (³ Contained in 13 transistor radio package.
 (⁴ Contained in 11 transistor radio package.
 (⁵ Contained in 8 transistor radio package.

HOLDEN "LH" PARTS CATALOGUE

GROUP	DESCRIPTION	MODEL	SIDE	PART No.	QTY.
9.665	SCREEN — Radlator Insect SCREEN PACKAGE	ALL		9932150	1
9.668	SHADE PACKAGE — Rear window venetian SHADE PACKAGE	ALL		9932125	1
9.672	SHELF — Parcel SHELF PACKAGE		RIGHT HAND DRIVE	9928466	1
9.675	CHILD & INFANT SAFETY SEAT CHILD SAFETY SEAT PACKAGE	ALL		9677326	1
	INFANT CARRIER PACKAGE	ALL		994259	1
	MOUNTING KIT	ALL		9695953	1
9.680	SUNSHADE — Windshleld SUNSHADE PACKAGE - Plain	ALL		9928459	1
	SUNSHADE PACKAGE - Ash vinyl	ALL		9928460DC	1
	SUNSHADE PACKAGE - Juniper vinyl	ALL		9928460DE	1
	SUNSHADE PACKAGE - Doeskin vinyl	ALL		9928460DF	1
	SUNSHADE PACKAGE - Chestnut vinyl	ALL		9928460DG	1
	SUNSHADE PACKAGE - Black vinyl	ALL		9928460CY	1
	SUNSHADE PACKAGE - Chamois vinyl	ALL		9928460DV	1
	SUNSHADE PACKAGE - Tan vinyl	ALL		9928460DX	1
	SUNSHADE PACKAGE - Dove Grey vinyl	ALL		9928460DR	1
	SUNSHADE PACKAGE - Gazelle vinyl	ALL		9928460DW	1
9.684	WEATHERSHIELD — Door mounting WEATHERSHIELD PACKAGE - Clear	ALL	LH	9936895CLR	1
	WEATHERSHIELD PACKAGE - Tinted	ALL	RH	9936896CLR	1
	WEATHERSHIELD PACKAGE - (vented) - Clear	ALL	LH	9936895TNT	1
	WEATHERSHIELD PACKAGE - (vented) - Tinted	ALL	RH	9936896TNT	1
	VENT ASSY. - Clear (vented weathershield)	ALL	LH	9936471CLR	1
	VENT ASSY. - Tinted (vented weathershield)	ALL	RH	9936472CLR	1
	VENT ASSY. - Clear (vented weathershield)	ALL	LH	9936471TNT	1
	VENT ASSY. - Tinted (vented weathershield)	ALL	RH	9936472TNT	1
	VENT ASSY. - Clear (vented weathershield)	ALL	LH	M37607CLR	1
	VENT ASSY. - Tinted (vented weathershield)	ALL	RH	M37606CLR	1
	VENT ASSY. - Clear (vented weathershield)	ALL	LH	M37607TNT	1
	VENT ASSY. - Tinted (vented weathershield)	ALL	RH	M37606TNT	1
9.709	LIGHTER ASSEMBLY — Cigarette LIGHTER ASSY. - (Casco)	ALL		2824474	1
	PLUNGER and KNOB ASSY - (Casco)	ALL		2824475	1
	BRACKET - Cigarette lighter earth	ALL		2829872	1
9.743	FACIA — Instrument panel FACIA ASSY. - Black	UG, VB exc. Air Cond. RIGHT HAND DRIVE LEFT HAND DRIVE		9928445CY 9928472CY	1 1
	FACIA ASSY. - Black	UG, VB Air Cond. RIGHT HAND DRIVE LEFT HAND DRIVE		9929595CY 9929598CY	1 1
	FACIA ASSY. - Black	UH, VC exc. Air Cond. RIGHT HAND DRIVE LEFT HAND DRIVE		9928470CY 9928474CY	1 1
	FACIA ASSY. - Dark Ash	UH, VC exc. Air Cond. RIGHT HAND DRIVE LEFT HAND DRIVE		9928470DD 9928474DD	1 1
	FACIA ASSY. - Chestnut	UH, VC exc. Air Cond. RIGHT HAND DRIVE LEFT HAND DRIVE		9928470DG 9928474DG	1 1

HOLDEN "LH" PARTS CATALOGUE

GROUP	DESCRIPTION	MODEL	SIDE	PART No.	QTY.
9.743	FACIA — Instrument panel (contd.)				
	FACIA ASSY. — Dark Grey	UH, VC exc. Air Cond.			
		RIGHT HAND DRIVE		9928470DS	1
		LEFT HAND DRIVE		9928474DS	1
	FACIA ASSY. — Tan	UH, VC exc. Air Cond.			
		RIGHT HAND DRIVE		9928470DX	1
		LEFT HAND DRIVE		9928474DX	1
	FACIA ASSY. — Covert	UH, VC exc. Air Cond.			
		RIGHT HAND DRIVE		9928470DY	1
		LEFT HAND DRIVE		9928474DY	1
	FACIA ASSY. — Black	UH, VC Air Cond.			
		RIGHT HAND DRIVE		9929596CY	1
		LEFT HAND DRIVE		9929599CY	1
	FACIA ASSY. — Dark Ash	UH, VC Air Cond.			
		RIGHT HAND DRIVE		9929596DD	1
		LEFT HAND DRIVE		9929599DD	1
	FACIA ASSY. — Chestnut	UH, VC Air Cond.			
		RIGHT HAND DRIVE		9929596DG	1
		LEFT HAND DRIVE		9929599DG	1
	FACIA ASSY. — Dark Grey	UH, VC Air Cond.			
		RIGHT HAND DRIVE		9929596DS	1
		LEFT HAND DRIVE		9929599DS	1
	FACIA ASSY. — Tan	UH, VC Air Cond.			
		RIGHT HAND DRIVE		9929596DX	1
		LEFT HAND DRIVE		9929599DX	1
	FACIA ASSY. — Covert	UH, VC Air Cond.			
		RIGHT HAND DRIVE		9929596DY	1
		LEFT HAND DRIVE		9929599DY	1
	FACIA ASSY. — Black	VD 6 Cyl. Eng. exc. Air Cond.			
				9928470CY	1
	FACIA ASSY. — Dark Ash	VD 6 Cyl. Eng. exc. Air Cond.			
				9928470DD	1
	FACIA ASSY. — Chestnut	VD 6 Cyl. Eng. exc. Air Cond.			
				9928470DG	1
	FACIA ASSY. — Dark Grey	VD 6 Cyl. Eng. exc. Air Cond.			
				9928470DS	1
	FACIA ASSY. — Tan	VD 6 Cyl. Eng. exc. Air Cond.			
				9928470DX	1
	FACIA ASSY. — Covert	VD 6 Cyl. Eng. exc. Air Cond.			
				9928470DY	1
	FACIA ASSY. — Black	VD 6 Cyl. Eng. Air Cond.			
				9929596CY	1
	FACIA ASSY. — Dark Ash	VD 6 Cyl. Eng. Air Cond.			
				9929596DD	1
	FACIA ASSY. — Chestnut	VD 6 Cyl. Eng. Air Cond.			
				9929596DG	1
	FACIA ASSY. — Dark Grey	VD 6 Cyl. Eng. Air Cond.			
				9929596DS	1
	FACIA ASSY. — Tan	VD 6 Cyl. Eng. Air Cond.			
				9929596DX	1
	FACIA ASSY. — Covert	VD 6 Cyl. Eng. Air Cond.			
				9929596DY	1
	FACIA ASSY. — Black	VD 4.2 Litre Eng. exc. Air Cond.			
				9928470CY	1
	FACIA ASSY. — Dark Ash	VD 4.2 Litre Eng. exc. Air Cond.			
				9928470DD	1
	FACIA ASSY. — Chestnut	VD 4.2 Litre Eng. exc. Air Cond.			
				9928470DG	1
	FACIA ASSY. — Dark Grey	VD 4.2 Litre Eng. exc. Air Cond.			
				9928470DS	1
	FACIA ASSY. — Tan	VD 4.2 Litre Eng. exc. Air Cond.			
				9928470DX	1
	FACIA ASSY. — Covert	VD 4.2 Litre Eng. exc. Air Cond.			
				9928470DY	1
	FACIA ASSY. — Black	VD 4.2 Litre Eng. Air Cond.			
				9929596CY	1
	FACIA ASSY. — Dark Ash	VD 4.2 Litre Eng. Air Cond.			
				9929596DD	1
	FACIA ASSY. — Chestnut	VD 4.2 Litre Eng. Air Cond.			
				9929596DG	1
	FACIA ASSY. — Dark Grey	VD 4.2 Litre Eng. Air Cond.			
				9929596DS	1
	FACIA ASSY. — Tan	VD 4.2 Litre Eng. Air Cond.			
				9929596DX	1
	FACIA ASSY. — Covert	VD 4.2 Litre Eng. Air Cond.			
				9929596DY	1
	FACIA ASSY. — Black	VD 5 Litre Eng. exc. Air Cond.			
				9928445CY	1
	FACIA ASSY. — Black	VD 5 Litre Eng. Air Cond.			
				9929595CY	1
	PLUG — Choke control hole	4 Cyl. Eng.		9930800	1
	PLUG — Choke control hole	8 Cyl. Eng.		9930800	1
9.779	HEATER and DEMISTER COMPONENTS				
	BUSHING — Heater door	ALL		VS12783	1
	CABLE ASSY. — Demist control (white clamp)	Exc. Air Cond.			
		RIGHT HAND DRIVE		9928893	1
		LEFT HAND DRIVE		9933003	1
	CABLE ASSY. — Heater control (red clamp)				
		RIGHT HAND DRIVE		9928894	1
		LEFT HAND DRIVE		9933004	1
	CABLE ASSY. — Interior control (black clamp)				
		RIGHT HAND DRIVE		9928892	1
		LEFT HAND DRIVE		9933002	1
	CABLE — Air door control				
		RIGHT HAND DRIVE		VS12794	1
		LEFT HAND DRIVE		VS12793	1
	CLIP — Heater and demister cables to heater case ..	ALL		SP2207	2
	CASE ASSY. — Heater with levers				
		RIGHT HAND DRIVE	RH	VS12780	1
		LEFT HAND DRIVE	LH	VS12781	1

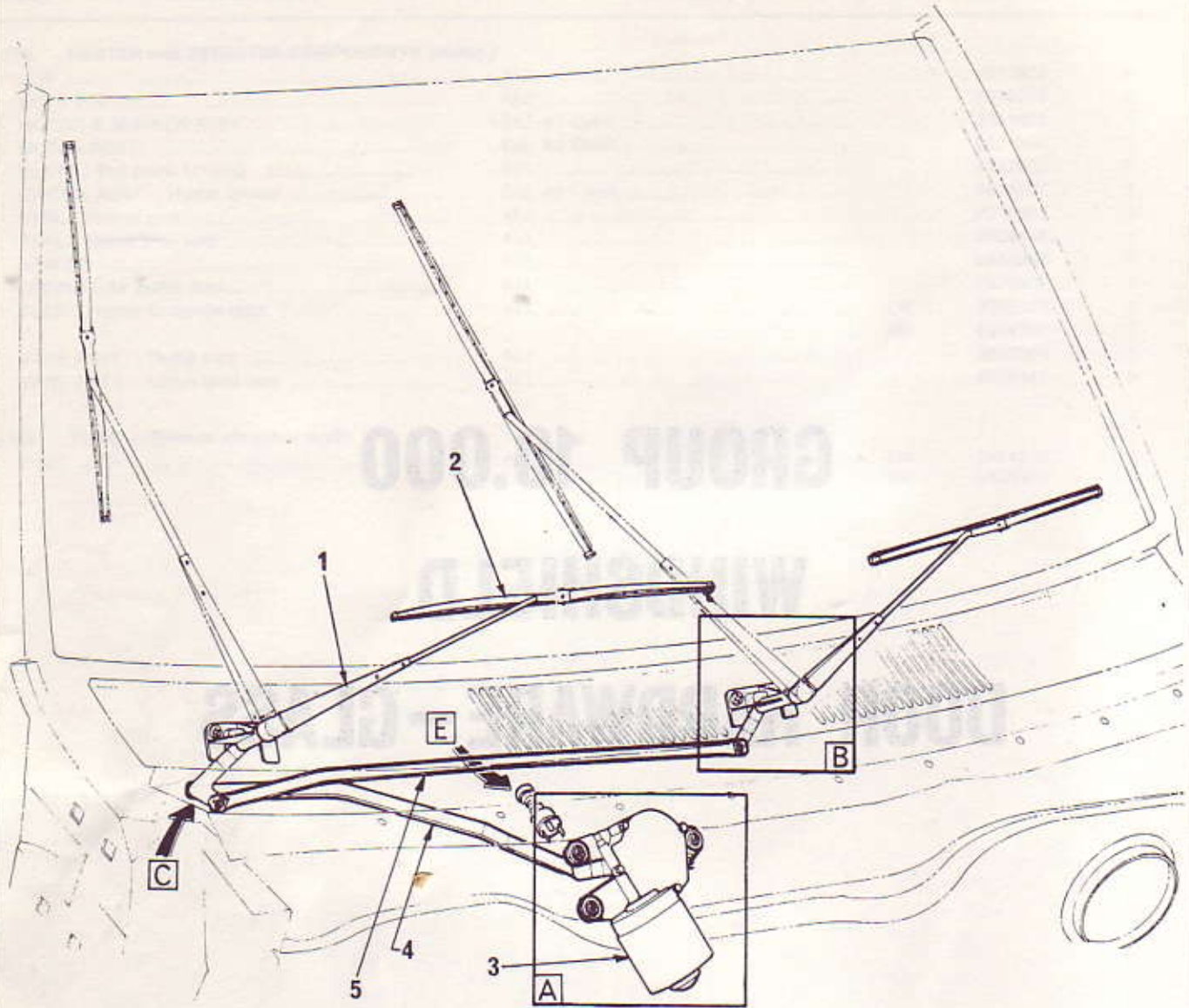
HOLDEN "LH" PARTS CATALOGUE

GROUP	DESCRIPTION	MODEL	SIDE	PART No.	QTY.
9.779 HEATER and DEMISTER COMPONENTS (contd.)					
CASE - Heater without levers		RIGHT HAND DRIVE	LH	9929205	1
			RH	9929204	1
CASE - Heater		LEFT HAND DRIVE	LH	9929207	1
			RH	9929208	1
CLIP - Edge	ALL			VS12792	6
CLIP - Push on	ALL			VS12799	1
CONTROL ASSY. - Heater	Exc. Air Cond.			9928379	1
CORE AND FITTING ASSY. - Heater		RIGHT HAND DRIVE		2824893	1
COVER - Tank end		LEFT HAND DRIVE		VS12782	1
DOOR ASSY. - Fresh air	ALL		LH	VS12791	1
			RH	VS12980	1
DOOR ASSY. - Heater	ALL			VS12790	1
DOOR - Air outlet	ALL			VS12798	1
PIN - Air outlet door pivot	ALL			VS12806	1
DOOR - Demist	ALL			VS12789	1
DUCT ASSY. - Demist	ALL			2824669	1
BOLT - Demist duct. to inst. panel shroud	ALL			SP2462	3
NUT - Demist duct. attaching bolt, push on	ALL			SP2466	3
NUT - Demist duct. attaching bolt, wing	ALL			SP2267	3
WASHER - Demist duct attaching bolt	ALL			SP1438	3
DUCT - Upper level outlet	ALL			9928449	2
GASKET	ALL			VS12797	1
HOSE - Heater inlet to manifold	6 Cyl. Eng. exc. Air Cond.	RIGHT HAND DRIVE		9928602	1
		LEFT HAND DRIVE		9929736	1
HOSE - Heater inlet to manifold	4.2 Litre Eng. exc. Air Cond.	RIGHT HAND DRIVE		9929674	1
		LEFT HAND DRIVE		2820892	1
HOSE - Heater inlet to manifold	5 Litre Eng. exc. Air Cond.			9928623	1
HOSE - Heater inlet to water pump	5 Litre Eng. exc. Air Cond.			9928598	1
HOSE - Heater outlet to thermostat housing	6 Cyl. Eng. exc. Air Cond.	RIGHT HAND DRIVE		9928592	1
		LEFT HAND DRIVE		2818166	1
CLIP - Inlet to outlet hose	6, 8 Cyl. Eng. exc. Air Cond.			7433806	A.R.
CLAMP - Hose .97" dia.	6, 8 Cyl. Eng. exc. Air Cond.			SP1701	A.R.
CLAMP - Hose 1.03" dia.	6, 8 Cyl. Eng. exc. Air Cond.			SP1610	A.R.
HOSE - Heater outlet to water pump	4 Cyl. Eng.	RIGHT HAND DRIVE		9933196	1
		LEFT HAND DRIVE		9929734	1
HOSE - Heater outlet to water pump	8 Cyl. Eng. exc. Air Cond.	RIGHT HAND DRIVE		9928598	1
		LEFT HAND DRIVE		2813325	1
HOSE - Thermostat housing to heater inlet	4 Cyl. Eng. exc. Air Cond.	RIGHT HAND DRIVE		9932893	1
		LEFT HAND DRIVE		2813324	1
CLIP - Inlet to outlet hose	ALL			7433806	A.R.
CLAMP - Hose 1.12" dia.	4 Cyl. Eng. exc. Air Cond.			SP1758	A.R.
CLAMP - Hose .97" dia.	Exc. Air Cond.			SP1701	A.R.
CLAMP - Hose 1.03" dia.	6, 8 Cyl. Eng. exc. Air Cond.			SP1610	A.R.
HOUSING - Heater blower duct	Exc. Air Cond.			2824344	1
HOUSING - Heater vent outlet	ALL			9931601	1
IMPELLER - Heater blower	Exc. Air Cond.			2818456	1
NUT - Impeller to heater motor shaft	Exc. Air Cond.			3011293	1
WASHER - Impeller to heater motor shaft	Exc. Air Cond.			3004686	1
INLET ASSY. - Heater air	Exc. Air Cond.			2824861	1
SEAL - Air inlet to dash	Exc. Air Cond.			2818641	1
KNOB - Control lever	ALL			9929852	2
SCREW - Control lever knob	ALL			454649	2
LEVER - Demist door	Exc. Air Cond.			VS12785	1
LEVER - Fresh air door	Exc. Air Cond.	RIGHT HAND DRIVE		VS12786	1
		LEFT HAND DRIVE		VS12804	1
LEVER - Fresh air door	Air Cond.	LEFT HAND DRIVE		VS12788	1
LEVER - Heater door	ALL			VS12800	1
NOZZLE - Heater interior outlet	ALL		LH	9931645	1
			RH	9931646	1

HOLDEN "LH" PARTS CATALOGUE

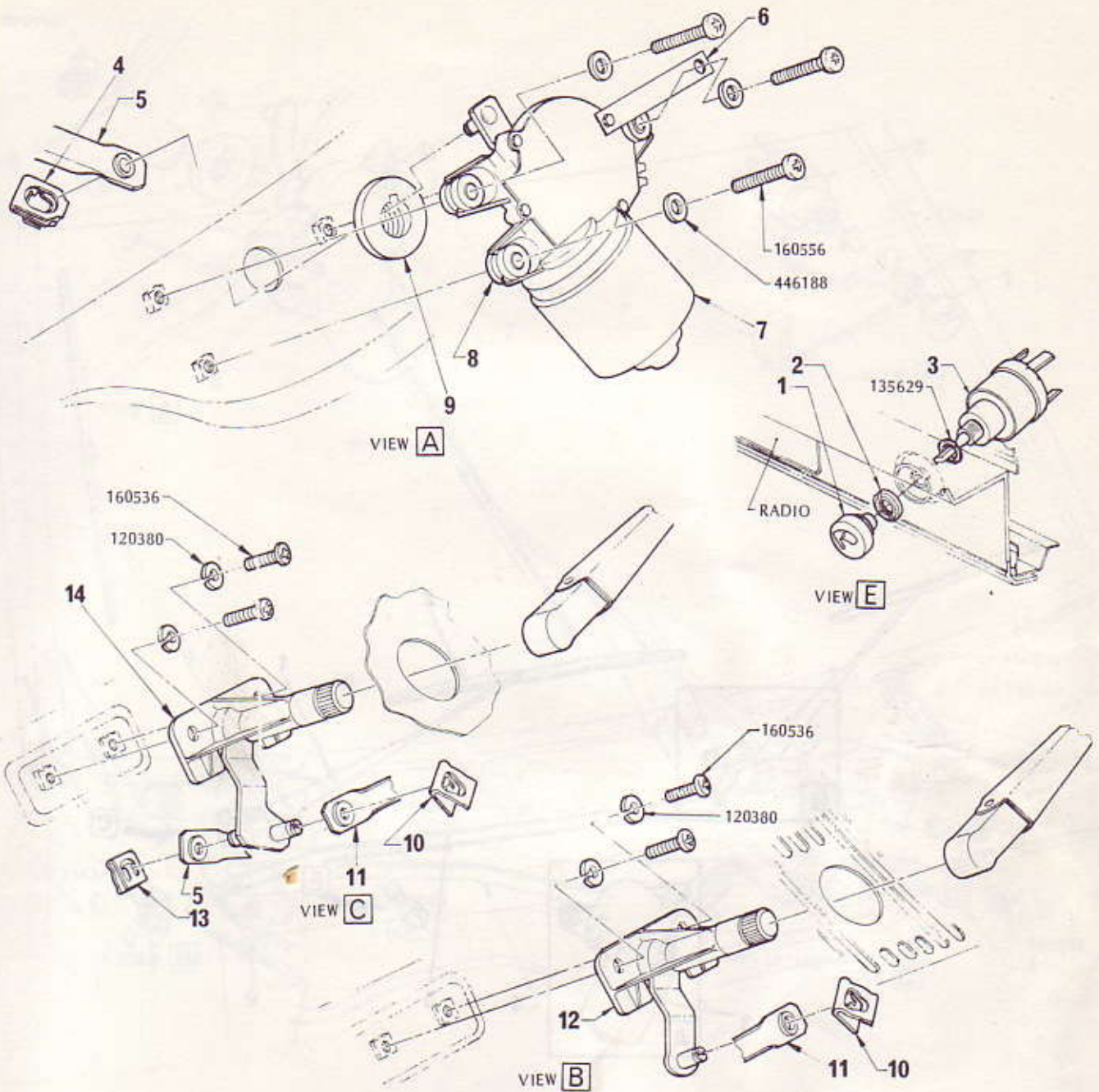
GROUP	DESCRIPTION	MODEL	SIDE	PART No.	QTY.
9.779	HEATER and DEMISTER COMPONENTS (contd.)				
	NUT	ALL		VS12802	6
	NUT - Push on	ALL		VS12796	2
	MOTOR & BLOWER ASSY.	Exc. Air Cond.		9931065	1
	MOTOR ASSY.	Exc. Air Cond.		9931066	1
	PLATE - Bell crank housing	ALL		VS12803	1
	SWITCH ASSY. - Heater blower	Exc. Air Cond.		2814897	1
	SEAL - Heater core	ALL		VS12801	1
	SEAL - Upper level vent	ALL		9928448	1
	SPACER	ALL		VS12805	1
	SPRING - Air outlet door	ALL		VS12807	1
	TUBE - Heater to demist duct.	ALL	LH	9929703	1
			RH	9929702	1
	VANE ASSY. - Outlet vent	ALL		9930560	2
	VANE ASSY. - Upper level vent	ALL		9928447	2
9.785	TUBE — Plenum chamber drain				
	TUBE	ALL	LH	2824319	1
			RH	2824320	1

GROUP 10.000
WINDSHIELD
DOOR HARDWARE - GLASS



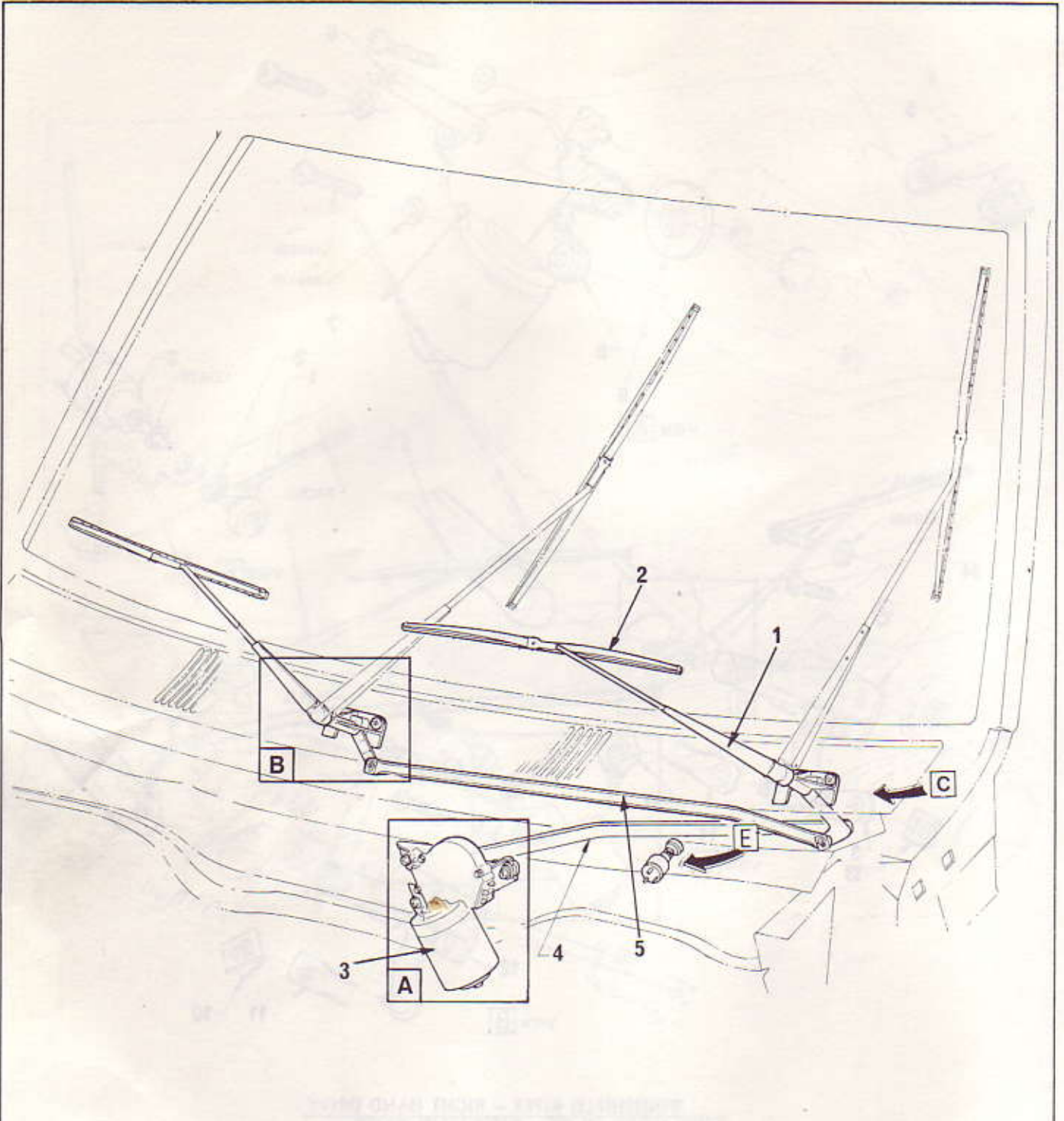
WINDSHIELD WIPER – RIGHT HAND DRIVE

ILLUS. REF. NO.	PART NAME	GROUP	ILLUS. REF. NO.	PART NAME	GROUP
1.	ARM ASSEMBLY	10.147	4.	LINK ASSEMBLY – Drive	10.159
2.	BLADE ASSEMBLY	10.146	5.	LINK ASSEMBLY – Driven	10.159
3.	MOTOR ASSEMBLY	10.150			



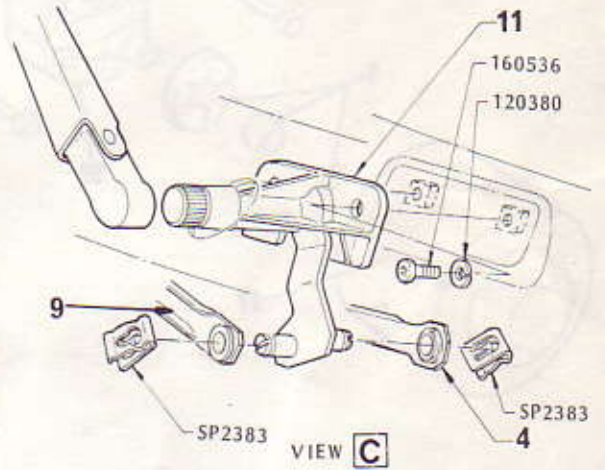
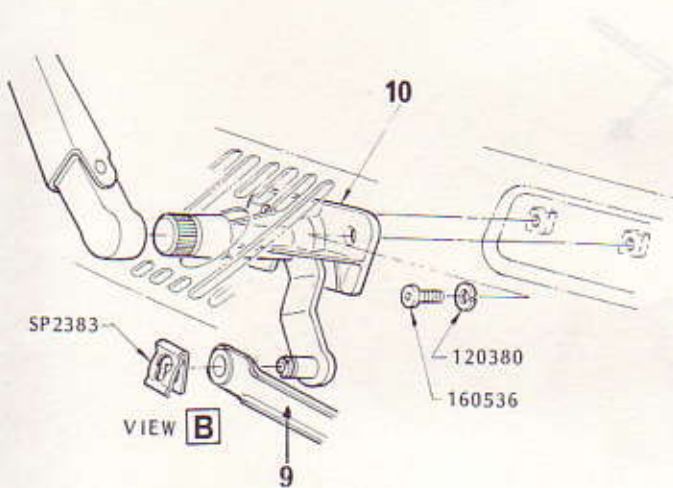
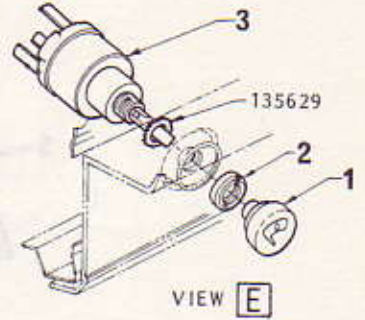
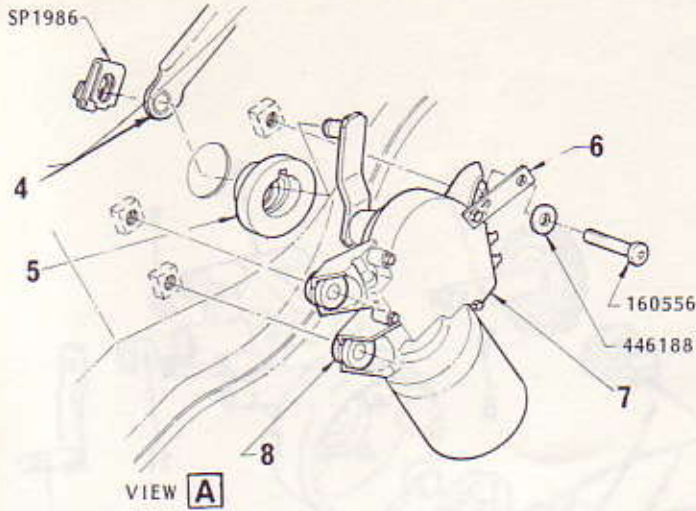
WINDSHIELD WIPER – RIGHT HAND DRIVE

ILLUS. REF. NO.	PART NAME	GROUP	ILLUS. REF. NO.	PART NAME	GROUP
1.	KNOB – Switch	10.163	8.	GROMMET	10.152
2.	NUT – Switch attaching	10.163	9.	SEAL	10.152
3.	SWITCH ASSEMBLY	10.163	10.	CLIP – Driven link attaching	10.160
4.	CLIP – Drive link to wiper motor	10.160	11.	LINK ASSEMBLY – Driven	10.159
5.	LINK ASSEMBLY – Drive	10.159	12.	PIVOT & BRACKET ASSY. – Driven	10.159
6.	STRAP – Earth	10.150	13.	CLIP – Drive link to pivot	10.160
7.	MOTOR ASSEMBLY	10.150	14.	PIVOT & BRACKET ASSY. – Drive	10.159



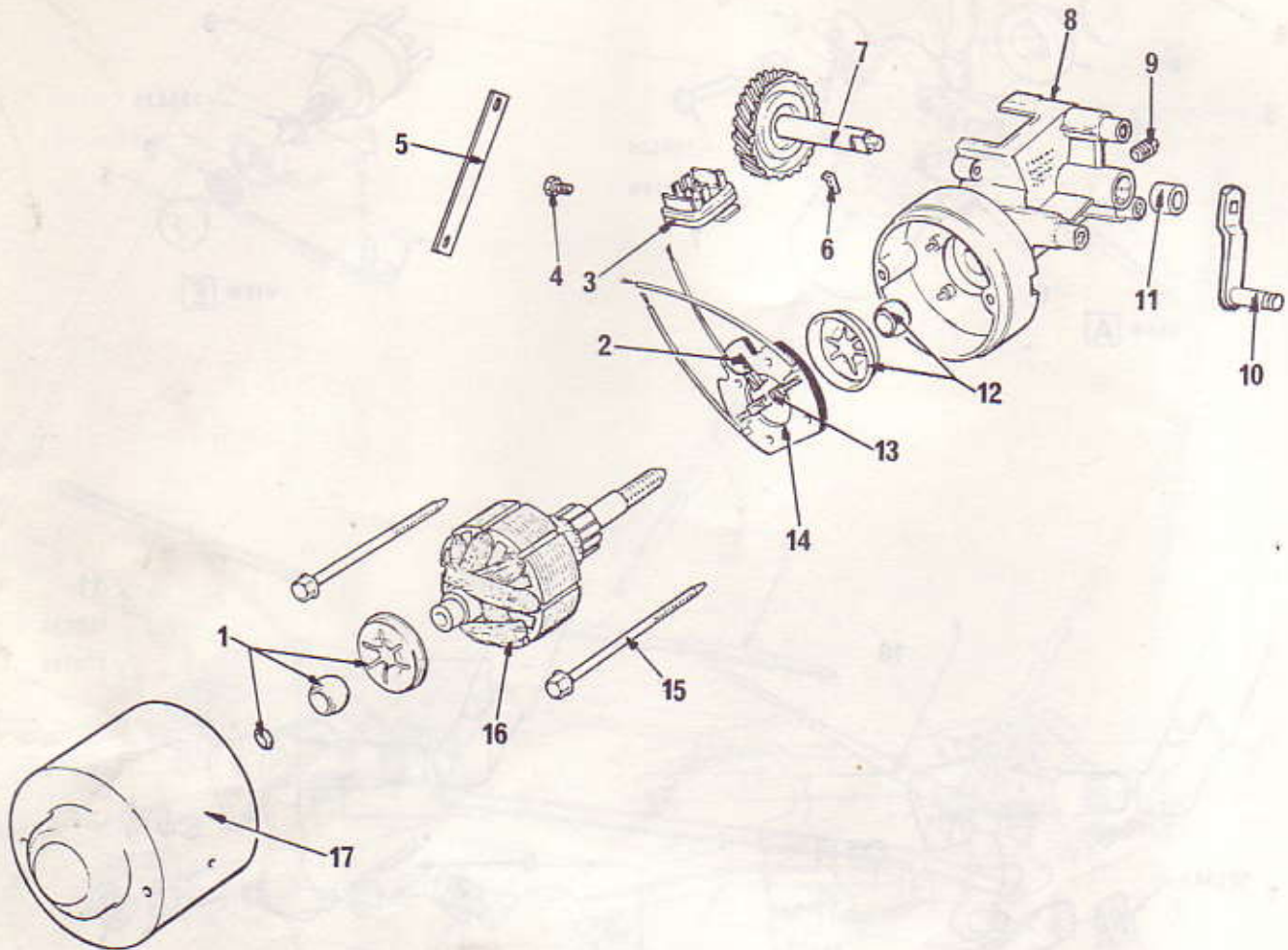
WINDSHIELD WIPER - LEFT HAND DRIVE

ILLUS. REF. NO.	PART NAME	GROUP
1.	ARM ASSY.	10.147
2.	BLADE ASSY.	10.146
3.	MOTOR ASSY.	10.150
4.	LINK ASSY. - Drive	10.159
5.	LINK ASSY. - Driven	10.159



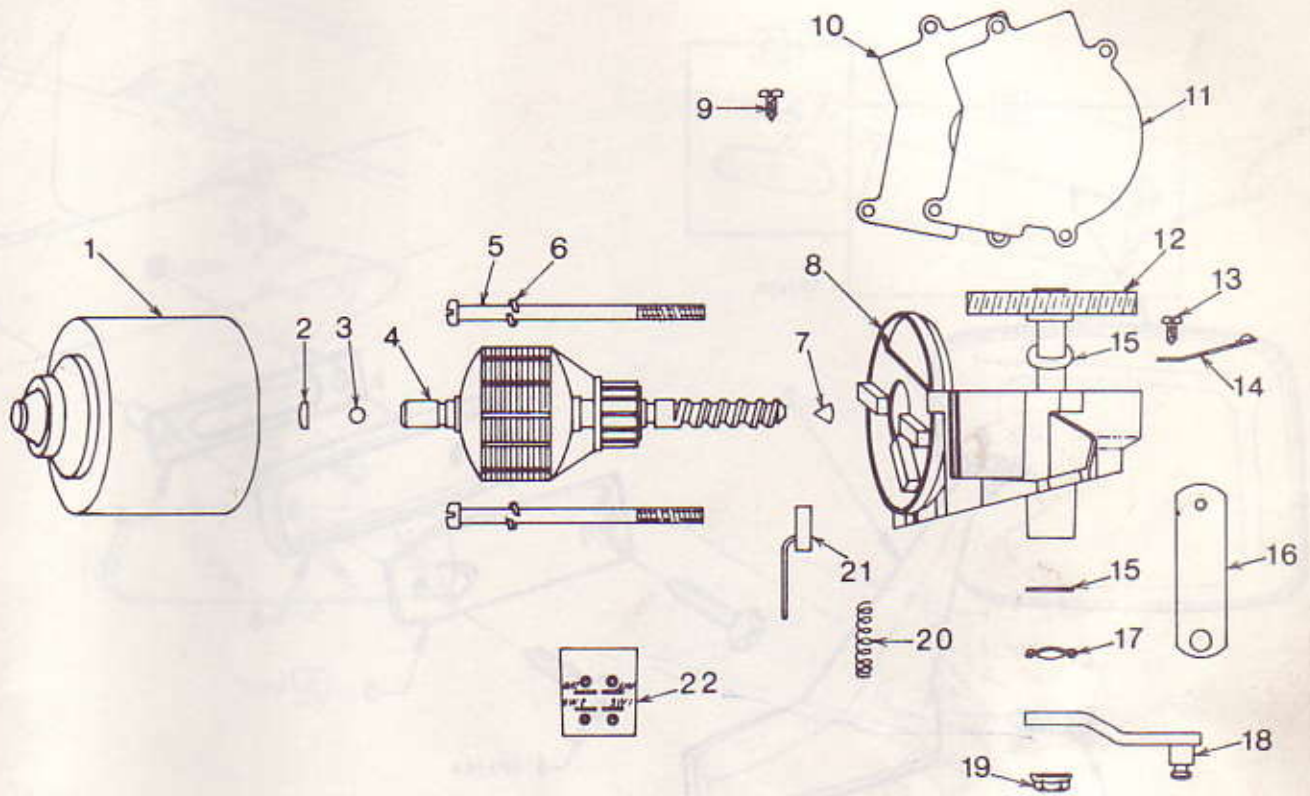
WINDSHIELD WIPER - LEFT HAND DRIVE

ILLUS. REF. NO.	PART NAME	GROUP
1.	KNOB - Switch	10.163
2.	NUT - Switch attaching	10.163
3.	SWITCH ASSY.	10.163
4.	LINK ASSY. - Drive	10.159
5.	SEAL	10.152
6.	STRAP - Earth	10.150
7.	MOTOR ASSY.	10.150
8.	GROMMET	10.152
9.	LINK ASSY. - Driven	10.159



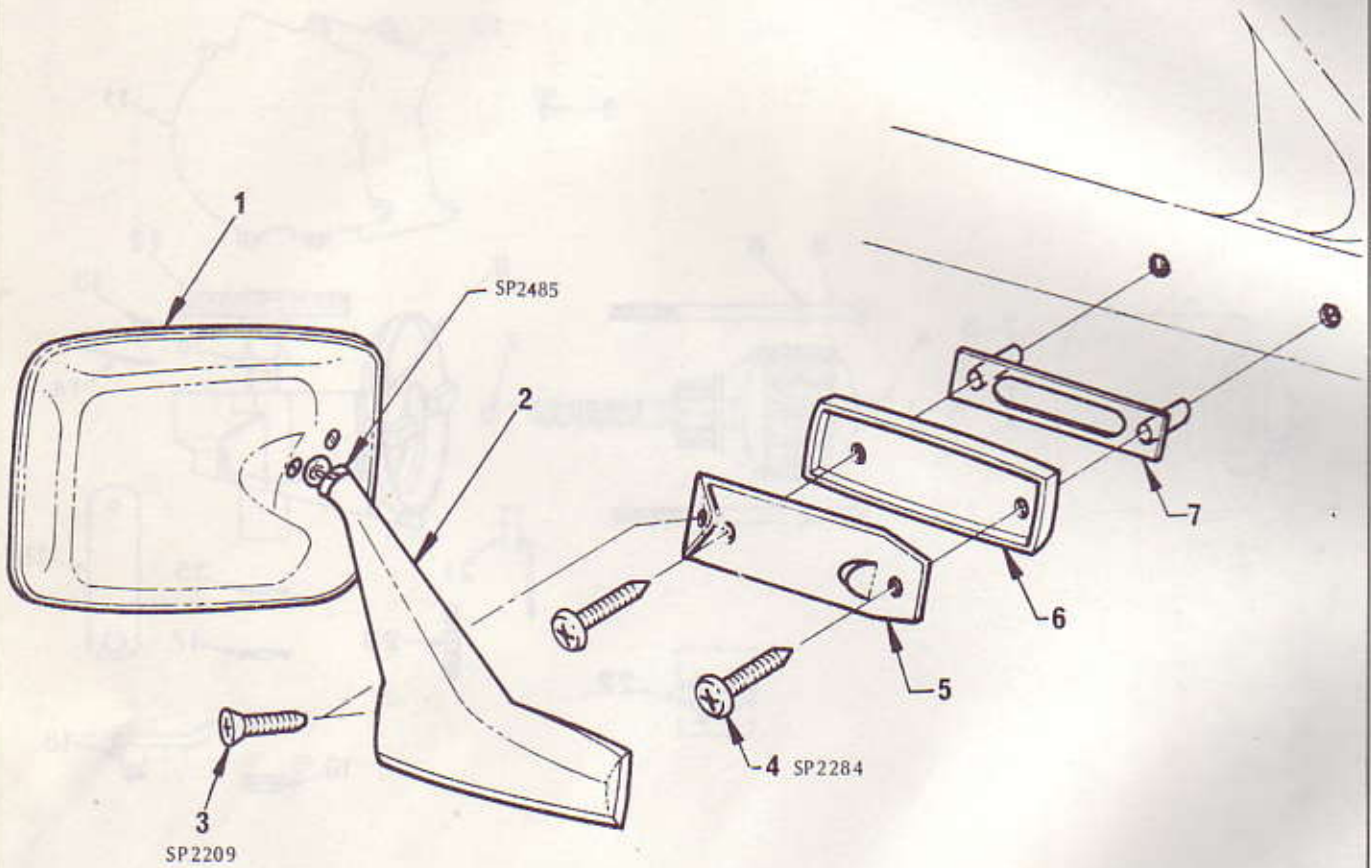
**WINDSHIELD WIPER MOTOR
LUCAS**

ILLUS. REF. NO.	PART NAME	GROUP	ILLUS. REF. NO.	PART NAME	GROUP
1.	BEARING SET - Yoke	10.150	10.	CRANK ASSY.	10.150
2.	SPRING SET - Brush	10.150	11.	BEARING - Drive shaft	10.150
3.	TERMINAL - Switch	10.150	12.	BEARING SET. - Comm. end	10.150
4.	SCREW - Cover attaching	10.150	13.	BRUSH SET	10.150
5.	STRAP - Earth	10.150	14.	BRUSH GEAR	10.150
6.	CONTACT - Earth	10.150	15.	BOLT - Through	10.150
7.	GEAR & SHAFT ASSY.	10.150	16.	ARMATURE ASSEMBLY	10.150
8.	COVER - Gearbox	10.150	17.	YOKE ASSEMBLY	10.150
9.	SCREW - Thrust	10.150			



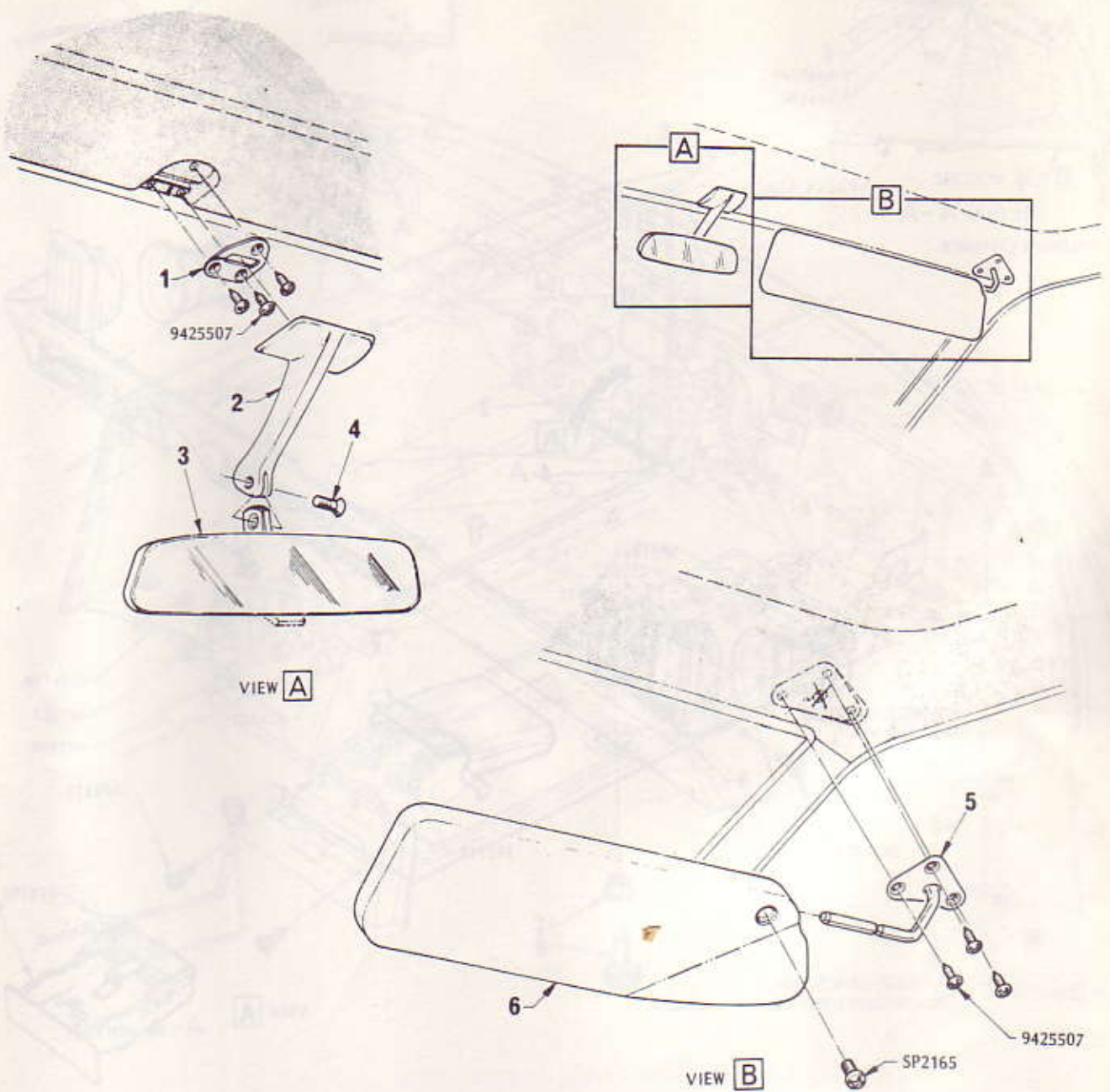
**WINDSHIELD WIPER MOTOR
PRESLITE**

ILLUS. REF. NO.	PART NAME	GROUP	ILLUS. REF. NO.	PART NAME	GROUP
1.	HOUSING - Armature	10.150	12.	GEAR & SHAFT ASSEMBLY	10.150
2.	PAD - Armature thrust	10.150	13.	SCREW - Earth finger	10.150
3.	BALL - Armature thrust	10.150	14.	FINGER - Earth	10.150
4.	ARMATURE ASSEMBLY	10.150	15.	WASHER - Gear & shaft flat	10.150
5.	BOLT - Through	10.150	16.	STRAP - Earth	10.150
6.	WASHER	10.150	17.	WASHER - Gear & shaft wave	10.150
7.	CONE - Armature thrust	10.150	18.	CRANK ASSEMBLY	10.150
8.	HOUSING ASSEMBLY - Gear	10.150	19.	NUT - Crank retaining	10.150
9.	SCREW	10.150	20.	SPRING - Brush	10.150
10.	GASKET	10.150	21.	BRUSH	10.150
11.	PLATE - Cover	10.150	22.	TERMINAL BLOCK ASSEMBLY	10.150



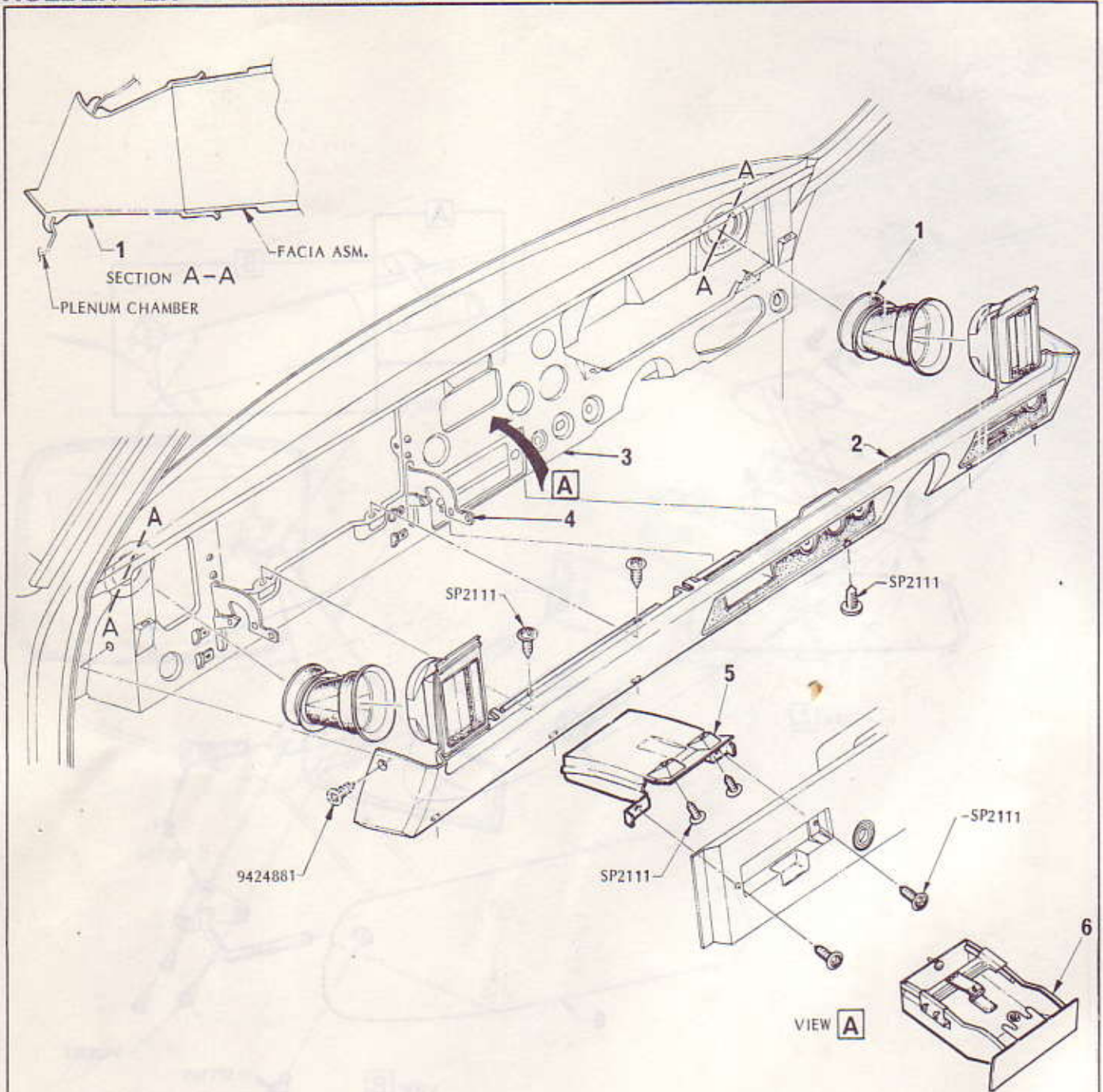
FRONT DOOR MIRROR

ILLUS. REF. NO.	PART NAME	GROUP	ILLUS. REF. NO.	PART NAME	GROUP
1.	MIRROR ASSEMBLY – Exterior	10.185	5.	BRACKET – Exterior mirror mounting	10.187
2.	SUPPORT ASSEMBLY – Exterior	10.187	6.	PAD – Exterior mirror mounting	10.187
3.	SCREW – Support to mounting bracket	10.187	7.	NUT – Mounting twin	10.187
4.	SCREW – Mounting bracket to door	10.187			



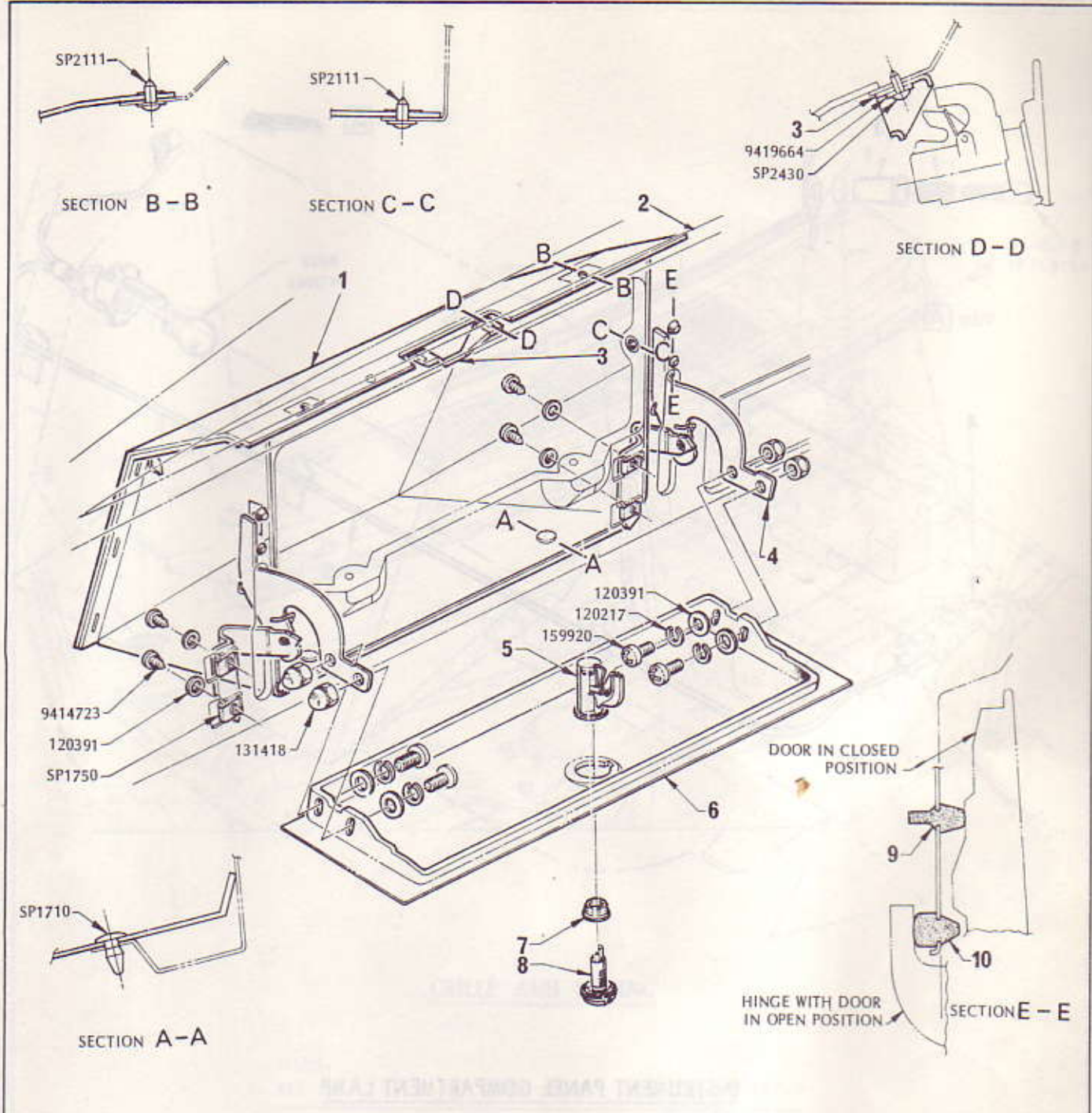
SUN VISOR and INTERIOR MIRROR

ILLUS. REF. NO.	PART NAME	GROUP	ILLUS. REF. NO.	PART NAME	GROUP
1.	PLATE - Support mounting	10.187	4.	SCREW - Mirror pivot	10.185
2.	SUPPORT ASSEMBLY - Interior	10.187	5.	SUPPORT & PIVOT ASSEMBLY	10.219
3.	MIRROR ASSEMBLY - Interior	10.185	6.	SUN VISOR ASSEMBLY	10.203



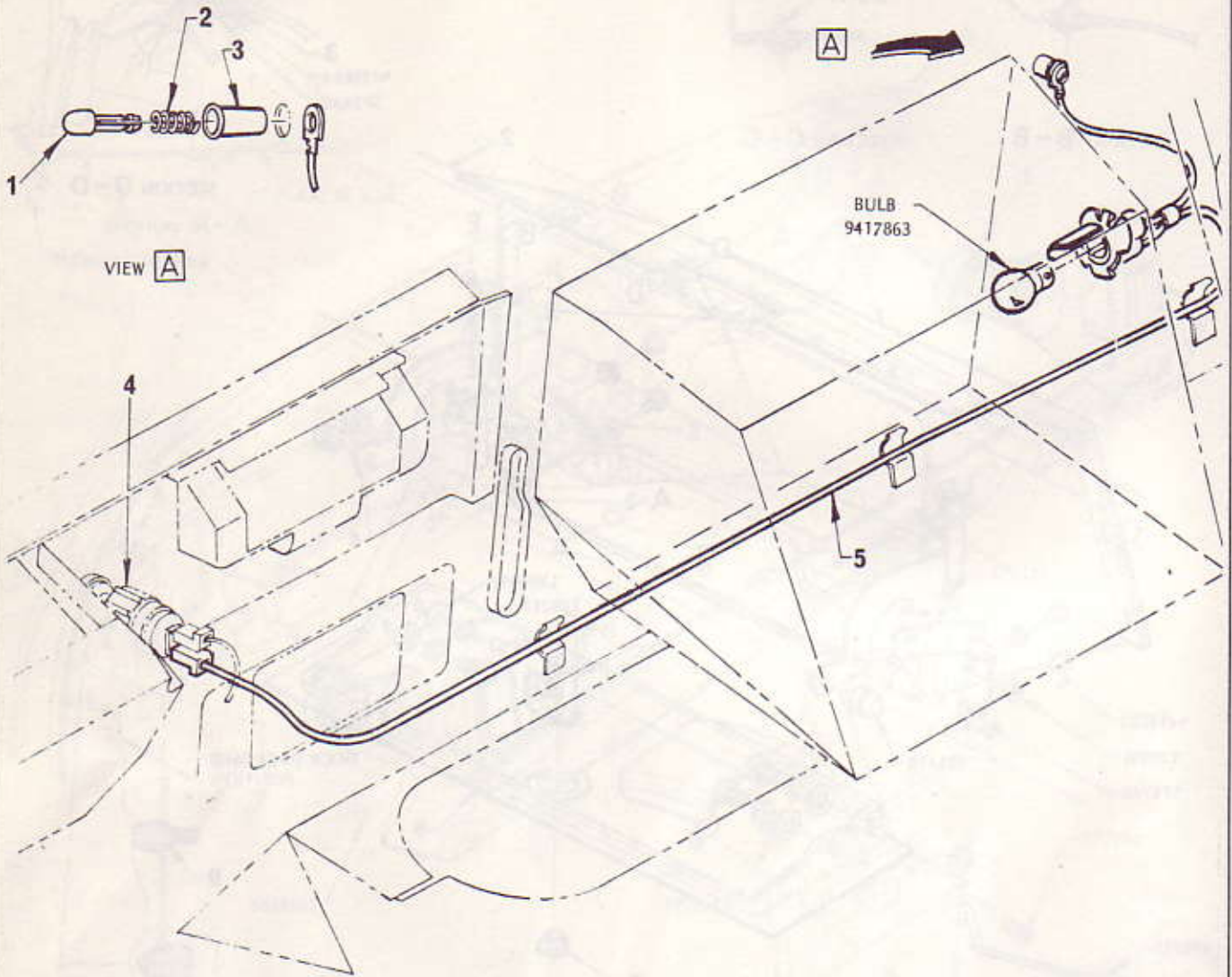
ASH TRAY and INSTRUMENT PANEL FACIA

ILLUS. REF. NO.	PART NAME	GROUP	ILLUS. REF. NO.	PART NAME	GROUP
1.	DUCT - Upper level outlet	9.779	4.	HINGE ASSEMBLY	10.262
2.	FACIA ASSEMBLY - Instrument panel	9.743	5.	PANEL - Ash tray mounting	12.030
3.	PANEL ASSEMBLY - Instrument	10.230	6.	ASH TRAY ASSEMBLY	12.030



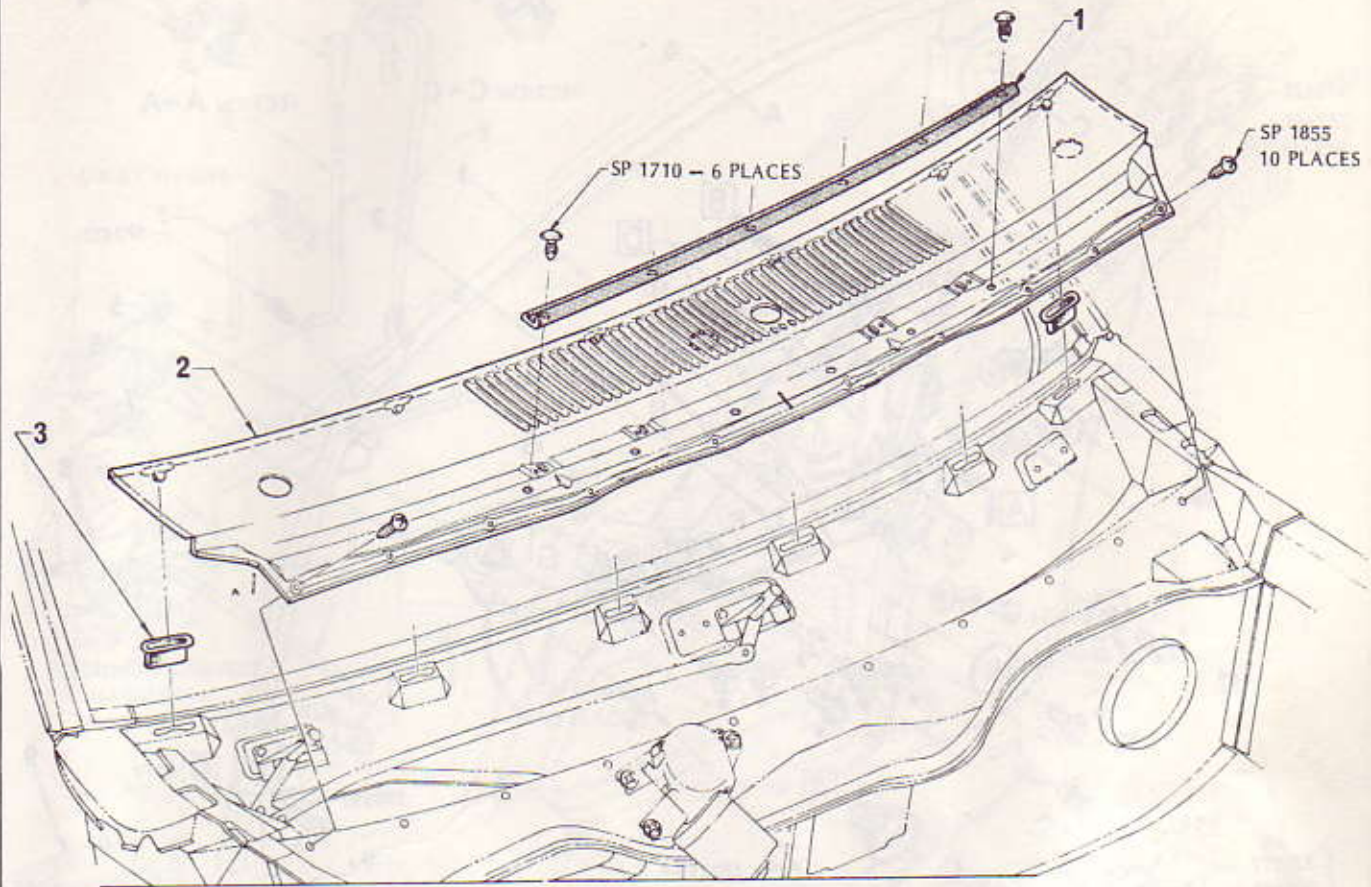
INSTRUMENT PANEL COMPARTMENT and LID

ILLUS. REF. NO.	PART NAME	GROUP	ILLUS. REF. NO.	PART NAME	GROUP
1.	COMPARTMENT ASSEMBLY	10.260	6.	LID ASSEMBLY	10.261
2.	PANEL ASSEMBLY - Instrument	10.230	7.	ESCUTCHEON - Lock case	10.266
3.	STRIKER	10.268	8.	LOCK ASSEMBLY	10.266
4.	HINGE ASSEMBLY	10.262	9.	BUMPER	10.263
5.	CASE ASSEMBLY	10.266	10.	BUMPER - Hinge	10.263



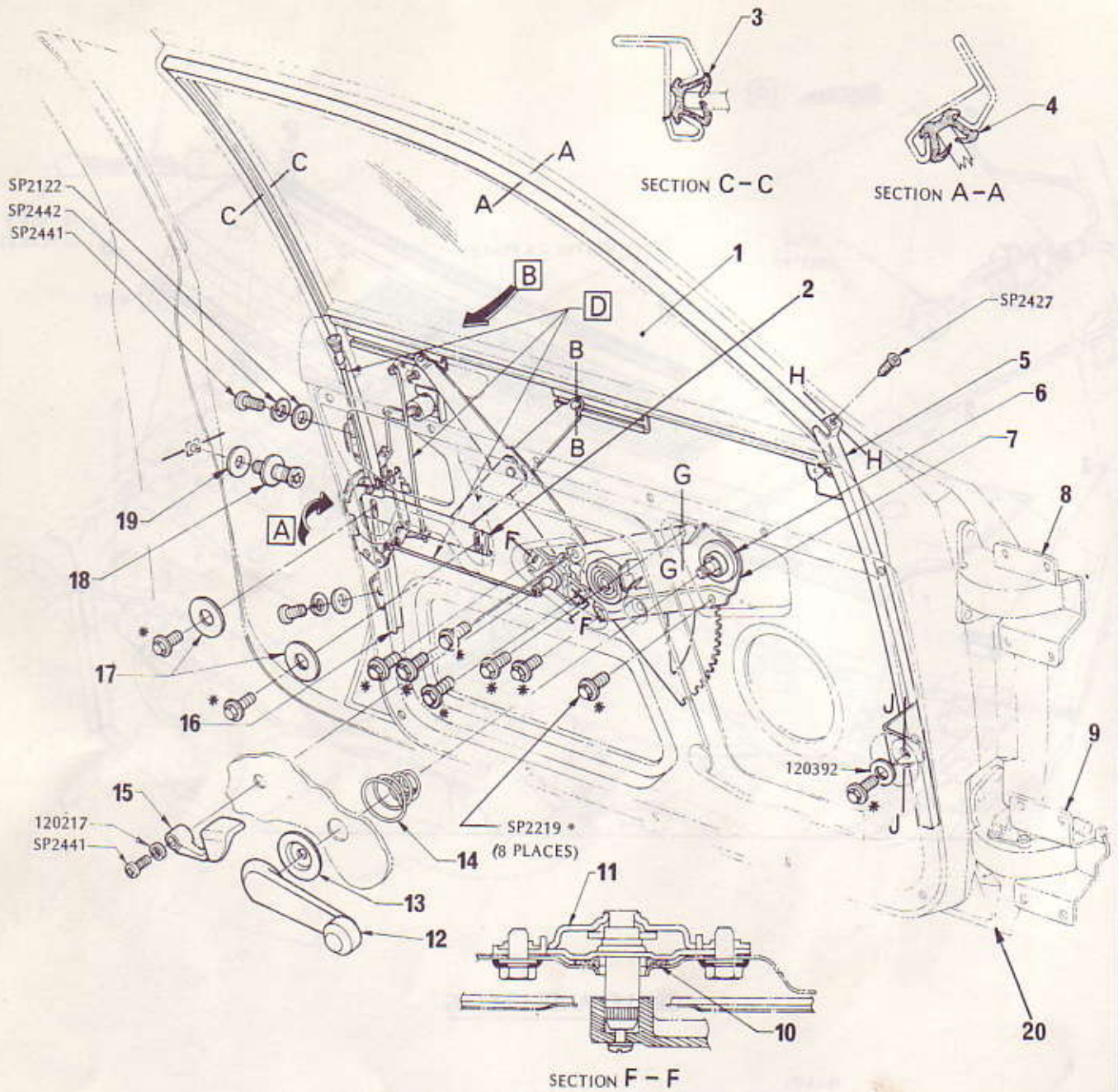
INSTRUMENT PANEL COMPARTMENT LAMP

ILLUS. REF. NO.	PART NAME	GROUP	ILLUS. REF. NO.	PART NAME	GROUP
1.	PLUNGER - Switch	10.270	4.	LIGHTER ASSY. - Cigarette	9.709
2.	SPRING - Switch	10.270	5.	LEAD ASSY. - Lamp	10.270
3.	BODY - Switch	10.270			



GRILLE AND LACING

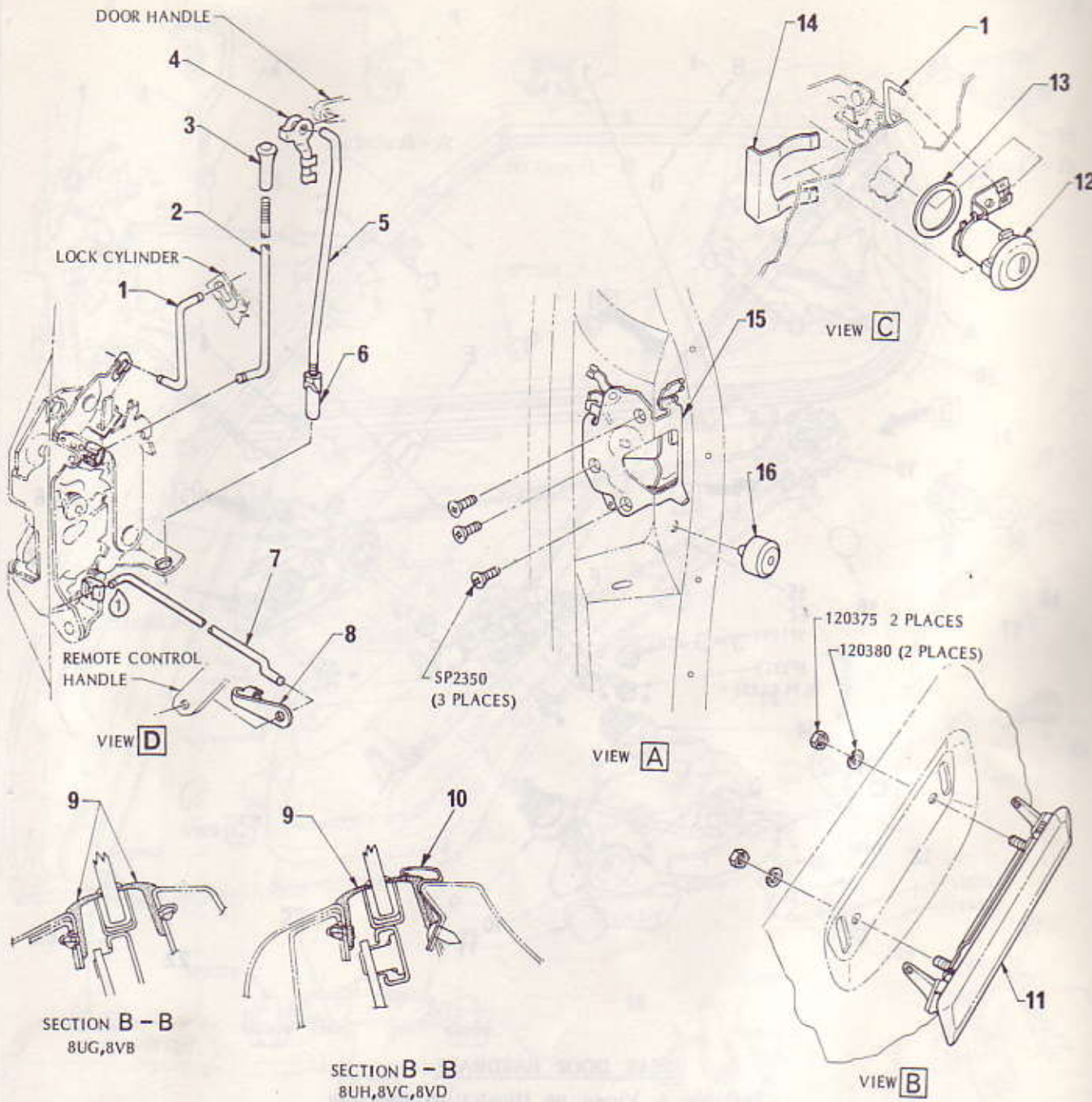
ILLUS. REF. NO.	PART NAME	GROUP
1.	LACING - Hood ledge	9.127
2.	GRILLE - Shroud ventilator	10.307
3.	SEAL - Grille	10.307



FRONT DOOR HARDWARE

Sections & Views on Illustration Opposite

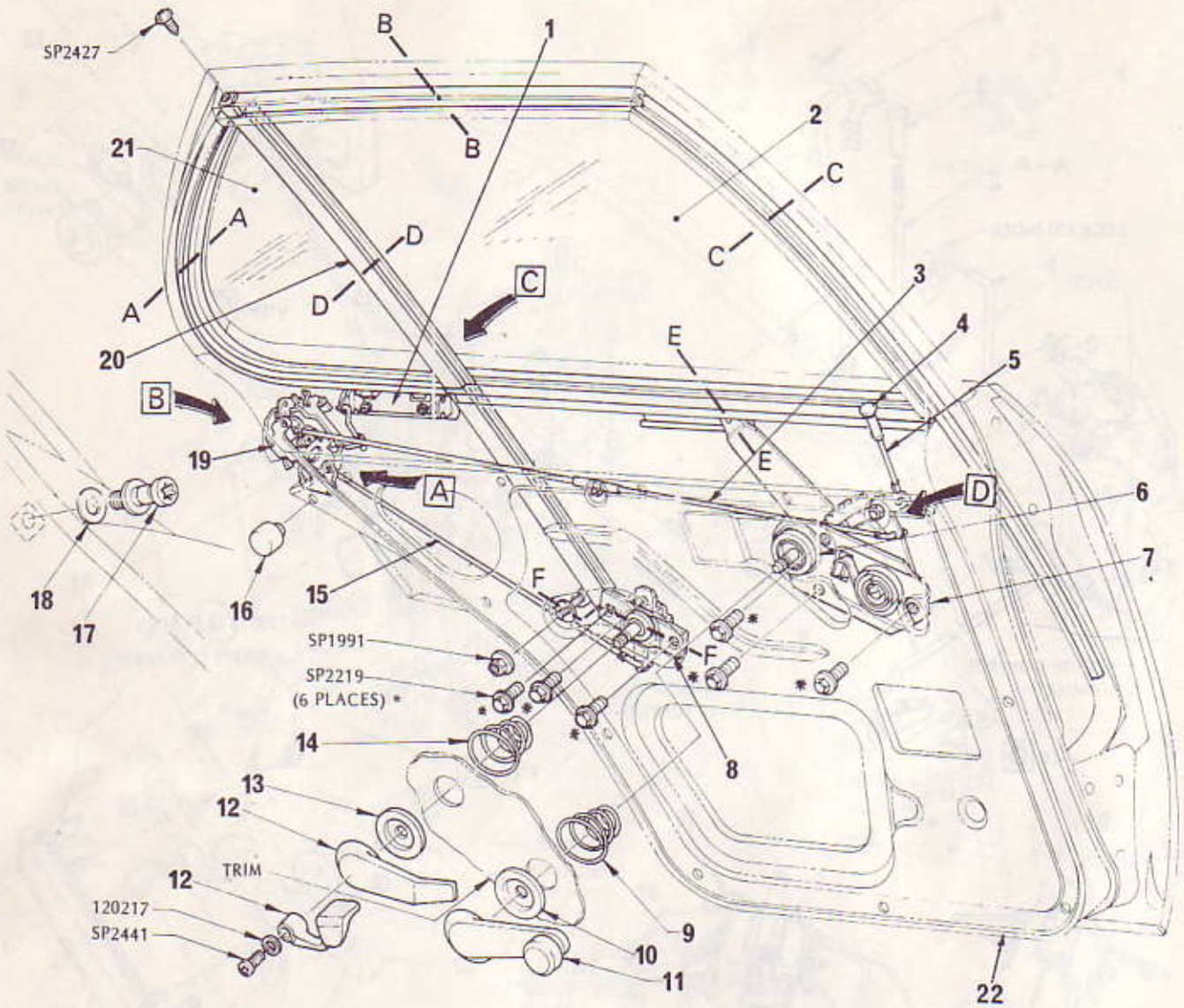
ILLUS. REF. NO.	PART NAME	GROUP	ILLUS. REF. NO.	PART NAME	GROUP
1.	GLASS - Front door	10.681	12.	HANDLE ASSY.	10.797
2.	CAM ASSY. - Sliding	10.783	13.	PLATE - Handle bearing	10.797
3.	CHANNEL - Rear	10.701	14.	SPRING	10.806
4.	CHANNEL - Front	10.701	15.	HANDLE ASSY. - Door remote	10.512
5.	RETAINER - Front channel	10.701	16.	RETAINER - Rear channel	10.701
6.	WASHER - Rubber	10.783	17.	WASHER - Cam to door	10.783
7.	REGULATOR ASSY.	10.783	18.	STRIKER ASSY.	10.569
8.	HINGE ASSY. - Upper	10.450	19.	SPACER - Striker	10.571
9.	HINGE ASSY. - Lower	10.454	20.	DOOR ASSY. - Less trim	10.351
10.	GASKET - Remote control	10.516		PANEL ASSY.	12.895
11.	CONTROL ASSY. - Door lock remote	10.500		PANEL - Outer	12.895



FRONT DOOR HARDWARE

Sections & Views from Illustration Opposite

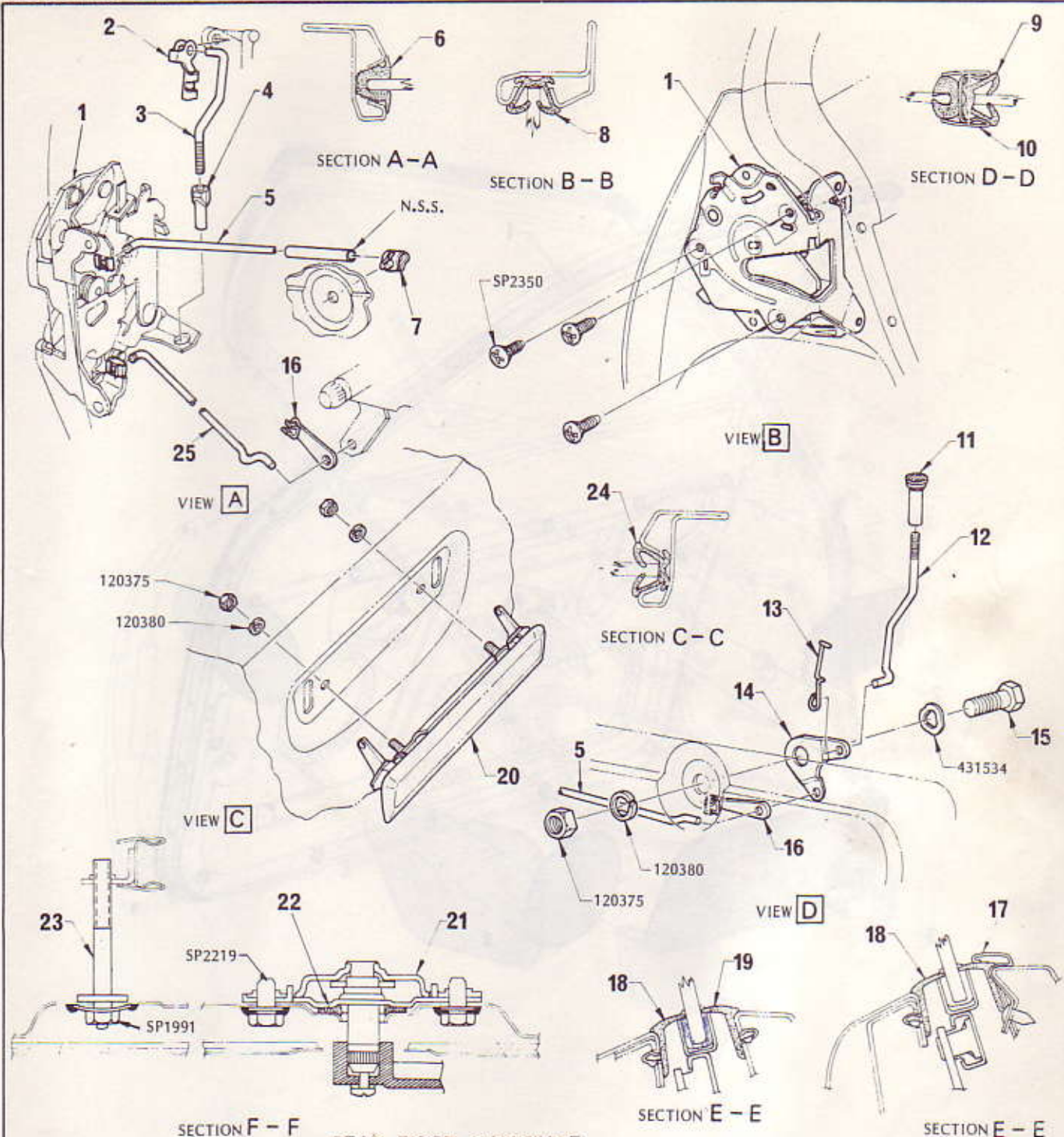
ILLUS. REF. NO.	PART NAME	GROUP	ILLUS. REF. NO.	PART NAME	GROUP
1.	ROD	10.507	9.	WEATHERSTRIP	10.710
2.	ROD - Front	10.563	10.	MOULDING & WEATHERSTRIP - Belt	12.112
3.	KNOB - Front	10.559	11.	HANDLE	10.527
4.	CLIP - Handle to lock conn. rod	10.529	12.	BARREL ASSEMBLY	10.550
5.	ROD - Front handle to lock conn.	10.529	13.	GASKET - Door lock cylinder	10.550
6.	NUT - Rod adjusting	10.529	14.	RETAINER	10.553
7.	ROD - Front door connecting	10.506	15.	LOCK & SEAL ASSY.	10.470
8.	CLIP - Front door rod retaining	10.506	16.	BUMPER	10.587



REAR DOOR HARDWARE

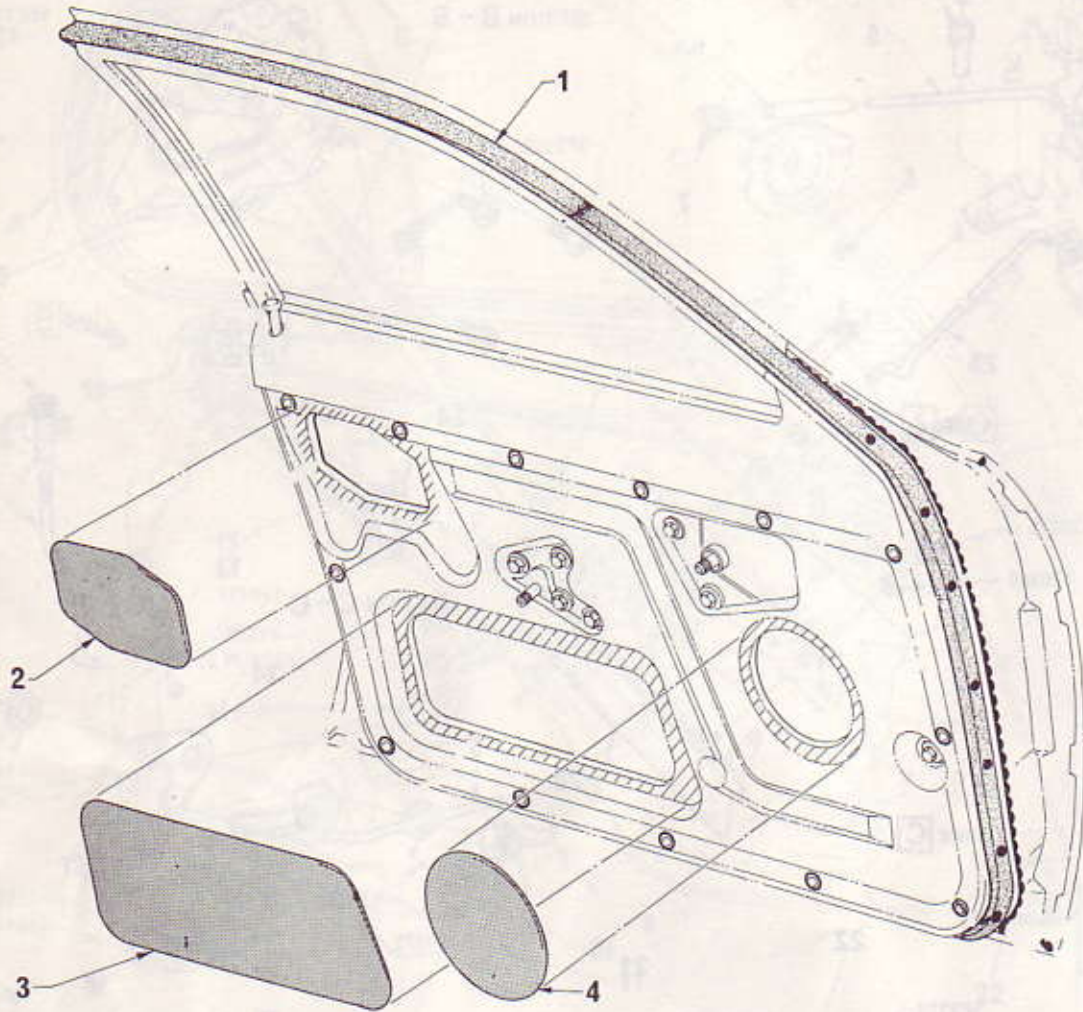
Sections & Views on Illustration Opposite

ILLUS. REF. NO.	PART NAME	GROUP	ILLUS. REF. NO.	PART NAME	GROUP
1.	HANDLE - Door outside	10.527	13.	PLATE - Remote control handle	10.515
2.	GLASS - Door front	10.741	14.	SPRING - Remote control handle	10.516
3.	ROD - Inside locking	10.556	15.	ROD - Connecting	10.506
4.	KNOB - Inside locking rod	10.559	16.	BUMPER - Door pillar	10.587
5.	ROD - Inside locking	10.563	17.	STRIKER - Door lock	10.569
6.	WASHER - Rubber	10.783	18.	SPACER - Door lock striker	10.571
7.	REGULATOR - Window	10.783	19.	LOCK & SEAL ASSY. - Door	10.473
8.	CONTROL - Lock remote	10.500	20.	CHANNEL - Glass division	10.829
9.	SPRING - Regulator handle	10.806	21.	GLASS - Door rear	10.827
10.	PLATE - Regulator handle	10.797	22. {	DOOR ASSY. - Less trim	10.373
11.	HANDLE - Window regulator	10.797		PANEL ASSY.	12.913
12.	HANDLE - Door remote	10.512		PANEL - Outer	12.913



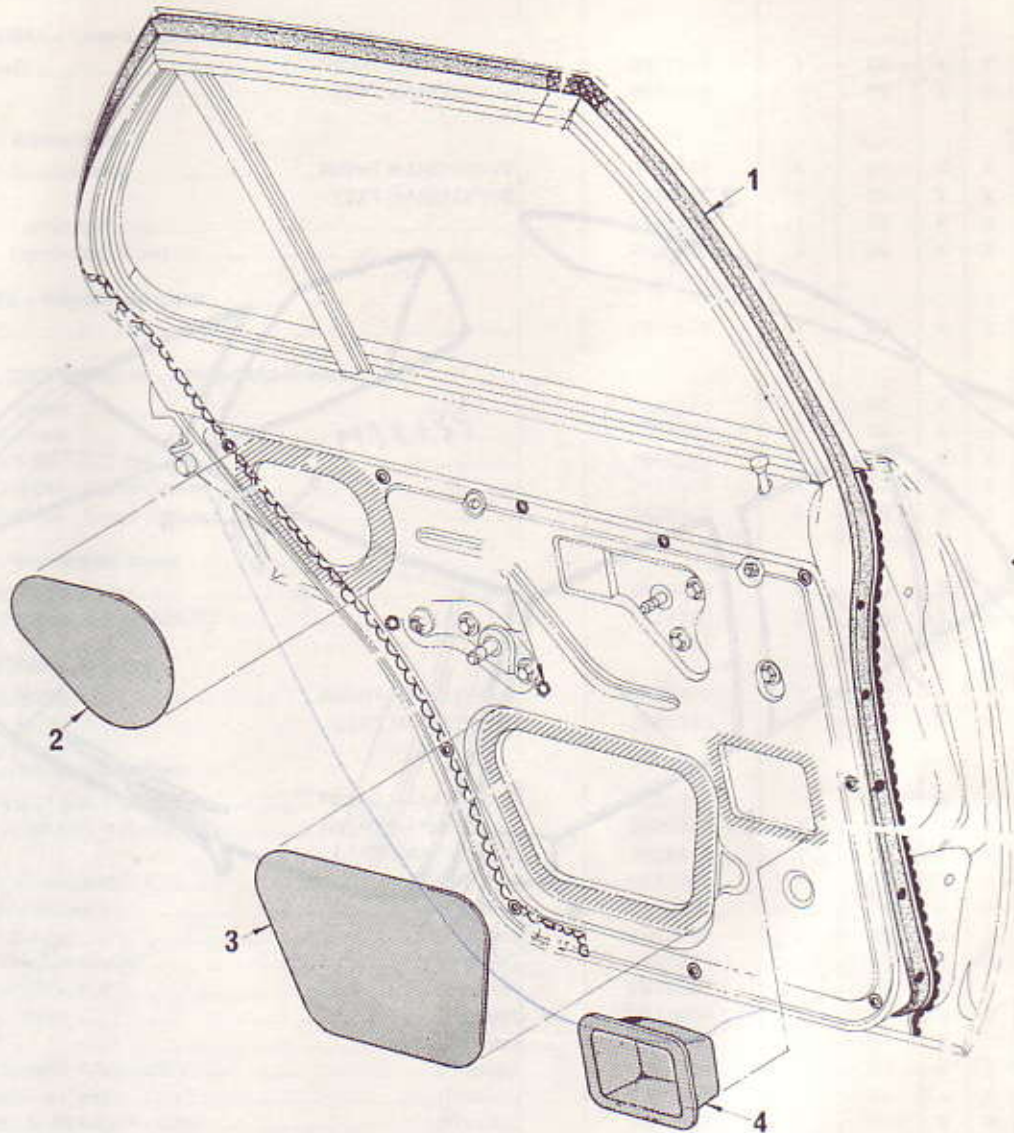
REAR DOOR HARDWARE SECTIONS & VIEWS FROM ILLUSTRATION OPPOSITE

ILLUS. REF. NO.	PART NAME	GROUP	ILLUS. REF. NO.	PART NAME	GROUP
1.	LOCK & SEAL ASSY.	10.473	14.	LEVER - Inside locking	10.556
2.	CLIP - Handle to conn. rod	10.529	15.	BOLT - Locking lever	10.556
3.	ROD - Handle to lock conn.	10.529	16.	CLIP - Rod to lever	10.556
4.	NUT - Rod adjusting	10.529	17.	WEATHERSTRIP - Door outer	10.710
5.	ROD - Door inside locking	10.556	18.	WEATHERSTRIP - Door inner	10.710
6.	WEATHERSTRIP - Rear glass	10.822	19.	MOULDING & WEATHERSTRIP - Door belt	12.114
7.	CLIP - Anti-rattle	10.556	20.	HANDLE - Door outside	10.527
8.	CHANNEL - Glass run - upper	10.759	21.	CONTROL - Door lock remote	10.500
9.	CHANNEL - Glass run - rear	10.759	22.	GASKET - Remote control	10.516
10.	CHANNEL ASSY. - Glass division	10.829	23.	BOLT - Channel to door	10.829
11.	KNOB - Inside locking rod	10.559	24.	CHANNEL - Glass run - front	10.759
12.	ROD - Inside locking	10.563	25.	ROD - Connecting	10.506
13.	CLIP - Inside locking rod	10.563			



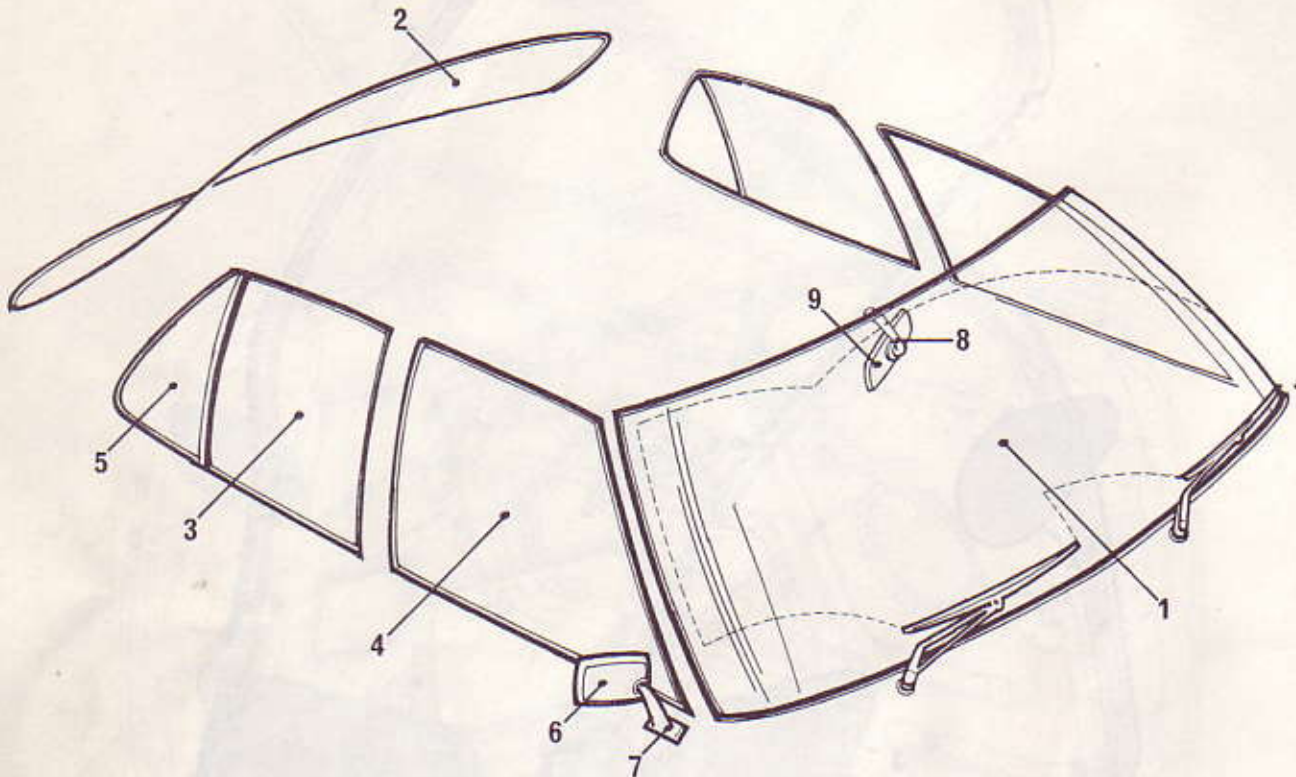
FRONT DOOR WEATHERSTRIP and SEALS

ILLUS. REF. NO.	PART NAME	GROUP
1.	WEATHERSTRIP - Door opening	10,694
2.	SEAL - Lock dust	10,470
3.	SEAL - 24" x 18"	14,694
4.	SEAL - inner panel front	



REAR DOOR WEATHERSTRIP and SEALS

ILLUS. REF. NO.	PART NAME	GROUP
1.	WEATHERSTRIP - Door opening	10.694
2.	SEAL - Lock dust	10.473
3.	SEAL - 24" x 18"	14.768
4.	SEAL - Rear door ash tray	12.030



GLASS

ILLUS. REF. NO.	PART NAME	GROUP
1.	GLASS - Windshield	10.027
2.	GLASS - Rear window	11.204
3.	GLASS - Rear door	10.741
4.	GLASS - Front door	10.681
5.	GLASS - Rear door rear	10.827
6.	MIRROR - Rear vision, exterior	10.185
7.	SUPPORT - Rear vision mirror, exterior	10.187
8.	SUPPORT - Rear vision mirror, interior	10.187
9.	MIRROR - Rear vision, interior	10.185

HOLDEN "LH" PARTS CATALOGUE

GROUP	DESCRIPTION	SIDE	PART No.	QTY.	BODY STYLE	UG	UH	VB	VC	VD
10.001	BODY - Complete CURRENT PRODUCTION BODY ASSEMBLIES COMPLETE WITH TRIM WILL BE SUPPLIED ON A FIRM ORDER BASIS.									
10.002	BODY SHELL - Less doors & deck lid (in Prime)									
	BODY SHELL RIGHT HAND DRIVE		9931108	1	69	X	X	X	X	X
 LEFT HAND DRIVE		9931109	1	69	X	X	X	X	X
10.027	GLASS - Windshield									
	GLASS - Armour plate RIGHT HAND DRIVE		9928467	1	69	X	X	X	X	X
 LEFT HAND DRIVE		9928487	1	69	X	X	X	X	X
	GLASS - Laminated		9928469	1	69	X	X	X	X	X
	GLASS - Laminated, tinted		9928468	1	69	X	X	X	X	X
10.092	CHANNEL - Windshield glass									
	CHANNEL		2825576	1	69	X	X	X	X	X
10.093	INSERT, ESCUTCHEON - Windshield channel									
	INSERT - Upper		2825579	1	69	X	X	X	X	X
	INSERT - Lower	M38454	2825581	1	69	X	X	X	X	X
	INSERT - Side		2825580	2	69	X	X	X	X	X
	ESCUTCHEON - Upper Corner		2825578	2	69	X	X	X	X	X
	ESCUTCHEON - Lower Corner		2825577	2	69	X	X	X	X	X
10.146	BLADE - Windshield wiper									
	BLADE ASSEMBLY		9929706	2	69	X	X	X	X	X
	VERTEBRA & RUBBER INSERT		7424722	2	69	X	X	X	X	X
10.147	ARM - Windshield wiper									
	ARM ASSEMBLY RIGHT HAND DRIVE		2824470	2	69	X	X	X	X	X
 LEFT HAND DRIVE		2825343	2	69	X	X	X	X	X
10.150	MOTOR - Windshield wiper									
	MOTOR ASSEMBLY (Preslite) RIGHT HAND DRIVE		2824467	1	69	X	X	X	X	X
	MOTOR ASSEMBLY (Lucas) RIGHT HAND DRIVE		2824946	1	69	X	X	X	X	X
 LEFT HAND DRIVE		2825410	1	69	X	X	X	X	X
	ARMATURE ASSEMBLY (Preslite)		VS11305	1	69	X	X	X	X	X
	BALL - Armature thrust (Preslite)		VS10285	1	69	X	X	X	X	X
	BOLT - Through (Preslite)		VS12388	2	69	X	X	X	X	X
	CONE - Armature thrust (Preslite)		7421381	1	69	X	X	X	X	X
	CRANK ASSEMBLY (Preslite)		VS12382	1	69	X	X	X	X	X
	FINGER - Earth (Preslite)		VS11950	1	69	X	X	X	X	X
	GASKET (Preslite)		VS12383	1	69	X	X	X	X	X
	GEAR & SHAFT ASSEMBLY (Preslite)		VS12384	1	69	X	X	X	X	X
	HOUSING - Armature (Preslite)		VS11955	1	69	X	X	X	X	X
	HOUSING ASSEMBLY - Gear (Preslite)		VS12390	1	69	X	X	X	X	X
	NUT - Crank retaining (Preslite)		7429033	1	69	X	X	X	X	X
	PAD - Armature thrust (Preslite)		VS10286	1	69	X	X	X	X	X
	PLATE - Cover (Preslite)		VS12386	1	69	X	X	X	X	X
	SCREW (Preslite)		VS10280	4	69	X	X	X	X	X
	SCREW - Earth finger (Preslite)		VS11951	1	69	X	X	X	X	X
	STRAP - Earth (Preslite)		VS12385	1	69	X	X	X	X	X
	TERMINAL BLOCK ASSEMBLY (Preslite)		VS12389	1	69	X	X	X	X	X
	WASHER - Gear and shaft flat (Preslite)		7425272	2	69	X	X	X	X	X
	WASHER - Gear and shaft wave (Preslite)		7429031	1	69	X	X	X	X	X
	ARMATURE ASSEMBLY (Lucas)		VS11849	1	69	X	X	X	X	X
	BEARING - Drive shaft (Lucas)		VS10560	1	69	X	X	X	X	X
	BEARING SET - Commutator end (Lucas)		VS10657	1	69	X	X	X	X	X
	BEARING SET - Yoke (Lucas)		VS11848	1	69	X	X	X	X	X
	BOLT - Through (Lucas)		VS12251	2	69	X	X	X	X	X
	BRUSH GEAR (Lucas)		VS11843	1	69	X	X	X	X	X
	BRUSH SET (Lucas)		VS11844	1	69	X	X	X	X	X
	CONTACT - Earth (Lucas)		VS11859	1	69	X	X	X	X	X
	COVER - Gear box (Lucas)		VS12366	1	69	X	X	X	X	X
	GEAR & SHAFT ASSY. (Lucas) RIGHT HAND DRIVE		VS12368	1	69	X	X	X	X	X

HOLDEN "LH" PARTS CATALOGUE

GROUP	DESCRIPTION	SIDE	PART No.	QTY.	BODY STYLE	UG	UH	VB	VC	VD	
10.150	MOTOR - Windshield wiper (contd.)										
	GEAR & SHAFT ASSY. (Lucas)	LEFT HAND DRIVE	VS12573	1	69	X	X	X	X	X	
	CRANK ASSEMBLY	(Lucas)	VS12372	1	69	X	X	X	X	X	
	SCREW - Cover attaching	(Lucas)	VS10562	4	69	X	X	X	X	X	
	SCREW - Thrust	(Lucas)	VS11852	1	69	X	X	X	X	X	
	SPRING SET - Brush	(Lucas)	VS11845	1	69	X	X	X	X	X	
	STRAP - Earth	(Lucas)	VS12367	1	69	X	X	X	X	X	
	TERMINAL - Switch (Lucas)	RIGHT HAND DRIVE	VS11858	1	69	X	X	X	X	X	
		LEFT HAND DRIVE	VS12392	1	69	X	X	X	X	X	
	YOKE ASSEMBLY	(Lucas)	VS12365	1	69	X	X	X	X	X	
10.152	SEAL - W / shield wiper motor mounting										
	SEAL		2824554	1	69	X	X	X	X	X	
	GROMMET		7418908	3	69	X	X	X	X	X	
10.159	LINK - Windshield wiper										
	LINK ASSY. - Drive	RIGHT HAND DRIVE	2824471	1	69	X	X	X	X	X	
		LEFT HAND DRIVE	2825341	1	69	X	X	X	X	X	
	LINK ASSY. - Driven	RIGHT HAND DRIVE	2824477	1	69	X	X	X	X	X	
		LEFT HAND DRIVE	2825342	1	69	X	X	X	X	X	
	PIVOT & BRACKET ASSY. - Drive	RIGHT HAND DRIVE	2824469	1	69	X	X	X	X	X	
		LEFT HAND DRIVE	2825345	1	69	X	X	X	X	X	
	PIVOT & BRACKET ASSY. - Driven		2824584	1	69	X	X	X	X	X	
10.160	CLIP - Windshield wiper link retainer										
	CLIP - Drive link to pivot		SP2383	1	69	X	X	X	X	X	
	CLIP - Drive link to wiper motor		SP1986	1	69	X	X	X	X	X	
	CLIP - Driven link attaching		SP2383	2	69	X	X	X	X	X	
10.163	SWITCH - W / shield wiper & washer										
	SWITCH ASSEMBLY		9933661	1	69	X	X	X	X	X	
	NUT - Switch attaching		9931712	1	69	X	X	X	X	X	
	KNOB - Switch		9931714	1	69	X	X	X	X	X	
10.185	MIRROR - Rear vision										
	MIRROR ASSEMBLY - Interior, plain		2816950	1	69	X	X	X	X		
	MIRROR ASSEMBLY - Interior, anti-glare		2825223	1	69	X	X	X	X	X	
	SCREW - Mirror support		7432145	1	69	X	X	X	X	X	
	MIRROR ASSEMBLY - Exterior RH		2817539	1	69	X	X	X	X	X	
	MIRROR PACKAGE - Exterior LH, access.		9930749	1	69	X	X	X	X	X	
	MIRROR PACKAGE - Remote control exterior	RH	9937565	1	69	X	X	X	X	X	
10.187	SUPPORT - Rear vision mirror										
	SUPPORT ASSEMBLY - Interior		7434996	1	69	X	X	X	X	X	
	PLATE - Support mounting		7434998	1	69	X	X	X	X	X	
	SUPPORT - Exterior	LH	2818021	1	69	X	X	X	X	X	
		RH	2818020	1	69	X	X	X	X	X	
	BRACKET - Exterior mirror mounting		2818022	2	69	X	X	X	X	X	
	PAD - Exterior mirror mounting	LH	2825679	1	69	X	X	X	X	X	
		RH	2825680	1	69	X	X	X	X	X	
	SCREW - Support to mounting bracket		SP2209	1	69	X	X	X	X	X	
	SCREW - Mounting bracket to door		SP2284	2	69	X	X	X	X	X	
	NUT - Mounting twin		2820823	1	69	X	X	X	X	X	
	NUT - Remote control mirror mounting		2820823	1	69	X	X	X	X	X	
	10.203	SUN VISOR									
SUN VISOR - Ash		LH	2823213DC	1	69	X	X	X	X	X	
		RH	2823214DC	1	69	X	X	X	X	X	
SUN VISOR - Black		LH	2823213BA	1	69	X	X	X	X	X	
		RH	2823214BA	1	69	X	X	X	X	X	
SUN VISOR - Doeskin		LH	2823213DF	1	69	X	X	X	X	X	
		RH	2823214DF	1	69	X	X	X	X	X	
SUN VISOR - Juniper		LH	2823213DE	1	69	X	X	X	X		
		RH	2823214DE	1	69	X	X	X	X		
SUN VISOR - Chestnut		LH	2823213DG	1	69	X	X	X	X	X	
	RH	2823214DG	1	69	X	X	X	X	X		

BODY

HOLDEN "LH" PARTS CATALOGUE

GROUP	DESCRIPTION	SIDE	PART No.	QTY.	BODY STYLE	UG	UH	VB	VC	VD
10.203	SUN VISOR (contd.)									
	SUN VISOR - Dove Grey	LH	2823213DR	1	69	X	X	X	X	X
		RH	2823214DR	1	69	X	X	X	X	X
	SUN VISOR - Jade	LH	2823213DU	1	69	X	X	X	X	X
		RH	2823214DU	1	69	X	X	X	X	X
	SUN VISOR - Chamols	LH	2823213DV	1	69	X	X	X	X	X
		RH	2823214DV	1	69	X	X	X	X	X
	SUN VISOR - Gazelle	LH	2823213DW	1	69	X	X	X	X	X
	RH	2823214DW	1	69	X	X	X	X	X	
10.219	SUPPORT - Sun visor									
	SUPPORT & PIVOT ASSEMBLY	LH	2814463	1	69	X	X	X	X	X
		RH	2814462	1	69	X	X	X	X	X
10.222	MIRROR PACKAGE - Instrument panel compartment vanity									
	MIRROR PACKAGE		2823599	1	69	X	X	X	X	X
10.230	PANEL - Instrument									
	PANEL ASSEMBLY	RIGHT HAND DRIVE	2823445	1	69	X	X	X	X	X
		LEFT HAND DRIVE	2823447	1	69	X	X	X	X	X
10.260	COMPARTMENT - Instrument panel									
	COMPARTMENT ASSEMBLY	RIGHT HAND DRIVE	9928450	1	69	X	X	X	X	X
		LEFT HAND DRIVE	9928477	1	69	X	X	X	X	X
	FASTENER		SP1710	2	69	X	X	X	X	X
	NUT		4558184	2	69	X	X	X	X	X
10.261	LID - Instrument panel compartment									
	LID ASSEMBLY		2829877	1	69	X		X		
	LID ASSEMBLY		9928476	1	69		X		X	
	LID ASSEMBLY - 6 Cyl., 4.2 Litre Eng		9928476	1	69					X
	LID ASSEMBLY - 5 Litre Eng		2829877	1	69					X
10.262	HINGE - Instrument panel comp. lid									
	HINGE ASSEMBLY	RIGHT HAND DRIVE	9932934	2	69	X	X	X	X	X
		LEFT HAND DRIVE	9932935	2	69	X	X	X	X	X
	RIVET - Hinge		9932933	2	69	X	X	X	X	X
	NUT - Hinge to instrument panel		SP1750	4	69	X	X	X	X	X
	NUT - Door to hinge		131418	4	69	X	X	X	X	X
10.263	BUMPER - Instrument panel compartment lid									
	BUMPER		7418993	2	69	X	X	X	X	X
	BUMPER - Hinge		7402561	2	69	X	X	X	X	X
10.266	LOCK - Instrument panel comp. lid									
	LOCK ASSEMBLY - Coded with keys		8786143	1	69	X	X	X	X	X
	LOCK ASSEMBLY - Uncoded		9832569	1	69	X	X	X	X	X
	CASE ASSEMBLY		3934137	1	69	X	X	X	X	X
	ESCUTCHEON - Lock case		3922831	1	69	X	X	X	X	X
10.268	STRIKER - Instrument panel comp. lid lock									
	STRIKER		2818408	1	69	X	X	X	X	X
10.270	LAMP PACKAGE - Instrument panel compartment									
	LAMP PACKAGE	RIGHT HAND DRIVE	9939704	1	69	X	X	X		
	LEAD ASSY. - Lamp	RIGHT HAND DRIVE	9939706	1	69	X	X	X	X	X
	BODY - Lead connector	RIGHT HAND DRIVE	2962984	1	69	X	X	X	X	X
	SPRING - Lead	RIGHT HAND DRIVE	2962243	1	69	X	X	X	X	X
	BODY - Switch	RIGHT HAND DRIVE	2807323	1	69	X	X	X	X	X
	SPRING - Switch	RIGHT HAND DRIVE	2807324	1	69	X	X	X	X	X
	PLUNGER - Switch	RIGHT HAND DRIVE	2807325	1	69	X	X	X	X	X
	BULB - 12 - 16V, 2 C.P.	RIGHT HAND DRIVE	9417863	1	69	X	X	X	X	X

HOLDEN "LH" PARTS CATALOGUE

GROUP	DESCRIPTION	SIDE	PART No.	QTY.	BODY STYLE	UG	UH	VB	VC	VD	
10.307	GRILLE - Shroud ventilator										
	GRILLE RIGHT HAND DRIVE		2824092	1	69	X	X	X	X	X	
 LEFT HAND DRIVE		2824091	1	69	X	X	X	X	X	
	SEAL - Grille		2823932	6	69	X	X	X	X	X	
10.351	DOOR - Front, less trim										
	DOOR ASSEMBLY	LH	9931089	1	69	X	X	X	X	X	
		RH	9931088	1	69	X	X	X	X	X	
10.373	DOOR - Rear, less trim										
	DOOR ASSEMBLY	LH	9931091	1	69	X	X	X	X	X	
		RH	9931090	1	69	X	X	X	X	X	
10.450	HINGE - Front door upper										
	HINGE ASSY.	LH	2824461	1	69	X	X	X	X	X	
		RH	2824462	1	69	X	X	X	X	X	
	BOLT & WASHER ASSY		SP2115	14	69	X	X	X	X	X	
10.454	HINGE - Front door lower										
	HINGE ASSEMBLY	LH	2824459	1	69	X	X	X	X	X	
		RH	2824460	1	69	X	X	X	X	X	
	BOLT & WASHER ASSY		SP2115	14	69	X	X	X	X	X	
10.456	HINGE - Rear door upper										
	HINGE ASSEMBLY	LH	2824223	1	69	X	X	X	X	X	
		RH	2824222	1	69	X	X	X	X	X	
	BOLT & WASHER ASSY		SP2115	12	69	X	X	X	X	X	
10.460	HINGE - Rear door lower										
	HINGE ASSEMBLY	LH	2824377	1	69	X	X	X	X	X	
		RH	2824378	1	69	X	X	X	X	X	
	BOLT & WASHER ASSY		SP2115	12	69	X	X	X	X	X	
10.466	PIN, BUSHING, ROLLER, LEVER, SPRING - Door hinge										
	PIN - Front door		2824456	4	69	X	X	X	X	X	
	BUSHING - Front door		4150462	8	69	X	X	X	X	X	
	ROLLER - Front door detent		9704188	2	69	X	X	X	X	X	
	PIN - Detent roller		2824444	2	69	X	X	X	X	X	
	LEVER - Front door detent	LH	2824285	1	69	X	X	X	X	X	
		RH	2824284	1	69	X	X	X	X	X	
	RIVET - Front door detent lever		4309534	2	69	X	X	X	X	X	
	SPRING - Front door detent lever		2824457	2	69	X	X	X	X	X	
	PIN - Rear door upper		2819165	2	69	X	X	X	X	X	
	PIN - Rear door lower		2819164	2	69	X	X	X	X	X	
	BUSHING - Rear door		4150462	8	69	X	X	X	X	X	
	ROLLER - Rear door detent		9704188	2	69	X	X	X	X	X	
	PIN - Rear door detent		9704187	2	69	X	X	X	X	X	
	LINK - Rear door detent		9704186	2	69	X	X	X	X	X	
	RIVET - Rear door detent link		2811801	2	69	X	X	X	X	X	
	SPRING - Rear door detent		7432336	2	69	X	X	X	X	X	
	PIN - Rear door stop		2811212	2	69	X	X	X	X	X	
	10.470	LOCK - Front door									
		LOCK & SEAL ASSEMBLY	LH	9929617	1	69	X	X	X	X	X
		RH	9929618	1	69	X	X	X	X	X	
SEAL - Dust		LH	9929619	1	69	X	X	X	X	X	
		RH	9929620	1	69	X	X	X	X	X	
10.473	LOCK - Rear door										
	LOCK & SEAL ASSEMBLY	LH	9929621	1	69	X	X	X	X	X	
		RH	9929622	1	69	X	X	X	X	X	
	SEAL - Dust	LH	9929619	1	69	X	X	X	X	X	
		RH	9929620	1	69	X	X	X	X	X	

HOLDEN "LH" PARTS CATALOGUE

GROUP	DESCRIPTION	SIDE	PART No.	QTY.	BODY STYLE	UG	UH	VB	VC	VD
10.475	SPRING - Door lock									
	SPRING - Front door lock overcentre	LH	2813023	1	69	X	X	X	X	X
		RH	2813022	1	69	X	X	X	X	X
	SPRING - Front door actuating lever return	LH	2813029	1	69	X	X	X	X	X
		RH	2813028	1	69	X	X	X	X	X
	SPRING - Rear door lock overcentre	LH	2813023	1	69	X	X	X	X	X
10.500	CONTROL - Door lock remote									
	CONTROL ASSEMBLY - Front door	LH	2815487	1	69	X	X	X	X	X
		RH	2815486	1	69	X	X	X	X	X
	CONTROL ASSEMBLY - Rear door	LH	2815487	1	69	X	X	X	X	X
		RH	2815486	1	69	X	X	X	X	X
	10.506	ROD - Door lock remote control								
ROD - Front door connecting			2824984	2	69	X	X	X	X	X
ROD - Rear door connecting			2824380	2	69	X	X	X	X	X
CLIP - Front door rod retaining			4576655	2	69	X	X	X	X	X
CLIP - Rear door rod retaining			4576655	2	69	X	X	X	X	X
CLIP - Front door rod retainer, lock end			2811401	2	69	X	X	X	X	X
10.507	ROD - Front door lock to lock cylinder connector									
	ROD		2824116	2	69	X	X	X	X	X
	CLIP - Rod to lock cylinder		2811401	2	69	X	X	X	X	X
10.512	HANDLE - Door remote									
	HANDLE ASSEMBLY - Front door	LH	2824939	1	69	X	X	X	X	X
		RH	2824940	1	69	X	X	X	X	X
	HANDLE ASSEMBLY - Rear door	LH	2824939	1	69		X		X	X
		RH	2824940	1	69		X		X	X
	HANDLE ASSEMBLY - Rear door (without arm rests)		7435242	2	69	X		X		
10.513	SPRING - Door handle									
	SPRING - Rear door handle retainer		4168122	2	69	X		X		
	10.515	PLATE - Inside door handle bearing								
PLATE - Rear door			7731353	2	69	X		X		
10.516	GASKET - Door remote control									
	GASKET		2815681	4	69	X	X	X	X	X
10.527	HANDLE - Door outside									
	HANDLE		2814620	4	69	X	X	X	X	X
10.529	ROD, CLIP - Door outside handle									
	ROD - Front Handle to Lock Connector		2824466	2	69	X	X	X	X	X
	ROD - Rear Handle to Lock Connector		2824626	2	69	X	X	X	X	X
	CLIP - Handle to Lock Connector Rod	LH	2806911	2	69	X	X	X	X	X
		RH	2806912	2	69	X	X	X	X	X
10.550	BARREL - Door locking									
	BARREL ASSY. - With Keys	LH	(2824627)	1	69	X	X	X	X	X
		RH	(2824628)	1	69	X	X	X	X	X
	SERVICE PACKAGE - Uncoded		M37403	2	69	X	X	X	X	X
	GASKET - Door Lock Cylinder		4587931	2	69	X	X	X	X	X
	PAWL		2824550	2	69	X	X	X	X	X
	CLIP - Pawl Retaining		7006092	2	69	X	X	X	X	X

HOLDEN "LH" PARTS CATALOGUE

GROUP	DESCRIPTION	SIDE	PART No.	QTY.	BODY STYLE	UG	UH	VB	VC	VD	
10.550	BARREL - Door locking (contd.)										
	TUMBLER - No. 1 (Package of 100)		3901061	AR	69	X	X	X	X	X	
	TUMBLER - No. 2 (Package of 100)		3901062	AR	69	X	X	X	X	X	
	TUMBLER - No. 3 (Package of 100)		3901063	AR	69	X	X	X	X	X	
	TUMBLER - No. 4 (Package of 100)		3901064	AR	69	X	X	X	X	X	
	TUMBLER - No. 5 (Package of 100)		3901065	AR	69	X	X	X	X	X	
10.553	RETAINER - Door locking barrel										
	RETAINER		4884405	2	69	X	X	X	X	X	
10.556	LEVER, ROD - Rear door inside locking										
	ROD		2824730	2	69	X	X	X	X	X	
	CLIP - Anti-Rattle (Centre)		4110664	2	69	X	X	X	X	X	
	CLIP - Rod to Lever		4576655	2	69	X	X	X	X	X	
	LEVER		7403873	2	69	X	X	X	X	X	
	BOLT - Locking Lever		7419196	2	69	X	X	X	X	X	
	CLIP - Rod to Lock		2811401	2	69	X	X	X	X	X	
10.559	KNOB - Door inside locking rod										
	KNOB - Front		7434562	2	69	X		X			
	KNOB - Front		7434563	2	69		X		X	X	
	KNOB - Rear		7434562	2	69	X		X			
	KNOB - Rear		7434563	2	69		X		X	X	
	FERRULE - Door locking knob		4839529	4	69	X	X	X	X	X	
10.563	ROD - Door inside locking										
	ROD - Front		2824472	2	69	X	X	X	X	X	
	CLIP		2811401	2	69	X	X	X	X	X	
	ROD - Rear		2823769	2	69	X	X	X	X	X	
	CLIP		2825090	2	69	X	X	X	X	X	
10.569	STRIKER - Door lock										
	STRIKER ASSY.		2665962	4	69	X	X	X	X	X	
10.571	PLATE, SPACER - Door lock striker										
	PLATE - Anchor		4465224	4	69	X	X	X	X	X	
	RETAINER - Plate Front Door		2811165	2	69	X	X	X	X	X	
	SPACER - $\frac{1}{16}$ " thick		4469196	A.R.	69	X	X	X	X	X	
	SPACER - $\frac{1}{32}$ " thick		4469197	A.R.	69	X	X	X	X	X	
10.587	BUMPER - Door pillar										
	BUMPER		2809447	4	69	X	X	X	X	X	
10.681	GLASS - Front door										
	GLASS	LH	2823997	1	69	X	X	X	X	X	
		RH	2823996	1	69	X	X	X	X	X	
10.685	CHANNEL - Front door glass lifter										
	CHANNEL ASSY.	LH	2824679	1	69	X	X	X	X	X	
		RH	2824678	1	69	X	X	X	X	X	
10.694	WEATHERSTRIP - Door Opening										
	WEATHERSTRIP - Front		2825377	2	69	X	X	X	X	X	
	WEATHERSTRIP - Rear	LH	2825229	1	69	X	X	X	X	X	
		RH	2825228	1	69	X	X	X	X	X	
10.695	PLUG - Door weatherstrip										
	PLUG - Weatherstrip attaching sealing, front door		4770719	38	69	X	X	X	X	X	
			4770719	32	69	X	X	X	X	X	
10.696	WEATHERSTRIP - Door glass channel lifter										
	WEATHERSTRIP - Front		2823979	2	69	X	X	X	X	X	
			2823980	2	69	X	X	X	X	X	

BODY

HOLDEN "LH" PARTS CATALOGUE

GROUP	DESCRIPTION	SIDE	PART No.	QTY.	BODY STYLE	UG	UH	VB	VC	VD	
10.701	CHANNEL, RETAINER - Front door glass run										
	CHANNEL - Front		2824482	2	69	X	X	X	X	X	
	RETAINER - Front channel	LH	2824603	1	69	X	X	X	X	X	
		RH	2824604	1	69	X	X	X	X	X	
	SCREW - Rd. hd. tap No. 8 - 18 x .312"		SP2427	2	69	X	X	X	X	X	
	CHANNEL - Rear		2824483	2	69	X	X	X	X	X	
	RETAINER - Rear channel	LH	2823827	1	69	X	X	X	X	X	
		RH	2823826	1	69	X	X	X	X	X	
	FILLER - Front door glass run channel		9938783	2	69	X	X	X	X	X	
	10.710	WEATHERSTRIP - Door belt									
WEATHERSTRIP - Front door inner			2825041	2	69	X	X	X	X	X	
WEATHERSTRIP - Front door outer			2825041	2	69	X		X			
WEATHERSTRIP - Front door outer			9929614	2	69		X		X	X	
WEATHERSTRIP - Rear door inner		LH	2825233	1	69	X	X	X	X	X	
		RH	2825232	1	69	X	X	X	X	X	
WEATHERSTRIP - Rear door outer		LH	2825233	1	69	X		X			
		RH	2825232	1	69	X		X			
WEATHERSTRIP - Rear door outer		LH	9929581	1	69		X		X	X	
		RH	9929582	1	69		X		X	X	
10.741	GLASS - Rear door										
	GLASS	LH	2823903	1	69	X	X	X	X	X	
		RH	2823904	1	69	X	X	X	X	X	
10.747	CHANNEL - Rear door glass lifter										
	CHANNEL ASSEMBLY	LH	2824681	1	69	X	X	X	X	X	
		RH	2824682	1	69	X	X	X	X	X	
10.759	CHANNEL - Rear door glass run										
	CHANNEL - Front		2824480	2	69	X	X	X	X	X	
	CHANNEL - Rear		2829899	2	69	X	X	X	X	X	
	CHANNEL - Upper		2824481	2	69	X	X	X	X	X	
10.783	REGULATOR - Front door window										
	REGULATOR ASSEMBLY	LH	2824761	1	69	X	X	X	X	X	
		RH	2824760 - <i>new</i>	1	69	X	X	X	X	X	
	ROLLER		4158245	4	69	X	X	X	X	X	
	PIN		4158246	4	69	X	X	X	X	X	
	SPRING - Clutch		4157887	2	69	X	X	X	X	X	
	WASHER - Anti-rattle		4171918	2	69	X	X	X	X	X	
	WASHER - Rubber		7413223	2	69	X	X	X	X	X	
	CAM ASSEMBLY - Sliding		7436043	2	69	X	X	X	X	X	
	WASHER - Cam to door		7429571	4	69	X	X	X	X	X	
10.791	REGULATOR - Rear door window										
	REGULATOR ASSEMBLY	LH	2824889	1	69	X	X	X	X	X	
		RH	2824888	1	69	X	X	X	X	X	
	ROLLER		4158245	2	69	X	X	X	X	X	
	PIN		4158246	2	69	X	X	X	X	X	
	SPRING - Clutch		4157887	2	69	X	X	X	X	X	
	WASHER - Anti-rattle		4171918	2	69	X	X	X	X	X	
	WASHER - Rubber		7413223	2	69	X	X	X	X	X	
10.797	HANDLE - Door window regulator										
	HANDLE ASSEMBLY		7435027	4	69	X	X	X	X	X	
	SPRING - Handle retainer		4168122	4	69	X	X	X	X	X	
	PLATE - Handle bearing		7731353	4	69	X	X	X	X	X	
10.806	SPRING - Window regulator handle escutcheon										
	SPRING		4566746	4	69	X	X	X	X	X	
10.822	WEATHERSTRIP - Rear door rear glass										
	WEATHERSTRIP		2825034	2	69	X	X	X	X	X	

HOLDEN "LH" PARTS CATALOGUE

GROUP	DESCRIPTION	SIDE	PART No.	QTY.	BODY STYLE	UG	UH	VB	VC	VD
10.827	GLASS - Rear door rear									
	GLASS	LH	2824919	1	69	X	X	X	X	X
		RH	2824918	1	69	X	X	X	X	X
10.829	CHANNEL - Rear door glass division									
	CHANNEL ASSEMBLY	LH	2823975	1	69	X	X	X	X	X
		RH	2823974	1	69	X	X	X	X	X
	STUD - Channel to door		7437863	2	69	X	X	X	X	X
	SCREW - Channel to door		SP2427	2	69	X	X	X	X	X

BODY

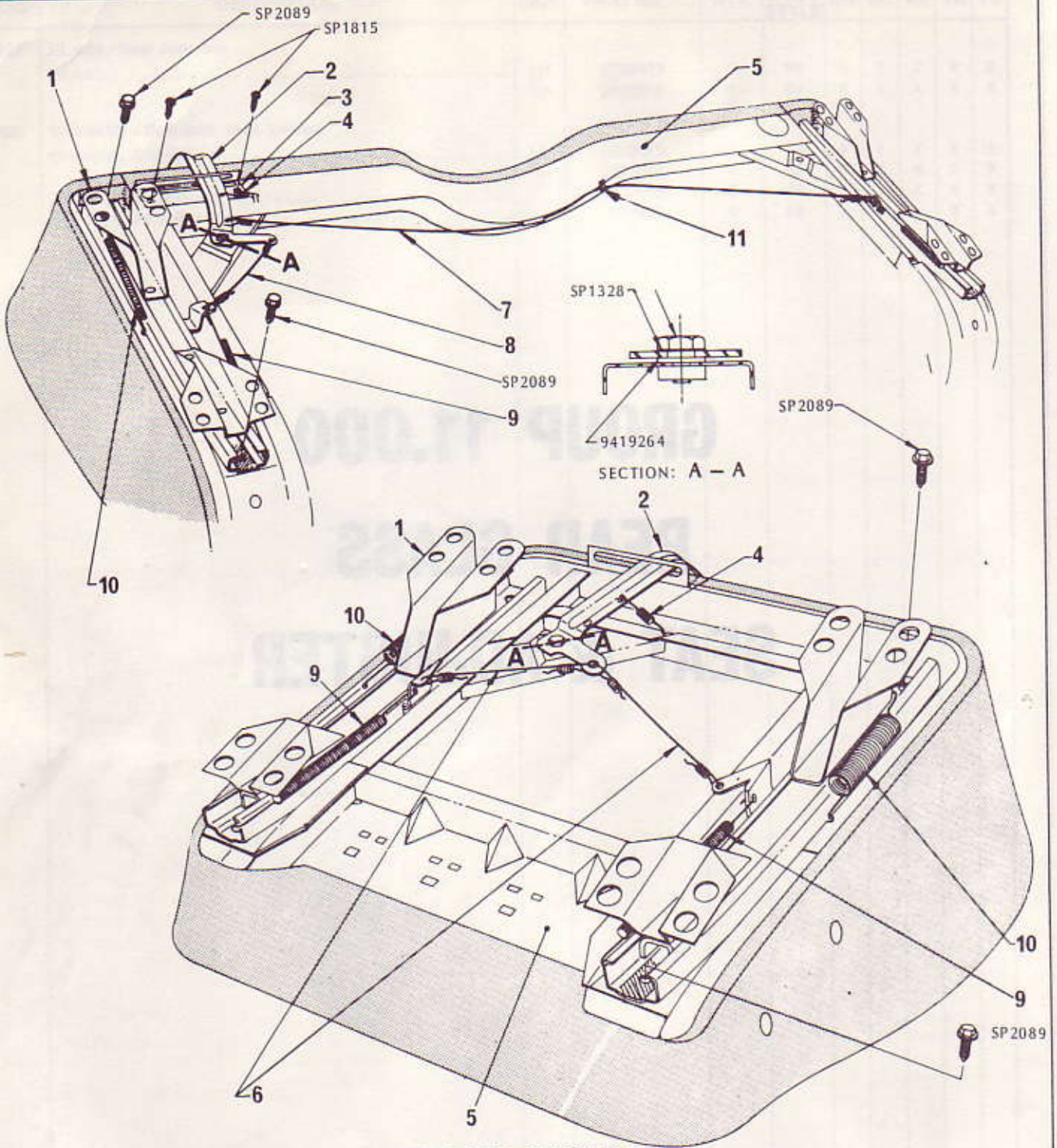


GROUP 11.000
REAR GLASS
SEAT & ADJUSTER

GROUP 11.000
REAR GLASS SEAT & ADJUSTER

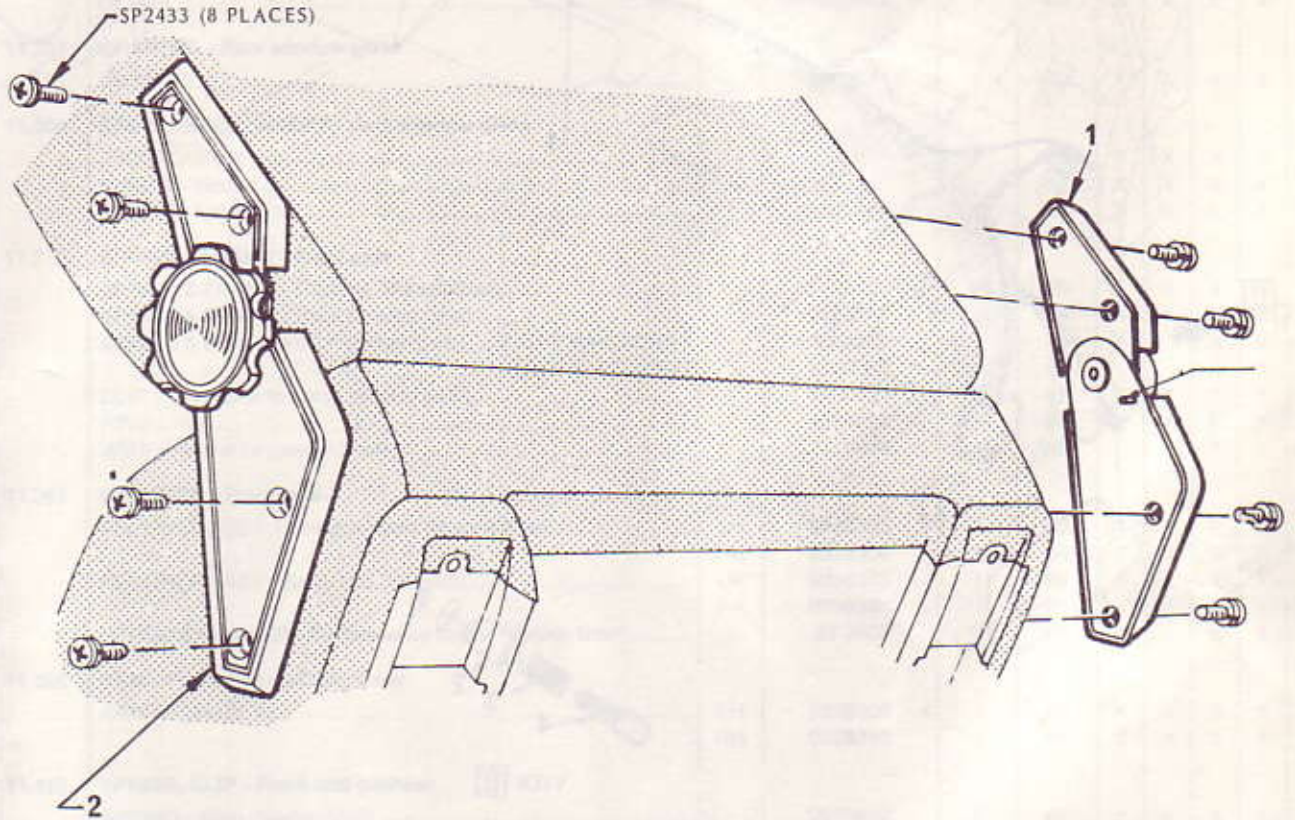
NO.	DESCRIPTION	QTY	UNIT	PRICE	TOTAL
11.000	REAR GLASS SEAT & ADJUSTER	1	EA	11.000	11.000
11.001	REAR GLASS SEAT & ADJUSTER	1	EA	11.000	11.000
11.002	REAR GLASS SEAT & ADJUSTER	1	EA	11.000	11.000
11.003	REAR GLASS SEAT & ADJUSTER	1	EA	11.000	11.000
11.004	REAR GLASS SEAT & ADJUSTER	1	EA	11.000	11.000
11.005	REAR GLASS SEAT & ADJUSTER	1	EA	11.000	11.000
11.006	REAR GLASS SEAT & ADJUSTER	1	EA	11.000	11.000
11.007	REAR GLASS SEAT & ADJUSTER	1	EA	11.000	11.000
11.008	REAR GLASS SEAT & ADJUSTER	1	EA	11.000	11.000
11.009	REAR GLASS SEAT & ADJUSTER	1	EA	11.000	11.000
11.010	REAR GLASS SEAT & ADJUSTER	1	EA	11.000	11.000
11.011	REAR GLASS SEAT & ADJUSTER	1	EA	11.000	11.000
11.012	REAR GLASS SEAT & ADJUSTER	1	EA	11.000	11.000
11.013	REAR GLASS SEAT & ADJUSTER	1	EA	11.000	11.000
11.014	REAR GLASS SEAT & ADJUSTER	1	EA	11.000	11.000
11.015	REAR GLASS SEAT & ADJUSTER	1	EA	11.000	11.000
11.016	REAR GLASS SEAT & ADJUSTER	1	EA	11.000	11.000
11.017	REAR GLASS SEAT & ADJUSTER	1	EA	11.000	11.000
11.018	REAR GLASS SEAT & ADJUSTER	1	EA	11.000	11.000
11.019	REAR GLASS SEAT & ADJUSTER	1	EA	11.000	11.000
11.020	REAR GLASS SEAT & ADJUSTER	1	EA	11.000	11.000

HOLDEN "LH" PARTS CATALOGUE



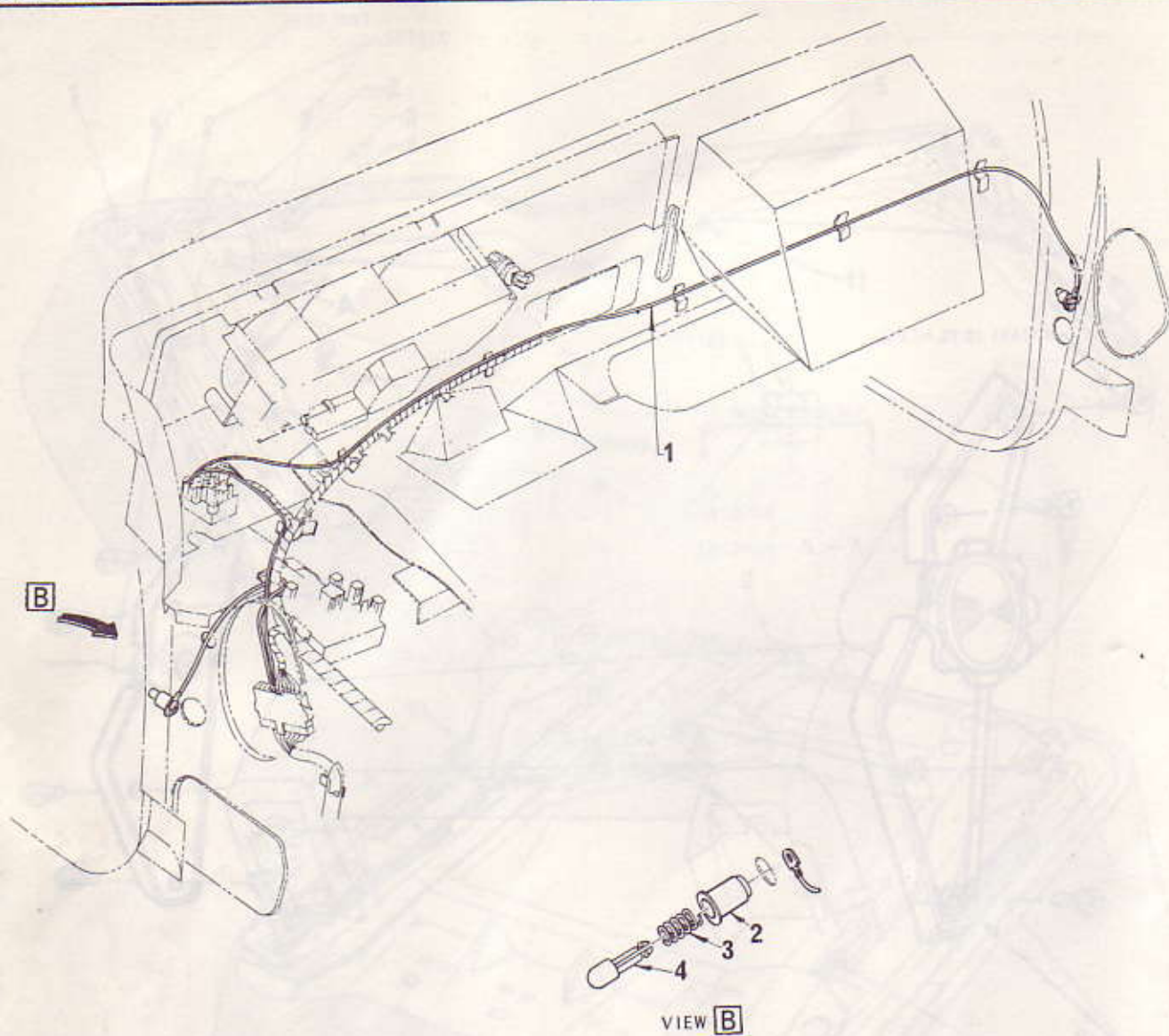
FRONT SEAT ADJUSTERS

ILLUS. REF. NO.	PART NAME	GROUP	ILLUS. REF. NO.	PART NAME	GROUP
1.	ADJUSTER ASSY.	11.561	7.	WIRE ASSY. - Left hand	11.589
2.	HANDLE - Seat remote control	11.588	8.	WIRE ASSY. - Right hand	11.589
3.	SUPPORT - Remote control lever	11.561	9.	SPRING - Release lever	11.581
4.	SPRING - Remote control handle	11.581	10.	SPRING - Assist	11.581
5.	SPRING & FRAME ASSY. - Cushion	11.373	11.	TENSIONER - Wire	11.589
6.	WIRE ASSY.	11.589	12.	BOLT - Handle	11.588



FRONT SEAT RECLINER

ILLUS. REF. NO.	PART NAME	GROUP
1.	ARM ASSY. - Front seat reclining	11.392
2.	ADJUSTER ASSY. - Front seat recliner	11.388



DOOR COURTESY LIGHT SWITCHES

ILLUS. REF. NO.	PART NAME	GROUP
1.	LEAD ASSY.	11.950
2.	BODY - Switch	11.950
3.	SPRING - Switch	11.950
4.	PLUNGER - Switch	11.950

HOLDEN "LH" PARTS CATALOGUE

GROUP	DESCRIPTION	SIDE	PART No.	QTY.	BODY STYLE	UG	UH	VB	VC	VD
11.175	PLATE - Front door scuff PLATE <i>N.L.H.</i>		2824370	2	69	X	X	X	X	X
11.179	PLATE - Rear door scuff PLATE <i>N.L.H.</i>		2824371	2	69	X	X	X	X	X
11.200	FRAME - Rear window FRAME		2823633	1	69	X	X	X	X	X
11.204	GLASS - Rear window GLASS		(⁴⁷ 9931094)	1	69	X	X	X	X	X
	GLASS		(⁴⁸ 9938696)	1	69	X	X	X	X	X
11.207	CHANNEL - Rear window glass CHANNEL		9928614	1	69	X	X	X	X	X
11.208	ESCUTCHEON, INSERT - Rear window glass ESCUTCHEON		2825577	2	69	X	X	X	X	X
	INSERT - Upper		2825657	1	69	X	X	X	X	X
	INSERT - Lower		2825658	1	69	X	X	X	X	X
11.373	SPRING & FRAME - Front seat SPRING & FRAME - Cushion (Bucket Seat)		9935830	2	69	X	X	X	X	X
	SPRING & FRAME - Back (Bucket Seat)		2824241	2	69	X	X	X	X	X
	SPRING & FRAME ASSY. (Bench Seat)RIGHT HAND DRIVE		2824254	1	69	X		X	X	
	LEFT HAND DRIVE		9930080	1	69			X	X	
	CLIP - Seat cover to frame (Bucket Seat)		7100321	12	69	X	X	X	X	X
	RING - Hog		4556605	A.R.	69	X	X	X	X	X
	WIRE - Helical tie (Bench Seat)		7419479	1	69			X	X	
11.388	RECLINER - Front seat RECLINER ASSY. - Chrome insert (Bucket Seat)	LH	9928305	1	69	X	X	X	X	X
		RH	9928306	1	69	X	X	X	X	X
	RECLINER ASSY - Black (Bucket Seat)	LH	9938363	1	69	X	X	X	X	X
		RH	9938364	1	69	X	X	X	X	X
	SCREW & WASHER - Recliner assy to seat (Bucket Seat)		SP2605	16	69	X	X	X	X	X
11.392	ARM - Front seat reclining inner ARM ASSEMBLY	LH	9928309	1	69	X	X	X	X	X
		RH	9928310	1	69	X	X	X	X	X
11.420	SPRING, CLIP - Front seat cushion SPRING - Main (Bucket Seat)		9935829	8	69	X	X	X	X	X
	SPRING - Main (Bench Seat)		9931944	10	69			X	X	
	SPRING - Centre (Bench Seat)		9930234	3	69			X	X	
	RING - Hog (Bucket Seat)		4556605	8	69	X	X	X	X	X
11.561	ADJUSTER - Front seat (Fore & Aft movement) ADJUSTER ASSY.	LH	2822639	2-1	69	X	X	X	X	X
		RH	2822638	2-1	69	X	X	X	X	X
	SUPPORT - Adjuster lever		2818466	2-1	69	X	X	X	X	X
	COVER - Front seat adjuster rear		9938702	4-2	69	X	X	X	X	X
11.573	SUPPORT - Front seat adjuster SUPPORT - Front		2809543	4-2	69	X	X	X	X	X
	SUPPORT - Rear		2822640	4-2	69	X	X	X	X	X
11.581	SPRING - Front seat adjuster SPRING - Assist		4304426	4-2	69	X	X	X	X	X
	SPRING - Remote control handle		2811724	2-1	69	X	X	X	X	X
	SPRING - Release lever		2811198	4-2	69	X	X	X	X	X

Note: (⁴⁷ Use without heated rear glass.
(⁴⁸ Use with heated rear glass.

HOLDEN "LH" PARTS CATALOGUE

GROUP	DESCRIPTION	SIDE	PART No.	QTY.	BODY STYLE	UG	UH	VB	VC	VD
11.588	HANDLE - Front seat adjuster									
	HANDLE - (Bench Seat)	RIGHT HAND DRIVE	9933006	1	69			X	X	
		LEFT HAND DRIVE	9930071	1	69			X	X	
	HANDLE - (Bucket Seat)		9933006	2	69	X	X	X	X	X
	BOLT - Handle		2811258	2-1	69	X	X	X	X	X
	WASHER - Spring 1/16"		SP1328	2-1	69	X	X	X	X	X
11.589	WIRE - Front seat adjuster									
	WIRE - Auxiliary locking, long (8.2") (Bucket Seat)		2811255	2	69	X	X	X	X	X
	WIRE - Auxiliary locking, long (39.5") (Bench Seat)		2811366	1	69			X	X	
	WIRE - Auxiliary locking, short (5.5")		2811253	2-1	69	X	X	X	X	X
	TENSIONER - Auxiliary locking wire (Bench Seat)		2811360	1	69			X	X	
11.610	SPRING & FRAME ASSY. - Rear seat cushion									
	SPRING & FRAME ASSEMBLY		9937480	1	69	X	X	X	X	X
11.611	SPRING, CLIP, RING - Rear seat cushion									
	SPRING - Main		2824404	10	69	X	X	X	X	X
	SPRING - Intermediate		9937489	2	69	X	X	X	X	X
	SPRING - Centre		2824402	1	69	X	X	X	X	X
	SPRING - Outer		2824403	2	69	X	X	X	X	X
	CLIP - Wire		7401768	46	69	X	X	X	X	X
	RING - Hog		4556605	A.R.	69	X	X	X	X	X
11.628	SPRING & FRAME - Rear seat back									
	SPRING & FRAME ASSEMBLY		2824645	1	69	X	X	X	X	X
11.629	SPRING, CLIP - Rear seat back									
	SPRING - Main		2824309	12	69	X	X	X	X	X
	SPRING - Main support		2824409	12	69	X	X	X	X	X
	SPRING - Outer		2824308	2	69	X	X	X	X	X
	CLIP - Wire		7401768	90	69	X	X	X	X	X
	RING HOG		4556605	A.R.	69	X	X	X	X	X
11.634	RETAINER - Rear seat back									
	RETAINER - Upper		2812735	4	69	X	X	X	X	X
	WASHER - Retainer		2824366	2	69	X	X	X	X	X
11.925	BASE - Dome lamp									
	BASE ASSEMBLY		2806962	1	69	X	X	X	X	X
	BULB - Festoon, 12-16V, 12 C.P.		9414045	1	69	X	X	X	X	X
	LEAD ASSY.		2816582	1	69	X	X	X	X	X
	LEAD ASSY. - Earth	RIGHT HAND DRIVE	2817464	1	69	X		X		
		LEFT HAND DRIVE	9931015	1	69	X		X		
11.928	LENS - Dome lamp									
	LENS		2806963	1	69	X	X	X	X	X
11.950	SWITCH - Courtesy light									
	BODY - Switch		2807323	2	69		X		X	X
	SPRING - Switch		2807324	2	69		X		X	X
	PLUNGER - Switch		2807325	2	69		X		X	X
	LEAD ASSEMBLY	RIGHT HAND DRIVE	2824830	1	69	X	X	X	X	X
		LEFT HAND DRIVE	9932138	1	69	X	X	X	X	
11.960	LAMP - Rear compartment									
	BODY - Switch		2807323	1	69	X	X	X	X	X
	SPRING - Switch		2807324	1	69	X	X	X	X	X
	PLUNGER - Switch		2807325	1	69	X	X	X	X	X
	SOCKET & LEAD ASSEMBLY - Lamp (Equipment) 27" long		9932940	1	69				X	X
	SOCKET & LEAD ASSEMBLY - Lamp (Accessory) 106" long		2824701	1	69	X	X	X		
	BULB - 12-16V., 15 C.P.		455490	1	69	X	X	X	X	X
	LAMP - Package (Accessory)		2824729	1	69	X	X	X		
	SPRING - Socket		2962243	1	69	X	X	X	X	X
	BODY - Connector		2962448	1	69	X	X	X	X	X

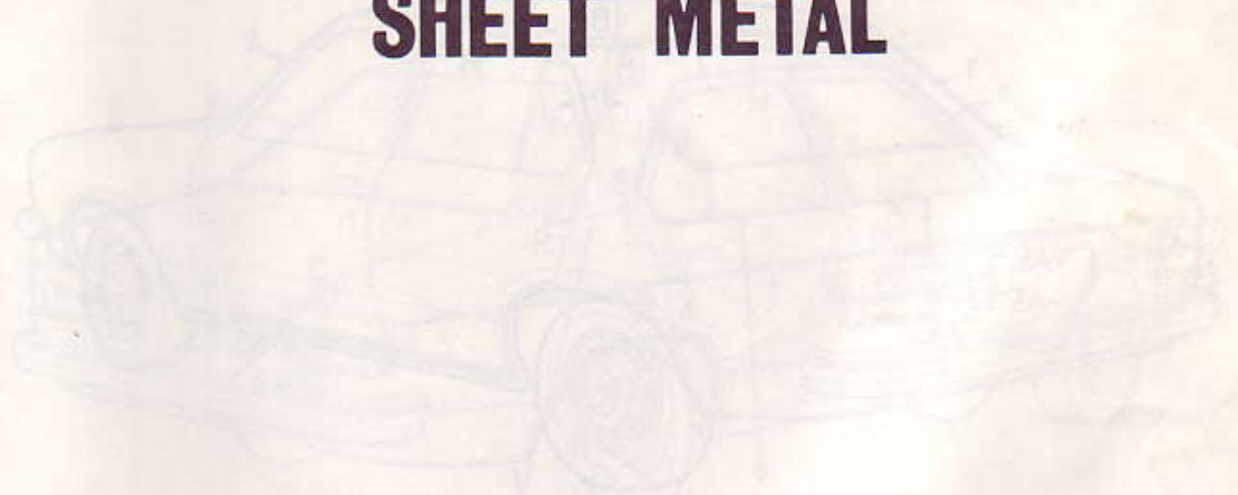
BODY



GROUP 12.000

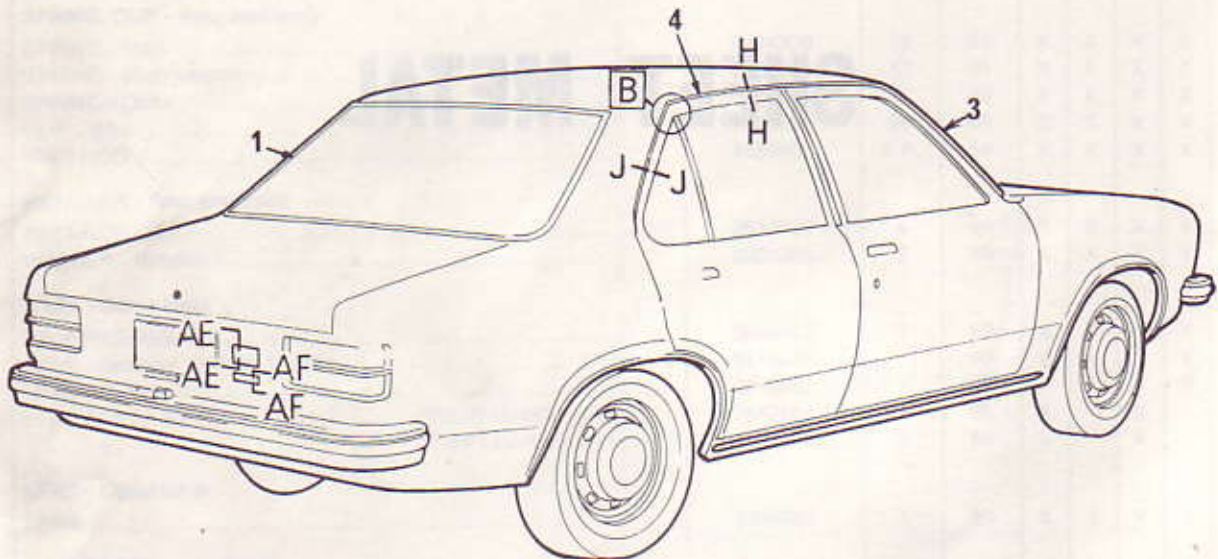
MOULDINGS & CLIPS

SHEET METAL



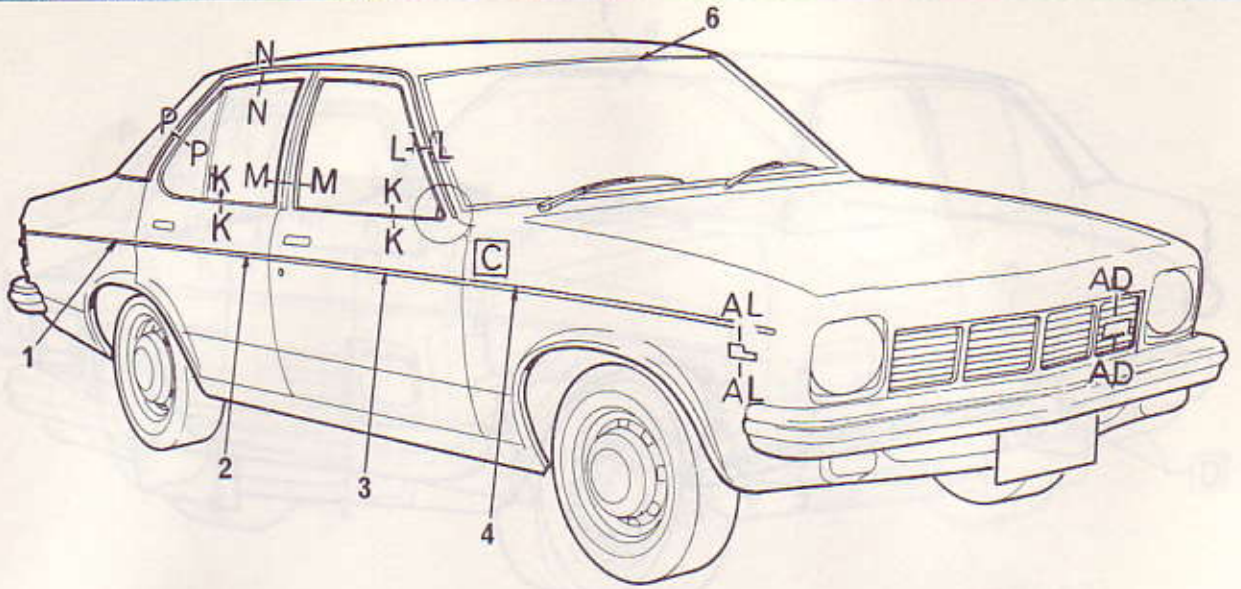


SECTIONS: E-E, F-F, G-G, H-H, J-J REFER PAGE 475
 AE-AE, AF-AF, AD-AD REFER PAGE 478

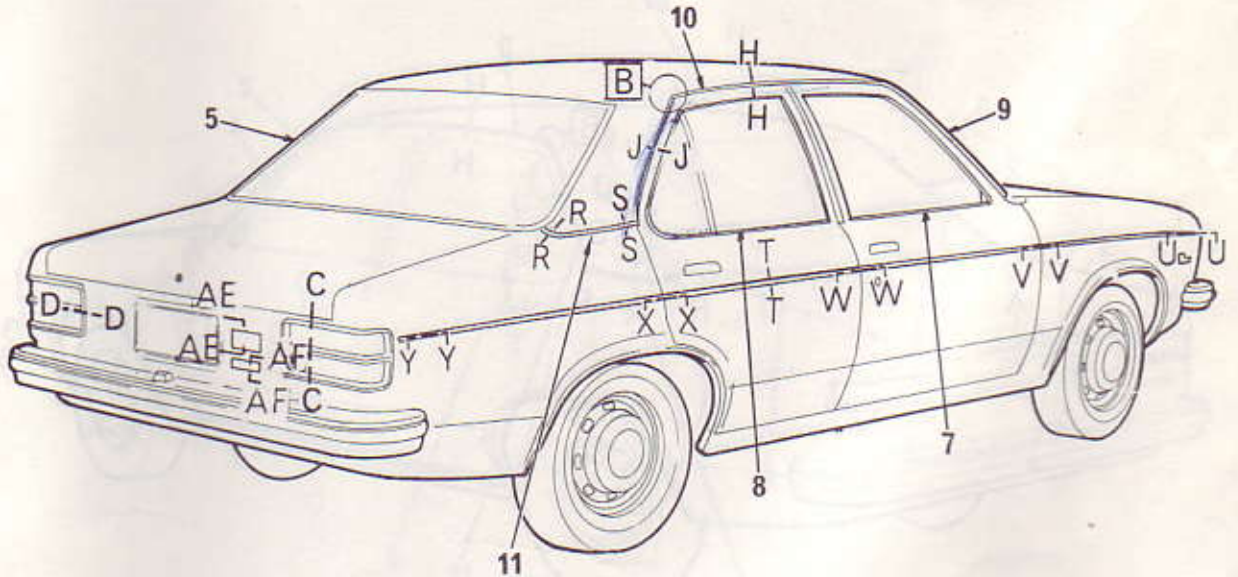


BODY MOULDINGS - 8UG 69

ILLUS. REF. NO.	PART NAME	GROUP
1.	INSERT - Rear window glass	11.208
2.	INSERT - Windshield glass channel	10.093
3.	MOULDING - Roof drip front	12.075
4.	MOULDING - Roof drip rear	12.075

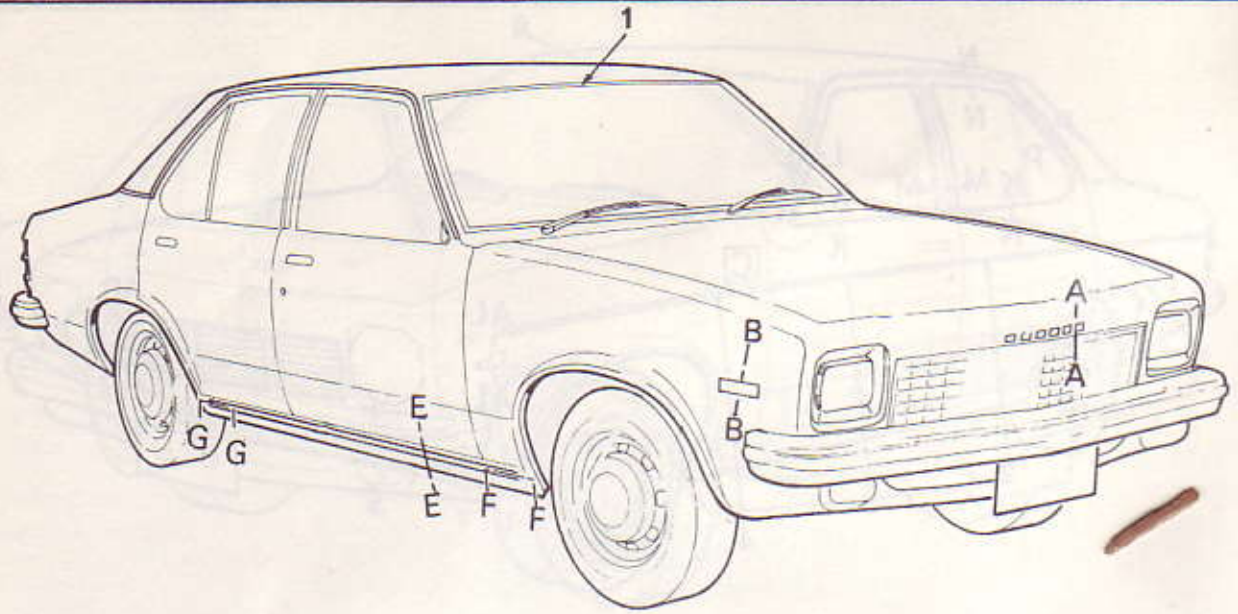


SECTIONS: C-C, D-D, H-H, J-J, K-K, L-L REFER PAGE 475
 M-M, N-N, P-P, R-R, S-S, VIEW C REFER PAGE 476
 T-T, U-U, V-V, W-W, X-X, Y-Y REFER PAGE 477
 AD-AD, AE-AE, AF-AF, AL-AL REFER PAGE 478



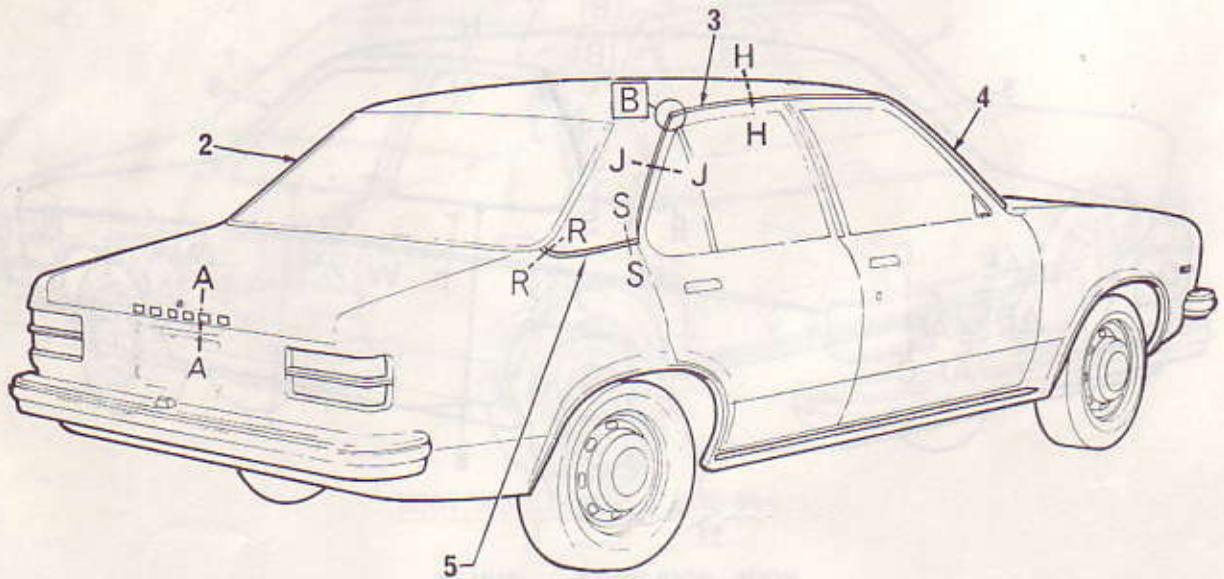
BODY MOULDINGS - 8UH 69

ILLUS. REF. NO.	PART NAME	GROUP	ILLUS. REF. NO.	PART NAME	GROUP
1.	MOULDING - Rear quarter	12.116	7.	MOULDING - Front door belt	12.112
2.	MOULDING - Rear door	12.114	8.	MOULDING - Rear door belt	12.114
3.	MOULDING - Front door	12.112	9.	MOULDING - Roof drip front	12.075
4.	MOULDING - Front fender side	8.132	10.	MOULDING - Roof drip rear	12.075
5.	INSERT - Rear window glass	11.208	11.	MOULDING - Roof reveal side	12.075
6.	INSERT - Windshield glass channel	10.093			



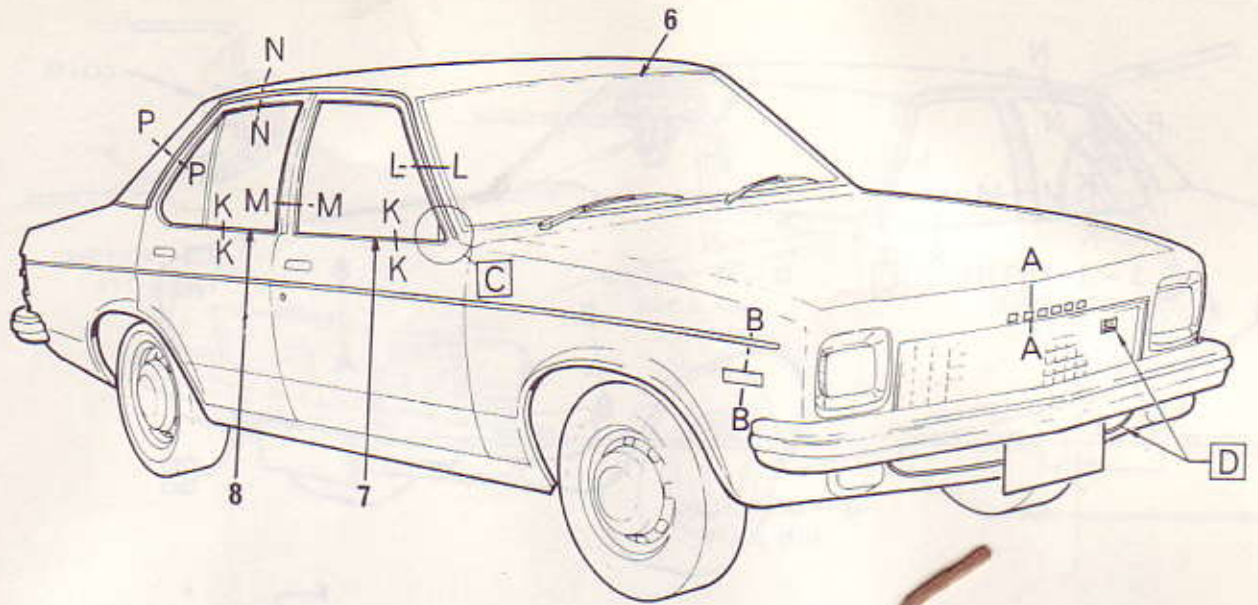
SECTIONS: E-E, F-F, G-G, H-H, J-J
 R-R, S-S
 A-A, B-B

REFER PAGE 475
 REFER PAGE 476
 REFER PAGE 478



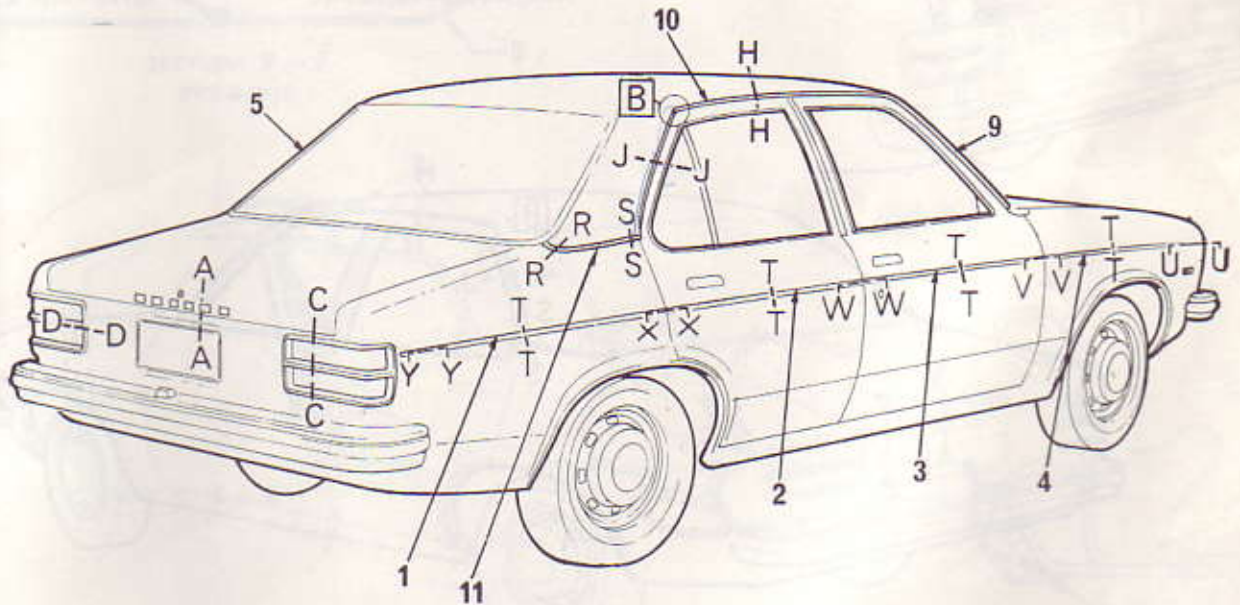
BODY MOULDINGS - 8VB 69

ILLUS. REF. NO.	PART NAME	GROUP
1.	INSERT - Wind shield glass channel	10.093
2.	INSERT - Rear window glass	11.208
3.	MOULDING - Roof drip rear	12.075
4.	MOULDING - Roof drip front	12.075
5.	MOULDING - Roof reveal side	12.075



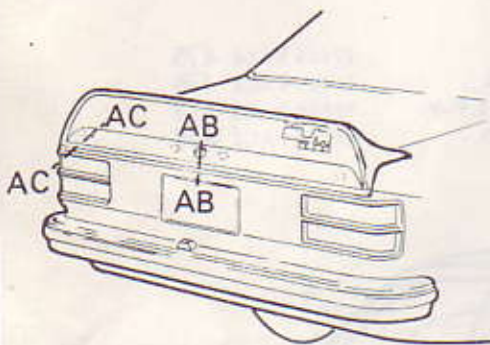
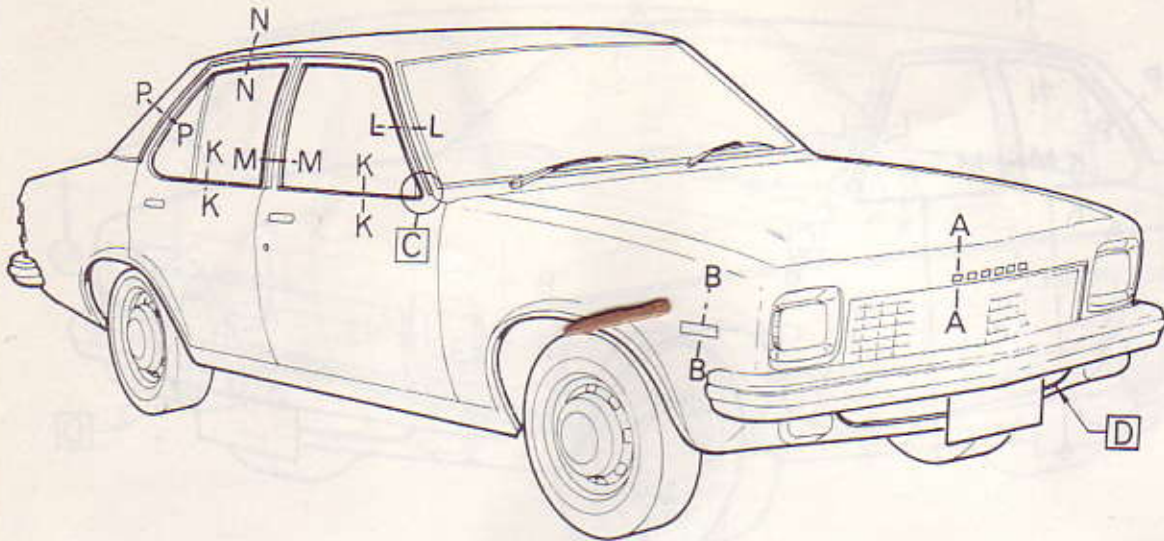
SECTIONS: D-D, H-H, J-J, L-L
 M-M, N-N, P-P, R-R, S-S
 T-T, U-U, V-V, W-W, X-X, Y-Y
 A-A, B-B, C-C, VIEW D

REFER PAGE 475
 REFER PAGE 476
 REFER PAGE 477
 REFER PAGE 478



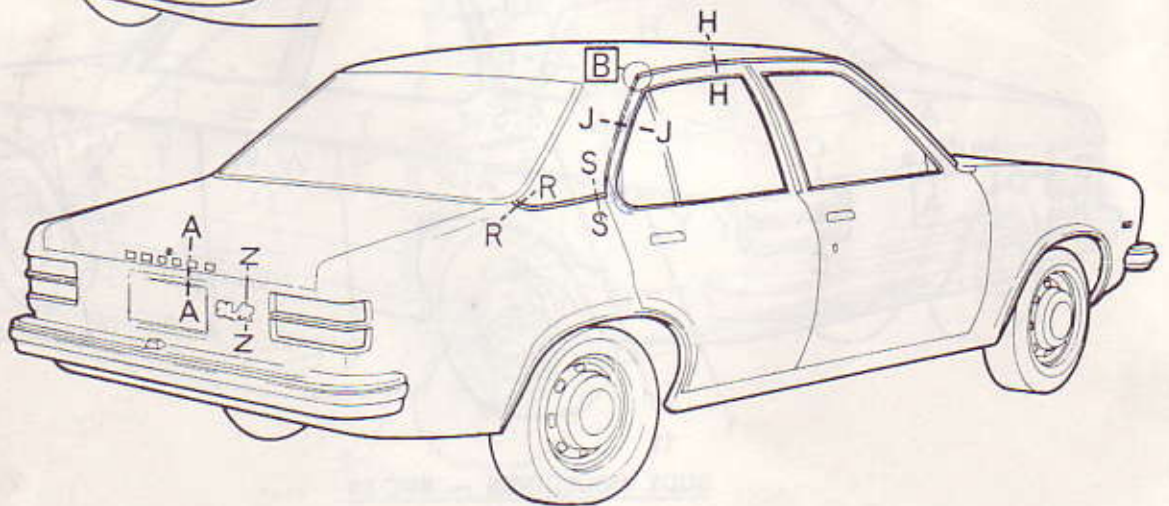
BODY MOULDINGS - 8VC 69

ILLUS. REF. NO.	PART NAME	GROUP	ILLUS. REF. NO.	PART NAME	GROUP
1.	MOULDING - Rear quarter	12.116	7.	MOULDING - Front door belt	12.112
2.	MOULDING - Rear door	12.114	8.	MOULDING - Rear door belt	12.114
3.	MOULDING - Front door	12.112	9.	MOULDING - Roof drip front	12.075
4.	MOULDING - Front fender side	8.132	10.	MOULDING - Roof drip rear	12.075
5.	INSERT - Rear window glass	11.208	11.	MOULDING - Roof reveal side	12.075
6.	INSERT - Windshield glass channel	10.093			



SECTIONS: H-H, J-J, K-K, L-L
 M-M, N-N, P-P, R-R, S-S, Z-Z, VIEW C
 A-A, B-B, AB-AB, AC-AC

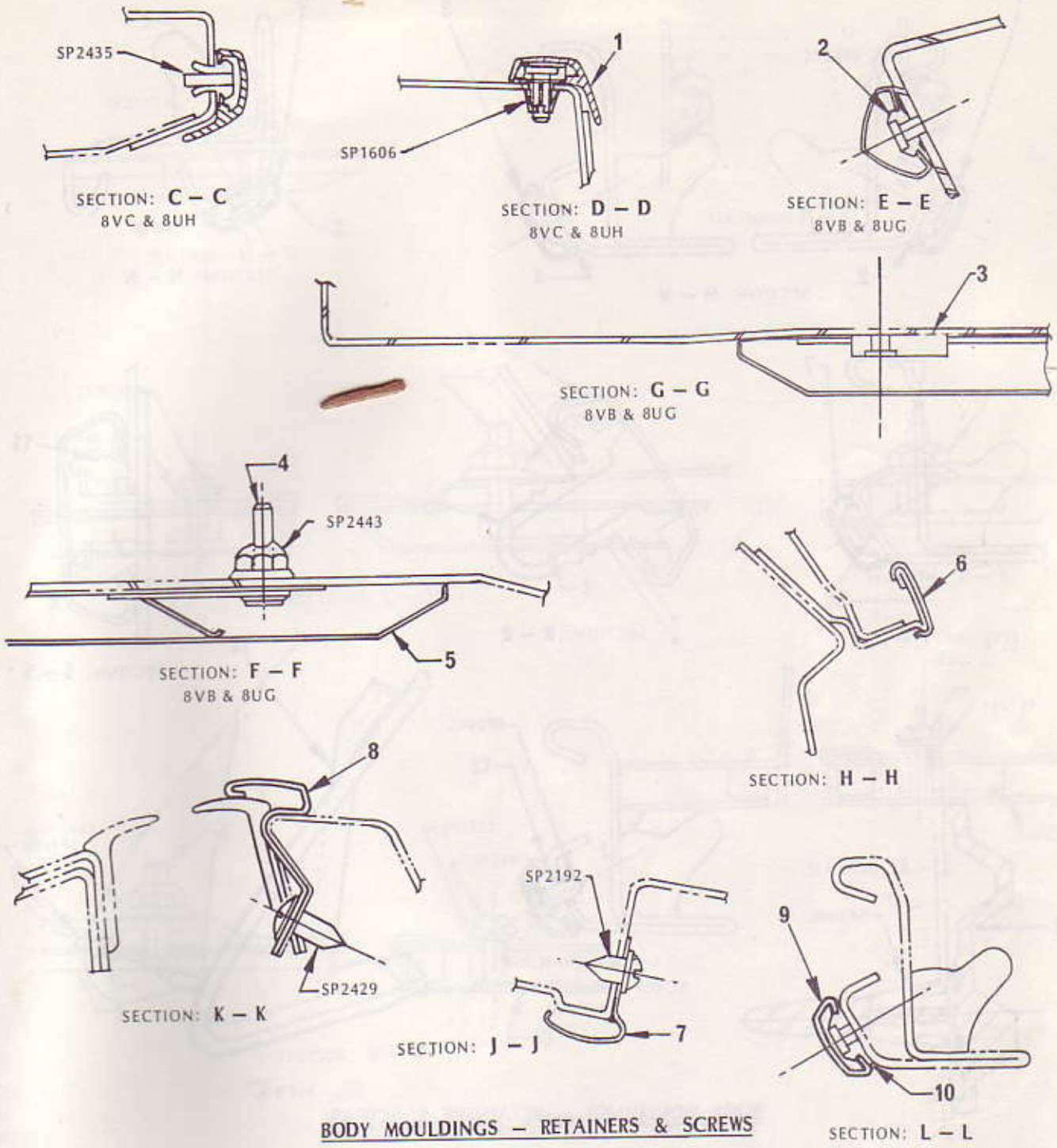
REFER PAGE 475
 REFER PAGE 476
 REFER PAGE 478



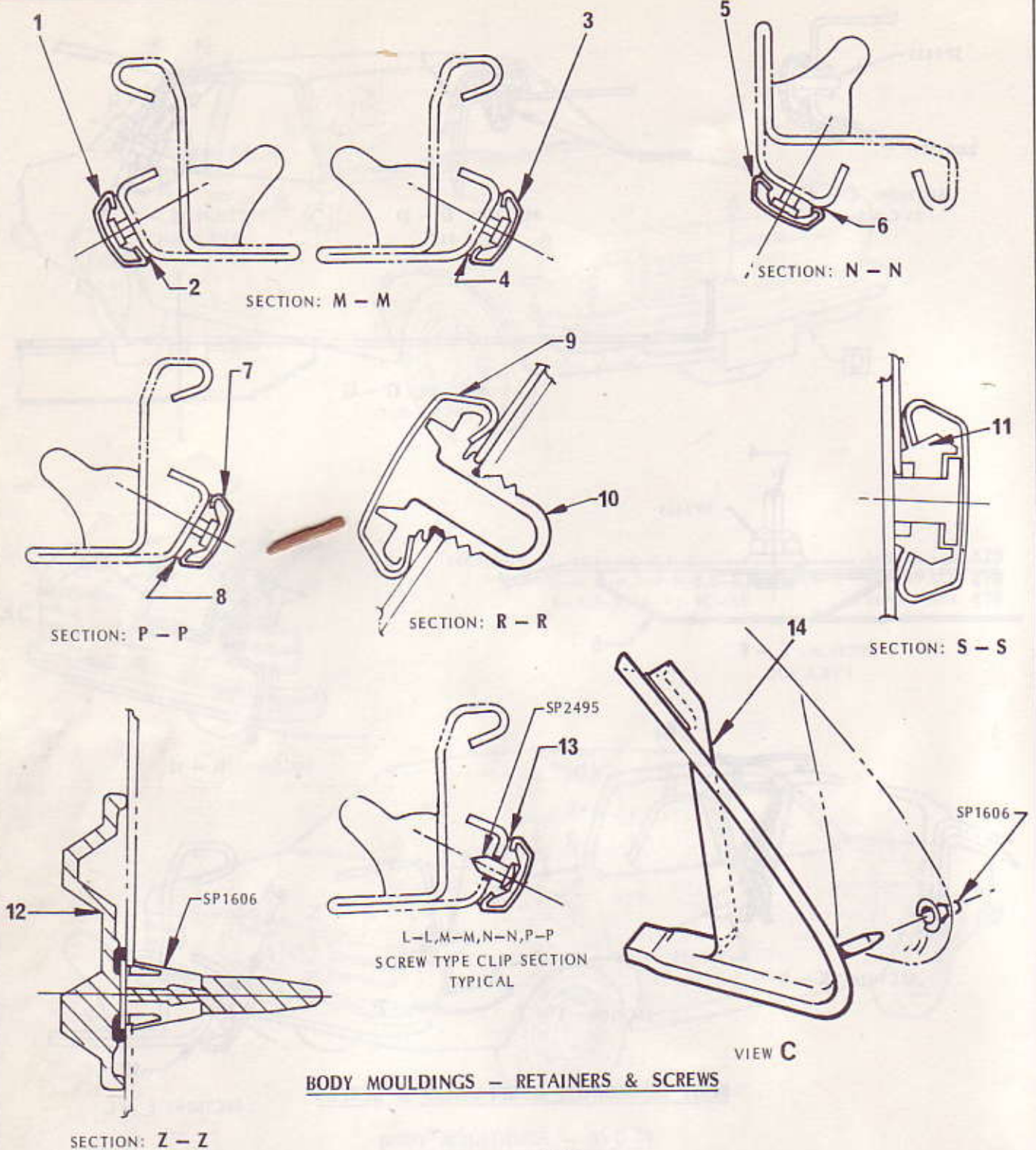
BODY MOULDINGS - 8VD 69

ILLUS. REF. NO.	PART NAME	GROUP	ILLUS. REF. NO.	PART NAME	GROUP
1.	INSERT - Windshield glass channel	10.093	5.	MOULDING - Front door belt	12.057
2.	INSERT - Rear window glass	11.208	6.	MOULDING - Rear door belt	12.114
3.	MOULDING - Roof drip rear	12.075	7.	MOULDING - Roof reveal side	12.075
4.	MOULDING - Roof drip front	12.075			

HOLDEN "LH" PARTS CATALOGUE

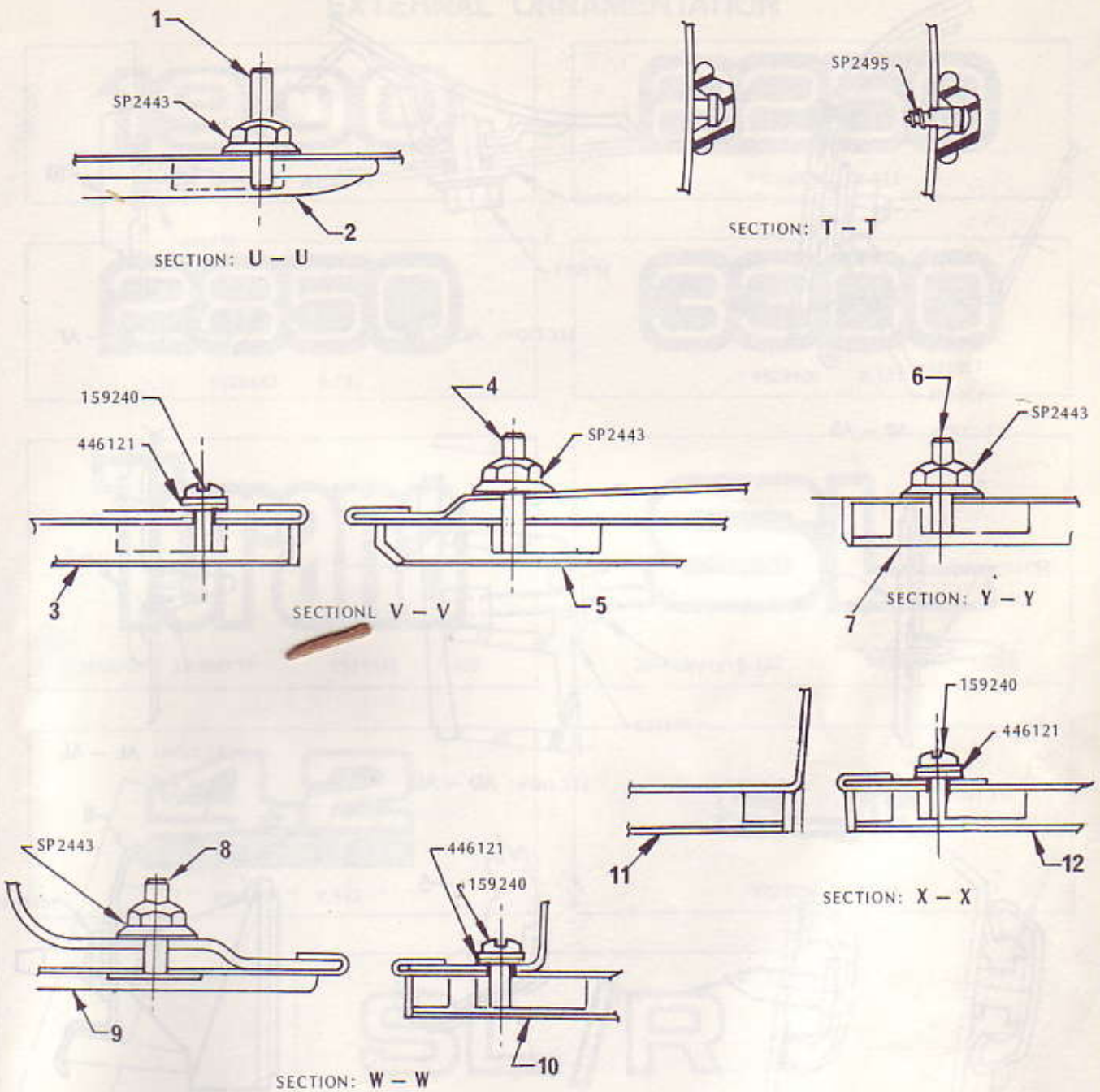


ILLUS. REF. NO.	PART NAME	GROUP	ILLUS. REF. NO.	PART NAME	GROUP
1.	MOULDING - Tail lamp reveal	12.116	6.	MOULDING - Roof reveal, side	12.075
2.	CLIP - Rocker panel (Stud Type)	8.304	7.	GUTTER - Rear	12.811
3.	CLIP - Rocker panel rear (Stud Type)	8.304	8.	MOULDING & WEATHERSTRIP - Belt 12.112/12.114	12.112
4.	RETAINER - Rocker panel moulding front	8.304	9.	MOULDING - Front reveal	12.112
5.	MOULDING - Rocker panel	8.304	10.	CLIP - Reveal moulding (Stud Type)	12.112



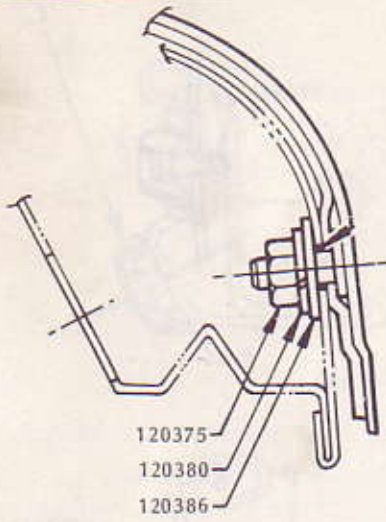
BODY MOULDINGS - RETAINERS & SCREWS

ILLUS. REF. NO.	PART NAME	GROUP	ILLUS. REF. NO.	PART NAME	GROUP
1.	MOULDING - Front reveal	12.114	9.	MOULDING - Quarter upper	12.116
2.	CLIP - Reveal moulding (Stud Type)	12.114	10.	STUD - Moulding	12.116
3.	MOULDING - Rear reveal	12.112	11.	CLIP - Moulding (Stud Type)	12.116
4.	CLIP - Reveal moulding (Stud Type)	12.112	12.	PLATE - Name - S.L.R.	12.116
5.	MOULDING - Upper reveal	12.114	13.	CLIP - Reveal moulding (Screw Type)	12.112/12.114
6.	CLIP - Reveal moulding (Stud Type)	12.114	14.	PLATE - Front anchor	12.112
7.	MOULDING - Rear reveal	12.114	8.	CLIP - Reveal moulding (Stud Type)	12.114

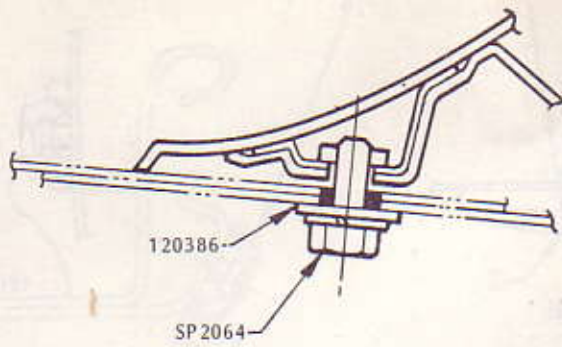


BODY MOULDINGS – RETAINERS & SCREWS

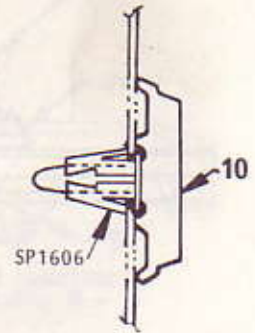
ILLUS. REF. NO.	PART NAME	GROUP	ILLUS. REF. NO.	PART NAME	GROUP
1.	STUD – Moulding to fender	8.132	7.	MOULDING – Quarter side	12.116
2.	MOULDING – Front fender	8.132	8.	RETAINER ASSY. – Side moulding	12.114
3.	MOULDING – Side	12.112	9.	MOULDING – Side	12.114
4.	STUD – Moulding to fender	8.132	10.	MOULDING – Side	12.112
5.	MOULDING – Front fender	8.132	11.	MOULDING – Quarter side	12.116
6.	STUD – Moulding to fender	8.132	12.	MOULDING – Side	12.112



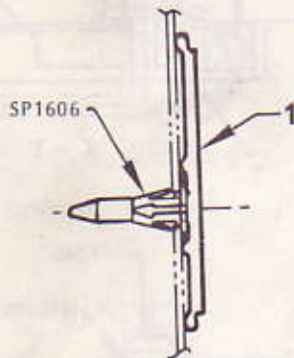
SECTION: AB - AB



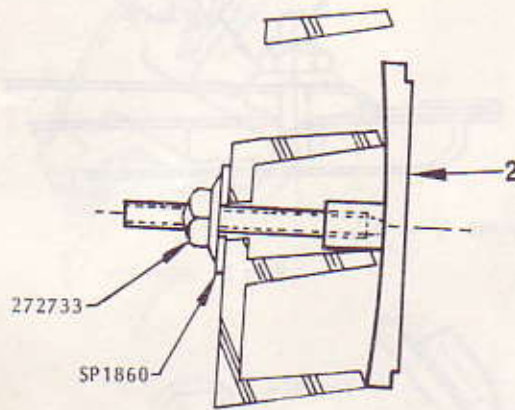
SECTION: AC - AC



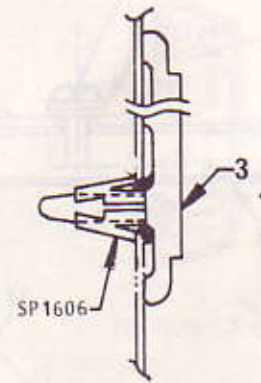
SECTION: AF - AF



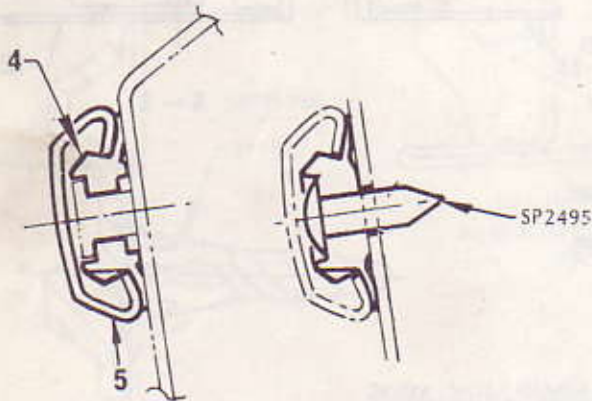
SECTION: AE - AE



SECTION: AD - AD



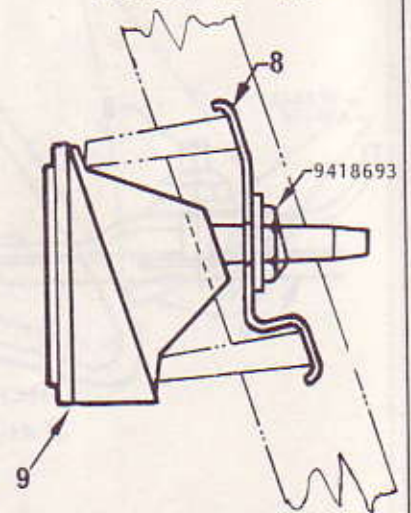
SECTION: AL - AL



SECTION: A - A



SECTION: B - B



SECTION: C - C

BODY MOULDINGS - RETAINERS & SCREWS

ILLUS. REF. NO.	PART NAME	GROUP	ILLUS. REF. NO.	PART NAME	GROUP
1.	PLATE - Name 'Torana'	12.182	6.	CLIP - Moulding (Screw Type)	1.266
2.	LETTER - Front end	1.265	7.	MOULDING - Grille side	1.266
3.	PLATE - Name 'SL'	8.132	8.	BRACKET - Name plate	1.265
4.	CLIP - Moulding (Stud Type)	1.266	9.	PLATE - Name 'SL'	1.265
5.	MOULDING - Grille lower	1.266	10.	PLATE - Engine size name	12.182

EXTERNAL ORNAMENTATION

1900
3452582 12.121

2250
9928681 8.132

2850
9928682 8.132

3300
9928928 8.132

Torana
2818707 12.121 9931548 1.265

SL
2818746 8.132 9929525 1.265

**4.2
LITRE**
9931459 8.132

SL/R
9929138 12.121

**SL/R
5000**
9935014 8.132/12.967

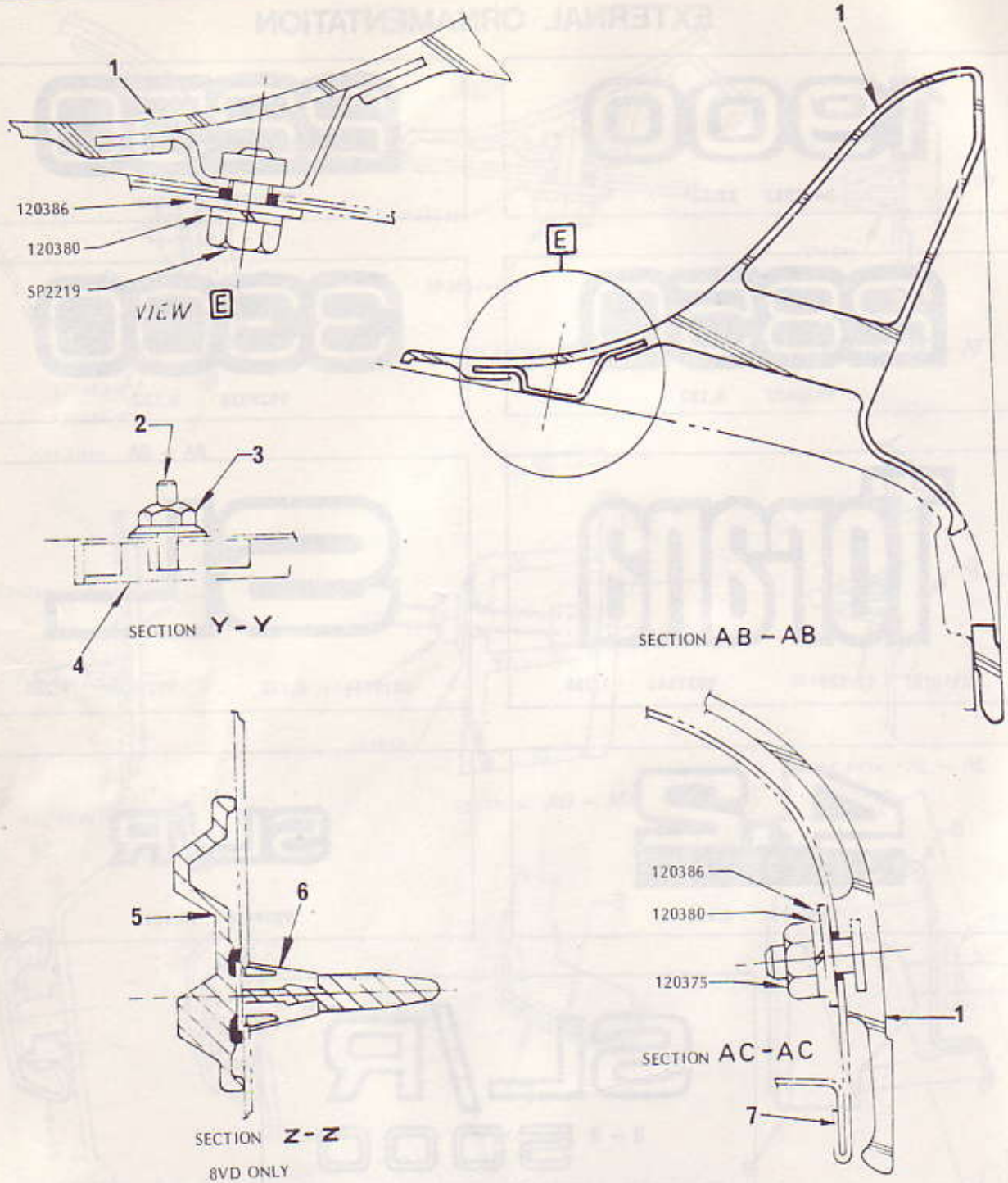
T
2825918
1.265/12.182

O
2825919
1.265/12.182

R
2825920
1.265/12.182

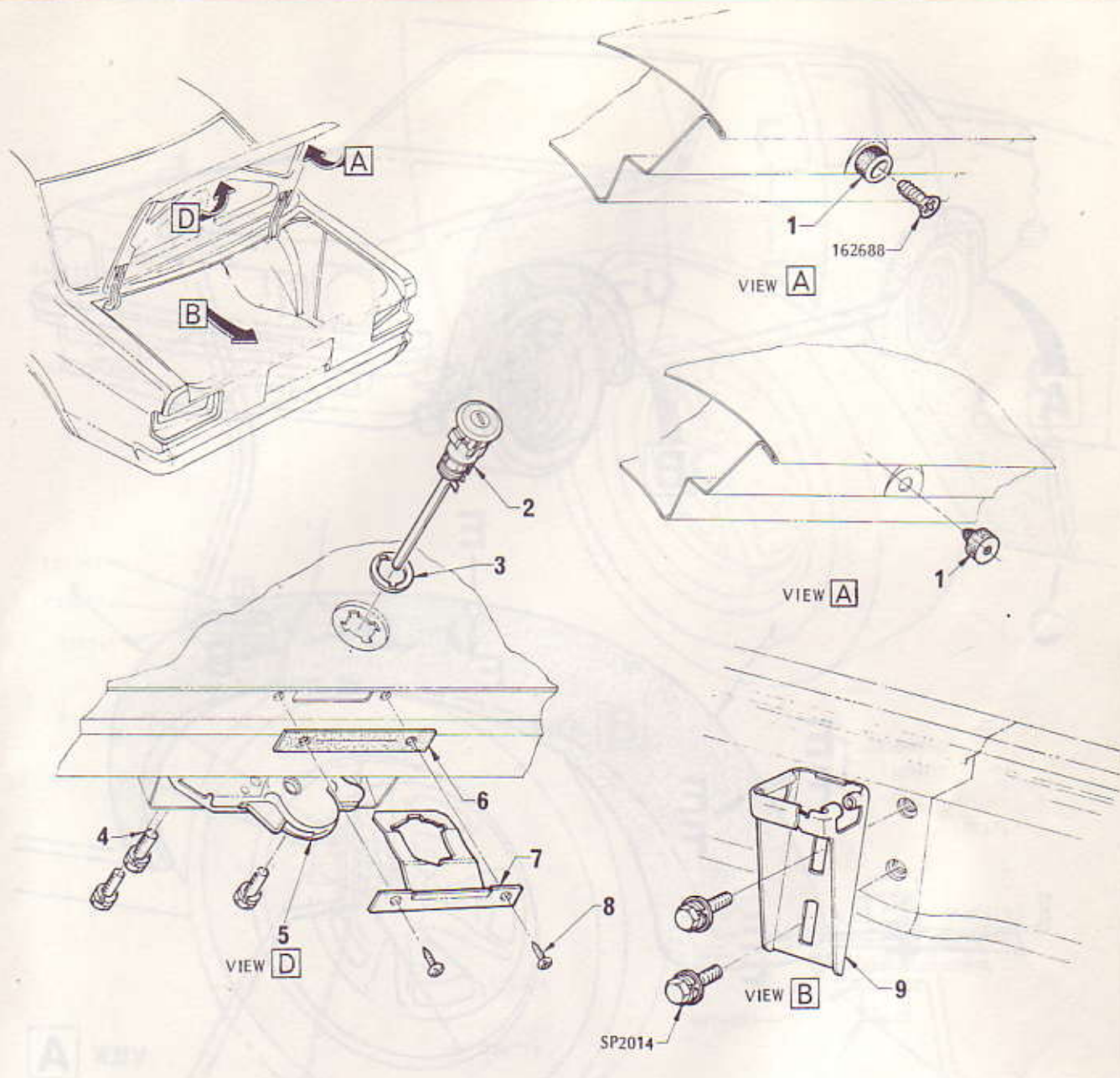
A
2825921
1.265/12.182

N
2825922
1.265/12.182



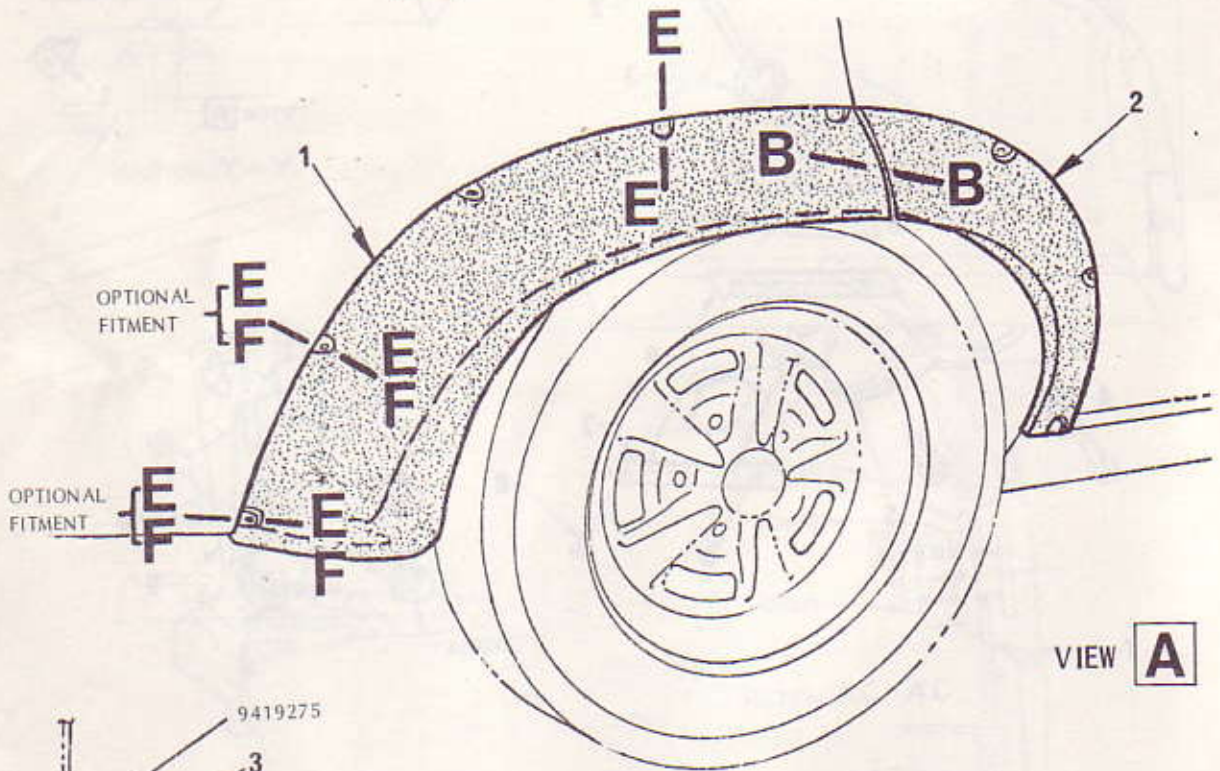
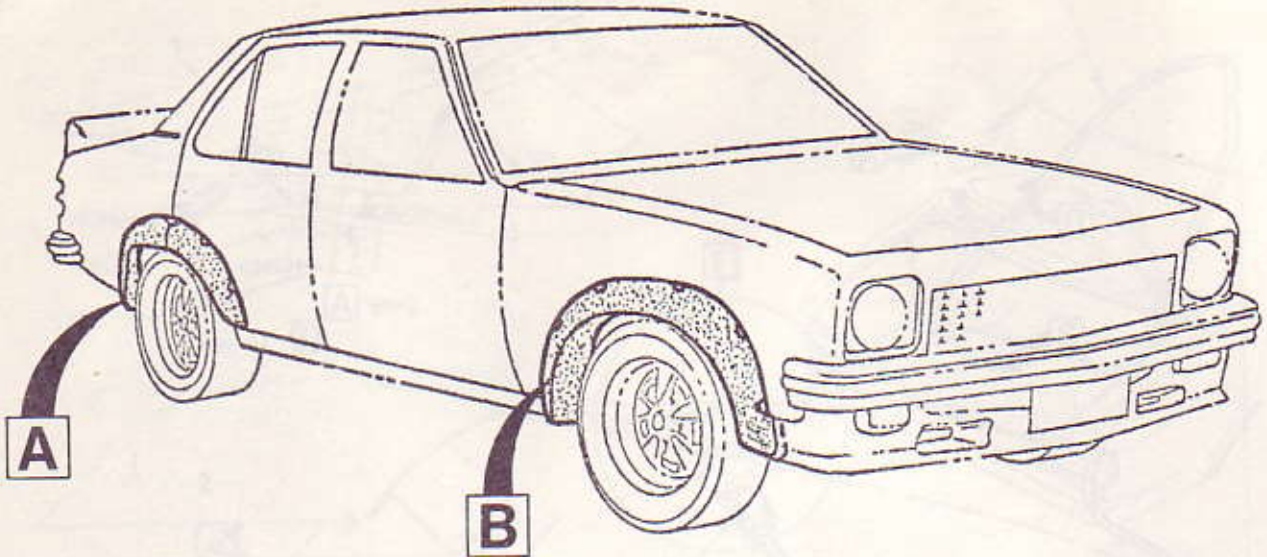
SPOILER, MOULDING and NAME PLATE

ILLUS. REF. NO.	PART NAME	GROUP	ILLUS. REF. NO.	PART NAME	GROUP
1.	SPOILER ASSY.	12.967	5.	PLATE - Name 'SLR'	12.182
2.	STUD - No. 6 - 32 x 3/4"	12.116	6.	CLIP - Name plate (tubular)	12.182
3.	NUT - Stamped No. 6 - 32	12.116	7.	LID ASSY. - Deck	12.181
4.	MOULDING - Quarter side	12.116			

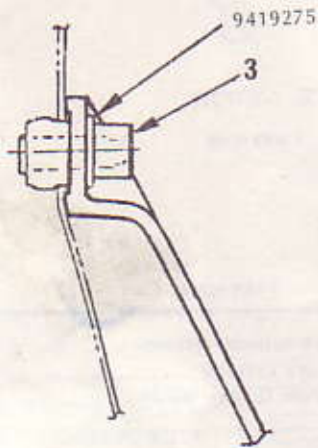


DECK LID LOCK

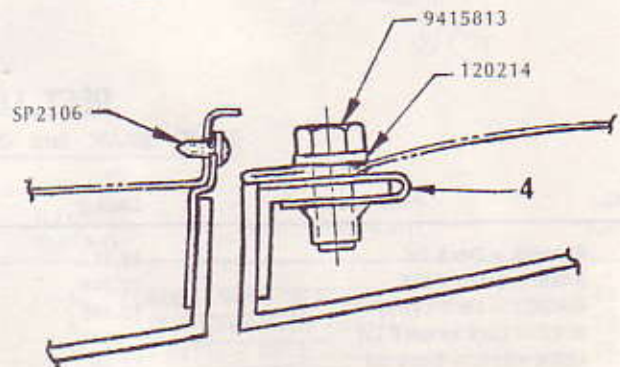
ILLUS. REF. NO.	PART NAME	GROUP	ILLUS. REF. NO.	PART NAME	GROUP
1.	BUMPER – Deck lid	12.212	6.	GASKET – Lock cylinder retainer	12.248
2.	BARREL & KEY ASSY.	12.248	7.	RETAINER – Lock cylinder	12.248
3.	GASKET – Lock cylinder	12.248	8.	SCREW – Retainer to inner panel	12.248
4.	BOLT – Lock to deck lid	12.242	9.	STRIKER	12.237
5.	LOCK ASSY. – Deck lid	12.242			



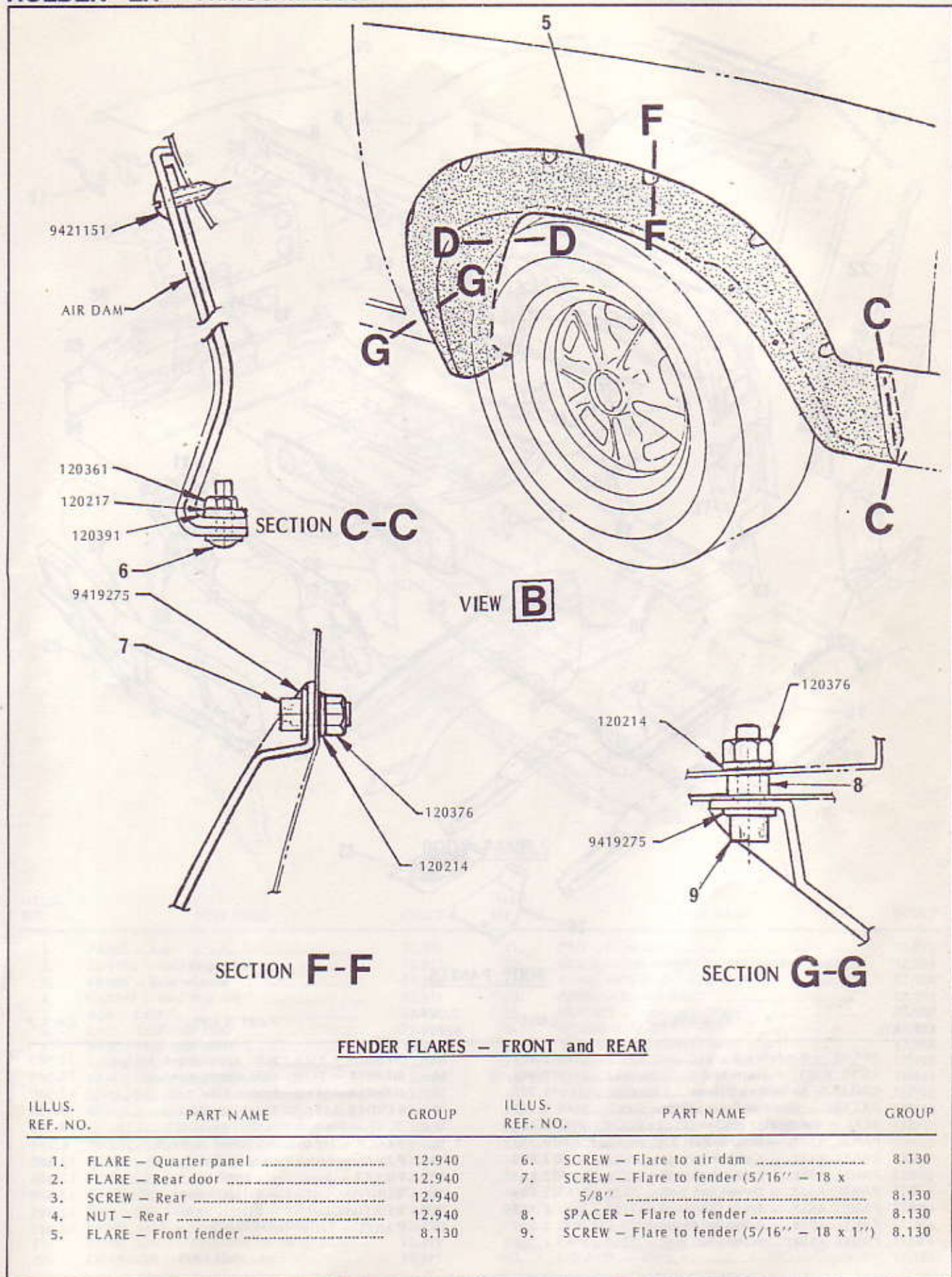
VIEW **A**



SECTION **EE**

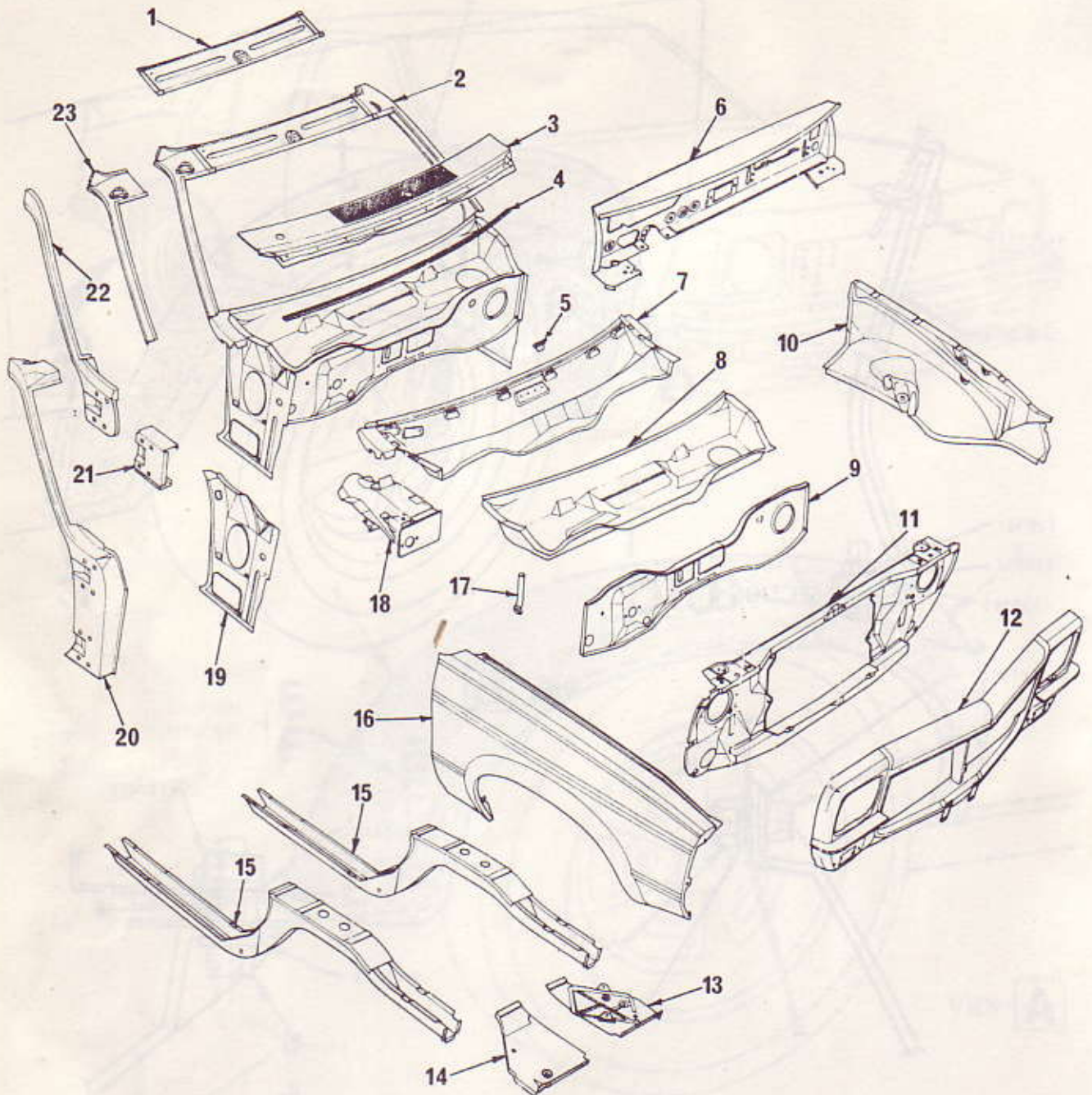


SECTION **BB**



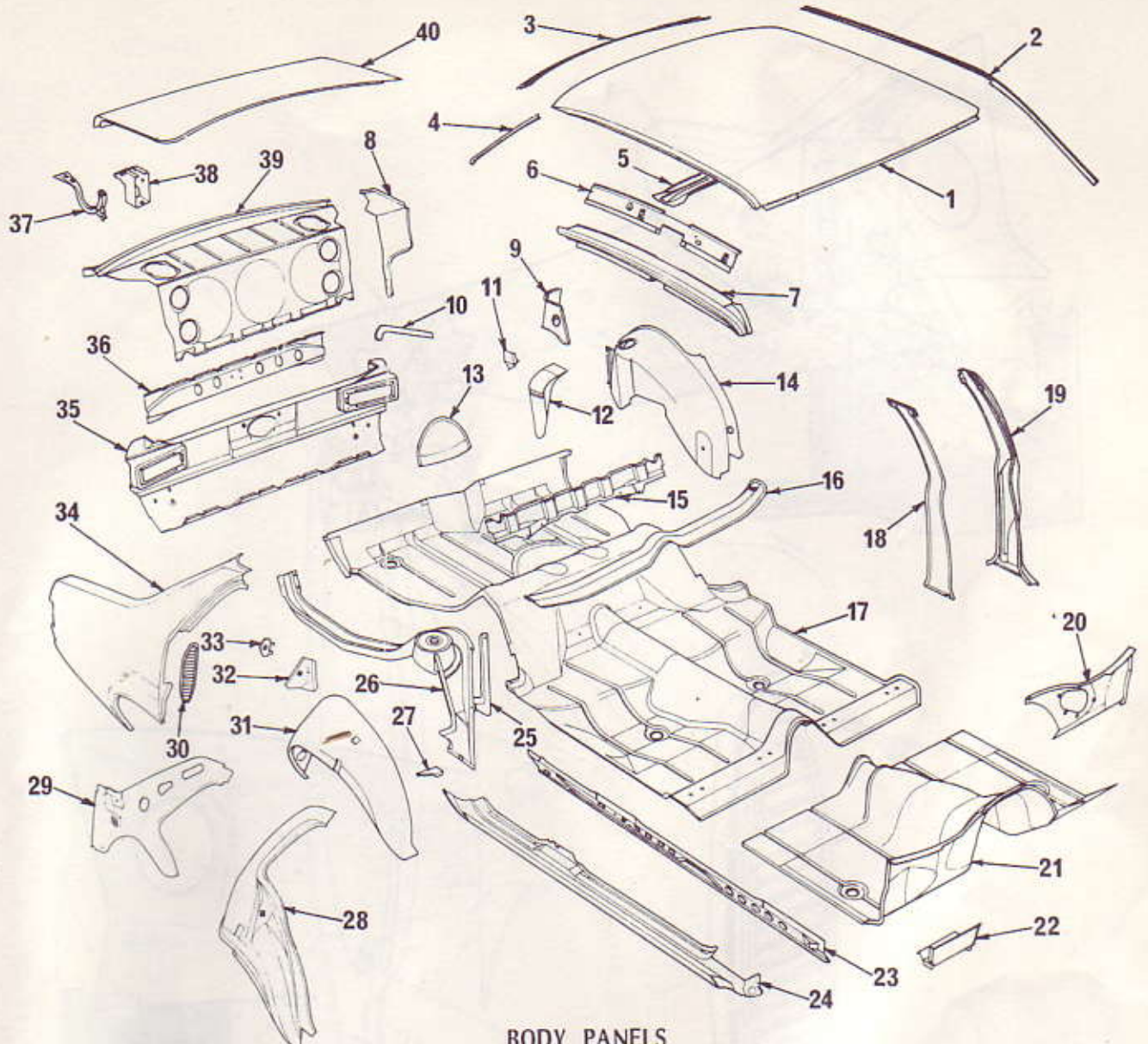
FENDER FLARES – FRONT and REAR

ILLUS. REF. NO.	PART NAME	GROUP	ILLUS. REF. NO.	PART NAME	GROUP
1.	FLARE – Quarter panel	12.940	6.	SCREW – Flare to air dam	8.130
2.	FLARE – Rear door	12.940	7.	SCREW – Flare to fender (5/16" – 18 x 5/8"	8.130
3.	SCREW – Rear	12.940	8.	SPACER – Flare to fender	8.130
4.	NUT – Rear	12.940	9.	SCREW – Flare to fender (5/16" – 18 x 1")	8.130
5.	FLARE – Front fender	8.130			



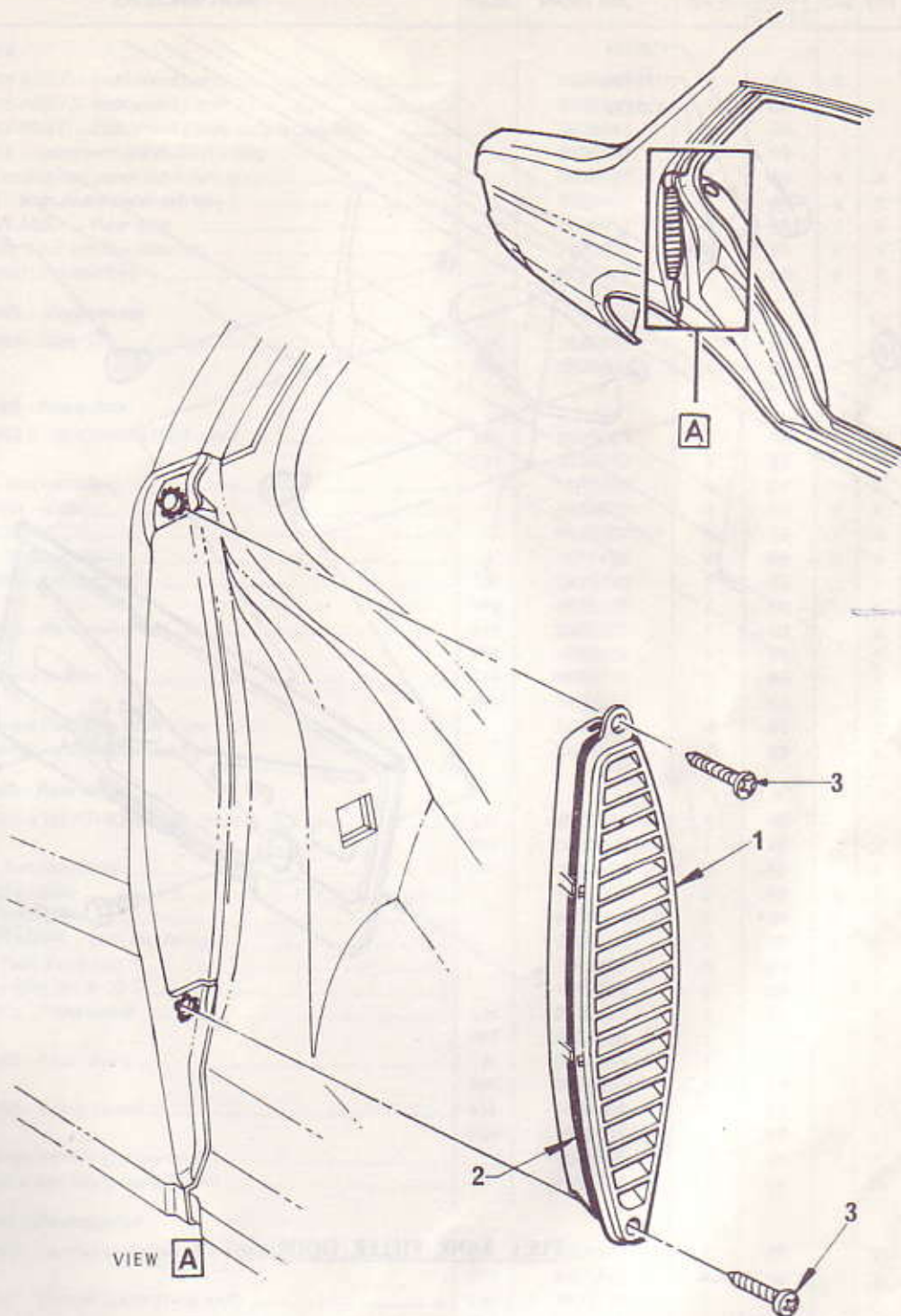
BODY PANELS

ILLUS. REF. NO.	PART NAME	GROUP	ILLUS. REF. NO.	PART NAME	GROUP
1.	FRAME - Windshield	12.807	13.	MEMBER - Frame side upper front, LH	12.980
2.	COWL ASSY. - Front end	12.803	14.	MEMBER - Frame side upper front, RH ...	12.980
3.	GRILLE - Shroud ventilator	10.307	15.	MEMBER ASSY. - Frame side	12.980
4.	LACING - Hood ledge	9.127	16.	FENDER ASSY. - Front	8.130
5.	SEAL - Ventilator grille	10.307	17.	TUBE - Plenum chamber drain	9.785
6.	PANEL ASSY. - Instrument	10.230	18.	BRACE - Instrument panel to dash	6.761
7.	PANEL ASSY. - Cowl top	12.805	19.	PANEL - Pillar inner, lower	12.805
8.	PANEL ASSY. - Plenum chamber	12.803	20.	PILLAR - Front body outer	12.805
9.	PANEL ASSY. - Dash	12.804	21.	REINFORCEMENT - Pillar, lower	12.805
10.	PANEL ASSY. - Front fender skirt	8.153	22.	REINFORCEMENT - Pillar, upper	12.805
11.	PANEL ASSY. - Radiator support	1.270	23.	PANEL - Pillar inner, upper	12.805
12.	PANEL ASSY. - Front end.....	1.266			



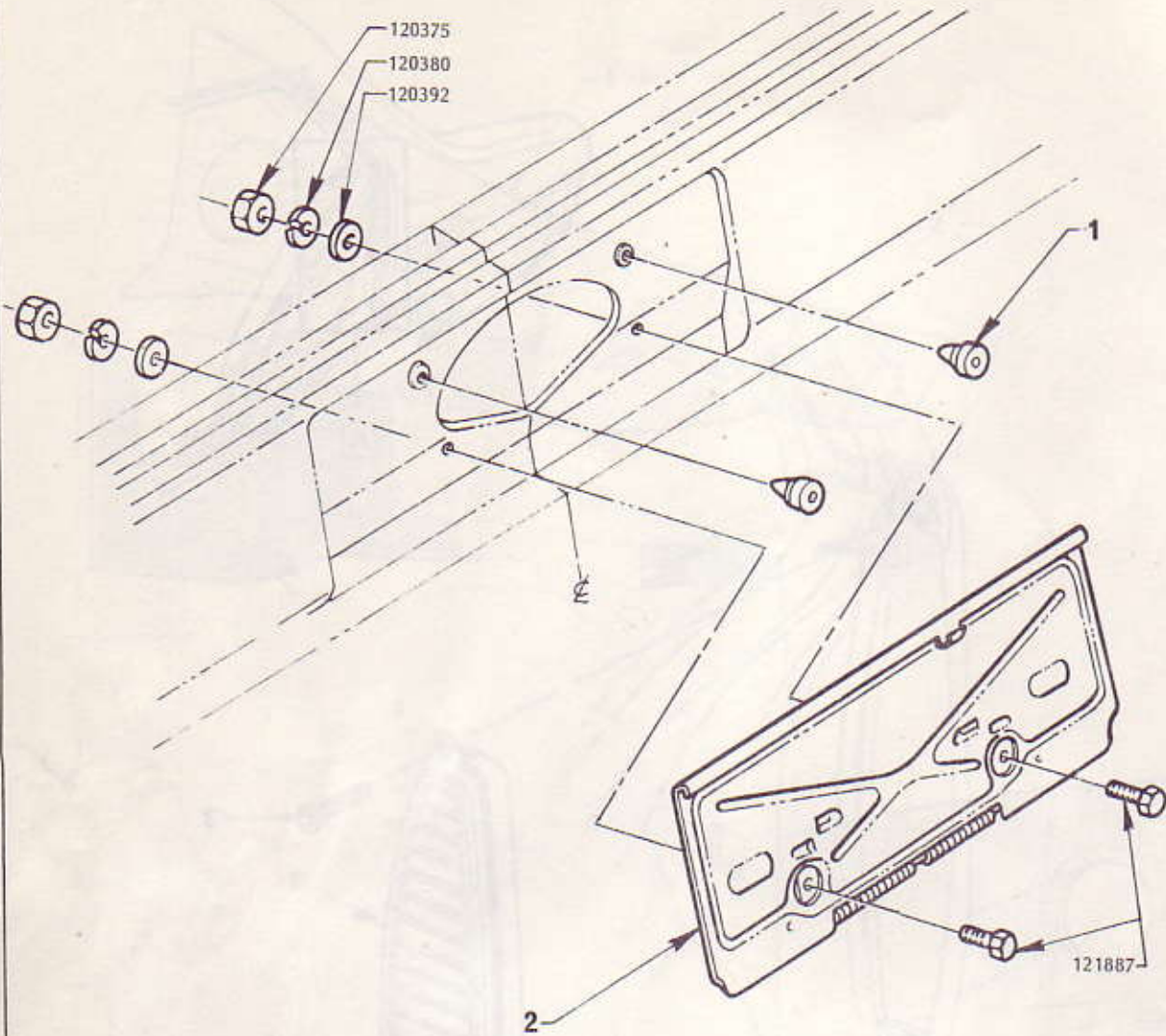
BODY PANELS

ILLUS. REF. NO.	PART NAME	GROUP	ILLUS. REF. NO.	PART NAME	GROUP
1.	PANEL - Roof	12.810	21.	PAN - Front floor	12.972
2.	GUTTER - Roof drip side	12.811	22.	BRACE - Side member to inner rocker panel	12.982
3.	FRAME - Rear window	11.200	23.	PANEL ASSEMBLY - Rocker inner	12.934
4.	GUTTER - Roof drip rear	12.811	24.	PANEL - Rocker outer	12.934
5.	BOW - Roof	12.952	25.	BRACKET - Upper arm, front	5.382
6.	RAIL - Roof side inner	12.956	26.	MEMBER ASSEMBLY - Side	12.982
7.	RAIL - Roof side outer	12.956	27.	SEAL - To wheelhouse outer panel	12.948
8.	EXTENSION - Panel	12.971	28.	PANEL - Rear body lock pillar	12.942
9.	BRACE - Rear shock absorber	12.984	8/14/29.	PANEL ASSEMBLY - Quarter inner	12.941
10.	REINFORCEMENT - Rear compt. lid opening	12.971	30.	VALVE ASSEMBLY - Pressure relief	12.942
11.	BRACE - Hinge bracket	12.184	31.	PANEL - Rear wheelhouse outer	12.944
12.	MOUNTING ASSEMBLY - Rear shock absorb.	12.984	32.	REINFORCEMENT - Rear body lock pillar	12.942
13.	PROTECTOR - Fuel tank filler pipe	3.003	33.	PLATE - Door lock striker anchor	10.571
14.	PANEL - Rear wheelhouse inner	12.944	34.	PANEL ASSY. - Quarter outer	12.940
15.	EXTENSION - Panel lower	12.971	35.	PANEL ASSY. - Rear end outer	12.966
16.	CROSSBAR - Underbody	12.982	36.	PANEL ASSY. - Rear end inner	12.966
17.	PAN - Rear floor	12.981	37.	HINGE ASSY. - Deck lid	12.184
18.	PANEL ASSY. - Centre pillar inner	12.491	38.	BRACKET ASSY. Hinge mounting	12.184
19.	PANEL ASSY. - Centre pillar outer	12.491	39.	PANEL ASSY. - Rear compartment front	12.971
20.	EXTENSION - Front floor pan	12.972	40.	LID ASSY. - Deck	12.181



REAR QUARTER RELIEF VALVE

ILLUS. REF. NO.	PART NAME	GROUP
1.	VALVE ASSY. - Pressure relief	12.942
2.	GASKET - Pressure relief valve	12.942
3.	SCREW - Valve to quarter panel	12.942



FUEL TANK FILLER DOOR

ILLUS. REF. NO.	PART NAME	GROUP
1.	BUMPER - Filler door	12.966
2.	DOOR ASSY. - Filler	12.966

HOLDEN "LH" PARTS CATALOGUE

GROUP	DESCRIPTION	SIDE	PART No.	QTY.	BODY STYLE	UG	UH	VB	VC	VD	
12.030	ASH TRAY										
	ASH TRAY ASSY. - Instrument panel		9929839	1	69	X		X			
	ASH TRAY ASSY. - Instrument panel		9929840	1	69		X		X		
	ASH TRAY ASSY. - Instrument panel, exc. 5 Litre Eng.		9929841	1	69					X	
	ASH TRAY - Instrument panel, 5 Litre Eng.		9936597	1	69					X	
	PANEL - Instrument panel ash tray mtg.		9936921	1	69	X	X	X	X	X	
	BUMPER - Instrument panel ash tray		9928452	1	69	X	X	X	X	X	
	ASH TRAY ASSY. - Rear door		2825811	2	69	X	X	X	X	X	
	CLIP - Rear door ash tray retaining		2820398	2	69	X	X	X	X	X	
	SEAL - Rear door ash tray		2820411	2	69	X	X	X	X	X	
12.075	MOULDING - Roof reveal										
	MOULDING - Side	LH	2823935	1	69	X	X	X	X	X	
		RH	2823936	1	69	X	X	X	X	X	
12.112	MOULDING - Front door										
	MOULDING & WEATHERSTRIP - Belt	LH	9929613	1	69		X		X	X	
		RH	9929612	1	69		X		X	X	
	SCREW - Belt moulding		SP2429	8	69		X		X	X	
	MOULDING - Side		9930702	2	69	X	X	X	X	X	
	CLIP PACKAGE		9930702CLP	2	69	X	X	X	X	X	
	SCREW - Side moulding		SP2495	10	69	X	X	X	X	X	
	MOULDING - Front reveal	LH	2825159	1	69		X		X	X	
		RH	2825158	1	69		X		X	X	
	MOULDING - Rear reveal	LH	9928607	1	69		X		X	X	
		RH	9928606	1	69		X		X	X	
	PLATE - Front anchor	LH	9930713	1	69		X		X	X	
		RH	9930714	1	69		X		X	X	
	CLIP - Reveal moulding (stud type)		7438659	18	69		X		X	X	
	CLIP - Reveal moulding (screw type)		7433488	A.R.	69		X		X	X	
	12.114	MOULDING - Rear door									
MOULDING & WEATHERSTRIP - Belt		LH	9929593	1	69		X		X	X	
		RH	9929592	1	69		X		X	X	
SCREW - Belt moulding		RH	SP2429	6	69		X		X	X	
MOULDING - Side			9930703	2	69	X	X	X	X	X	
CLIP PACKAGE			9930703CLP	2	69	X	X	X	X	X	
RETAINER ASSY. - Side moulding			2829918	2	69	X	X	X	X	X	
SCREW - Side moulding			SP2495	26	69	X	X	X	X	X	
NUT - Stamped No. 6-32			SP2443	2	69	X	X	X	X	X	
MOULDING - Front reveal		LH	9928607	1	69		X		X	X	
		RH	9928606	1	69		X		X	X	
MOULDING - Rear reveal		LH	9928611	1	69		X		X	X	
		RH	9928610	1	69		X		X	X	
MOULDING - Upper reveal		LH	9928609	1	69		X		X	X	
		RH	9928608	1	69		X		X	X	
CLIP - Reveal moulding (stud type)			7438659	26	69		X		X	X	
CLIP - Reveal moulding (screw type)		7433488	A.R.	69		X		X	X		
12.116	MOULDING - Rear quarter										
	MOULDING - Quarter upper (two tone paint)	LH	9928441	1	69		X	X	X		
		RH	9928442	1	69		X	X	X		
	MOULDING - Quarter upper (vinyl roof)	LH	9933723	1	69		X	X	X	X	
		RH	9933722	1	69		X	X	X	X	
	CLIP - Moulding (stud type) (two tone paint)		7438659	4	69		X	X	X	X	
	CLIP - Moulding (stud type) (vinyl roof)		2810747	4	69		X		X	X	
	STUD - Moulding (two tone paint & vinyl roof)		9930886	2	69		X	X	X	X	
	CLIP - Moulding (screw type) (two tone paint & vinyl roof)		7433488	A.R.	69		X	X	X	X	
	MOULDING - Quarter side		9933706	2	69	X	X	X	X	X	
	CLIP PACKAGE		9933706CLP	2	69	X	X	X	X	X	
	RETAINER - Side moulding		2829918	2	69	X	X	X	X	X	

HOLDEN "LH" PARTS CATALOGUE

GROUP	DESCRIPTION	SIDE	PART No.	QTY.	BODY STYLE	UG	UH	VB	VC	VD	
12.116	MOULDING - Rear quarter (contd.)										
	SCREW - Moulding		SP2495	10	69	X	X	X	X	X	
	STUD - No. 6-32 x 3/4"		9937627	2	69	X	X	X	X	X	
	NUT - Stamped No. 6-32		SP2443	2	69	X	X	X	X	X	
	MOULDING - Tail lamp reveal		9928509	2	69		X		X		
	CLIP - Moulding		SP2438	12	69		X		X		
	CLIP - Tail lamp reveal moulding		SP1606	2	69		X		X		
12.121	NAME PLATE - Rear end panel										
	PLATE - "Torana" name		2818707	1	69	X	X				
	PLATE - "SLR" name exc. 5 Litre Eng.		9929138	1	69					X	
	PLATE - Engine size name (1900)		177730	1	69	X	X				
	CLIP - Name plate (tubular)		SP1606	2	69	X	X			X	
12.181	LID - Deck										
	LID ASSEMBLY		9929673	1	69	X	X	X	X	X	
12.182	LETTER - Decklid name										
	LETTER "T"		2825918	1	69			X	X	X	
	LETTER "O"		2825919	1	69			X	X	X	
	LETTER "R"		2825920	1	69			X	X	X	
	LETTER "A"		2825921	2	69			X	X	X	
	LETTER "N"		2825922	1	69			X	X	X	
	CLIP - Letter attaching		SP2419	12	69			X	X	X	
12.184	HINGE, BRACKET - Deck lid										
	HINGE ASSEMBLY		7449753	2	69	X	X	X	X	X	
	BRACKET ASSY. - Hinge mounting	LH	2824029	1	69	X	X	X	X	X	
		RH	2824030	1	69	X	X	X	X	X	
	BRACE - Hinge bracket	LH	2824211	1	69	X	X	X	X	X	
		RH	2824212	1	69	X	X	X	X	X	
	SCREW - Hinge to deck lid		SP2614	4	69	X	X	X	X	X	
12.186	PIN - Deck lid hinge										
	PIN		7408627	2	69	X	X	X	X	X	
12.187	ROD - Deck lid torque										
	ROD	LH	2824699	1	69	X	X	X	X	X	
		RH	2824698	1	69	X	X	X	X	X	
12.212	BUMPER - Deck lid										
	BUMPER		2809447	2	69	X	X	X	X	X	
12.237	STRIKER - Deck lid lock										
	STRIKER		2810483	1	69	X	X	X	X	X	
	SCREW - Striker to panel		SP2614	2	69	X	X	X	X	X	
12.242	LOCK - Deck lid										
	LOCK ASSEMBLY		7421890	1	69	X	X	X	X	X	
	PLATE - Lock anchor		2810326	1	69	X	X	X	X	X	
	BOLT - Lock to deck lid		SP2064	3	69	X	X	X	X	X	
12.248	BARREL & KEY - Deck lid										
	BARREL & KEY ASSEMBLY - (Coded)		2815103	1	69	X	X	X	X	X	
	SERVICE PACKAGE - Uncoded		M37125	1	69	X	X	X	X	X	
	TUMBLER - No. 1 (package of 100)		3901061	AR	69	X	X	X	X	X	
	TUMBLER - No. 2 (package of 100)		3901062	AR	69	X	X	X	X	X	
	TUMBLER - No. 3 (package of 100)		3901063	AR	69	X	X	X	X	X	
	TUMBLER - No. 4 (package of 100)		3901064	AR	69	X	X	X	X	X	
	TUMBLER - No. 5 (package of 100)		3901065	AR	69	X	X	X	X	X	
	GASKET - Lock cylinder		4780518	1	69	X	X	X	X	X	
	RETAINER - Lock cylinder		7432669	1	69	X	X	X	X	X	
	GASKET - Lock cylinder retainer		7432672	1	69	X	X	X	X	X	
	SCREW - Retainer to inner panel		7426400	2	69	X	X	X	X	X	

HOLDEN "LH" PARTS CATALOGUE

GROUP	DESCRIPTION	SIDE	PART No.	QTY.	BODY STYLE	UG	UH	VB	VC	VD
12.269	WEATHERSTRIP - Deck lid WEATHERSTRIP		2807045	1	69	X	X	X	X	X
12.491	PANEL - Centre pillar PANEL ASSY. - Centre pillar inner	LH	2823357	1	69	X	X	X	X	X
		RH	2823356	1	69	X	X	X	X	X
	PANEL ASSY. - Centre pillar outer	LH	2824577	1	69	X	X	X	X	X
		RH	2824578	1	69	X	X	X	X	X
12.803	COWL - Body front end COWL ASSEMBLY RIGHT HAND DRIVE		2824322	1	69	X	X	X	X	X
	LEFT HAND DRIVE		2824321	1	69	X	X	X	X	X
	PANEL ASSY. - Plenum chamber RIGHT HAND DRIVE		2823439	1	69	X	X	X	X	X
	LEFT HAND DRIVE		2824316	1	69	X	X	X	X	X
	SILENCER - Plenum chamber RIGHT HAND DRIVE	LH	E955	1	69	X	X	X	X	X
		RH	E432	1	69	X	X	X	X	X
	LEFT HAND DRIVE	LH	E987	1	69	X	X	X	X	X
		RH	E986	1	69	X	X	X	X	X
	COVER - Heater opening centre (without heater)		9932808	1	69	X	X	X	X	X
	COVER - Heater opening side (without heater)		9932809	2	69	X	X	X	X	X
12.804	PANEL - Dash PANEL ASSEMBLY RIGHT HAND DRIVE		2823430	1	69	X	X	X	X	X
	LEFT HAND DRIVE		2823429	1	69	X	X	X	X	X
	PLUG - Sealing (without heater)		SP1828	1	69	X	X	X	X	X
12.805	PANEL - Cowl top PANEL ASSEMBLY RIGHT HAND DRIVE		2823449	1	69	X	X	X	X	X
	LEFT HAND DRIVE		2823451	1	69	X	X	X	X	X
12.805	PILLAR - Front body PILLAR - Outer	LH	9931073	1	69	X	X	X	X	X
		RH	9931072	1	69	X	X	X	X	X
	REINFORCEMENT - Pillar, upper	LH	2823433	1	69	X	X	X	X	X
		RH	2823434	1	69	X	X	X	X	X
	REINFORCEMENT - Pillar, lower	LH	2823435	1	69	X	X	X	X	X
		RH	2823436	1	69	X	X	X	X	X
	PANEL - Pillar inner, upper	LH	2823431	1	69	X	X	X	X	X
		RH	2823432	1	69	X	X	X	X	X
	PANEL - Pillar inner, lower	LH	2823437	1	69	X	X	X	X	X
		RH	2823438	1	69	X	X	X	X	X
12.807	FRAME - Windshield FRAME		2823441	1	69	X	X	X	X	X
12.810	PANEL - Roof PANEL		2823317	1	69	X	X	X	X	X
12.810	COVER - Roof panel COVER ASSEMBLY - Black		9930973CY	1	69		X	X	X	X
	COVER ASSEMBLY - Ash		9930973DC	1	69		X	X	X	X
	COVER ASSEMBLY - Doeskin		9930973DF	1	69		X	X	X	X
	COVER ASSEMBLY - Chestnut		9930973DG	1	69		X	X	X	X
	COVER ASSEMBLY - Dove Grey		9930973DR	1	69	X	X	X	X	X
	COVER ASSEMBLY - Chamois		9930973DV	1	69	X	X	X	X	X
	COVER ASSEMBLY - Gazelle		9930973DW	1	69	X	X	X	X	X
12.811	GUTTER - Roof drip GUTTER - Front	LH	9936933	1	69	X	X	X	X	X
		RH	9936932	1	69	X	X	X	X	X
	GUTTER - Side	LH	2823629	1	69	X	X	X	X	X
		RH	2823628	1	69	X	X	X	X	X
	GUTTER - Rear	LH	2823685	1	69	X	X	X	X	X
		RH	2823686	1	69	X	X	X	X	X
	SCREW - Gutter to quarter panel		SP2192	8	69	X	X	X	X	X

HOLDEN "LH" PARTS CATALOGUE

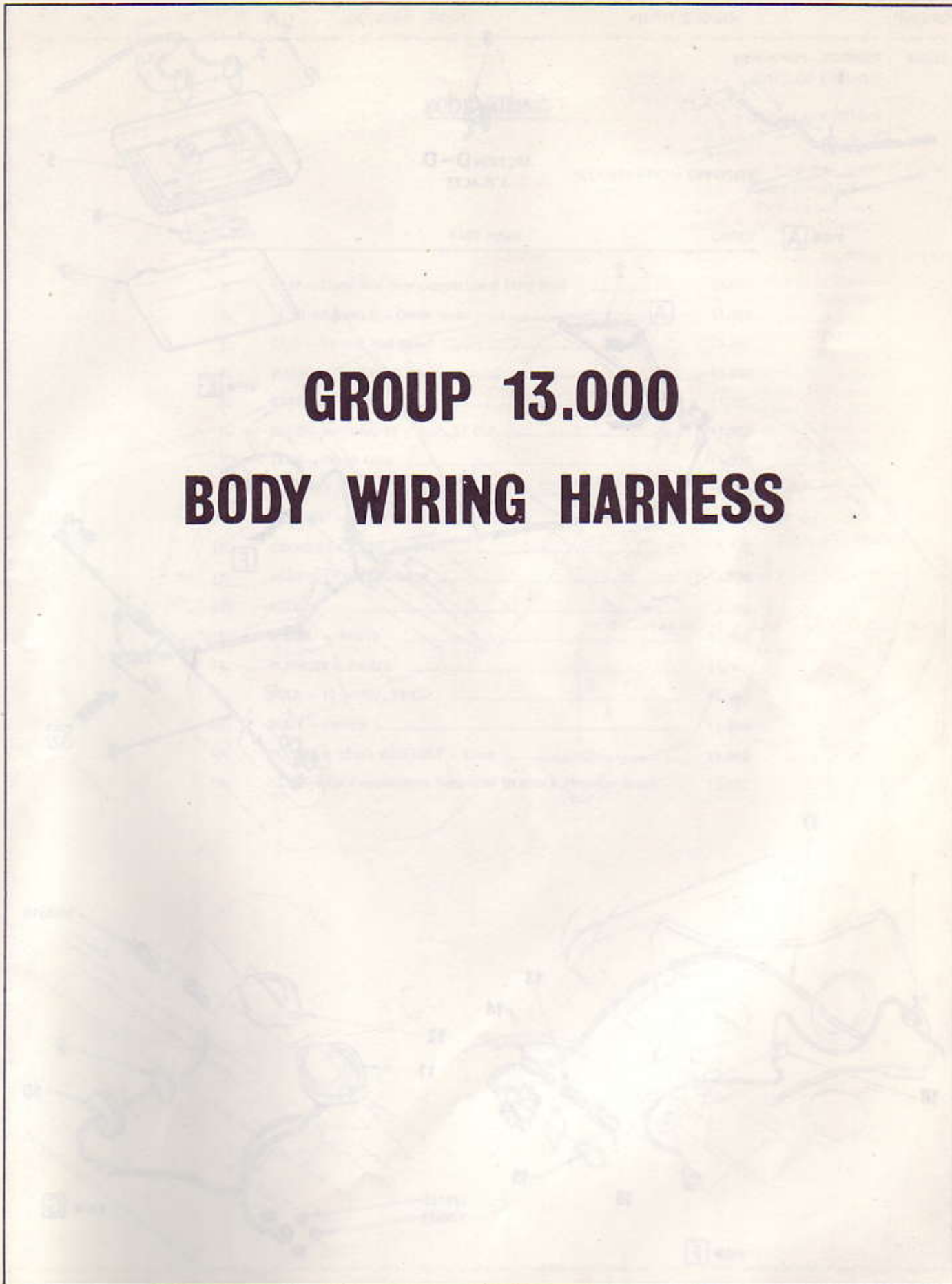
GROUP	DESCRIPTION	SIDE	PART No.	QTY.	BODY STYLE	UG	UH	VB	VC	VD	
12.895	DOOR - Front less glass, trim & hardware DOOR ASSEMBLY	LH	2823321	1	69	X	X	X	X	X	
		RH	2823320	1	69	X	X	X	X	X	
12.895	PANEL - Front door outer PANEL ASSEMBLY	LH	2823323	1	69	X	X	X	X	X	
		RH	2823322	1	69	X	X	X	X	X	
12.913	DOOR - Rear less glass, trim & hardware DOOR ASSEMBLY	LH	2823327	1	69	X	X	X	X	X	
		RH	2823326	1	69	X	X	X	X	X	
12.913	PANEL - Rear door outer PANEL ASSEMBLY	LH	2823329	1	69	X	X	X	X	X	
		RH	2823328	1	69	X	X	X	X	X	
12.934	PANEL - Rocker PANEL ASSEMBLY - Inner	LH	9928793	1	69	X	X	X	X	X	
		RH	9928792	1	69	X	X	X	X	X	
		LH	9931079	1	69	X	X	X	X	X	
		RH	9931078	1	69	X	X	X	X	X	
12.938	FRAME - Body side FRAME ASSEMBLY	LH	2824355	1	69	X	X	X	X	X	
		RH	2824356	1	69	X	X	X	X	X	
12.940	PANEL - Quarter outer PANEL ASSEMBLY - Complete	LH	2823541	1	69	X	X	X	X	X	
		RH	2823540	1	69	X	X	X	X	X	
		LH	2824003	1	69	X	X	X	X	X	
		RH	2824004	1	69	X	X	X	X	X	
		LH	9936903	1	69	X	X	X	X	X	
		RH	9936904	1	69	X	X	X	X	X	
			SUPPORT - Tail lamp		2823776	2	69	X	X	X	X
12.940	FLARE - Rear FLARE ASSEMBLY - Quarter panel - L34 Eng	LH	9937315	1	69					X	
		RH	9937314	1	69					X	
		LH	9937317	1	69					X	
		RH	9937316	1	69					X	
			FINISHING STRIP - Rear quarter panel - L34 Eng		9940310	2	69				X
			FINISHING STRIP - Rear door - L34 Eng		9940311	2	69				X
			SCREW - Flare to quarter panel (hex. soc. hd. cap 5/16" - 18 x 5/8") L34 Eng		SP2571	10	69				X
			SCREW - Flare to door (hex. soc. hd. cap 5/16" - 18 x 5/8") L34 Eng		SP2571	4	69				X
			NUT - 5/16" insert (flare to quarter panel) L34 Eng		SP2343	10	69				X
			NUT - 5/16" insert (flare to door) L34 Eng		SP2343	6	69				X
			SCREW - Flare to door (hex. soc. hd. cap 5/16" - 18 x 1") L34 Eng		SP2572	2	69				X
12.941	PANEL - Quarter inner PANEL ASSEMBLY	LH	2823533	1	69	X	X	X	X	X	
		RH	2823532	1	69	X	X	X	X	X	
12.942	PANEL, REINFORCEMENT, VALVE - Rear body lock pillar PANEL	LH	9931077	1	69	X	X	X	X	X	
		RH	9931076	1	69	X	X	X	X	X	
		LH	2825693	1	69	X	X	X	X	X	
		RH	2825692	1	69	X	X	X	X	X	
		LH	2825131	1	69	X	X	X	X	X	
		RH	2825132	1	69	X	X	X	X	X	
			SCREW - Valve assy. to quarter panel		7426400	2	69	X	X	X	X
	SEAL - Pressure relief valve		9938893	2	69	X	X	X	X		

HOLDEN "LH" PARTS CATALOGUE

GROUP	DESCRIPTION	SIDE	PART No.	QTY.	BODY STYLE	UG	UH	VB	VC	VD
12.944	PANEL - Rear wheelhouse									
	PANEL - Outer	LH	2823829	1	69	X	X	X	X	X
		RH	2823830	1	69	X	X	X	X	X
	PANEL - Inner	LH	2825085	1	69	X	X	X	X	X
		RH	2825084	1	69	X	X	X	X	X
	PLATE - Paint drain cover		7418525	2	69	X	X	X	X	X
	PLUG - Shock absorber access hole		7139959	2	69	X	X	X	X	X
12.948	SEAL - Body side panel									
	SEAL - To wheelhouse outer panel	LH	2824363	1	69	X	X	X	X	X
		RH	2824364	1	69	X	X	X	X	X
	PLUG - Seal		SP1828	2	69	X	X	X	X	X
12.952	BOW - Roof									
	BOW ROOF		2823392	1	69	X	X	X	X	X
	BOW ROOF - Rear		9936352	1	69	X	X	X	X	X
12.955	WIRE - Headlining listing									
	WIRE - Nos 1 & 3		2823880	2	69	X	X	X	X	X
	WIRE - No. 2		9936910	2	69	X	X	X	X	X
	WIRE - No. 4		9936910	1	69	X	X	X	X	X
	WIRE - No. 5		2823881	1	69	X	X	X	X	X
12.956	RAIL - Roof side									
	RAIL - Inner	LH	2823623	1	69	X	X	X	X	X
		RH	2823622	1	69	X	X	X	X	X
	RAIL - Outer	LH	9931075	1	69	X	X	X	X	X
		RH	9931074	1	69	X	X	X	X	X
12.966	PANEL - Rear end									
	PANEL ASSEMBLY - Inner		9930712	1	69	X	X	X	X	X
	PANEL ASSEMBLY - Outer		2824697	1	69	X	X	X	X	X
12.966	DOOR, BRACKET, SPRING, PIN, BUMPER - Fuel tank filler									
	DOOR ASSEMBLY - Filler		2811713	1	69	X	X	X	X	X
	BRACKET - Filler door		2811710	1	69	X	X	X	X	X
	SPRING - Filler door		2811711	1	69	X	X	X	X	X
	PIN - Filler door		3857018	1	69	X	X	X	X	X
	BUMPER - Filler door		7427353	2	69	X	X	X	X	X
12.967	SPOILER - Rear compartment lid air									
	SPOILER PACKAGE		9936515	1	69	X	X	X	X	X
	SCREW - Spoiler assy. to rear compartment lid		SP2064	3	69	X	X	X	X	X
	TRANSFER - 'SLR 5000'		9935014	1	69					X
12.971	PANEL, EXTENSION - Rear compartment front									
	PANEL ASSEMBLY		2824670	1	69	X	X	X	X	X
	EXTENSION - Panel	LH	2824583	1	69	X	X	X	X	X
		RH	2824582	1	69	X	X	X	X	X
	EXTENSION - Panel lower		2823836	1	69	X	X	X	X	X
12.971	REINFORCEMENT - Rear compartment lid opening									
	REINFORCEMENT	LH	2824247	1	69	X	X	X	X	X
		RH	2824246	1	69	X	X	X	X	X
12.972	PAN - Front floor									
	PAN - Steering column shift		2823465	1	69	X	X	X	X	
	PAN - Console shift		9933544	1	69	X	X	X	X	X
	EXTENSION	RIGHT HAND DRIVE	LH	2824035	1	69	X	X	X	X
			RH	2824142	1	69	X	X	X	X
		LEFT HAND DRIVE	LH	2824143	1	69	X	X	X	X
			RH	2824036	1	69	X	X	X	X
	PLATE - Paint drain cover		7418525	2	69	X	X	X	X	X
	CAP - Underbody sealing		7410830	2	69	X	X	X	X	X

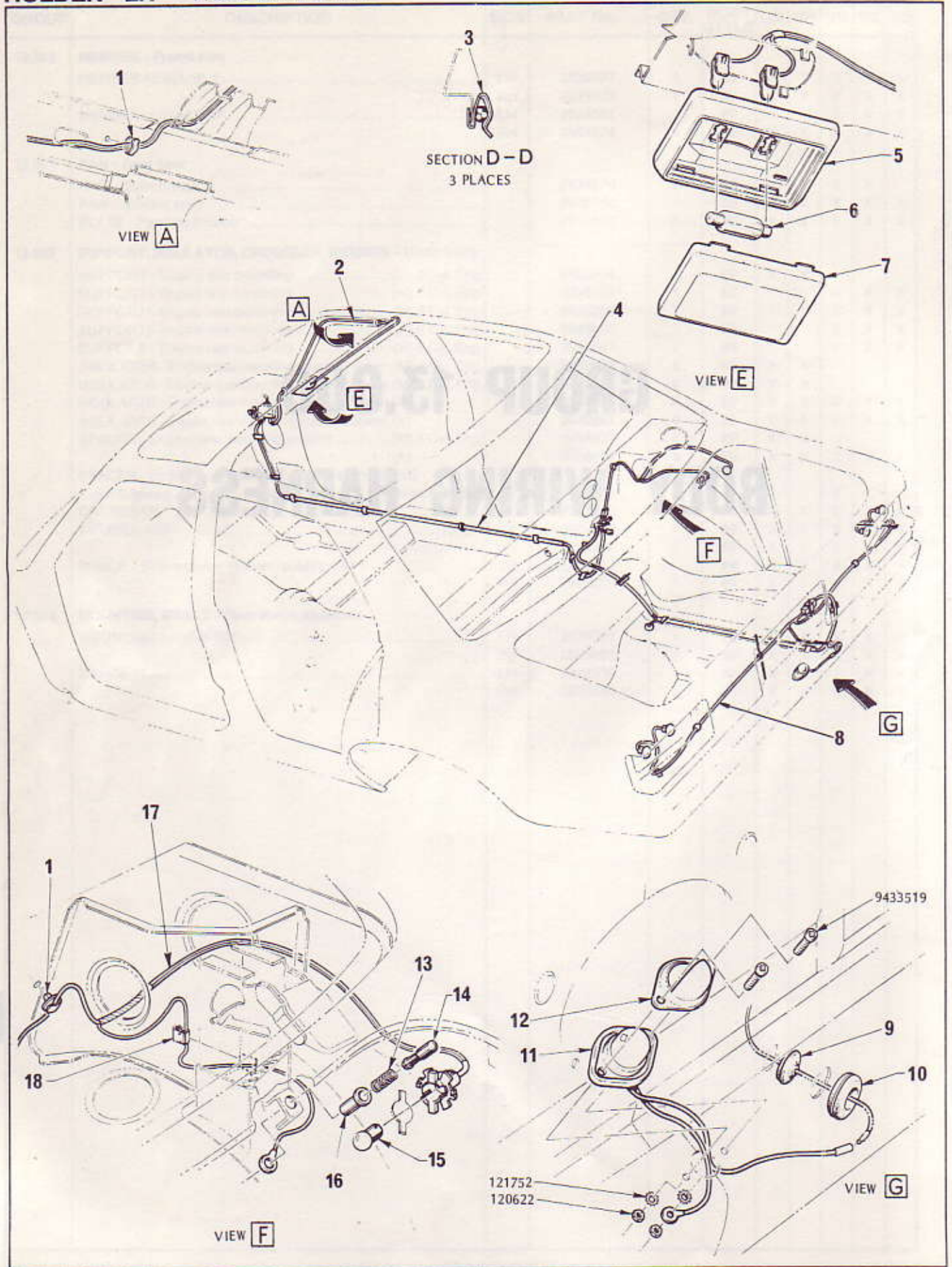
HOLDEN "LH" PARTS CATALOGUE

GROUP	DESCRIPTION	SIDE	PART No.	QTY.	BODY STYLE	UG	UH	VB	VC	VD	
12.980	MEMBER - Frame side										
	MEMBER ASSEMBLY	LH	2824077	1	69	X	X	X	X	X	
		RH	2824078	1	69	X	X	X	X	X	
	MEMBER - Upper front	LH	2824551	1	69	X	X	X	X	X	
		RH	2824224	1	69	X	X	X	X	X	
12.981	PAN - Rear floor										
	PAN - (Bench seat)		2824879	1	69	X	X	X	X		
	PAN - (Bucket seat)		9930292	1	69	X	X	X	X	X	
	PLATE - Paint drain cover		7418525	5	69	X	X	X	X	X	
12.982	SUPPORT, INSULATOR, CROSSBAR, MEMBER - Underbody										
	SUPPORT - Engine rear mounting4 Cyl. Eng.		9933934	1	69	X	X				
	SUPPORT - Engine rear mounting(M) 6 Cyl. Eng.		9928585	1	69			X	X	X	
	SUPPORT - Engine rear mounting(M) 8 Cyl. Eng.		9932866	1	69			X	X	X	
	SUPPORT - Engine rear mounting(A) 6 Cyl. Eng.		9928586	1	69			X	X	X	
	SUPPORT - Engine rear mounting(A) 8 Cyl. Eng.		9932867	1	69			X	X	X	
	INSULATOR - Engine rear mounting support upper (M) 4 Cyl. Eng.		9932688	4	69	X	X				
	INSULATOR - Engine rear mounting support lower (M) 4 Cyl. Eng.		9932687	4	69	X	X				
	INSULATOR - Engine rear mounting support upper (A)		9932688	4	69	X	X	X	X	X	
	INSULATOR - Engine rear mounting support lower (A)		9932687	4	69	X	X	X	X	X	
	SPACER - Engine rear mounting support(M) 4 Cyl. Eng.		9933937	4	69	X	X				
	(A)		9938402	4	69	X	X	X	X	X	
	SPACER - Engine rear mounting support to underbody (M) 3 Speed Trans, 6 Cyl. Eng.LEFT HAND DRIVE		9932768	4	69			X	X		
	CROSSBAR		2823163	1	69	X	X	X	X	X	
	MEMBER ASSY. - Side	LH	2824651	1	69	X	X	X	X	X	
		RH	2824652	1	69	X	X	X	X	X	
	BRACE - Side member to inner rocker panel	LH	2823201	1	69	X	X	X	X	X	
		RH	2823200	1	69	X	X	X	X	X	
	12.984	MOUNTING, BRACE - Rear shock absorber									
		MOUNTING ASSEMBLY	LH	2823207	1	69	X	X	X	X	X
			RH	2823208	1	69	X	X	X	X	X
BRACE		LH	2824539	1	69	X	X	X	X	X	
	RH	2824540	1	69	X	X	X	X	X		



GROUP 13.000

BODY WIRING HARNESS



BODY WIRING

ILLUSTRATION OPPOSITE

ILLUS. REF. NO-	PART NAME	GROUP
1.	CLIP – Dome and rear compartment lamp lead	13.092
2.	LEAD ASSEMBLY – Dome lamp	11.925
3.	CLIP – To rear end panel	13.092
4.	HARNESS ASSEMBLY	13.090
5.	BASE ASSEMBLY	11.925
6.	BULB – Festoon, 12 – 16V, 12 C.P.	11.925
7.	LENS – Dome lamp	11.928
8.	HARNESS ASSEMBLY – Rear	13.090
9.	GROMMET – Lamp lead	2.700
10.	GROMMET – Lamp lead	2.700
11.	LAMP & LEAD ASSEMBLY	2.700
12.	BEZEL	2.706
13.	SPRING – Switch	11.960
14.	PLUNGER – Switch	11.960
15.	BULB – 12 – 16V, 15 C.P.	11.960
16.	BODY – Switch	11.960
17.	SOCKET & LEAD ASSEMBLY – Lamp	11.960
18.	CLIP – Rear compartment lamp lead to shock absorber brace	13.092

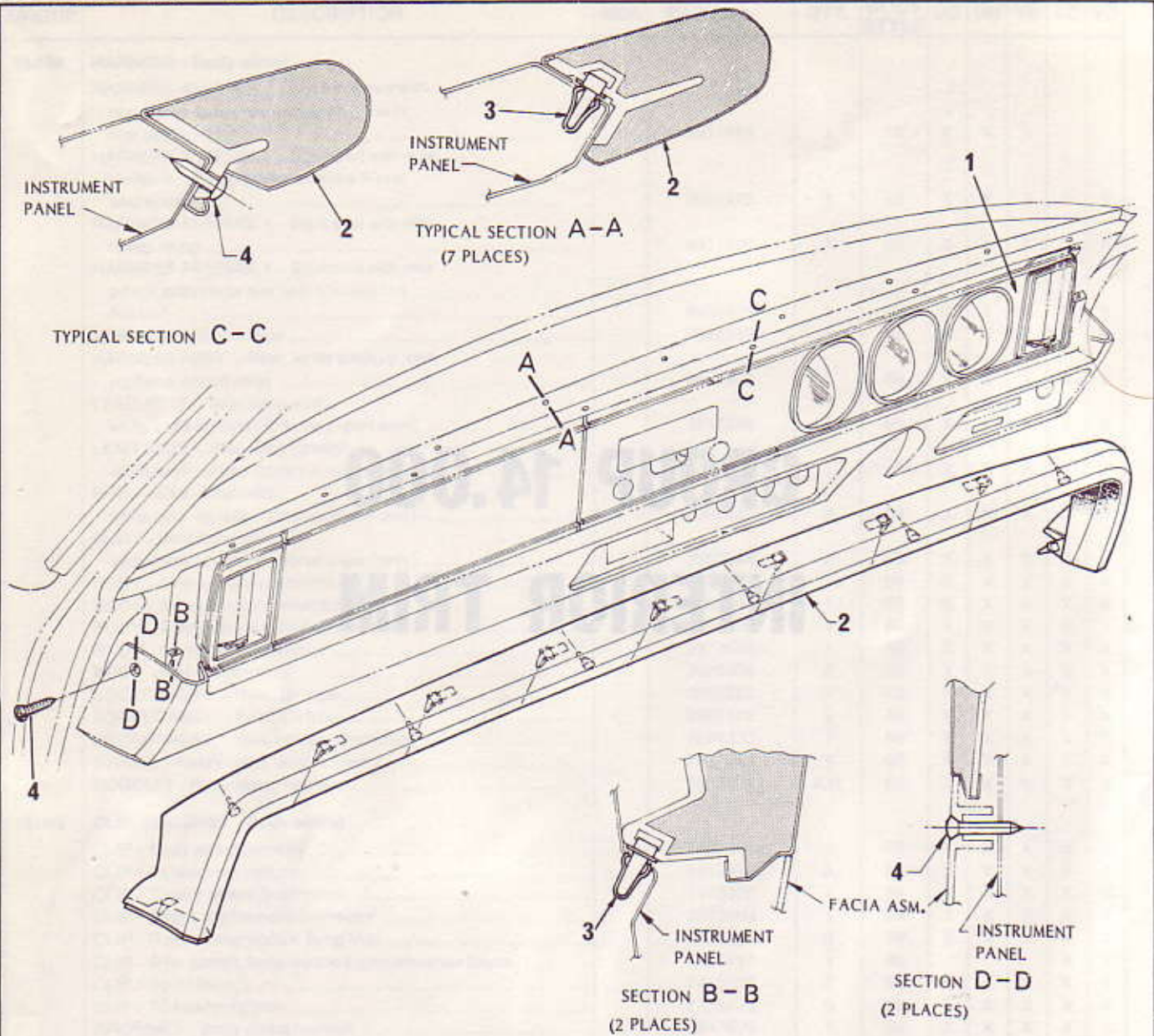
HOLDEN "LH" PARTS CATALOGUE

GROUP	DESCRIPTION	SIDE	PART No.	QTY.	BODY STYLE	UG	UH	VB	VC	VD
13.090	HARNES - Body wiring									
	HARNES ASSEMBLY - Not equipped with rear comp. lamp, rear power antenna or rear seat speaker		9931989	1	69	X	X	X		
	HARNES ASSEMBLY - Equipped with rear comp. lamp, rear power antenna & rear seat speaker		9934420	1	69	X	X	X	X	X
	HARNES ASSEMBLY - Equipped with rear comp. lamp		9931990	1	69	X	X	X	X	X
	HARNES ASSEMBLY - Equipped with rear power antenna or rear seat speaker but not both		9934419	1	69	X	X	X	X	X
	HARNES ASSY. - Rear		2824349	1	69	X	X	X	X	X
	HARNES ASSY. - Rear, white back up lens, (optional export only)		2824350	1	69	X	X	X	X	X
	LEAD ASSY. - Stop lamp (red) white back up lens (optional export only)		2817866	1	69	X	X	X	X	X
	LEAD ASSY. - Stop lamp (green) white back up lens (optional export only)		2817867	1	69	X	X	X	X	X
	BODY - Stop lamp lead, white back up lens (optional export only)		2962448	2	69	X	X	X	X	X
	BODY - Stop lamp lead, white back up lens (optional export only)		2962984	2	69	X	X	X	X	X
	BODY - 11 way male connector		9928643	1	69	X	X	X	X	X
	BODY - 3 way female connector		2962449	1	69	X	X	X	X	X
	BODY - 4 way female terminal connector		2962969	1	69	X	X	X	X	X
	BODY - 4 way male connector		2973603	1	69	X	X	X	X	X
	BODY - Rear harness		2823808	2	69	X	X	X	X	X
	SOCKET ASSY. - Rear, B1 type		2823821	2	69	X	X	X	X	X
	SOCKET ASSY. - Rear, C2 type		8905102	2	69	X	X	X	X	X
	SOCKET ASSY. - Rear compt. lamp lead		2824332	1	69	X	X	X	X	X
	SPRING - Rear compt. lamp socket		2962243	1	69	X	X	X	X	X
CONDUIT - Body wiring harness		9933514	A.R.	69	X	X	X	X	X	
13.092	CLIP, GROMMET - Body wiring									
	CLIP - Body wiring harness		7432906	1	69	X	X	X	X	X
	CLIP - To rear floor pan		7413032	3	69	X	X	X	X	X
	CLIP - To rear wheelhouse panel		7413032	1	69	X	X	X	X	X
	CLIP - Rear body harness connector		2973390	1	69	X	X	X	X	X
	CLIP - Dome & rear compt. lamp lead		SP2369	2	69	X	X	X	X	X
	CLIP - Rear compt. lamp lead to shock absorber brace		7426417	1	69				X	X
	CLIP - To tail lamp		7413032	2	69	X	X	X	X	X
	CLIP - To rear end panel		7175429	3	69	X	X	X	X	X
	GROMMET - Body wiring harness		2817008	1	69	X	X	X	X	X



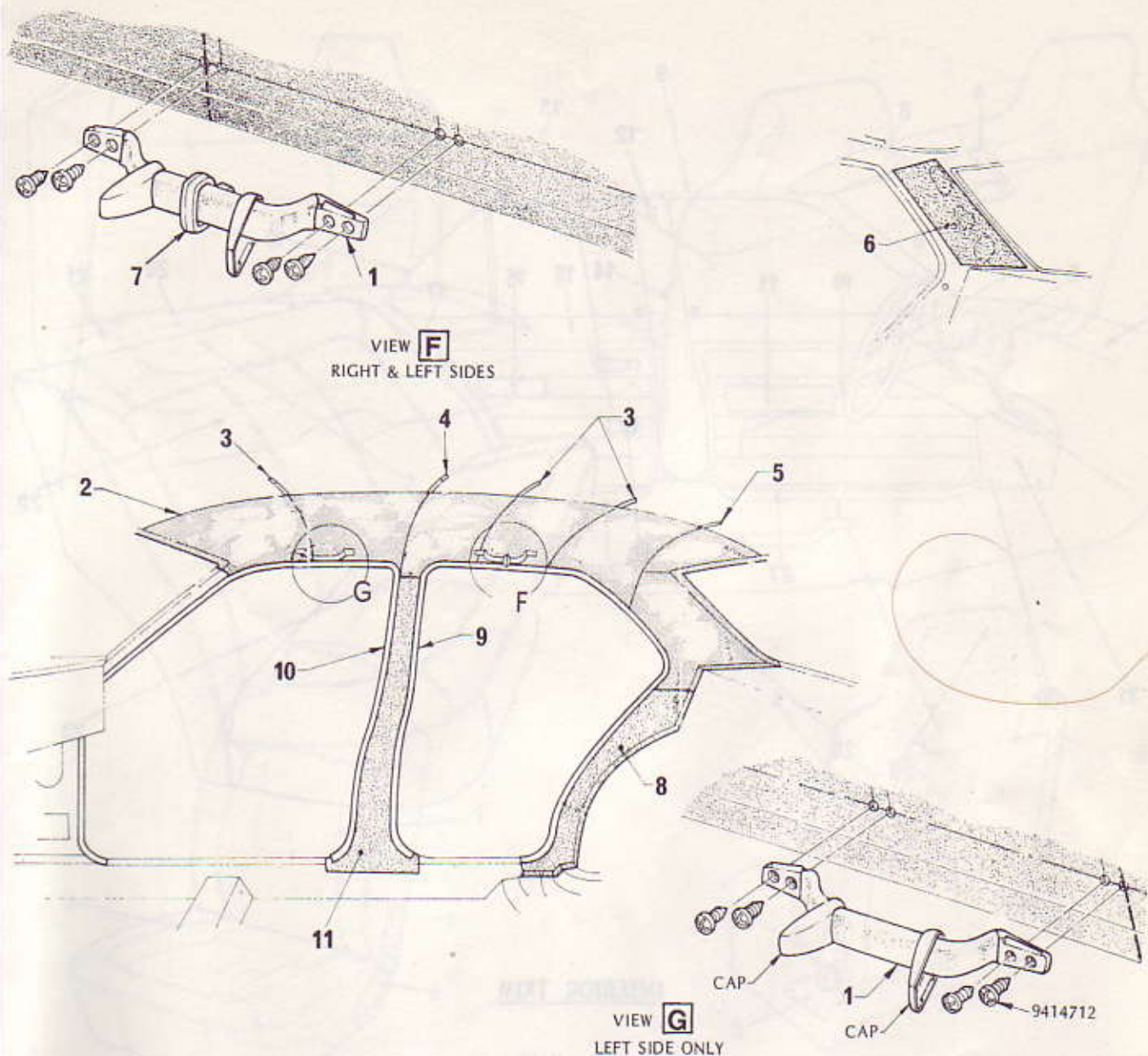
GROUP 14.000

INTERIOR TRIM



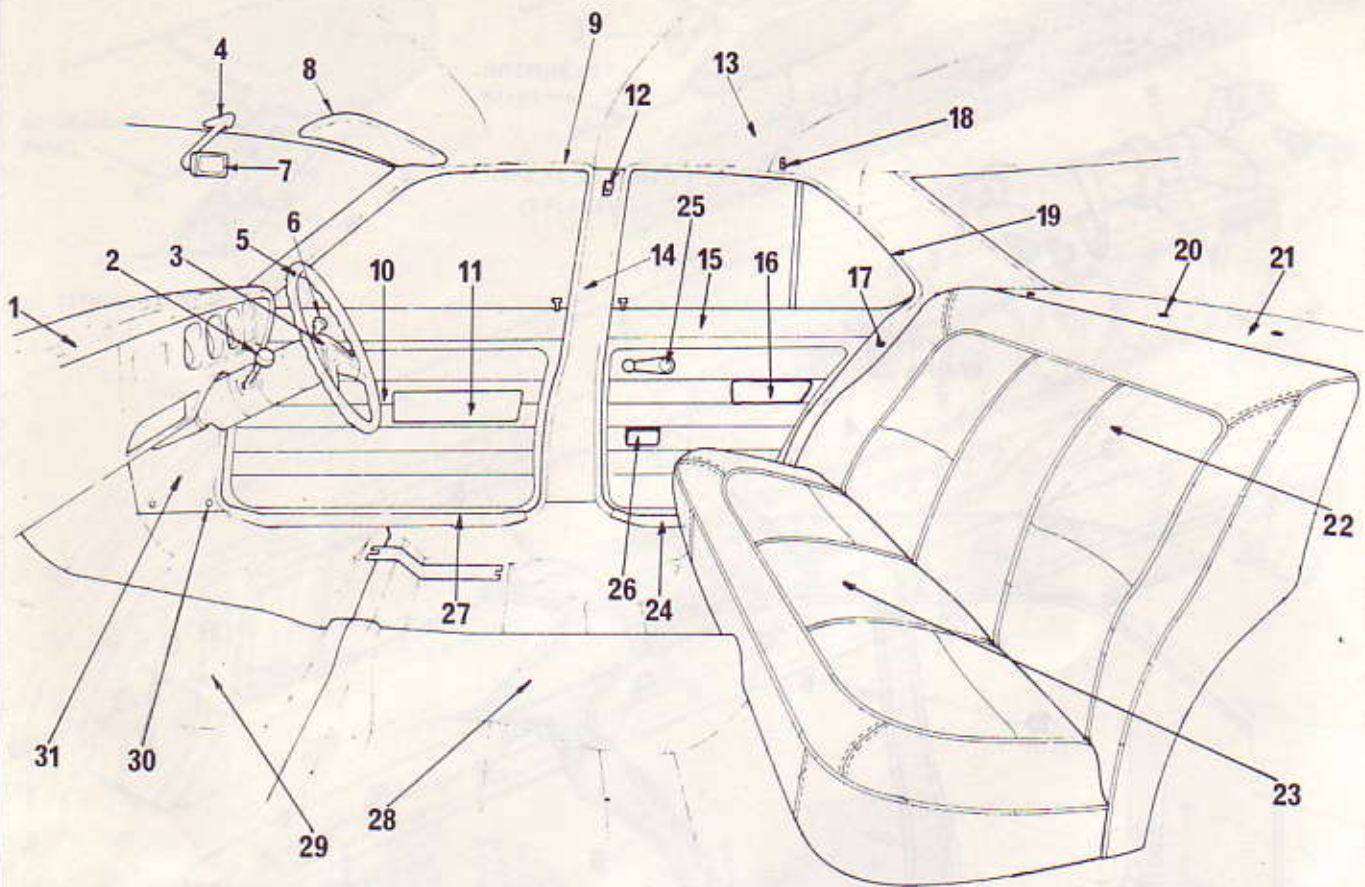
INSTRUMENT PANEL PAD

ILLUS. REF. NO.	PART NAME	GROUP	ILLUS. REF. NO.	PART NAME	GROUP
1.	PANEL ASSEMBLY - Instrument	10,230	3.	CLIP - Pad to instrument panel	14,655
2.	PAD ASSEMBLY - Instrument panel	14,655	4.	SCREW - Pan hd. No.10 - 16 x 3/4"	14,655



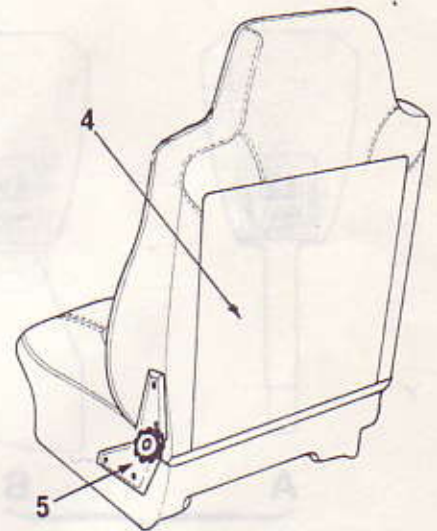
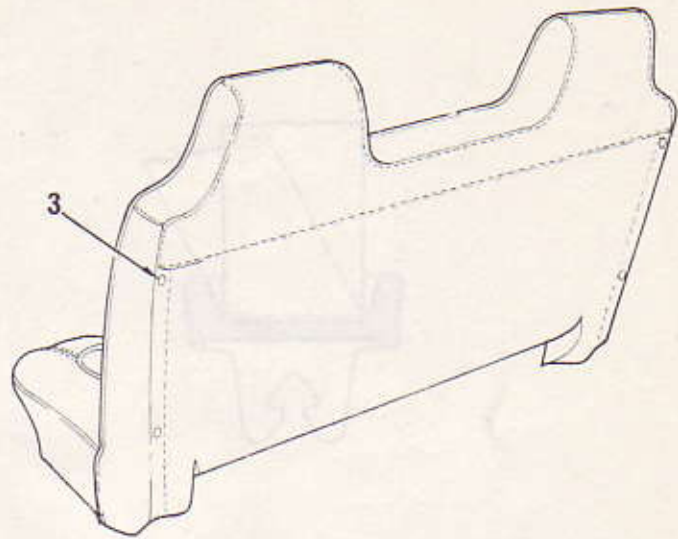
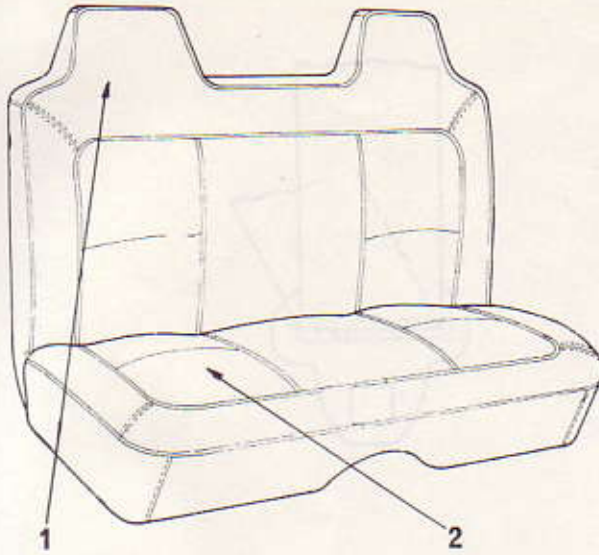
HEADLINING and ASSIST GRIP HANDLE

ILLUS. REF. NO.	PART NAME	GROUP	ILLUS. REF. NO.	PART NAME	GROUP
1.	HANDLE - Assist grip	15.390	7.	HOOK - Coat	14.651
2.	HEADLINING ASSEMBLY	14.640	8.	TRIM - Rear quarter lower	15.100
3.	WIRE - Nos. 1, 3 & 4	12.955	9.	WINDLACE - Rear door opening	15.520
4.	WIRE - No. 2	12.955	10.	WINDLACE - Front door opening	15.520
5.	WIRE - No. 5	12.955	11.	TRIM - Centre pillar	14.730
6.	PAD - Rear quarter upper	15.103			



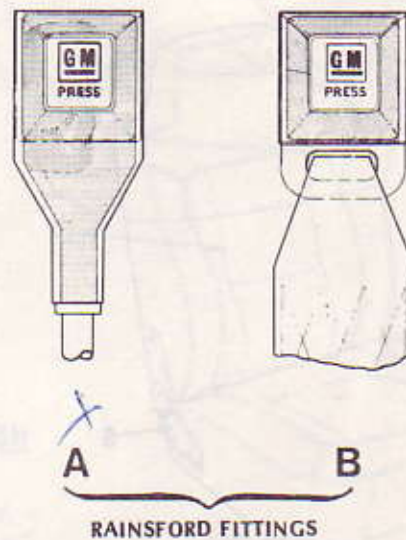
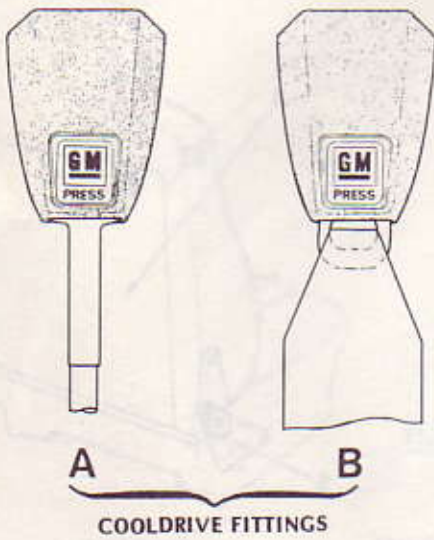
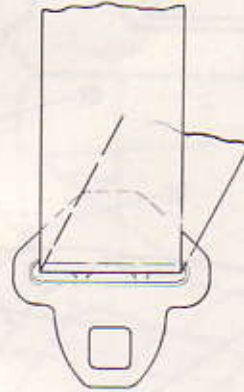
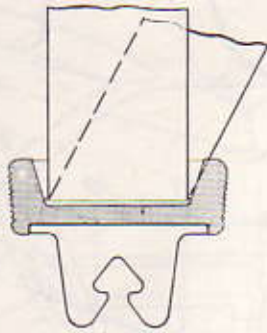
INTERIOR TRIM

ILLUS. REF. NO.	PART NAME	GROUP	ILLUS. REF. NO.	PART NAME	GROUP
1.	PAD ASSY. - Instrument panel	14.655	17.	TRIM - Rear quarter lower	15.100
2.	KNOB - Gearshift control lever	4.009	18.	HOOK - Coat	14.651
3.	BAR ASSY. - Horn actuating	2.830	19.	WINDLACE - Rear door opening	15.520
4.	SUPPORT ASSY. - Interior	10.187	20.	FASTENER - Package tray trim	15.024
5.	WHEEL ASSY. - Steering	6.513	21.	TRIM ASSY. - Package tray	15.024
6.	KNOB - Turn signal lamp switch	2.897	22.	COVER ASSY. - Rear seat back	15.000
7.	MIRROR ASSY. - Interior	10.185	23.	COVER ASSY. - Rear seat cushion	15.035
8.	SUN VISOR ASSEMBLY	10.203	24.	PLATE - Rear door scuff	11.179
9.	WINDLACE - Front door opening	15.520	25.	HANDLE ASSY.	10.797
10.	TRIM ASSY. - Front door	14.685	26.	ASH TRAY ASSY. - Rear door	12.030
11.	ARM REST ASSY. - Front door	14.686	27.	PLATE - Front door scuff	11.175
12.	HOOK - Seat belt stowage	14.799	28.	MAT/CARPET - Rear floor	15.306
13.	HEADLINING ASSEMBLY	14.640	29.	MAT/CARPET - Front floor	15.286
14.	TRIM - Centre pillar	14.730	30.	FASTENER - Cowl side panel lower trim	14.630
15.	TRIM ASSY. - Rear door	14.760	31.	TRIM ASSY. - Cowl side panel lower	14.630
16.	ARM REST ASSY. - Rear door	14.762			



FRONT SEAT ASSEMBLY

ILLUS. REF. NO.	PART NAME	GROUP	ILLUS. REF. NO.	PART NAME	GROUP
1.	COVER ASSY. — Front seat back	14.800	4.	TRIM ASSY. — Front seat back rear	14.803
2.	COVER ASSY. — Front seat cushion	14.880	5.	RECLINER ASSY.	11.388
3.	FASTENER — Front seat back cover	14.800	6.	ARM ASSEMBLY	11.392

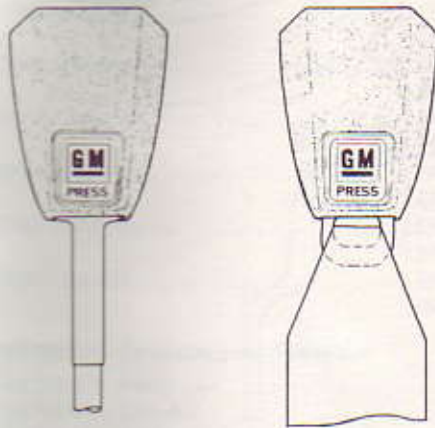
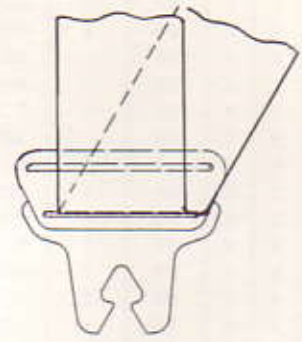
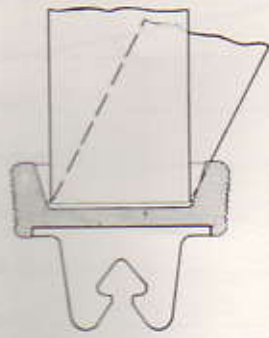


SEAT BELT IDENTIFICATION

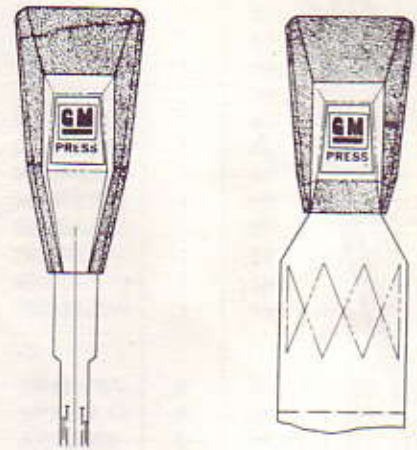
USED PRIOR TO JANUARY, 1975

NOTE: (A) FRONT SEAT RETRACTABLE BELTS, REFER GROUP 14.798

(B) REAR SEAT BELTS, REFER GROUP 15.040



A B
COOLDRIVE FITTINGS



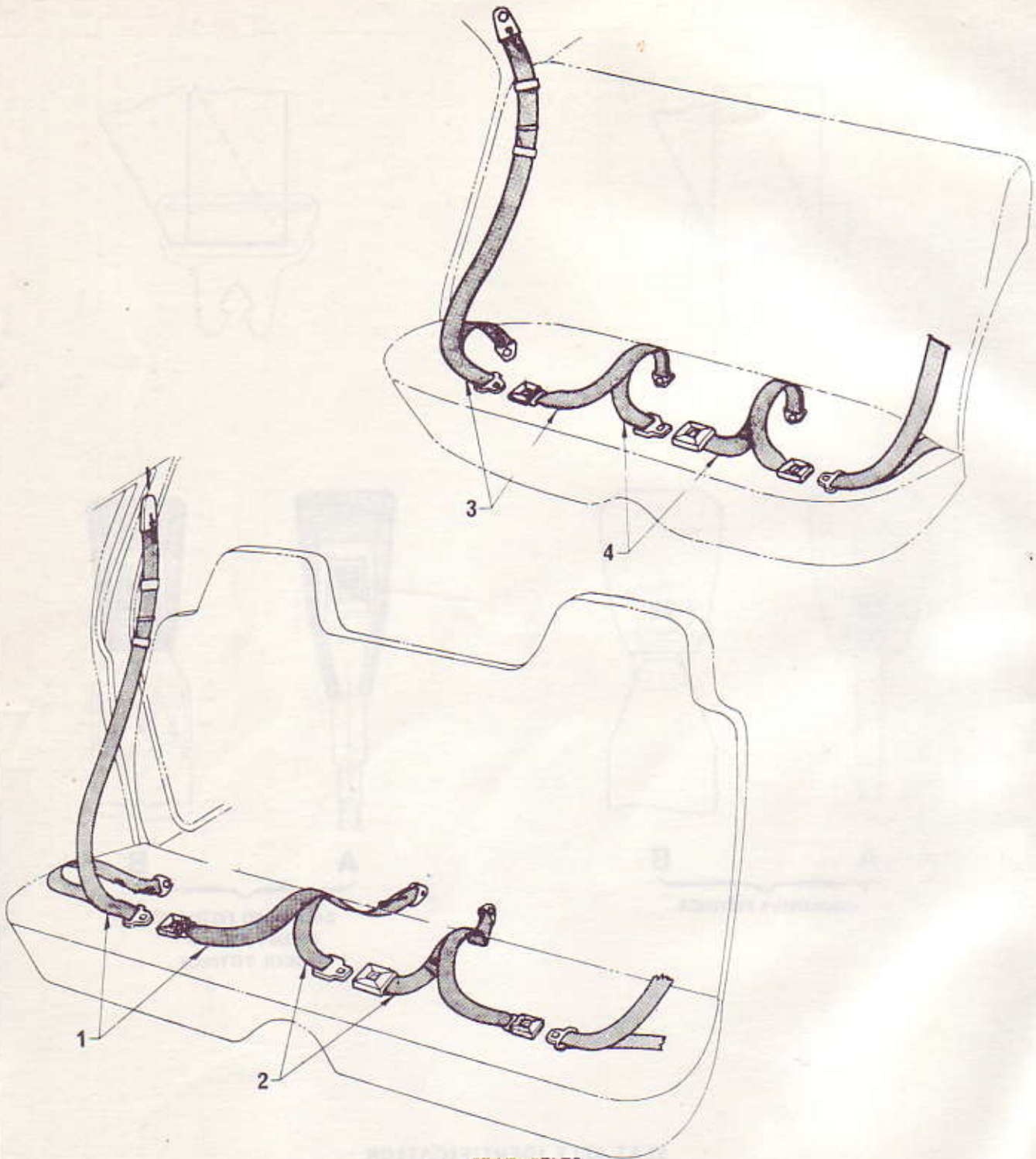
A B
RAINSFORD FITTINGS
ESSEM FITTINGS
KANGOL FITTINGS

SEAT BELT IDENTIFICATION

USE FROM JANUARY 1ST. 1975 (A.D.R.4C)

NOTE: (A) FRONT SEAT RETRACTABLE BELTS, REFER GROUP 14.798

(B) REAR SEAT BELTS, REFER GROUP 15.040



SEAT BELTS

ILLUS. REF. NO.	PART NAME	GROUP
1.	BELT - Front lap & sash	14.798
2.	BELT - Front centre lap	14.798
3.	BELT - Rear lap & sash	15.040
4.	BELT - Rear centre lap	15.040

HOLDEN "LH" PARTS CATALOGUE

GROUP	DESCRIPTION	SIDE	PART No.	QTY.	BODY STYLE	UG	UH	VB	VC	VD
14.630	TRIM - Cowl side panel lower									
	TRIM - Dark Ash RIGHT HAND DRIVE	LH	2825781DD	1	69	X	X	X	X	X
 RIGHT HAND DRIVE	RH	2825782DD	1	69	X	X	X	X	X
	TRIM - Black RIGHT HAND DRIVE	LH	2825781BA	1	69	X	X	X	X	X
 RIGHT HAND DRIVE	RH	2825782BA	1	69	X	X	X	X	X
	TRIM - Juniper RIGHT HAND DRIVE	LH	2825781DE	1	69	X	X	X	X	
 RIGHT HAND DRIVE	RH	2825782DE	1	69	X	X	X	X	
	TRIM - Chestnut RIGHT HAND DRIVE	LH	2825781DG	1	69	X	X	X	X	X
 RIGHT HAND DRIVE	RH	2825782DG	1	69	X	X	X	X	X
	TRIM - Dove Grey RIGHT HAND DRIVE	LH	2825781DR	1	69	X	X	X	X	X
 RIGHT HAND DRIVE	RH	2825782DR	1	69	X	X	X	X	X
	TRIM - Jade RIGHT HAND DRIVE	LH	2825781DU	1	69	X	X	X	X	X
 RIGHT HAND DRIVE	RH	2825782DU	1	69	X	X	X	X	X
	TRIM - Chamois RIGHT HAND DRIVE	LH	2825781DV	1	69	X	X	X	X	X
 RIGHT HAND DRIVE	RH	2825782DV	1	69	X	X	X	X	X
	TRIM - Gazelle RIGHT HAND DRIVE	LH	2825781DW	1	69	X	X	X	X	X
 RIGHT HAND DRIVE	RH	2825782DW	1	69	X	X	X	X	X
	TRIM - Dark Ash LEFT HAND DRIVE	LH	9933543DD	1	69	X	X	X	X	
 LEFT HAND DRIVE	RH	2825782DD	1	69	X	X	X	X	
	TRIM - Black LEFT HAND DRIVE	LH	9933543BA	1	69	X	X	X	X	
 LEFT HAND DRIVE	RH	2825782BA	1	69	X	X	X	X	
	TRIM - Juniper LEFT HAND DRIVE	LH	9933543DE	1	69	X	X	X	X	
 LEFT HAND DRIVE	RH	2825782DE	1	69	X	X	X	X	
	TRIM - Chestnut LEFT HAND DRIVE	LH	9933543DG	1	69	X	X	X	X	
 LEFT HAND DRIVE	RH	2825782DG	1	69	X	X	X	X	
	TRIM - Dove Grey LEFT HAND DRIVE	LH	9933543DR	1	69	X	X	X	X	
 LEFT HAND DRIVE	RH	2825782DR	1	69	X	X	X	X	
	TRIM - Jade LEFT HAND DRIVE	LH	9933543DU	1	69	X	X	X	X	
 LEFT HAND DRIVE	RH	2825782DU	1	69	X	X	X	X	
	TRIM - Chamois LEFT HAND DRIVE	LH	9933543DV	1	69	X	X	X	X	
 LEFT HAND DRIVE	RH	2825782DV	1	69	X	X	X	X	
	TRIM - Gazelle LEFT HAND DRIVE	LH	9933543DW	1	69	X	X	X	X	
 LEFT HAND DRIVE	RH	2825782DW	1	69	X	X	X	X	
14.630	FASTENER - Cowl side panel lower trim									
	FASTENER - Black SP1838BA			6	69	X	X	X	X	X
	FASTENER - Dark Ash SP1838DD			6	69	X	X	X	X	X
	FASTENER - Juniper SP1838DE			6	69	X	X	X	X	
	FASTENER - Chestnut SP1838DG			6	69	X	X	X	X	X
	FASTENER - Dove Grey SP1838DR			6	69	X	X	X	X	X
	FASTENER - Jade SP1838DU			6	69	X	X	X	X	X
	FASTENER - Chamois SP1838DV			6	69	X	X	X	X	X
	FASTENER - Gazelle SP1838DW			6	69	X	X	X	X	X
14.640	HEADLINING									
	HEADLINING ASSEMBLY - Black 9931722BA			1	69	X	X	X	X	X
	HEADLINING ASSEMBLY - Ash 9931722DC			1	69	X	X	X	X	X
	HEADLINING ASSEMBLY - Doeskin 9931722DF			1	69	X	X	X	X	X
	HEADLINING ASSEMBLY - Juniper 9931722DE			1	69	X	X	X	X	
	HEADLINING ASSEMBLY - Chestnut 9931722DG			1	69	X	X	X	X	X
	HEADLINING ASSEMBLY - Dove Grey 9931722DR			1	69	X	X	X	X	X
	HEADLINING ASSEMBLY - Jade 9931722DU			1	69	X	X	X	X	X
	HEADLINING ASSEMBLY - Chamois 9931722DV			1	69	X	X	X	X	X
	HEADLINING ASSEMBLY - Gazelle 9931722DW			1	69	X	X	X	X	X
14.651	HOOK - Coat (Not used with assist handles)									
	HOOK - Ash 9928929DC			2	69	X		X		
	HOOK - Black 9928929BA			2	69	X		X		
	HOOK - Doeskin 9928929DF			2	69	X		X		
	HOOK - Juniper 9928929DE			2	69	X		X		
	HOOK - Chestnut 9928929DG			2	69	X		X		
	HOOK - Dove Grey 9928929DR			2	69	X		X		
	HOOK - Jade 9928929DU			2	69	X		X		
	HOOK - Chamois 9928929DV			2	69	X		X		
	HOOK - Gazelle 9928929DW			2	69	X		X		

HOLDEN "LH" PARTS CATALOGUE

GROUP	DESCRIPTION	SIDE	PART No.	QTY.	BODY STYLE	UG	UH	VB	VC	VD
14.651	HOOK - Coat (Used with assist handles)									
	HOOK		9932980	2	69		X		X	X
14.655	PAD - Instrument panel									
	PAD ASSEMBLY - Dark Ash		2825009DD	1	69		X		X	
	PAD ASSEMBLY - Black		2825009CY	1	69	X	X	X	X	X
	PAD ASSEMBLY - Chestnut		2825009DG	1	69		X		X	X
	PAD ASSEMBLY - Dark Grey		2825009DS	1	69		X		X	X
	PAD ASSEMBLY - Tan		2825009DX	1	69		X		X	X
	CLIP - Pad to instrument panel		7377884	9	69	X	X	X	X	X
	SCREW - Pan hd. No. 10 - 16 x 3/4" - Pad to panel		9421151	6	69	X	X	X	X	X
14.685	TRIM - Front door									
	TRIM Nos. 12V	LH	9931477DC	1	69	X		X		
		RH	9931478DC	1	69	X		X		
	TRIM Nos. 14V	LH	9931477DR	1	69	X		X		
		RH	9931478DR	1	69	X		X		
	TRIM Nos. 18V	LH	9931477DT	1	69	X		X		
		RH	9931478DT	1	69	X		X		
	TRIM Nos. 19V	LH	9931477CY	1	69	X		X		
		RH	9931478CY	1	69	X		X		
	TRIM Nos. 45V	LH	9931477DU	1	69	X		X		
		RH	9931478DU	1	69	X		X		
	TRIM Nos. 46V	LH	9931477DE	1	69	X		X		
		RH	9931478DE	1	69	X		X		
	TRIM Nos. 60V	LH	9931477DV	1	69	X		X		
		RH	9931478DV	1	69	X		X		
	TRIM Nos. 62V	LH	9931477DF	1	69	X		X		
		RH	9931478DF	1	69	X		X		
	TRIM Nos. 64V	LH	9931477DW	1	69	X		X		
		RH	9931478DW	1	69	X		X		
	TRIM Nos. 66V	LH	9931477DG	1	69	X		X		
		RH	9931478DG	1	69	X		X		
	TRIM Nos. 12V	LH	9929125DC	1	69		X		X	
		RH	9929124DC	1	69		X		X	
	TRIM Nos. 14V, 14X	LH	9929125DR	1	69		X		X	
		RH	9929124DR	1	69		X		X	
	TRIM Nos. 18V, 18X	LH	9929125DT	1	69		X		X	
		RH	9929124DT	1	69		X		X	
	TRIM Nos. 19V, 19X	LH	9929125CY	1	69		X		X	
		RH	9929124CY	1	69		X		X	
	TRIM Nos. 45V, 45X	LH	9929125DU	1	69		X		X	
		RH	9929124DU	1	69		X		X	
	TRIM Nos. 46V, 46X	LH	9929125DE	1	69		X		X	
		RH	9929124DE	1	69		X		X	
	TRIM Nos. 60V, 60X	LH	9929125DV	1	69		X		X	
		RH	9929124DV	1	69		X		X	
	TRIM Nos. 62V, 62X, 63V, 63X	LH	9929125DF	1	69		X		X	
		RH	9929124DF	1	69		X		X	
	TRIM Nos. 64V, 64X	LH	9929125DW	1	69		X		X	
		RH	9929124DW	1	69		X		X	
	TRIM Nos. 66V, 66X	LH	9929125DG	1	69		X		X	
		RH	9929124DG	1	69		X		X	
	TRIM Nos. 12V, 12X	LH	9929923DC	1	69					X
		RH	9929924DC	1	69					X
	TRIM Nos. 14V, 14X	LH	9929923DR	1	69					X
		RH	9929924DR	1	69					X
	TRIM Nos. 18V, 18X	LH	9929923DT	1	69					X
		RH	9929924DT	1	69					X
	TRIM Nos. 19V, 19X	LH	9929923CY	1	69					X
		RH	9929924CY	1	69					X
	TRIM Nos. 45V, 45X	LH	9929923DU	1	69					X
		RH	9929924DU	1	69					X
	TRIM Nos. 60V, 60X	LH	9929923DV	1	69					X
		RH	9929924DV	1	69					X

BODY

HOLDEN "LH" PARTS CATALOGUE

GROUP	DESCRIPTION	SIDE	PART No.	QTY.	BODY STYLE	UG	UH	VB	VC	VD
14.685	TRIM - Front door (contd.)									
	TRIM Nos. 62V, 62X	LH	9929923DF	1	69					X
		RH	9929924DF	1	69					X
	TRIM Nos. 63V, 63X	LH	9929923DP	1	69					X
		RH	9929924DP	1	69					X
	TRIM Nos. 64V, 64X	LH	9929923DW	1	69					X
		RH	9929924DW	1	69					X
	TRIM Nos. 66V, 66X	LH	9929923DG	1	69					X
	RH	9929924DG	1	69					X	
	CLIP - Trim to door		7377884	26	69	X	X	X	X	X
	CAP - Clip sealing		7410830	26	69	X	X	X	X	X
14.686	ARM REST - Front door									
	TRIM Nos. 12V	(Ash) LH	9932131DC	1	69	X	X	X	X	X
		RH	9932130DC	1	69	X	X	X	X	X
	TRIM Nos. 14V, 14X	(Dove Grey) LH	9932131DR	1	69	X	X	X	X	X
		RH	9932130DR	1	69	X	X	X	X	X
	TRIM Nos. 18V, 18X, 19V, 19X	(Black) LH	9932131CY	1	69	X	X	X	X	X
		RH	9932130CY	1	69	X	X	X	X	X
	TRIM Nos. 45V, 45X	(Jade) LH	9932131DU	1	69	X	X	X	X	X
		RH	9932130DU	1	69	X	X	X	X	X
	TRIM Nos. 46V, 46X	(Juniper) LH	9932131DE	1	69	X	X	X	X	X
		RH	9932130DE	1	69	X	X	X	X	X
	TRIM Nos. 60V, 60X	(Chamois) LH	9932131DV	1	69	X	X	X	X	X
		RH	9932130DV	1	69	X	X	X	X	X
	TRIM Nos. 62V, 62X, 63V, 63X	(Doeskin) LH	9932131DF	1	69	X	X	X	X	X
		RH	9932130DF	1	69	X	X	X	X	X
	TRIM Nos. 64V, 64X	(Gazelle) LH	9932131DW	1	69	X	X	X	X	X
	RH	9932130DW	1	69	X	X	X	X	X	
TRIM Nos. 66V, 66X	(Chestnut) LH	9932131DG	1	69	X	X	X	X	X	
	RH	9932130DG	1	69	X	X	X	X	X	
14.691	TRIM - Front door garnish									
	TRIM Nos. 12V	LH	9932133DC	1	69		X		X	X
		RH	9932132DC	1	69		X		X	X
	TRIM Nos. 14V, 14X	LH	9932133DR	1	69		X		X	X
		RH	9932132DR	1	69		X		X	X
	TRIM Nos. 18V, 18X	LH	9932133DT	1	69		X		X	X
		RH	9932132DT	1	69		X		X	X
	TRIM Nos. 19V, 19X	LH	9932133CY	1	69		X		X	X
		RH	9932132CY	1	69		X		X	X
	TRIM Nos. 45V, 45X	LH	9932133DU	1	69		X		X	X
		RH	9932132DU	1	69		X		X	X
	TRIM Nos. 46V, 46X	LH	9932133DE	1	69		X		X	X
		RH	9932132DE	1	69		X		X	X
	TRIM Nos. 60V, 60X	LH	9932133DV	1	69		X		X	X
		RH	9932132DV	1	69		X		X	X
	TRIM Nos. 62V, 62X, 63V, 63X	LH	9932133DF	1	69		X		X	X
		RH	9932132DF	1	69		X		X	X
	TRIM Nos. 64V, 64X	LH	9932133DW	1	69		X		X	X
	RH	9932132DW	1	69		X		X	X	
TRIM Nos. 66V, 66X	LH	9932133DG	1	69		X		X	X	
	RH	9932132DG	1	69		X		X	X	
	SCREW - Trim to door		SP2192	2	69		X		X	X
14.694	SEAL - Front door inner panel									
	SEAL - Material 24" x 18"		M36827	A.R.	69	X	X	X	X	X
14.730	TRIM - Centre pillar									
	TRIM Nos. 12V, 12X	LH	E681DC	1	69		X	X	X	X
		RH	E682DC	1	69		X	X	X	X
	TRIM Nos. 14V, 14X	LH	E681DR	1	69		X	X	X	X
		RH	E682DR	1	69		X	X	X	X
	TRIM Nos. 18V, 18X	LH	E681DT	1	69		X	X	X	X
	RH	E682DT	1	69		X	X	X	X	

HOLDEN "LH" PARTS CATALOGUE

GROUP	DESCRIPTION	SIDE	PART No.	QTY.	BODY STYLE	UG	UH	VB	VC	VD	
14.730	TRIM - Centre pillar (contd.)										
	TRIM Nos. 19V, 19X	LH	E681CY	1	69		X	X	X	X	
		RH	E682CY	1	69		X	X	X	X	
	TRIM Nos. 45V, 45X	LH	E681DU	1	69		X	X	X	X	
		RH	E682DU	1	69		X	X	X	X	
	TRIM Nos. 46V, 46X	LH	E681DE	1	69		X	X	X	X	
		RH	E682DE	1	69		X	X	X	X	
	TRIM Nos. 60V, 60X	LH	E681DV	1	69		X	X	X	X	
		RH	E682DV	1	69		X	X	X	X	
	TRIM Nos. 62V, 62X, 63V, 63X	LH	E681DF	1	69		X	X	X	X	
		RH	E682DF	1	69		X	X	X	X	
	TRIM Nos. 64V, 64X	LH	E681DW	1	69		X	X	X	X	
		RH	E682DW	1	69		X	X	X	X	
	TRIM Nos. 66V, 66X	LH	E681DG	1	69		X	X	X	X	
	RH	E682DG	1	69		X	X	X	X		
14.760	TRIM - Rear door										
	TRIM Nos. 12V	LH	9931525DC	1	69	X		X			
		RH	9931524DC	1	69	X		X			
	TRIM Nos. 14V	LH	9931525DR	1	69	X		X			
		RH	9931524DR	1	69	X		X			
	TRIM Nos. 18V	LH	9931525DT	1	69	X		X			
		RH	9931524DT	1	69	X		X			
	TRIM Nos. 19V	LH	9931525CY	1	69	X		X			
		RH	9931524CY	1	69	X		X			
	TRIM Nos. 45V	LH	9931525DU	1	69	X		X			
		RH	9931524DU	1	69	X		X			
	TRIM Nos. 46V	LH	9931525DE	1	69	X		X			
		RH	9931524DE	1	69	X		X			
	TRIM Nos. 60V	LH	9931525DV	1	69	X		X			
		RH	9931524DV	1	69	X		X			
	TRIM Nos. 62V	LH	9931525DF	1	69	X		X			
		RH	9931524DF	1	69	X		X			
	TRIM Nos. 64V	LH	9931525DW	1	69	X		X			
		RH	9931524DW	1	69	X		X			
	TRIM Nos. 66V	LH	9931525DG	1	69	X		X			
		RH	9931524DG	1	69	X		X			
	TRIM Nos. 12V	LH	9929115DC	1	69		X			X	
		RH	9929114DC	1	69		X			X	
	TRIM Nos. 14V, 14X	LH	9929115DR	1	69		X			X	
		RH	9929114DR	1	69		X			X	
	TRIM Nos. 18V, 18X	LH	9929115DT	1	69		X			X	
		RH	9929114DT	1	69		X			X	
	TRIM Nos. 19V, 19X	LH	9929115CY	1	69		X			X	
		RH	9929114CY	1	69		X			X	
	TRIM Nos. 45V, 45X	LH	9929115DU	1	69		X			X	
		RH	9929114DU	1	69		X			X	
	TRIM Nos. 46V, 46X	LH	9929115DE	1	69		X			X	
		RH	9929114DE	1	69		X			X	
	TRIM Nos. 60V, 60X	LH	9929115DV	1	69		X			X	
		RH	9929114DV	1	69		X			X	
	TRIM Nos. 62V, 62X, 63V, 63X	LH	9929115DF	1	69		X			X	
		RH	9929114DF	1	69		X			X	
	TRIM Nos. 64V, 64X	LH	9929115DW	1	69		X			X	
		RH	9929114DW	1	69		X			X	
	TRIM Nos. 66V, 66X	LH	9929115DG	1	69		X			X	
		RH	9929114DG	1	69		X			X	
	TRIM Nos. 12V, 12X	LH	9929919DC	1	69						X
	RH	9929920DC	1	69						X	
TRIM Nos. 14V, 14X	LH	9929919DR	1	69						X	
	RH	9929920DR	1	69						X	
TRIM Nos. 18V, 18X	LH	9929919DT	1	69						X	
	RH	9929920DT	1	69						X	
TRIM Nos. 19V, 19X	LH	9929919CY	1	69						X	
	RH	9929920CY	1	69						X	

BODY

HOLDEN "LH" PARTS CATALOGUE

GROUP	DESCRIPTION	SIDE	PART No.	QTY.	BODY STYLE	UG	UH	VB	VC	VD
14.760	TRIM - Rear door (contd.)									
	TRIM Nos. 45V, 45X	LH	9929919DU	1	69					X
		RH	9929920DU	1	69					X
	TRIM Nos. 60V, 60X	LH	9929919DV	1	69					X
		RH	9929920DV	1	69					X
	TRIM Nos. 62V, 62X	LH	9929919DF	1	69					X
		RH	9929920DF	1	69					X
	TRIM Nos. 63V, 63X	LH	9929919DP	1	69					X
		RH	9929920DP	1	69					X
	TRIM Nos. 64V, 64X	LH	9929919DW	1	69					X
		RH	9929920DW	1	69					X
	TRIM Nos. 66V, 66X	LH	9929919DG	1	69					X
		RH	9929920DG	1	69					X
		CLIP - Trim to door		7377884	20	69	X	X	X	X
	CAP - Clip sealing		7410830	20	69	X	X	X	X	X
14.762	ARM REST - Rear door									
	TRIM Nos. 12V	(Ash) LH	2825143DC	1	69		X	X	X	X
		RH	2825142DC	1	69		X	X	X	X
	TRIM Nos. 14V, 14X	(Dove Grey) LH	2825143DR	1	69		X	X	X	X
		RH	2825142DR	1	69		X	X	X	X
	TRIM Nos. 18V, 18X, 19V, 19X	(Black) LH	2825143CY	1	69		X	X	X	X
		RH	2825142CY	1	69		X	X	X	X
	TRIM Nos. 45V, 45X	(Jade) LH	2825143DU	1	69		X	X	X	X
		RH	2825142DU	1	69		X	X	X	X
	TRIM Nos. 46V, 46X	(Juniper) LH	2825143DE	1	69		X	X	X	X
		RH	2825142DE	1	69		X	X	X	X
	TRIM Nos. 60V, 60X	(Chamois) LH	2825143DV	1	69		X	X	X	X
		RH	2825142DV	1	69		X	X	X	X
	TRIM Nos. 62V, 62X, 63V, 63X	(Doeskin) LH	2825143DF	1	69		X	X	X	X
		RH	2825142DF	1	69		X	X	X	X
	TRIM Nos. 64V, 64X	(Gazelle) LH	2825143DW	1	69		X	X	X	X
		RH	2825142DW	1	69		X	X	X	X
	TRIM Nos. 66V, 66X	(Chestnut) LH	2825143DG	1	69		X	X	X	X
	RH	2825142DG	1	69		X	X	X	X	
14.764	TRIM - Rear door garnish									
	TRIM Nos. 12V	LH	9932135DC	1	69		X		X	X
		RH	9932134DC	1	69		X		X	X
	TRIM Nos. 14V, 14X	LH	9932135DR	1	69		X		X	X
		RH	9932134DR	1	69		X		X	X
	TRIM Nos. 18V, 18X	LH	9932135DT	1	69		X		X	X
		RH	9932134DT	1	69		X		X	X
	TRIM Nos. 19V, 19X	LH	9932135CY	1	69		X		X	X
		RH	9932134CY	1	69		X		X	X
	TRIM Nos. 45V, 45X	LH	9932135DU	1	69		X		X	X
		RH	9932134DU	1	69		X		X	X
	TRIM Nos. 46V, 46X	LH	9932135DE	1	69		X		X	X
		RH	9932134DE	1	69		X		X	X
	TRIM Nos. 60V, 60X	LH	9932135DV	1	69		X		X	X
		RH	9932134DV	1	69		X		X	X
	TRIM Nos. 62V, 62X, 63V, 63X	LH	9932135DF	1	69		X		X	X
		RH	9932134DF	1	69		X		X	X
	TRIM Nos. 64V, 64X	LH	9932135DW	1	69		X		X	X
		RH	9932134DW	1	69		X		X	X
	TRIM Nos. 66V, 66X	LH	9932135DG	1	69		X		X	X
	RH	9932134DG	1	69		X		X	X	
	SCREW - Trim to door		SP2192	2	69		X		X	X
14.768	SEAL - Rear door inner panel									
	SEAL - Material 24" x 18"		M36827	A.R.	69	X	X	X	X	X

HOLDEN "LH" PARTS CATALOGUE

GROUP	DESCRIPTION	SIDE	PART No.	QTY.	BODY STYLE	UG	UH	VB	VC	VD
14.796	FRONT SEAT Current production front seat assemblies will be supplied in current production trim on a firm order basis.									
14.798	BELT - Front bucket seat - Lap & shoulder (Rainsford)									
	BELT ASSEMBLY(Dark Ash)	LH	(*0 9931165DD	1	69		X		X	
		RH	(*0 9931166DD	1	69		X		X	
	BELT ASSEMBLY(Black)	LH	(*0 9931165BA	1	69	X	X	X	X	X
		RH	(*0 9931166BA	1	69	X	X	X	X	X
	BELT ASSEMBLY(Chestnut)	LH	(*0 9931165DG	1	69		X		X	X
		RH	(*0 9931166DG	1	69		X		X	X
	BOLT - Belt attaching		9929664	6	69	X	X	X	X	X
	SPACER - Pillar upper attaching (.36" Thick)		9932904	2	69	X	X	X	X	X
	SPACER - Lower attaching (.42" Thick)		9929668	2	69	X	X	X	X	X
	WASHER - Seat belt mounting		SP2204	2	69	X	X	X	X	X
14.798	BELT - Front bucket seat - Lap & shoulder (Cooldrive)									
	BELT ASSEMBLY(Black)	LH	(*0 9938795	1	69	X	X	X	X	X
		RH	(*0 9938794	1	69	X	X	X	X	X
	BOLT - Belt attaching		9929664	6	69	X	X	X	X	X
	SPACER - Pillar upper attaching (.36" thick)		9932904	2	69	X	X	X	X	X
	SPACER - Lower attaching (.42" thick)		9929668	2	69	X	X	X	X	X
14.798	BELT - Front bucket seat - Retractor Type (Rainsford)									
	BELT ASSEMBLY(Dark Ash)	LH	(*0 9931171DD	1	69		X		X	
		RH	(*0 9931172DD	1	69		X		X	
	BELT ASSEMBLY(Black)	LH	(*0 9931171BA	1	69	X	X	X	X	X
		RH	(*0 9931172BA	1	69	X	X	X	X	X
	BELT ASSEMBLY(Chestnut)	LH	(*0 9931171DG	1	69		X		X	X
		RH	(*0 9931172DG	1	69		X		X	X
	BELT ASSEMBLY(Black)	LH	(*1 9938615	1	69	X	X	X	X	X
		RH	(*1 9938616	1	69	X	X	X	X	X
	BRACKET - Retractor mounting		9928762	2	69	X	X	X	X	X
	BOLT - Belt to pillar		9929664	2	69	X	X	X	X	X
	WASHER - Belt to pillar bolt		9929606	2	69	X	X	X	X	X
	SPACER - Belt to pillar (.31" Thick)		9929605	2	69	X	X	X	X	X
	BOLT - Retractor, bracket & belt lower attaching		9929664	10	69	X	X	X	X	X
	SPACER - Lower attaching (.42" Thick)		9929668	2	69	X	X	X	X	X
	BOLT - Retractor to pillar & bracket		9930187	4	69	X	X	X	X	X
14.798	BELT - Front bucket seat - Retractor type (Cooldrive)									
	BELT ASSEMBLY(Black)	LH	9938613	1	69	X	X	X	X	X
		RH	9938612	1	69	X	X	X	X	X
	BRACKET - Retractor mounting		9928762	2	69	X	X	X	X	X
	BOLT - Belt to pillar		9930187	2	69	X	X	X	X	X
	WASHER - Belt to pillar bolt		9929606	2	69	X	X	X	X	X
	SPACER - Belt to pillar (.31" thick)		9929605	2	69	X	X	X	X	X
	BOLT - Retractor, bracket & belt lower attaching		9929664	10	69	X	X	X	X	X
	SPACER - Lower attaching (.42" thick)		9929668	2	69	X	X	X	X	X
	BOLT - Retractor to pillar & bracket		9929664	4	69	X	X	X	X	X
14.798	BELT - Front bucket seat - Retractor type (Kangol)									
	BELT ASSEMBLY(Black)	LH	(*1 9939595	1	69	X	X	X	X	X
		RH	(*1 9939596	1	69	X	X	X	X	X
	BRACKET - Retractor mounting		9928762	2	69	X	X	X	X	X
	BOLT - Belt to pillar		9930187	2	69	X	X	X	X	X
	WASHER - Belt to pillar bolt		9929606	2	69	X	X	X	X	X
	SPACER - Belt to pillar (.31" thick)		9929605	2	69	X	X	X	X	X
	BOLT - Retractor, bracket & belt lower attaching		9929664	10	69	X	X	X	X	X
	SPACER - Lower attaching (.42" thick)		9929668	2	69	X	X	X	X	X
	BOLT - Retractor to pillar & bracket		9929664	4	69	X	X	X	X	X
	Note: (*0 Prior to ADR4C. (*1 Use with ADR4C									

HOLDEN "LH" PARTS CATALOGUE

GROUP	DESCRIPTION	SIDE	PART No.	QTY.	BODY STYLE	UG	UH	VB	VC	VD	
14.798	BELT - Front bench seat - Lap & shoulder (Rainsford)										
	BELT ASSEMBLY	(Dark Ash)	(* 9931168DD	2	69		X		X		
	BELT ASSEMBLY	(Black)	(* 9931168BA	2	69	X	X	X	X		
	BELT ASSEMBLY	(Chestnut)	(* 9931168DG	2	69		X		X		
	BOLT - Centre to underbody attaching		9934331	2	69	X	X	X	X		
	BOLT - Side attaching		9929664	4	69	X	X	X	X		
	SPACER - Pillar upper attaching (.36" Thick)		9932904	2	69	X	X	X	X		
SPACER - Lower attaching (.42" Thick)		9929668	6	69	X	X	X	X			
14.798	BELT - Front bench seat - Lap & Shoulder (Cooldrive)										
	BELT ASSEMBLY	(Black)	9938796	2	69	X	X	X	X		
	BOLT - Centre to underbody attaching		9934331	2	69	X	X	X	X		
	BOLT - Side attaching		9929664	4	69	X	X	X	X		
	SPACER - Pillar upper attaching (.36" thick)		9932904	2	69	X	X	X	X		
	SPACER - Lower attaching (.42" thick)		9929668	6	69	X	X	X	X		
14.798	BELT - Front bench seat - Retractor Type (Rainsford)										
	BELT ASSEMBLY	(Dark Ash)	(* 9931173DD	2	69		X		X		
	BELT ASSEMBLY	(Black)	(* 9931173BA	2	69	X	X	X	X		
	BELT ASSEMBLY	(Chestnut)	(* 9931173DG	2	69		X		X		
	BELT ASSEMBLY	(Black)	(* 9938617	2	69	X	X	X	X		
	BRACKET - Retractor mounting		9928762	2	69	X	X	X	X		
	BOLT - Belt to pillar		9929664	2	69	X	X	X	X		
	WASHER - Belt to pillar bolt		9929606	2	69	X	X	X	X		
	SPACER - Belt to pillar (.31" Thick)		9929605	2	69	X	X	X	X		
	BOLT - Retractor, bracket & belt lower side attaching		9929664	8	69	X	X	X	X		
	BOLT - Centre to underbody attaching		9934331	2	69	X	X	X	X		
	SPACER - Lower attaching (.42" Thick)		9929668	6	69	X	X	X	X		
	BOLT - Retractor to pillar & bracket		9930187	4	69	X	X	X	X		
14.798	BELT - Front bench seat - Retractor Type (Cooldrive)										
	BELT ASSEMBLY	(Black)	9938614	2	69	X	X	X	X		
	BRACKET - Retractor mounting		9928762	2	69	X	X	X	X		
	BOLT - Belt to pillar		9930187	2	69	X	X	X	X		
	WASHER - Belt to pillar bolt		9929606	2	69	X	X	X	X		
	SPACER - Belt to pillar (.31" thick)		9929605	2	69	X	X	X	X		
	BOLT - Retractor, bracket & belt lower side		9929664	8	69	X	X	X	X		
	BOLT - Centre to underbody attaching		9934331	2	69	X	X	X	X		
	SPACER - Lower attaching (.42" thick)		9929668	6	69	X	X	X	X		
	BOLT - Retractor to pillar & bracket		9930187	4	69	X	X	X	X		
	14.798	BELT - Front bench seat - Retractor Type (Kangol)									
BELT ASSEMBLY		(Black)	(* 9939593	2	69	X	X	X	X		
BRACKET - Retractor mounting			9928762	2	69	X	X	X	X		
BOLT - Bolt to pillar			9930187	2	69	X	X	X	X		
WASHER - Belt to pillar bolt			9929606	2	69	X	X	X	X		
SPACER - Belt to pillar (.31" thick)			9929605	2	69	X	X	X	X		
BOLT - Retractor, bracket & belt lower side			9929664	8	69	X	X	X	X		
BOLT - Centre to underbody attaching			9934331	2	69	X	X	X	X		
SPACER - Lower attaching (.42" thick)			9929668	6	69	X	X	X	X		
BOLT - Retractor to pillar & bracket		9930187	4	69	X	X	X	X			
14.798	BELT - Front seat - Centre Lap (Rainsford)										
	BELT ASSEMBLY	(Dark Ash)	(* 9931167DD	1	69		X		X		
	BELT ASSEMBLY	(Black)	(* 9931167BA	1	69	X	X	X	X		
	BELT ASSEMBLY	(Chestnut)	(* 9931167DG	1	69		X		X		
14.798	BELT - Front seat - Centre Lap (Cooldrive)										
	BELT ASSEMBLY	(Black)	9938798	1	69	X	X	X	X		

Note: (* Prior to ADR4C.
 (*) Use with ADR4C

HOLDEN "LH" PARTS CATALOGUE

GROUP	DESCRIPTION	SIDE	PART No.	QTY.	BODY STYLE	UG	UH	VB	VC	VD	
14.798	SLEEVE - Front seat belt protector										
	SLEEVE	(Dark Ash)	9932906DD	2	69		X		X		
	SLEEVE	(Black)	9932906BA	2	69	X	X	X	X	X	
	SLEEVE	(Chestnut)	9932906DG	2	69		X		X	X	
14.799	HOOK - Seat belt stowage										
	HOOK - Dark Ash		9932905DD	4-2	69		X		X		
	HOOK - Black		9932905BA	4-2	69	X	X	X	X	X	
	HOOK - Chestnut		9932905DG	4-2	69		X		X	X	
	HOOK - Dark Grey		9932905DS	4-2	69	X	X	X	X		
	HOOK - Tan		9932905DX	4-2	69	X	X	X	X		
	HOOK - Covert		9932905DY	4-2	69	X	X	X	X		
14.800	COVER - Front seat back (Bench Seat)										
	TRIM Nos. 12V		9929649DC	1	69	X		X			
	TRIM Nos. 14V		9929649DR	1	69	X		X			
	TRIM Nos. 18V		9929649DT	1	69	X		X			
	TRIM Nos. 19V		9929649CY	1	69	X		X			
	TRIM Nos. 45V		9929649DU	1	69	X		X			
	TRIM Nos. 46V		9929649DE	1	69	X		X			
	TRIM Nos. 60V		9929649DV	1	69	X		X			
	TRIM Nos. 62V		9929649DF	1	69	X		X			
	TRIM Nos. 64V		9929649DW	1	69	X		X			
	TRIM Nos. 66V		9929649DG	1	69	X		X			
	TRIM Nos. 12V		9929651DC	1	69		X		X		
	TRIM Nos. 14V		9929651DR	1	69		X		X		
	TRIM Nos. 18V		9929651DT	1	69		X		X		
	TRIM Nos. 19V		9929651CY	1	69		X		X		
	TRIM Nos. 45V		9929651DU	1	69		X		X		
	TRIM Nos. 46V		9929651DE	1	69		X		X		
	TRIM Nos. 60V		9929651DV	1	69		X		X		
	TRIM Nos. 62V, 63V		9929651DF	1	69		X		X		
	TRIM Nos. 64V		9929651DW	1	69		X		X		
	TRIM Nos. 66V		9929651DG	1	69		X		X		
	14.800	COVER - Front seat back (Bucket Seat)									
		TRIM Nos. 12V		9930487DC	2	69	X		X		
TRIM Nos. 14V			9930487DR	2	69	X		X			
TRIM Nos. 18V			9930487DT	2	69	X		X			
TRIM Nos. 19V			9930487CY	2	69	X		X			
TRIM Nos. 45V			9930487DU	2	69	X		X			
TRIM Nos. 46V			9930487DE	2	69	X		X			
TRIM Nos. 60V			9930487DV	2	69	X		X			
TRIM Nos. 62V			9930487DF	2	69	X		X			
TRIM Nos. 64V			9930487DW	2	69	X		X			
TRIM Nos. 66V			9930487DG	2	69	X		X			
TRIM Nos. 12V			9929653DC	2	69		X		X		
TRIM Nos. 14V			9929653DR	2	69		X		X		
TRIM Nos. 18V			9929653DT	2	69		X		X		
TRIM Nos. 19V			9929653CY	2	69		X		X		
TRIM Nos. 45V			9929653DU	2	69		X		X		
TRIM Nos. 46V			9929653DE	2	69		X		X		
TRIM Nos. 60V			9929653DV	2	69		X		X		
TRIM Nos. 62V, 63V			9929653DF	2	69		X		X		
TRIM Nos. 64V			9929653DW	2	69		X		X		
TRIM Nos. 66V			9929653DG	2	69		X		X		
TRIM Nos. 12V			9929655DC	2	69					X	
TRIM Nos. 14V			9929655DR							X	
TRIM Nos. 18V			9929655DT							X	
TRIM Nos. 19V			9929655CY	2	69					X	
TRIM Nos. 45V			9929655DU							X	
TRIM Nos. 60V			9929655DV							X	
TRIM Nos. 62V, 63V			9929655DF	2	69					X	
TRIM Nos. 64V			9929655DW							X	
TRIM Nos. 66V			9929655DG	2	69					X	

BODY

HOLDEN "LH" PARTS CATALOGUE

GROUP	DESCRIPTION	SIDE	PART No.	QTY.	BODY STYLE	UG	UH	VB	VC	VD
14.800	COVER - Front seat back (Bucket Seat) (contd.)									
	TRIM Nos. 14X		9929654DR	2	69		X		X	
	TRIM Nos. 18X		9929654DT	2	69		X		X	
	TRIM Nos. 19X		9929654CY	2	69		X		X	
	TRIM Nos. 45X		9929654DU	2	69		X		X	
	TRIM Nos. 46X		9929654DE	2	69		X		X	
	TRIM Nos. 60X		9929654DV	2	69		X		X	
	TRIM Nos. 62X, 63X		9929654DF	2	69		X		X	
	TRIM Nos. 64X		9929654DW	2	69		X		X	
	TRIM Nos. 66X		9929654DG	2	69		X		X	
	TRIM Nos. 12X		9929656DC	2	69					X
	TRIM Nos. 14X		9929656DR	2	69					X
	TRIM Nos. 18X		9929656DT	2	69					X
	TRIM Nos. 19X		9929656CY	2	69					X
	TRIM Nos. 45X		9929656DU	2	69					X
	TRIM Nos. 60X		9929656DV	2	69					X
	TRIM Nos. 62X, 63X		9929656DF	2	69					X
	TRIM Nos. 64X		9929656DW	2	69					X
	TRIM Nos. 66X		9929656DG	2	69					X
	TRIM Nos. 14Y		9929656EN	2	69					X
	TRIM Nos. 18Y		9929656EP	2	69					X
	TRIM Nos. 45Y		9929656ER	2	69					X
	TRIM Nos. 60Y		9929656ES	2	69					X
	TRIM Nos. 64Y		9929656ET	2	69					X
14.800	FASTENER - Front seat back cover									
	TRIM Nos. 12V, 12X(Ash)		SP1838DC	AR	69	X	X	X	X	X
	TRIM Nos. 14V, 14X(Dove Grey)		SP1838DR	A.R.	69	X	X	X	X	X
	TRIM Nos. 18V, 18X, 19V, 19X(Black)		SP1838BA	AR	69	X	X	X	X	X
	TRIM Nos. 45V, 45X(Jade)		SP1838DU	A.R.	69	X	X	X	X	X
	TRIM Nos. 46V, 46X(Juniper)		SP1838DE	AR	69	X	X	X	X	X
	TRIM Nos. 60V, 60X(Chamois)		SP1838DV	A.R.	69	X	X	X	X	X
	TRIM Nos. 62V, 62X, 63V, 63X(Doeskin)		SP1838DF	AR	69	X	X	X	X	X
	TRIM Nos. 64V, 64X(Gazelle)		SP1838DW	A.R.	69	X	X	X	X	X
	TRIM Nos. 66V, 66X(Chestnut)		SP1838DG	AR	69	X	X	X	X	X
14.802	PAD INSULATOR - Front seat back									
	PAD ASSEMBLY - (Bench Seat)		9930538	1	69	X	X	X	X	
	PAD ASSEMBLY - (Bucket Seat)		9930313	2	69	X	X	X	X	X
	INSULATOR ASSEMBLY - (Bench Seat)		9929565	1	69	X	X	X	X	
	INSULATOR ASSEMBLY - (Bucket Seat)		9932852	2	69	X	X	X	X	X
14.802	PAD - Front seat back frame (Bucket Seat)									
	PAD		9931462	4	69	X	X	X	X	X
14.803	TRIM - Front seat back rear (Bucket Seat)									
	TRIM Nos. 12V, 12X		9931419DC	2	69	X	X	X	X	X
	TRIM Nos. 14V, 14X, 14Y		9931419DR	2	69	X	X	X	X	X
	TRIM Nos. 18V, 18X, 18Y		9931419DT	2	69	X	X	X	X	X
	TRIM Nos. 19V, 19X		9931419CY	2	69	X	X	X	X	X
	TRIM Nos. 45V, 45X, 45Y		9931419DU	2	69	X	X	X	X	X
	TRIM Nos. 46V, 46X		9931419DE	2	69	X	X	X	X	X
	TRIM Nos. 60V, 60X, 60Y		9931419DV	2	69	X	X	X	X	X
	TRIM Nos. 62V, 62X, 63V, 63X		9931419DF	2	69	X	X	X	X	X
	TRIM Nos. 64V, 64X, 64Y		9931419DW	2	69	X	X	X	X	X
	TRIM Nos. 66V, 66X		9931419DG	2	69	X	X	X	X	X
	CLIP - Trim retainer		7377884	6	69	X	X	X	X	X
14.860	RETAINER - Front seat cover									
	RETAINER - Bucket seat		2819239	2	69	X	X	X	X	X

HOLDEN "LH" PARTS CATALOGUE

GROUP	DESCRIPTION	SIDE	PART No.	QTY.	BODY STYLE	UG	UH	VB	VC	VD	
14.880			COVER - Front seat cushion (Bench Seat)								
	TRIM Nos. 12V		9929641DC	1	69	X		X			
	TRIM Nos. 14V		9929641DR	1	69	X		X			
	TRIM Nos. 18V		9929641DT	1	69	X		X			
	TRIM Nos. 19V		9929641CY	1	69	X		X			
	TRIM Nos. 45V		9929641DU	1	69	X		X			
	TRIM Nos. 46V		9929641DE	1	69	X		X			
	TRIM Nos. 60V		9929641DV	1	69	X		X			
	TRIM Nos. 62V		9929641DF	1	69	X		X			
	TRIM Nos. 64V		9929641DW	1	69	X		X			
	TRIM Nos. 66V		9929641DG	1	69	X		X			
	TRIM Nos. 12V		9929643DC	1	69		X			X	
	TRIM Nos. 14V		9929643DR	1	69		X			X	
	TRIM Nos. 18V		9929643DT	1	69		X			X	
	TRIM Nos. 19V		9929643CY	1	69		X			X	
	TRIM Nos. 45V		9929643DU	1	69		X			X	
	TRIM Nos. 46V		9929643DE	1	69		X			X	
	TRIM Nos. 60V		9929643DV	1	69		X			X	
	TRIM Nos. 62V, 63V		9929643DF	1	69		X			X	
	TRIM Nos. 64V		9929643DW	1	69		X			X	
	TRIM Nos. 66V		9929643DG	1	69		X			X	
	14.880			COVER - Front seat cushion (Bucket Seat)							
		TRIM Nos. 12V		9930485DC	2	69	X		X		
		TRIM Nos. 14V		9930485DR	2	69	X		X		
		TRIM Nos. 18V		9930485DT	2	69	X		X		
		TRIM Nos. 19V		9930485CY	2	69	X		X		
		TRIM Nos. 45V		9930485DU	2	69	X		X		
		TRIM Nos. 46V		9930485DE	2	69	X		X		
		TRIM Nos. 60V		9930485DV	2	69	X		X		
		TRIM Nos. 62V		9930485DF	2	69	X		X		
		TRIM Nos. 64V		9930485DW	2	69	X		X		
		TRIM Nos. 66V		9930485DG	2	69	X		X		
		TRIM Nos. 12V		9929645DC	2	69		X			X
		TRIM Nos. 14V		9929645DR	2	69		X			X
TRIM Nos. 18V			9929645DT	2	69		X			X	
TRIM Nos. 19V			9929645CY	2	69		X			X	
TRIM Nos. 45V			9929645DU	2	69		X			X	
TRIM Nos. 46V			9929645DB	2	69		X			X	
TRIM Nos. 60V			9929645DV	2	69		X			X	
TRIM Nos. 62V, 63V			9929645DF	2	69		X			X	
TRIM Nos. 64V			9929645DW	2	69		X			X	
TRIM Nos. 66V			9929645DG	2	69		X			X	
TRIM Nos. 12V			9929647DC	2	69						X
TRIM Nos. 14V			9929647DR	2	69						X
TRIM Nos. 18V			9929647DT	2	69						X
TRIM Nos. 19V			9929647CY	2	69						X
TRIM Nos. 45V			9929647DU	2	69						X
TRIM Nos. 60V			9929647DV	2	69						X
TRIM Nos. 62V, 63V			9929647DF	2	69						X
TRIM Nos. 64V			9929647DW	2	69						X
TRIM Nos. 66V			9929647DG	2	69						X
TRIM Nos. 14X			9929646DR	2	69		X			X	
TRIM Nos. 18X			9929646DT	2	69		X			X	
TRIM Nos. 19X			9929646CY	2	69		X			X	
TRIM Nos. 45X			9929646DU	2	69		X			X	
TRIM Nos. 46X			9929646DE	2	69		X			X	
TRIM Nos. 60X			9929646DV	2	69		X			X	
TRIM Nos. 62X, 63X			9929646DF	2	69		X			X	
TRIM Nos. 64X			9929646DW	2	69		X			X	
TRIM Nos. 66X			9929646DG	2	69		X			X	
TRIM Nos. 12X			9929648DC	2	69						X
TRIM Nos. 14X			9929648DR	2	69						X
TRIM Nos. 18X			9929648DT	2	69						X
TRIM Nos. 19X		9929648CY	2	69						X	

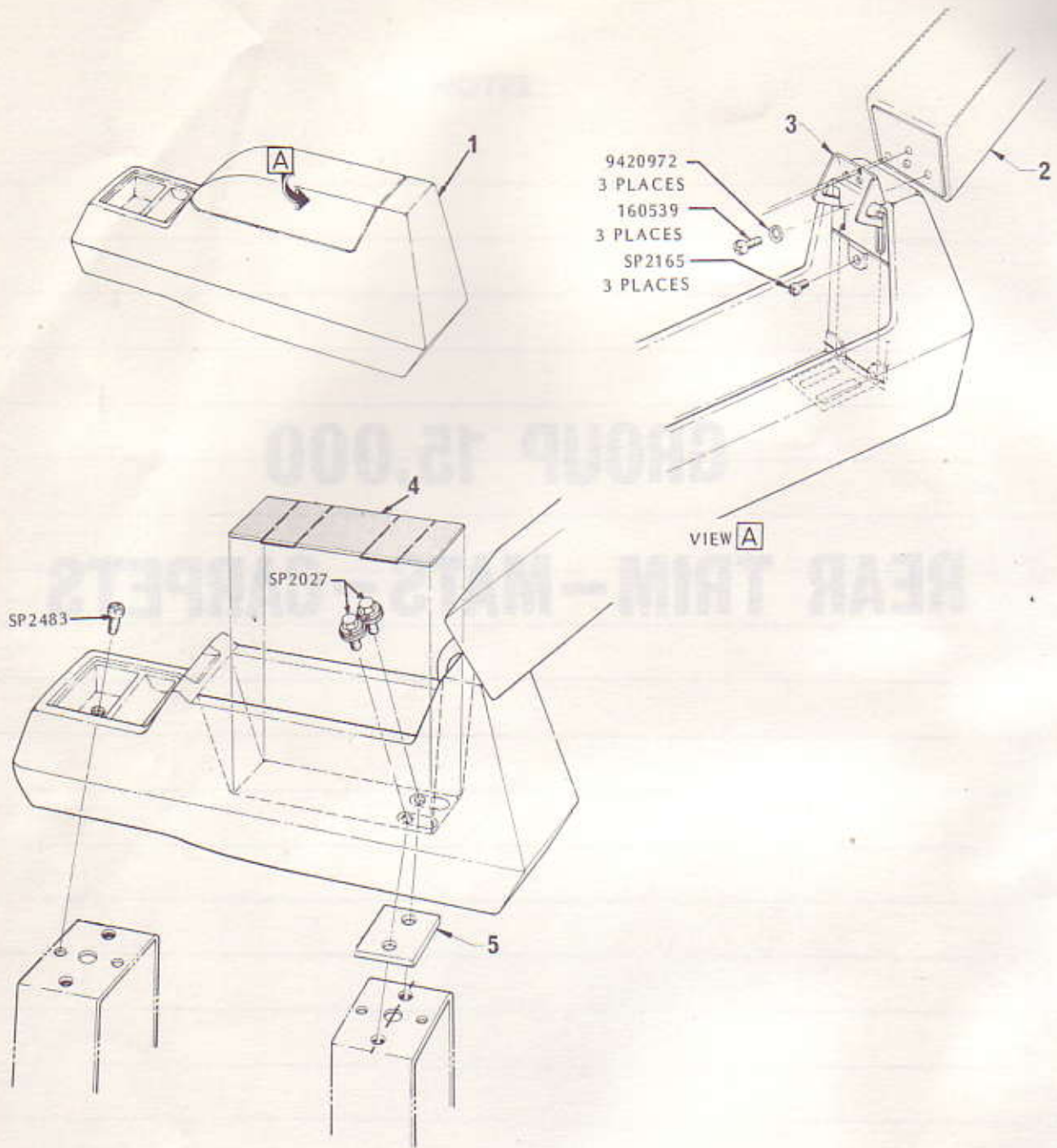
BODY

HOLDEN "LH" PARTS CATALOGUE

GROUP	DESCRIPTION	SIDE	PART No.	QTY.	BODY STYLE	UG	UH	VB	VC	VD
14.880	COVER - Front seat cushion (Bucket Seat) (contd.)									
	TRIM Nos. 45X		9929648DU	2	69					X
	TRIM Nos. 60X		9929648DV	2	69					X
	TRIM Nos. 62X, 63X		9929648DF	2	69					X
	TRIM Nos. 64X		9929648DW	2	69					X
	TRIM Nos. 66X		9929648DG	2	69					X
	TRIM Nos. 14Y		9929648EN	2	69					X
	TRIM Nos. 18Y		9929648EP	2	69					X
	TRIM Nos. 45Y		9929648ER	2	69					X
	TRIM Nos. 60Y		9929648ES	2	69					X
	TRIM Nos. 64Y		9929648ET	2	69					X
14.890	PAD - Front seat cushion									
	PAD ASSEMBLY - (Bench Seat)		9930097	1	69			X	X	
	PAD ASSEMBLY - (Bucket Seat)		9930022	2	69	X	X	X	X	X
14.925	PAD - Front seat head restraint									
	PAD ASSEMBLY - (Bench Seat)		9931600	2	69			X	X	
	PAD ASSEMBLY - (Bucket Seat)		9931661	2	69	X	X	X	X	X
14.998	BACK - Rear seat									
	Current production rear seat back assemblies will be supplied in current production trim on a firm order basis.									

NOTES

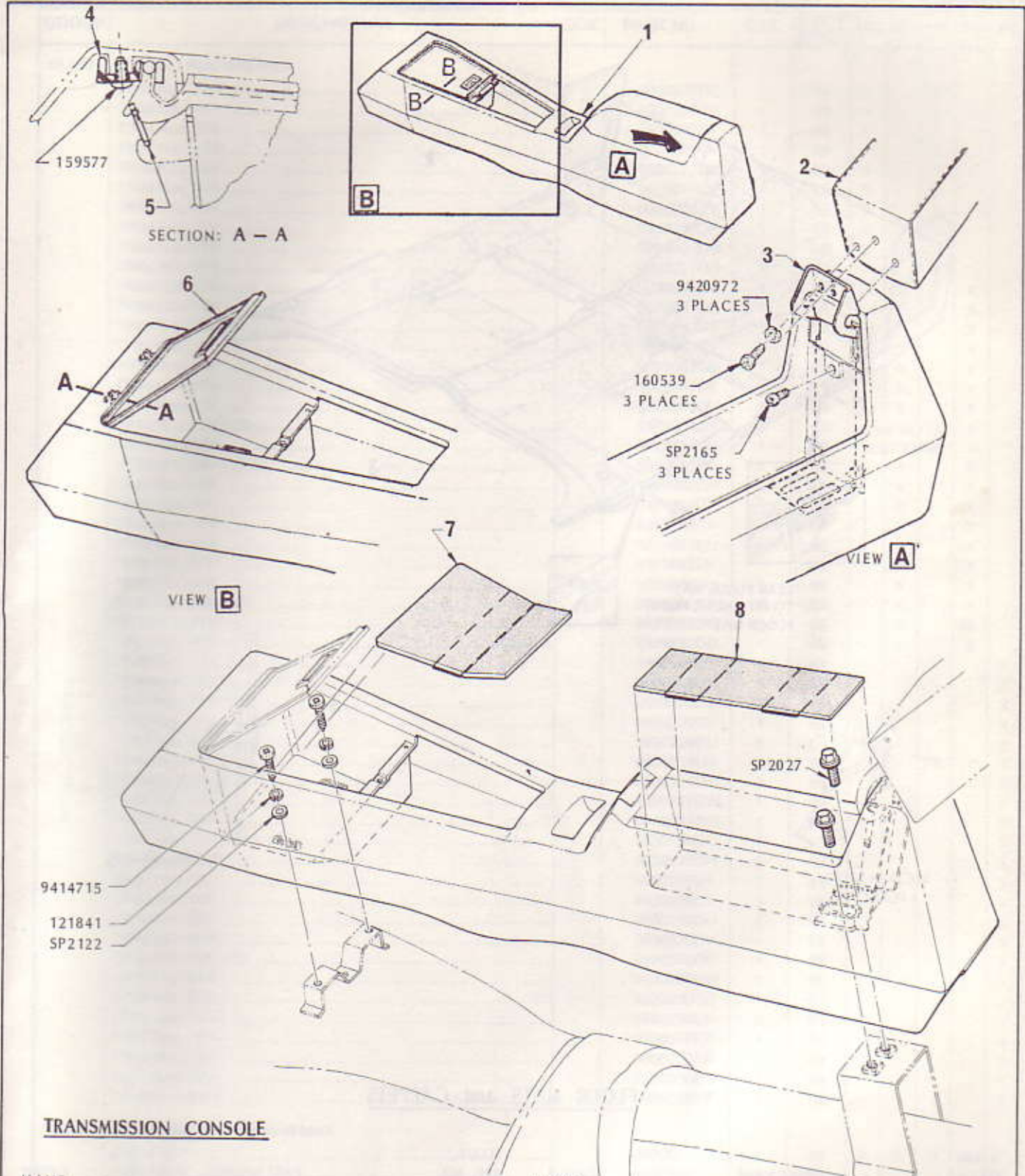
GROUP 15.000
REAR TRIM – MATS – CARPETS



FRONT SEAT SEPARATOR

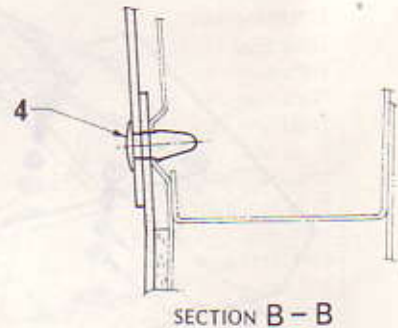
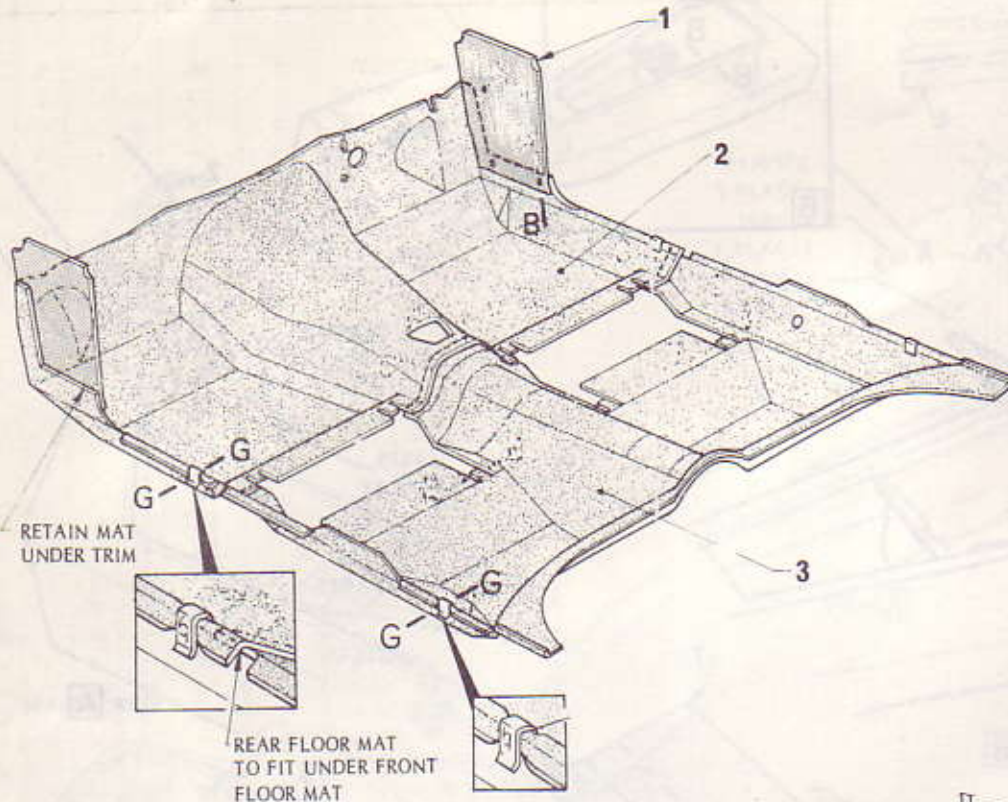
ILLUS. REF. NO.	PART NAME	GROUP
1.	SEPARATOR ASSY.	15.290
2.	ARM REST ASSY.	15.288
3.	HINGE - Arm rest	15.288
4.	CARPET - Seat separator	15.291
5.	SPACER - Separator to floor support	15.290

HOLDEN "LH" PARTS CATALOGUE



TRANSMISSION CONSOLE

ILLUS. REF. NO.	PART NAME	GROUP	ILLUS. REF. NO.	PART NAME	GROUP
1.	HOUSING	15.290	5.	SPRING - Hold open	15.292
2.	ARM REST ASSY.	15.288	6.	LID - Console	15.292
3.	HINGE - Arm rest	15.288	7.	CARPET - Console front	15.291
4.	RETAINER - Lid	15.292	8.	CARPET - Console rear	15.291



FLOOR MATS and CARPETS

ILLUS. REF. NO.	PART NAME	GROUP	ILLUS. REF. NO.	PART NAME	GROUP
1.	TRIM ASSY. - Cowl side panel lower	14.630	4.	FASTENER - Cowl side panel lower trim	14.630
2.	MAT/CARPET - Front floor	15.286	5.	NUT - Retaining	15.286/15.306
3.	MAT/CARPET - Rear floor	15.306			

HOLDEN "LH" PARTS CATALOGUE

GROUP	DESCRIPTION	SIDE	PART No.	QTY.	BODY STYLE	UG	UH	VB	VC	VD
15.000	COVER - Rear seat back									
	TRIM Nos. 12V		9930227DC	1	69	X		X		
	TRIM Nos. 14V		9930227DR	1	69	X		X		
	TRIM Nos. 18V		9930227DT	1	69	X		X		
	TRIM Nos. 19V		9930227CY	1	69	X		X		
	TRIM Nos. 45V		9930227DU	1	69	X		X		
	TRIM Nos. 46V		9930227DE	1	69	X		X		
	TRIM Nos. 60V		9930227DV	1	69	X		X		
	TRIM Nos. 62V		9930227DF	1	69	X		X		
	TRIM Nos. 64V		9930227DW	1	69	X		X		
	TRIM Nos. 66V		9930227DG	1	69	X		X		
	TRIM Nos. 12V		9929881DC	1	69		X		X	
	TRIM Nos. 14V		9929881DR	1	69		X		X	
	TRIM Nos. 18V		9929881DT	1	69		X		X	
	TRIM Nos. 19V		9929881CY	1	69		X		X	
	TRIM Nos. 45V		9929881DU	1	69		X		X	
	TRIM Nos. 46V		9929881DE	1	69		X		X	
	TRIM Nos. 60V		9929881DV	1	69		X		X	
	TRIM Nos. 62V, 63V		9929881DF	1	69		X		X	
	TRIM Nos. 64V		9929881DW	1	69		X		X	
	TRIM Nos. 66V		9929881DG	1	69		X		X	
	TRIM Nos. 14X		9929882DR	1	69		X		X	
	TRIM Nos. 18X		9929882DT	1	69		X		X	
	TRIM Nos. 19X		9929882CY	1	69		X		X	
	TRIM Nos. 45X		9929882DU	1	69		X		X	
	TRIM Nos. 46X		9929882DE	1	69		X		X	
	TRIM Nos. 60X		9929882DV	1	69		X		X	
	TRIM Nos. 62X, 63X		9929882DF	1	69		X		X	
	TRIM Nos. 64X		9929882DW	1	69		X		X	
	TRIM Nos. 66X		9929882DG	1	69		X		X	
	TRIM Nos. 12V		9930229DC	1	69					X
	TRIM Nos. 14V		9930229DR	1	69					X
	TRIM Nos. 18V		9930229DT	1	69					X
	TRIM Nos. 19V		9930229CY	1	69					X
	TRIM Nos. 45V		9930229DU	1	69					X
	TRIM Nos. 60V		9930229DV	1	69					X
	TRIM Nos. 62V, 63V		9930229DF	1	69					X
	TRIM Nos. 64V		9930229DW	1	69					X
	TRIM Nos. 66V		9930229DG	1	69					X
	TRIM Nos. 12X		9930230DC	1	69					X
	TRIM Nos. 14X		9930230DR	1	69					X
	TRIM Nos. 18X		9930230DT	1	69					X
	TRIM Nos. 19X		9930230CY	1	69					X
	TRIM Nos. 45X		9930230DU	1	69					X
	TRIM Nos. 60X		9930230DV	1	69					X
	TRIM Nos. 62X, 63X		9930230DF	1	69					X
	TRIM Nos. 64X		9930230DW	1	69					X
	TRIM Nos. 66X		9930230DG	1	69					X
	TRIM Nos. 14Y		9930230EN	1	69					X
	TRIM Nos. 18Y		9930230EP	1	69					X
	TRIM Nos. 45Y		9930230ER	1	69					X
	TRIM Nos. 60Y		9930230ES	1	69					X
	TRIM Nos. 64Y		9930230ET	1	69					X
15.002	PAD, SPACER - Rear seat back									
	PAD ASSY.		9930959	1	69	X	X	X	X	
	PAD ASSY.		9930972	1	69					X
	PAD ASSEMBLY - TOP		9931139	1	69					X
	SPACER ASSY. - Top		9931140	1	69	X	X	X	X	
15.024	TRIM - Package tray									
	TRIM - Dark Ash		2824895DD	1	69	X	X	X	X	
	TRIM - Black		2824895BA	1	69	X	X	X	X	X
	TRIM - Chestnut		2824895DG	1	69	X	X	X	X	X
	TRIM - Dark Grey		2824895DS	1	69	X	X	X	X	X
	TRIM - Tan		2824895DX	1	69	X	X	X	X	X

HOLDEN "LH" PARTS CATALOGUE

GROUP	DESCRIPTION	SIDE	PART No.	QTY.	BODY STYLE	UG	UH	VB	VC	VD
15.024	FASTENER - Package tray trim									
	FASTENER - Dark Ash		SP1838DD	4	69	X	X	X	X	
	FASTENER - Black		SP1838BA	4	69	X	X	X	X	X
	FASTENER - Chestnut		SP1838DG	4	69	X	X	X	X	X
	FASTENER - Dark Grey		SP1838DS	4	69	X	X	X	X	X
	FASTENER - Tan		SP1838DX	4	69	X	X	X	X	X
15.033	CUSHION - Rear seat									
	Current production rear seat cushion assemblies will be supplied in current production trim on a firm order basis									
15.035	COVER - Rear seat cushion									
	TRIM Nos. 12V		9937497DC	1	69	X		X		
	TRIM Nos. 14V		9937497DR	1	69	X		X		
	TRIM Nos. 18V		9937497DT	1	69	X		X		
	TRIM Nos. 19V		9937497CY	1	69	X		X		
	TRIM Nos. 45V		9937497DU	1	69	X		X		
	TRIM Nos. 46V		9937497DE	1	69	X		X		
	TRIM Nos. 60V		9937497DV	1	69	X		X		
	TRIM Nos. 62V		9937497DF	1	69	X		X		
	TRIM Nos. 64V		9937497DW	1	69	X		X		
	TRIM Nos. 66V		9937497DG	1	69	X		X		
	TRIM Nos. 12V		9937498DC	1	69		X		X	
	TRIM Nos. 14V		9937498DR	1	69		X		X	
	TRIM Nos. 18V		9937498DT	1	69		X		X	
	TRIM Nos. 19V		9937498CY	1	69		X		X	
	TRIM Nos. 45V		9937498DU	1	69		X		X	
	TRIM Nos. 46V		9937498DE	1	69		X		X	
	TRIM Nos. 60V		9937498DV	1	69		X		X	
	TRIM Nos. 62V, 63V		9937498DF	1	69		X		X	
	TRIM Nos. 64V		9937498DW	1	69		X		X	
	TRIM Nos. 66V		9937498DG	1	69		X		X	
	TRIM Nos. 14X		9937501DR	1	69		X		X	
	TRIM Nos. 18X		9937501DT	1	69		X		X	
	TRIM Nos. 19V		9937501CY	1	69		X		X	
	TRIM Nos. 45X		9937501DU	1	69		X		X	
	TRIM Nos. 46X		9937501DE	1	69		X		X	
	TRIM Nos. 60X		9937501DV	1	69		X		X	
	TRIM Nos. 62X, 63X		9937501DF	1	69		X		X	
	TRIM Nos. 64X		9937501DW	1	69		X		X	
	TRIM Nos. 66X		9937501DG	1	69		X		X	
	TRIM Nos. 12V		9937499DC	1	69					X
	TRIM Nos. 14V		9937499DR	1	69					X
	TRIM Nos. 18V		9937499DT	1	69					X
	TRIM Nos. 19V		9937499CY	1	69					X
	TRIM Nos. 45V		9937499DU	1	69					X
	TRIM Nos. 60V		9937499DV	1	69					X
	TRIM Nos. 62V, 63V		9937499DF	1	69					X
	TRIM Nos. 66V		9937499DG	1	69					X
	TRIM Nos. 12X		9937500DC	1	69					X
	TRIM Nos. 14X		9937500DR	1	69					X
	TRIM Nos. 18X		9937500DT	1	69					X
	TRIM Nos. 19V		9937500CY	1	69					X
	TRIM Nos. 45X		9937500DU	1	69					X
	TRIM Nos. 60X		9937500DV	1	69					X
	TRIM Nos. 62X, 63X		9937500DF	1	69					X
	TRIM Nos. 64X		9937500DW	1	69					X
	TRIM Nos. 66X		9937500DG	1	69					X
	TRIM Nos. 14Y		9937500EN	1	69					X
	TRIM Nos. 18Y		9937500EP	1	69					X
	TRIM Nos. 45Y		9937500ER	1	69					X
	TRIM Nos. 60Y		9937500ES	1	69					X
	TRIM Nos. 64Y		9937500ET	1	69					X

HOLDEN "LH" PARTS CATALOGUE

GROUP	DESCRIPTION	SIDE	PART No.	QTY.	BODY STYLE	UG	UH	VB	VC	VD
15.036	PAD - Rear seat cushion									
	PAD ASSY.		9937502	1	69	X	X	X	X	
	PAD ASSY.		9937503	1	69					X
	PAD - Cushion spring		7414105	1	69	X	X	X	X	X
15.040	BELT - Rear seat - Lap & Shoulder - (Rainsford)									
	BELT ASSEMBLY	(Dark Ash)	(* 9931170DD	2	69		X		X	
	BELT ASSEMBLY	(Black)	(* 9931170BA	2	69	X	X	X	X	X
	BELT ASSEMBLY	(Chestnut)	(* 9931170DG	2	69		X		X	X
	BOLT - Side attaching		9929664	4	69	X	X	X	X	X
	BELT ASSEMBLY	(Black)	(* 9939601	2	69	X	X	X	X	X
	BOLT - Centre attaching		9934331	2	69	X	X	X	X	X
	SPACER - Side lower & centre attaching (.30" Thick)		9929669	4	69	X	X	X	X	X
	SPACER - Side upper attaching (.36" Thick)		9932904	2	69	X	X	X	X	X
	SPACER - Centre attaching (.42" Thick)		9929668	2	69	X	X	X	X	X
	WASHER - Seat belt mounting		SP2204	4	69	X	X	X	X	X
15.040	BELT - Rear seat - Lap & Shoulder - (Cooldrive)									
	BELT ASSEMBLY	(Black)	9938797	2	69	X	X	X	X	X
	BOLT - Side attaching		9929664	4	69	X	X	X	X	X
	BOLT - Centre attaching		9934331	2	69	X	X	X	X	X
	SPACER - Side lower & centre attaching (.30" thick)		9929669	4	69	X	X	X	X	X
	SPACER - Side upper attaching (.36" thick)		9932904	2	69	X	X	X	X	X
	SPACER - Centre attaching (.42" thick)		9929668	2	69	X	X	X	X	X
WASHER - Seat belt mounting		SP2204	4	69	X	X	X	X	X	
15.040	BELT - Rear seat - Centre Lap - (Rainsford)									
	BELT ASSEMBLY	(Dark Ash)	(* 9931169DD	1	69		X		X	
	BELT ASSEMBLY	(Black)	(* 9931169BA	1	69	X	X	X	X	X
	BELT ASSEMBLY	(Chestnut)	(* 9931169DG	1	69		X		X	X
	BELT ASSEMBLY	(Black)	(* 9939600	1	69	X	X	X	X	X
15.040	BELT - Rear seat - Centre Lap - (Cooldrive)									
BELT ASSEMBLY	(Black)	9938799	1	69	X	X	X	X	X	
15.040	SLEEVE - Rear seat belt protector									
	SLEEVE	(Dark Ash)	9932906DD	2	69		X		X	
	SLEEVE	(Black)	9932906BA	2	69	X	X	X	X	X
	SLEEVE	(Chestnut)	9932906DG	2	69		X		X	X
15.100	TRIM - Rear quarter lower									
	TRIM - Ash	LH	E765DC	1	69	X	X	X	X	X
			RH	E764DC	1	69	X	X	X	X
	TRIM - Black	LH	E765CY	1	69	X	X	X	X	X
			RH	E764CY	1	69	X	X	X	X
	TRIM - Juniper	LH	E765DE	1	69	X	X	X	X	X
			RH	E764DE	1	69	X	X	X	X
	TRIM - Doeskin	LH	E765DF	1	69	X	X	X	X	X
			RH	E764DF	1	69	X	X	X	X
	TRIM - Chestnut	LH	E765DG	1	69	X	X	X	X	X
			RH	E764DG	1	69	X	X	X	X
	TRIM - Dove Grey	LH	E765DR	1	69	X	X	X	X	X
			RH	E764DR	1	69	X	X	X	X
	TRIM - Slate Black	LH	E765DT	1	69	X	X	X	X	X
			RH	E764DT	1	69	X	X	X	X
	TRIM - Jade	LH	E765DU	1	69	X	X	X	X	X
			RH	E764DU	1	69	X	X	X	X
	TRIM - Chamois	LH	E765DV	1	69	X	X	X	X	X
			RH	E764DV	1	69	X	X	X	X
	TRIM - Gazelle	LH	E765DW	1	69	X	X	X	X	X
		RH	E764DW	1	69	X	X	X	X	

Note: (* Prior to ADR4C.
 (** Use with ADR4C

HOLDEN "LH" PARTS CATALOGUE

GROUP	DESCRIPTION	SIDE	PART No.	QTY.	BODY STYLE	UG	UH	VB	VC	VD	
15.286	CARPET - Front floor (contd.)										
	CARPET - Dark Grey	LEFT HAND DRIVE	(** 9928508DS	1	69	X	X	X	X	X	
	CARPET - Jade	LEFT HAND DRIVE	(** 9928508DU	1	69	X	X	X	X	X	
	CARPET - Dark Ash	LEFT HAND DRIVE	(** 9928587DD	1	69	X	X	X	X		
	CARPET - Black	LEFT HAND DRIVE	(** 9928587BA	1	69	X	X	X	X		
	CARPET - Juniper	LEFT HAND DRIVE	(** 9928587DE	1	69	X	X	X	X		
	CARPET - Chestnut	LEFT HAND DRIVE	(** 9928587DG	1	69	X	X	X	X		
	CARPET - Dark Grey	LEFT HAND DRIVE	(** 9928587DS	1	69	X	X	X	X		
	CARPET - Jade	LEFT HAND DRIVE	(** 9928587DU	1	69	X	X	X	X		
	NUT - Retaining		SP2501	2	69		X	X	X	X	
	15.288	ARM REST - Console and front seat seperator									
ARM REST ASSY. - Black			9933024CY	1	69	X	X	X	X	X	
ARM REST ASSY. - Ash			9933024DC	1	69	X	X	X	X	X	
ARM REST ASSY. - Juniper			9933024DE	1	69	X	X	X	X	X	
ARM REST ASSY. - Doeskin			9933024DF	1	69	X	X	X	X	X	
ARM REST ASSY. - Chestnut			9933024DG	1	69	X	X	X	X	X	
ARM REST ASSY. - Dove Grey			9933024DR	1	69	X	X	X	X	X	
ARM REST ASSY. - Slate Black			9933024DT	1	69	X	X	X	X	X	
ARM REST ASSY. - Jade			9933024DU	1	69	X	X	X	X	X	
ARM REST ASSY. - Chamois			9933024DV	1	69	X	X	X	X	X	
ARM REST ASSY. - Gazelle		9933024DW	1	69	X	X	X	X	X		
15.288	PAD, HINGE - Console and seat separator arm rest										
	PAD		9933025	1	69	X	X	X	X	X	
	HINGE		9933021	1	69	X	X	X	X	X	
	WASHER - Hinge to arm rest		9420972	3	69	X	X	X	X	X	
PLATE - Arm rest closing		9933030	1	69	X	X	X	X	X		
15.289	COVER - Console and seat separator arm rest										
	COVER - Ash		9933029DG	1	69	X	X	X	X	X	
	COVER - Dove Grey		9933029DR	1	69	X	X	X	X	X	
	COVER - Slate Black		9933029DT	1	69	X	X	X	X	X	
	COVER - Black		9933029CY	1	69	X	X	X	X	X	
	COVER - Jade		9933029DU	1	69	X	X	X	X	X	
	COVER - Juniper		9933029DE	1	69	X	X	X	X	X	
	COVER - Chamois		9933029DV	1	69	X	X	X	X	X	
	COVER - Doeskin		9933029DF	1	69	X	X	X	X	X	
	COVER - Gazelle		9933029DW	1	69	X	X	X	X	X	
COVER - Chestnut		9933029DG	1	69	X	X	X	X	X		
15.290	SEPARATOR, BRACKET - Front seat										
	SEPARATOR (Steering Column Shift)		9933036	1	69			X	X		
	BRACET (Steering Column Shift)		9933031	2	69			X	X		
SPACER (Steering Column Shift)		9940392	1	69			X	X			
15.290	HOUSING, BRACKET - Transmission console										
	HOUSING		(45 2825515	1	69	X	X	X	X	X	
	HOUSING		(46 9933853	1	69			X	X	X	
	HOUSING - First type transmission		(46 9933853	1	69	X	X				
	HOUSING - Second type transmission		(46 9933970	1	69	X	X				
	SCREW - Console to rear bracket		(46 SP2027	2	69	X	X	X	X	X	
	SCREW - Console to front bracket		SP2183	2	69	X	X	X	X	X	
	BRACKET - Rear mounting		9933379	1	69	X	X	X	X	X	
Note: (41 Use with front bench seat. (42 Use with front bucket seat. (45 Console without armrest. (46 Console with armrest.											

HOLDEN "LH" PARTS CATALOGUE

GROUP	DESCRIPTION	SIDE	PART No.	QTY.	BODY STYLE	UG	UH	VB	VC	VD		
15.286	CARPET - Front floor (contd.)											
	CARPET - Dark GreyLEFT HAND DRIVE	(⁴³ 9928508DS	1	69	X	X	X	X	X		
	CARPET - JadeLEFT HAND DRIVE	(⁴³ 9928508DU	1	69	X	X	X	X	X		
	CARPET - Dark AshLEFT HAND DRIVE	(⁴⁴ 9928587DD	1	69	X	X	X	X			
	CARPET - BlackLEFT HAND DRIVE	(⁴⁴ 9928587BA	1	69	X	X	X	X			
	CARPET - JuniperLEFT HAND DRIVE	(⁴⁴ 9928587DE	1	69	X	X	X	X			
	CARPET - ChestnutLEFT HAND DRIVE	(⁴⁴ 9928587DG	1	69	X	X	X	X			
	CARPET - Dark GreyLEFT HAND DRIVE	(⁴⁴ 9928587DS	1	69	X	X	X	X			
	CARPET - JadeLEFT HAND DRIVE	(⁴⁴ 9928587DU	1	69	X	X	X	X			
	NUT - Retaining		SP2501	2	69		X	X	X	X		
	15.288	ARM REST - Console and front seat separator										
		ARM REST ASSY. - Black		9933024CY	1	69	X	X	X	X	X	
		ARM REST ASSY. - Ash		9933024DC	1	69	X	X	X	X	X	
ARM REST ASSY. - Juniper			9933024DE	1	69	X	X	X	X	X		
ARM REST ASSY. - Doeskin			9933024DF	1	69	X	X	X	X	X		
ARM REST ASSY. - Chestnut			9933024DG	1	69	X	X	X	X	X		
ARM REST ASSY. - Dove Grey			9933024DR	1	69	X	X	X	X	X		
ARM REST ASSY. - Slate Black			9933024DT	1	69	X	X	X	X	X		
ARM REST ASSY. - Jade			9933024DU	1	69	X	X	X	X	X		
ARM REST ASSY. - Chamois			9933024DV	1	69	X	X	X	X	X		
ARM REST ASSY. - Gazelle			9933024DW	1	69	X	X	X	X	X		
15.288	PAD, HINGE - Console and seat separator arm rest											
	PAD		9933025	1	69	X	X	X	X	X		
	HINGE		9933021	1	69	X	X	X	X	X		
	WASHER - Hinge to arm rest		9420972	3	69	X	X	X	X	X		
	PLATE - Arm rest closing		9933030	1	69	X	X	X	X	X		
15.289	COVER - Console and seat separator arm rest											
	COVER - Ash		9933029DG	1	69	X	X	X	X	X		
	COVER - Dove Grey		9933029DR	1	69	X	X	X	X	X		
	COVER - Slate Black		9933029DT	1	69	X	X	X	X	X		
	COVER - Black		9933029CY	1	69	X	X	X	X	X		
	COVER - Jade		9933029DU	1	69	X	X	X	X	X		
	COVER - Juniper		9933029DE	1	69	X	X	X	X	X		
	COVER - Chamois		9933029DV	1	69	X	X	X	X	X		
	COVER - Doeskin		9933029DF	1	69	X	X	X	X	X		
	COVER - Gazelle		9933029DW	1	69	X	X	X	X	X		
	COVER - Chestnut		9933029DG	1	69	X	X	X	X	X		
15.290	SEPARATOR, BRACKET - Front seat											
	SEPARATOR (Steering Column Shift)		9933036	1	69			X	X			
	BRACET (Steering Column Shift)		9933031	2	69			X	X			
	SPACER (Steering Column Shift)		9940392	1	69			X	X			
15.290	HOUSING, BRACKET - Transmission console											
	HOUSING		(⁴⁵ 2825515	1	69	X	X	X	X	X		
	HOUSING		(⁴⁶ 9933853	1	69			X	X	X		
	HOUSING - First type transmission		(⁴⁶ 9933853	1	69	X	X					
	HOUSING - Second type transmission		(⁴⁶ 9933970	1	69	X	X					
	SCREW - Console to rear bracket		(⁴⁶ SP2027	2	69	X	X	X	X	X		
	SCREW - Console to front bracket		SP2183	2	69	X	X	X	X	X		
	BRACKET - Rear mounting		9933379	1	69	X	X	X	X	X		
Note: (⁴³ Use with front bench seat. (⁴⁴ Use with front bucket seat. (⁴⁵ Console without armrest. (⁴⁶ Console with armrest.												

HOLDEN "LH" PARTS CATALOGUE

GROUP	DESCRIPTION	SIDE	PART No.	QTY.	BODY STYLE	UG	UH	VB	VC	VD	
15.291	CARPET - Console compartment										
	CARPET - Front		D145	1	69	X	X	X	X	X	
	CARPET - Rear		(* D063)	1	69	X	X	X	X	X	
	CARPET - Rear		(* F250)	1	69	X	X	X	X	X	
15.292	LID, RETAINER, SPRING, BUMPER, INSERT - Transmission console										
	LID ASSEMBLY		2816801	1	69	X		X			
	LID ASSEMBLY		2829783	1	69		X		X	X	
	LID ASSY. - 6 Cyl, 4.2 Litre Eng.		2829783	1	69					X	
	LID ASSY. - 5 Litre exc. L34 Eng.		2816801	1	69					X	
	RETAINER - Lid exc. L34 Eng.		2816966	2	69	X	X	X	X	X	
	SPRING - Hold open exc. L34 Eng.		2822287	1	69	X	X	X	X	X	
	BUMPER - Lid exc. L34 Eng.		7438383	1	69	X	X	X	X	X	
	INSERT - Manual gearshift pattern		2818184	1	69		X	X	X	X	
	15.293	COVER - Transmission control housing									
COVER - Manual (Console Shift)			9928996	1	69				X		
COVER - Manual (Console Shift)			2817277	1	69			X			
COVER - Manual (Console Shift) exc. 5 Litre Eng.			9928996	1	69					X	
COVER - Manual (Console Shift) 5 Litre Eng.			2817277	1	69					X	
COVER - Automatic (Console Shift)RIGHT HAND DRIVE			2817704	1	69	X		X			
COVER - Automatic (Console Shift)LEFT HAND DRIVE			9928765	1	69	X		X			
COVER - Automatic (Console Shift)RIGHT HAND DRIVE			9930120	1	69		X		X		
COVER - Automatic (Console Shift)LEFT HAND DRIVE			9928766	1	69		X		X		
COVER - Automatic (Console Shift), 5 Litre Eng.			9933682	1	69					X	
COVER - Rear mounting (Console Shift)			2829910	1	69	X	X	X	X	X	
COVER - Automatic (Console Shift) exc. 5 Litre Eng.			9930120	1	69					X	
COVER - Manual, First type transmission (Console Shift)			9928996	1	69	X					
COVER - Manual, Second type transmission (Console Shift)			9934393	1	69	X					
15.294		MAT - Luggage compartment floor									
	MAT - Exc. 5 Litre Eng.		2825538	1	69	X	X	X	X	X	
15.306	MAT - Rear floor										
	MAT - Dark Ash		2825506DD	1	69	X					
	MAT - Black		2825506BA	1	69	X					
	MAT - Juniper		2825506DE	1	69	X					
	MAT - Chestnut		2825506DG	1	69	X					
	MAT - Dark Grey		2825506DS	1	69	X					
	MAT - Jade		2825506DU	1	69	X					
	NUT - Retaining		SP2501	2	69	X					
15.306	CARPET - Rear floor										
	CARPET - Dark Ash		2825829DD	1	69	X	X	X	X	X	
	CARPET - Black		2825829BA	1	69	X	X	X	X	X	
	CARPET - Juniper		2825829DE	1	69	X	X	X	X	X	
	CARPET - Chestnut		2825829DG	1	69	X	X	X	X	X	
	CARPET - Dark Grey		2825829DS	1	69	X	X	X	X	X	
	CARPET - Jade		2825829DU	1	69	X	X	X	X	X	
	CARPET - n		2825829DX	1	69	X	X	X	X	X	
	NUT - Retaining		SP2501	2	69	X	X	X	X	X	
	15.390	HANDLE - Assist grip									
HANDLE - Ash			9928482DC	3	69		X	X	X	X	
HANDLE - Black			9928482BA	3	69		X	X	X	X	
HANDLE - Doeskin			9928482DF	3	69		X	X	X	X	
HANDLE - Juniper			9928482DE	3	69		X	X	X	X	
HANDLE - Chestnut			9928482DG	3	69		X	X	X	X	
HANDLE - Dove Grey			9928482DR	3	69		X	X	X	X	
HANDLE - Jade			9928482DU	3	69		X	X	X	X	
HANDLE - Chamois			9928482DV	3	69		X	X	X	X	
HANDLE - Gazelle			9928482DW	3	69		X	X	X	X	
Note: (* ⁴⁵ Console without armrest. (* ⁴⁶ Console with armrest.											

HOLDEN "LH" PARTS CATALOGUE

GROUP	DESCRIPTION	SIDE	PART No.	QTY.	BODY STYLE	UG	UH	VB	VC	VD
15.520	WINDLACE - Front door opening									
	WINDLACE - Ash		2808877DC	2	69	X	X	X	X	X
	WINDLACE - Black		2808877BA	2	69	X	X	X	X	X
	WINDLACE - Juniper		2808877DE	2	69	X	X	X	X	X
	WINDLACE - Doeskin		2808877DF	2	69	X	X	X	X	X
	WINDLACE - Chestnut		2808877DG	2	69	X	X	X	X	X
	WINDLACE - Dove Grey		2808877DR	2	69	X	X	X	X	X
	WINDLACE - Jade		2808877DU	2	69	X	X	X	X	X
	WINDLACE - Chamois		2808877DV	2	69	X	X	X	X	X
	WINDLACE - Gazelle		2808877DW	2	69	X	X	X	X	X
15.520	WINDLACE - Rear door opening									
	WINDLACE - Ash		2808874DC	2	69	X	X	X	X	X
	WINDLACE - Black		2808874BA	2	69	X	X	X	X	X
	WINDLACE - Juniper		2808874DE	2	69	X	X	X	X	X
	WINDLACE - Doeskin		2808874DF	2	69	X	X	X	X	X
	WINDLACE - Chestnut		2808874DG	2	69	X	X	X	X	X
	WINDLACE - Dove Grey		2808874DR	2	69	X	X	X	X	X
	WINDLACE - Jade		2808874DU	2	69	X	X	X	X	X
	WINDLACE - Chamois		2808874DV	2	69	X	X	X	X	X
	WINDLACE - Gazelle		2808874DW	2	69	X	X	X	X	X

NOTES

A large rectangular area containing approximately 25 horizontal lines for taking notes.

HOLDEN "LH" PARTS CATALOGUE

PART No.	GROUP	PART No.	GROUP	PART No.	GROUP	PART No.	GROUP	PART No.	GROUP
CT22	0.799	M37137	2.374	SP1557	1.166	SP1838DW	14.800	SP2192	14.764
D063	15.291	M37209	8.823	SP1572	1.166	SP1843	3.415	SP2203	0.787
D145	15.291	M37365	0.643	SP1579	2.342	SP1867	2.731	SP2204	14.798
E432	12.803	M37366	0.643	SP1606	12.116	SP1868	1.762	SP2204	15.040
E678	15.103	M37367	0.643	SP1606	12.121	SP1885	2.342	SP2207	9.280
E681CY	14.730	M37403	10.550	SP1610	3.260	SP1885	4.342U	SP2207	9.779
E681DC	14.730	M37425	4.005A	SP1610	9.220	SP1885	4.342A	SP2209	10.187
E681DE	14.730	M37458	8.823	SP1610	9.779	SP1885	4.342F	SP2211	4.015F
E681DF	14.730	M37464	3.705	SP1611	1.762	SP1887	9.276	SP2212	6.508
E681DG	14.730	M37465	3.705	SP1649	0.033	SP1899	7.370	SP2215	2.728
E681DR	14.730	M37500	9.662	SP1649	0.553	SP1900	2.679	SP2216	4.015F
E681DT	14.730	M37532	8.823	SP1650	0.269	SP1961	4.038U	SP2219	0.726
E681DU	14.730	M37535	8.800	SP1665	5.545	SP1975	0.553	SP2220	3.001
E681DV	14.730	M37557	4.003F	SP1701	1.069	SP1976	3.902	SP2225	2.555
E681DW	14.730	M37561	0.636	SP1701	1.251	SP1986	10.160	SP2235	4.686
E682CY	14.730	M37568	2.515	SP1701	9.220	SP1989	7.243	SP2238	0.852
E682DC	14.730	M37569	4.005H	SP1701	9.779	SP1989	7.370	SP2239	0.852
E682DE	14.730	M37570	9.169	SP1708	5.387	SP2013	8.143	SP2240	4.681
E682DF	14.730	M37571	9.169	SP1710	8.154	SP2024	4.010U	SP2249	2.820
E682DG	14.730	M37588BLK	9.610	SP1710	9.127	SP2024	4.015F	SP2267	9.779
E682DR	14.730	M37588RED	9.610	SP1710	10.260	SP2027	15.290	SP2279	3.120
E682DT	14.730	M37588TAN	9.610	SP1724	3.910	SP2028	1.652	SP2284	10.187
E682DU	14.730	M37601	8.823	SP1733	2.728	SP2029	4.003A	SP2291	7.632
E682DV	14.730	M37606CLR	9.684	SP1734	2.515	SP2029	4.003F	SP2297	4.636
E682DW	14.730	M37606TNT	9.684	SP1735	4.826	SP2040	1.069	SP2299	4.685
E764CY	15.100	M37607CLR	9.684	SP1750	10.262	SP2050	1.266	SP2319	2.188
E764DC	15.100	M37607TNT	9.684	SP1756	0.787	SP2052	3.202	SP2341	2.895
E764DE	15.100	M37610	0.000	SP1758	9.779	SP2055	1.266	SP2343	12.940
E764DF	15.100	M37615	9.662	SP1762	9.278	SP2055	8.079	SP2357	2.341
E764DG	15.100	M37616	8.823	SP1763	3.288	SP2056	8.130	SP2357	2.342
E764DR	15.100	M37617	9.600	SP1763	3.900	SP2058	2.459	SP2357	3.202
E764DT	15.100	M37618	9.600	SP1766	0.839	SP2059	2.700	SP2359	2.342
E764DU	15.100	M37619	9.600	SP1768	2.822	SP2064	12.242	SP2359	4.685
E764DV	15.100	M37620	9.600	SP1768	2.895	SP2064	12.967	SP2359	7.347
E764DW	15.100	M37621	9.600	SP1778	2.342	SP2068	1.251	SP2359	9.276
E765CY	15.100	M37622	9.600	SP1779	2.342	SP2068	9.171	SP2360	7.836
E765DC	15.100	M37623	9.600	SP1812	0.033	SP2069	1.251	SP2362	2.728
E765DE	15.100	M37625	9.662	SP1825	0.921	SP2070	1.153	SP2365	7.852
E765DF	15.100	PF10	1.835	SP1828	12.804	SP2071	1.153	SP2367	2.342
E765DG	15.100	SD	1.835	SP1828	12.948	SP2078	2.041	SP2367	3.120
E765DR	15.100	SP1004	1.166	SP1838BA	14.630	SP2079	2.041	SP2367	3.158
E765DT	15.100	SP1099	2.586	SP1838BA	14.800	SP2083	9.171	SP2367	9.276
E765DU	15.100	SP1099	4.594	SP1838BA	15.024	SP2090	5.395	SP2368	2.728
E765DV	15.100	SP1229	6.524	SP1838DC	14.800	SP2094	4.311A	SP2369	13.092
E765DW	15.100	SP1328	3.430	SP1838DD	14.630	SP2094	4.311F	SP2370	2.728
E955	12.803	SP1328	11.588	SP1838DD	15.024	SP2103	4.038U	SP2372	9.280
E986	12.803	SP1330	7.370	SP1838DE	14.630	SP2111	2.515	SP2376	6.509
E987	12.803	SP1352	3.410	SP1838DE	14.800	SP2113	6.521	SP2383	10.160
F250	15.291	SP1438	9.779	SP1838DF	14.800	SP2115	10.450	SP2388	4.233U
M31722	9.648	SP1445	0.659	SP1838DG	14.630	SP2115	10.454	SP2392	2.682
M35270	9.662	SP1445	4.040U	SP1838DG	14.800	SP2115	10.456	SP2394	2.682
M35821	0.449	SP1450	0.787	SP1838DG	15.024	SP2115	10.460	SP2418	2.555
M36815	4.177U	SP1467	2.700	SP1838DR	14.630	SP2141	4.105A	SP2419	1.265
M36827	14.694	SP1533	1.426	SP1838DR	14.800	SP2141	4.105F	SP2419	12.182
M36827	14.768	SP1534	4.015F	SP1838DS	15.024	SP2150	3.410	SP2422	2.555
M37068	8.800	SP1543	1.166	SP1838DU	14.630	SP2175	9.169	SP2423	2.555
M37085	9.662	SP1548	1.266	SP1838DU	14.800	SP2178	4.030F	SP2424	2.555
M37115	9.662	SP1548	8.079	SP1838DV	14.630	SP2183	15.290	SP2426	8.153
M37125	12.248	SP1548	8.112	SP1838DV	14.800	SP2192	12.811	SP2427	10.701
M37135	8.800	SP1548	8.143	SP1838DW	14.630	SP2192	14.691	SP2427	10.829

HOLDEN "LH" PARTS CATALOGUE

PART No.	GROUP	PART No.	GROUP	PART No.	GROUP	PART No.	GROUP	PART No.	GROUP
SP2427	4.038U	SP2605	11.388	VS10574	4.907	VS10906	3.737	VS11795	3.793
SP2429	12.112	SP2614	12.184	VS10575	4.907	VS10907	3.737	VS11797	3.795
SP2429	12.114	SP2614	12.237	VS10576	4.907	VS10910	3.731	VS11797	3.795
SP2434	0.277	VS10202	2.372	VS10577	4.903	VS10911	3.731	VS11799	3.789
SP2435	2.589	VS10204	2.381	VS10578	4.907	VS10912	3.797	VS11800	3.792
SP2436	2.586	VS10205	2.388	VS10579	4.908	VS10914	3.796	VS11801	3.764
SP2437	2.555	VS10206	2.388	VS10604	5.548	VS10915	3.798	VS11802	3.764
SP2438	12.116	VS10210	2.364	VS10606	5.548	VS10916	3.778	VS11803	3.763
SP2440	1.266	VS10211	2.381	VS10608	5.555	VS10917	3.799	VS11812	3.736
SP2443	8.132	VS10215	2.100	VS10657	10.150	VS10922	3.748	VS11813	3.735
SP2443	8.304	VS10280	2.049	VS10664	4.908	VS10971	2.049	VS11814	3.735
SP2443	12.114	VS10280	10.150	VS10806	3.913	VS10972	2.085	VS11815	3.734
SP2443	12.116	VS10285	10.150	VS10812	2.052	VS10973	2.085	VS11818	3.788
SP2450	2.515	VS10286	10.150	VS10813	2.108	VS10974	3.779	VS11843	10.150
SP2452	5.382	VS10305	2.400	VS10814	2.108	VS10975	4.908	VS11844	10.150
SP2452	6.008	VS10306	2.381	VS10815	2.086	VS10976	2.374	VS11845	10.150
SP2459	4.019A	VS10369	5.517	VS10816	2.087	VS10982	2.393	VS11848	10.150
SP2459	4.019B	VS10370	5.542	VS10817	2.087	VS10982	2.410	VS11849	10.150
SP2459	4.020A	VS10371	5.511	VS10818	2.087	VS10986	2.389	VS11852	10.150
SP2459	4.020B	VS10372	5.518	VS10819	2.087	VS10988	2.381	VS11858	10.150
SP2459	4.040U	VS10373	5.511	VS10820	2.087	VS10992	2.385	VS11859	10.150
SP2462	9.779	VS10374	5.543	VS10821	2.087	VS11002	2.410	VS11871	2.087
SP2466	9.779	VS10375	5.543	VS10822	2.100	VS11038	3.748	VS11872	2.087
SP2478	9.278	VS10392	5.510	VS10823	2.100	VS11086	2.102	VS11873	2.087
SP2495	8.132	VS10393	5.527	VS10823	2.102	VS11087	2.102	VS11874	2.083
SP2495	12.112	VS10432	3.755	VS10824	2.100	VS11089	2.080	VS11875	2.051
SP2495	12.114	VS10433	3.749	VS10824	2.102	VS11090	2.102	VS11876	2.052
SP2495	12.116	VS10437	3.729	VS10826	2.096	VS11091	2.077	VS11877	2.053
SP2496	6.103	VS10439	3.797	VS10828	2.083	VS11092	2.077	VS11878	2.052
SP2499	7.836	VS10440	3.797	VS10832	2.077	VS11094	2.279	VS11881	2.087
SP2500	3.521	VS10442	3.796	VS10841	2.362	VS11146	2.085	VS11882	2.087
SP2501	15.286	VS10443	3.771	VS10842	2.362	VS11151	3.778	VS11883	2.085
SP2501	15.306	VS10444	3.798	VS10843	2.362	VS11170	4.908	VS11885	2.101
SP2503	3.202	VS10445	3.773	VS10844	2.362	VS11171	4.908	VS11887	2.041
SP2504	4.035F	VS10446	3.776	VS10845	2.393	VS11172	4.906	VS11888	2.041
SP2505	7.836	VS10447	3.779	VS10846	2.393	VS11176	4.907	VS11911	3.758
SP2505	7.852	VS10448	3.779	VS10849	2.372	VS11177	4.907	VS11918	4.667
SP2511	1.266	VS10456	3.799	VS10851	2.389	VS11178	4.907	VS11926	4.666
SP2511	8.126	VS10457	3.799	VS10852	2.389	VS11185	4.904	VS11927	4.668
SP2512	2.342	VS10458	3.799	VS10853	2.389	VS11205	6.255	VS11928	5.020
SP2512	2.555	VS10460	3.789	VS10854	2.381	VS11210	6.809	VS11931	5.020
SP2518	2.810	VS10461	3.763	VS10855	2.379	VS11211	6.809	VS11950	10.150
SP2525	8.075	VS10463	3.792	VS10856	2.385	VS11212	6.809	VS11951	10.150
SP2530	7.632	VS10464	3.780	VS10857	2.385	VS11214	6.524	VS11955	10.150
SP2540	9.600	VS10467	3.758	VS10858	2.384	VS11218	6.234	VS11964	2.043
SP2555	2.555	VS10468	3.758	VS10861	2.385	VS11305	10.150	VS11969	2.108
SP2561	0.837	VS10472	3.793	VS10863	2.385	VS11307	3.754	VS11970	2.052
SP2561	4.636	VS10517	3.781	VS10865	2.382	VS11321	3.748	VS11971	2.063
SP2561	6.008	VS10518	3.759	VS10866	2.367	VS11322	3.748	VS11973	2.102
SP2563	4.156U	VS10519	3.760	VS10867	2.367	VS11648	3.754	VS12012	2.381
SP2566	9.280	VS10520	3.734	VS10868	2.368	VS11649	3.754	VS12019	2.289
SP2569	0.859	VS10522	3.729	VS10869	2.410	VS11737	2.389	VS12020	2.289
SP2571	8.130	VS10523	3.748	VS10870	2.410	VS11738	2.389	VS12023	2.285
SP2571	12.940	VS10526	3.767	VS10883	3.757	VS11763	2.316	VS12024	2.286
SP2572	8.130	VS10527	3.760	VS10886	5.510	VS11765	2.280	VS12026	2.316
SP2572	12.940	VS10528	3.779	VS10893	3.799	VS11767	2.306	VS12027	2.307
SP2575	3.275	VS10529	3.779	VS10894	3.791	VS11771	2.307	VS12028	2.315
SP2583	3.430	VS10530	3.764	VS10895	3.792	VS11773	2.298	VS12038	2.291
SP2589	6.008	VS10560	10.150	VS10897	3.788	VS11776	2.297	VS12040	2.291
SP2597	9.171	VS10562	10.150	VS10899	3.793	VS11789	4.686	VS12061	3.791

NUMERICAL INDEX

HOLDEN "LH" PARTS CATALOGUE

PART No.	GROUP	PART No.	GROUP	PART No.	GROUP	PART No.	GROUP	PART No.	GROUP
VS12062	3.725	VS12393	3.757	VS12488	3.731	VS12579	2.080	VS12736	3.791
VS12069	3.727	VS12394	3.754	VS12489	3.741	VS12580	2.100	VS12739	3.775
VS12070	3.752	VS12395	3.754	VS12490	3.729	VS12598	5.527	VS12742	5.018
VS12076	3.727	VS12396	3.765	VS12491	3.734	VS12604	5.510	VS12744	2.515
VS12081	2.077	VS12399	2.515	VS12494	4.902	VS12606	5.018	VS12745	2.515
VS12083	2.316	VS12400	2.515	VS12496	4.902	VS12607	5.020	VS12746	2.515
VS12084	2.307	VS12401	2.515	VS12499	2.085	VS12641	3.757	VS12747	2.515
VS12085	2.307	VS12402	2.515	VS12500	2.102	VS12642	3.752	VS12748	2.515
VS12088	2.289	VS12403	2.515	VS12501	6.524	VS12656	3.763	VS12749	2.515
VS12089	2.289	VS12404	2.515	VS12502	6.524	VS12657	3.763	VS12750	2.515
VS12090	2.310	VS12405	2.515	VS12503	6.525	VS12658	3.797	VS12751	3.788
VS12091	2.289	VS12406	2.515	VS12504	6.807	VS12659	3.791	VS12752	3.796
VS12092	2.307	VS12407	2.515	VS12505	3.767	VS12659	3.797	VS12753	3.729
VS12096	4.265U	VS12408	2.515	VS12506	3.767	VS12660	3.796	VS12754	3.767
VS12121	3.795	VS12409	2.515	VS12508	6.230	VS12661	3.796	VS12755	3.767
VS12183	2.381	VS12410	2.515	VS12509	6.235	VS12662	3.793	VS12756	3.767
VS12251	10.150	VS12411	2.515	VS12510	6.235	VS12662	3.796	VS12757	3.748
VS12319	2.305	VS12413	2.515	VS12511	6.235	VS12663	3.796	VS12758	3.748
VS12320	2.307	VS12414	2.515	VS12527	6.807	VS12667	3.786	VS12760	3.727
VS12321	2.279	VS12415	4.342U	VS12529	2.305	VS12670	3.789	VS12762	3.724
VS12322	2.297	VS12415	4.342A	VS12530	2.307	VS12671	3.789	VS12764	1.219
VS12323	2.289	VS12415	4.342F	VS12531	2.279	VS12672	3.763	VS12765	1.219
VS12324	2.289	VS12416	2.515	VS12532	2.297	VS12673	3.765	VS12773	2.385
VS12325	2.289	VS12417	2.515	VS12533	2.289	VS12674	3.781	VS12774	2.381
VS12326	2.291	VS12418	4.342U	VS12535	2.291	VS12675	3.788	VS12775	2.382
VS12327	2.285	VS12418	4.342F	VS12536	2.500	VS12676	3.788	VS12776	2.367
VS12328	2.310	VS12419	4.342U	VS12537	3.748	VS12678	3.788	VS12778	2.384
VS12330	2.279	VS12419	4.342F	VS12539	3.731	VS12679	3.788	VS12779	2.410
VS12338	2.305	VS12421	4.342B	VS12540	3.753	VS12680	3.776	VS12780	9.779
VS12340	2.410	VS12423	4.902	VS12541	3.731	VS12681	3.735	VS12781	9.779
VS12342	2.381	VS12424	4.902	VS12542	3.731	VS12682	3.735	VS12782	9.779
VS12343	2.381	VS12425	6.803	VS12543	3.748	VS12683	3.793	VS12783	9.779
VS12344	2.389	VS12426	6.525	VS12544	3.725	VS12684	3.734	VS12784	9.280
VS12345	2.372	VS12427	6.235	VS12545	3.725	VS12686	3.748	VS12785	9.779
VS12346	2.400	VS12429	6.524	VS12546	3.724	VS12687	3.741	VS12786	9.779
VS12347	2.362	VS12432	6.809	VS12547	3.725	VS12688	3.741	VS12788	9.779
VS12348	2.362	VS12433	6.809	VS12548	3.725	VS12689	3.741	VS12789	9.280
VS12351	2.389	VS12434	6.809	VS12549	3.783	VS12689	3.742	VS12789	9.779
VS12352	2.385	VS12435	6.809	VS12550	3.752	VS12692	3.749	VS12790	9.779
VS12365	10.150	VS12436	6.255	VS12551	3.727	VS12693	3.771	VS12791	9.779
VS12366	10.150	VS12438	6.235	VS12552	3.727	VS12694	3.760	VS12792	9.779
VS12367	10.150	VS12439	6.807	VS12553	3.734	VS12695	3.760	VS12793	9.779
VS12368	10.150	VS12440	6.803	VS12554	3.731	VS12696	5.020	VS12794	9.779
VS12372	10.150	VS12441	6.525	VS12555	3.731	VS12697	5.020	VS12796	9.779
VS12373	10.150	VS12446	5.020	VS12556	3.741	VS12699	3.798	VS12797	9.779
VS12374	2.310	VS12447	5.020	VS12557	3.731	VS12709	2.515	VS12798	9.779
VS12376	2.279	VS12448	5.020	VS12558	2.279	VS12718	3.752	VS12799	9.779
VS12377	2.500	VS12449	4.668	VS12559	2.310	VS12725	3.798	VS12800	9.779
VS12378	2.297	VS12450	5.018	VS12560	2.279	VS12726	3.775	VS12801	9.779
VS12380	2.289	VS12451	4.667	VS12561	2.289	VS12727	3.773	VS12802	9.779
VS12381	2.500	VS12466	3.725	VS12562	2.316	VS12728	3.786	VS12803	9.779
VS12382	10.150	VS12467	3.725	VS12568	2.108	VS12729	3.786	VS12804	9.779
VS12383	10.150	VS12468	3.724	VS12569	2.043	VS12730	3.786	VS12805	9.779
VS12384	10.150	VS12470	3.765	VS12570	2.049	VS12731	3.786	VS12806	9.779
VS12385	10.150	VS12472	3.754	VS12571	2.108	VS12732	3.796	VS12807	9.779
VS12386	10.150	VS12473	3.754	VS12572	2.087	VS12733	3.796	VS12808	3.725
VS12388	10.150	VS12475	3.749	VS12573	2.108	VS12734	3.796	VS12823	1.219
VS12389	10.150	VS12476	3.749	VS12574	2.086	VS12735	3.796	VS12980	9.779
VS12390	10.150	VS12477	3.748	VS12576	2.087	VS12736	3.796	VS12982	3.725
VS12392	10.150	VS12487	3.727	VS12578	2.087	VS12737	3.737	VS12983	3.725

HOLDEN "LH" PARTS CATALOGUE

PART No.	GROUP	PART No.	GROUP	PART No.	GROUP	PART No.	GROUP	PART No.	GROUP
VS12984	3.763	43T	2.270	381909	6.168	614731	0.649	638601	0.386
VS12985	3.778	44T	2.270	384220	6.176	614809	0.137	638602	0.386
VS12986	3.725	45T	2.270	402410	6.176	614841	0.659	638641	0.386
VS12987	3.725	432F	2.332	410431	3.028	616042	0.666	640046	0.459
VS12988	3.724	438TS	2.270	412562	0.649	616057	0.666	640355	0.429
VS12989	3.763	456H	2.332	444782	1.928	616183	0.673	640380	0.429
VS12990	3.765	43207	4.408B	444787	4.103B	616239	0.669	640594	0.333
VS12991	3.780	43468	7.243	444819	0.033	616240	0.669	640763	0.429
VS12994	3.727	103868	4.103H	444819	3.265	616522	0.669	642258	0.303
VS12995	3.727	103880	4.103B	453570	4.226U	616800	0.666	642269	0.303
VS12996	3.727	106285	5.400	453570	4.265U	618036	0.096	642284	0.309
VS12997	3.764	113897	5.400	453571	4.265U	618036	0.099	642359	0.310
VS12998	3.776	113897	4.103A	453670	5.518	618036	0.101	642452	0.308
VS12999	3.778	113897	4.103F	454512	1.643	618036	0.103	642478	0.308
VS13001	3.764	114468	4.226U	454649	9.278	618161	0.096	642600	0.309
VS13002	3.778	120214	9.600	454649	9.779	618161	0.099	642718	0.296
VS13003	3.727	120217	3.430	454864	0.429	618161	0.101	642719	0.296
VS13061	2.515	120233	9.171	454975	5.010	618161	0.103	642720	0.296
VS13062	2.515	120361	3.430	455481	4.016U	618310	0.096	642721	0.296
VS13092	3.725	120369	7.370	455481	4.040U	618310	0.099	642845	0.297
VS13094	3.725	120369	4.046B	455490	11.960	618310	0.101	642846	0.297
VS13096	3.754	120369	4.050B	455980	7.852	618310	0.103	642847	0.297
VS13097	3.754	120376	9.600	476737	4.681	618710	0.106	642848	0.297
VS13098	3.757	120380	3.410	476737	4.826	618735	0.106	646338	1.659
VS13099	3.765	120527	4.681	481375	9.275	618760	0.106	646339	1.659
VS13100	3.756	120630	9.220	513975	1.453	622123	0.603	646560	1.659
VS13132	2.515	120667	3.430	513975	4.195U	622415	0.623	646561	1.659
VS13133	2.515	120834	0.679	590849	4.376B	622711	0.616	646587	1.723
VS13134	2.515	122150	9.171	590849	4.376H	622779	0.616	646675	1.723
VS13135	2.515	122181	9.171	591022	4.358A	622941	0.616	646800	1.611
VS13142	3.780	131418	10.262	591022	4.358B	623536	0.629	646805	1.611
VS13144	3.778	141192	0.206	591022	4.358F	623537	0.629	646859	1.610
VS13145	3.754	141202	0.736	591022	4.358H	623538	0.629	646861	1.610
VS13146	3.752	141216	0.033	599119	2.424	623539	0.629	646908	1.724
VS13147	3.737	144542	0.728	599119	2.555	623540	0.629	647776	1.609
VS13148	3.763	145411	4.826	599119	4.685	623542	0.629	648337	1.656
VS13149	3.779	145475	4.128U	604133	0.033	623584	0.629	648401	1.656
VS13150	3.727	145496	6.513	604134	0.033	624158	0.629	648624	1.656
VS13151	3.727	147481	4.265U	606125	0.033	636151	0.519	650428	1.835
VS13152	3.748	147487	4.311H	606564	1.928	636353	0.724	652052	1.426
VS13155	3.783	147489	4.311F	606565	0.209	636377	0.726	652491	1.453
VS13156	3.764	154005	3.796	606576	0.033	636436	0.539	654456	1.758
VS13157	3.783	161755	1.266	606577	0.033	636437	0.539	658060	1.516
VS13158	3.764	161755	8.304	606681	0.033	636438	0.539	658151	1.516
VS13159	3.764	169108	4.103U	606702	1.928	636462	0.539	658310	1.516
VS13160	3.764	169108	4.153U	606710	1.928	636655	0.736	662500	0.683
VS13161	3.764	177730	12.121	606711	1.928	636700	0.726	662501	0.683
VS13162	3.764	180171	0.837	607033	0.269	636775	0.726	662503	0.683
VS13163	3.764	181385	5.400	607455	0.289	636801	0.726	666034	0.861
VS13164	9.662	181669	5.010	607480	0.269	636810	0.724	668170	0.795
VS13170	4.038U	189995	4.009U	607500	0.269	636835	0.726	668257	0.797
VS13171	4.038U	192423	1.050	607583	0.386	636850	0.732	668277	0.796
VS13224	5.018	215723	0.837	607664	0.423	638091	0.206	668635	0.799
VS13315	4.907	215723	4.636	607928	0.413	638182	0.209	669404	0.787
VS13316	4.908	272733	1.265	610479	0.056	638185	0.209	670177	0.679
VS13320	4.908	272846	4.931	614030	0.646	638231	0.207	674880	0.844
VS13321	4.906	273708	2.515	614475	0.728	638232	0.207	684112	0.027
VS13322	4.907	274244	1.516	614653	0.659	638404	0.206	684113	0.027
VS13323	4.902	274517	4.902	614663	0.659	638520	1.837	684232	0.027
42FS	2.270	348402	5.387	614700	0.649	638540	1.837	684287	0.027

NUMERICAL INDEX

HOLDEN "LH" PARTS CATALOGUE

PART No.	GROUP	PART No.	GROUP	PART No.	GROUP	PART No.	GROUP	PART No.	GROUP
684629	0.027	830434	3.779	1198041	9.170	1373122	4.337A	2008240	0.027
705037	0.683	830441	3.766	1194360	1.609	1373122	4.337B	2010112	2.317
705750	0.683	830488	3.782	1194560	4.177U	1373122	4.337F	2010201	0.683
731831	4.205U	830640	3.757	1199080	1.609	1373122	4.337H	2014155	1.723
749005	4.133U	830671	3.767	1202004	2.041	1373122	4.337U	2016501	1.251
749206	4.133U	830732	3.773	1202067	2.100	1409125	0.936	2018051	0.724
766275	3.275	830777	3.775	1202631	2.041	1485553	9.280	2018052	1.656
816031	3.900	830810	3.771	1203014	2.051	1521708	3.931	2018053	1.426
818253	3.929	830825	3.772	1203114	2.043	1521953	3.913	2018075	0.206
818613	3.932	830831	3.765	1203173	2.086	1521985	3.902	2018076	0.206
818618	3.932	830850	3.775	1203215	2.083	1522046	3.922	2018077	0.206
818725	3.910	830852	3.764	1203322	2.049	1522199	3.925	2018077	1.069
818726	3.910	830853	3.764	1203430	2.096	1523093	3.920	2018078	0.206
820410	3.201	830951	3.767	1203800	2.100	1523094	3.903	2018078	1.069
825249	3.727	830958	3.763	1203870	2.077	1523099	3.929	2018100	0.679
826046	3.725	830959	3.763	1204651	2.277	1533669	1.762	2018101	3.430
826047	3.725	830971	3.764	1204726	2.317	1606089	0.094	2018102	1.064
826480	3.766	830975	3.764	1204880	2.277	1606090	0.094	2018110	2.414
826624	3.731	831141	3.731	1204880	9.171	1606091	0.094	2018114	3.900
826725	3.731	831366	3.796	1204881	2.317	1606092	0.094	2024057	0.206
826741	3.734	831400	3.796	1204961	2.317	1606093	0.094	2046056	3.796
826768	3.741	831550	3.796	1205512	2.279	1606230	1.429	2046101	3.763
826777	3.734	831556	3.766	1211032	2.361	1606272	0.010	2048101	0.732
826832	3.731	831682	3.731	1211106	2.410	1606310	0.732	2048276	0.293
826835	3.766	831716	3.766	1212108	2.424	1606346	0.289	2048277	0.293
826839	3.731	831950	3.798	1212140	2.367	1608129	3.901	2048903	3.766
826841	3.731	832342	3.798	1212208	2.382	1608187	3.724	2048903	3.782
826843	3.731	832608	3.786	1212235	2.393	1608210	3.725	2048925	3.766
826845	3.731	832800	3.786	1212378	2.414	1612229	2.384	2056069	3.288
826845	3.798	832801	3.786	1212501	2.424	1612302	2.239	2060275	1.928
826852	3.766	832852	3.786	1212654	2.362	1612306	2.108	2060726	0.033
826961	3.731	838029	0.310	1212707	2.256	1846722	2.895	2064155	1.064
826963	3.731	838538	0.033	1212727	2.371	1964784	2.895	2064201	0.206
826964	3.731	838550	1.069	1212833	2.385	1964785	2.895	2064229	4.081F
826986	3.748	838550	1.251	1239230	0.277	1967685	2.895	2064229	4.081U
828116	3.748	848625	3.430	1239465	1.123	1993404	4.054U	2064230	2.341
828117	3.748	850121	3.265	1239469	1.123	1997037	2.459	2064230	2.342
828441	3.749	850141	3.265	1252506	1.803	2000103	3.430	2064231	2.317
828445	3.726	850143	3.265	1280484	2.555	2000118	0.269	2064231	3.288
828487	3.754	850144	3.265	1288681	2.251	2000118	0.386	2064340	0.027
828504	3.754	850229	3.265	1288682	2.251	2000126	1.064	2064402	0.796
828540	3.757	850236	3.265	1288925	2.041	2000213	0.870	2066102	2.041
828556	3.757	850254	3.265	1334036	1.069	2000215	3.609	2066150	2.277
828575	3.752	850317	3.601	1334693	1.062	2000244	1.064	2066205	0.027
828576	3.752	850622	3.272	1334734	1.079	2000245	2.277	2074075	3.763
828627	3.752	850700	3.270	1336343	1.153	2000418	0.683	2074125	0.206
828628	3.752	850866	3.601	1336560	1.154	2000418	9.171	2074152	0.870
828629	3.752	850991	3.725	1338028	1.246	2000418	4.003U	2074152	2.341
828637	3.752	851804	3.265	1338115	1.251	2000498	0.683	2074152	2.342
828688	3.741	854838	3.611	1338209	1.252	2000498	9.171	2074152	3.288
828758	3.757	858388	2.447	1340071	1.064	2000498	4.003U	2074175	0.027
828759	3.757	858388	4.054U	1340072	1.064	2000508	3.275	2074176	0.683
828774	3.741	907791	4.408H	1340671	1.066	2000610	0.659	2074176	4.003H
828795	3.757	907927	4.355B	1340687	1.066	2002150	3.601	2074176	4.317H
829613	3.763	908058	4.355H	1340850	1.064	2002225	2.041	2076500	0.726
830136	3.767	994033	2.515	1367656	4.019A	2008151	0.679	2076501	4.008H
830181	3.764	994259	9.675	1367656	4.019B	2008151	4.010H	2076513	4.008H
830258	3.767	1018694	2.370	1367656	4.020A	2008153	0.683	2080076	2.041
830284	3.782	1131046	9.170	1367658	4.020B	2008157	1.153	2080241	2.277
830362	3.776	1131047	9.195	1367656	4.040U	2008227	0.683	2080305	3.275

HOLDEN "LH" PARTS CATALOGUE

PART No.	GROUP	PART No.	GROUP	PART No.	GROUP	PART No.	GROUP	PART No.	GROUP
2080305	9.171	2806372	0.099	2807897	4.017A	2809937	3.796	2811532	0.643
2080725	3.764	2806372	0.101	2807897	4.017B	2810247	4.338B	2811533	0.643
2080725	3.766	2806372	0.103	2807914	3.726	2810250	2.361	2811534	0.643
2082101	3.763	2806373	0.096	2808035	3.417	2810251	2.481	2811536	0.643
2082102	1.064	2806373	0.099	2808124	5.510	2810326	12.242	2811537	0.643
2082108	0.027	2806373	0.101	2808133	0.429	2810387	2.041	2811601	10.466
2082110	1.656	2806373	0.103	2808133	3.796	2810483	12.237	2811603	8.036
2084005	0.796	2806374	0.096	2808136	3.720	2810499	4.226U	2811604	8.036
2086206	0.730	2806374	0.099	2808164	3.261	2810537	4.265U	2811625	3.720
2086212	0.206	2806374	0.101	2808182	3.925	2810538	4.265U	2811626	3.720
2086216	0.033	2806374	0.103	2808183	3.901	2810692	0.289	2811627	3.720
2086216	0.683	2806375	0.106	2808189	1.062	2810715	5.504	2811648	4.650
2086327	0.666	2806376	0.106	2808258	9.640	2810716	5.504	2811649	4.650
2088008	1.609	2806377	0.106	2808367	1.069	2810747	12.116	2811650	4.651
2088009	1.837	2806379	0.106	2808386	0.736	2810771	7.240	2811651	4.651
2091011	1.453	2806380	0.106	2808570	4.337B	2810932	4.003A	2811667	8.013
2091016	1.611	2806381	0.106	2808656	5.813	2810975	5.871	2811680	1.659
2091041	1.611	2806382	0.616	2808757	4.681	2811014	4.265U	2811710	12.966
2091505	3.741	2806383	0.616	2808856	6.008	2811024	4.035F	2811711	12.966
2092300	3.782	2806384	0.094	2808874BA	15.520	2811032	4.045F	2811713	12.966
2092300	3.798	2806385	0.094	2808874DC	15.520	2811054	1.071	2811724	11.581
2865962	10.569	2806386	0.094	2808874DE	15.520	2811056	0.289	2811742	6.758
2765728	4.383B	2806388	0.094	2808874DF	15.520	2811057	0.289	2811792	0.095
2765729	4.384B	2806389	0.094	2808874DG	15.520	2811059	1.429	2811792	0.098
2765797	4.384B	2806390	0.094	2808874DR	15.520	2811061	0.536	2811792	0.100
2765798	4.403B	2806399	0.616	2808874DU	15.520	2811165	10.571	2811792	0.102
2805057	4.133U	2806400	0.616	2808874DV	15.520	2811196	4.005U	2811795	0.105
2805059	4.133U	2806521	4.035F	2808874DW	15.520	2811197	4.127U	2811797	4.265U
2805297	0.934	2806603	10.529	2808877BA	15.520	2811198	11.581	2811857	8.036
2805347	1.153	2806617	4.081F	2808877DC	15.520	2811212	10.466	2811858	3.616
2805399	5.001	2806617	4.081U	2808877DE	15.520	2811214	0.861	2811858	3.706
2805400	5.001	2806691	0.413	2808877DF	15.520	2811253	11.589	2811859	3.616
2805402	3.720	2806758	3.202	2808877DG	15.520	2811255	11.589	2811859	3.706
2805461	3.720	2806776	8.800	2808877DR	15.520	2811258	11.588	2811918	8.015
2805499	4.009F	2806877	9.190	2808877DU	15.520	2811259	3.270	2811919	8.015
2805510	6.164	2806911	10.529	2808877DV	15.520	2811327	4.030F	2811924	2.188
2805545	5.001	2806912	10.529	2808877DW	15.520	2811328	4.030F	2811931	0.333
2805546	5.001	2806962	11.925	28088958	2.041	2811329	4.030F	2811932	0.426
2805716	5.382	2806963	11.928	2809014	5.504	2811342	4.015F	2811933	0.429
2805728	6.164	2807028	8.076	2809015	5.504	2811344	4.015F	2812045	3.796
2805794	0.423	2807045	12.269	2809100	3.410	2811354	0.646	2812046	3.796
2805795	0.443	2807098	5.382	2809115	6.233	2811360	11.589	2812082	4.035F
2806018	5.382	2807098	6.170	2809189	7.545	2811366	11.589	2812091	8.085
2806019	5.382	2807154	5.804	2809219	6.164	2811370	0.646	2812095	6.163
2806046	5.382	2807236	2.361	2809290	4.309F	2811394	0.033	2812096	6.163
2806047	5.382	2807323	4.610	2809297	1.516	2811396	0.033	2812097	6.163
2806068	4.628	2807323	10.270	2809447	10.587	2811401	10.506	2812102	5.816
2806368	0.096	2807323	11.950	2809447	12.212	2811401	10.507	2812103	5.822
2806368	0.099	2807323	11.960	2809457	4.412F	2811401	10.556	2812104	5.816
2806368	0.101	2807324	4.610	2809464	2.481	2811401	10.563	2812173	0.269
2806368	0.103	2807324	10.270	2809543	11.573	2811402	0.629	2812174	0.269
2806369	0.096	2807324	11.950	2809600	4.316F	2811403	0.629	2812209	1.159
2806369	0.099	2807324	11.960	2809727	4.304F	2811404	0.629	2812256	4.016U
2806369	0.101	2807325	4.610	2809789	1.426	2811405	0.629	2812270	1.159
2806369	0.103	2807325	10.270	2809791	1.656	2811407	0.629	2812347	0.629
2806370	0.096	2807325	11.950	2809917	3.793	2811408	0.629	2812348	0.629
2806370	0.099	2807325	11.960	2809918	3.796	2811409	0.629	2812351	0.629
2806370	0.101	2807707	4.019A	2809920	3.797	2811410	0.629	2812352	0.629
2806370	0.103	2807707	4.019B	2809921	3.796	2811471	4.265U	2812400	9.171
2806372	0.096	2807752	2.424	2809922	3.796	2811531	0.643	2812459	1.062

NUMERICAL INDEX

HOLDEN "LH" PARTS CATALOGUE

PART No.	GROUP	PART No.	GROUP	PART No.	GROUP	PART No.	GROUP	PART No.	GROUP
2812461	0.673	2813559DD	4.009U	2814806	4.030F	2816442	4.177U	2817592	0.096
2812735	11.634	2813559DG	4.009A	2814815	9.275	2816491	4.158U	2817592	0.099
2812760	0.289	2813559DG	4.009B	2814838	9.171	2816507	4.177U	2817592	0.101
2812811	2.188	2813559DG	4.009U	2814839	9.171	2816582	11.925	2817592	0.103
2813022	10.475	2813559DS	4.009A	2814840	2.317	2816690	0.852	2817593	0.096
2813023	10.475	2813559DS	4.009B	2814841	9.171	2816753	0.206	2817593	0.099
2813028	10.475	2813559DS	4.009U	2814844	9.171	2816766	0.830	2817593	0.101
2813029	10.475	2813559DX	4.009A	2814845	1.066	2816796	0.830	2817593	0.103
2813033	3.720	2813559DX	4.009B	2814877	4.212U	2816801	15.292	2817594	0.096
2813176	4.019A	2813559DX	4.009U	2814887	4.030F	2816851	0.839	2817594	0.099
2813176	4.019B	2813559DY	4.009A	2814892	9.278	2816860	4.931	2817594	0.101
2813229	5.809	2813559DY	4.009B	2814897	9.779	2816882	4.265U	2817594	0.103
2813324	9.779	2813559DY	4.009U	2814941	4.010F	2816892	2.824	2817595	0.106
2813325	9.779	2813814	5.803	2815102	1.659	2816950	10.185	2817596	0.106
2813372	0.616	2813815	5.803	2815103	12.248	2816960	7.347	2817597	0.106
2813373	0.616	2813958	4.020B	2815193	7.370	2816961	7.347	2817599	0.106
2813378	0.616	2813961	4.019B	2815207	3.260	2816966	15.292	2817600	0.106
2813379	0.616	2814030	4.019A	2815222	4.054U	2816967	4.015F	2817601	0.106
2813385	2.447	2814030	4.019B	2815244	7.633	2816985	4.015U	2817627	4.279U
2813401	0.629	2814030	4.020A	2815269	1.429	2816992	9.662	2817631	4.265U
2813402	0.629	2814030	4.020B	2815271	2.697	2817008	13.092	2817632	4.265U
2813403	0.629	2814030	4.040U	2815300	8.304	2817018	4.040U	2817633	4.265U
2813404	0.629	2814031	4.019A	2815381	0.852	2817021	0.852	2817634	4.265U
2813405	0.629	2814031	4.019B	2815462	0.033	2817027	4.006U	2817704	15.293
2813406	0.629	2814031	4.020A	2815464	0.033	2817028	4.006U	2817736	4.009F
2813407	0.629	2814031	4.020B	2815465	0.033	2817074	4.006U	2817737	4.009F
2813473	1.219	2814031	4.040U	2815486	10.500	2817097	4.016U	2817738	5.002
2813475	1.219	2814033	4.019A	2815487	10.500	2817133	4.040U	2817773	4.003U
2813478	1.219	2814033	4.019B	2815497	5.017	2817149	0.683	2817774	4.003U
2813489	4.418F	2814033	4.020A	2815499	5.017	2817162	4.006U	2817775	4.003U
2813490	4.395F	2814033	4.020B	2815522	3.163	2817163	4.010U	2817776	4.003U
2813491	4.415F	2814033	4.040U	2815574	3.710	2817164	6.513	2817777	4.003U
2813492	4.415F	2814047	3.451	2815587	0.659	2817218	4.040U	2817778	4.003U
2813493	4.403F	2814128	2.317	2815681	10.516	2817224	4.265U	2817779	4.003U
2813496	4.421F	2814288	4.265U	2815702	9.275	2817225	4.265U	2817866	13.090
2813497	4.421F	2814293	4.265U	2815712	9.275	2817276	4.015F	2817867	13.090
2813500	4.418F	2814294	4.265U	2815872	2.041	2817277	15.293	2817874	4.342U
2813501	4.311F	2814295	4.265U	2815873	2.041	2817345	6.509	2817874	4.342A
2813504	4.317F	2814312	4.265U	2815887	1.652	2817360	4.294U	2817874	4.342F
2813506	4.303F	2814462	10.219	2815888	1.653	2817426	4.686	2817884	2.361
2813507	4.318F	2814463	10.219	2815893	9.644	2817464	11.925	2818020	10.187
2813511	4.311F	2814480	4.431A	2815916	3.451	2817539	10.185	2818021	10.187
2813513	4.317F	2814481	4.433A	2815952	2.555	2817581	0.094	2818022	10.187
2813514	4.309F	2814620	10.527	2816032	0.852	2817582	0.094	2818034	2.555
2813515	4.380F	2814701	2.897	2816049	9.171	2817583	0.094	2818038	4.256U
2813517	4.419F	2814702BA	2.897	2816109	5.382	2817585	0.094	2818076	0.033
2813519	4.432F	2814702DD	2.897	2816312	2.822	2817586	0.094	2818079	0.033
2813520	4.309F	2814702DG	2.897	2816419	4.177U	2817587	0.094	2818112	4.265U
2813521	4.311F	2814702DS	2.897	2816422	4.177U	2817588	0.096	2818166	9.220
2813522	4.419F	2814702DX	2.897	2816423	4.177U	2817588	0.099	2818166	9.779
2813525	4.418F	2814702DY	2.897	2816426	4.158U	2817588	0.101	2818184	15.292
2813527	4.311F	2814721	5.001	2816427	4.158U	2817588	0.103	2818195	4.041U
2813531	0.659	2814722	5.001	2816428	4.158U	2817589	0.096	2818206	4.658
2813550	2.195	2814723	5.150	2816429	4.187U	2817589	0.099	2818388	9.215
2813553	6.518	2814737	4.626	2816432	4.153U	2817589	0.101	2818390	4.103U
2813559BA	4.009A	2814738	0.683	2816433	4.153U	2817589	0.103	2818391	4.103U
2813559BA	4.009B	2814739	9.171	2816434	4.153U	2817590	0.096	2818406	3.616
2813559BA	4.009U	2814753	0.206	2816435	4.177U	2817590	0.099	2818406	3.706
2813559DD	4.009A	2814771	0.027	2816438	4.177U	2817590	0.101	2818408	10.268
2813559DD	4.009B	2814798	3.900	2816441	4.177U	2817590	0.103	2818456	9.779

HOLDEN "LH" PARTS CATALOGUE

PART No.	GROUP	PART No.	GROUP	PART No.	GROUP	PART No.	GROUP	PART No.	GROUP
2818466	11.561	2819521	0.629	2820507	4.156U	2822978	2.682	2823449	12.805
2818641	9.211	2819522	0.629	2820513	9.280	2822979	2.684	2823451	12.805
2818641	9.779	2819523	0.629	2820528	4.433F	2822994	6.760	2823457	5.420
2818652	4.015F	2819524	0.629	2820530	5.110	2823082	5.855	2823461	6.307
2818707	12.121	2819525	0.629	2820531	5.110	2823163	12.982	2823465	12.972
2818746	8.132	2819526	0.629	2820532	5.110	2823200	12.982	2823484	3.001
2818819	9.170	2819527	0.629	2820533	5.110	2823201	12.982	2823532	12.941
2818897	3.798	2819528	0.629	2820681	4.163U	2823207	12.984	2823533	12.941
2818929	0.519	2819529	0.629	2820682	4.030F	2823208	12.984	2823539	5.382
2818984	9.276	2819530	0.629	2820727	3.265	2823213BA	10.203	2823540	12.940
2818985	9.276	2819531	0.629	2820743	4.265U	2823213DC	10.203	2823541	12.940
2819001	4.030F	2819532	0.629	2820777	4.265U	2823213DE	10.203	2823599	10.222
2819067	5.387	2819589	3.704	2820778	4.265U	2823213DF	10.203	2823607	0.852
2819068	5.387	2819590	3.704	2820816	1.251	2823213DG	10.203	2823619	0.852
2819098	0.643	2819591	3.704	2820818	3.265	2823213DR	10.203	2823622	12.956
2819099	0.643	2819593	3.265	2820823	10.187	2823213DU	10.203	2823623	12.956
2819100	0.643	2819595	6.509	2820830	3.260	2823213DV	10.203	2823628	12.811
2819101	0.643	2819605	4.054U	2820844	2.424	2823213DW	10.203	2823629	12.811
2819164	10.466	2819696	0.643	2820848	9.220	2823214BA	10.203	2823630	3.202
2819165	10.466	2819697	0.643	2820857	4.256U	2823214DC	10.203	2823632	0.839
2819186	9.662	2819698	0.643	2820868	4.265U	2823214DE	10.203	2823633	11.200
2819188	9.662	2819699	0.643	2820888	4.233U	2823214DF	10.203	2823651	0.830
2819189	9.662	2819720	5.017	2820889	4.265U	2823214DG	10.203	2823651	4.625
2819190	9.662	2819724	5.017	2820892	9.779	2823214DR	10.203	2823661	2.727
2819191	9.662	2819726	5.018	2820899	3.701	2823214DU	10.203	2823667	4.223U
2819239	14.860	2819728	5.018	2820930	0.423	2823214DV	10.203	2823685	12.811
2819376	2.041	2819807	4.054U	2820994	4.158U	2823214DW	10.203	2823686	12.811
2819377	2.041	2819858	9.600	2820995	4.153U	2823240	5.382	2823769	10.563
2819454	0.269	2819859	9.600	2821449	4.591	2823241	5.382	2823776	12.940
2819457	0.269	2819861	9.600	2822013	8.130	2823282	2.727	2823803	4.651
2819458	0.289	2819950	4.655	2822025	0.643	2823317	12.810	2823808	13.090
2819462	0.095	2820063	0.852	2822026	0.643	2823320	12.895	2823821	13.090
2819462	0.098	2820067	0.852	2822027	0.643	2823321	12.895	2823826	10.701
2819462	0.100	2820067	4.658	2822028	0.643	2823322	12.895	2823827	10.701
2819462	0.102	2820102	1.219	2822057	1.219	2823323	12.895	2823829	12.944
2819465	0.095	2820103	1.219	2822065	4.177U	2823326	12.913	2823830	12.944
2819465	0.098	2820110	4.265U	2822163	4.006U	2823327	12.913	2823836	12.971
2819465	0.100	2820111	2.361	2822253	4.265U	2823328	12.913	2823840	1.064
2819465	0.102	2820197	1.219	2822287	15.292	2823329	12.913	2823841	1.064
2819468	0.105	2820198	1.219	2822340	7.632	2823345	2.726	2823850	0.269
2819471	0.105	2820213	4.005U	2822485	8.800	2823354	2.731	2823851	0.269
2819472	1.429	2820214	4.005U	2822614	2.819	2823356	12.491	2823878	5.382
2819473	1.159	2820229	4.256U	2822620	9.275	2823357	12.491	2823879	5.382
2819474	1.159	2820230	4.256U	2822621	9.220	2823392	12.952	2823880	12.955
2819505	0.629	2820231	4.256U	2822622	9.220	2823424	1.064	2823881	12.955
2819506	0.629	2820232	4.256U	2822627	9.281	2823429	12.804	2823903	10.741
2819507	0.629	2820240	0.852	2822635	4.038U	2823430	12.804	2823904	10.741
2819508	0.629	2820241	0.852	2822638	11.561	2823431	12.805	2823932	10.307
2819509	0.629	2820272	9.658	2822639	11.561	2823432	12.805	2823935	12.075
2819510	0.629	2820284	4.038U	2822640	11.573	2823433	12.805	2823936	12.075
2819511	0.629	2820285	4.038U	2822709	9.220	2823434	12.805	2823939	6.008
2819512	0.629	2820286	4.038U	2822798	2.270	2823435	12.805	2823974	10.829
2819513	0.629	2820358	12.030	2822917	4.006F	2823436	12.805	2823975	10.829
2819514	0.629	2820411	12.030	2822933	4.103A	2823437	12.805	2823979	10.696
2819515	0.629	2820439	0.787	2822944	4.196U	2823438	12.805	2823980	10.696
2819516	0.629	2820471	3.260	2822947	3.260	2823439	12.803	2823981	1.108
2819517	0.629	2820472	3.260	2822948	3.260	2823441	12.807	2823985	0.830
2819518	0.629	2820473	3.260	2822976	2.679	2823442	6.761	2823996	10.681
2819519	0.629	2820504	2.270	2822977	2.679	2823445	10.230	2823997	10.681
2819520	0.629	2820505	2.270			2823447	10.230	2823999	3.001

NUMERICAL INDEX

HOLDEN "LH" PARTS CATALOGUE

PART No.	GROUP	PART No.	GROUP	PART No.	GROUP	PART No.	GROUP	PART No.	GROUP
2824003	12.940	2824321	12.803	2824540	12.984	2824845	2.342	2825143DV	14.762
2824004	12.940	2824322	12.803	2824541	1.073	2824847	2.341	2825143DW	14.762
2824005	4.050A	2824327	6.761	2824550	10.550	2824861	9.779	2825158	12.112
2824006	4.046A	2824332	13.090	2824551	12.980	2824864	9.211	2825159	12.112
2824007	4.020A	2824336	6.168	2824553	1.069	2824869	9.779	2825184	4.265U
2824008	4.019A	2824337	6.168	2824554	10.152	2824874	4.625	2825188	4.829
2824011	9.644	2824342	7.831	2824560	4.342 U	2824878	7.503	2825213	3.163
2824013	9.644	2824344	9.779	2824560	4.342A	2824879	12.981	2825223	10.185
2824015	2.679	2824347	3.609	2824560	4.342F	2824882	4.625	2825228	10.694
2824016	2.679	2824348	3.705	2824564	2.485	2824887	0.795	2825229	10.694
2824017	2.682	2824349	13.090	2824574	2.515	2824888	10.791	2825230	1.159
2824021	0.852	2824350	13.090	2824575	2.515	2824889	10.791	2825232	10.710
2824029	12.184	2824355	12.938	2824577	12.491	2824893	9.779	2825233	10.710
2824030	12.184	2824356	12.938	2824578	12.491	2824895BA	15.024	2825236	4.826
2824035	12.972	2824362	4.649	2824582	12.971	2824895DD	15.024	2825238	8.154
2824036	12.972	2824363	12.948	2824583	12.971	2824895DG	15.024	2825271	3.731
2824038	3.110	2824364	12.948	2824584	10.159	2824895DS	15.024	2825280	7.345
2824059	0.844	2824366	11.634	2824585	2.555	2824906	2.895	2825280	8.823
2824076	2.555	2824370	11.175	2824603	10.701	2824918	10.827	2825323BA	2.830
2824077	12.980	2824371	11.179	2824604	10.701	2824919	10.827	2825341	10.159
2824078	12.980	2824374	6.168	2824608	2.486	2824934	8.079	2825342	10.159
2824091	10.307	2824375	6.508	2824609	4.015U	2824939	10.512	2825343	10.147
2824092	10.307	2824376	6.508	2824614	9.127	2824940	10.512	2825345	10.159
2824101	3.003	2824377	10.460	2824620	7.836	2824946	10.150	2825365	4.081F
2824103	3.003	2824378	10.460	2824621	7.836	2824959	9.662	2825365	4.081U
2824104	3.003	2824379	7.831	2824626	10.529	2824984	10.506	2825377	10.694
2824105	3.001	2824380	10.506	2824627	10.550	2825008CY	14.655	2825388	2.822
2824110	6.758	2824386	4.625	2824628	10.550	2825009DD	14.655	2825404	2.822
2824111	6.758	2824402	11.611	2824645	11.628	2825009DG	14.655	2825410	10.150
2824116	10.507	2824403	11.611	2824649	6.758	2825009DS	14.655	2825419	2.682
2824120	0.852	2824404	11.611	2824651	12.982	2825019	2.274	2825420	2.682
2824123	2.333	2824409	11.629	2824652	12.982	2825034	10.822	2825446	5.441
2824124	2.333	2824444	10.466	2824653	2.700	2825041	10.710	2825480	2.275
2824131	7.836	2824451	4.265U	2824663	7.836	2825057	7.503	2825487	0.886
2824142	12.972	2824453	4.265U	2824664	7.836	2825058	7.503	2825504	6.758
2824143	12.972	2824456	10.466	2824670	12.971	2825063	2.274	2825506BA	15.306
2824211	12.184	2824457	10.466	2824678	10.685	2825078	8.798	2825506DD	15.306
2824212	12.184	2824459	10.454	2824679	10.685	2825084	12.944	2825506DE	15.306
2824213	0.831	2824460	10.454	2824681	10.747	2825085	12.944	2825506DG	15.306
2824213	4.626	2824461	10.450	2824682	10.747	2825090	10.563	2825506DS	15.306
2824222	10.456	2824462	10.450	2824697	12.966	2825091	4.265U	2825506DU	15.306
2824223	10.456	2824466	10.529	2824698	12.187	2825131	12.942	2825509	2.810
2824224	12.980	2824467	10.150	2824699	12.187	2825132	12.942	2825515	15.290
2824226	4.041U	2824469	10.159	2824701	11.960	2825139	4.596	2825523	2.830
2824227	4.040U	2824470	10.147	2824703	4.639	2825142CY	14.762	2825528	4.009U
2824233	5.441	2824471	10.159	2824726	7.836	2825142DC	14.762	2825529	7.831
2824241	11.373	2824472	10.563	2824727	7.836	2825142DE	14.762	2825531	2.810
2824246	12.971	2824474	9.709	2824729	11.960	2825142DF	14.762	2825532	7.831
2824247	12.971	2824475	9.709	2824730	10.556	2825142DG	14.762	2825538	15.294
2824254	11.373	2824477	10.159	2824753	6.518	2825142DR	14.762	2825553BA	15.286
2824284	10.466	2824480	10.759	2824760	10.783	2825142DU	14.762	2825553DD	15.286
2824285	10.466	2824481	10.759	2824761	10.783	2825142DV	14.762	2825553DE	15.286
2824297	4.020A	2824482	10.701	2824762	1.270	2825142DW	14.762	2825553DG	15.286
2824298	4.019A	2824483	10.701	2824785	2.728	2825143CY	14.762	2825553DS	15.286
2824303	4.279U	2824515	8.153	2824786	2.728	2825143DC	14.762	2825553DU	15.286
2824308	11.629	2824516	8.153	2824797	7.241	2825143DE	14.762	2825558BA	2.830
2824309	11.629	2824526	6.307	2824800	7.535	2825143DF	14.762	2825558DD	2.830
2824316	12.803	2824534	6.508	2824816	7.870	2825143DG	14.762	2825558DG	2.830
2824319	9.785	2824535	6.508	2824817	7.870	2825143DR	14.762	2825558DS	2.830
2824320	9.785	2824539	12.984	2824830	11.950	2825143DU	14.762	2825558DX	2.830

HOLDEN "LH" PARTS CATALOGUE

PART No.	GROUP	PART No.	GROUP	PART No.	GROUP	PART No.	GROUP	PART No.	GROUP
2825558DY	2.830	2825830DD	15.286	2829940	4.685	2984169	2.555	3472377	2.307
2825576	10.092	2825830DE	15.286	2829941	4.685	2984528	2.555	3472395	2.274
2825577	10.093	2825830DG	15.286	2829963	0.027	3004686	9.779	3472406	2.500
2825577	11.208	2825830DS	15.286	2829987	4.829	3011293	9.779	3472410	2.274
2825578	10.093	2825830DU	15.286	2865032	4.008H	3015492	3.120	3472419	2.274
2825579	10.093	2825836	2.555	2865035	4.008H	3015545	9.215	3472421	2.279
2825580	10.093	2825841	2.555	2865093	4.311H	3016305	9.211	3472429	2.310
2825581	10.093	2825842	2.555	2886929	4.008H	3017086	9.213	3472450	2.297
2825615	4.594	2825843	2.555	2909227	2.316	3022875	9.210	3472451	2.305
2825636	0.830	2825844	2.555	2909232	2.289	3027062	9.215	3472454	2.297
2825642	0.833	2825847	2.555	2909236	2.289	3027134	9.215	3472455	2.298
2825645	0.837	2825848	2.555	2909250	2.310	3028858	3.120	3472457	2.289
2825646	0.830	2825849	2.555	2909321	2.280	3029432	9.195	3472458	2.289
2825647	0.918	2825850	2.555	2909510	2.500	3140600	9.220	3472459	2.305
2825648	0.903	2825869	3.265	2909703	2.291	3140852	9.220	3472460	2.306
2825650	0.846	2825882	0.519	2909703	2.310	3147463	9.213	3474204	2.170
2825651	0.844	2825886	2.810	2909711	2.291	3157804	1.540	3702366	1.609
2825657	11.208	2825904	5.813	2909712	2.280	3176207	7.347	3706737	9.170
2825658	11.208	2825918	1.265	2909714	2.289	3293509	4.357B	3707174	4.412B
2825668	4.592	2825918	12.182	2909715	2.289	3293514	4.103B	3707188	4.412B
2825679	10.187	2825919	1.265	2962243	2.700	3293517	4.380B	3707189	4.412A
2825680	10.187	2825919	12.182	2962243	10.270	3293520	4.430B	3707189	4.412B
2825692	12.942	2825920	1.265	2962243	11.960	3293521	4.433B	3707189	4.413F
2825693	12.942	2825920	12.182	2962243	13.090	3293522	4.433B	3707190	4.412B
2825731	0.929	2825921	1.265	2962243	4.055U	3293526	4.380B	3707191	4.412B
2825732	7.831	2825921	12.182	2962448	2.515	3293532	4.317B	3708146	4.338B
2825736	4.081F	2825922	1.265	2962448	2.555	3293535	4.318B	3708146	4.338H
2825736	4.081H	2825922	12.182	2962448	2.810	3293540	4.105B	3708408	3.403
2825743	5.387	2825923BA	15.286	2962448	2.830	3293541	4.109B	3710497	4.128U
2825754	6.361	2825923DD	15.286	2962448	9.276	3293542	4.311B	3711176	0.309
2825773	6.518	2825923DE	15.286	2962448	11.960	3293543	4.311B	3713379	0.027
2825774	6.518	2825923DG	15.286	2962448	13.090	3293544	4.311B	3717682	4.317A
2825779	6.518	2825923DS	15.286	2962449	2.555	3293545	4.311B	3717682	4.317B
2825780	6.518	2825923DU	15.286	2962449	13.090	3293547	4.303B	3717682	4.317F
2825781BA	14.630	2825925	3.710	2962551	2.555	3293548	4.304B	3717682	4.317U
2825781DD	14.630	2825954	3.720	2962674	2.258	3293549	4.423B	3719206	3.900
2825781DE	14.630	2825988	4.430F	2962679	2.555	3293550	4.421B	3741458	4.356B
2825781DG	14.630	2825996	3.705	2962679	4.055U	3293553	4.423B	3746213	4.317H
2825781DR	14.630	2825997	3.705	2962910	2.555	3296941	4.418B	3749084	0.787
2825781DU	14.630	2825998	3.701	2962965	2.555	3297015	4.382B	3749084	0.852
2825781DV	14.630	2825999	3.704	2962967	2.555	3297018	4.351B	3749084	0.921
2825781DW	14.630	2826000	3.704	2962967	9.276	3297019	4.395B	3749084	4.019A
2825782BA	14.630	2829783	15.292	2962967	4.055U	3299051	4.309B	3749084	4.019B
2825782DD	14.630	2829795	4.103F	2962969	13.090	3299877	4.311B	3749084	4.020A
2825782DE	14.630	2829796	3.521	2962984	2.586	3299883	4.428B	3749084	4.020B
2825782DG	14.630	2829798	3.521	2962984	2.810	3460499	4.008H	3749084	4.035F
2825782DR	14.630	2829801	4.829	2962984	10.270	3460500	4.008H	3749084	4.040U
2825782DU	14.630	2829872	9.709	2962984	13.090	3472002	2.275	3749086	1.246
2825782DV	14.630	2829877	10.261	2965073	9.276	3472018	2.275	3750685	3.163
2825782DW	14.630	2829889	10.759	2965736	2.251	3472311	2.289	3754269	9.281
2825811	12.030	2829904	0.795	2965987	2.258	3472312	2.287	3766603	4.309B
2825821	1.516	2829906	0.844	2973390	13.092	3472314	2.289	3770106	9.281
2825824	5.858	2829910	15.293	2973407	9.276	3472316	2.291	3770112	4.830
2825829BA	15.306	2829918	12.114	2973431	9.276	3472318	2.286	3770598	2.414
2825829DD	15.306	2829918	12.116	2973431	4.055U	3472319	2.285	3774937	3.107
2825829DE	15.306	2829925	6.326	2973603	13.090	3472322	2.291	3775050	4.376A
2825829DG	15.306	2829936	4.685	2977253	2.520	3472324	2.310	3775050	4.376F
2825829DS	15.306	2829937	4.685	2977253	2.555	3472330	2.310	3775052	4.376A
2825829DU	15.306	2829938	4.685	2977763	4.055U	3472350	2.307	3775052	4.376F
2825830BA	15.286	2829939	4.685	2984164	2.555	3472351	2.279	3775061	4.428A

NUMERICAL INDEX

HOLDEN "LH" PARTS CATALOGUE

PART No.	GROUP	PART No.	GROUP	PART No.	GROUP	PART No.	GROUP	PART No.	GROUP
3775061	4.428F	3871649	4.317A	4465224	10.571	5258121	4.128U	5258340	4.265U
3775063	4.423A	3871649	4.317F	4469196	10.571	5258124	4.164U	5258342	4.256U
3775063	4.423B	3884571	3.726	4469197	10.571	5258125	0.683	5258344	4.226U
3775063	4.423F	3888457	9.180	4556605	11.373	5258128	4.158U	5258350	4.153U
3775089	4.382A	3891794	9.280	4556605	11.420	5258129	4.158U	5258351	4.158U
3775089	4.382F	3895904	9.281	4556605	11.611	5258130	4.224U	5258366	4.294U
3784609	4.226U	3895908	9.220	4556605	11.629	5258132	4.128U	5258383	4.256U
3784834	0.626	3895976	9.220	4558184	10.260	5258137	4.158U	5258443	4.265U
3786275	3.120	3896934	0.309	4566746	10.806	5258140	4.226U	5258484	4.317U
3786275	3.163	3901061	2.188	4576655	10.506	5258143	4.226U	5258493	4.337F
3786276	3.003	3901061	10.550	4576655	10.556	5258145	4.265U	5258493	4.337U
3786276	3.120	3901061	12.248	4587931	10.550	5258149	4.279U	5258494	4.337F
3786276	3.163	3901062	2.188	4770719	10.695	5258158	4.177U	5258494	4.337U
3786292	4.317H	3901062	10.550	4780518	12.248	5258159	4.127U	5258509	4.265U
3787240	4.103A	3901062	12.248	4839529	10.559	5258160	4.265U	5258528	4.163U
3788444	1.429	3901063	2.188	4849850	9.275	5258161	4.226U	5258543	4.166U
3789860	0.033	3901063	10.550	4884405	10.553	5258165	4.233U	5258545	4.177U
3789860	0.553	3901063	12.248	4960538	9.215	5258166	4.226U	5258547	4.256U
3789898	3.273	3901064	2.188	4964413	7.347	5258179	4.265U	5258553	4.177U
3790864	1.658	3901064	10.550	4975503	7.345	5258180	4.265U	5258554	4.177U
3792316	9.220	3901064	12.248	5232695	0.459	5258181	4.265U	5258555	4.177U
3792359	9.170	3901065	2.188	5232765	0.459	5258183	4.228U	5258563	4.233U
3798256	0.831	3901065	10.550	5257865	4.383H	5258185	4.233U	5258564	4.233U
3798256	4.626	3901065	12.248	5257866	4.384H	5258186	4.228U	5258566	4.233U
3799830	4.156U	3902292	9.281	5258001	4.166U	5258190	4.251U	5258569	4.228U
3805921	4.256U	3909982	3.459	5258002	4.166U	5258191	4.103U	5258570	4.228U
3813905	4.383H	3911068	0.303	5258004	4.166U	5258193	4.265U	5258572	4.233U
3814026	3.603	3911670	9.180	5258005	4.166U	5258195	4.265U	5258578	4.265U
3814776	9.220	3919812	3.403	5258017	4.163U	5258199	4.318U	5258579	4.265U
3815009	9.220	3922831	10.266	5258019	4.163U	5258202	4.129U	5258581	4.265U
3820840	4.104U	3924414	3.430	5258021	4.189U	5258203	4.129U	5258582	4.265U
3829058	1.762	3927142	0.303	5258025	4.163U	5258204	4.129U	5258584	4.265U
3829086	3.275	3927791	1.064	5258035	4.163U	5258205	4.129U	5258586	4.226U
3829139	4.195U	3932255	4.317U	5258038	4.165U	5258206	4.129U	5258600	4.265U
3829381	9.220	3933330	3.003	5258039	4.165U	5258207	4.129U	5258709	4.433H
3831716	4.309B	3934137	10.266	5258041	4.166U	5258212	4.265U	5258805	4.265U
3835215	8.800	3937781	1.050	5258042	4.166U	5258213	4.265U	5258807	4.265U
3835487	3.275	3942672	9.199	5258043	4.166U	5258215	4.265U	5258809	4.256U
3835665	1.758	3942673	9.220	5258046	4.129U	5258216	4.265U	5258850	4.226U
3835946	0.209	3942764	9.220	5258054	4.177U	5258219	4.226U	5258892	4.233U
3836540	8.800	3947772	1.064	5258055	4.177U	5258240	4.265U	5258939	4.226U
3836710	3.275	3970076	3.120	5258057	4.163U	5258241	4.294U	5258989	4.163U
3836755	0.308	3979727	9.275	5258058	4.163U	5258243	4.265U	5258990	4.163U
3837115	1.610	3980267	0.209	5258062	4.294U	5258244	4.265U	5259609	4.177U
3837324	9.220	3987936	4.354A	5258065	4.177U	5258253	4.279U	5259666	4.233U
3840341	9.195	3987936	4.354F	5258066	4.177U	5258275	0.683	5259667	4.128U
3840818	9.220	4110664	10.556	5258076	4.295U	5258276	0.683	5289527	2.258
3845202	4.383B	4150462	10.466	5258082	4.294U	5258283	4.163U	5290441	2.258
3849840	9.220	4157887	10.783	5258087	4.177U	5258284	4.163U	5297797	2.700
3850525	4.156U	4157887	10.791	5258090	4.129U	5258285	4.163U	5297797	4.055U
3850581	9.171	4158245	10.783	5258091	4.129U	5258286	4.294U	5452315	4.653
3857018	12.966	4158245	10.791	5258093	4.128U	5258289	4.166U	5452322	4.652
3860345	4.337B	4158246	10.783	5258094	4.128U	5258293	4.156U	5452519	4.656
3860346	4.337B	4158246	10.791	5258095	4.153U	5258294	4.156U	5452520	4.655
3861416	9.220	4168122	10.513	5258100	4.127U	5258323	4.166U	5453620	4.654
3862720	0.623	4168122	10.797	5258109	4.166U	5258329	4.256U	5454797	5.158
3864395	9.220	4171918	10.783	5258111	4.166U	5258333	4.265U	5454798	5.158
3866766	0.626	4171918	10.791	5258112	4.166U	5258338	4.265U	5455298	4.667
3869910	4.342H	4304426	11.581	5258116	4.128U	5258338	4.279U	5455421	4.669
3869914	4.338B	4309534	10.466	5258119	4.226U	5258339	4.212U	5455481	4.667

HOLDEN "LH" PARTS CATALOGUE

PART No.	GROUP	PART No.	GROUP	PART No.	GROUP	PART No.	GROUP	PART No.	GROUP
5455487	4.669	6484242	3.415	7036565	3.724	7329902	4.423H	7405138	3.783
5460195	4.654	6484245	3.415	7036741	3.725	7329909	4.430H	7405139	3.787
5462635	4.654	6484435	3.415	7036743	3.748	7330345	4.422H	7405140	3.736
5462637	4.657	6484966	3.410	7037314	3.779	7333586	4.311H	7405140	3.778
5462642	4.657	6486638	3.415	7037316	3.773	7333738	4.316H	7405140	3.783
5463805	4.251U	6556526	9.195	7037317	3.775	7334191	4.433H	7405141	3.778
5464418	4.653	6598831	9.195	7037319	3.762	7334223	4.307H	7405143	3.749
5464424	4.655	6598832	9.195	7037337	3.778	7334418	4.009H	7405144	3.756
5467356	4.656	6599444	9.198	7038167	3.799	7334419	4.006H	7405145	3.784
5574397	1.837	6599445	9.202	7038239	3.799	7334441	4.309H	7405146	3.757
5575416	1.837	6599447	9.195	7038964	3.763	7334971	4.432H	7405147	3.772
5592046	3.906	6599451	9.202	7038967	3.799	7334972	4.432H	7405148	3.765
5592850	3.902	7002117	3.760	7039168	3.725	7377884	14.655	7405153	3.783
5592851	3.921	7002121	3.734	7039188	3.725	7377884	14.685	7405156	3.757
5592852	3.921	7003176	3.734	7040691	3.778	7377884	14.760	7405156	3.775
5593301	3.902	7005109	3.798	7041300	3.725	7377884	14.803	7405158	3.767
5593404	3.904	7005109	3.799	7042457	3.741	7400144	8.077	7405159	3.784
5593866	3.909	7006092	10.550	7043634	3.735	7400162	4.352A	7405160	3.782
5623374	3.909	7011479	3.742	7045823	3.735	7400162	4.352B	7405162	3.787
5651393	3.787	7014699	3.763	7048028	3.780	7400162	4.352F	7405163	3.748
5679626	6.168	7021697	3.130	7048169	3.780	7400169	0.940	7405165	3.729
5679627	6.168	7026138	3.783	7048532	3.741	7400181	5.400	7405165	3.789
5679629	6.168	7026339	3.799	7077093	2.333	7400181	4.103A	7405166	3.763
5679630	6.168	7027270	3.798	7084112	7.243	7400181	4.103F	7405166	3.795
5686837	4.177U	7029087	3.765	7100321	11.373	7400256	5.400	7405167	3.763
5693552	6.168	7029849	3.760	7117968	2.239	7400256	4.317A	7405167	3.795
5694191	6.521	7029862	3.810	7139364	2.384	7400256	4.317F	7405168	3.748
5699603	6.521	7029866	3.789	7139959	12.944	7400279	5.543	7405170	3.775
5887997	9.170	7029899	3.737	7156338	6.530	7400280	5.542	7405171	3.742
5910594	9.198	7029900	3.737	7171275	6.809	7400370	3.754	7405173	3.729
5910745	9.213	7029912	3.783	7175429	8.075	7400393	5.586	7405174	3.741
5914817	9.198	7030677	3.735	7175429	13.092	7400663	0.913	7405562	2.370
6255523	0.626	7030758	3.130	7205937	6.008	7400673	0.914	7405590	2.083
6255641	4.133U	7031105	3.763	7211419	6.524	7401111	1.154	7405604	2.108
6256437	4.764	7031231	3.791	7211458	6.008	7401296	0.033	7405613	2.372
6256636	2.362	7031925	3.799	7216575	6.807	7401304	0.683	7405614	2.372
6257880	4.294U	7031976	3.754	7216579	6.809	7401651	9.276	7405615	2.372
6270078	1.123	7031977	3.754	7308858	9.275	7401727	0.928	7405633	2.316
6288538	2.555	7032324	3.776	7316425	4.316H	7401768	11.811	7405638	2.410
6288539	2.555	7032508	3.787	7316448	4.318H	7401768	11.629	7405645	2.102
6294016	9.276	7033747	3.772	7316456	4.004H	7401998	6.364	7405703	2.280
6294142	2.555	7033751	3.771	7316458	4.380H	7402029	0.870	7405754	5.019
6294643	2.555	7034320	3.806	7316461	4.316H	7402293	2.586	7405970	3.616
6368033	4.628	7034356	3.787	7316463	4.307H	7402561	10.263	7405971	3.616
6397760	6.809	7034522	3.806	7316464	4.307H	7403873	10.556	7406004	0.683
6397761	6.809	7034845	3.806	7316465	4.303H	7404726	0.937	7406323	2.387
6397763	6.809	7034849	3.806	7316466	4.303H	7404734	0.911	7406323	2.500
6413700	3.925	7034850	3.806	7316473	4.003H	7404736	0.912	7406618	2.063
6413712	3.922	7034903	3.788	7316473	4.317H	7405107	3.767	7406701	3.771
6413724	3.926	7034975	3.787	7316476	4.380H	7405109	3.751	7406742	2.385
6413726	3.926	7035130	3.771	7316479	4.003H	7405112	3.773	7406835	2.108
6414278	3.921	7035344	3.780	7316479	4.317H	7405118	3.789	7406859	2.100
6414391	3.921	7035523	3.735	7316529	4.010H	7405120	3.792	7406900	2.387
6415453	3.902	7035772	3.735	7316530	4.010H	7405121	3.792	7406900	2.500
6416345	3.910	7035790	3.748	7316603	4.422H	7405122	3.791	7407400	5.539
6416623	3.920	7036019	3.788	7316892	4.337H	7405124	3.791	7408094	5.460
6420265	3.410	7036021	3.789	7316926	4.103H	7405125	3.791	7408095	5.460
6421976	1.762	7036067	3.798	7322503	4.337H	7405131	3.757	7408096	5.460
6424450	3.415	7036425	3.764	7322506	4.356H	7405133	3.778	7408097	5.460
6424498	3.415	7036430	3.791	7329897	4.412H	7405136	3.784	7408098	5.460

NUMERICAL INDEX

HOLDEN "LH" PARTS CATALOGUE

PART No.	GROUP	PART No.	GROUP	PART No.	GROUP	PART No.	GROUP	PART No.	GROUP
7408099	5.460	7419064	1.928	7420808	5.149	7424617	3.781	7426780	5.105
7408100	5.460	7419195	8.798	7420847	2.087	7424618	3.731	7426781	5.105
7408627	12.186	7419196	10.556	7420850	2.306	7424618	3.781	7426782	5.105
7409160	0.798	7419479	11.373	7420853	2.298	7424631	2.087	7426783	5.045
7409209	7.796	7419526	4.665	7421214	0.636	7424633	2.096	7426790	5.111
7409929	0.910	7419642	4.038U	7421381	10.150	7424642	2.049	7426808	5.045
7409936	4.628	7419667	3.403	7421475	5.504	7424644	2.049	7426874	8.800
7409936	4.636	7419668	3.403	7421634	5.531	7424645	2.049	7426909	1.611
7409949	0.839	7420001	1.429	7421642	5.536	7424647	2.083	7426937	1.723
7409950	0.839	7420004	0.207	7421643	5.536	7424648	2.108	7427343	3.783
7409965	0.935	7420011	1.658	7421645	5.484	7424649	2.108	7427353	12.966
7409966	0.936	7420016	1.724	7421646	5.484	7424652	2.043	7427418	0.748
7409966	0.937	7420017	1.654	7421647	5.506	7424653	2.086	7427625	1.516
7410046	4.680	7420025	0.728	7421649	5.545	7424657	2.067	7427731	0.296
7410766	0.929	7420026	0.738	7421650	5.537	7424659	2.052	7427732	0.297
7410794	5.043	7420034	0.519	7421664	5.453	7424660	2.051	7427738	0.206
7410830	12.972	7420066	1.073	7421668	5.545	7424661	2.053	7427756	8.798
7410830	14.685	7420068	1.109	7421671	5.447	7424665	2.063	7427774	1.219
7410830	14.780	7420069	1.079	7421672	5.447	7424666	2.077	7427807	4.040U
7411921	5.517	7420070	1.069	7421673	5.506	7424669	2.100	7427808	4.040U
7413031	2.555	7420071	0.296	7421673	9.171	7424678	2.102	7427905	5.018
7413031	8.798	7420072	0.297	7421719	5.504	7424685	2.316	7427962	5.555
7413032	2.555	7420073	0.303	7421765	3.112	7424722	10.146	7428552	0.844
7413032	13.092	7420086	0.623	7421813	5.505	7424746	2.372	7428707	2.096
7413223	10.783	7420106	0.056	7421877	0.449	7424749	2.387	7428968	2.367
7413223	10.791	7420114	0.666	7421890	12.242	7424753	2.382	7428969	2.382
7413370	2.555	7420118	0.669	7421939	2.414	7424784	5.809	7428970	2.393
7413370	8.798	7420124	0.439	7422035	1.758	7424835	5.111	7428972	2.385
7413370	9.281	7420128	0.679	7422731	5.545	7424836	5.110	7428980	2.388
7413400	5.858	7420137	0.293	7422733	5.546	7424840	8.024	7428982	2.368
7413406	6.311	7420138	0.269	7422734	5.586	7424849	8.143	7429031	10.150
7413409	6.313	7420151	3.273	7422739	3.410	7424850	8.143	7429033	10.150
7414105	15.036	7420172	0.296	7422779	2.170	7425039	8.800	7429151	6.364
7414620	2.555	7420173	0.296	7422780	2.170	7425228	8.800	7429390	0.839
7414906	3.275	7420174	0.296	7422907	2.170	7425229	8.800	7429459	1.252
7414969	2.342	7420175	0.297	7423242	5.055	7425230	8.800	7429464	3.288
7414989	9.275	7420176	0.297	7423276	4.686	7425234	8.800	7429473	0.289
7415204	5.387	7420177	0.297	7423279	5.529	7425272	10.150	7429476	3.275
7415519	8.075	7420240	3.783	7423284	1.153	7425330	8.800	7429514	3.601
7415559	8.085	7420244	3.764	7423304	5.188	7425360	8.800	7429519	0.603
7415654	4.685	7420254	3.797	7423305	3.202	7425653	5.460	7429521	3.270
7415658	3.120	7420258	3.753	7423454	2.239	7425931	5.504	7429532	3.611
7415761	0.920	7420311	0.666	7423483	1.453	7425993	0.289	7429539	3.610
7415943	3.900	7420312	0.669	7423483	4.195U	7426211	3.201	7429551	4.007A
7417028	8.800	7420335	3.771	7423578	5.041	7426212	2.424	7429551	4.007B
7417478	2.892	7420336	4.205U	7423613	1.643	7426356	8.798	7429551	4.007U
7417490	1.611	7420345	0.033	7423613	2.374	7426400	12.248	7429571	10.783
7417652	4.045F	7420476	2.333	7423616	0.536	7426400	12.942	7429637	0.934
7417652	4.046A	7420490	3.757	7423694	1.071	7426417	13.092	7429741	0.934
7417652	4.050A	7420687	3.901	7423746	5.002	7426554	0.907	7429774	0.533
7418077	2.481	7420688	3.925	7424068	8.024	7426584	3.932	7429826	3.726
7418196	6.364	7420715	4.666	7424198	2.824	7426769	5.026	7429828	0.904
7418439	4.035F	7420743	4.675	7424228	8.085	7426770	5.026	7429932	2.277
7418525	12.944	7420746	0.938	7424249	8.024	7426772	5.107	7429966	4.382F
7418525	12.972	7420782	5.151	7424535	3.724	7426773	5.107	7429999	4.355A
7418525	12.981	7420773	4.670	7424550	3.763	7426774	5.103	7429999	4.355F
7418546	5.387	7420779	5.158	7424551	3.780	7426775	5.103	7430096	0.679
7418703	2.700	7420795	5.150	7424555	3.779	7426776	5.103	7430099	0.796
7418908	10.152	7420798	0.649	7424575	3.725	7426777	5.103	7430136	4.309A
7418993	10.263	7420807	5.149	7424617	3.731	7426778	5.103	7430136	4.309F

HOLDEN "LH" PARTS CATALOGUE

PART No.	GROUP	PART No.	GROUP	PART No.	GROUP	PART No.	GROUP	PART No.	GROUP
7430270	0.289	7430967	4.337F	7433488	12.114	7434452	4.342A	7435003	3.163
7430402	0.094	7430967	4.337U	7433488	12.116	7434452	4.342B	7435027	10.797
7430403	0.094	7430968	4.337F	7433508	4.628	7434452	4.342F	7435043	4.384A
7430404	0.094	7430969	4.337A	7433520	0.902	7434465	2.697	7435043	4.384F
7430406	0.094	7430969	4.337F	7433521	0.902	7434562	10.559	7435044	4.380A
7430407	0.094	7430969	4.337U	7433522	0.924	7434563	10.559	7435044	4.380F
7430408	0.094	7430970	4.337F	7433551	8.075	7434699	0.736	7435045	4.380A
7430410	2.274	7430970	4.337U	7433631	1.453	7434717	0.207	7435047	4.384A
7430430	0.096	7430971	4.337A	7433633	1.453	7434726	0.623	7435071	3.270
7430430	0.099	7430971	4.337F	7433691	3.726	7434728	0.636	7435105	2.170
7430430	0.101	7430972	4.337F	7433737	3.616	7434732	1.643	7435107	0.533
7430430	0.103	7430972	4.337U	7433738	3.616	7434733	0.724	7435140	3.270
7430431	0.096	7431087	2.170	7433767	4.318A	7434734	1.429	7435153	5.508
7430431	0.099	7431327	0.646	7433768	4.317A	7434735	1.429	7435189	1.062
7430431	0.101	7431533	0.673	7433769	4.109A	7434738	0.308	7435242	10.512
7430431	0.103	7431746	0.736	7433769	4.109F	7434739	0.669	7435250	0.533
7430432	0.096	7431992	3.616	7433771	4.105A	7434740	1.658	7435270	5.529
7430432	0.099	7431992	3.706	7433771	4.105F	7434741	3.932	7435295	0.659
7430432	0.101	7431993	3.616	7433772	4.311A	7434749	1.079	7435380	5.504
7430432	0.103	7431993	3.706	7433773	4.311A	7434755	1.659	7435382	5.505
7430434	0.096	7432145	10.185	7433774	4.304A	7434757	0.736	7435383	5.545
7430434	0.099	7432147	5.026	7433775	4.303A	7434758	3.900	7435386	5.586
7430434	0.101	7432222	4.081A	7433775	4.303F	7434759	0.728	7435393	0.683
7430434	0.103	7432222	4.081B	7433776	4.423A	7434767	0.296	7435396	1.659
7430435	0.096	7432222	4.081F	7433776	4.423F	7434768	0.297	7435397	2.041
7430435	0.099	7432222	4.081U	7433793	0.797	7434778	0.669	7435413	9.640
7430435	0.101	7432235	4.081A	7433794	0.797	7434795	1.154	7435450	0.603
7430435	0.103	7432235	4.081B	7433806	3.260	7434800	0.666	7435456	0.210
7430436	0.096	7432235	4.081F	7433806	9.220	7434808	0.293	7435458	0.659
7430436	0.099	7432235	4.081U	7433806	9.779	7434809	0.293	7435548	5.510
7430436	0.101	7432336	10.466	7433830	4.395A	7434810	0.293	7435606	0.646
7430436	0.103	7432435	8.081	7433868	4.430A	7434812	0.289	7435617	0.636
7430437	0.106	7432638	5.510	7433869	4.309A	7434814	0.296	7435646	0.683
7430438	0.106	7432669	12.248	7433869	4.309F	7434815	0.296	7435683	1.609
7430439	0.106	7432672	12.248	7433871	4.403A	7434816	0.296	7435914	6.321
7430441	0.106	7432749	8.085	7433895	0.796	7434817	0.296	7436026	3.601
7430442	0.106	7432888	2.737	7433896	0.798	7434818	0.297	7436029	0.308
7430443	0.106	7432889	2.729	7433915	5.041	7434819	0.297	7436043	10.783
7430444	0.616	7432906	13.092	7433927	4.311A	7434820	0.297	7436154	0.906
7430445	0.616	7433016	5.026	7433927	4.311F	7434821	0.297	7436183	0.902
7430446	0.616	7433017	5.105	7433928	4.423A	7434848	1.654	7436184	0.902
7430448	0.616	7433018	5.105	7433928	4.423F	7434849	1.724	7436220	3.616
7430449	0.616	7433019	5.105	7433929	4.408A	7434855	2.362	7436222	3.616
7430450	0.616	7433068	8.077	7433929	4.408F	7434859	1.656	7436222	3.706
7430451	0.616	7433103	1.270	7433986	4.433A	7434861	0.429	7436226	0.726
7430452	0.616	7433121	5.149	7433998	4.317A	7434869	1.265	7436254	2.892
7430453	0.616	7433122	5.149	7434165	2.333	7434869	8.055	7436617	1.426
7430454	0.616	7433130	5.111	7434201	2.555	7434870	0.333	7436617	8.143
7430496	3.270	7433131	5.111	7434211	3.163	7434871	0.519	7436618	1.426
7430865	1.251	7433139	4.652	7434224	0.659	7434874	1.835	7436618	4.010U
7430869	5.504	7433162	4.652	7434262	8.798	7434932	1.723	7436629	0.886
7430870	5.504	7433172	4.675	7434266	4.342U	7434946	1.653	7436630	0.886
7430871	5.504	7433250	1.762	7434266	4.342A	7434961	4.653	7436633	0.861
7430917	4.342U	7433250	3.726	7434266	4.342F	7434978	4.383A	7436634	0.861
7430917	4.342A	7433264	4.017A	7434301	0.646	7434978	4.383F	7436713	2.424
7430917	4.342F	7433264	4.017B	7434307	4.421A	7434979	3.270	7436736	5.529
7430921	4.338A	7433352	6.518	7434308	4.418A	7434980	3.270	7436752	2.239
7430921	4.338F	7433488	1.266	7434327	8.798	7434981	2.361	7436758	0.426
7430921	4.338U	7433488	8.304	7434379	8.798	7434996	10.187	7436769	3.120
7430922	0.736	7433488	12.112	7434452	4.342U	7434998	10.187	7436769	3.430

NUMERICAL INDEX

HOLDEN "LH" PARTS CATALOGUE

PART No.	GROUP	PART No.	GROUP	PART No.	GROUP	PART No.	GROUP	PART No.	GROUP
7436769	9.220	7438659	1.266	7805950	2.188	9299695	4.351H	9928309	11.392
7437019	5.045	7438659	8.304	7806046	2.195	9299951	4.421H	9928310	11.392
7437055	4.383A	7438659	12.112	7930601	9.280	9299952	4.418H	9928328	6.103
7437055	4.383F	7438659	12.114	7935830	9.275	9300694	4.337H	9928329	6.103
7437069	0.679	7438659	12.116	7950671	3.927	9300717	4.337H	9928341	3.417
7437126	0.844	7438806	5.529	7950756	3.910	9300718	4.337H	9928350	2.515
7437137	0.797	7438910	8.800	8526387	9.213	9411397	4.016U	9928351	2.815
7437138	0.797	7438960	0.289	8526398	9.220	9414045	11.925	9928357	4.265U
7437199	3.610	7438983	1.219	8526645	9.220	9414193	4.422A	9928379	9.779
7437267	7.370	7438985	1.219	8623056	4.282U	9414193	4.422B	9928384	9.278
7437268	7.370	7439076	4.665	8623653	4.127U	9414193	4.422F	9928398	3.430
7437269	0.748	7439077	4.665	8825571	0.683	9414712	2.515	9928399	3.430
7437284	0.852	7439491	1.610	8625657	4.177U	9417275	4.352H	9928441	12.116
7437291	3.275	7439585	1.745	8786143	10.266	9417350	1.221	9928442	12.116
7437296	3.410	7439633	2.706	8905102	13.090	9417730	5.875	9928445CY	9.743
7437297	3.403	7439643	2.709	8905116	2.555	9417863	10.270	9928447	9.779
7437298	3.410	7439693	0.679	8905117	2.555	9417863	4.038U	9928448	9.779
7437298	3.410	7439867	5.504	8958619	4.128U	9417866	2.586	9928449	9.779
7437317	4.337A	7439898	0.646	8965234	4.012H	9417866	2.679	9928450	10.260
7437372	0.666	7439930	4.017U	8965250	4.309H	9417867	2.679	9928452	12.030
7437392	5.529								
7437450	3.275	7440470	2.170	8967254	4.354H	9419143	3.430	9928459	9.680
7437489	0.852	7441302	1.803	8967474	4.011H	9419609	8.126	9928460CY	9.680
7437547	3.415	7441715	3.003	8968032	2.697	9420234	7.831	9928460DC	9.680
7437584	7.347	7447103	8.798	9297787	4.010H	9420972	15.288	9928460DE	9.680
7437585	7.347	7447111	2.726	9298089	4.012H	9421151	14.655	9928460DF	9.680
7437586	7.347	7448437	2.737	9298090	4.012H	9421330	2.515	9928460DG	9.680
7437615	5.504	7448553	8.800	9298091	4.012H	9421330	2.585	9928460DR	9.680
7437616	5.504	7448554	8.800	9298092	4.015H	9421330	2.893	9928460DV	9.680
7437623	3.415	7448575	0.683	9298093	4.012H	9421744	1.723	9928460DW	9.680
7437644	7.347	7448753	1.656	9298260	4.376H	9422275	7.242	9928460DX	9.680
7437656	9.171	7448795	6.020	9298510	4.418H	9422277	4.902	9928466	9.672
7437749	8.798	7448810	4.337U	9298656	4.103H	9422280	6.103	9928467	10.027
7437814	4.931	7448829	0.056	9298667	4.403H	9422282	7.370	9928468	10.027
7437863	10.829	7449079	2.824	9299066	4.356H	9422301	5.382	9928469	10.027
7437879	9.220	7449209	1.063	9299534	4.376H	9422301	6.008	9928470CY	9.743
7437892	9.275	7449240	4.931	9299535	4.376H	9423842	0.429	9928470DD	9.743
7438035	5.527	7449396	1.652	9299535	4.412H	9423842	0.683	9928470DG	9.743
7438087	0.277	7449397	1.653	9299536	4.376H	9423842	4.226U	9928470DS	9.743
7438089	4.665	7449495	4.352A	9299536	4.412H	9423875	4.006F	9928470DX	9.743
7438090	4.665	7449495	4.352B	9299537	4.376H	9426332	2.481	9928470DY	9.743
7438110	2.041	7449495	4.352F	9299537	4.412H	9426333	2.481	9928472CY	9.743
7438128	1.109	7449496	4.422A	9299538	4.376H	9426341	2.481	9928474CY	9.743
7438144	5.510	7449496	4.422B	9299538	4.412H	9426378	2.830	9928474DD	9.743
7438159	4.670	7449496	4.422F	9299540	4.382H	9426438	2.515	9928474DG	9.743
7438308	4.665	7449498	4.003A	9299541	4.382H	9427182	0.683	9928474DS	9.743
7438309	4.665	7449561	4.133U	9299543	4.423H	9427637	0.206	9928474DX	9.743
7438310	4.665	7449562	4.133U	9299544	4.423H	9427637	1.069	9928474DY	9.743
7438311	4.665	7449585	2.170	9299545	4.423H	9427637	9.171	9928476	10.261
7438367	4.668	7449627	6.103	9299546	4.423H	9427961	0.033	9928477	10.260
7438383	1.270	7449753	12.184	9299548	4.382H	9428787	3.780	9928481	6.361
7438383	15.292	7449910	2.555	9299549	4.382H	9432866	3.120	9928482BA	15.390
7438390	4.668	7731353	10.515	9299553	4.003H	9433637	1.066	9928482DC	15.390
7438425	4.670	7731353	10.797	9299655	0.683	9677326	9.675	9928482DE	15.390
7438477	0.277	7800269	6.521	9299679	4.317H	9695953	9.675	9928482DF	15.390
7438527	4.383A	7800580	6.521	9299685	4.309H	9704186	10.466	9928482DG	15.390
7438527	4.383F	7804410	2.195	9299687	4.309H	9704187	10.466	9928482DR	15.390
7438528	4.931	7804412	2.195	9299690	4.421H	9704188	10.466	9928482DU	15.390
7438537	4.040U	7804413	6.518	9299691	4.433H	9832569	10.266	9928482DV	15.390
7438562	1.762	7804771	6.521	9299693	4.395H	9928305	11.388	9928482DW	15.390
7438646	5.111	7805700	6.524	9299694	4.415H	9928306	11.388	9928487	10.027

HOLDEN "LH" PARTS CATALOGUE

PART No.	GROUP	PART No.	GROUP	PART No.	GROUP	PART No.	GROUP	PART No.	GROUP
9928491	4.038U	9928659	3.430	9928963	1.762	9929148	4.040U	9929596DY	9.743
9928500BA	4.038U	9928668	4.081U	9928983	5.010	9929162	0.137	9929598CY	9.743
9928500DD	4.038U	9928681	8.132	9928984	5.010	9929165	0.137	9929599CY	9.743
9928500DG	4.038U	9928682	8.132	9928993	0.796	9929174	4.680	9929599DD	9.743
9928500DS	4.038U	9928684	3.265	9928994	6.508	9929187	6.361	9929599DG	9.743
9928500DX	4.038U	9928699	1.745	9928995	6.508	9929189	2.515	9929599DS	9.743
9928500DY	4.038U	9928720	8.131	9928996	15.293	9929194	12.967	9929599DX	9.743
9928506	6.008	9928722	3.260	9929012	4.685	9929204	9.779	9929599DY	9.743
9928507BA	15.286	9928736	9.169	9929041	0.027	9929205	9.779	9929605	14.798
9928507DD	15.286	9928759	4.658	9929042	0.027	9929207	9.779	9929606	14.798
9928507DE	15.286	9928762	14.798	9929051	4.007A	9929208	9.779	9929612	12.112
9928507DG	15.286	9928763	4.038U	9929053	4.007U	9929232	1.266	9929613	12.112
9928507DS	15.286	9928765	15.293	9929065	6.758	9929233	1.266	9929614	10.710
9928507DU	15.286	9928766	15.293	9929094	9.662	9929238	3.430	9929617	10.470
9928508BA	15.286	9928767	2.277	9929114CY	14.760	9929239	3.459	9929618	10.470
9928508DD	15.286	9928768	2.317	9929114DC	14.760	9929245	4.685	9929619	10.470
9928508DE	15.286	9928769	2.277	9929114DE	14.760	9929246	4.685	9929619	10.473
9928508DG	15.286	9928792	12.934	9929114DF	14.760	9929252	8.079	9929620	10.470
9928508DS	15.286	9928793	12.934	9929114DG	14.760	9929253	9.220	9929620	10.473
9928508DU	15.286	9928794	7.831	9929114DR	14.760	9929263	2.679	9929621	10.473
9928509	12.116	9928795	4.230U	9929114DT	14.760	9929264	2.679	9929622	10.473
9928527	1.219	9928800	1.203	9929114DU	14.760	9929266	3.710	9929628	4.226U
9928569	4.681	9928803	1.219	9929114DV	14.760	9929279	4.226U	9929629	4.228U
9928570	4.337F	9928804	1.219	9929114DW	14.760	9929281	3.430	9929638	4.007U
9928571	4.658	9928812	2.897	9929115CY	14.760	9929282	4.054U	9929641CY	14.880
9928578	2.586	9928813	8.304	9929115DC	14.760	9929290	0.683	9929641DC	14.880
9928582	2.589	9928813CLP	8.304	9929115DE	14.760	9929292	1.266	9929641DE	14.880
9928583	2.590	9928818	2.727	9929115DF	14.760	9929299	4.685	9929641DF	14.880
9928585	12.982	9928840	6.518	9929115DG	14.760	9929300	4.685	9929641DG	14.880
9928586	12.982	9928843	2.555	9929115DR	14.760	9929501	1.066	9929641DR	14.880
9928587BA	15.286	9928844	4.006A	9929115DT	14.760	9929513	4.020B	9929641DT	14.880
9928587DD	15.286	9928845	4.006U	9929115DU	14.760	9929514	4.019B	9929641DU	14.880
9928587DE	15.286	9928846	4.007B	9929115DV	14.760	9929520	1.266	9929641DV	14.880
9928587DG	15.286	9928855	2.041	9929115DW	14.760	9929521	1.266	9929641DW	14.880
9928587DS	15.286	9928883	3.158	9929124CY	14.685	9929522	1.266	9929643CY	14.880
9928587DU	15.286	9928892	9.779	9929124DC	14.685	9929523	4.685	9929643DC	14.880
9928589	4.680	9928893	9.779	9929124DE	14.685	9929524	4.685	9929643DE	14.880
9928592	9.779	9928894	9.779	9929124DF	14.685	9929525	1.265	9929643DF	14.880
9928598	9.779	9928895	3.003	9929124DG	14.685	9929526	1.265	9929643DG	14.880
9928602	9.779	9928905	4.659	9929124DR	14.685	9929531	4.636	9929643DR	14.880
9928606	12.112	9928912	6.518	9929124DT	14.685	9929532	1.266	9929643DT	14.880
9928607	12.114	9928914	4.018U	9929124DU	14.685	9929533	1.266	9929643DU	14.880
9928607	12.112	9928918	3.430	9929124DV	14.685	9929545	5.441	9929643DV	14.880
9928607	12.114	9928919	4.639	9929124DW	14.685	9929546	5.441	9929643DW	14.880
9928608	12.114	9928928	8.132	9929125CY	14.685	9929548	4.050B	9929645CY	14.880
9928609	12.114	9928929BA	14.651	9929125DC	14.685	9929549	4.046B	9929645DC	14.880
9928610	12.114	9928929DC	14.651	9929125DE	14.685	9929563	8.075	9929645DE	14.880
9928611	12.114	9928929DE	14.651	9929125DF	14.685	9929564	8.075	9929645DF	14.880
9928614	11.207	9928929DF	14.651	9929125DG	14.685	9929565	14.802	9929645DG	14.880
9928623	9.779	9928929DG	14.651	9929125DR	14.685	9929581	10.710	9929645DR	14.880
9928631	4.680	9928929DR	14.651	9929125DT	14.685	9929582	10.710	9929645DT	14.880
9928643	2.555	9928929DU	14.651	9929125DU	14.685	9929587	4.040U	9929645DU	14.880
9928643	2.895	9928929DV	14.651	9929125DV	14.685	9929592	12.114	9929645DV	14.880
9928643	13.090	9928929DW	14.651	9929125DW	14.685	9929593	12.114	9929645DW	14.880
9928644	2.555	9928935	6.518	9929130	5.803	9929595CY	9.743	9929646CY	14.880
9928656	4.081A	9928947	4.041U	9929134	2.333	9929596CY	9.743	9929646DE	14.880
9928656	4.081B	9928954	6.508	9929138	12.121	9929596DD	9.743	9929646DF	14.880
9928656	4.081F	9928956	4.662	9929139	5.441	9929596DG	9.743	9929646DG	14.880
9928656	4.081U	9928960	4.681	9929140	5.441	9929596DS	9.743	9929646DR	14.880
9928658	3.459	9928962	1.762	9929146	4.016U	9929596DX	9.743	9929646DT	14.880

NUMERICAL INDEX

HOLDEN "LH" PARTS CATALOGUE

PART No.	GROUP	PART No.	GROUP	PART No.	GROUP	PART No.	GROUP	PART No.	GROUP
9929646DU	14.880	9929654DR	14.800	9929782	2.515	9929923CY	14.685	9930179	3.701
9929646DV	14.880	9929654DT	14.800	9929783	2.515	9929923DC	14.685	9930181	3.705
9929646DW	14.880	9929654DU	14.800	9929784	3.028	9929923DF	14.685	9930187	14.798
9929647CY	14.880	9929654DV	14.800	9929792	2.895	9929923DG	14.685	9930189	3.265
9929647DC	14.880	9929654DW	14.800	9929821	4.006U	9929923DP	14.685	9930190	3.265
9929647DF	14.880	9929655CY	14.800	9929833	4.006U	9929923DR	14.685	9930192	3.265
9929647DG	14.880	9929655DC	14.800	9929834	9.220	9929923DT	14.685	9930194	3.265
9929647DR	14.880	9929655DF	14.800	9929835	9.220	9929923DU	14.685	9930196	3.265
9929647DT	14.880	9929655DG	14.800	9929836	9.220	9929923DV	14.685	9930197	3.265
9929647DU	14.880	9929655DR	14.800	9929839	12.030	9929923DW	14.685	9930203	3.710
9929647DV	14.880	9929655DT	14.800	9929840	12.030	9929924CY	14.685	9930211	9.600
9929647DW	14.880	9929655DU	14.800	9929841	12.030	9929924DC	14.685	9930216	3.609
9929648CY	14.880	9929655DV	14.800	9929849	4.040U	9929924DF	14.685	9930227CY	15.000
9929648DC	14.880	9929655DW	14.800	9929850	4.041U	9929924DG	14.685	9930227DC	15.000
9929648DF	14.880	9929656CY	14.800	9929851	9.220	9929924DP	14.685	9930227DE	15.000
9929648DG	14.880	9929656DC	14.800	9929852	9.278	9929924DR	14.685	9930227DF	15.000
9929648DR	14.880	9929656DF	14.800	9929852	9.779	9929924DT	14.685	9930227DG	15.000
9929648DT	14.880	9929656DG	14.800	9929854	3.265	9929924DU	14.685	9930227DR	15.000
9929648DU	14.880	9929656DR	14.800	9929874	2.341	9929924DV	14.685	9930227DT	15.000
9929648DV	14.880	9929656DT	14.800	9929875	2.342	9929924DW	14.685	9930227DU	15.000
9929648DW	14.880	9929656DU	14.800	9929881CY	15.000	9929928	9.169	9930227DV	15.000
9929648EN	14.880	9929656DV	14.800	9929881DC	15.000	9929930	9.169	9930227DW	15.000
9929648EP	14.880	9929656DW	14.800	9929881DE	15.000	9929936	9.276	9930229CY	15.000
9929648ER	14.880	9929656EN	14.800	9929881DF	15.000	9929937	9.278	9930229DC	15.000
9929648ES	14.880	9929656EP	14.800	9929881DG	15.000	9929938	9.278	9930229DF	15.000
9929648ET	14.880	9929656ER	14.800	9929881DR	15.000	9929940	9.276	9930229DG	15.000
9929649CY	14.800	9929656ES	14.800	9929881DT	15.000	9929941	9.169	9930229DR	15.000
9929649DC	14.800	9929656ET	14.800	9929881DU	15.000	9929942	9.169	9930229DT	15.000
9929649DE	14.800	9929659	0.027	9929881DV	15.000	9929946	9.279	9930229DU	15.000
9929649DF	14.800	9929664	14.798	9929881DW	15.000	9929947	9.278	9930229DV	15.000
9929649DG	14.800	9929664	15.040	9929882CY	15.000	9929948	9.169	9930229DW	15.000
9929649DR	14.800	9929668	14.798	9929882DE	15.000	9929951	4.055U	9930230CY	15.000
9929649DT	14.800	9929668	15.040	9929882DF	15.000	9929954	9.682	9930230DC	15.000
9929649DU	14.800	9929669	15.040	9929882DG	15.000	9929960	4.685	9930230DF	15.000
9929649DV	14.800	9929673	12.181	9929882DR	15.000	9929961	4.035F	9930230DG	15.000
9929649DW	14.800	9929674	9.779	9929882DT	15.000	9929967	9.195	9930230DR	15.000
9929651CY	14.800	9929675	9.220	9929882DU	15.000	9929995	4.040U	9930230DT	15.000
9929651DC	14.800	9929676	4.233U	9929882DV	15.000	9929999	9.220	9930230DU	15.000
9929651DE	14.800	9929677	4.226U	9929882DW	15.000	9930002	1.064	9930230DV	15.000
9929651DF	14.800	9929678	4.226U	9929907	4.686	9930003	7.347	9930230DW	15.000
9929651DG	14.800	9929681	4.265U	9929919CY	14.760	9930004	2.317	9930230EN	15.000
9929651DR	14.800	9929681	4.279U	9929919DC	14.760	9930022	14.890	9930230EP	15.000
9929651DT	14.800	9929685	4.265U	9929919DF	14.760	9930033	6.758	9930230ER	15.000
9929651DU	14.800	9929686	4.265U	9929919DG	14.760	9930035	4.226U	9930230ES	15.000
9929651DV	14.800	9929702	9.779	9929919DP	14.760	9930044	3.601	9930230ET	15.000
9929651DW	14.800	9929703	9.779	9929919DR	14.760	9930049	3.704	9930234	11.420
9929653CY	14.800	9929706	10.146	9929919DT	14.760	9930050	3.704	9930270	3.609
9929653DC	14.800	9929709	4.265U	9929919DU	14.760	9930061	4.009U	9930271	4.003U
9929653DE	14.800	9929731	9.220	9929919DV	14.760	9930070	4.128U	9930272	4.003U
9929653DF	14.800	9929733	9.220	9929919DW	14.760	9930071	11.588	9930292	12.981
9929653DG	14.800	9929734	9.779	9929920CY	14.760	9930080	11.373	9930295	4.003B
9929653DR	14.800	9929736	9.779	9929920DC	14.760	9930087	4.342U	9930297	4.317B
9929653DT	14.800	9929738	0.886	9929920DF	14.760	9930087	4.342F	9930306	2.424
9929653DU	14.800	9929739	0.683	9929920DG	14.760	9930097	14.890	9930313	14.802
9929653DV	14.800	9929740	0.679	9929920DP	14.760	9930108	4.018U	9930350	9.280
9929653DW	14.800	9929772	4.625	9929920DR	14.760	9930109	6.518	9930351	9.278
9929654CY	14.800	9929773	4.625	9929920DT	14.760	9930116	4.685	9930353	4.128U
9929654DE	14.800	9929774	3.430	9929920DU	14.760	9930120	15.293	9930427	0.830
9929654DF	14.800	9929777	9.190	9929920DV	14.760	9930137	1.270	9930430	0.787
9929654DG	14.800	9929778	9.220	9929920DW	14.760	9930164	4.009U	9930459	9.280

HOLDEN "LH" PARTS CATALOGUE

PART No.	GROUP	PART No.	GROUP	PART No.	GROUP	PART No.	GROUP	PART No.	GROUP
9930461	6.524			9930973DV	12.810	9931172DD	14.798	9931512	1.762
9930472	0.027	9930712	12.966	9930973DW	12.810	9931172DG	14.798	9931514	3.403
9930474	2.555	9930713	12.112	9930974	3.430	9931173BA	14.798	9931524CY	14.760
9930480	4.342U	9930714	12.112	9930984	4.003A	9931173DD	14.798	9931524DC	14.760
9930480	4.342F	9930721	3.417	9930986	2.555	9931173DG	14.798	9931524DE	14.760
9930482	4.342B	9930728	9.169	9930997	2.555	9931213	3.402	9931524DF	14.760
9930485CY	14.880	9930736	9.280	9931011	2.555	9931240	9.220	9931524DG	14.760
9930485DC	14.880	9930739	2.555	9931015	11.925	9931241	9.220	9931524DR	14.760
9930485DE	14.880	9930740	2.555	9931019	4.685	9931262	3.402	9931524DT	14.760
9930485DF	14.880	9930741	2.555	9931020	4.685	9931266	9.171	9931524DU	14.760
9930485DG	14.880	9930742	2.555	9931021	4.685	9931267	9.171	9931524DV	14.760
9930485DR	14.880	9930747BA	4.038U	9931022	4.685	9931273	9.220	9931524DW	14.760
9930485DT	14.880	9930747DD	4.038U	9931023	4.685	9931276	4.006H	9931525CY	14.760
9930485DU	14.880	9930747DG	4.038U	9931024	4.685	9931301	9.220	9931525DC	14.760
9930485DV	14.880	9930747DS	4.038U	9931026	6.361	9931388	3.158	9931525DE	14.760
9930485DW	14.880	9930747DX	4.038U	9931027	6.361	9931390	1.266	9931525DF	14.760
9930487CY	14.800	9930747DY	4.038U	9931028	6.361	9931400	2.820	9931525DG	14.760
9930487DC	14.800	9930749	10.185	9931065	9.779	9931419CY	14.803	9931525DR	14.760
9930487DE	14.800	9930751	4.038U	9931066	9.779	9931419DC	14.803	9931525DT	14.760
9930487DF	14.800	9930752	2.555	9931072	12.805	9931419DE	14.803	9931525DU	14.760
9930487DG	14.800	9930779	6.008	9931073	12.805	9931419DF	14.803	9931525DV	14.760
9930487DR	14.800	9930780	9.280	9931074	12.956	9931419DG	14.803	9931525DW	14.760
9930487DT	14.800	9930781	9.280	9931075	12.956	9931419DR	14.803	9931548	1.265
9930487DU	14.800	9930790	9.280	9931076	12.942	9931419DT	14.803	9931555	4.901
9930487DV	14.800	9930800	9.743	9931077	12.942	9931419DU	14.803	9931556	1.266
9930487DW	14.800	9930835	0.929	9931078	12.934	9931419DV	14.803	9931584	0.659
9930491	9.662	9930835	3.120	9931079	12.934	9931419DW	14.803	9931600	14.925
9930514	4.650	9930835	3.202	9931087	8.000	9931422	4.662	9931601	9.779
9930515	4.650	9930863	9.280	9931088	10.351	9931423	4.659	9931622	9.220
9930519	4.653	9930864	9.280	9931089	10.351	9931424	4.658	9931634	6.233
9930522	9.280	9930867	0.844	9931090	10.373	9931455	15.280	9931635	6.233
9930525	4.826	9930868	3.163	9931091	10.373	9931456	15.280	9931640	3.402
9930535	2.275	9930871	7.345	9931093	9.280	9931458	15.280	9931641	3.402
9930537	2.275	9930872	7.345	9931094	11.204	9931459	8.132	9931642	3.402
9930538	14.802	9930886	12.116	9931108	10.002	9931462	14.802	9931643	3.402
9930539	4.625	9930891	9.220	9931109	10.002	9931463	3.725	9931644	3.402
9930540	4.625	9930893	8.304	9931139	15.002	9931464	3.725	9931645	9.779
9930552	9.215	9930895	8.304	9931140	15.002	9931477CY	14.685	9931646	9.779
9930560	9.779	9930909	4.356A	9931165BA	14.798	9931477DC	14.685	9931655	9.280
9930562	3.726	9930909	4.356F	9931165DD	14.798	9931477DE	14.685	9931660	3.459
9930577	1.516	9930910	4.356F	9931165DG	14.798	9931477DF	14.685	9931661	14.925
9930585	3.725	9930911	4.356F	9931166BA	14.798	9931477DG	14.685	9931664	2.317
9930586	3.725	9930921	4.351A	9931166DD	14.798	9931477DR	14.685	9931669	9.662
9930587	3.725	9930923	4.351F	9931166DG	14.798	9931477DT	14.685	9931670	9.662
9930588	3.725	9930924	4.351F	9931167BA	14.798	9931477DU	14.685	9931671	9.662
9930599	3.201	9930925	4.351F	9931167DD	14.798	9931477DV	14.685	9931672	9.662
9930601	3.201	9930927BA	6.513	9931167DG	14.798	9931477DW	14.685	9931674	9.662
9930602	4.337B	9930927DD	6.513	9931168BA	14.798	9931478BCY	14.685	9931676	1.066
9930610	4.625	9930927DG	6.513	9931168DD	14.798	9931478DC	14.685	9931683	3.003
9930616	4.015F	9930927DS	6.513	9931168DG	14.798	9931478DE	14.685	9931687	3.003
9930621	3.003	9930927DX	6.513	9931169BA	15.040	9931478DF	14.685	9931707	3.028
9930631	9.171	9930927DY	6.513	9931169DD	15.040	9931478DG	14.685	9931712	10.163
9930680	3.430	9930941	8.132	9931169DG	15.040	9931478DR	14.685	9931714	10.163
9930686	3.003	9930959	15.002	9931170BA	15.040	9931478DT	14.685	9931715	7.345
9930702	12.112	9930972	15.002	9931170DD	15.040	9931478DU	14.685	9931722BA	14.640
9930702CLP	12.112	9930973CY	12.810	9931170DG	15.040	9931478DV	14.685	9931722DC	14.640
9930703	12.114	9930973DC	12.810	9931171BA	14.798	9931478DW	14.685	9931722DE	14.640
9930703CLP	12.114	9930973DF	12.810	9931171DD	14.798	9931488	4.901	9931722DF	14.640
9930704	8.132	9930973DG	12.810	9931171DG	14.798	9931489	4.625	9931722DG	14.640
9930704CLP	8.132	9930973DR	12.810	9931172BA	14.798	9931490	4.625	9931722DR	14.640

NUMERICAL INDEX

HOLDEN "LH" PARTS CATALOGUE

PART No.	GROUP	PART No.	GROUP	PART No.	GROUP	PART No.	GROUP	PART No.	GROUP
9931722DU	14.640	9932130DU	14.686	9932222	4.594	9932866	12.982	9933029DW	15.289
9931722DV	14.640	9932130DV	14.686	9932232	1.762	9932867	12.982	9933030	15.288
9931722DW	14.640	9932130DW	14.686	9932244	6.508	9932874	0.386	9933031	15.290
9931727	8.798	9932131CY	14.686	9932245	6.508	9932876	9.281	9933036	15.290
9931728	8.798	9932131DC	14.686	9932266	0.386	9932893	9.779	9933041	5.871
9931729	2.810	9932131DE	14.686	9932279	4.685	9932902	0.386	9933058	5.809
9931732	1.270	9932131DF	14.686	9932280	4.685	9932904	14.798	9933075	9.608
9931752	3.120	9932131DG	14.686	9932281	3.107	9932904	15.040	9933076	9.624
9931753	3.003	9932131DR	14.686	9932290	6.008	9932905BA	14.799	9933077	9.624
9931754	3.003	9932131DU	14.686	9932291	6.008	9932905DD	14.799	9933079	4.668
9931776	6.524	9932131DV	14.686	9932304	4.045F	9932905DG	14.799	9933080	4.667
9931777	4.205U	9932131DW	14.686	9932305	4.045F	9932905DS	14.799	9933081	4.665
9931778	4.205U	9932132CY	14.691	9932306	4.035F	9932905DX	14.799	9933082	4.665
9931779	4.205U	9932132DC	14.691	9932307	4.035F	9932905DY	14.799	9933083	9.169
9931787	2.555	9932132DE	14.691	9932330	0.386	9932906BA	14.798	9933084	9.169
9931794	3.402	9932132DF	14.691	9932335	1.762	9932906BA	15.040	9933089	4.669
9931795	3.402	9932132DG	14.691	9932337	8.112	9932906DD	14.798	9933090	4.668
9931801	3.609	9932132DR	14.691	9932338	8.112	9932906DD	15.040	9933099	0.027
9931802	3.609	9932132DT	14.691	9932349	8.130	9932906DG	14.798	9933100	6.008
9931804	9.620	9932132DU	14.691	9932350	8.130	9932906DG	15.040	9933101	6.008
9931815	4.128U	9932132DV	14.691	9932379	8.820	9932917	0.852	9933103	8.126
9931816	4.128U	9932132DW	14.691	9932442	1.803	9932918	0.852	9933115	9.624
9931817	4.128U	9932133CY	14.691	9932443	0.277	9932919	0.839	9933116	9.624
9931818	4.128U	9932133DC	14.691	9932447	2.515	9932921	0.787	9933120	9.169
9931819	4.128U	9932133DE	14.691	9932449	2.251	9932922	0.787	9933140	1.159
9931820	3.120	9932133DF	14.691	9932450	2.251	9932923	0.830	9933141	1.219
9931822	3.120	9932133DG	14.691	9932484	5.010	9932933	10.262	9933142	1.219
9931882	4.902	9932133DR	14.691	9932485	5.010	9932934	10.262	9933149	3.616
9931892	4.128U	9932133DT	14.691	9932487	7.347	9932935	10.262	9933150	3.616
9931893	4.128U	9932133DU	14.691	9932494	3.725	9932940	11.960	9933160	9.169
9931896	4.128U	9932133DV	14.691	9932495	3.725	9932964	6.020	9933167	4.685
9931924	9.276	9932133DW	14.691	9932503	8.112	9932965	6.020	9933168	4.685
9931934	2.520	9932134CY	14.764	9932512	3.001	9932967	6.361	9933177	5.871
9931935	2.520	9932134DC	14.764	9932545	4.265U	9932980	14.651	9933189	0.386
9931943	9.220	9932134DE	14.764	9932546	4.265U	9932989	5.871	9933190	9.220
9931944	11.420	9932134DF	14.764	9932549	5.395	9933002	9.779	9933196	9.779
9931984	2.555	9932134DG	14.764	9932553	9.170	9933003	9.779	9933205	1.762
9931987	2.555	9932134DR	14.764	9932574	3.616	9933004	9.779	9933235	4.902
9931988	2.555	9932134DT	14.764	9932576	3.616	9933006	11.588	9933246	0.787
9931989	13.090	9932134DU	14.764	9932583	9.276	9933019	2.487	9933253	9.199
9931990	13.090	9932134DV	14.764	9932584	4.685	9933021	15.288	9933264	2.333
9932009	2.515	9932134DW	14.764	9932585	4.685	9933024CY	15.288	9933269	0.787
9932019	8.126	9932135CY	14.764	9932596	8.112	9933024DC	15.288	9933270	9.169
9932020	8.126	9932135DC	14.764	9932687	12.982	9933024DE	15.288	9933304	4.685
9932021	8.126	9932135DE	14.764	9932688	12.982	9933024DF	15.288	9933306	9.195
9932022	7.800	9932135DF	14.764	9932768	12.982	9933024DG	15.288	9933307	1.270
9932048	4.902	9932135DG	14.764	9932805	2.727	9933024DR	15.288	9933319	3.430
9932050	9.620	9932135DR	14.764	9932808	12.803	9933024DT	15.288	9933329	6.524
9932051	9.620	9932135DT	14.764	9932809	12.803	9933024DU	15.288	9933333	9.195
9932087	3.001	9932135DU	14.764	9932810	6.168	9933024DV	15.288	9933358	4.035F
9932088	3.001	9932135DV	14.764	9932821	4.606	9933024DW	15.288	9933359	4.035F
9932089	3.001	9932135DW	14.764	9932824	0.646	9933025	15.288	9933373	1.159
9932122	6.008	9932138	11.950	9932828	0.646	9933029CY	15.289	9933377	3.430
9932125	9.668	9932150	9.665	9932833	0.646	9933029DE	15.289	9933378	3.430
9932130CY	14.686	9932153	5.395	9932837	0.646	9933029DF	15.289	9933379	15.290
9932130DC	14.686	9932167	8.821	9932843	0.646	9933029DG	15.289	9933388	0.426
9932130DE	14.686	9932168	3.001	9932845	0.646	9933029DR	15.289	9933393	0.426
9932130DF	14.686	9932169	3.001	9932852	14.802	9933029DT	15.289	9933435	0.724
9932130DG	14.686	9932185	1.762	9932853	9.210	9933029DU	15.289	9933482	3.430
9932130DR	14.686	9932192	6.524	9932854	3.130	9933029DV	15.289	9933483	3.430

HOLDEN "LH" PARTS CATALOGUE

PART No.	GROUP	PART No.	GROUP	PART No.	GROUP	PART No.	GROUP	PART No.	GROUP
9933493	1.064	9934125	1.159	9935032	4.003U	9936359	9.220	9936574	0.629
9933514	13.090	9934167	5.812	9935041	3.521	9936365	4.337B	9936575	0.629
9933520	9.196	9934169	3.410	9935045	4.006H	9936382	0.269	9936576	3.900
9933543BA	14.630	9934236	1.426	9935052	4.591	9936389	0.056	9936584	2.697
9933543DD	14.630	9934243	5.382	9935053	4.591	9936419	3.521	9936586	3.402
9933543DE	14.630	9934250	3.001	9935109	5.387	9936423	4.685	9936597	12.030
9933543DG	14.630	9934256	3.003	9935137	5.504	9936435	3.521	9936599	0.106
9933543DR	14.630	9934263	9.170	9935138	5.504	9936467	8.130	9936600	0.106
9933543DU	14.630	9934268	9.281	9935142	0.603	9936468	8.130	9936601	0.106
9933543DV	14.630	9934269	3.120	9935156	1.426	9936471CLR	9.684	9936602	0.106
9933543DW	14.630	9934276	1.426	9935160	4.685	9936471TNT	9.684	9936603	0.106
9933544	12.972	9934331	14.798	9935161	4.685	9936472CLR	9.684	9936604	0.106
9933551	1.219	9934331	15.040	9935170	4.826	9936472TNT	9.684	9936654	2.424
9933552	1.219	9934339	4.015H	9935171	4.826	9936496	4.829	9936664	4.342H
9933557	5.415	9934340	4.015H	9935172	9.632	9936514	0.426	9936674	2.239
9933558	5.415	9934341	0.796	9935173	3.120	9936516	8.126	9936705	0.000
9933559	5.415	9934375	4.006U	9935174	3.120	9936518	0.033	9936707	0.000
9933561	7.242	9934376	4.006B	9935175	3.120	9936519	0.033	9936708	0.000
9933562	7.242	9934393	15.293	9935184	5.420	9936523	0.616	9936709	0.000
9933563	7.242	9934419	13.090	9935185	5.420	9936524	0.616	9936710	0.000
9933598	3.609	9934420	13.090	9935187	5.510	9936525	0.616	9936711	0.000
9933637	3.402	9934482	9.169	9935203	3.402	9936526	0.616	9936712	0.000
9933638	3.402	9934483	9.169	9935213	1.656	9936527	0.616	9936770	4.015F
9933661	10.163	9934486	9.169	9935223	0.659	9936528	0.616	9936791	3.120
9933681	4.038U	9934487	9.169	9935245	5.603	9936530	0.616	9936802	9.648
9933682	15.293	9934489	9.169	9935249	6.103	9936531	0.616	9936827	3.726
9933706	12.116	9934492	9.169	9935250	6.103	9936534	0.094	9936831	3.725
9933719	8.823	9934493	9.169	9935257	9.662	9936535	0.096	9936832	3.725
9933722	12.116	9934502	3.120	9935269	0.646	9936535	0.099	9936833	3.725
9933723	12.116	9934521	2.188	9935272	0.646	9936535	0.101	9936834	3.725
9933733	9.220	9934547	6.020	9935276	4.902	9936535	0.103	9936835	3.725
9933734	6.509	9934548	6.020	9935278	0.296	9936536	0.094	9936836	3.725
9933741	9.169	9934573	0.666	9935279	0.296	9936537	0.096	9936841	3.725
9933745	4.018A	9934581	4.015H	9935280	0.296	9936537	0.099	9936842	3.725
9933745	4.018B	9934587	2.188	9935281	0.296	9936537	0.101	9936859	0.033
9933746	4.018A	9934625	5.871	9935282	0.296	9936537	0.103	9936860	0.033
9933746	4.018B	9934640	2.682	9935284	0.297	9936538	0.094	9936861	0.033
9933746	4.018U	9934641	2.682	9935285	0.297	9936539	0.096	9936862	0.033
9933747	4.018A	9934642	2.679	9935286	0.297	9936539	0.099	9936864	0.033
9933747	4.018B	9934643	2.679	9935287	0.297	9936539	0.101	9936865	0.033
9933747	4.018U	9934675	3.402	9935288	0.297	9936539	0.103	9936866	0.033
9933750	6.524	9934700	8.304	9935512	9.276	9936544	0.094	9936869	0.033
9933751	6.518	9934915	9.278	9935513	9.276	9936545	0.096	9936870	0.033
9933764	7.345	9934920	8.823	9935551	5.011	9936545	0.099	9936871	0.033
9933765	7.345	9934921	8.823	9935552	5.011	9936545	0.101	9936872	0.033
9933766	7.345	9934922	8.823	9935578	7.347	9936545	0.103	9936873	0.033
9933767	7.345	9934923	8.823	9935829	11.420	9936550	0.094	9936874	0.033
9933785	8.055	9934941	1.066	9935830	11.373	9936551	0.096	9936875	6.008
9933823	1.159	9934968	0.429	9936087	3.028	9936551	0.099	9936876	0.033
9933839	3.459	9934969	0.429	9936304	3.265	9936551	0.101	9936887	3.704
9933853	15.290	9934970	0.429	9936331	9.169	9936551	0.103	9936890	3.704
9933934	12.982	9934971	0.429	9936333	9.169	9936556	0.094	9936891	3.704
9933935	4.081F	9934972	0.429	9936334	9.195	9936557	0.096	9936895CLR	9.684
9933937	12.982	9935009	4.826	9936335	9.169	9936557	0.099	9936895TNT	9.684
9933951	3.459	9935010	4.826	9936336	9.169	9936557	0.101	9936896CLR	9.684
9933970	15.290	9935014	8.132	9936338	9.169	9936557	0.103	9936896TNT	9.684
9934004	4.901	9935014	12.967	9936339	9.169	9936570	0.629	9936906	9.169
9934046	9.262	9935024	3.402	9936340	9.169	9936571	0.629	9936907	9.169
9934096	4.081U	9935027	1.762	9936341	9.169	9936572	0.629	9936908	9.169
9934115	9.220	9935030	6.524	9936352	12.952	9936573	0.629	9936909	9.169

NUMERICAL INDEX

HOLDEN "LH" PARTS CATALOGUE

PART No.	GROUP	PART No.	GROUP	PART No.	GROUP	PART No.	GROUP	PART No.	GROUP
9936910	12.955	9937318	4.680	9937500ET	15.035	9937814	4.040U	9938783	10.701
9936917	3.001	9937336	4.006F	9937501CY	15.035	9937816	4.081U	9938794	14.798
9936921	12.030	9937337	4.006F	9937501DE	15.035	9937868	0.000	9938795	14.798
9936932	12.811	9937338	4.006F	9937501DF	15.035	9937869	0.033	9938796	14.798
9936933	12.811	9937360	4.628	9937501DG	15.035	9937871	0.033	9938797	15.040
9936935	4.038U	9937361	4.662	9937501DR	15.035	9937872	0.033	9938798	14.798
9936961	3.201	9937365	0.000	9937501DT	15.035	9937874	0.033	9938799	15.040
9936978	4.038U	9937383	3.791	9937501DU	15.035	9937894	0.000	9938893	12.942
9936979	4.156U	9937391	4.006F	9937501DV	15.035	9937895	0.000	9938898	5.469
9936982	0.659	9937392	4.006F	9937501DW	15.035	9937896	0.000	9938942	3.787
9937001	9.169	9937403	3.163	9937502	15.036	9937902	0.616	9938966	4.233U
9937002	9.169	9937408	4.003F	9937503	15.036	9937903	0.616	9939018	3.120
9937024	1.064	9937417	0.333	9937531	4.265U	9937904	1.219	9939098	8.823
9937026	4.003F	9937421	3.158	9937548	8.823	9937905	1.219	9939317	9.170
9937027	4.003F	9937423	9.171	9937549	3.130	9937924	0.105	9939318	9.170
9937028	4.003F	9937424	0.027	9937561	2.731	9937944	6.524	9939353	4.195U
9937029	4.003F	9937425	9.171	9937562	9.632	9937965	9.171	9939384	1.610
9937107	8.823	9937480	11.610	9937565	10.185	9937966	9.171	9939385	1.270
9937120	3.925	9937489	11.611	9937595	0.000	9937967	9.171	9939386	1.270
9937125	4.006F	9937497CY	15.035	9937596	0.000	9937968	9.171	9939387	1.270
9937126	4.006F	9937497DC	15.035	9937597	0.000	9938010	9.171	9939388	1.270
9937129	1.270	9937497DE	15.035	9937598	0.000	9938052	4.685	9939393	7.347
9937130	1.219	9937497DF	15.035	9937600	0.000	9938053	4.685	9939447	4.081F
9937131	1.219	9937497DG	15.035	9937622	9.171	9938054	4.685	9939483	4.351F
9937149	3.601	9937497DR	15.035	9937627	8.132	9938055	4.685	9939484	4.421F
9937150	3.601	9937497DT	15.035	9937627	12.116	9938079	4.127U	9939593	14.798
9937151	3.609	9937497DU	15.035	9937629	3.725	9938080	3.410	9939594	14.798
9937152	3.609	9937497DV	15.035	9937630	0.429	9938081	3.410	9939595	14.798
9937155	3.611	9937497DW	15.035	9937631	9.648	9938107	7.347	9939596	14.798
9937157	3.609	9937498CY	15.035	9937632	3.003	9938112	7.347	9939600	15.040
9937159	9.648	9937498DC	15.035	9937634	3.726	9938144	1.159	9939601	15.040
9937160	9.648	9937498DE	15.035	9937635	3.726	9938154	4.902	9939651	3.265
9937162	3.001	9937498DF	15.035	9937636	3.120	9938155	4.902	9939652	3.265
9937169	6.307	9937498DG	15.035	9937659	2.424	9938160	4.904	9939653	3.265
9937176	6.168	9937498DR	15.035	9937685	3.120	9938167	9.170	9939704	10.270
9937177	6.168	9937498DT	15.035	9937686	3.120	9938208	3.120	9939706	10.270
9937214	9.276	9937498DU	15.035	9937689	3.120	9938211	1.540	9939717	9.169
9937217	9.169	9937498DV	15.035	9937690	3.120	9938227	2.515	9939728	3.265
9937221	0.629	9937498DW	15.035	9937691	3.120	9938228	2.515	9939801	1.803
9937223	0.629	9937499CY	15.035	9937699	0.519	9938229	2.515	9939804	1.652
9937225	0.629	9937499DC	15.035	9937701	0.659	9938230	2.515	9939805	1.723
9937227	0.629	9937499DF	15.035	9937702	1.540	9938279	2.239	9939822	1.069
9937229	0.629	9937499DG	15.035	9937703	1.540	9938363	11.388	9939823	1.653
9937231	0.629	9937499DR	15.035	9937704	3.430	9938364	11.388	9939845	1.762
9937233	3.163	9937499DT	15.035	9937705	3.430	9938377	0.852	9940309	8.130
9937237	3.430	9937499DU	15.035	9937712	1.762	9938402	12.982	9940310	12.940
9937238	3.430	9937499DV	15.035	9937713	3.402	9938403	9.171	9940311	12.940
9937240	3.611	9937500CY	15.035	9937714	3.130	9938532	1.219	9940336	2.515
9937264	3.270	9937500DC	15.035	9937771	3.120	9938612	14.798	9940337	2.515
9937267	0.105	9937500DF	15.035	9937772	3.120	9938613	14.798	9940338	2.515
9937268	0.105	9937500DG	15.035	9937775	3.130	9938614	14.798	9940392	15.290
9937273	2.342	9937500DR	15.035	9937778	4.265U	9938615	14.798	9940571	8.823
9937274	2.341	9937500DT	15.035	9937783	3.120	9938616	14.798	9940575	4.104U
9937276	9.276	9937500DU	15.035	9937784	3.120	9938617	14.798	9940576	4.104U
9937286	2.361	9937500DV	15.035	9937785	3.120	9938681	15.222	9940585	3.402
9937294	6.326	9937500DW	15.035	9937787	9.180	9938689	7.370	11071271	4.307H
9937314	12.940	9937500EN	15.035	9937788	0.659	9938696	11.204	11071271	4.309H
9937315	12.940	9937500EP	15.035	9937792	3.748	9938702	11.561	11073921	4.081H
9937316	12.940	9937500ER	15.035	9937803	4.317U	9938774	3.265	11078481	0.659
9937317	12.940	9937500ES	15.035	9937806	4.317U	9938775	3.265	11078501	9.171

HOLDEN "LH" PARTS CATALOGUE

PART No.	GROUP	PART No.	GROUP	PART No.	GROUP	PART No.	GROUP	PART No.	GROUP
170506393.727	2825829DX15.306						
170506403.727	2825830DX15.286						
170506413.725	2825923DX15.286						
170506423.725	9933706CLP12.116						
170515993.763								
170527893.748								
170527953.725								
170527963.725								
SP1838DX15.024								
2824895DX15.024								
2825009DX14.655								